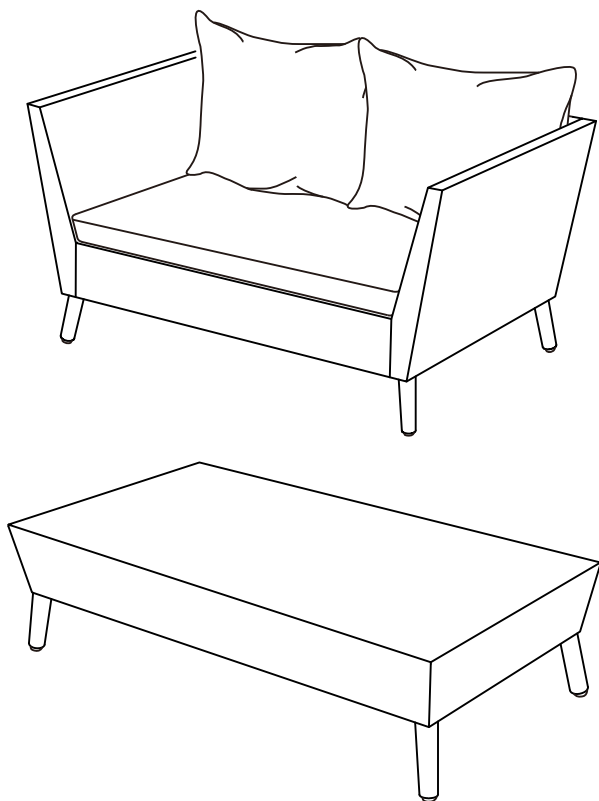
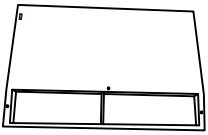
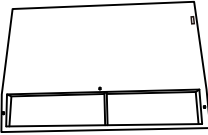
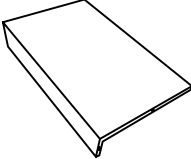
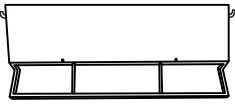
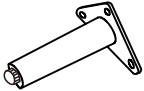
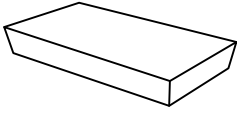
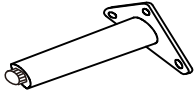
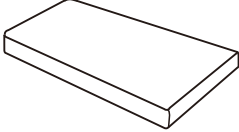
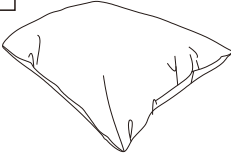


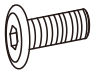
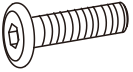


Outdoor Wicker Loveseat & Coffee Table



PART LIST

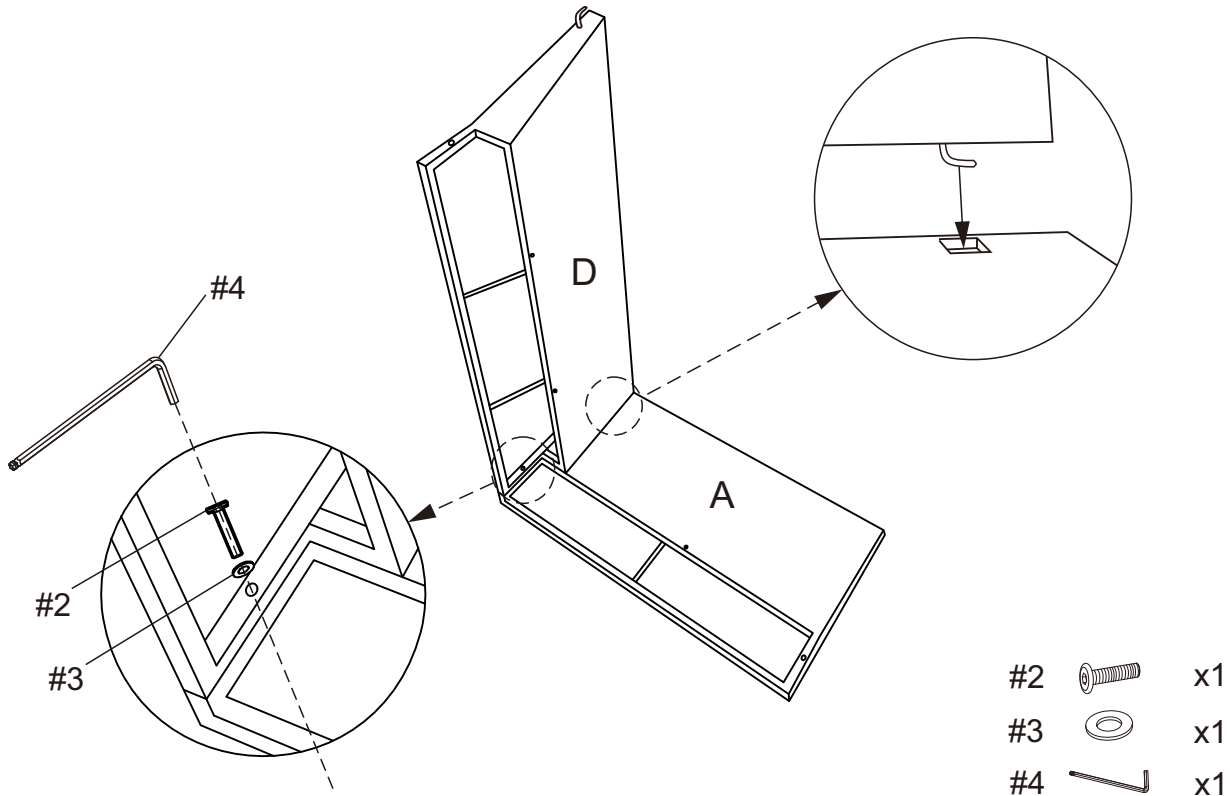
<p>A</p> 	<p>B</p> 	<p>C</p> 	<p>D</p> 	<p>E</p> 
<p>Right Arm Panel 1 PC</p>	<p>Left Arm Panel 1 PC</p>	<p>Seat Panel 1 PC</p>	<p>Back Panel 1 PC</p>	<p>Leg 4 PCS</p>
<p>F</p> 	<p>G</p> 	<p>H</p> 	<p>I</p> 	
<p>Table Panel 1 PC</p>	<p>Table Leg 4 PCS</p>	<p>Seat Cushion 1 PC</p>	<p>Back Cushion 2 PCS</p>	

HARDWARE LIST

<p>#1</p>  <p>M6*15mm</p>	<p>#2</p>  <p>M6*30mm</p>	<p>#3</p>  <p>M6mm</p>	<p>#4</p>  <p>M6mm</p>
<p>Short Bolt 24 PCS (Extra 1)</p>	<p>Long Bolt 8 PCS (Extra 1)</p>	<p>Flat Washer 32 PCS (Extra 1)</p>	<p>Allen Wrench 1 PC</p>

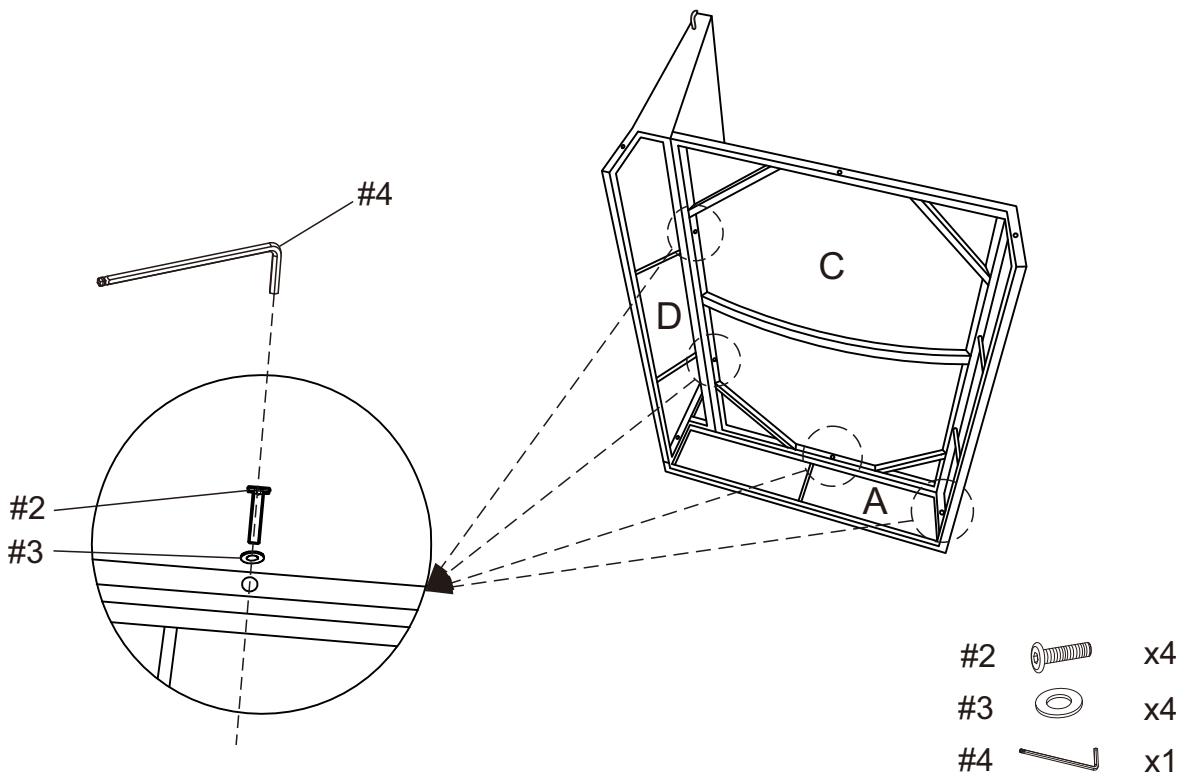
Step 1. Lay right arm panel (part A) upside down on a soft flat surface, such as carpet, as shown below. Attach back panel (part D) to right arm panel (part A) using long bolt (part #2), flat washer (part #3) and allen wrench (part #4).

NOTE: Please do not fully tighten bolts until unit is fully assembled.



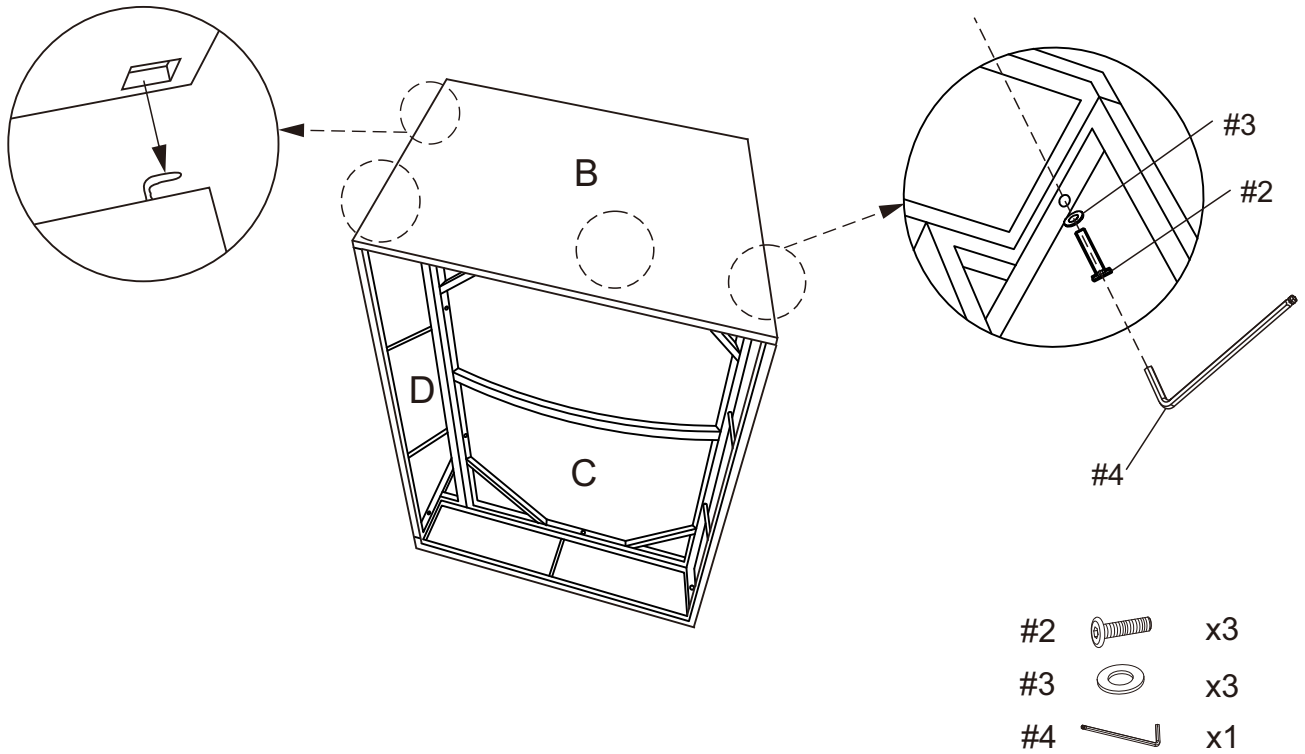
Step 2. Attach seat panel (part C) to right arm panel (part A) and back panel (part D) using long bolts (part #2), flat washers (part #3) and allen wrench (part #4).

NOTE: Please do not fully tighten bolts until unit is fully assembled.



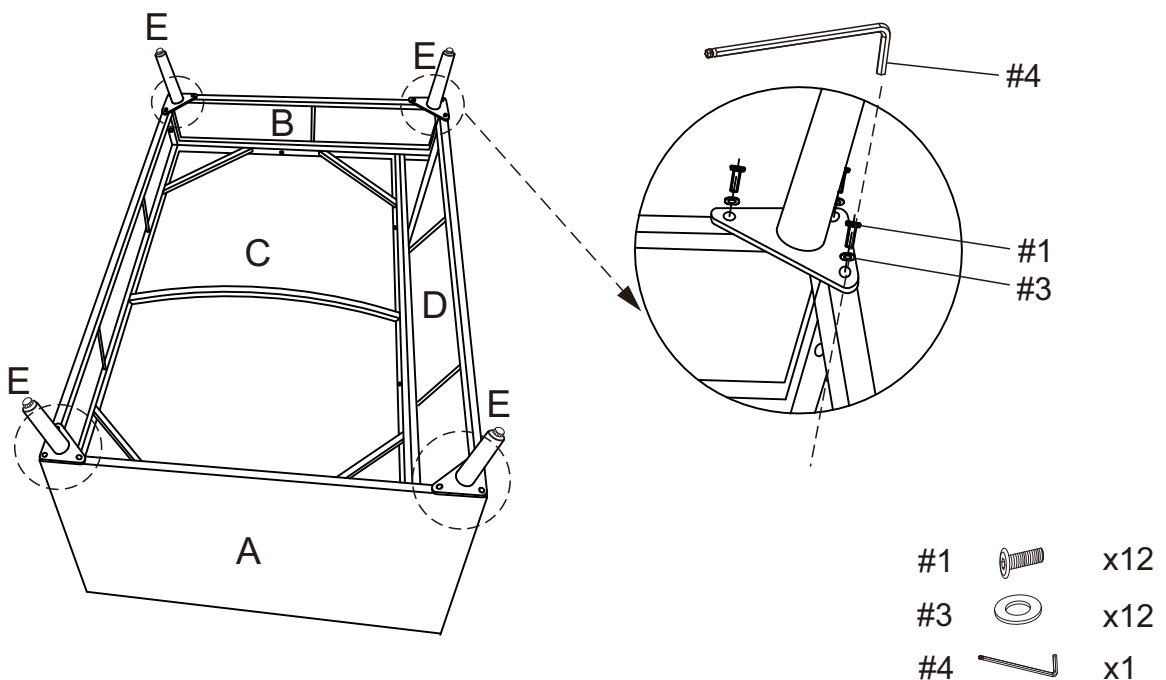
Step 3. Attach left arm panel (part B) to back panel (part D) and seat panel (part C) using long bolts (part #2), flat washers (part #3) and allen wrench (part #4).

NOTE: Please do not fully tighten bolts until unit is fully assembled.

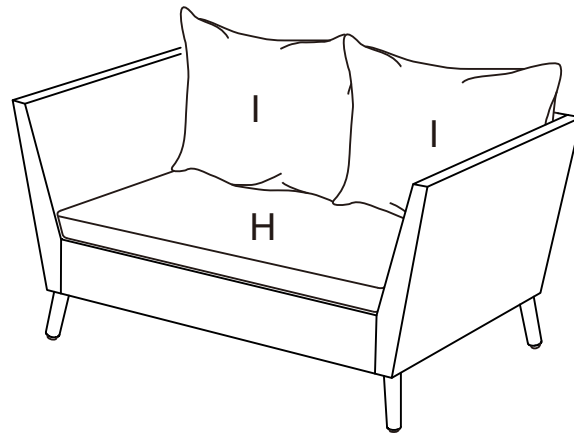


Step 4. Carefully turn assembled unit upside down. Attach legs (part E) to assembled unit (parts A, B & D) using short bolts (part #1), flat washers (part #3) and allen wrench (part #4).

NOTE: Please fully tighten all bolts at this time.

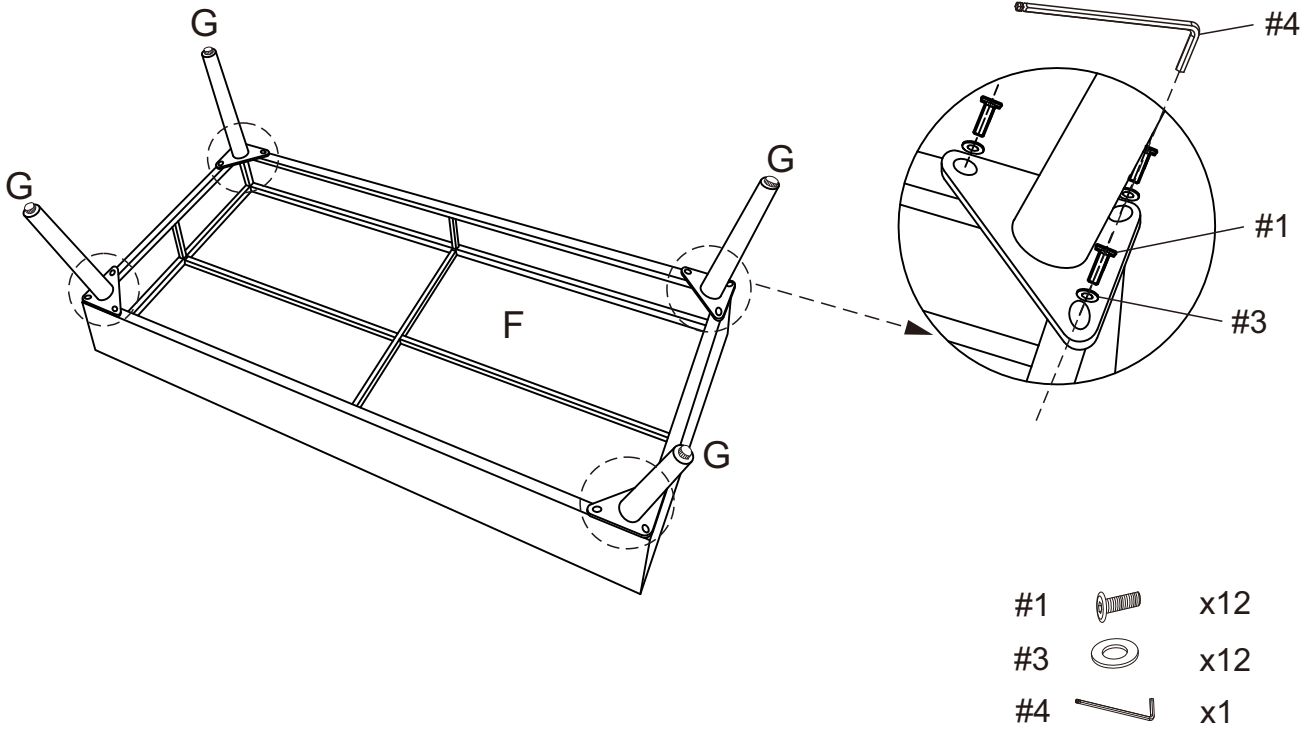


Step 5. Carefully turn unit upright. Add seat cushion (part H) and back cushions (part I) as shown below.



Step 6. Lay table panel (part F) upside down on a soft flat surface, such as carpet, as shown below. Attach table legs (part G) to table panel (part F) using short bolts (part #1), flat washers (part #3) and allen wrench (part #4).

NOTE: Please fully tighten all bolts at this time.



Step 7. Carefully turn assembled unit upright as shown below.

