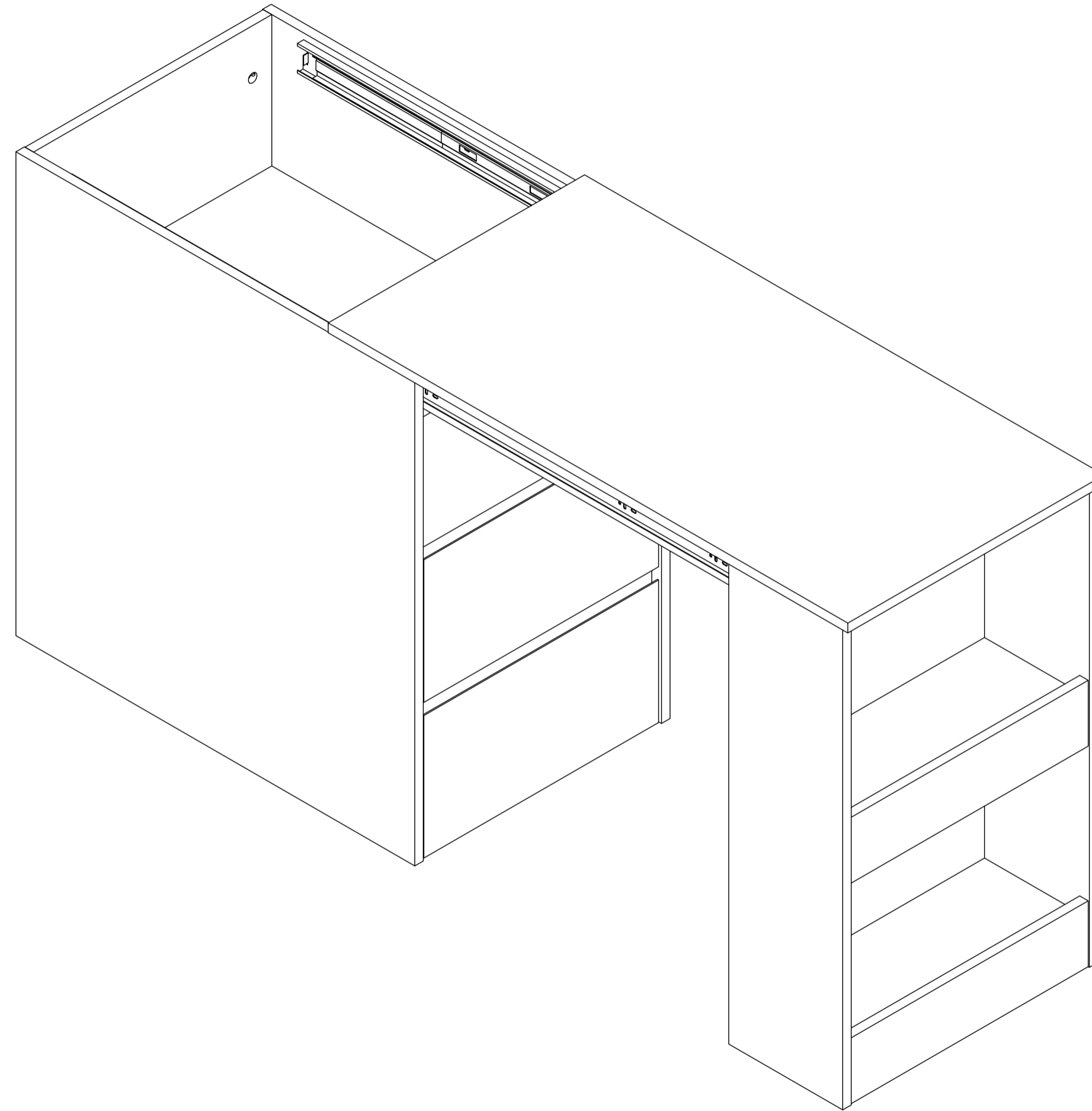


# Installation & Assembly

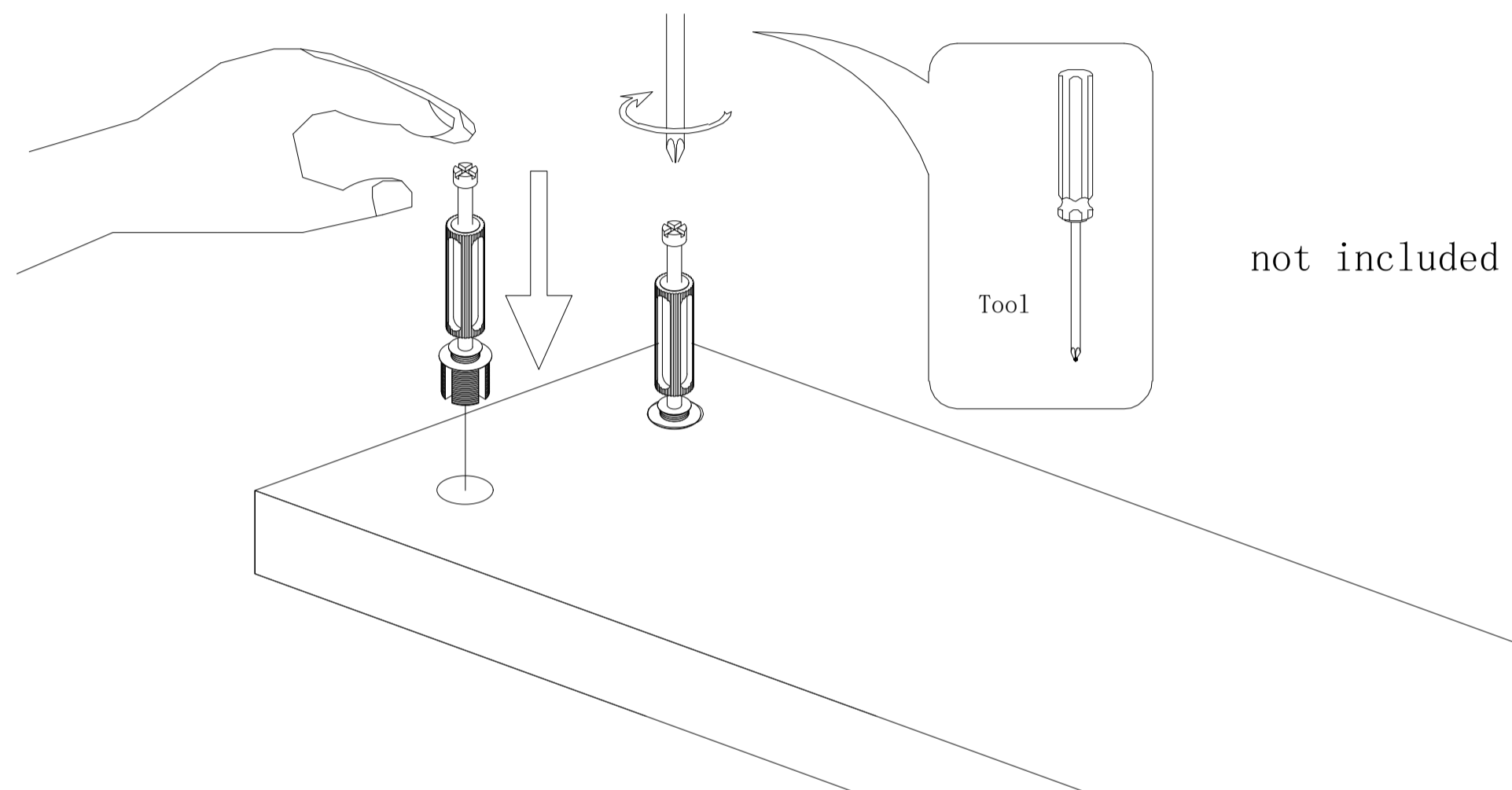




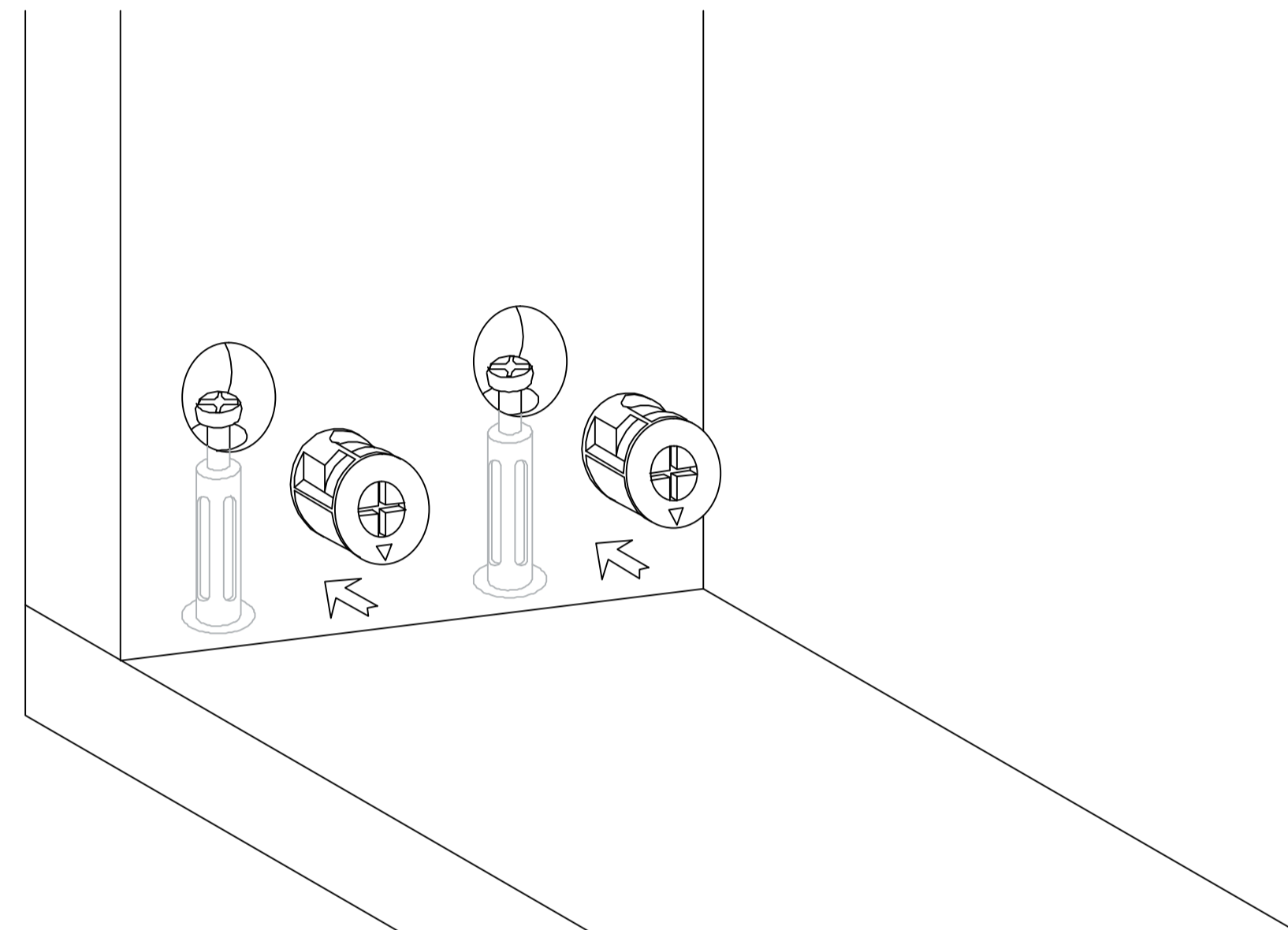
# Hardware installation demonstration

NOTE: Please make sure "A" hardware tightened and can't be pulled out!

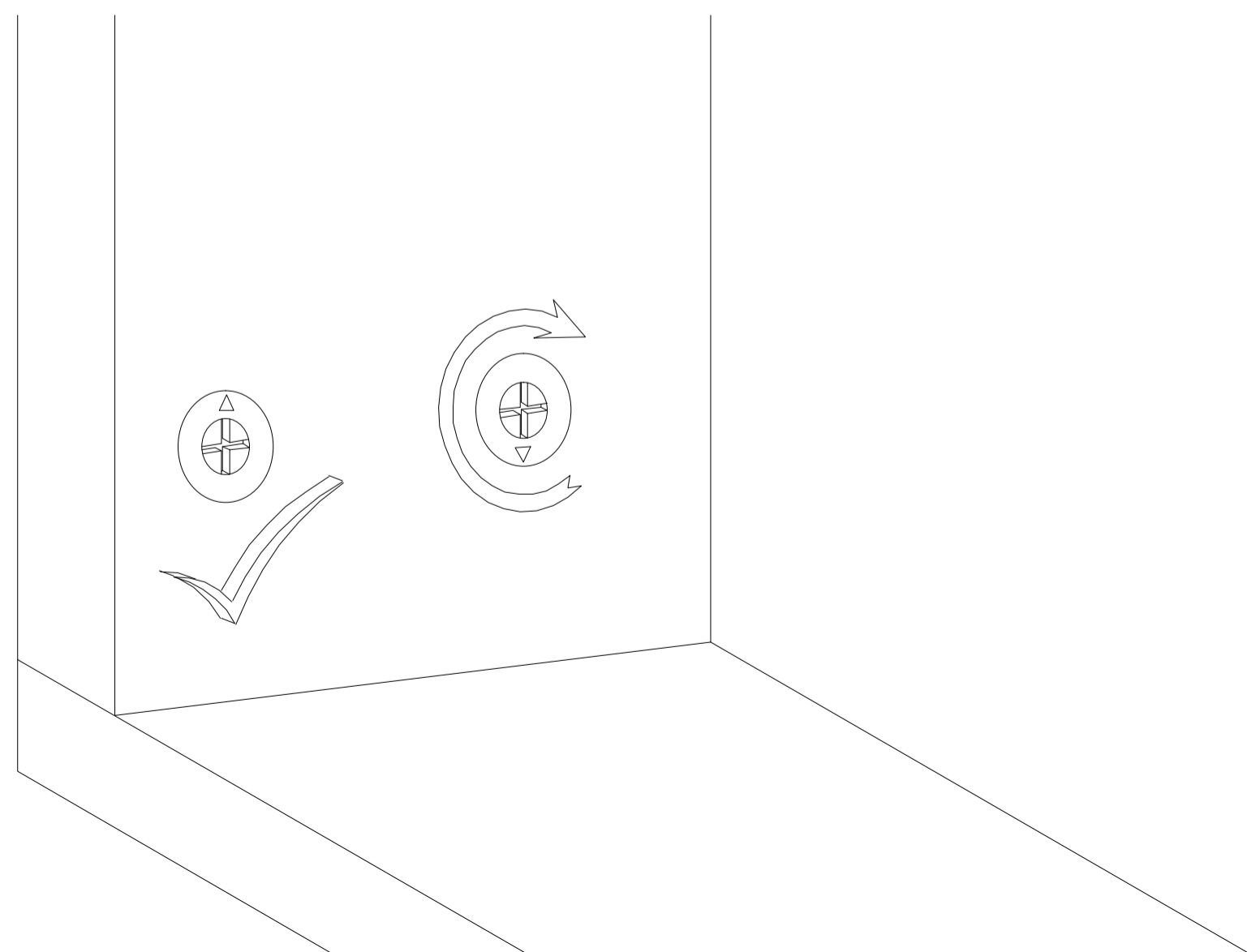
I

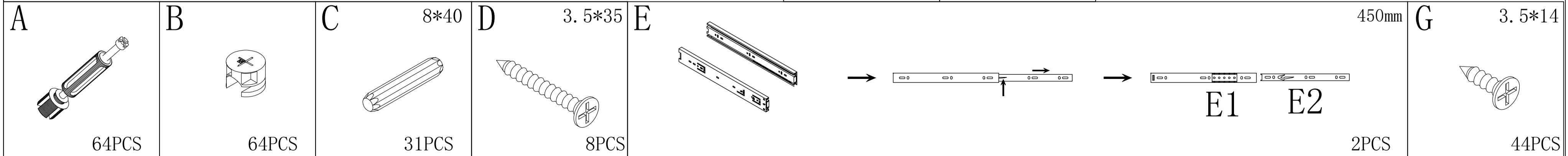
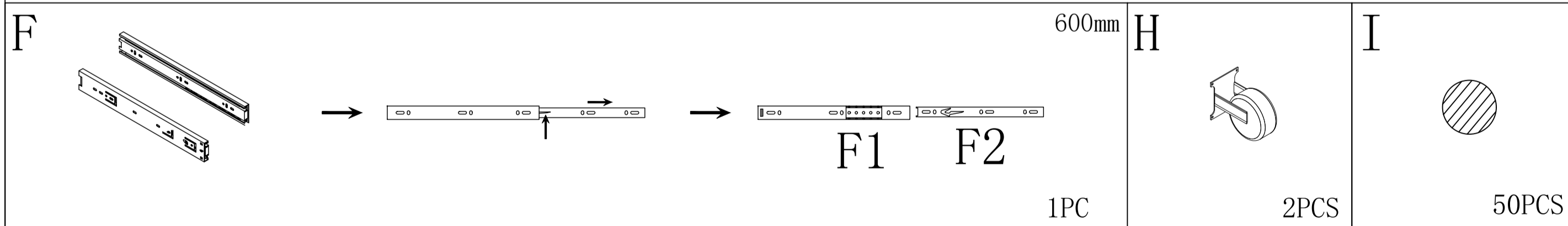
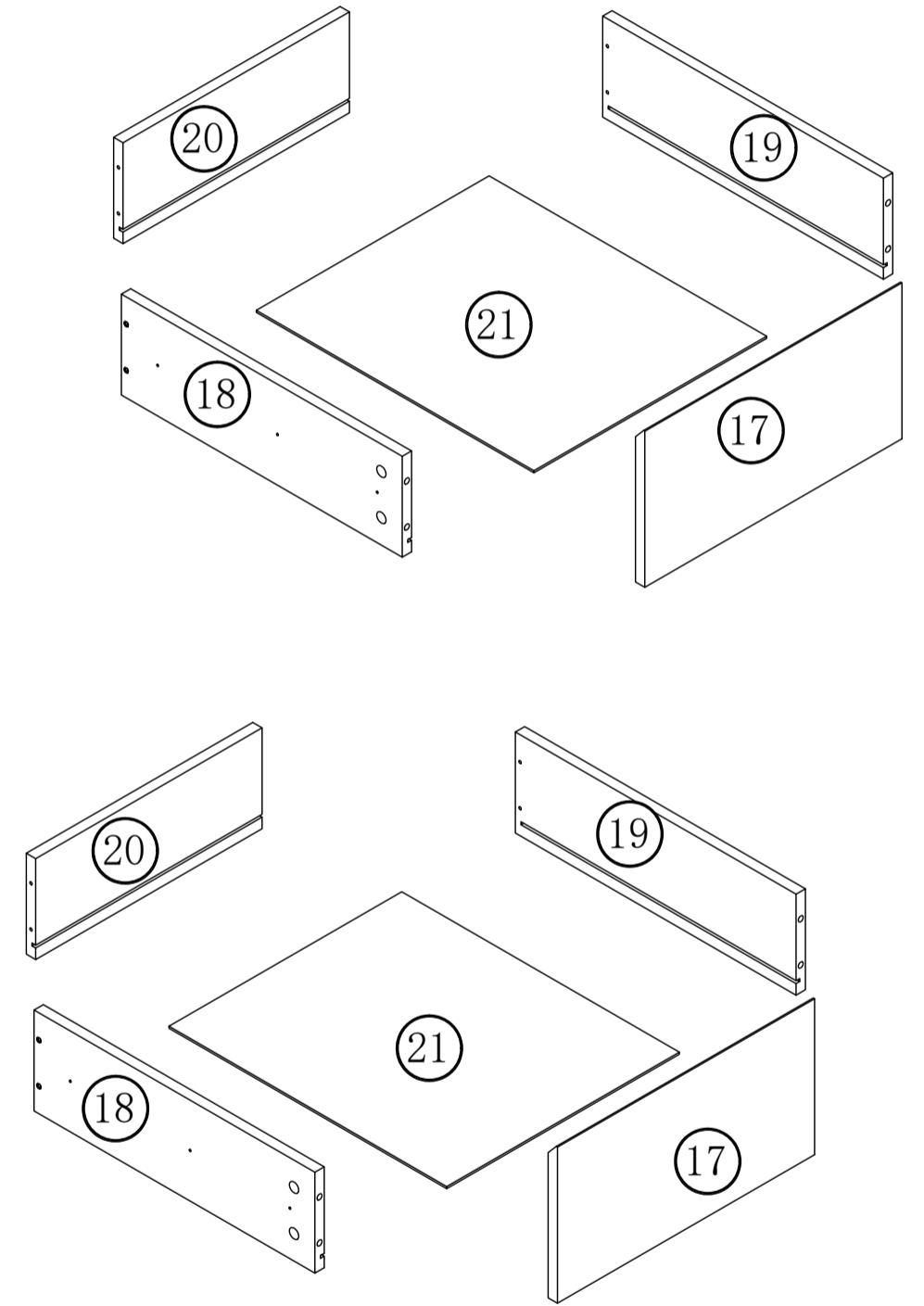
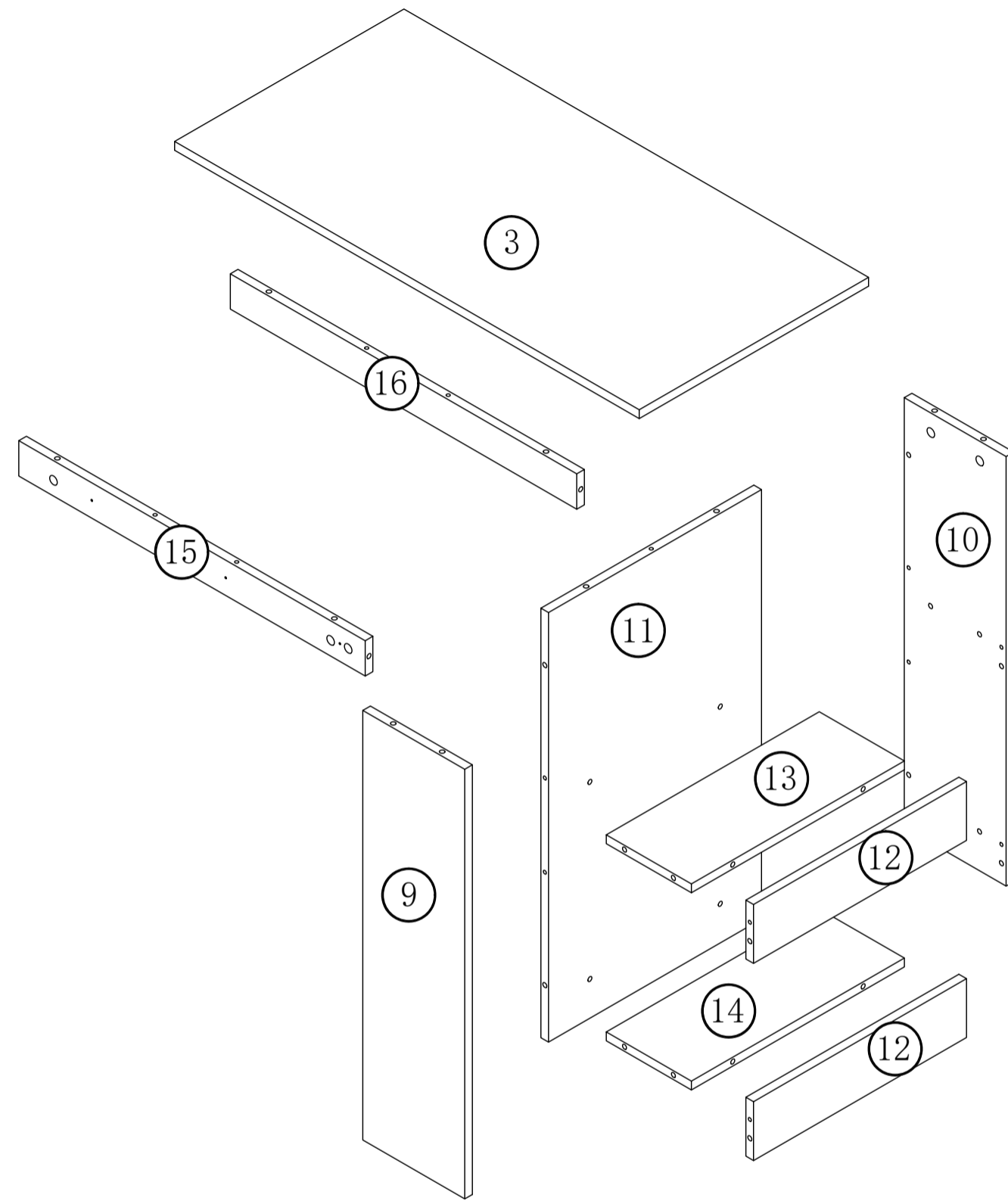
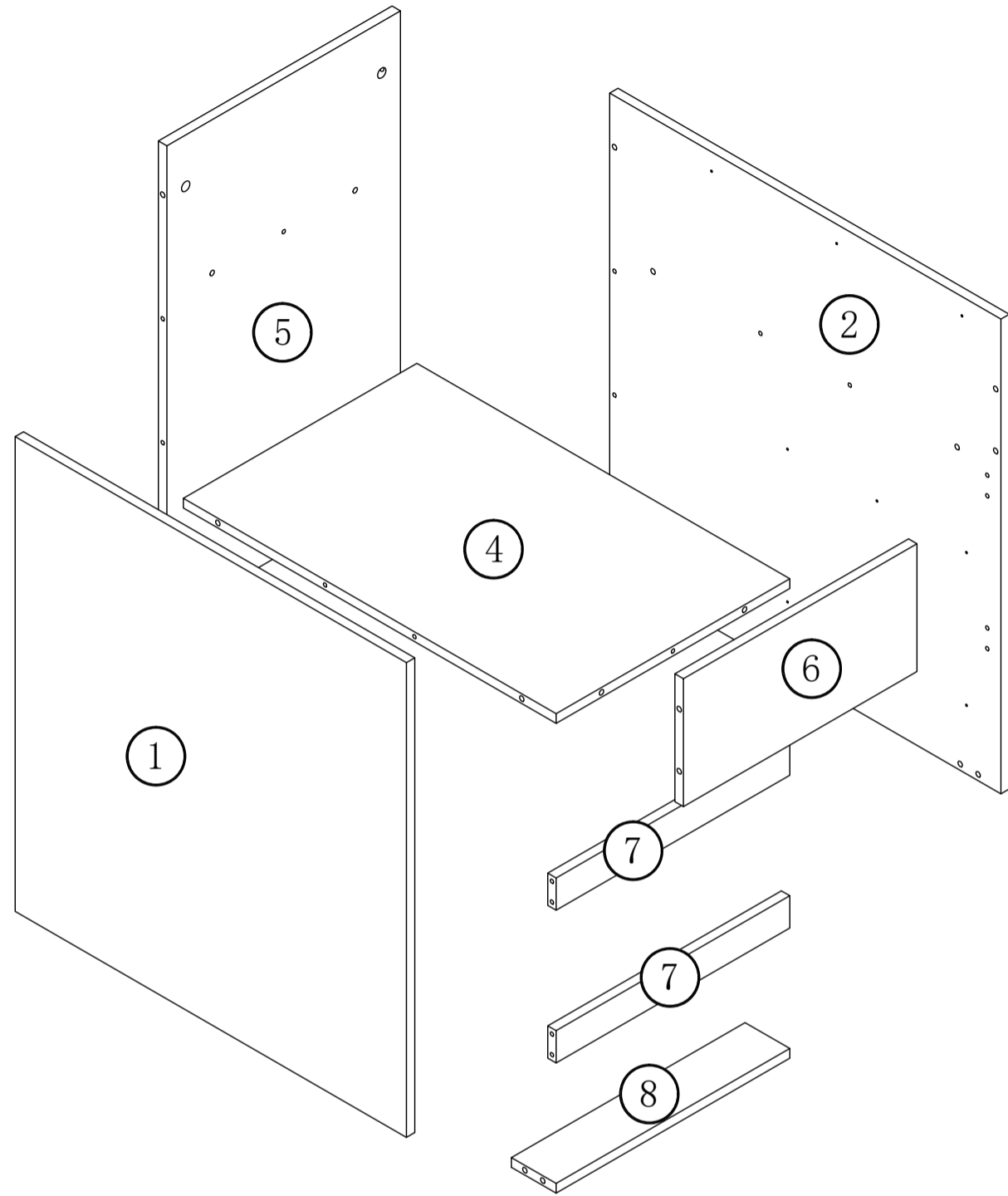


II

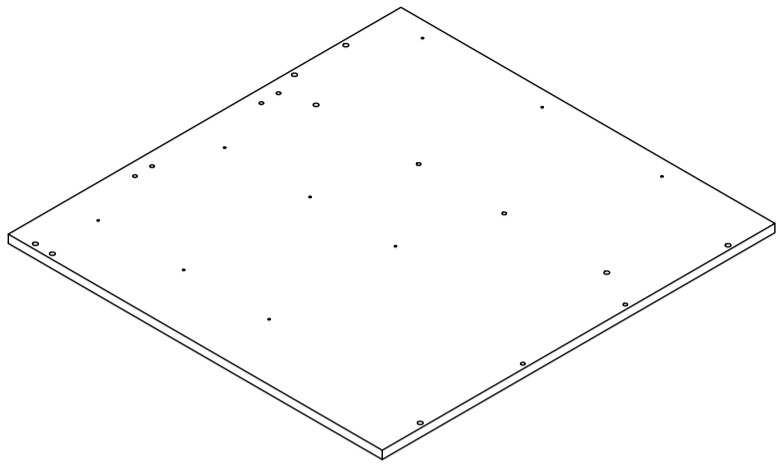


III

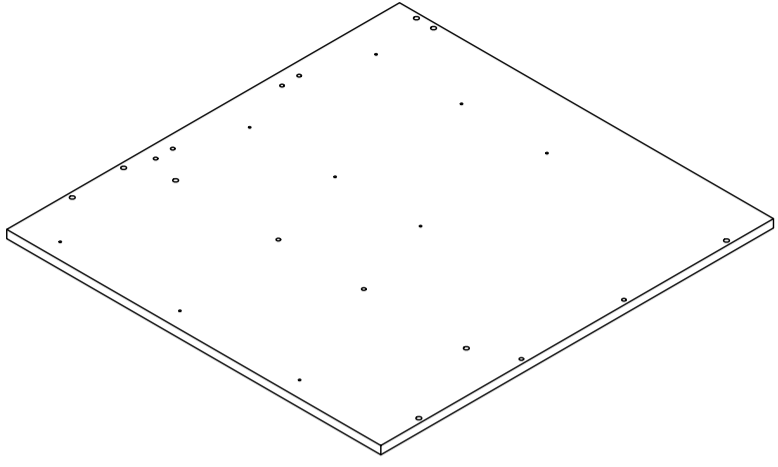




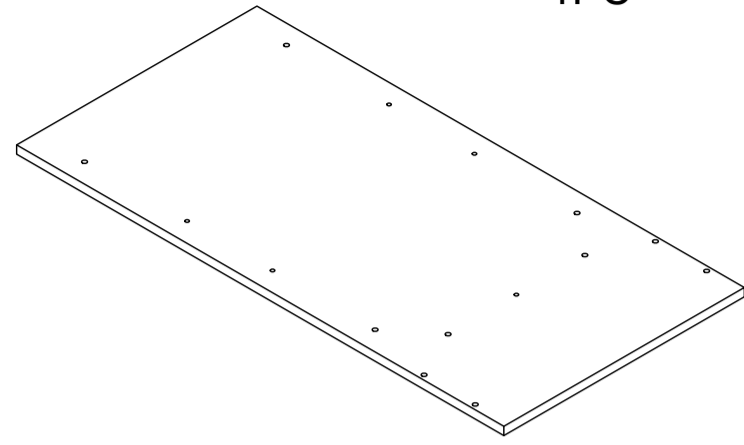
1  
735\*700(mm)  
28.94\*27.56(inch)  
1PC



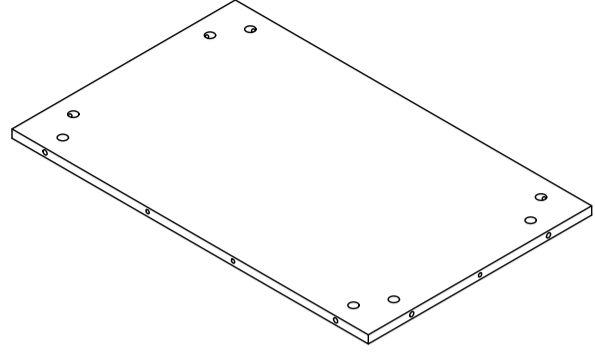
2  
735\*700(mm)  
28.94\*27.56(inch)  
1PC



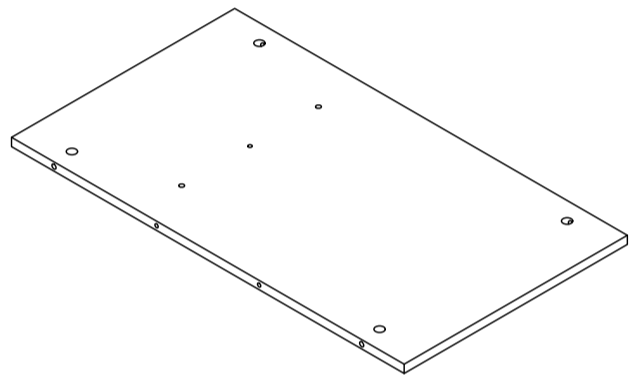
3  
912\*450(mm)  
35.91\*17.72(inch)  
1PC



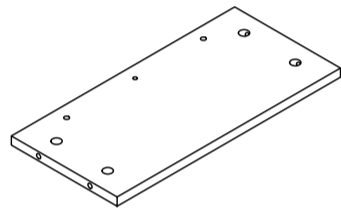
4  
667\*418(mm)  
26.26\*16.46(inch)  
1PC



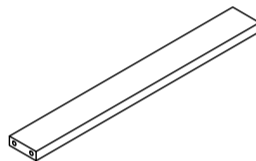
5  
735\*418(mm)  
28.94\*16.46(inch)  
1PC



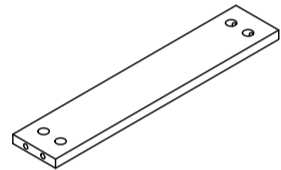
6  
418\*198(mm)  
16.46\*7.8(inch)  
1PC



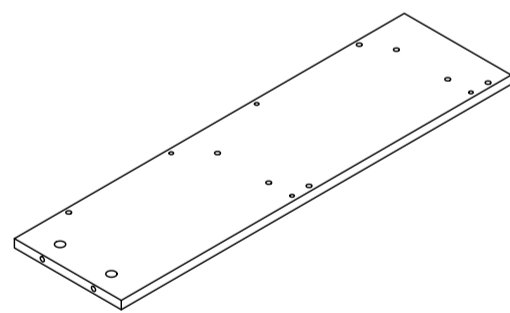
7  
418\*50(mm)  
16.46\*1.97(inch)  
2PCS



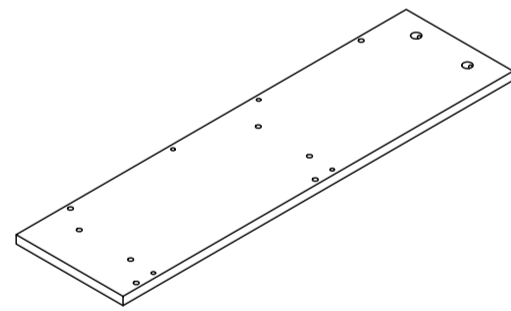
8  
418\*80(mm)  
16.46\*3.15(inch)  
1PC



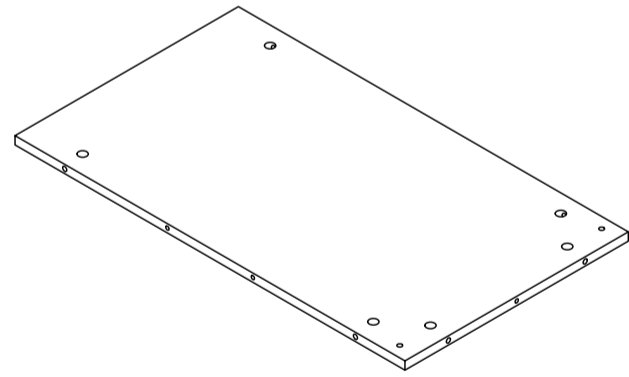
9  
730\*200(mm)  
28.74\*7.87(inch)  
1PC



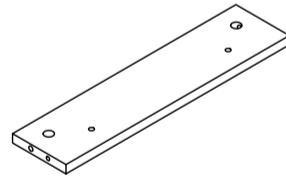
10  
730\*200(mm)  
28.74\*7.87(inch)  
1PC



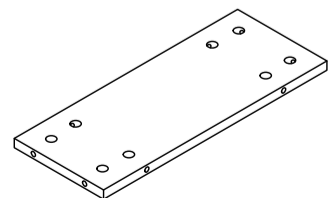
11  
730\*418(mm)  
28.74\*16.46(inch)  
1PC



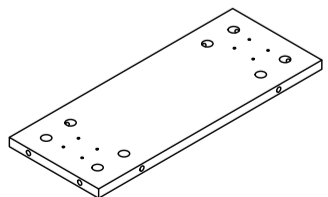
12  
418\*100(mm)  
16.46\*3.94(inch)  
2PCS



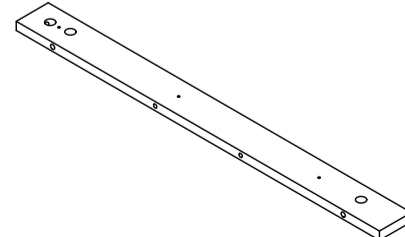
13  
418\*167(mm)  
16.46\*6.57(inch)  
1PC



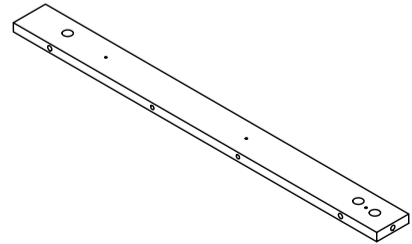
14  
418\*167(mm)  
16.46\*6.57(inch)  
1PC



15  
680\*60(mm)  
26.77\*2.36(inch)  
1PC

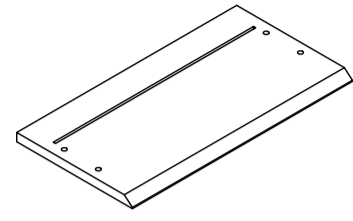


16  
680\*60(mm)  
26.77\*2.36(inch)  
1PC



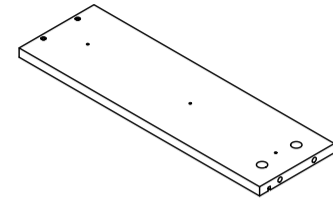
17

412\*216.5(mm)  
16.22\*8.52(inch)  
2PCS



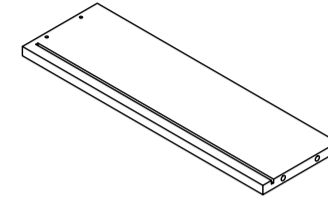
18

450\*140(mm)  
17.72\*5.51(inch)  
2PCS



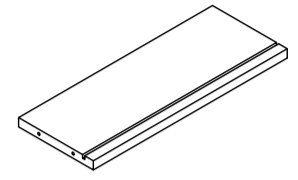
19

450\*140(mm)  
17.72\*5.51(inch)  
2PCS



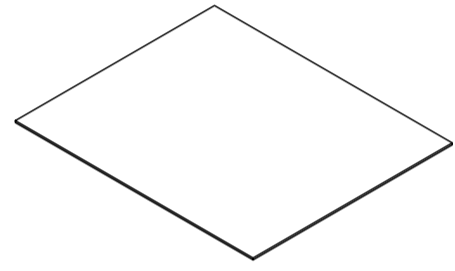
20

735\*700(mm)  
28.94\*27.56(inch)  
1PC

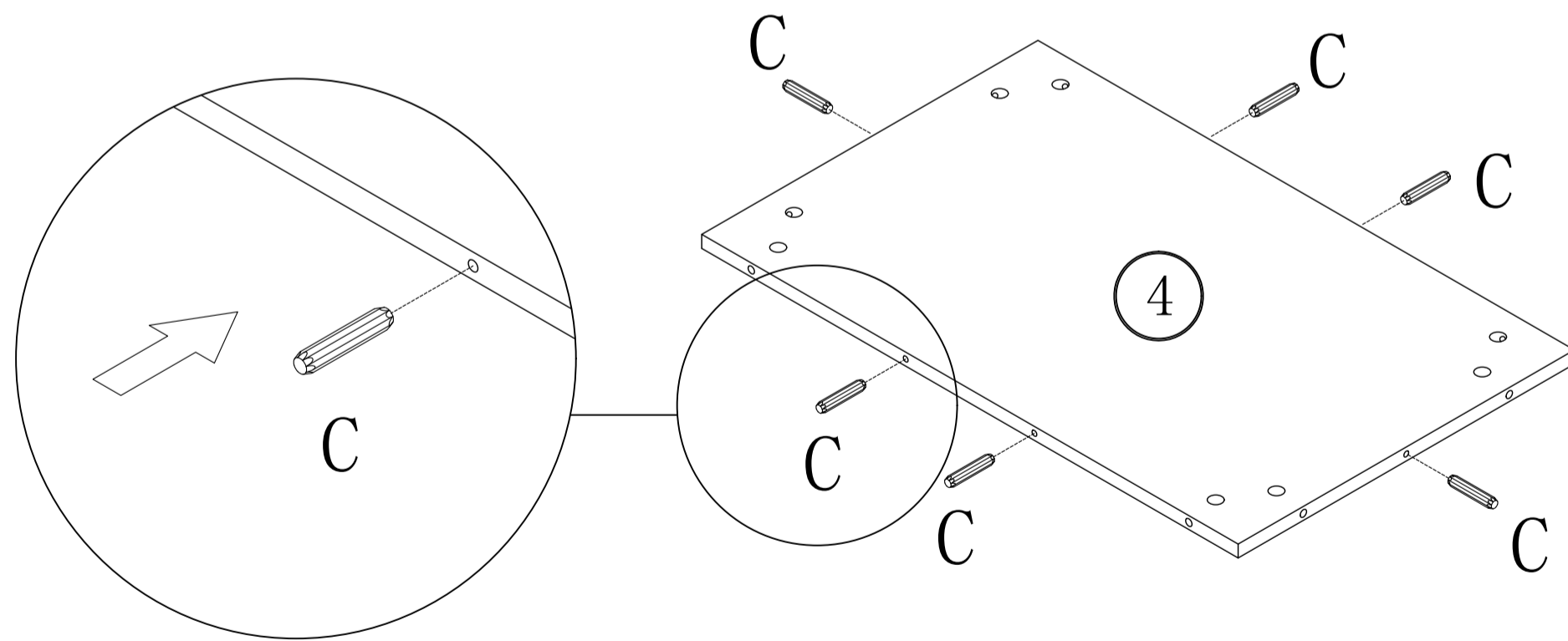
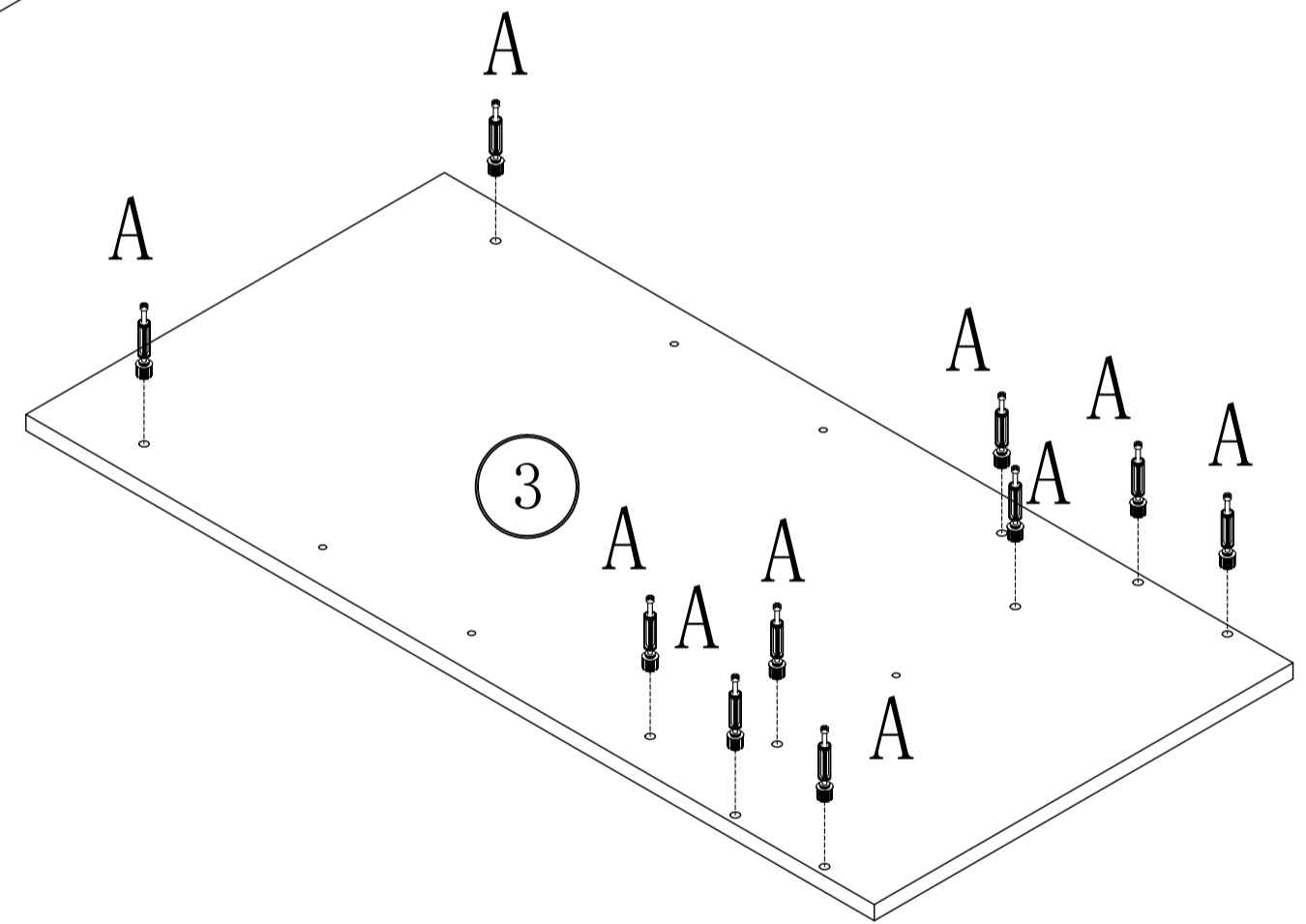
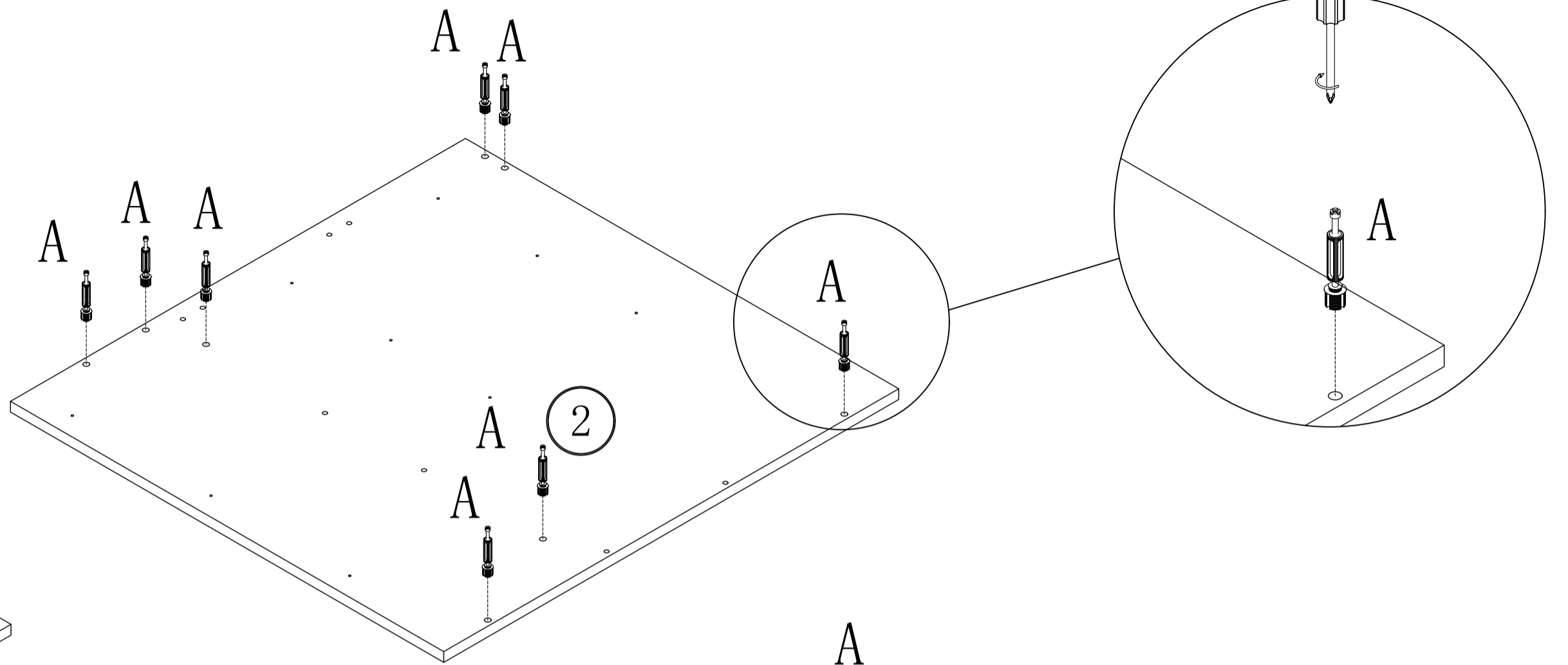
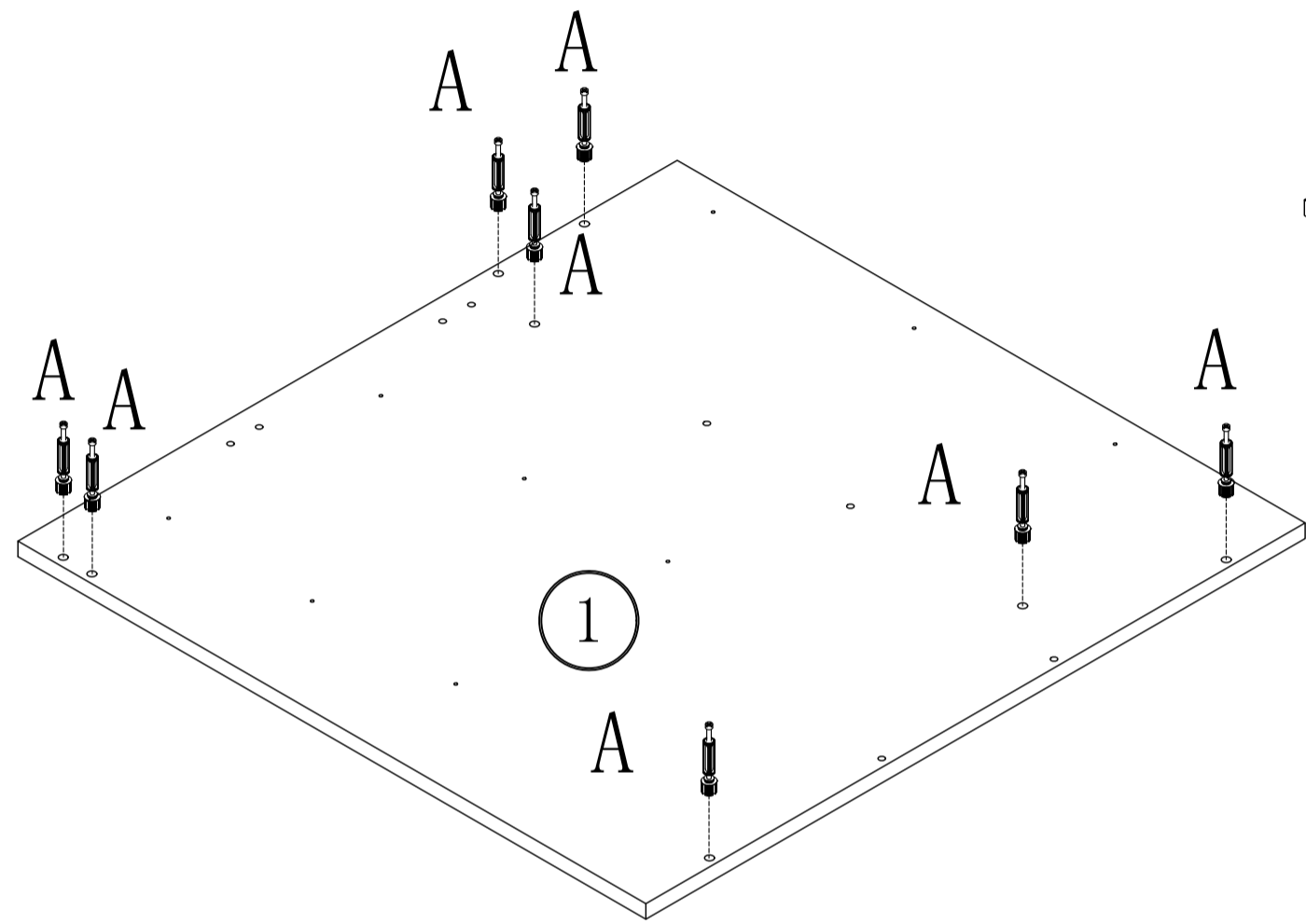


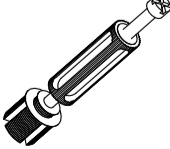
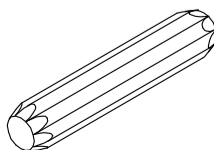
21

373\*445(mm)  
14.69\*17.52(inch)  
2PCS



1

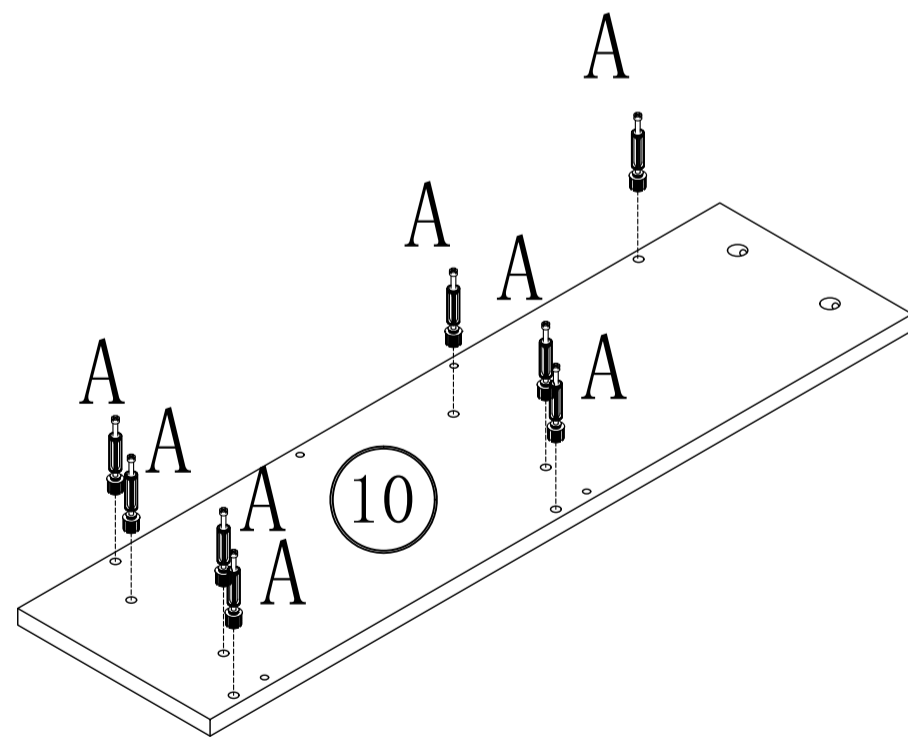
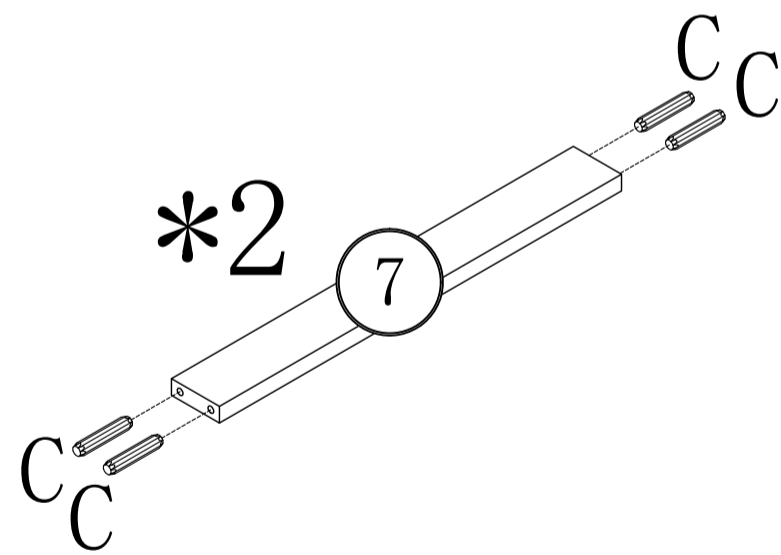
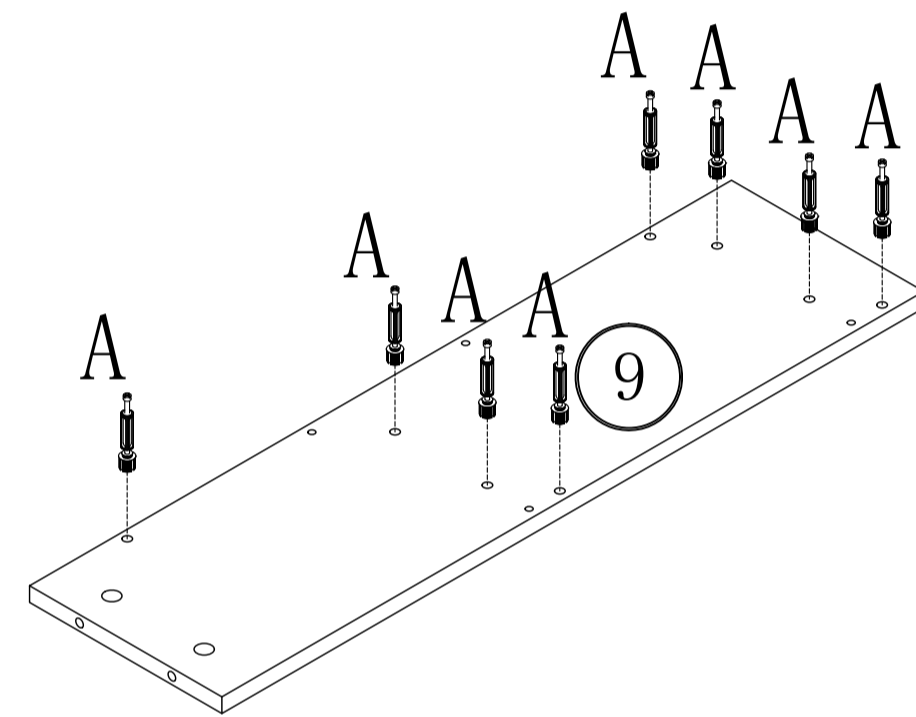
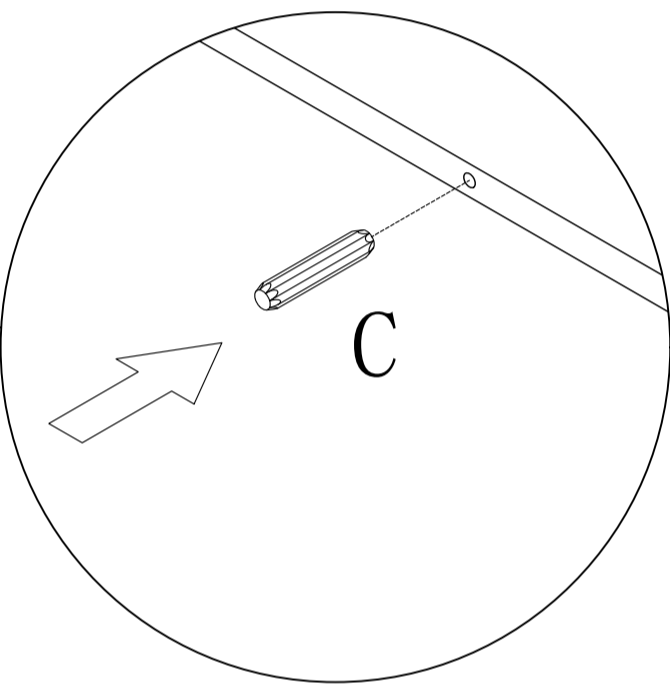
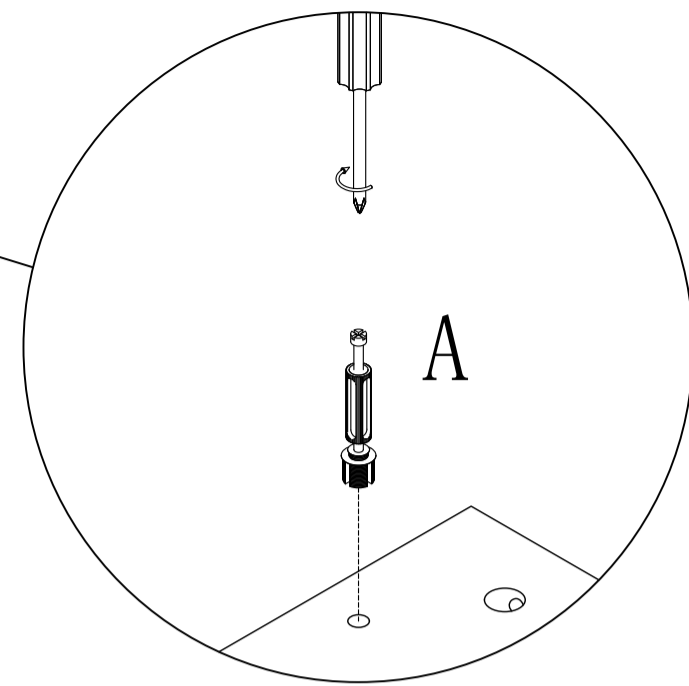
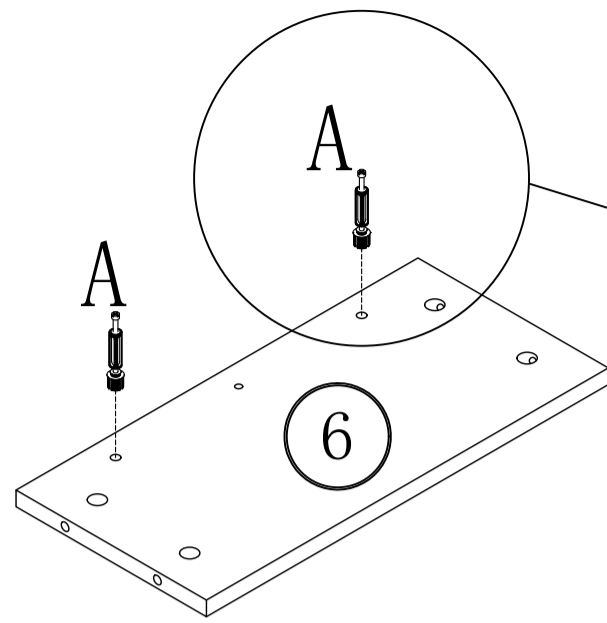
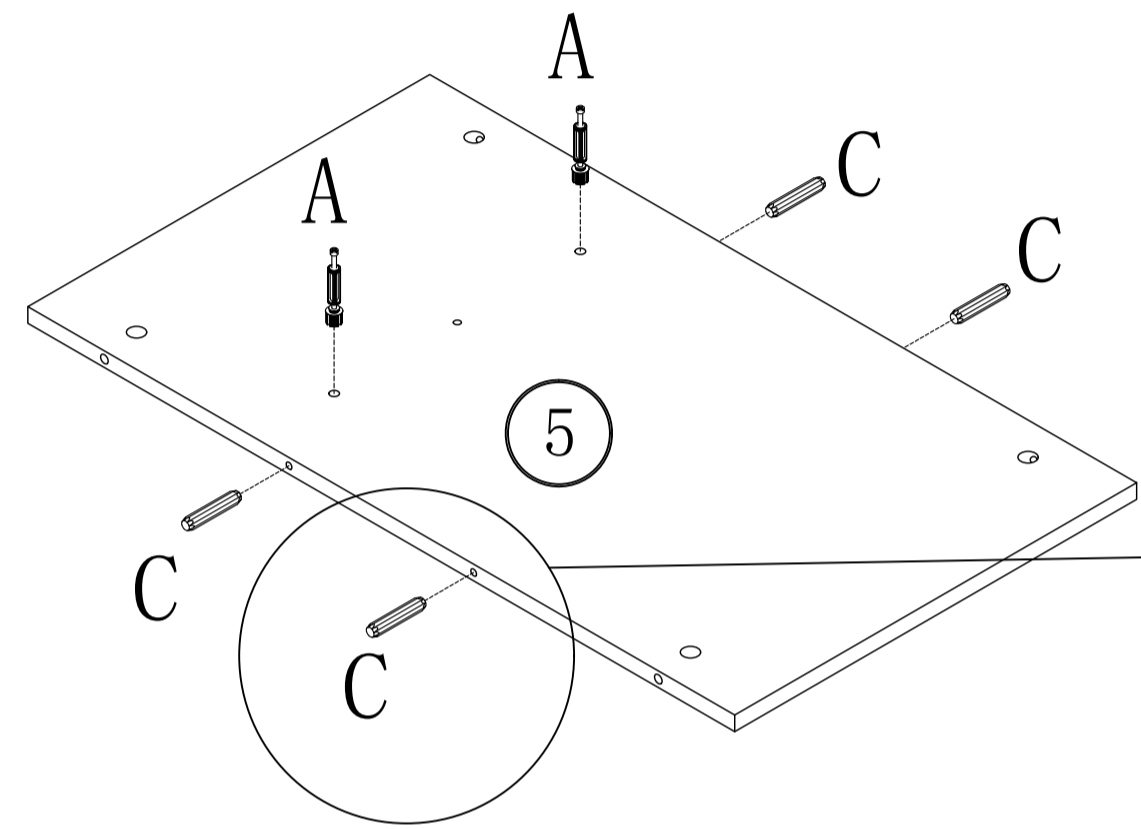


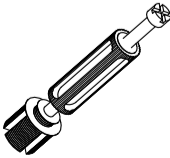
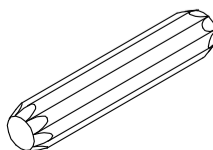
	A*26
	C*6

put A on board    ①    ②    ③  
 put C on board    ④



3

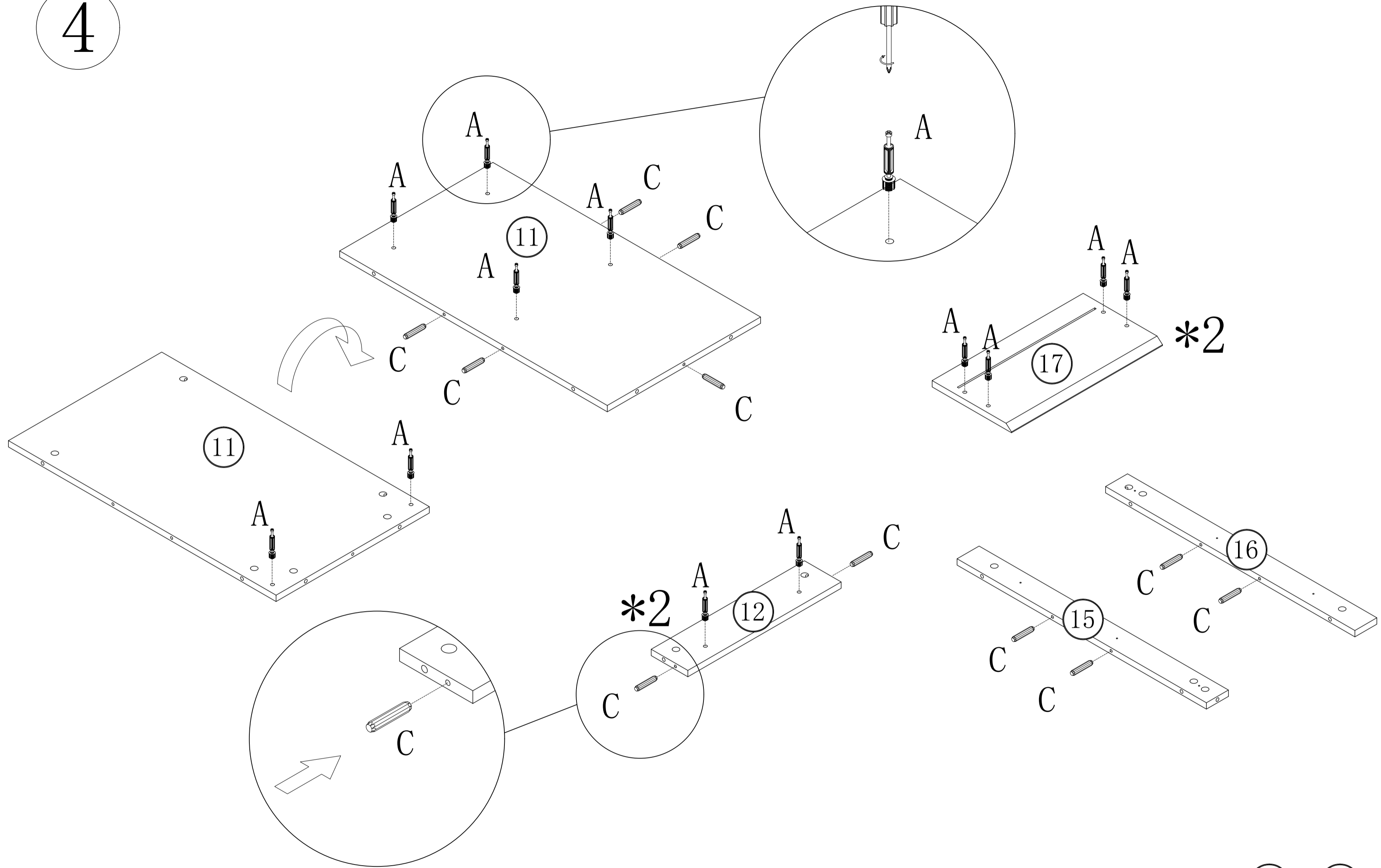


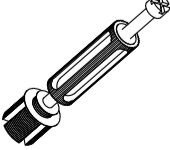
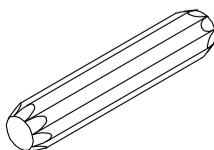
	A*20
	C*12

put A on board    (5)    (6)    (9)    (10)

put C on board    (5)    (7)

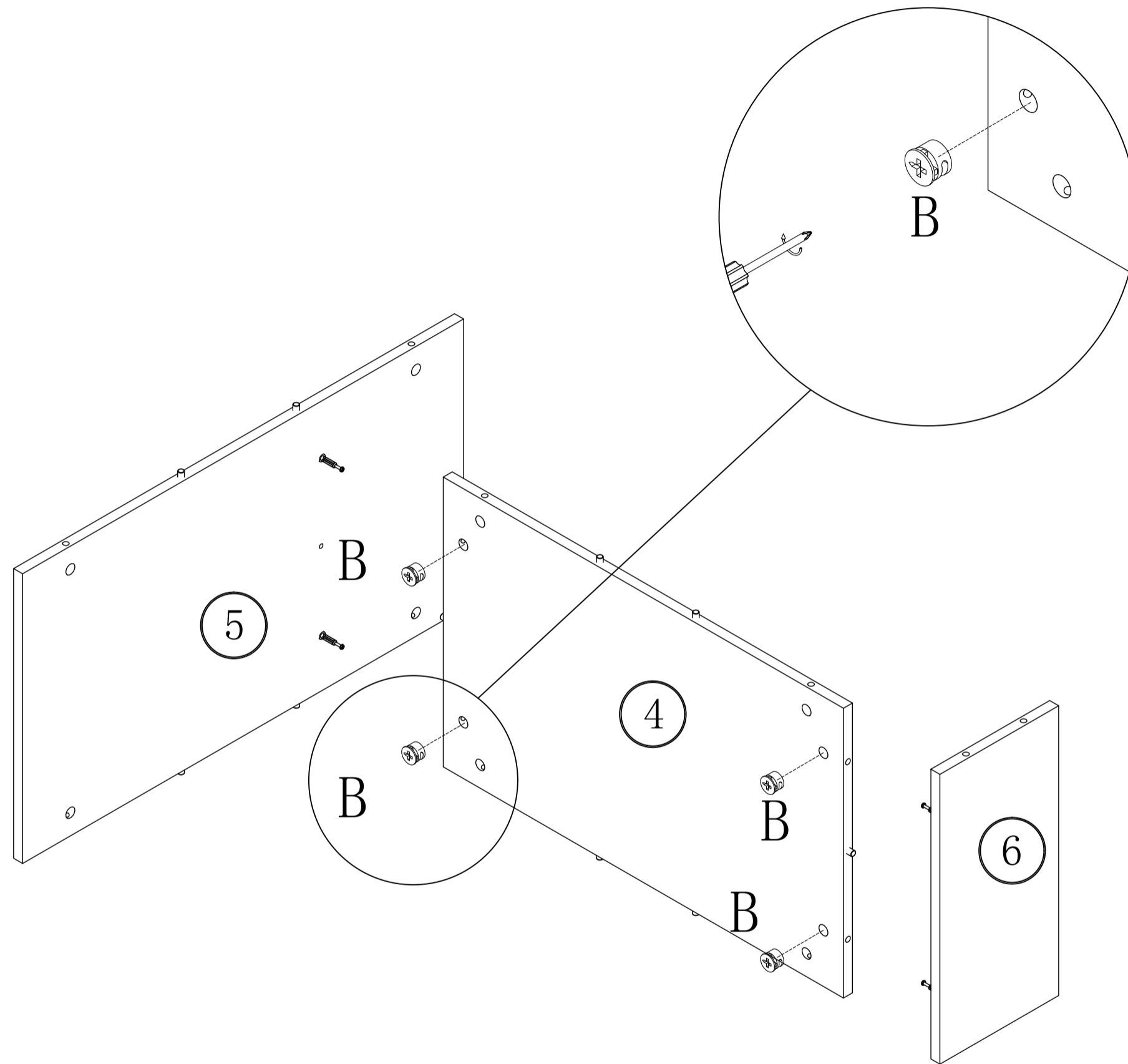
4



	A*18
	C*13

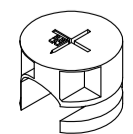
- put A on board    ⑪   ⑫   ⑰
- put C on board    ⑪   ⑫   ⑮   ⑯

5



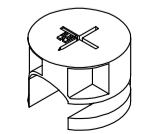
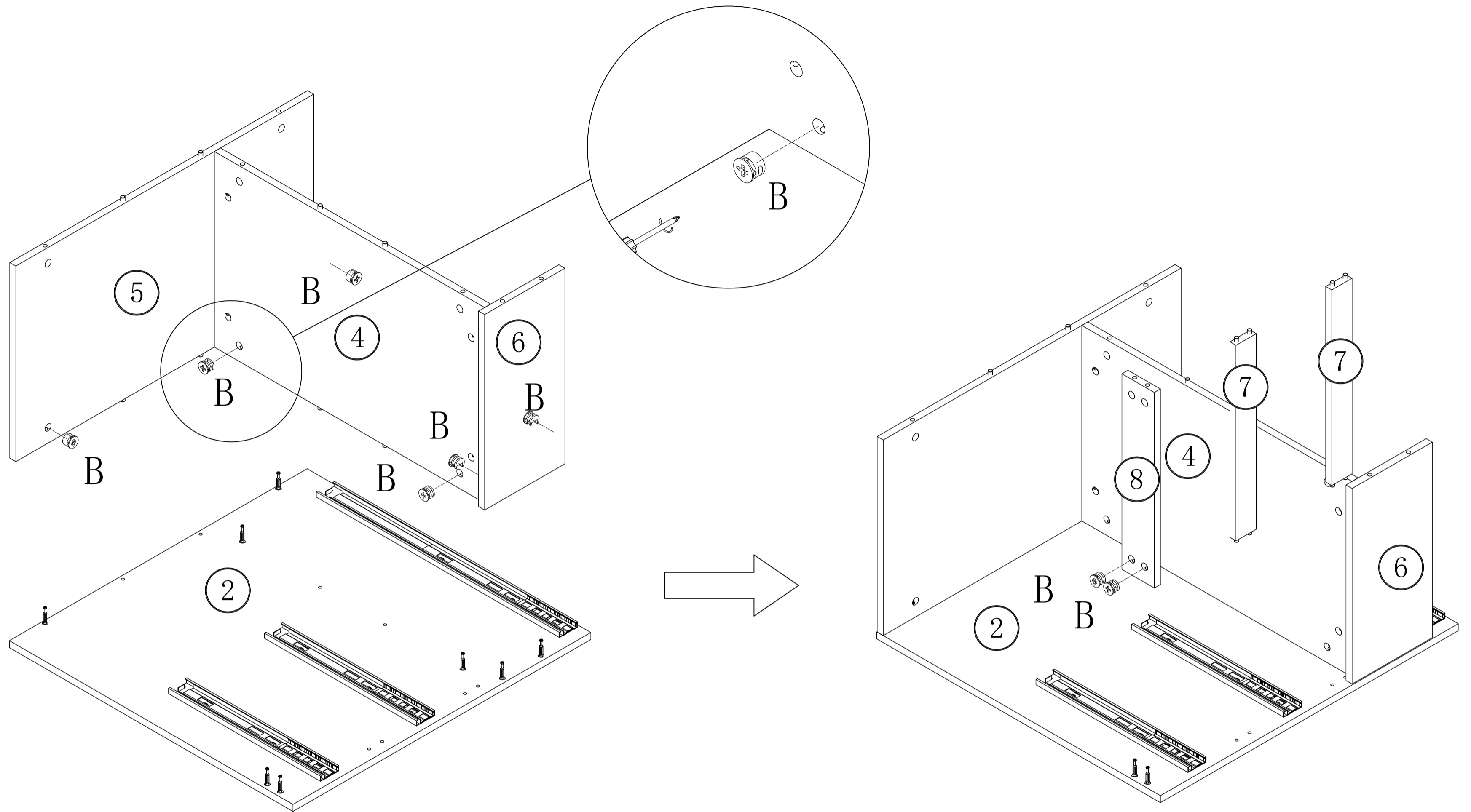
put B on board

4



B\*4

6

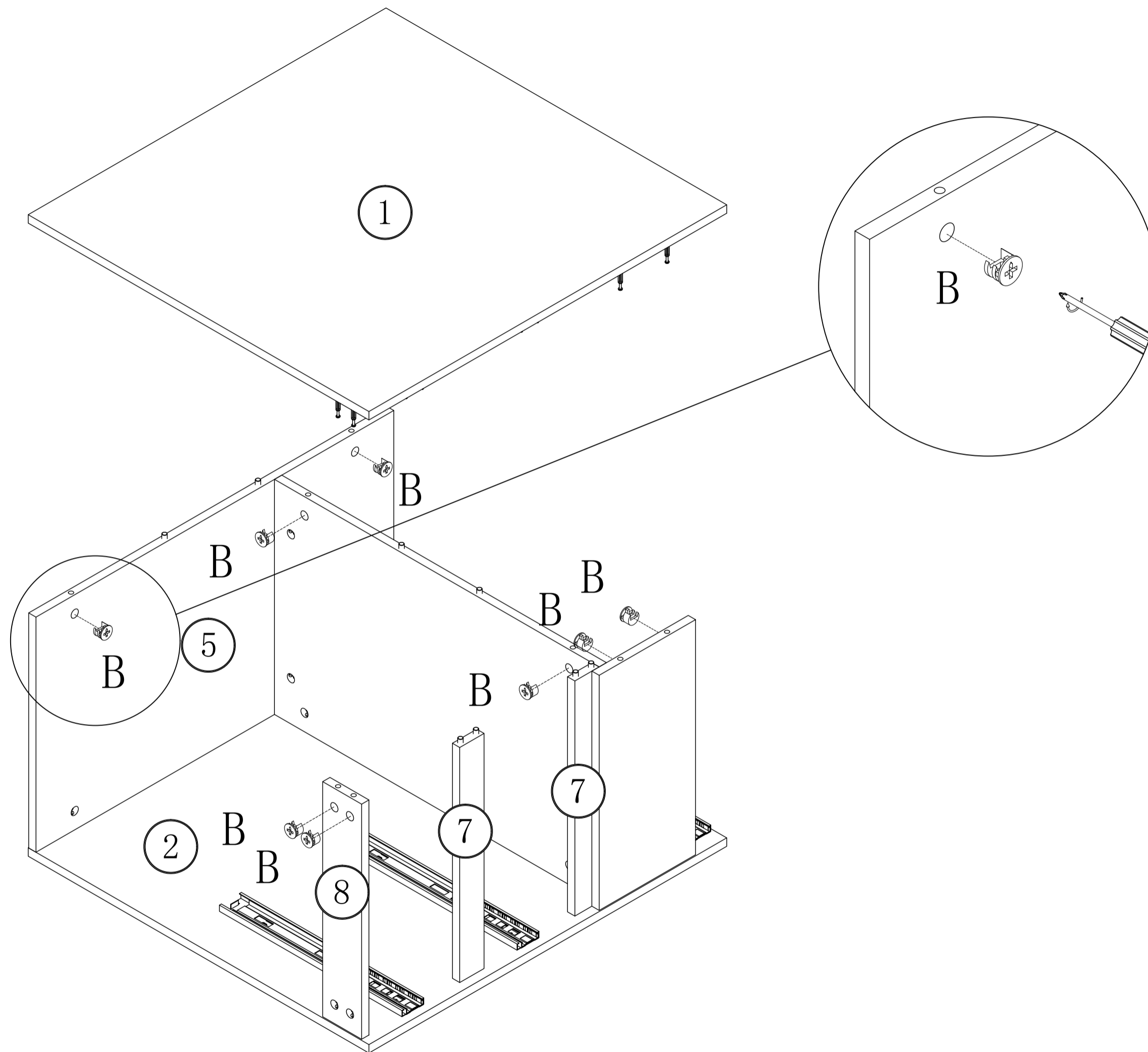


B\*8

put B on board

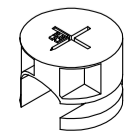
④ ⑤ ⑥ ⑧

7



put B on board

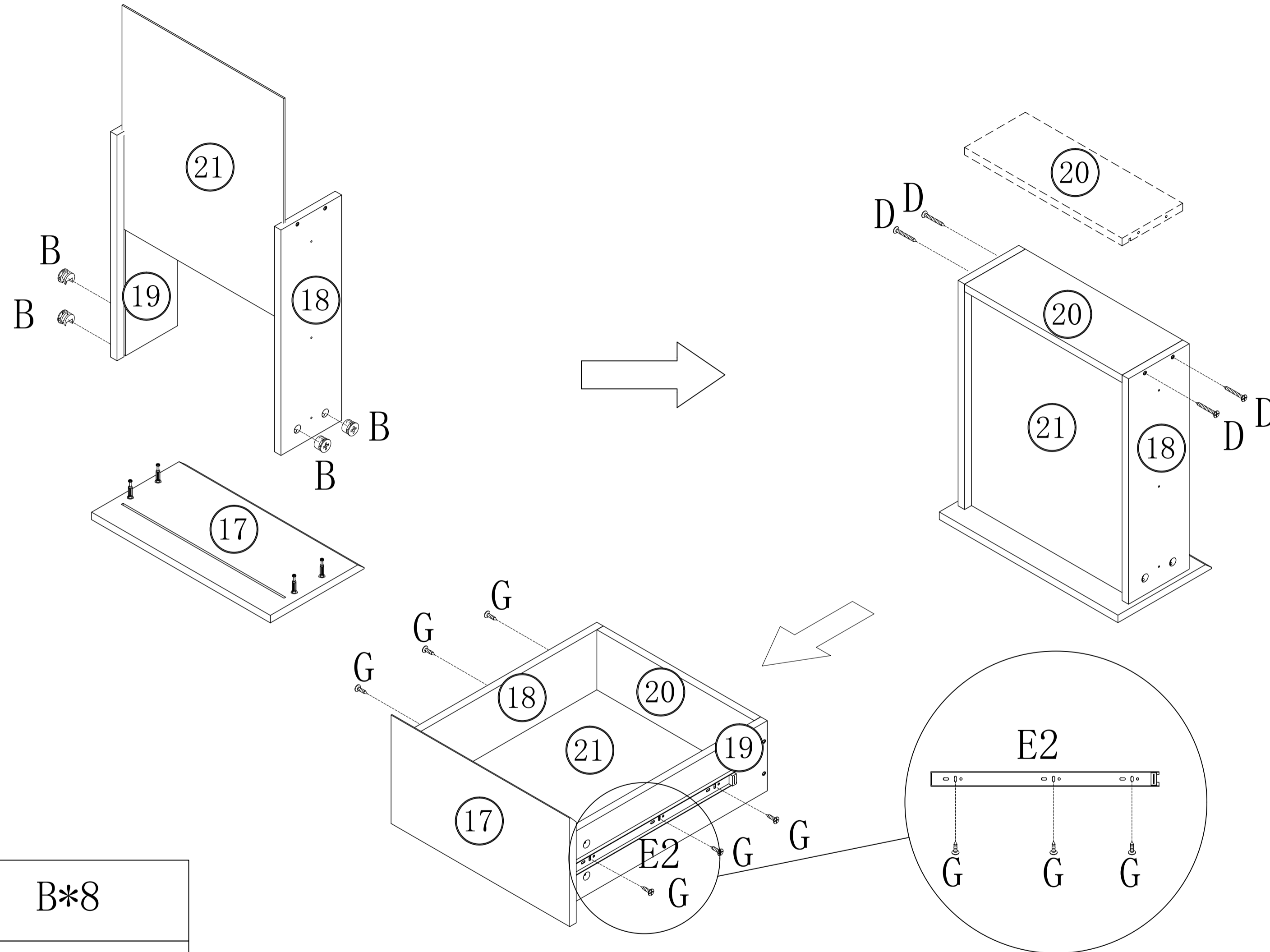
④ ⑤ ⑥ ⑧

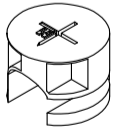
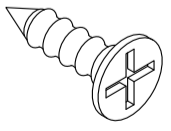
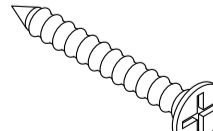
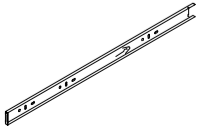


B\*8

8

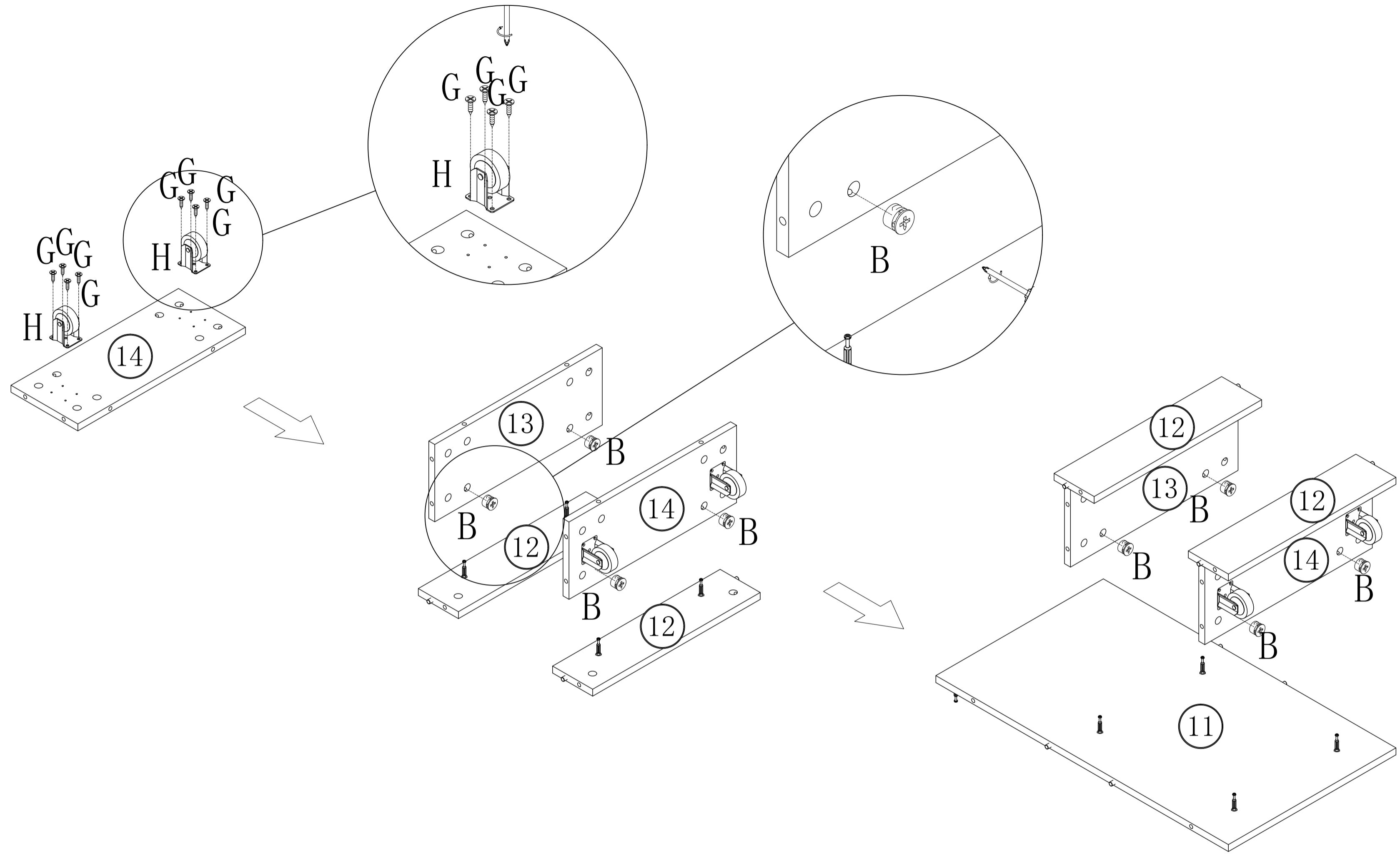
\*2

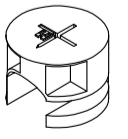
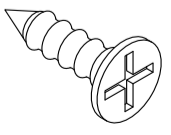
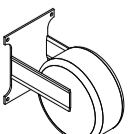


	B*8
	G*12
	D*8
	E2*4

put B on board 18 19

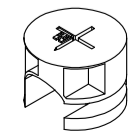
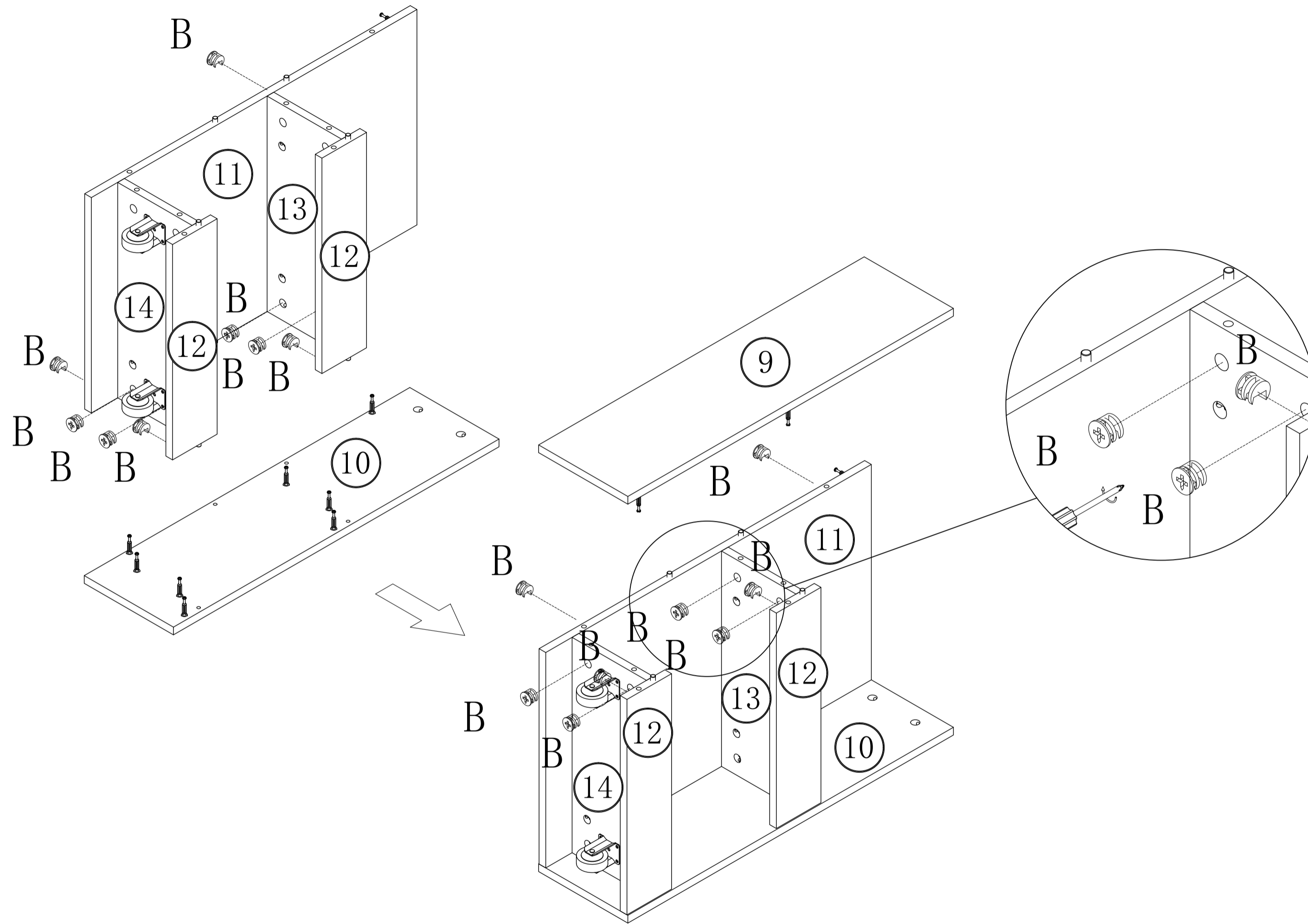
9



	B*8
	G*8
	H*2

put B on board 13 14

10

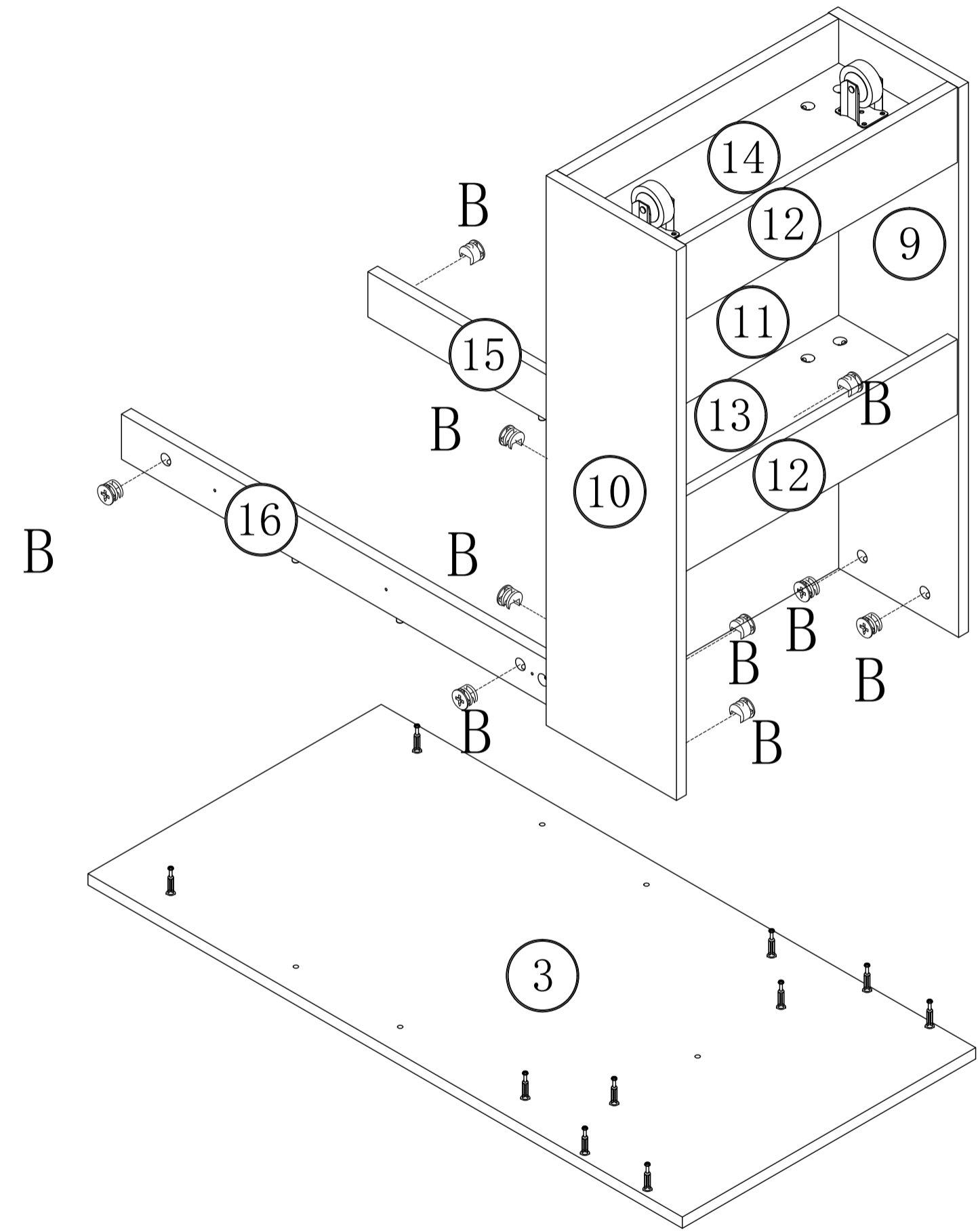
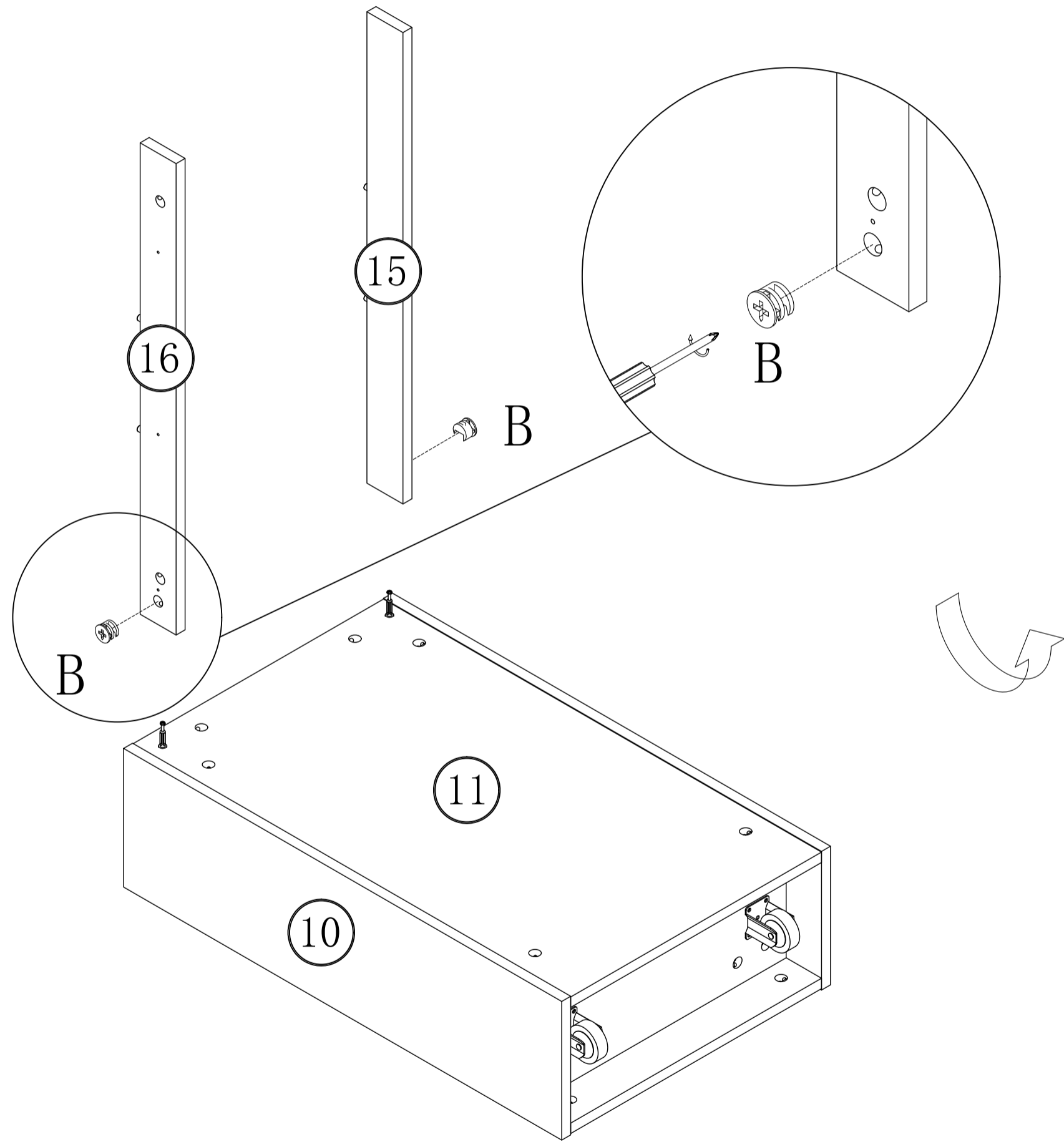


B\*16

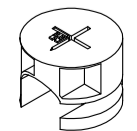
put B on board

①① ①② ①③ ①④

11

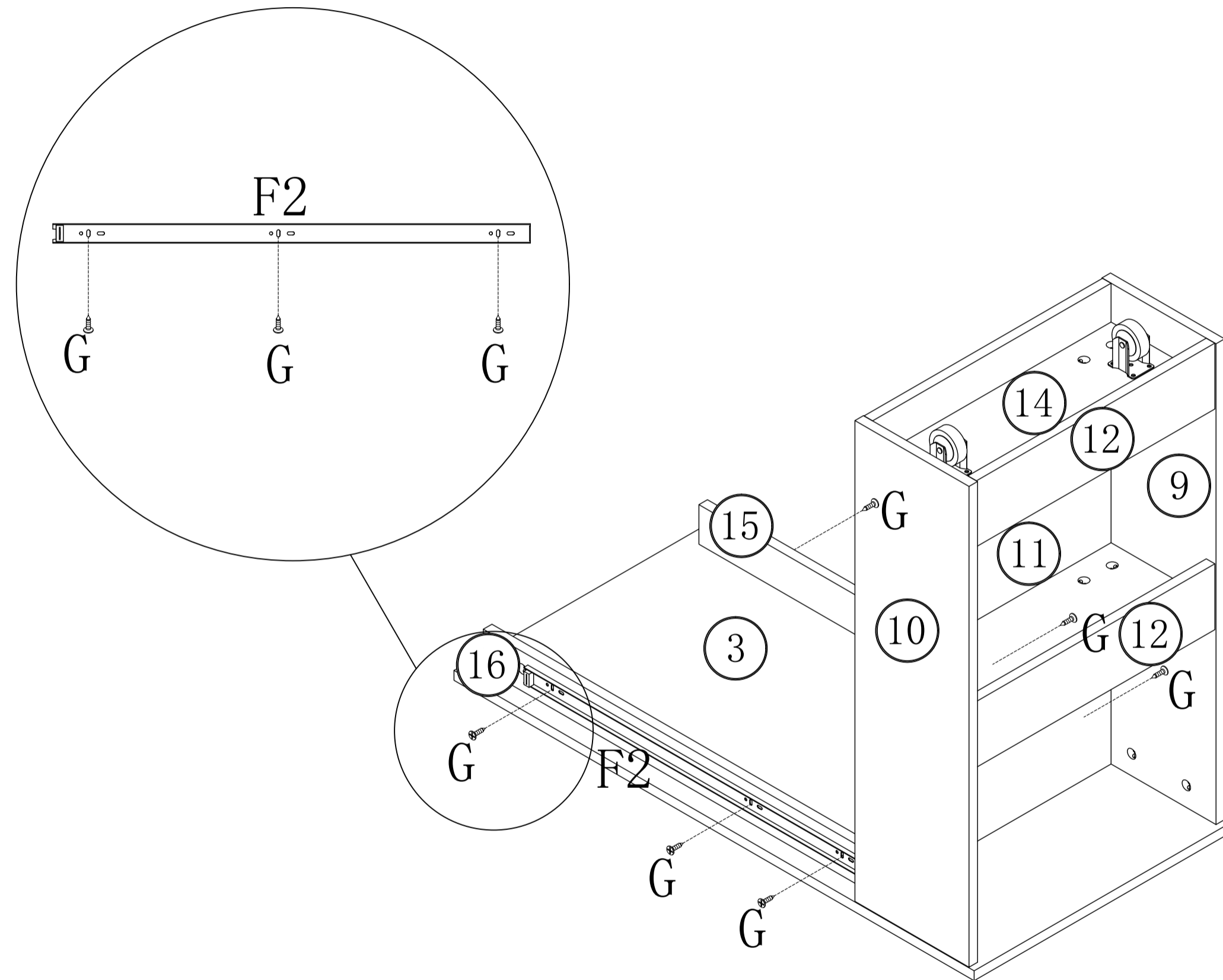


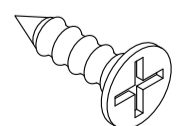
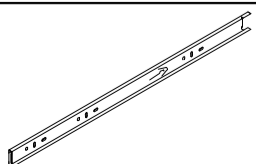
put B on board 9 10 11 15 16



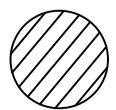
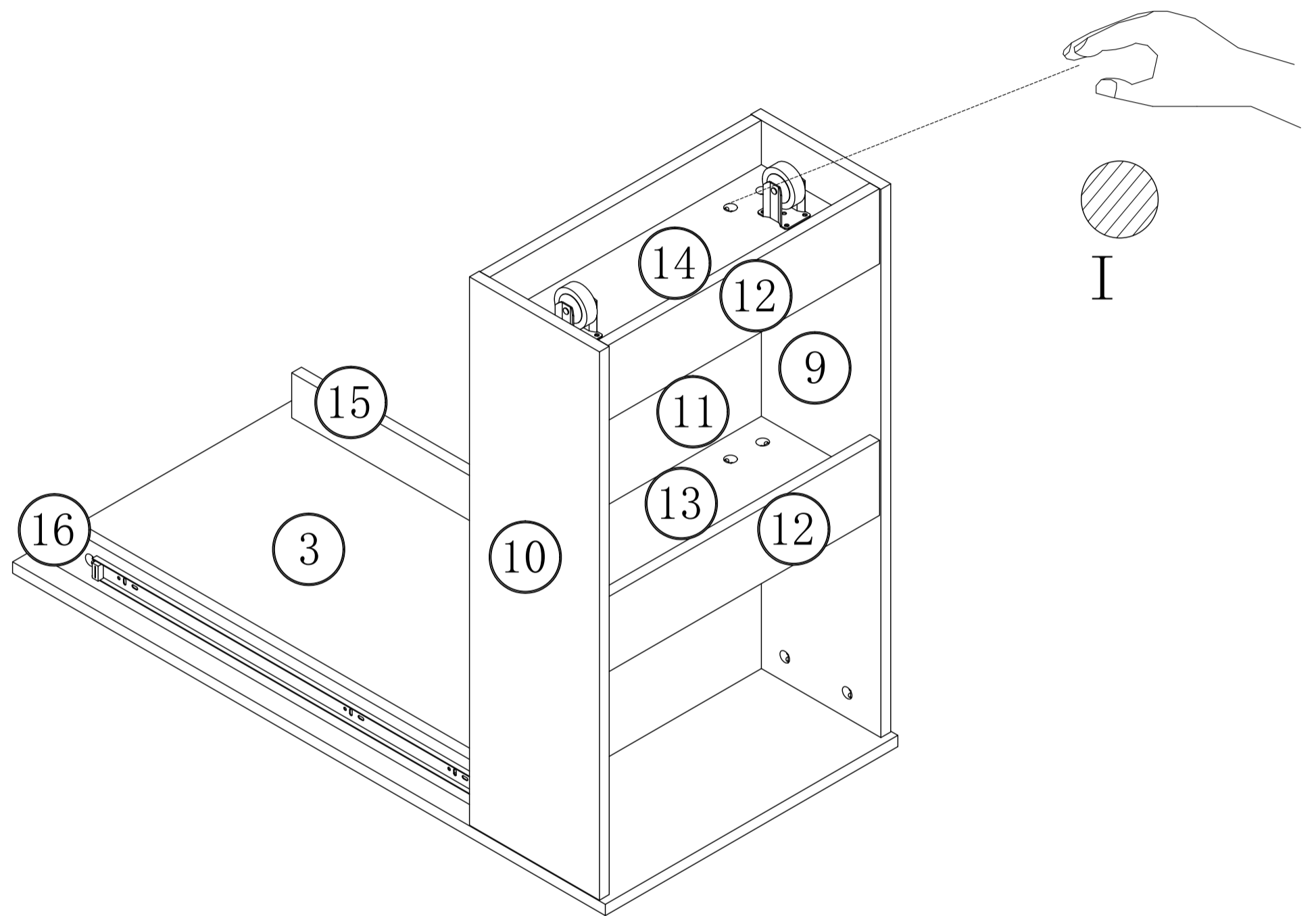
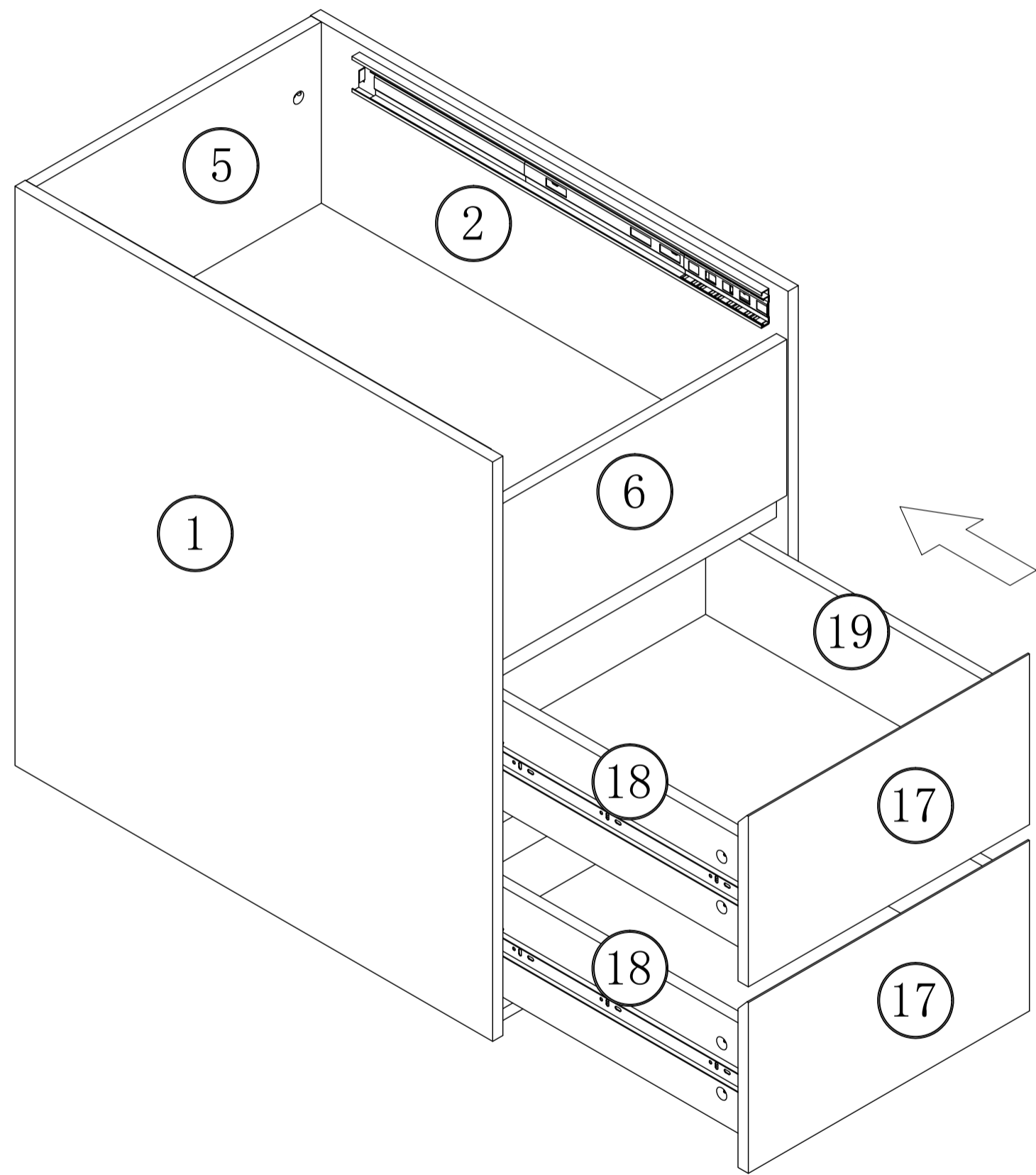
B\*12

12



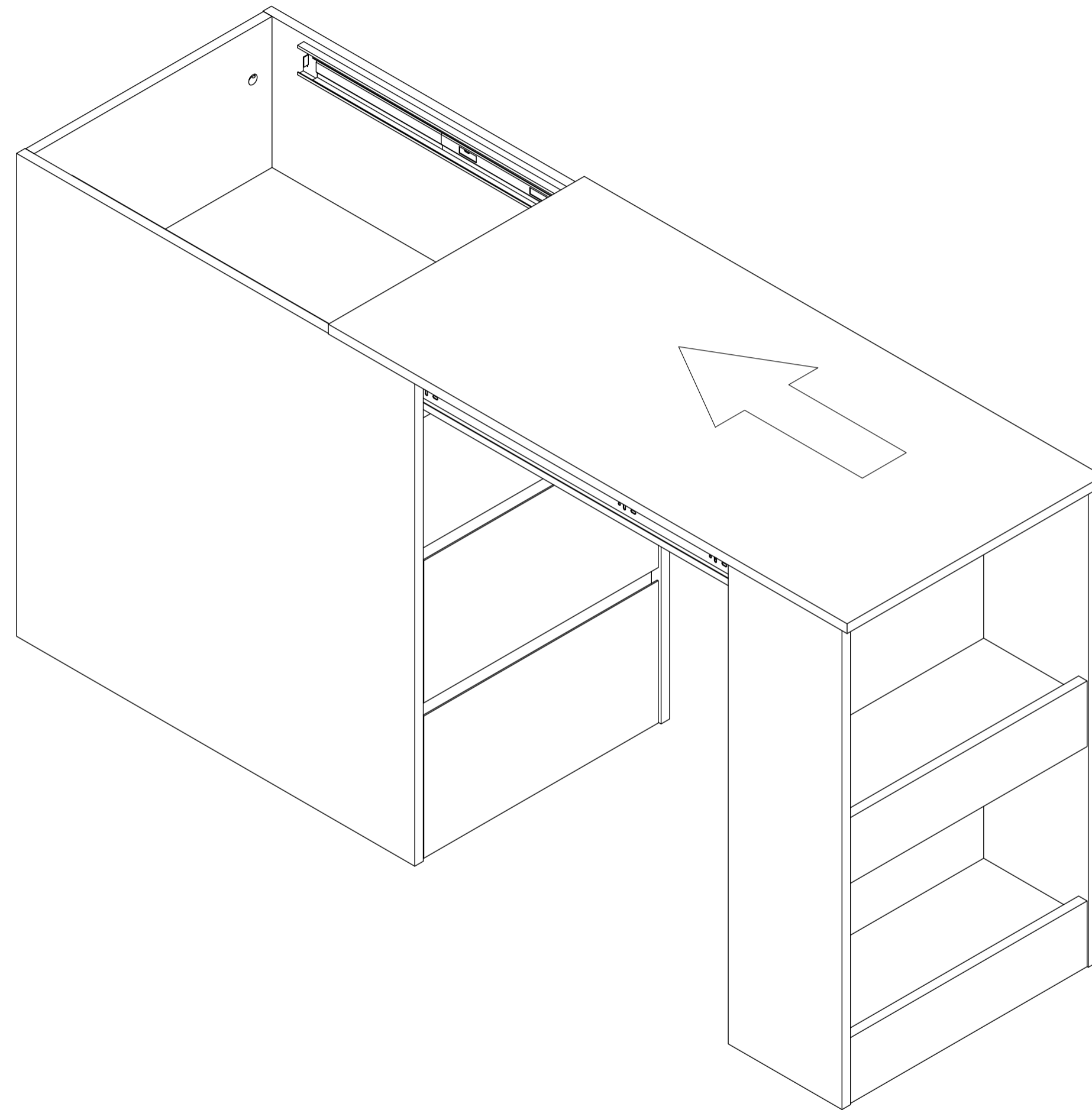
	G*6
	F2*2

13



I\*50

14



END