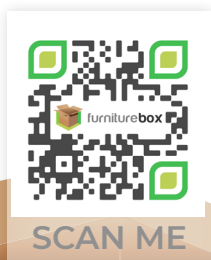
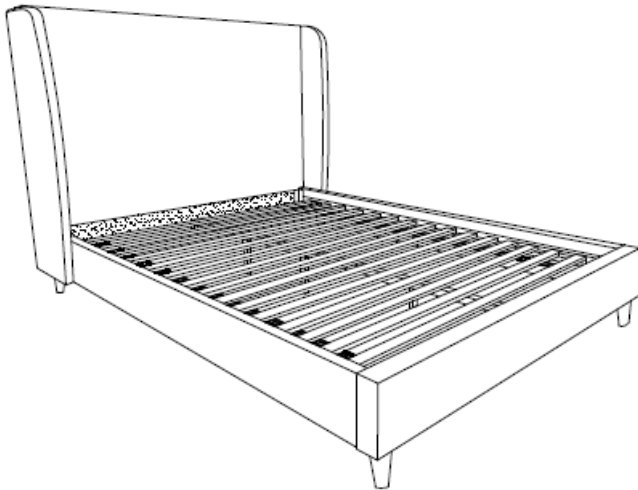


HANA

ASSEMBLY GUIDE



www.furniturebox.co.uk

Scan QR code for more tips,
advice and assembly video or visit
furniturebox.co.uk/club/hana

Important - Please read these instructions fully before starting assembly



**SAFETY AND
CARE ADVICE**



NO POWER TOOLS

SAFETY AND CARE ADVICE

- Check you have all the components and tools listed.
- Remove all fittings from the plastic bags and separate them into their groups.
- We do not recommend the use of power drills/drivers for inserting screws, as this could damage the unit. Only use hand screwdrivers and Allen keys.
- Keep children and animals away from the work area, small parts could cause choking if swallowed.
- Make sure you have enough space to lay out the parts before starting.
- Assemble the item as close to its final position (in the same room) as possible.
- Do not overtighten the nuts to avoid causing damage to the threads.
- Only clean using a damp cloth and mild detergent, do not use bleach or abrasive cleaners.
- From time to time check that there are no loose screws on this unit
- This product should not be discarded with household waste. Take to your local authority waste disposal centre



IMPORTANT INFORMATION



30 MINUTE
BUILD







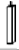










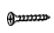


ONE
PERSON



MAXIMUM
CAPACITY
364Kg

PLEASE CHECK CAREFULLY AND MAKE SURE YOU HAVE ALL FITTINGS AND TOOLS LISTED BELOW BEFORE YOU START.

NO	PART LIST	QTY
1	 HEADBOARD	1PC
2	 FOOTBOARD	1PC
3	 SIDE RAIL	2PCS
4	 WINGS	2PCS
5	 CENTRE RAIL SUPPORT	1PC
6	 U SUPPORT	2PCS
7	 SUPPORT LEGS	3PCS
8	 LEGS	4PCS
9	 SLAT	1SET

NO	HARDWARE LIST	QTY
A	 JCBC M6 x 60mm	6PCS
B	 JCBC M6 x 50mm	6PCS
C	 JCBB M8 x 25mm	8PCS
D	 FLAT WASHER $\frac{5}{16}$ (2MM)	8PCS
E	 FLAT WASHER $\frac{1}{4}$ (2MM)	6PCS
F	 SPRING WASHER $\frac{5}{16}$	8PCS
G	 CSK SCREWM4 x 32mm	4PCS
H	 ALLEN KEY M5	1PC
I	 ALLEN KEY M4	1PC

NOTE: The quantities above are the correct amount to complete the assembly. In some cases more fittings may be supplied than are required.

STEP 1

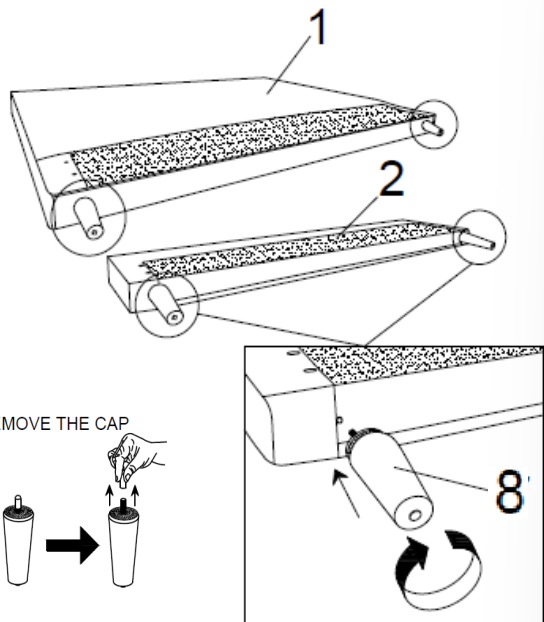
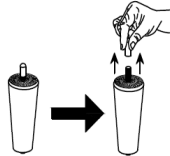
Use a clean, flat, soft surface to avoid any bumps or scratches. We recommend assembling your bed as close to its final location as possible.

NOTE: Avoid dragging bed - please lift to move.

Remove the protective cap from the thread on 4x legs [8]

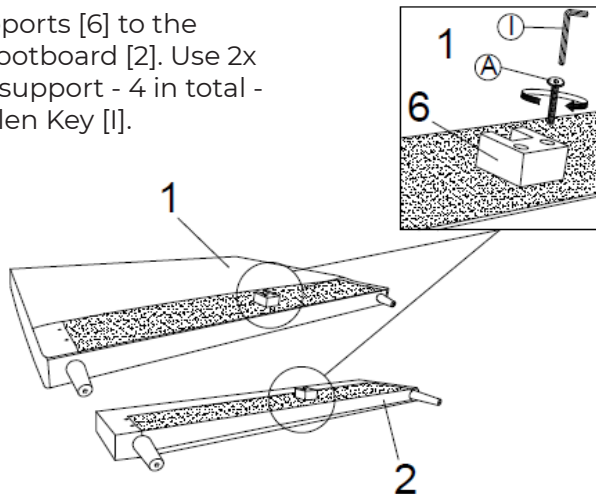
Attach 4x legs [8] to the headboard and footboard [1 and 2].

REMOVE THE CAP



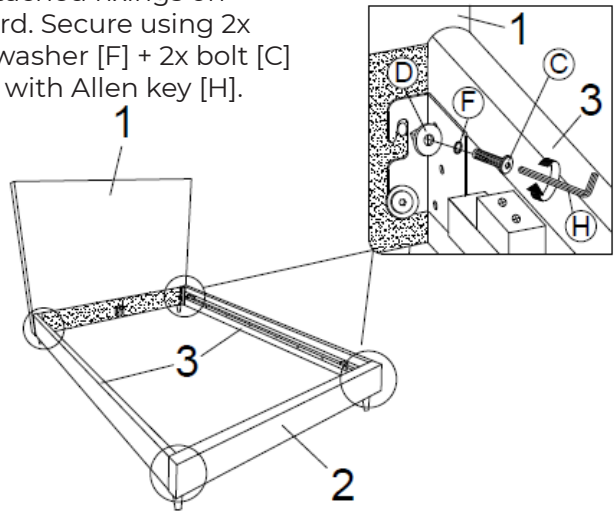
STEP 2

Attach the 2x U supports [6] to the headboard [1] and footboard [2]. Use 2x bolts [A] for each U support - 4 in total - and tighten with Allen Key [I].



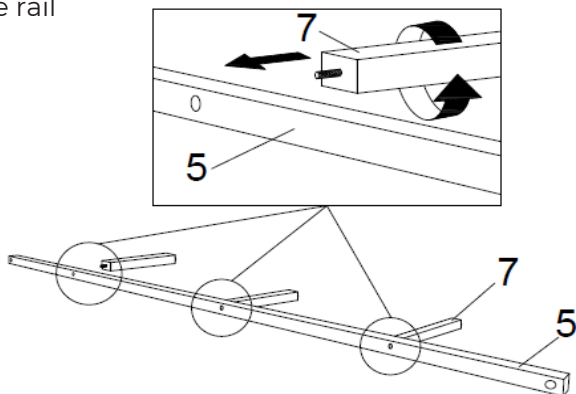
STEP 3

Slot the bed frame together. Slot the 2x side rails [3] onto the pre-attached fixings on both head and footboard. Secure using 2x washer [D] + 2x spring washer [F] + 2x bolt [C] in each corner. Tighten with Allen key [H].



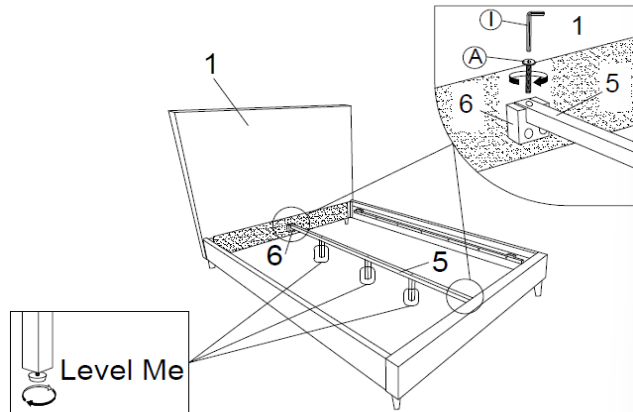
STEP 4

Attach the 3x support legs [7] to the centre rail support [5].



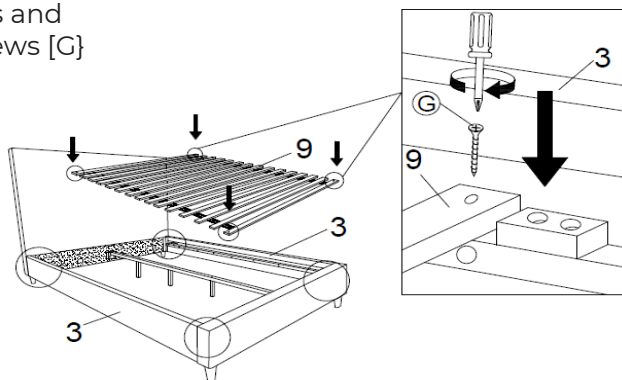
STEP 5

Attach the centre support rail [5] to the U supports [6] on head- and footboards. Secure using 1x bolt [A] at either end and tighten with Allen key [I].



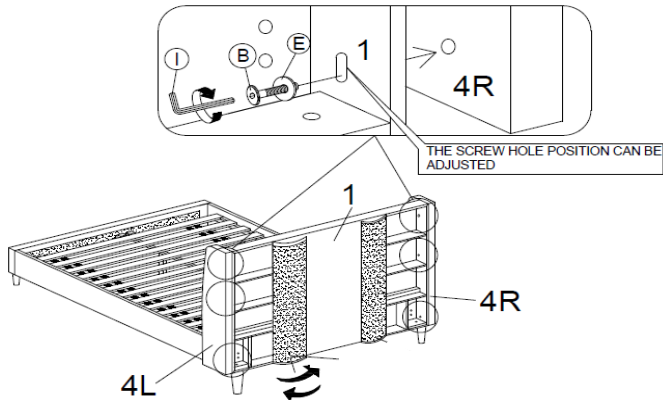
STEP 6

Place the bed slats [9] onto the bed frame. Align the pre-drilled holes and secure using 4x screws [G] - 1 in each corner.



STEP 7

Attach the headboard wings [4L and 4R] - note there is a difference between left and right. Fold back the fabric of the headboard on each side to see the pre-drilled holes. Attach the wings using 1x washer [E] + 1x bolt [B] per hole - 3 sets on each side. Tighten with Allen key [I]. Fold fabric of headboard back into place.

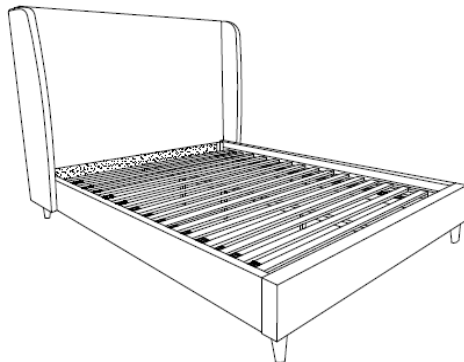


STEP 8

Check stability.

Your new bed frame is now ready!

NOTE: Avoid dragging bed - please lift to move.





OUR 2 YEAR GUARANTEE

our products come with a 1 year guarantee to give you peace of mind shopping at Furniturebox



WHAT THE GUARANTEE COVERS



PRE-INSERTED FIXINGS
e.g. loose metal threads



FAULTY JOINTS
e.g. legs bending



EXTERNAL FIXING FAULTS
e.g. metal discs removing from table top



STRUCTURAL INTEGRITY
e.g. the frame of the product



ACTIVATE YOUR GUARANTEE ONLINE

scan this QR code with your phone to read the full guarantee online and register your product. It only takes a moment to fill out. Or visit: furniturebox.co.uk/our-guarantee



Furniturebox UK, St Modwen's Park,
Chippenham, SN15 5BD
Tel: 01747 863333 Email: sales@furniturebox.co.uk