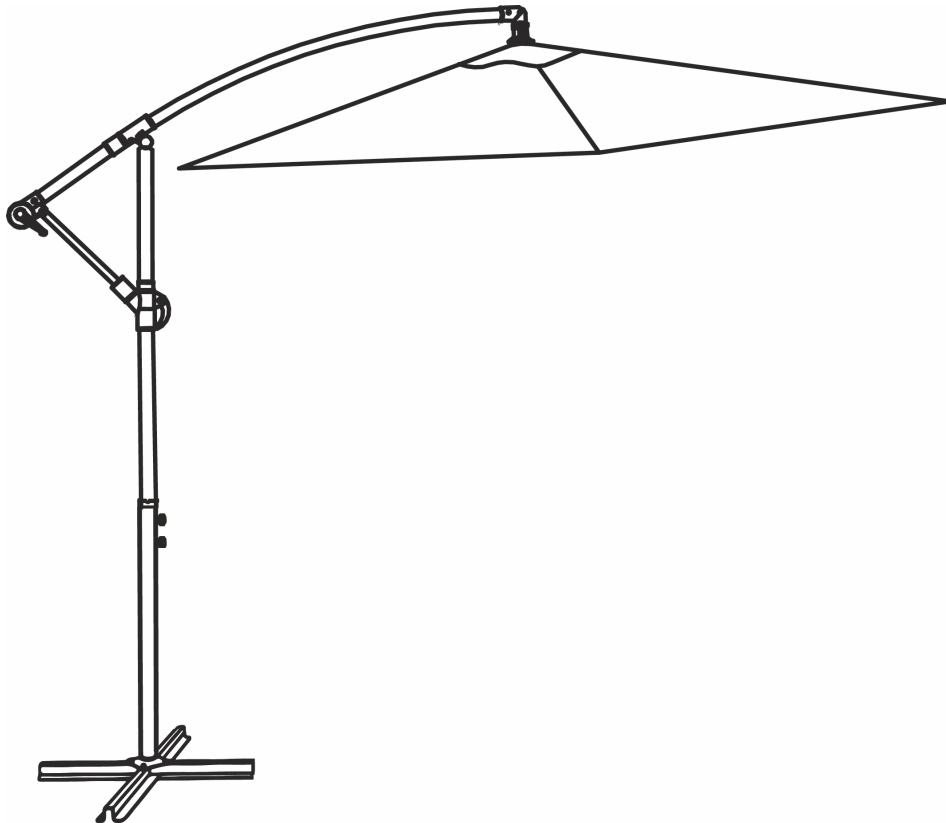

3m Cantilever Standard Parasol with Cross Stand Assembly Instructions

Product size:
Dia300*H245 cm



IMPORTANT, RETAIN FOR FUTURE REFERENCE
READ CAREFULLY

3m Cantilever Standard Parasol with Cross Stand

Assembly Instructions

Before you start



Warnings

IMPORTANT, RETAIN FOR FUTURE REFERENCE READ CAREFULLY

See enclosed instructions for assembly, safety and care information.

Failure to follow the warnings could result in serious injury.

Handle heavy parts with care.

Ensure that this product is fully assembled as illustrated before use.

This product should only be used on firm, level ground.

The product contains small parts which could pose a risk to young children. Keep small parts out of reach of children.

This product is intended for domestic use only.

Ensure the product is always placed on level ground.

Furniture can be dangerous if incorrectly used. No liability will be accepted for damage or injury caused by incorrect use of this product.

Keep hands away from folding mechanism and moving parts to prevent possible injury.

**NEVER USE OR OPEN THIS PARASOL
WITHOUT A SUITABLE BASE SET IN PLACE.**



Dos

When you are ready to start, make sure that you have the right tools, plenty of space and a clean, dry area for assembly.

Unwrap all packaging materials and place the components on suitable surface to prevent scratching your product.

Check the pack and make sure you have all of the parts listed.

Check all screws and bolts are tightened and inspect regularly.

We recommend the use of furniture covers to protect your product when not in use.

During bad weather or in winter months, the product should be stored in a cool, dry place. Before storage, ensure that the product is clean and dry.

To clean, wipe with a damp sponge and a little warm soapy water then dry with a clean, dry cloth. Do not use solvent-based cleaners

or detergents as they can bleach or damage the product.

Clean the fabric using a little warm soapy water. The product must be thoroughly dried afterwards to prevent mildew and mould stains from forming. Most stains can be removed with a mild detergent. The parasol is not 100% waterproof and water may seep through the seams and/or fabric in heavy rain. Ensure that the parasol is fully dry before use.



Don'ts

Do not stand or climb onto the product.

Do not use power tools to construct this product.

Do not sit or lean onto the rims of this product.

Do not use this product if parts are missing, damaged or worn.

Do not leave the parasol open when there is a risk of high winds, as damage will occur to its structure.

Never use scourers, abrasives or chemical cleaner.

Never use a pressure hose or washer to clean the product.

Never drag furniture when moving it, always lift it.

Never move this parasol when fully assembled.

To avoid damage do not allow water to collect or "pool" on the fabric.

The parasol is not 100% waterproof and water may seep through the seams and/or fabric in heavy rain. Ensure that the parasol is fully dry before use.

It is recommended that before moving heavy objects to a new location they be completely disassembled to avoid personal injury or damage to the furniture. Please be careful to retain all fittings when doing this.

Please ensure you have correctly installed the parasol before use. A competent person should carry out assembly. No liability will be accepted for damage or injury caused by incorrectly installed or assembled furniture.

Number of people required for assembly

One person.

Time to assemble



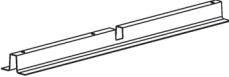
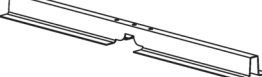
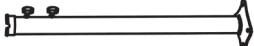
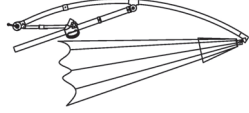
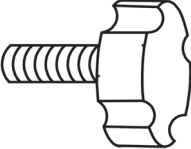

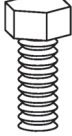

30 Minutes

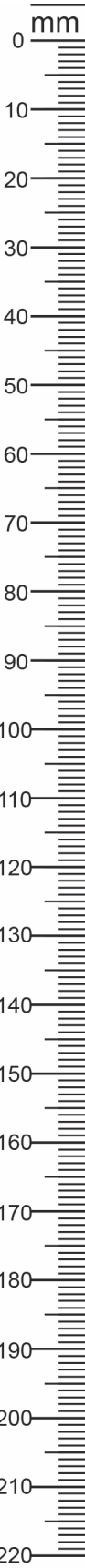
Tools required



3m Cantilever Standard Parasol with Cross Stand Assembly Instructions

Components, fixtures & fittings (not actual size)

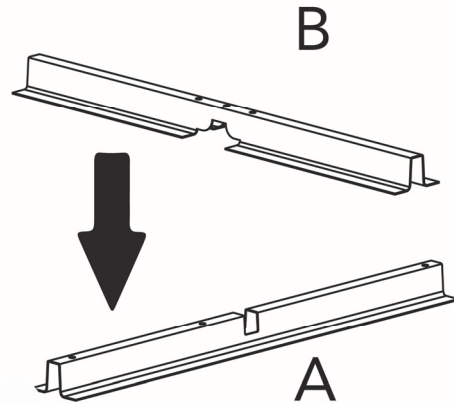
Parts List					
Part No.	Diagram	Qty.	Part No.	Diagram	Qty.
A		1 PC	B		1 PC
C		1 PC	D		1 PC
E		2 PCS	F3		4 PCS
F63		4 PCS	F1		1 PC



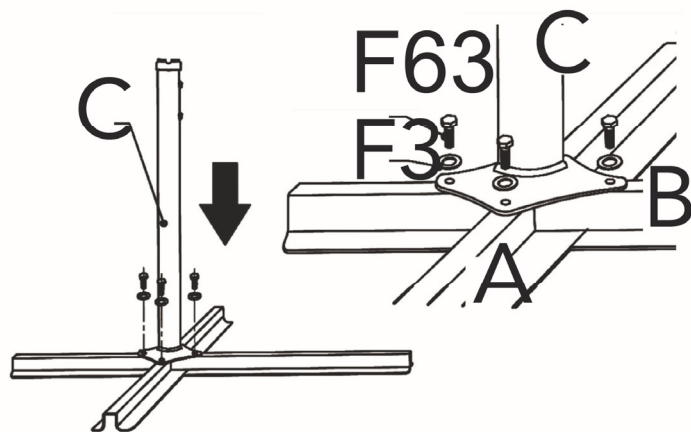
3m Cantilever Standard Parasol with Cross Stand Assembly Instructions

Step by step assembly instructions

Step One



Step Two

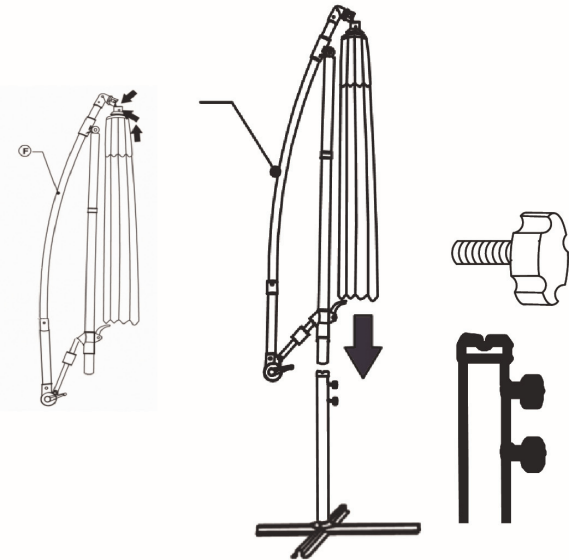


WARNING

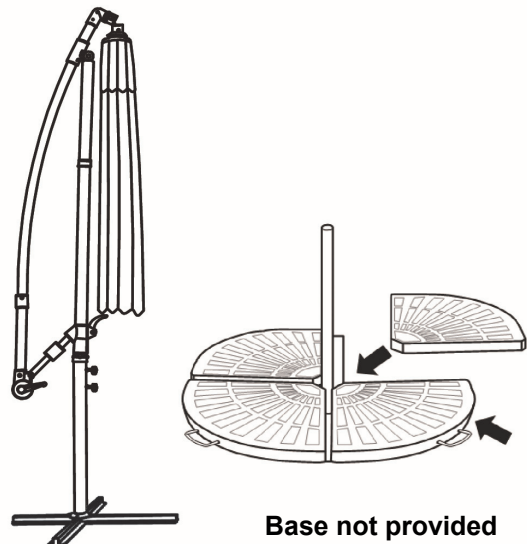
This product is not a toy. Children and Kids are not allowed to use this product.

3m Cantilever Standard Parasol with Cross Stand Assembly Instructions

Step Three



Step Four

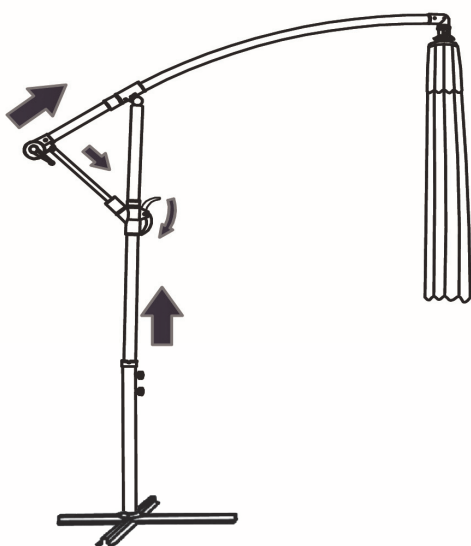


Base not provided

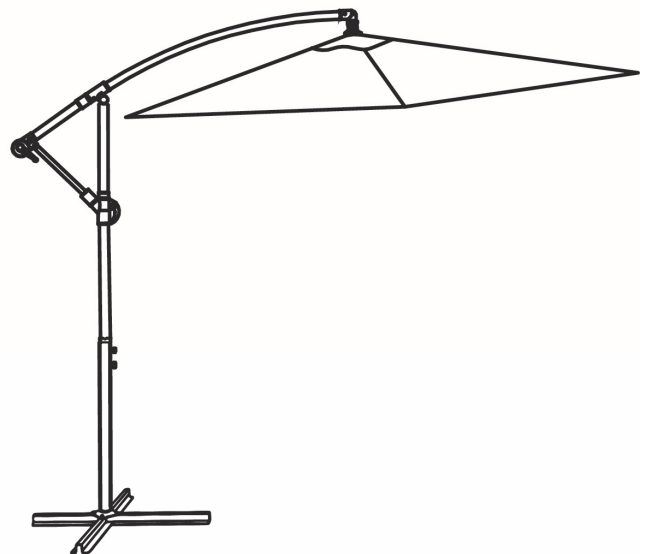
WARNING

Please take care to keep fingers away from moving parts and crank rotating area to prevent possible injury.

Step Five

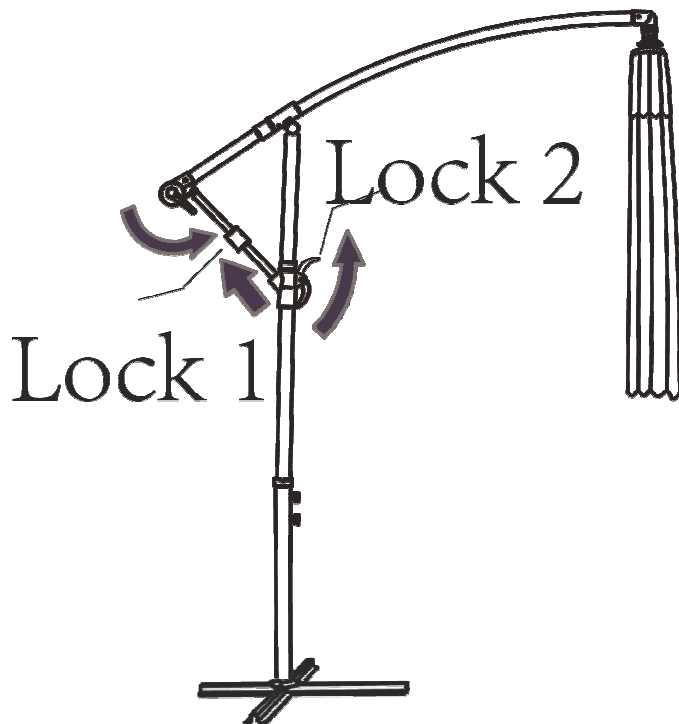


Step Six

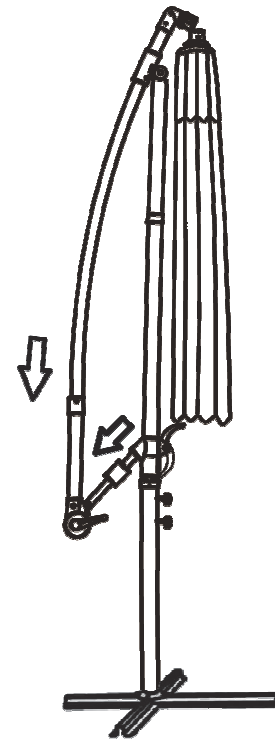


3m Cantilever Standard Parasol with Cross Stand Assembly Instructions

Step Seven



Step Eight



Suitable parasol bases should be used together with this parasol!

PLEASE KEEP THESE INSTRUCTIONS FOR FUTURE REFERENCE