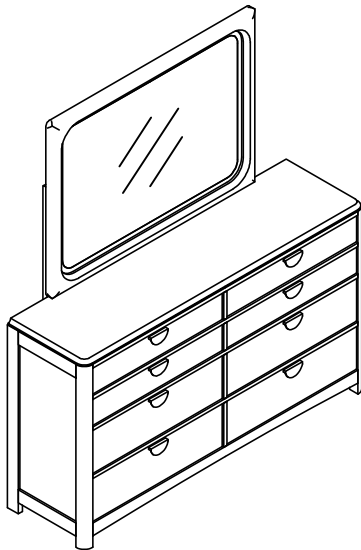
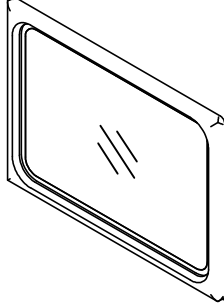
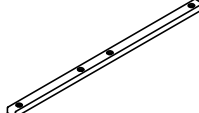


Assembly Instruction

Description: Mirror



PARTS LIST

①		②	
MIRROR FRAME : 1PC		SUPPORT BRACKET : 2PCS	

③ HARDWARE LIST

NO.	DRAWING	DESCRIPTION	
A		Flat Washer $\phi 1/4"$ x 19*2mm	8Pcs
B		Spring Washer $\phi 1/4"$	8Pcs
C		Bolt $\phi 1/4"$ x 1-1/2"	8Pcs
D		Allen Key	1Pc
E		Touch Pen	1Pc

STEP 1

