

HAPPINESS HAPPINESS INSTALLATION



CAUTION

Parts are placed at the bottom of the product.

- If you have any questions with the product, please contact us by:
- **Email: customerservice@zoy-living.com**
(we will reply to you within 24 hours)

Assembly Instructions

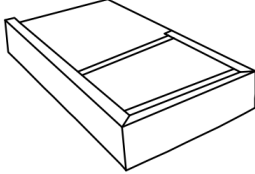
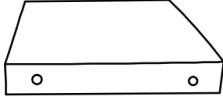
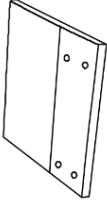











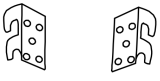
CAUTION

DO NOT use any sharp objects to open plastic wrapped components as this may result damage to product or components .

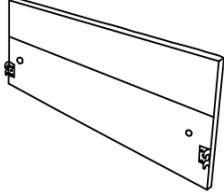
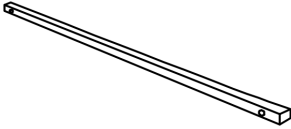
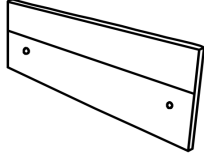
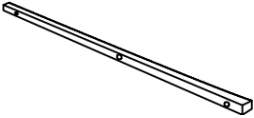

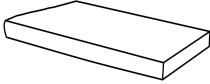
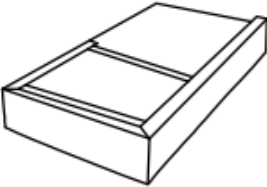

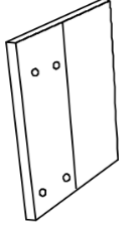
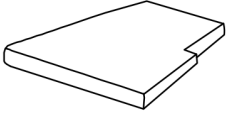






Model: SS001D

Your sectional comes packaged in **Three** box. Carefully remove all of components from the packagin and set aside for assembly.

Package Contents

BOX 1 SH001DF66L				
	A*1	B*1	C*1	D*6
				
	E*6	F*1	G*4	H*4
				
	I*1	W*6	O*5	P*6
				
	I*1	X*5	M*1	

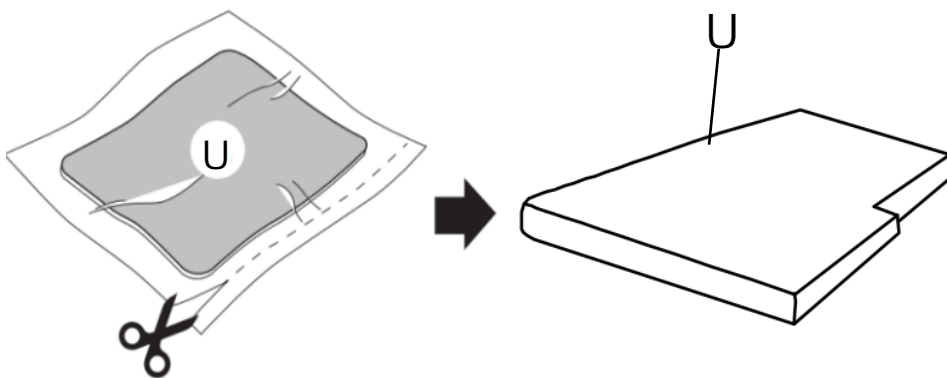
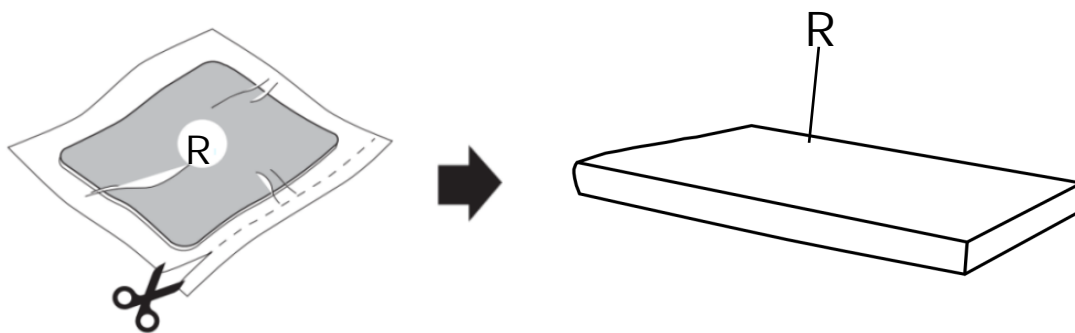
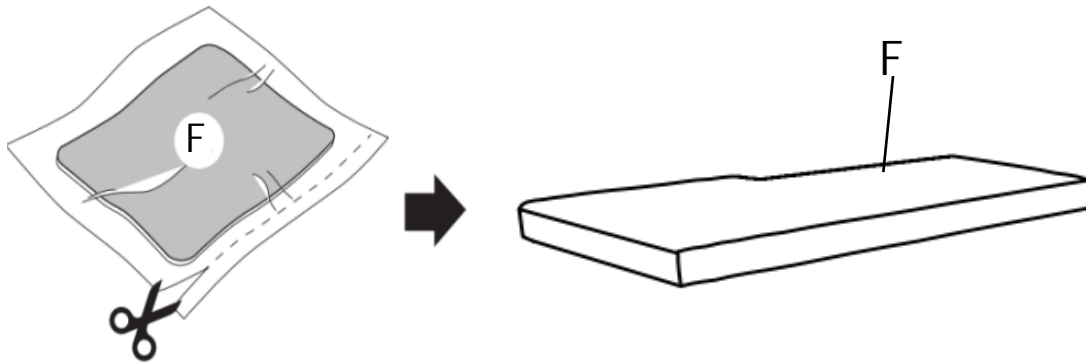
PackageContents

SS001DF62N BOX 2				
	J*1	K*1	L*1	
				
	N*1	Q*1	R*1	
BOX 3 SH001DF66R				
	S*1	T*1	V*1	U*1
				
	D*6	E*6	G*4	H*4
				
	I*1	W*6		

1 SOFA ASSEMBLY - BODY SETUP

Step 1

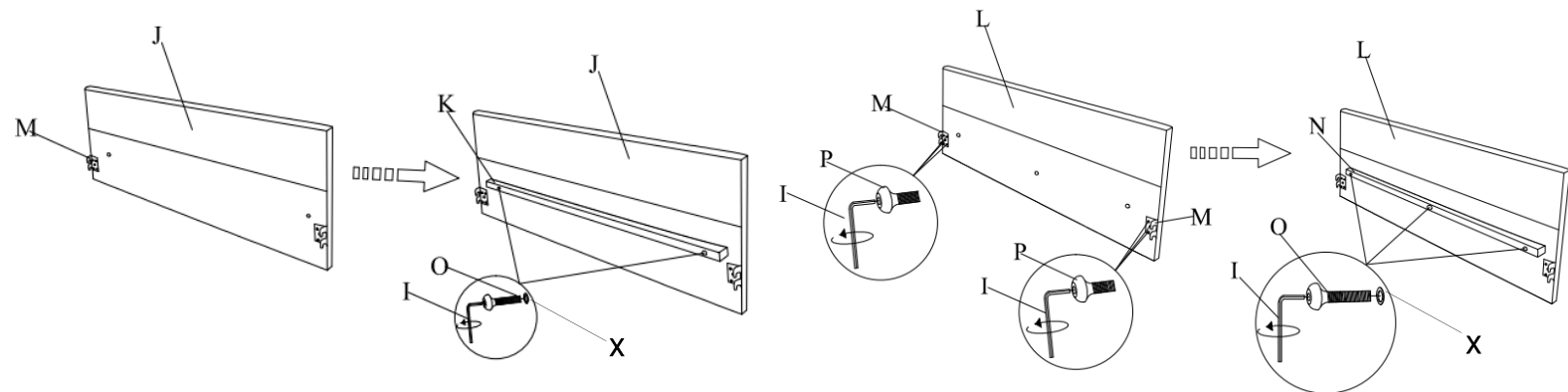
Use scissors to open all the Vacuum Sealed Cushions(F&R&U). It may take 48-72hrs to fully expand back to its original shape.



2 SOFA ASSEMBLY - BODY SETUP

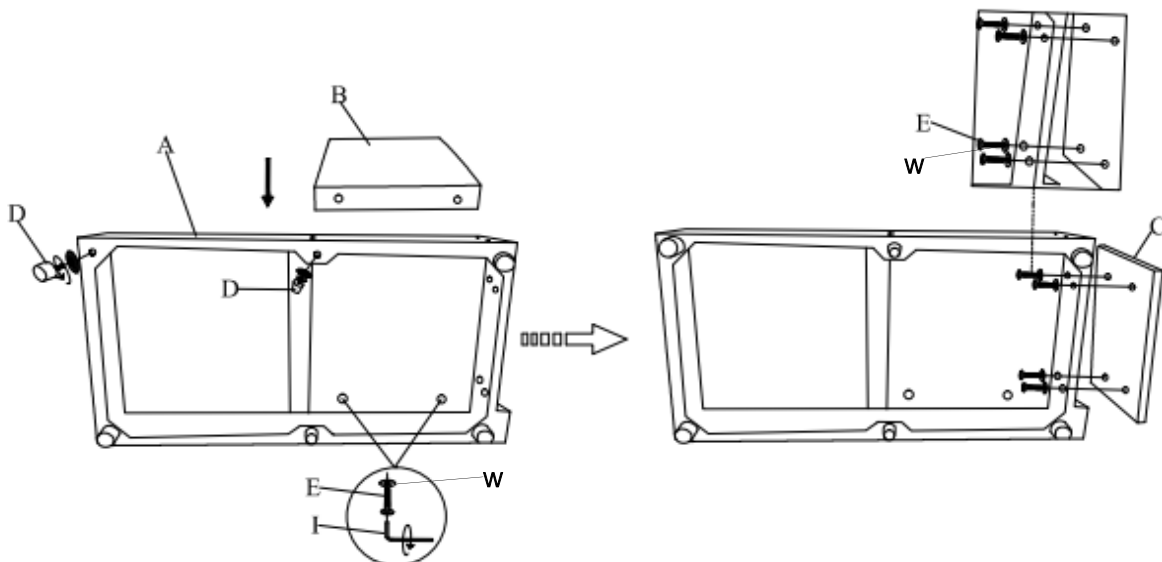
Step 2

First prepare the front and rear frames for the middle two-person seat. Use screws (O&X) and a wrench (I) to connect the back frame (J) to the wooden strip (K), and connect the front frame (L) to the wooden strip (N).

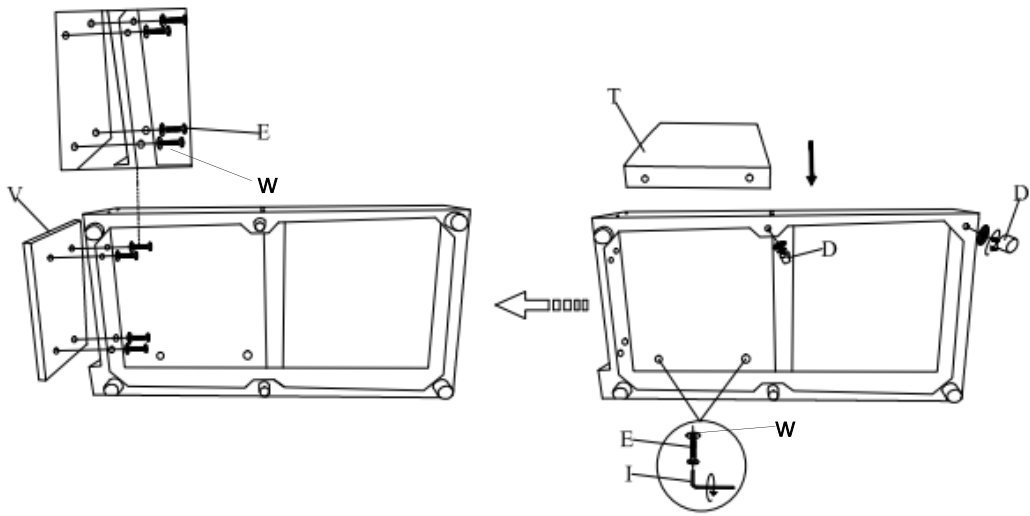


Step 3

Then we start to install the left and right seat parts. First the six sofa legs (D) need to be installed at the bottom of the frame (A&S), and the armrests (B&T) should be assembled to the top of frame (A&S) using screws (E&W) and a wrench (I). Next, the backrest frame (C&V)) should be assembled to the frame (A&S) using screws (E&W) and a wrench (I).

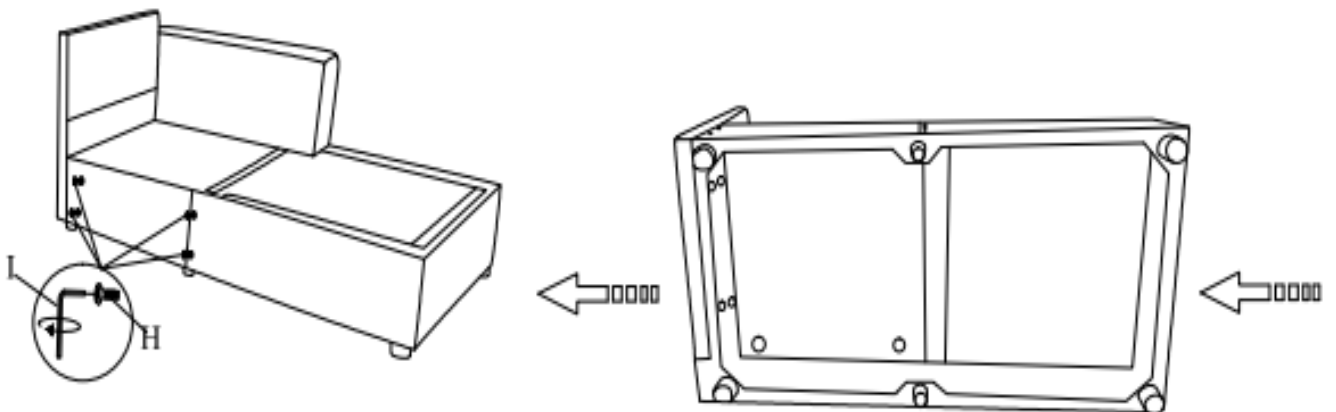
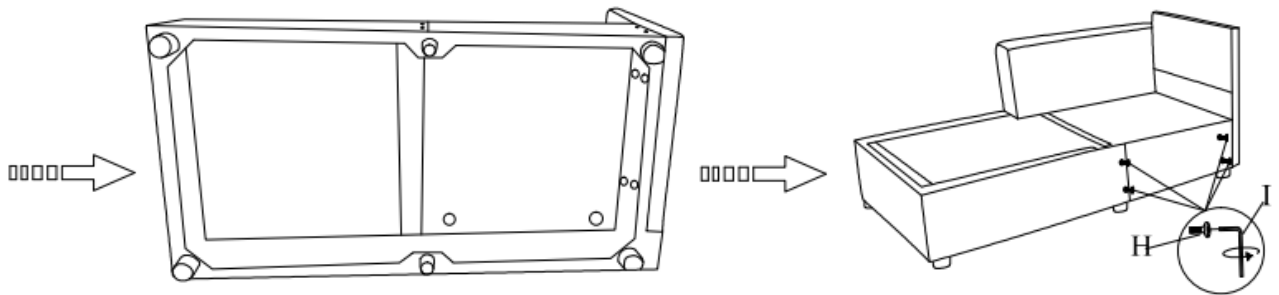


3 SOFA ASSEMBLY - BODY SETUP



Step 4

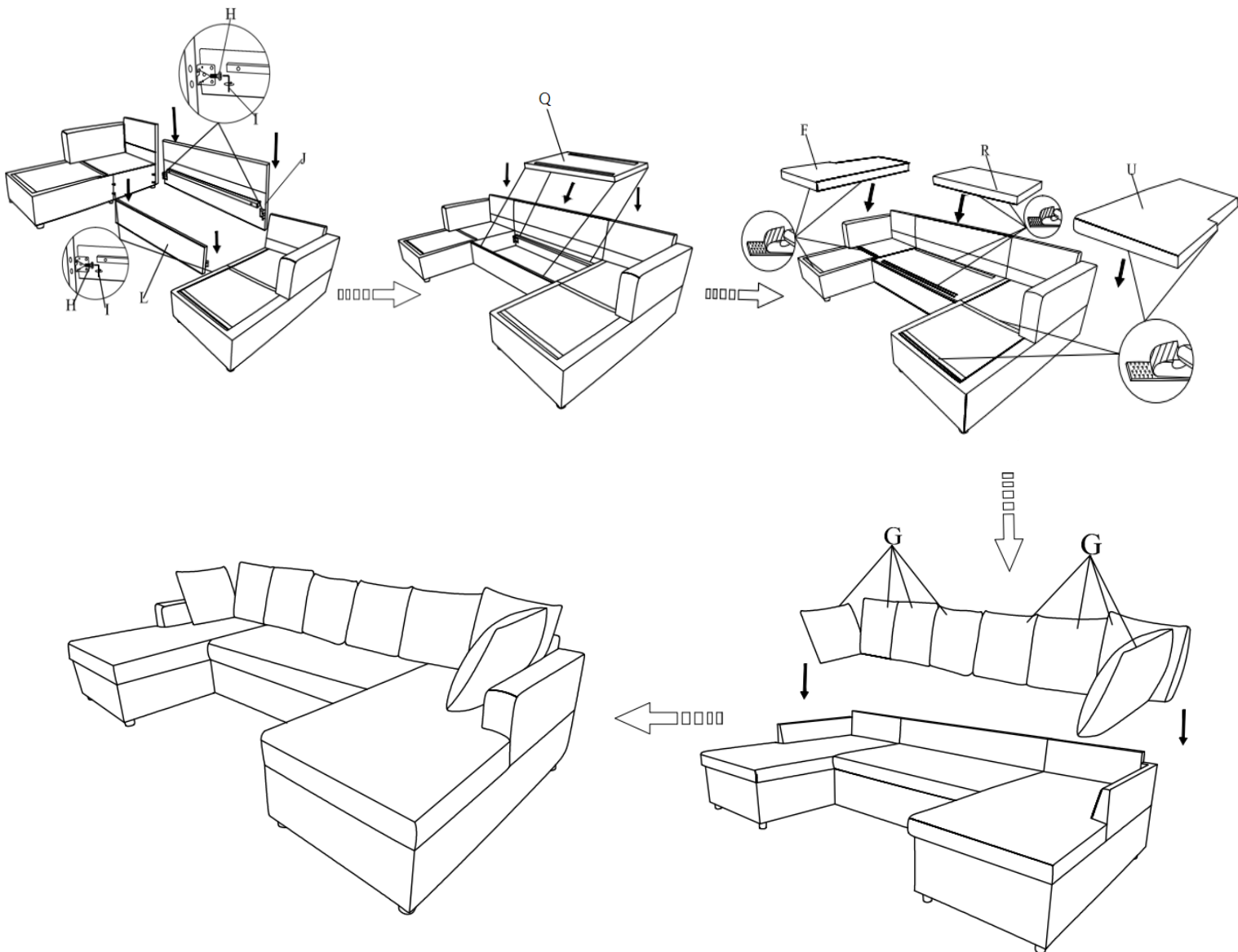
After assembly, use a **wrench (I)** to secure the four **screws (H)** to the frame.



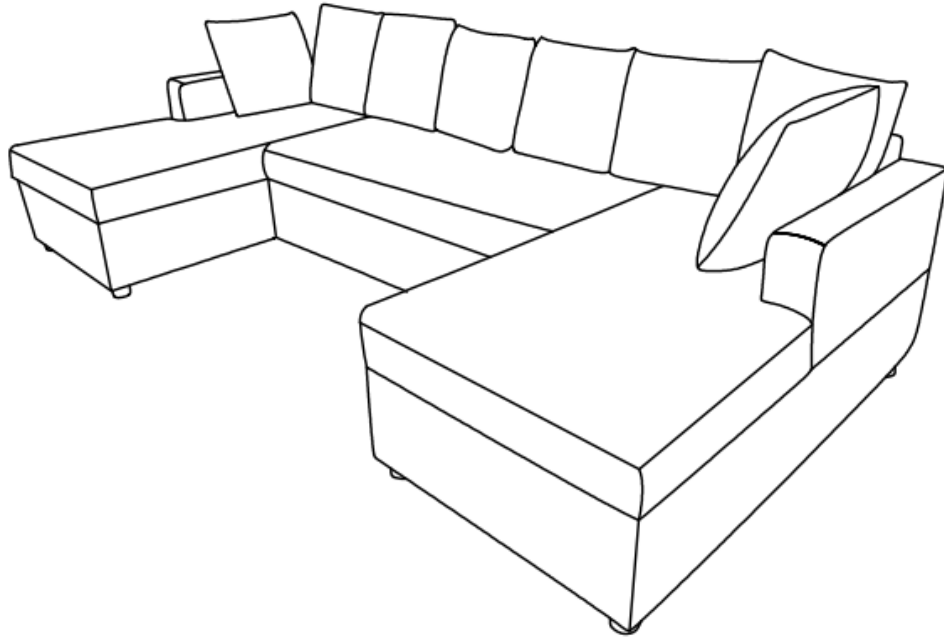
4 SOFA ASSEMBLY - BODY SETUP

Step 5

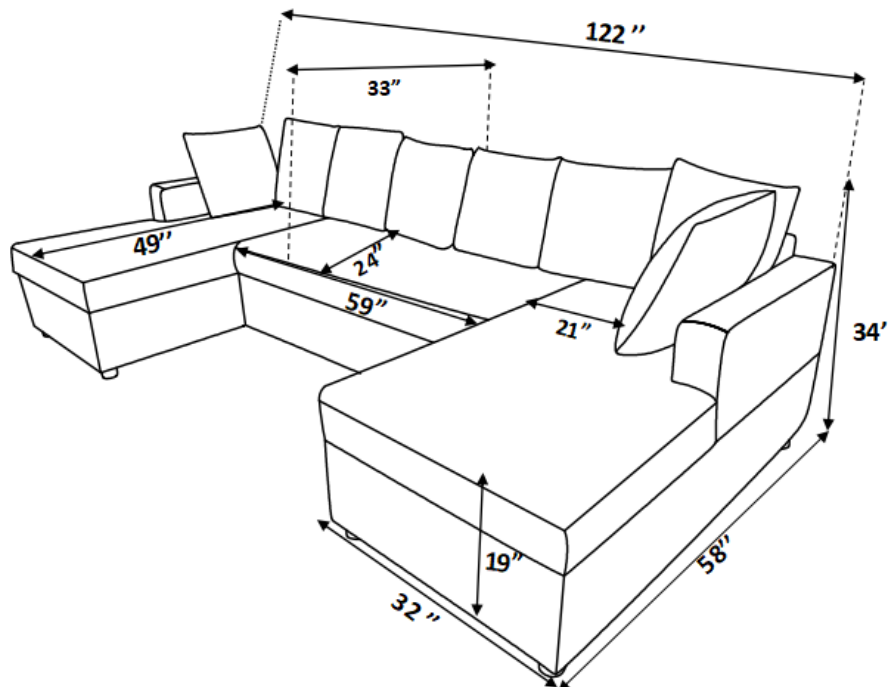
Connect the **backboard (J)** and the **front baffle (I)** to the **frame (A&S)**, place the **seat plate (Q)**, and finally place the **seat bag (F&R&U)** on the seat surface and secure it with Velcro.



5 INSTRUCTIONS FOR USE - SIZE DIMENSIONS



ASSEMBLY COMPLETED



ReclinerChair

SH001DF66L+SS001DF62N+SH001DF66R

⚠️ WARNINGS

1. Please check if the components of the chair are all included and can be used normally.
2. Assemble all components according to the instruction correctly before you connect the chair to the power.
3. Please DO NOT sit on the armrests or footrest to eliminate the risk of tipping over.
4. If the chair is damaged or doesn't match the website description, please send clear pictures of the product and label of the carton to our service team for further help.
5. If you have any questions about our products, please contact us by:

Email: customerservice@zoy-living.com (we will respond to your inquiry within 24 hours)

