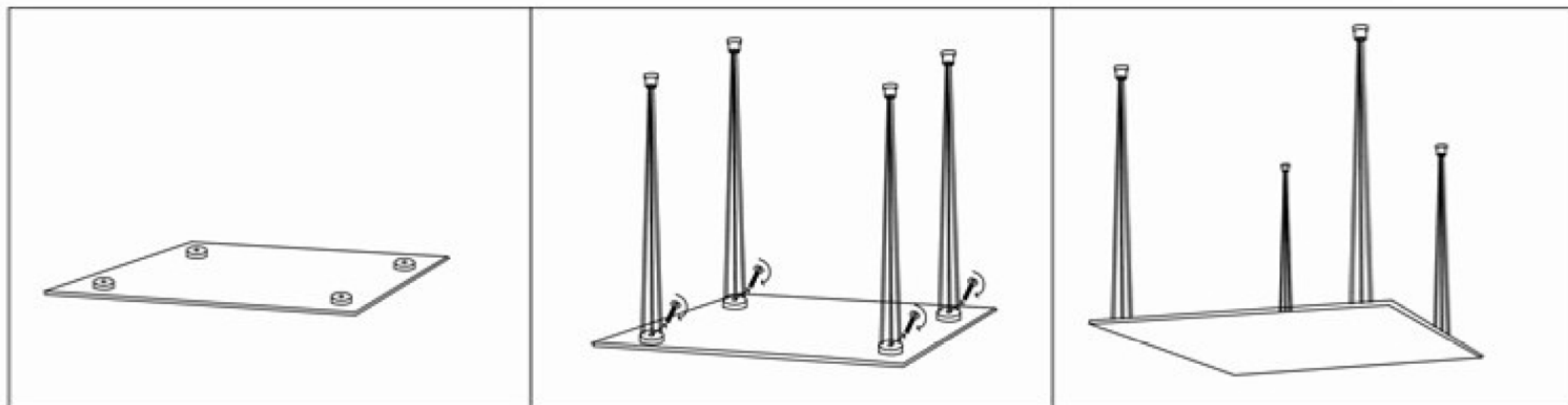







ASSEMBLE PICTURE



A			1
B			4
C		$\phi 10 \times 15$	4
D		$\phi 10$	1
E		$\phi 10$	8