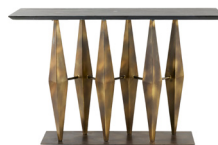
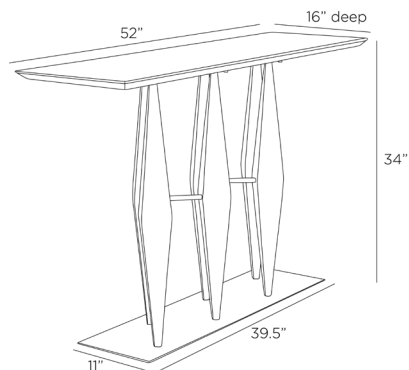


# ARTERIOS

## DAGMAR CONSOLE



FLI09

H: 34 IN, W: 52 IN, D: 16 IN

Antique Gold

Contract Recommendations: Natural stone requires periodic sealing

An Aztec-inspired console makes a timeless statement. Reminiscent of prisms or spears, the geometric antique gold base is topped with a slim surface of matte black marble. Marble veining will vary.

### APPEARANCE

Material	Iron, Marble
Finish	Antique Gold
Finish Will Vary	true
Top Coat/Sealant	true

### DIMENSIONS

Foot Print	W: 39.5 IN, D: 11 IN
Table Top	H: 1 IN, W: 52 IN, D: 16 IN
Bevel	Yes
Bevel Size	1"
Clearance	32.5"
Diagonal Dimension	38 IN

### SHIPPING

Shipping Requirements	TruckShip
Product Weight	162.7 LBS
Gross Weight 1	75.8 LBS
Gross Weight 2	109.8 LBS
Shipping Box 1	H: 43.5 IN, L: 15.5 IN, W: 37 IN
Shipping Box 2	H: 56.5 IN, L: 21.75 IN, W: 9 IN

### ADDITIONAL INFO

Features	Assembly Required
----------	-------------------

### CONTRACT

	Check all hardware connections periodically to ensure they are tightened.
Contract Suitable	Natural stone requires periodic sealing