



## **IMPORTANT, RETAIN FOR FUTURE REFERENCE: READ CAREFULLY**

### **Safety**

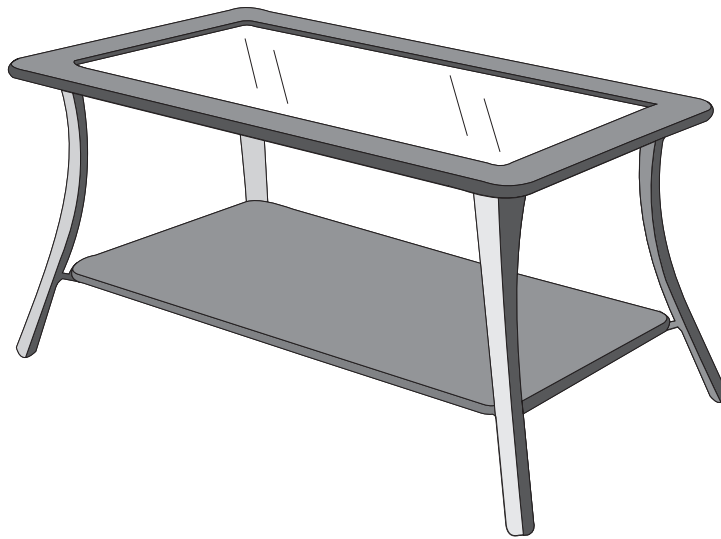
- For domestic use only.
- Always use on firm level ground.
- Don't tighten all the bolts before the product is fully assembled.
- Periodic structural checks of this product should be undertaken, do not use if you have any doubts about its fitness for purpose.
- Do not stand on the table.
- Do not sit on the table.
- Do not let children play with this product.
- This product is unrestricted to use between 14 degrees to 122 degrees. If used for more than 12 hours outside this temperature range, then rattan will stiffen or break.

### **At the beginning of the season**



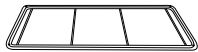


- Check to ensure that all components and fixings of this product are secure, do not use if you have any doubts about its fitness for purpose.

### **At the end of the season**

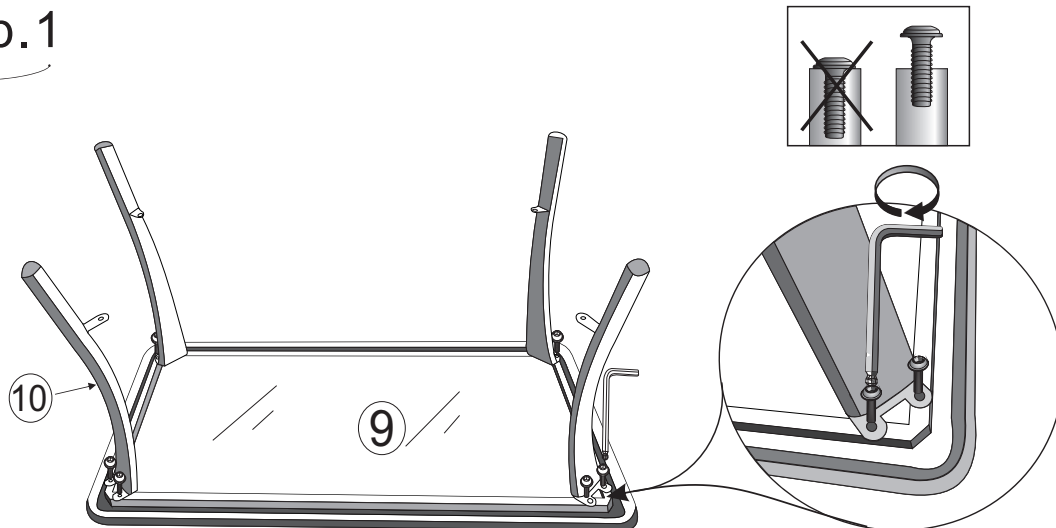
- This product should be stored under cover during prolonged spells of adverse weather (wet or cold) and also during the winter (ideally in a garden shed or garage).
- Always clean and dry thoroughly before storage.



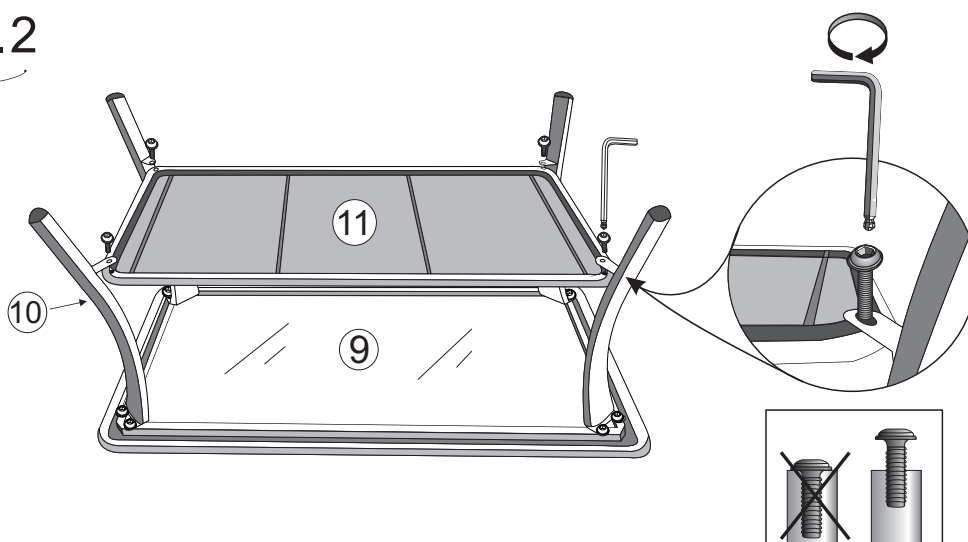
**Parts List:**

NO.	Part	Qty	Image	NO.	Part	Qty	Image
9	Glass Table Top	1		10	Table leg	4	
11	Lower Shelf	1					
D	Screw (6x15mm)	12		L	Allen wrench	1	

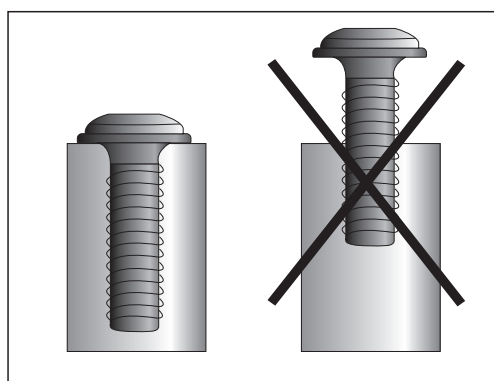
### Step.1



### Step.2



### Step.3



After all screws were inserted, please tighten all of them all the way through.