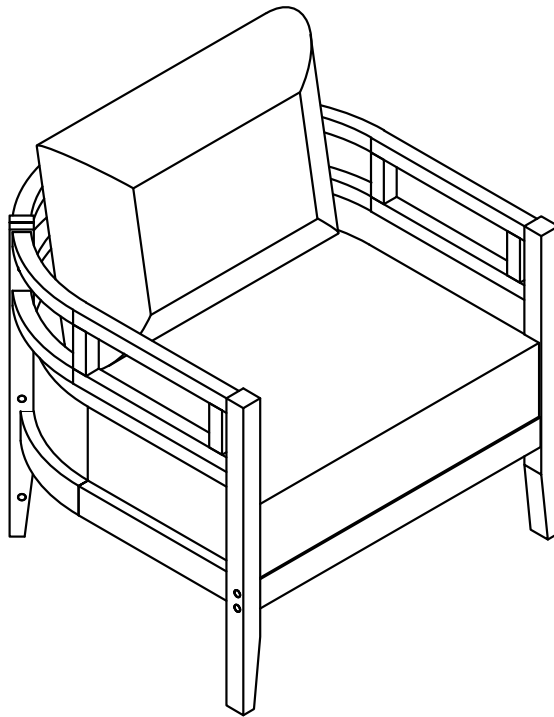


Outdoor Club Armchair

SKU WHOF2288-CH



ASSEMBLY INSTRUCTIONS



30 min. assembly

2 people


*The estimated assembly time may vary depending on the individual.

Hey, there

Now is assembly time!

Deeeeeeep breathe.... and again....
Tools ready,
Easy peasy!

Estimated

 **30** min. assembly
2 people

Tools Required

- Hex key (included)

important: Cautious when you use power tools

Need Help?

Call us at +1 909 548 6688
Email customerservice@luxenhome.com
Submit a ticket on www.luxenhome.com/help

Thank you for purchasing this LuxenHome product. This product has been manufactured with the highest standards of safety and quality.

PLEASE READ ALL INSTRUCTIONS CAREFULLY BEFORE ASSEMBLY.

Un pack all parts from the packaging inside the carton to ensure there are no missing or damaged parts. Lay out all the parts on a clean, flat, and soft surface to prevent scratches. Refer to the steps provided as assembling guide.

Do not attempt to assemble or use the product if any parts are missing or damaged.

REMINDERS

SAFE USAGE IS KEY

Your well-being is our top priority when you use our product. Please prioritize your safety by diligently following the assembly guidelines and inspecting the product carefully both when it arrives and before each use.

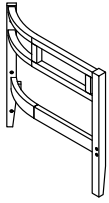
Please be aware that LuxenHome and Winsome House, Inc. cannot be held liable for any injuries or fatalities that occur due to not adhering to the provided instructions or misuse of the product.

DO NOT MODIFY

Our products undergo rigorous testing to ensure they meet established safety standards before being released for sale. Altering the product in any way can lead to serious safety concerns, for which LuxenHome cannot assume responsibility.

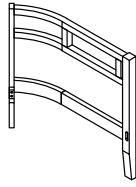
What's in the box

Parts



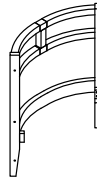
A X 1

Right side panel



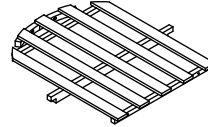
B X 1

Left side panel



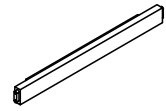
C X 1

Single Backrest



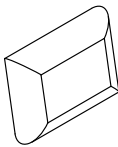
D X 1

Single Seat



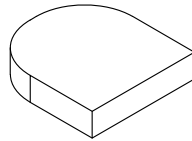
E X 1

Single Rail bar



F X 1

Backrest cushion Single



G X 1

Seat cushion Single

Hardware & Accessory



1 X 6+1

M6 x 30mm



2 X 6+1

M6 x 15mm



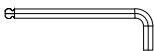
3 X 4+1

M6 x 80mm



4 X 4+1

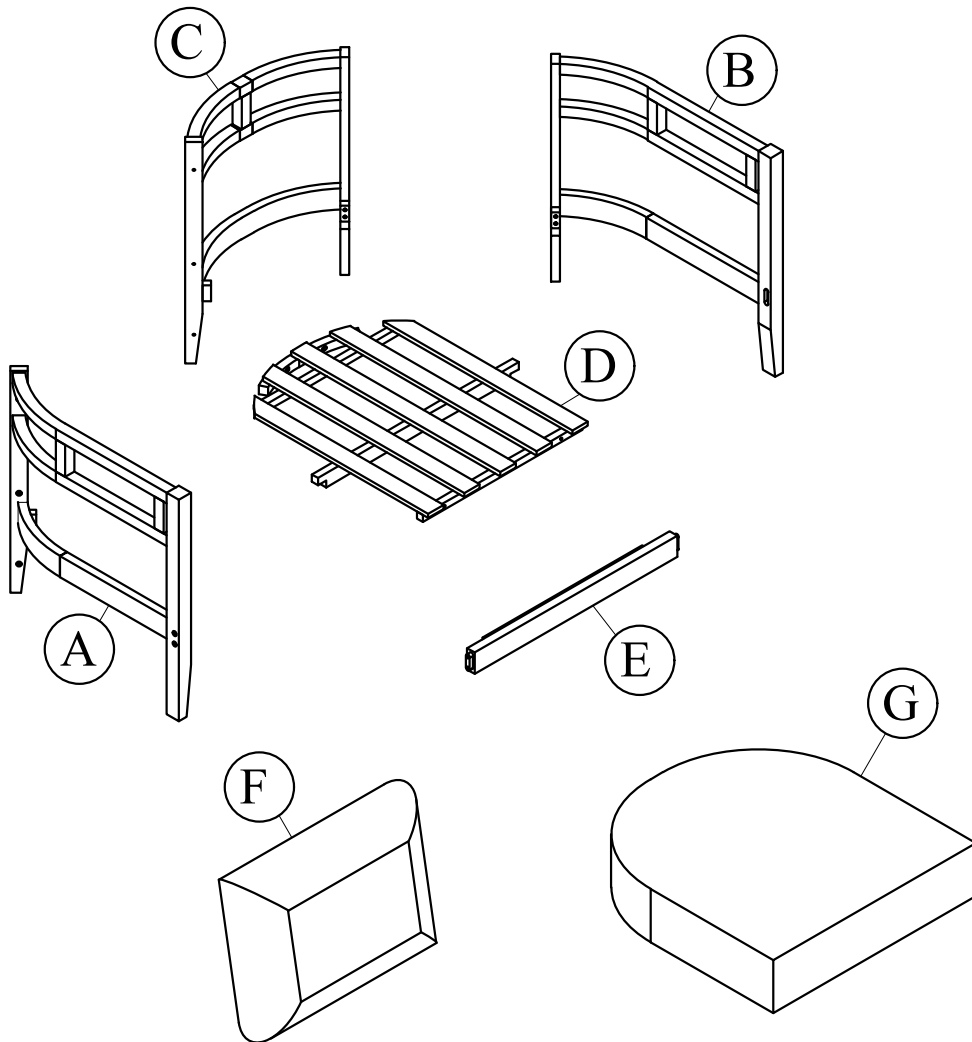
M6 x 35mm



5 X 2

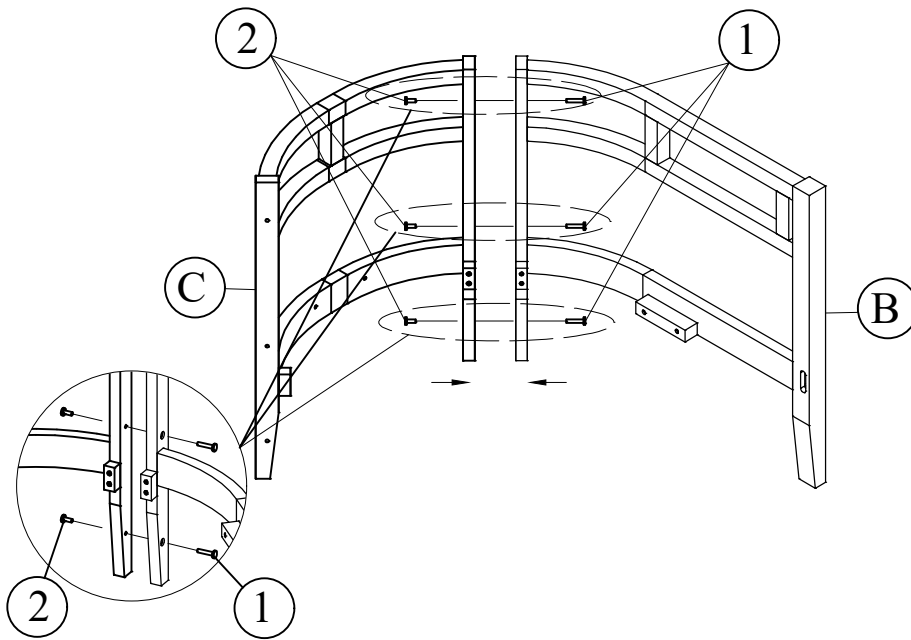
100 x 30 mm




Assembly



Step 1

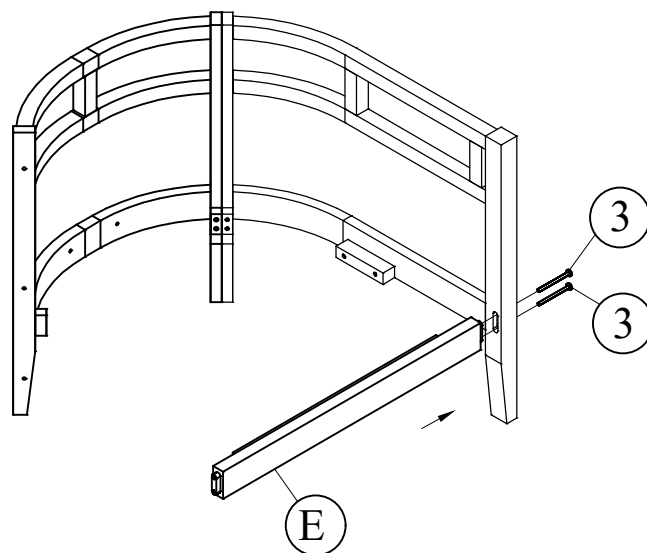
Attach the part C to the part B. Insert the cap (2) and bolt (1) using the hex key (5) to tighten as shown.




C1x32

M6 x 30mm
2x3

M6 x 15mm
5x22

100 x 30 mm

Step 2

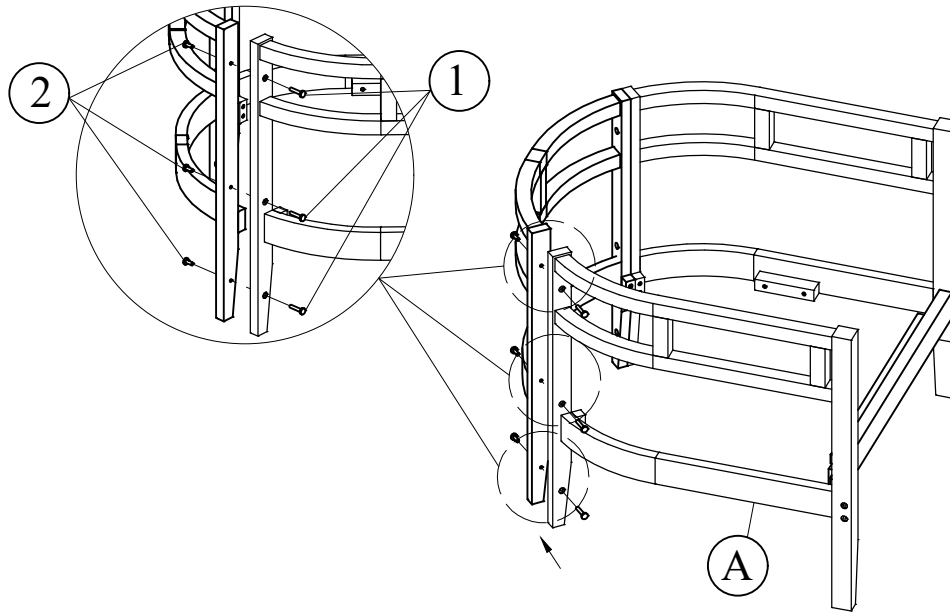
Attach the parts E to the part B using screw (3) and tighten as shown.





3x22

M6 x 80 mm

Step 3

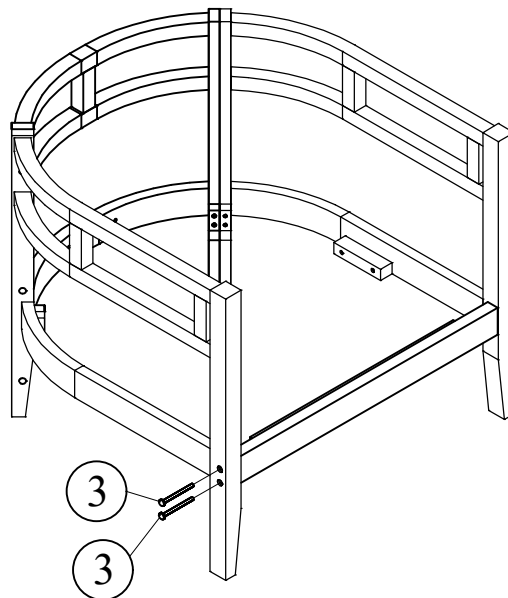
Attach the part A to the part C. Insert the cap (2) and bolt (1) and tighten as shown.




C1x32

M6 x 30mm
2x3

M6 x 15mm

Step 4

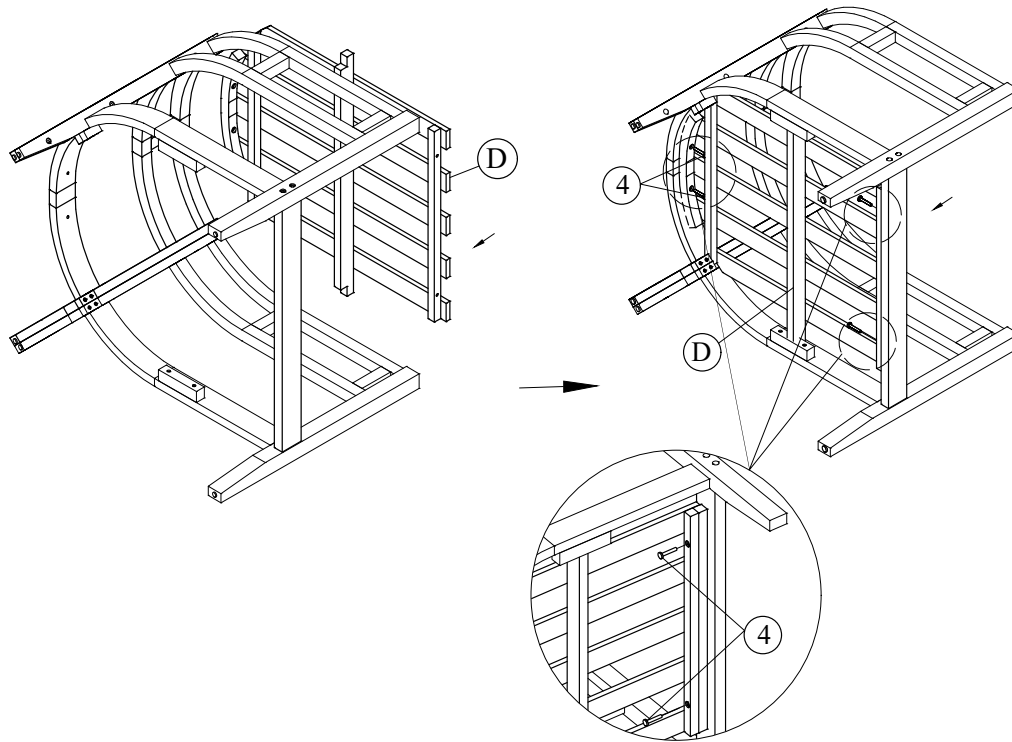
Using screw (3) and tighten as shown.



3x22

M6 x 80 mm

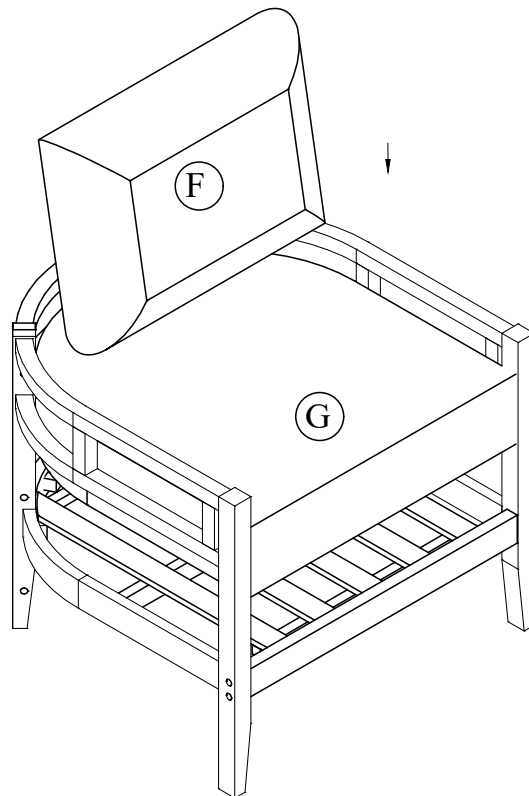
Step 5

insert the screw (4) into parts D and tighten as shown.

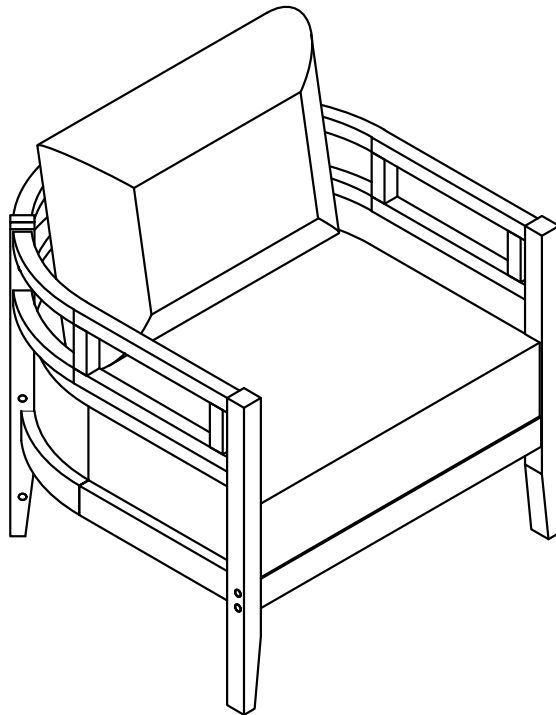


Step 6

Put the cushion part G,F on the seat frame of the chair as shown.



VOILA!
Now enjoy.



Warning

DO NOT stand or jump on the chair as this may damage the product and cause serious bodily injury.

Something not right?

We are always here to help.

We make mistakes like every human does.

Though we always strive to provide the best possible products at competitive prices and the best service in the industry, it's not possible to completely eliminate mistakes. If you experience any dissatisfaction, feel free to contact us immediately. Our in-house customer care team will respond ASAP.



customerservice@luxenhome.com
Get response within 24 hrs



909.548.6688
Mon-Fri 9am-5pm PST/PDT



www.luxenhome.com/help
Submit a ticket on our website

Things to do to expedite the process

- Have your order# ready
- Take photos/videos to help us better identify the issues
- DO NOT throw away the packaging

Happy with our product?

Leave us a review

It really help us as a small business

- Find the product you purchased on our website (tip: search by SKU) and leave us a review.
- Alternatively, you can always return to the marketplace where you purchased it and leave a review there.

Share with others

Our customers look for REAL stuff



- Follow us on IG @luxen.home
- Share your #liveluxen moments



**Please save this manual
for future reference.**