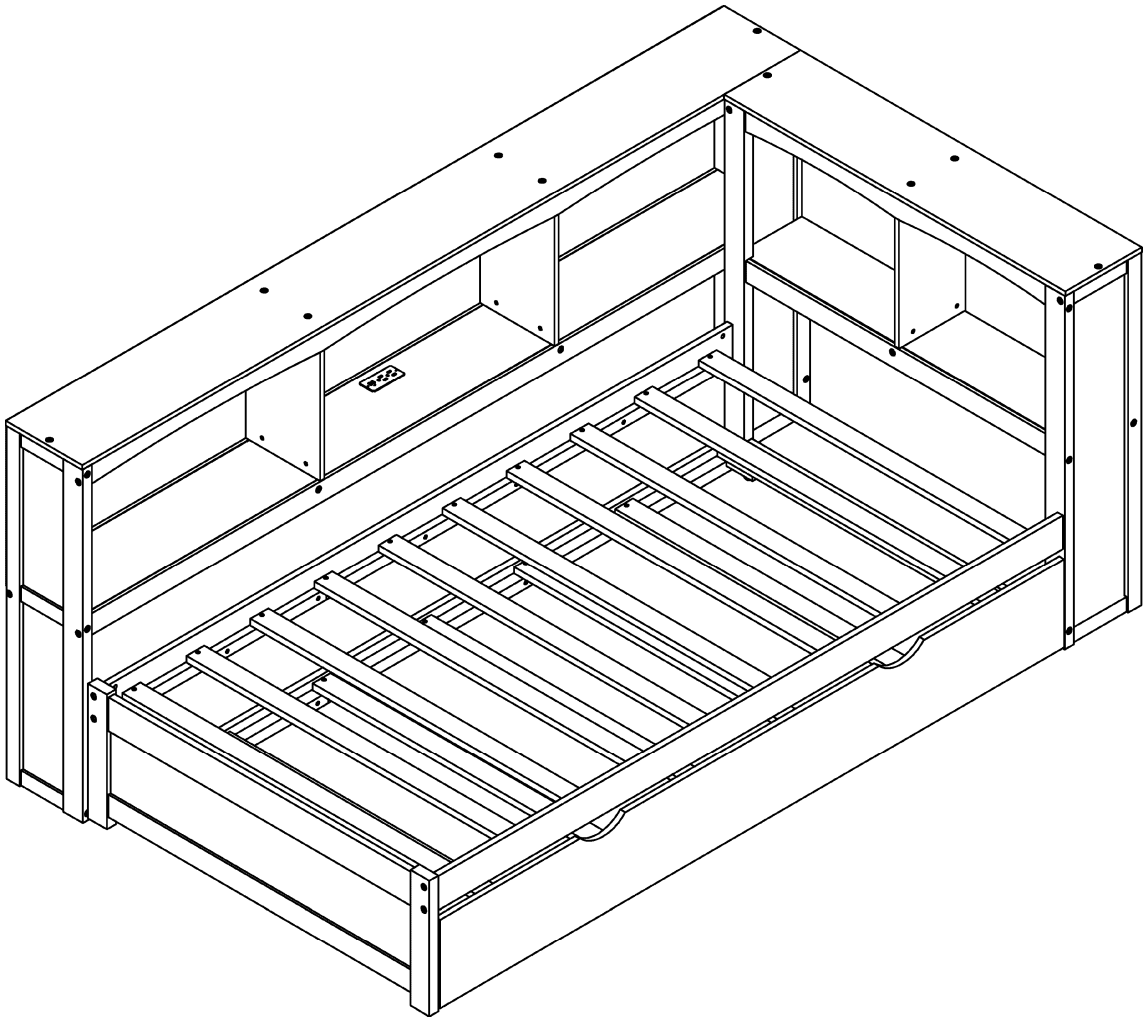
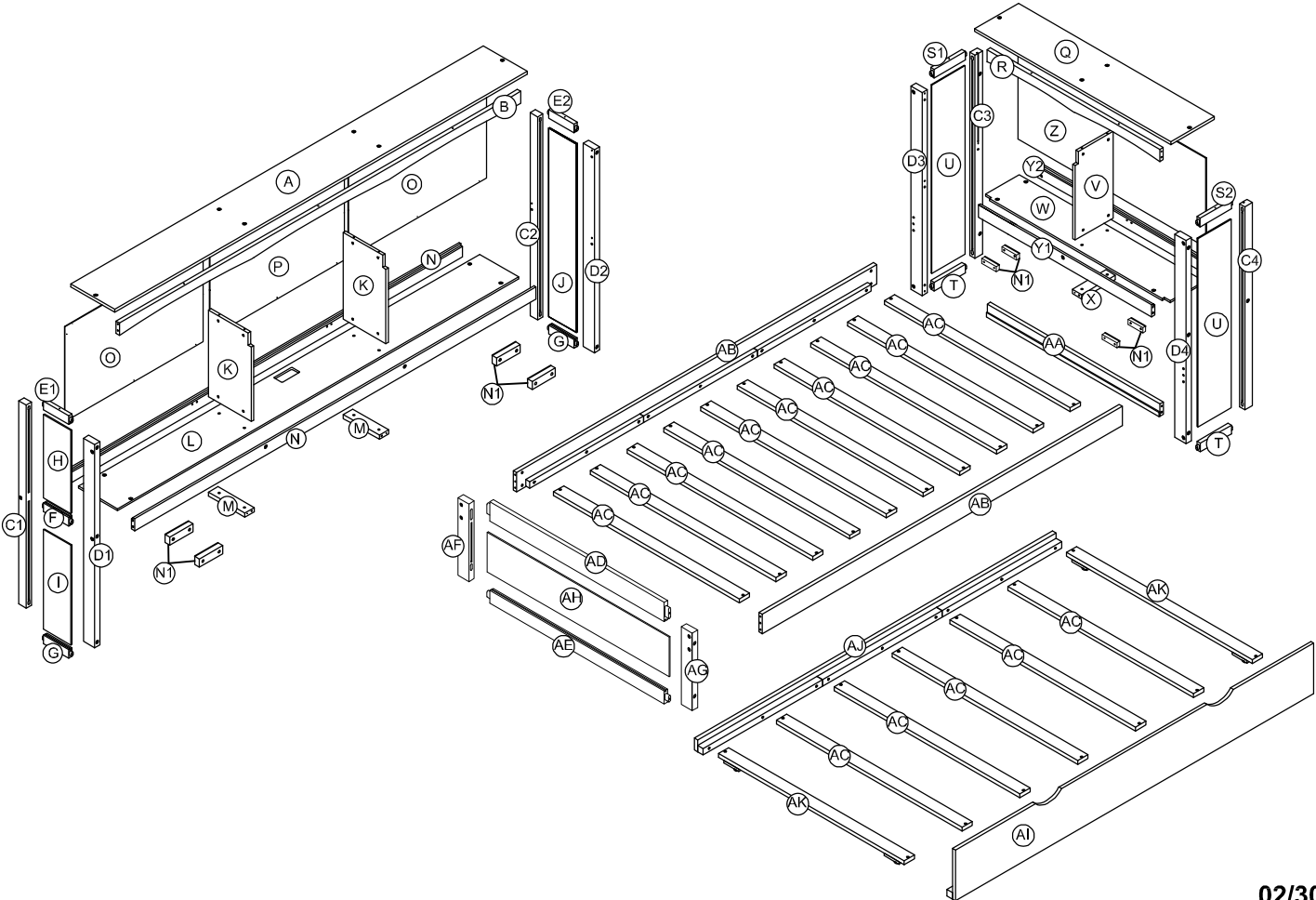


# ASSEMBLY INSTRUCTION



# ASSEMBLY INSTRUCTION



# Part List

C1

WoodBar-1pc



C2

WoodBar-1pc



C3

WoodBar-1pc



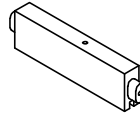
C4

WoodBar-1pc



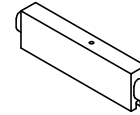
E1

WoodBar-1pc



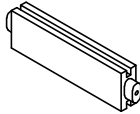
E2

WoodBar-1pc



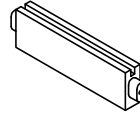
F

WoodBar-1pc



G

WoodBar-2pcs



H

Panel-1pc



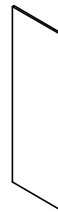
I

Panel-1pc



J

Panel-1pc



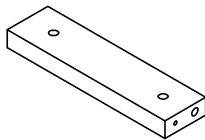
K

Panel-2pcs



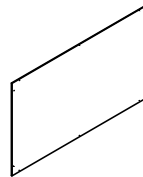
M

WoodBar-2pcs



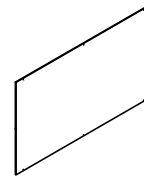
O

Panel-2pcs



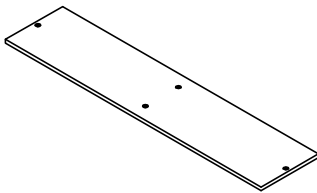
P

Panel-1pc



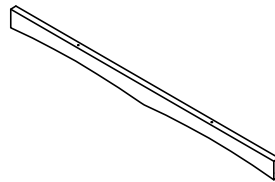
Q

Top Panel-1pc



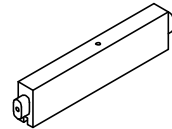
R

WoodBar-1pcs



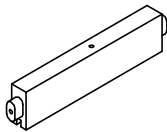
S1

WoodBar-1pc



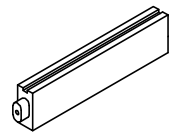
S2

WoodBar-1pc



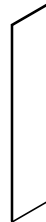
T

WoodBar-2pcs

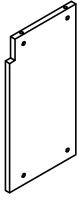
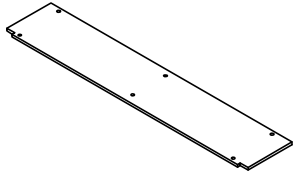
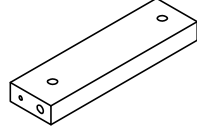


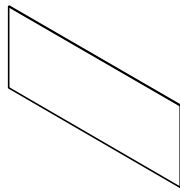

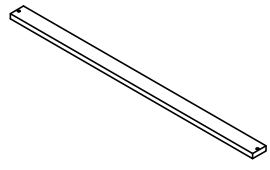
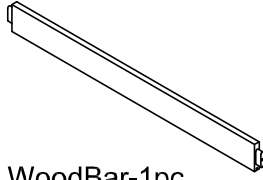
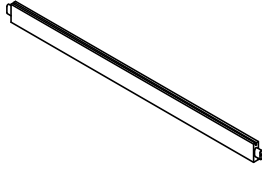
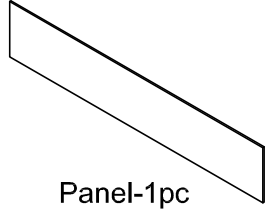
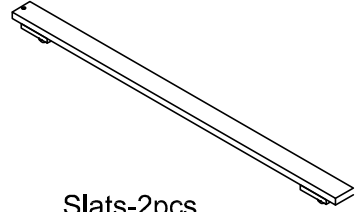


U

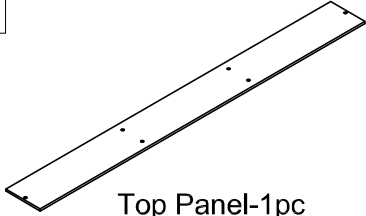





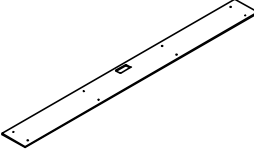
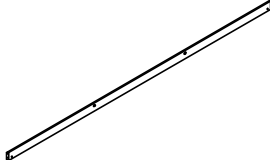
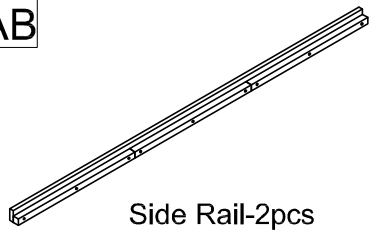


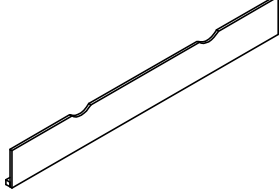
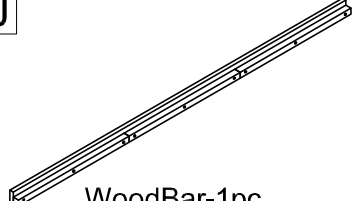
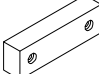
Panel-2pcs




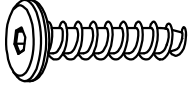





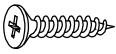

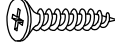
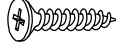


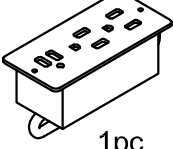
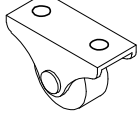
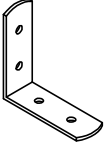
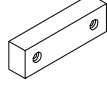

# Part List

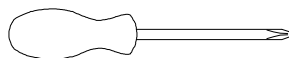
<p>V</p>  <p>Panel-1pc</p>	<p>W</p>  <p>Panel-1pc</p>	<p>X</p>  <p>WoodBar-1pc</p>
<p>Y1</p>  <p>WoodBar-1pc</p>	<p>Y2</p>  <p>WoodBar-1pc</p>	<p>Z</p>  <p>Panel-1pc</p>
<p>AA</p>  <p>WoodBar-1pc</p>	<p>AC</p>  <p>Slats-15pcs</p>	<p>AD</p>  <p>WoodBar-1pc</p>
<p>AE</p>  <p>WoodBar-1pc</p>	<p>AH</p>  <p>Panel-1pc</p>	<p>AK</p>  <p>Slats-2pcs</p>

# Part List & Hardware

<p><b>A</b></p>  <p>Top Panel-1pc</p>	<p><b>B</b></p>  <p>WoodBar-1pc</p>	<p><b>D1</b></p>  <p>WoodBar-1pc</p>
<p><b>D2</b></p>  <p>WoodBar-1pc</p>	<p><b>D3</b></p>  <p>WoodBar-1pc</p>	<p><b>D4</b></p>  <p>WoodBar-1pc</p>
<p><b>L</b></p>  <p>Panel-1pc</p>	<p><b>N</b></p>  <p>WoodBar-2pcs</p>	<p><b>AB</b></p>  <p>Side Rail-2pcs</p>
<p><b>AF</b></p>  <p>WoodBar-1pc</p>	<p><b>AG</b></p>  <p>WoodBar-1pc</p>	<p><b>AI</b></p>  <p>Panel-1pc</p>
<p><b>AJ</b></p>  <p>WoodBar-1pc</p>	<p><b>N1</b></p>  <p>WoodBar-8pcs</p>	




# Hardware List

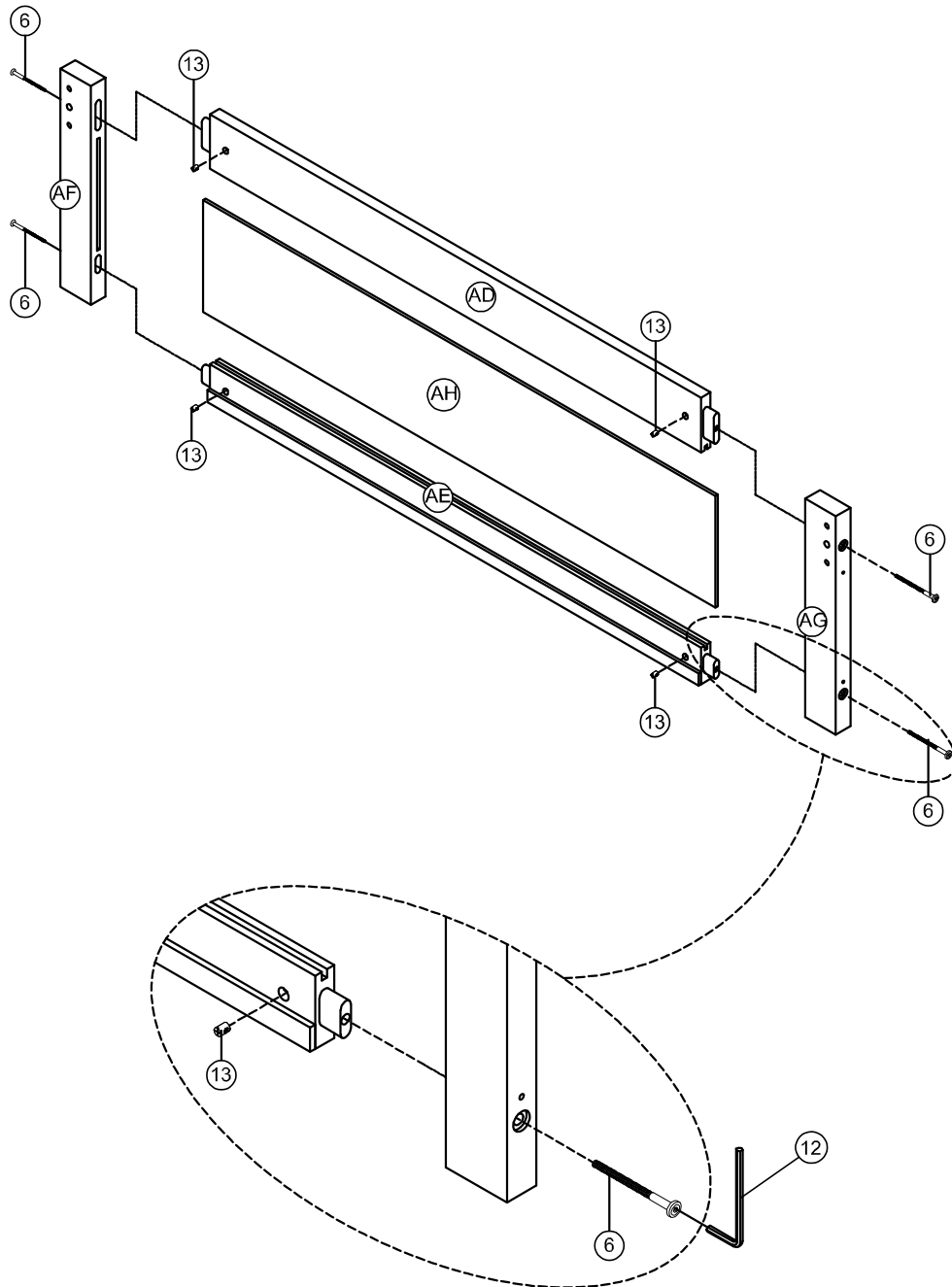
<p>1</p>  <p>Screws 1/4" x 30 4pcs</p>	<p>2</p>  <p>Screws 1/4" x 50 21pcs</p>	<p>3</p>  <p>Screws 1/4" x 80 7pcs</p>
<p>4</p>  <p>Ø1/4" x 60 mm Hex-Head bolst 8pcs</p>	<p>5</p>  <p>Ø1/4" x 70 mm Hex-Head bolst 18pcs</p>	<p>6</p>  <p>Ø1/4" x 100 mm Hex-Head bolst 10pcs</p>
<p>7</p>  <p>Ø10 x 40 Wooden dowel 24pcs</p>	<p>8</p>  <p>M3 x 12 Wood Screws 2pcs</p>	<p>9</p>  <p>M3 x 15 Wood Screws 20pcs</p>
<p>10</p>  <p>M4 x 15 Wood Screws 20pcs</p>	<p>11</p>  <p>M4 x 30 Wood Screws 60pcs</p>	<p>12</p>  <p>Allen Key 1pc</p>
<p>13</p>  <p>Ø1/4" x 13 mm Horizontal-Hole bolts 40pcs</p>	<p>14</p>  <p>1pc</p>	<p>15</p>  <p>Wheel 4pcs</p>
<p>16</p>  <p>Steel Bracket 3pcs</p>	<p>17</p>  <p>WoodBar-2pcs</p>	<p>18</p>  <p>Ø1/4" x 50 mm Hex-Head bolst 6pcs</p>







**Assembly Tools Required (Not Included)**

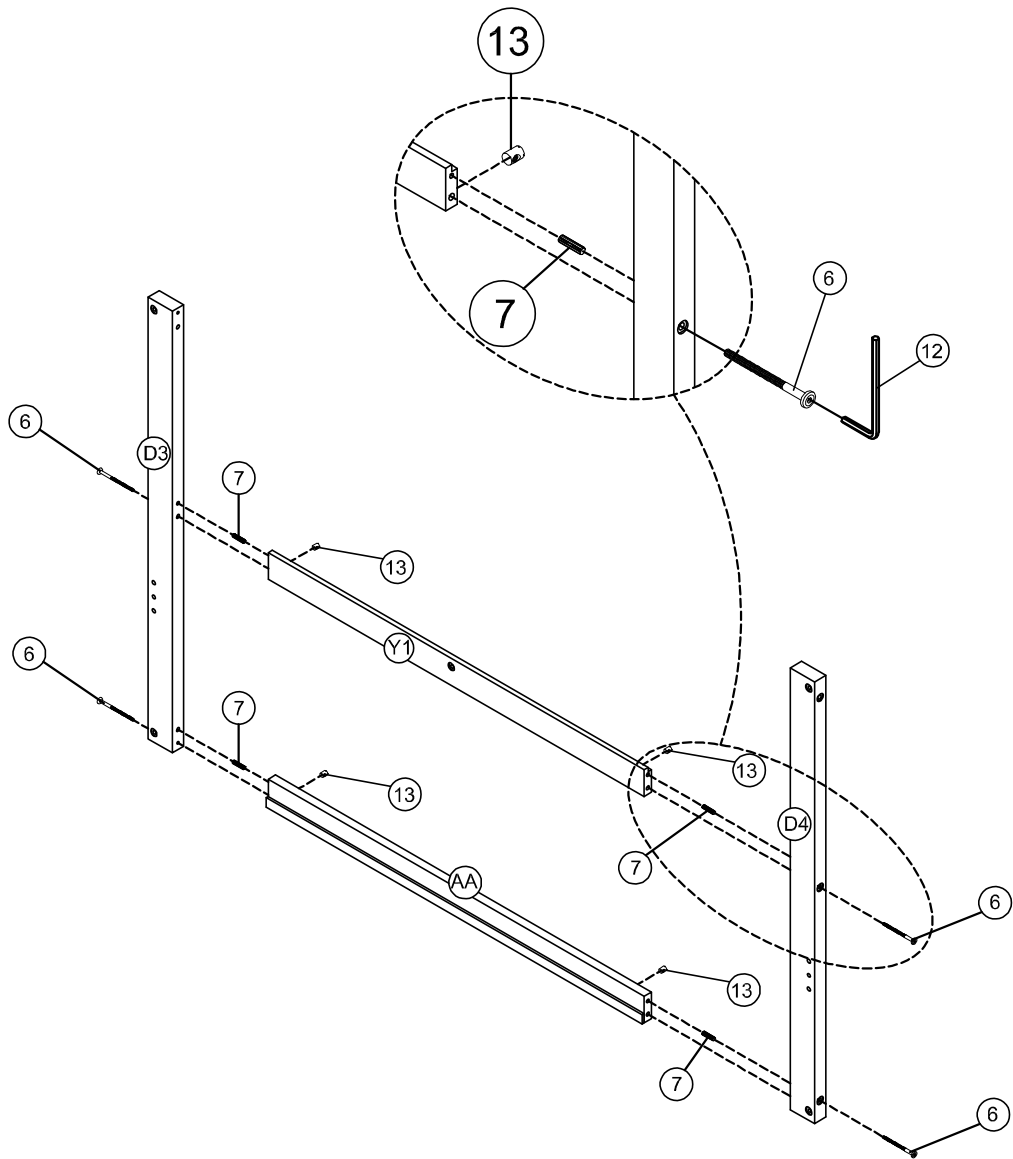
**STEP 1:** Following below illustration.

<b>13</b> 	<b>12</b> 	<b>6</b> 
4pcs	1pc	4pcs







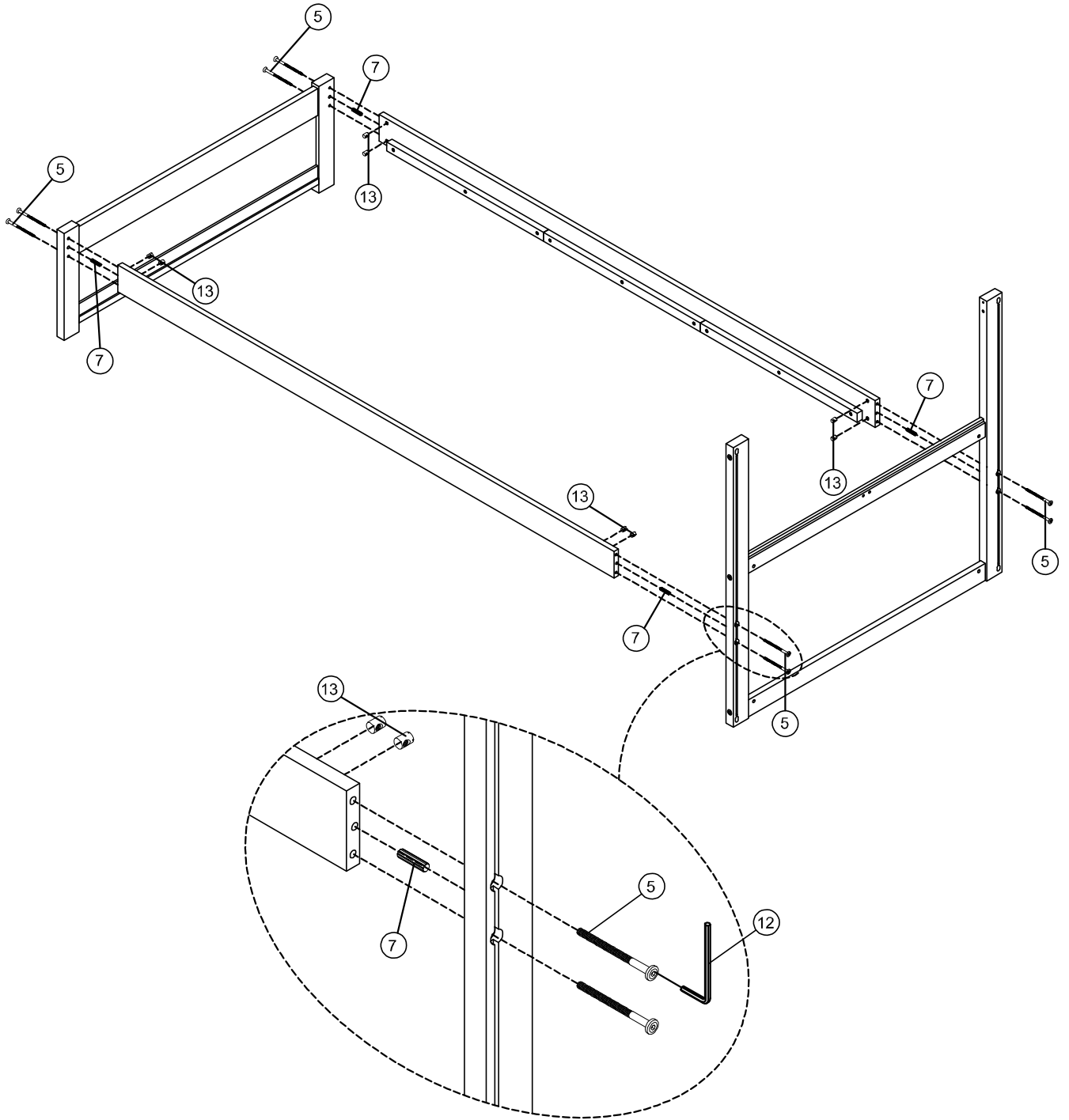
**STEP2:** Following below illustration.

13 	12 	7 	6 
4pcs	1pc	4pcs	4pcs





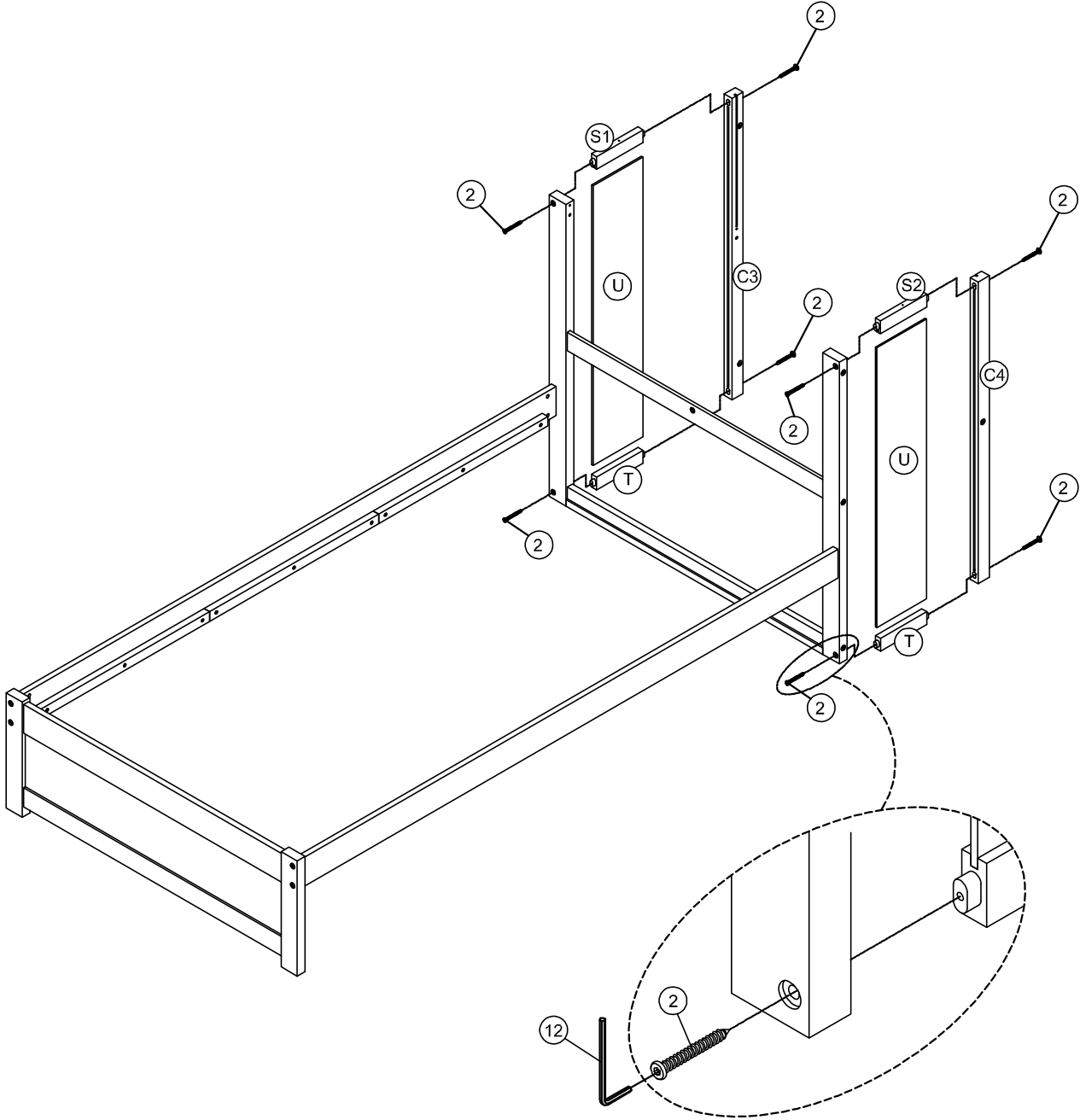
**STEP3:** Following below illustration.

<b>13</b> 	<b>12</b> 	<b>7</b> 	<b>5</b> 
8pcs	1pc	4pcs	8pcs




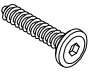



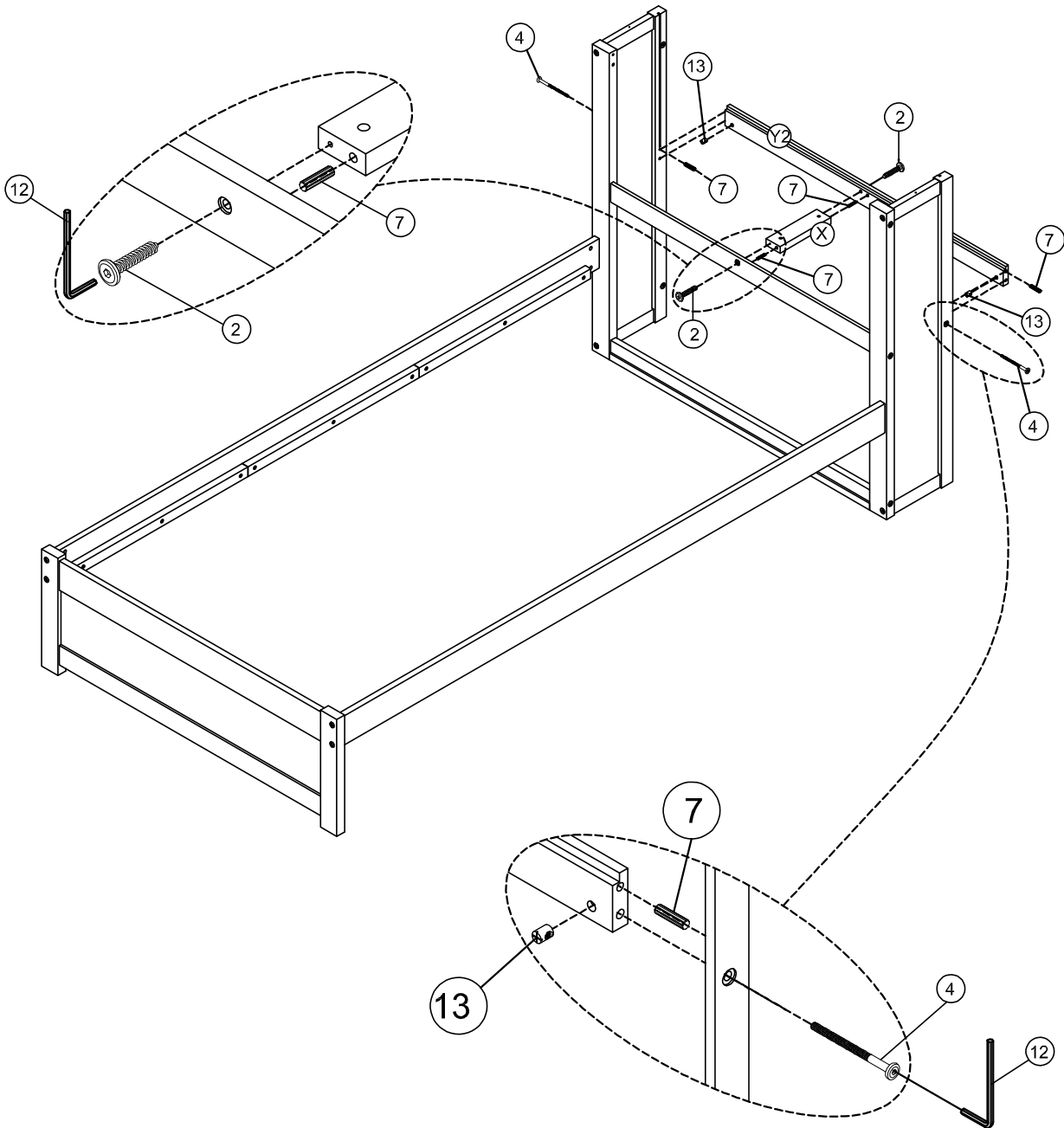
**STEP4:** Following below illustration.

12	2
	
1pc	8pcs



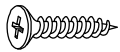
**STEP5:** Following below illustration.

12	7	4	2
			
1pc	4pc	2pcs	2pcs
13			
			
2pcs			

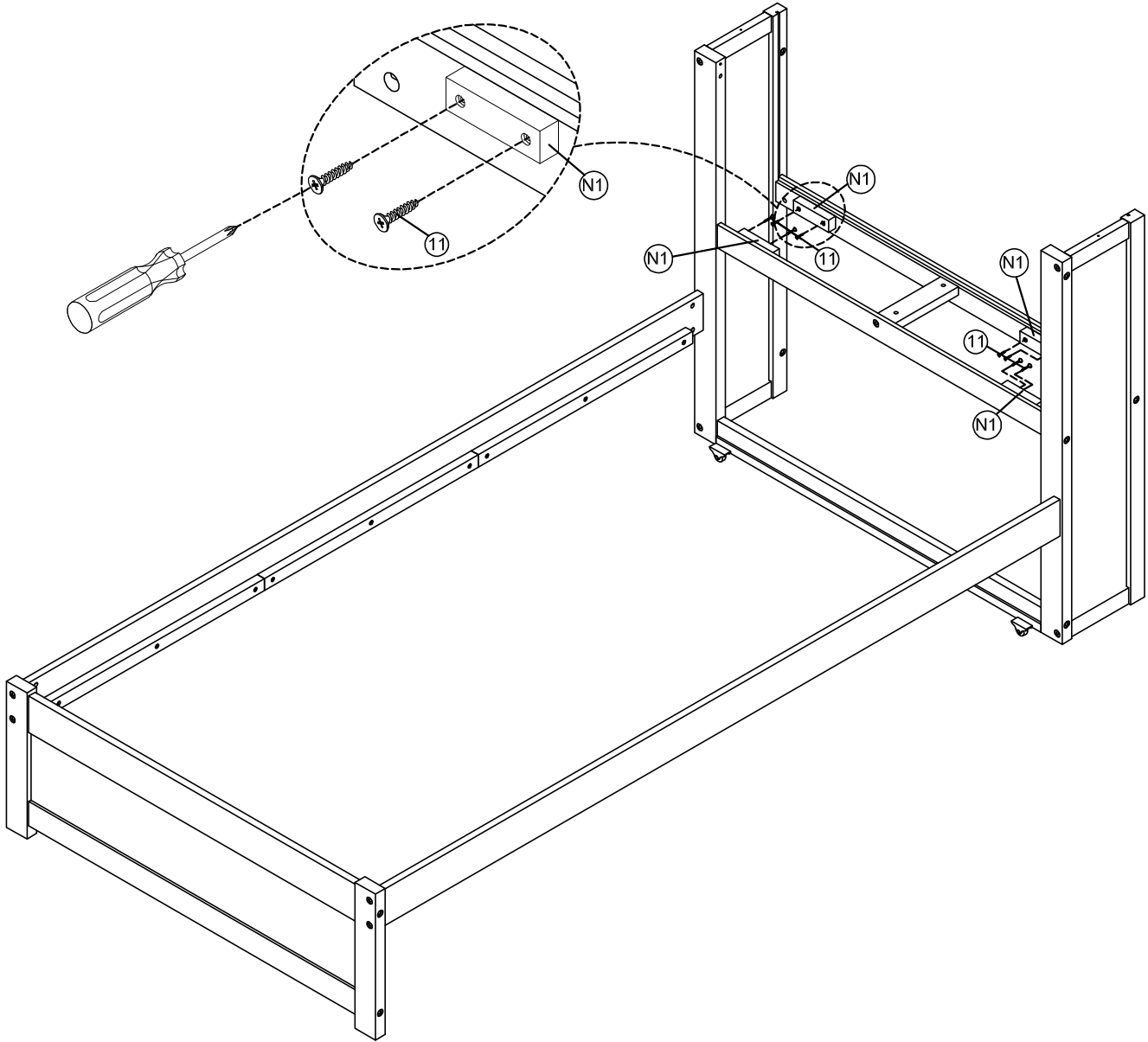


**STEP6:** Following below illustration.

11



8pc

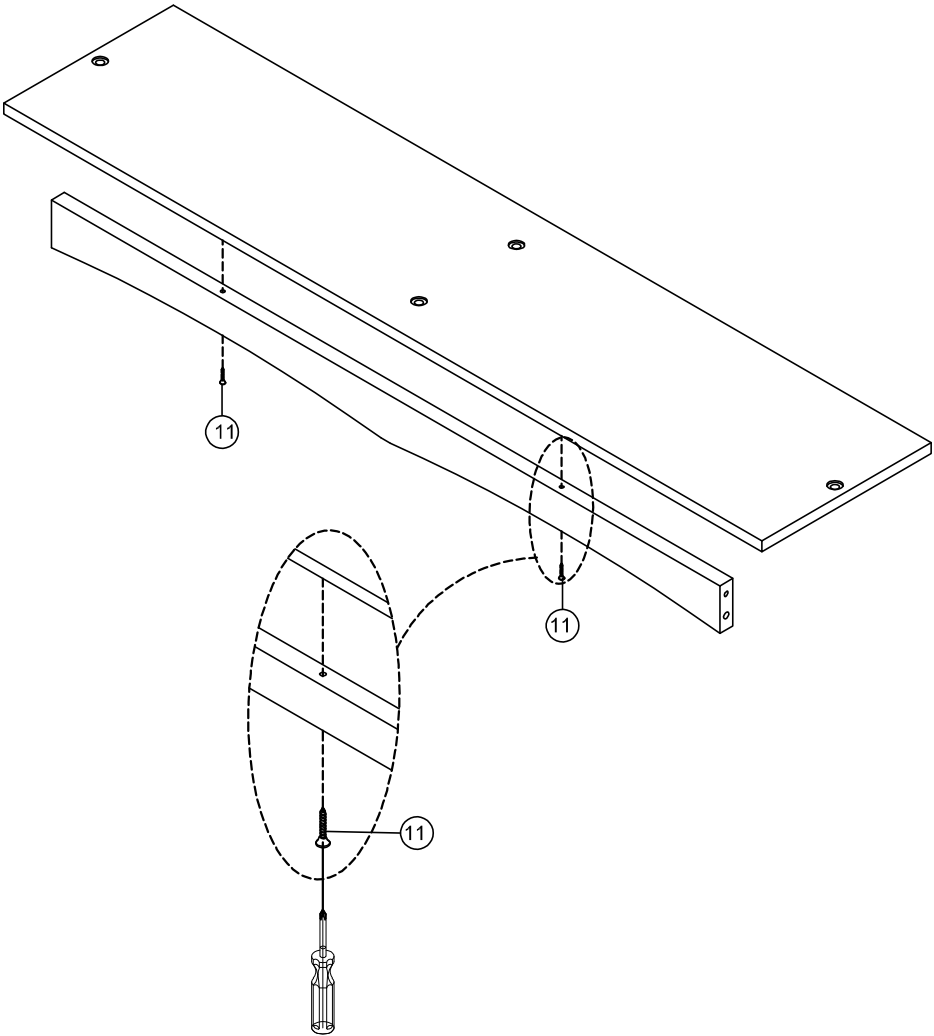


**STEP 7:** Following below illustration.





**11**

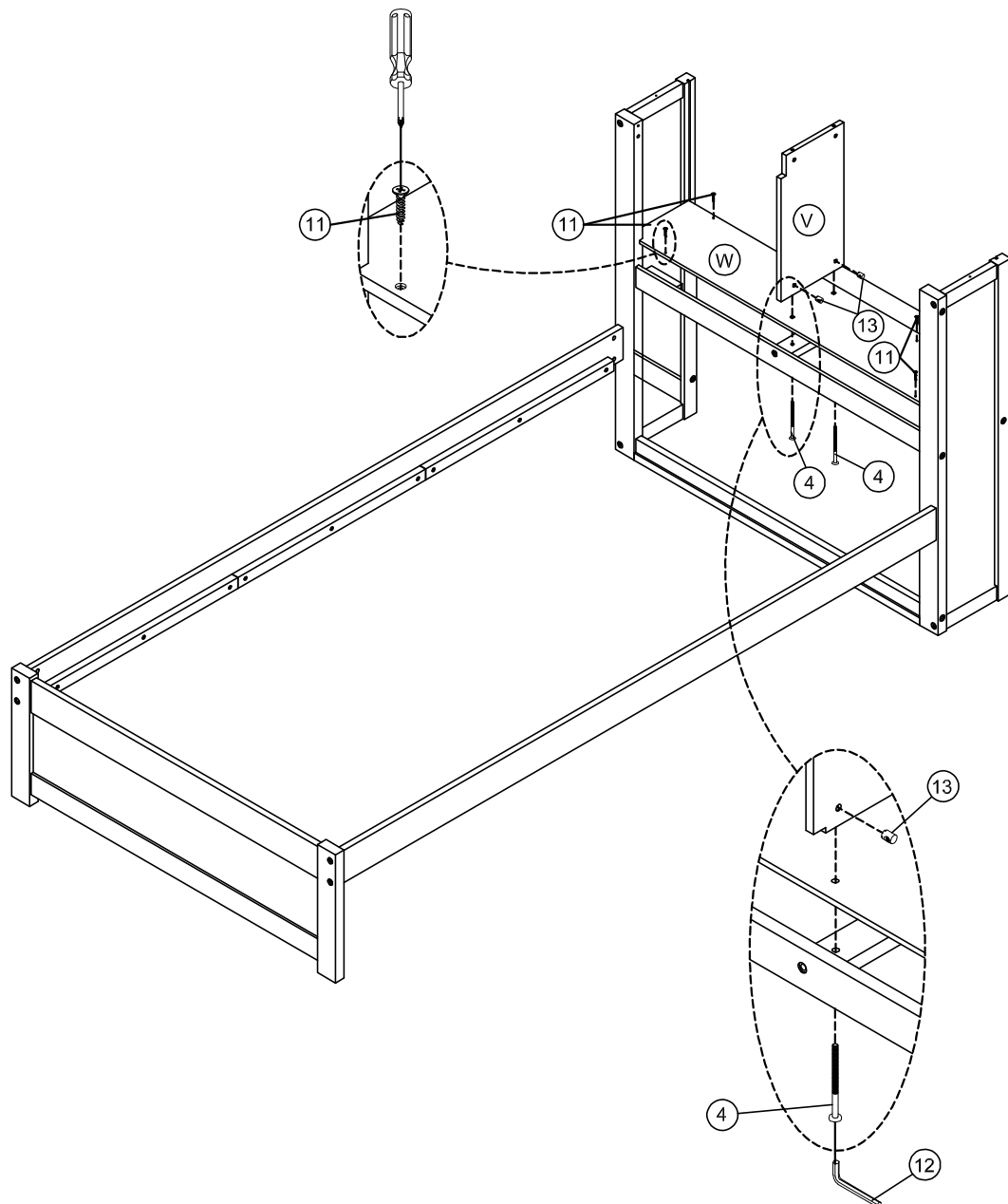


M4 x 30  
2pcs




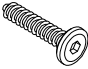




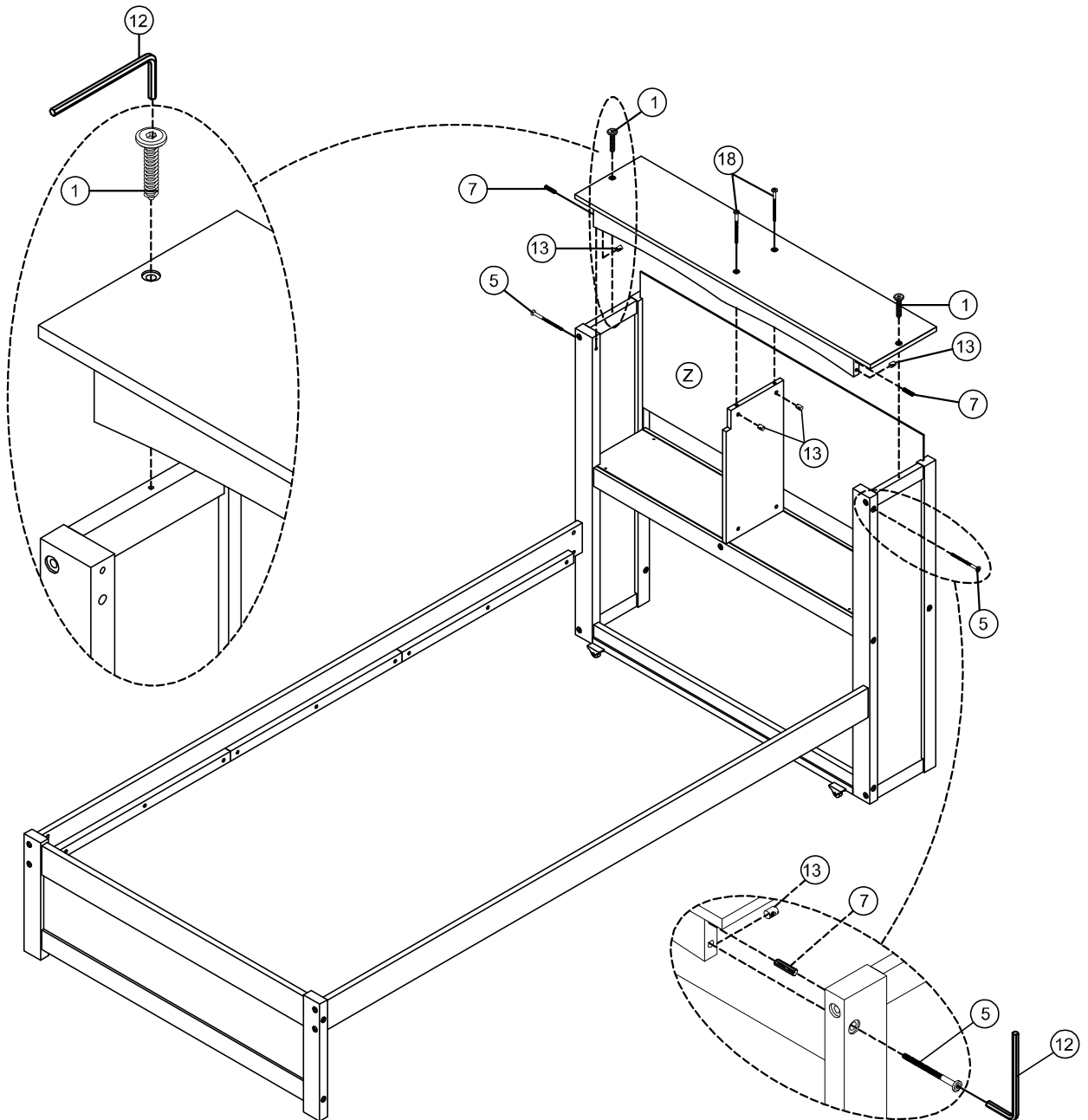
**STEP8:** Following below illustration.

<b>12</b> 	<b>11</b> 	<b>4</b> 
1pc	4pcs	2pcs
<b>13</b> 		
2pcs		

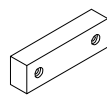




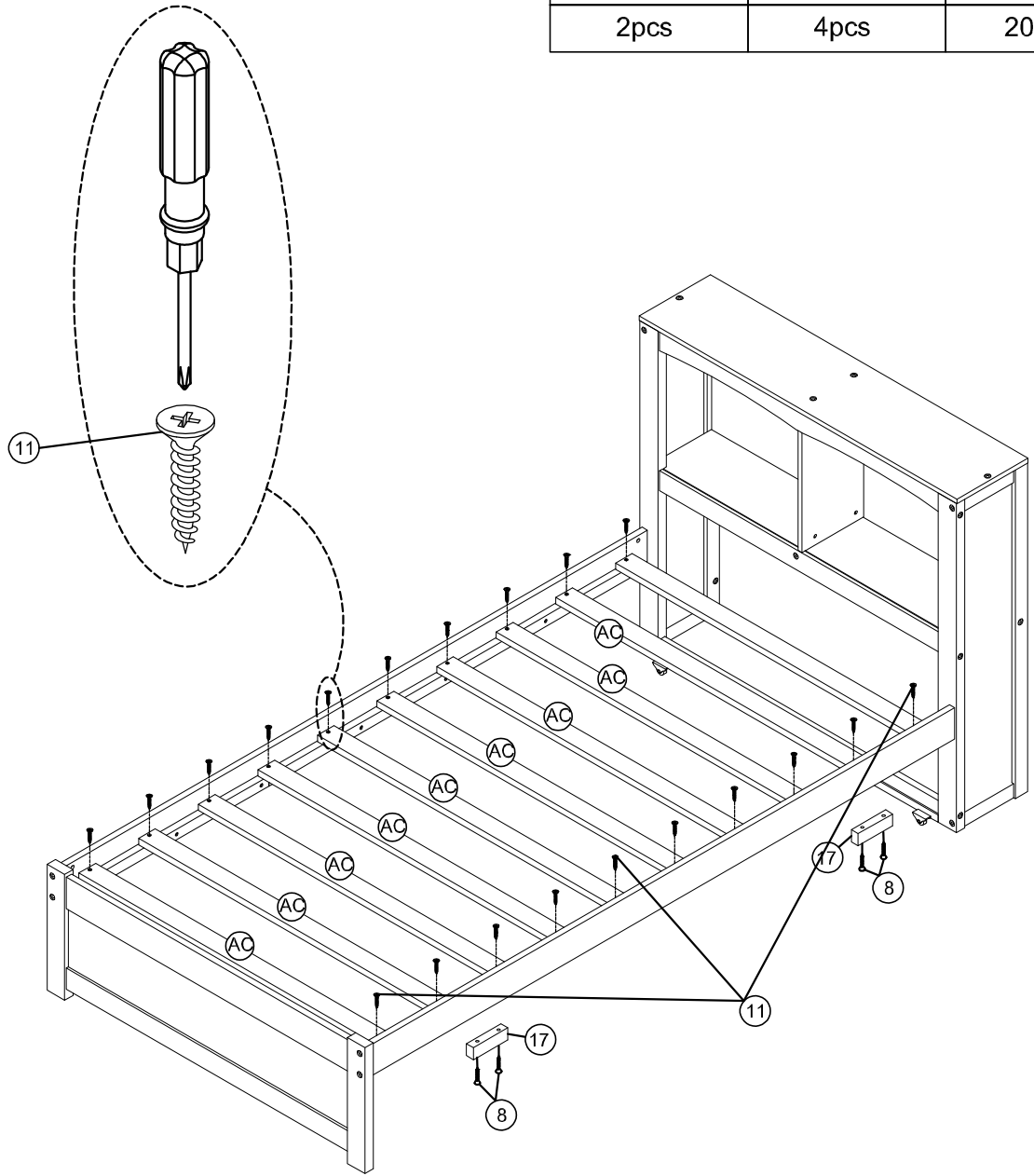
**STEP9:** Following below illustration.

<p>7</p> 	<p>5</p> 	<p>18</p> 	<p>1</p> 
<p>2pcs</p>	<p>2pcs</p>	<p>2pcs</p>	<p>2pcs</p>
<p>13</p> 		<p>12</p> 	
<p>4pcs</p>		<p>1pc</p>	





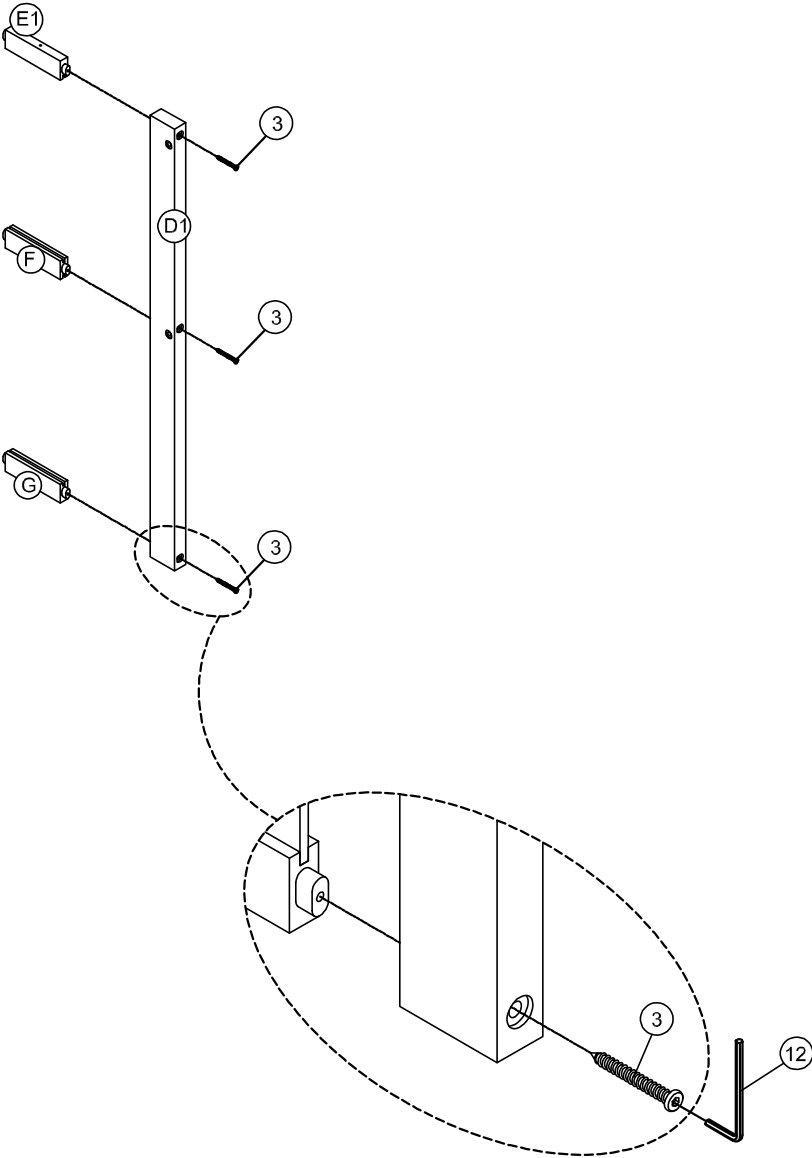
# STEP 10: Following below illustration.

17 	8 	11 
2pcs	4pcs	20pcs





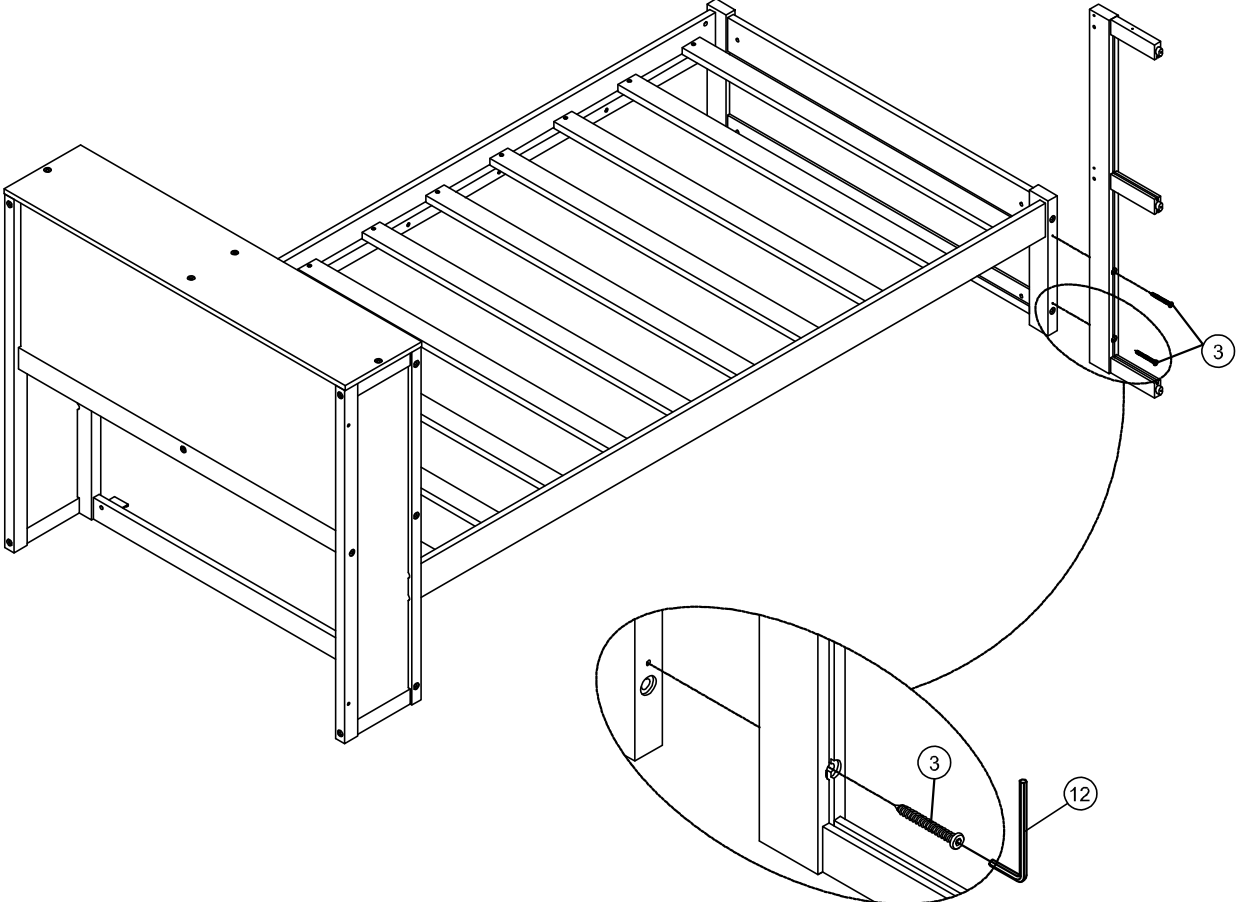
**STEP 11:** Following below illustration.

<b>12</b> 	<b>3</b> 
1pc	3pcs





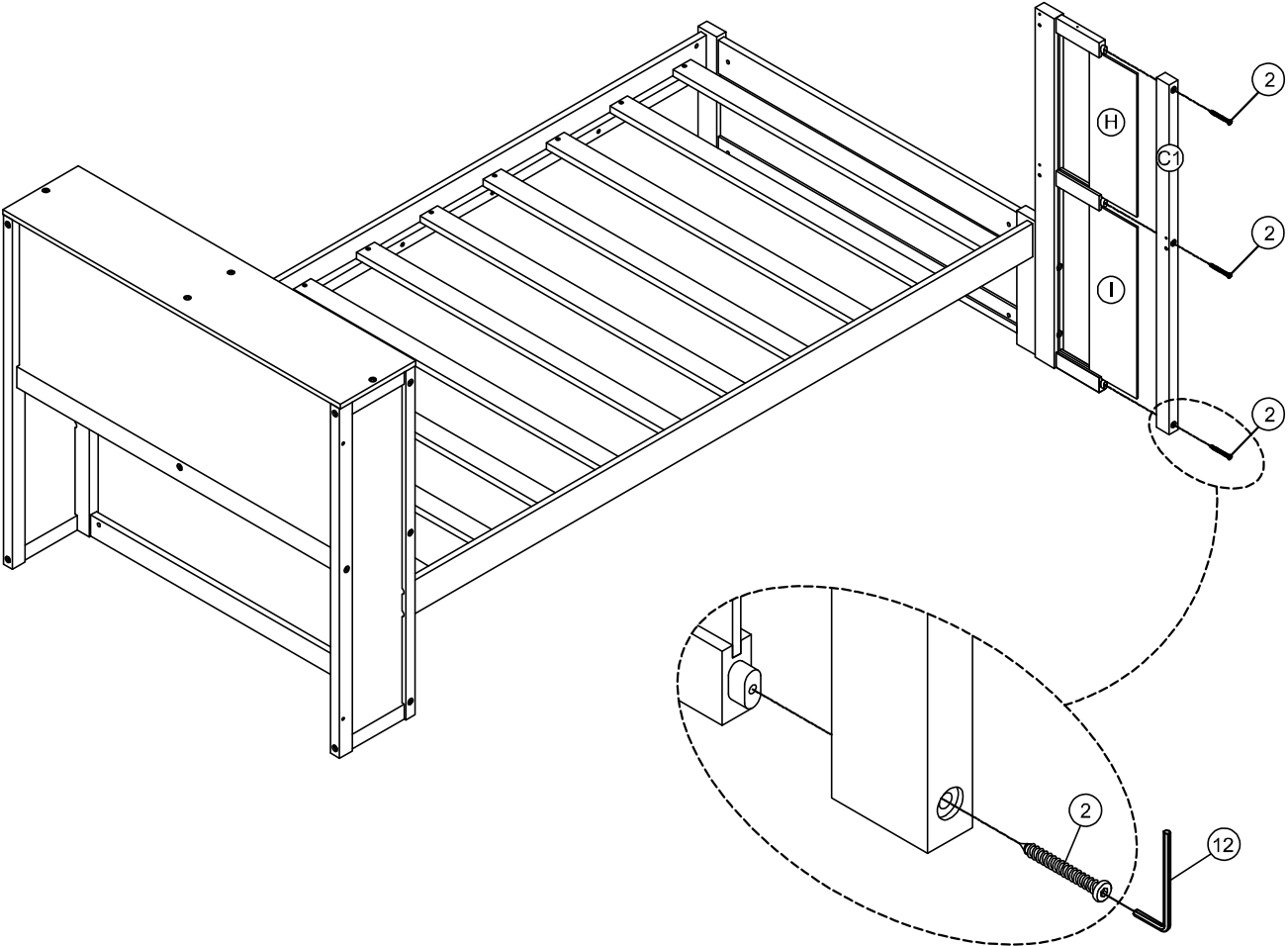
**STEP 12:** Following below illustration.

<b>12</b> 	<b>3</b> 
1pc	2pcs






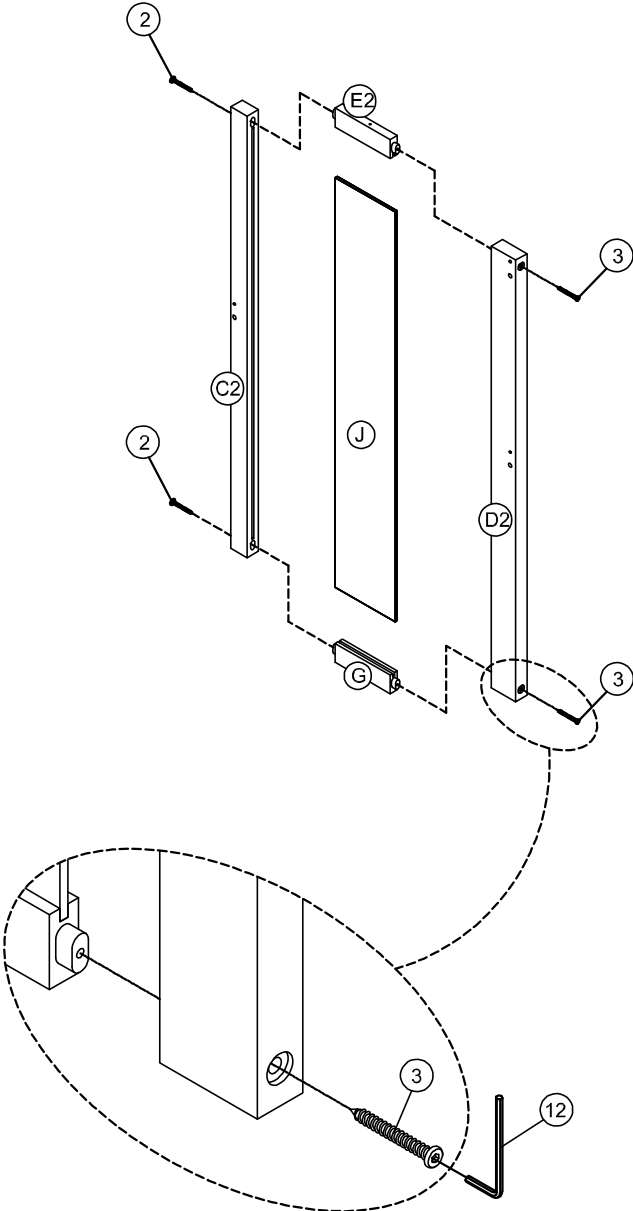
**STEP 13:** Following below illustration.

12 	2 
1pc	3pcs





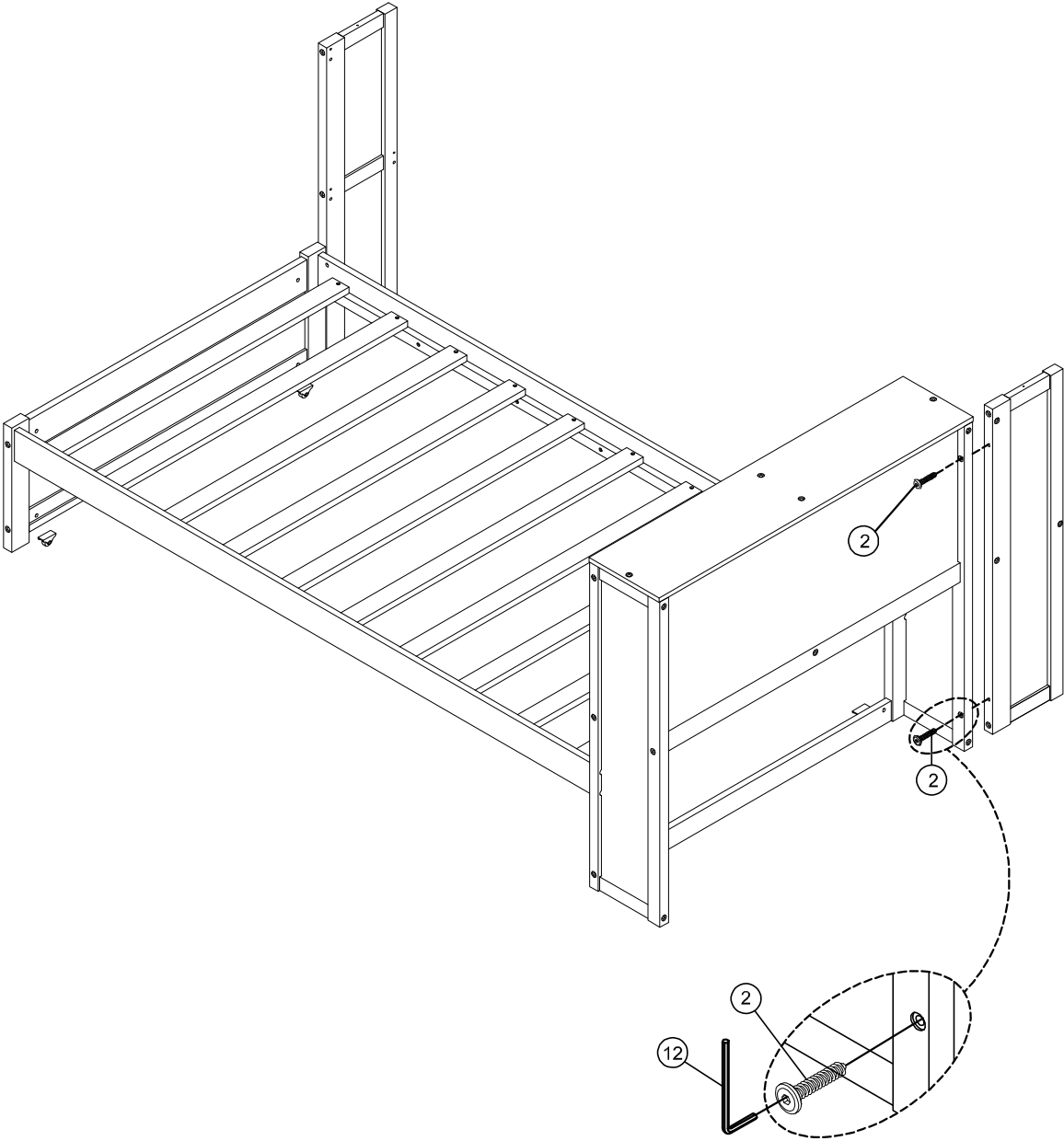
**STEP 14:** Following below illustration.

<p>12</p> 	<p>3</p> 	<p>2</p> 
<p>1pc</p>	<p>2pcs</p>	<p>2pcs</p>



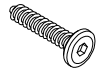



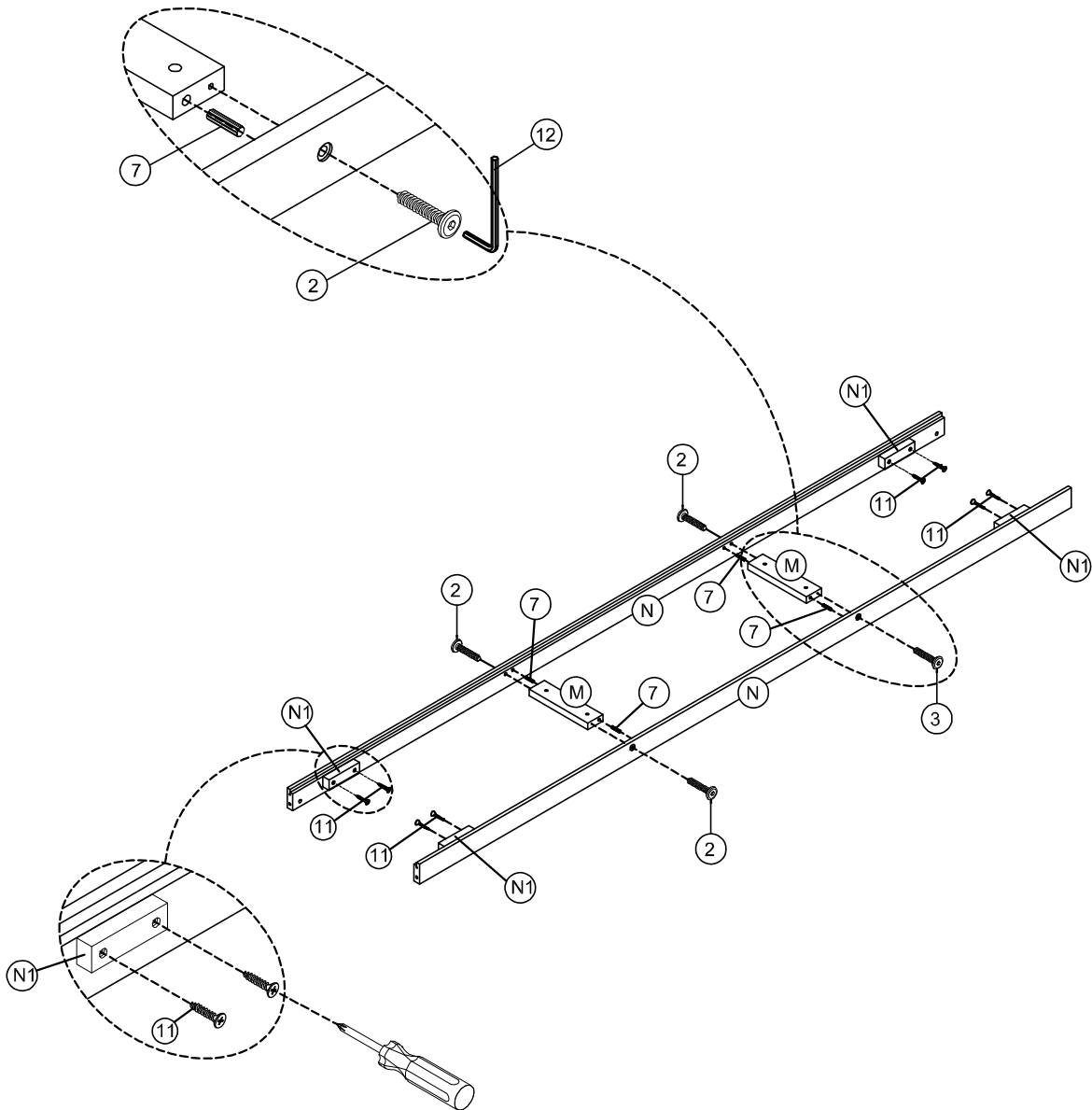
**STEP 15:** Following below illustration.

12 	2 
1pc	2pcs







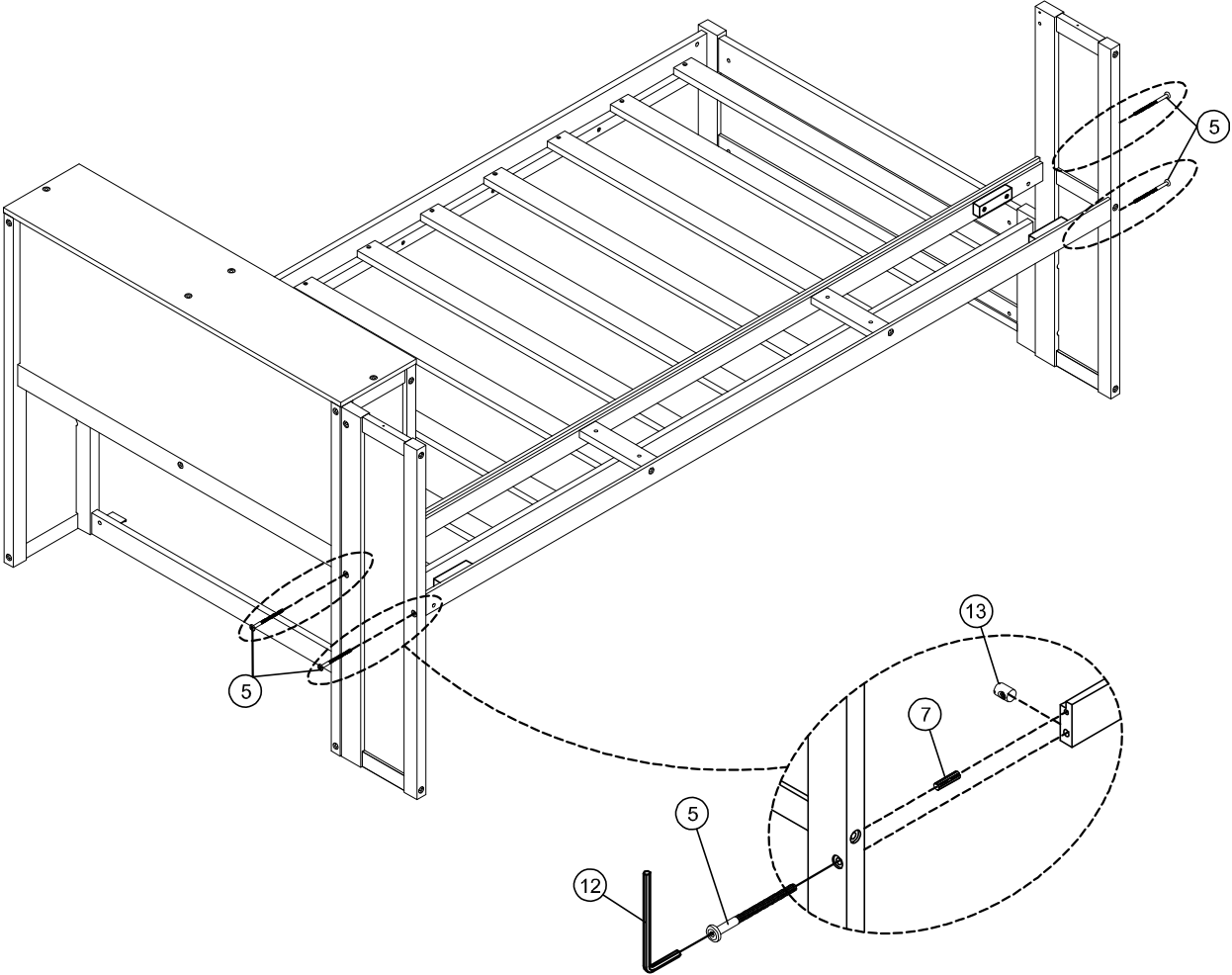
**STEP 16:** Following below illustration.

11 	7 	2 
8pcs	4pcs	4pcs
12 		
1pc		



**STEP 17:** Following below illustration.

12		7		5	
	1pc		4pcs		4pcs
				13	
					4pcs

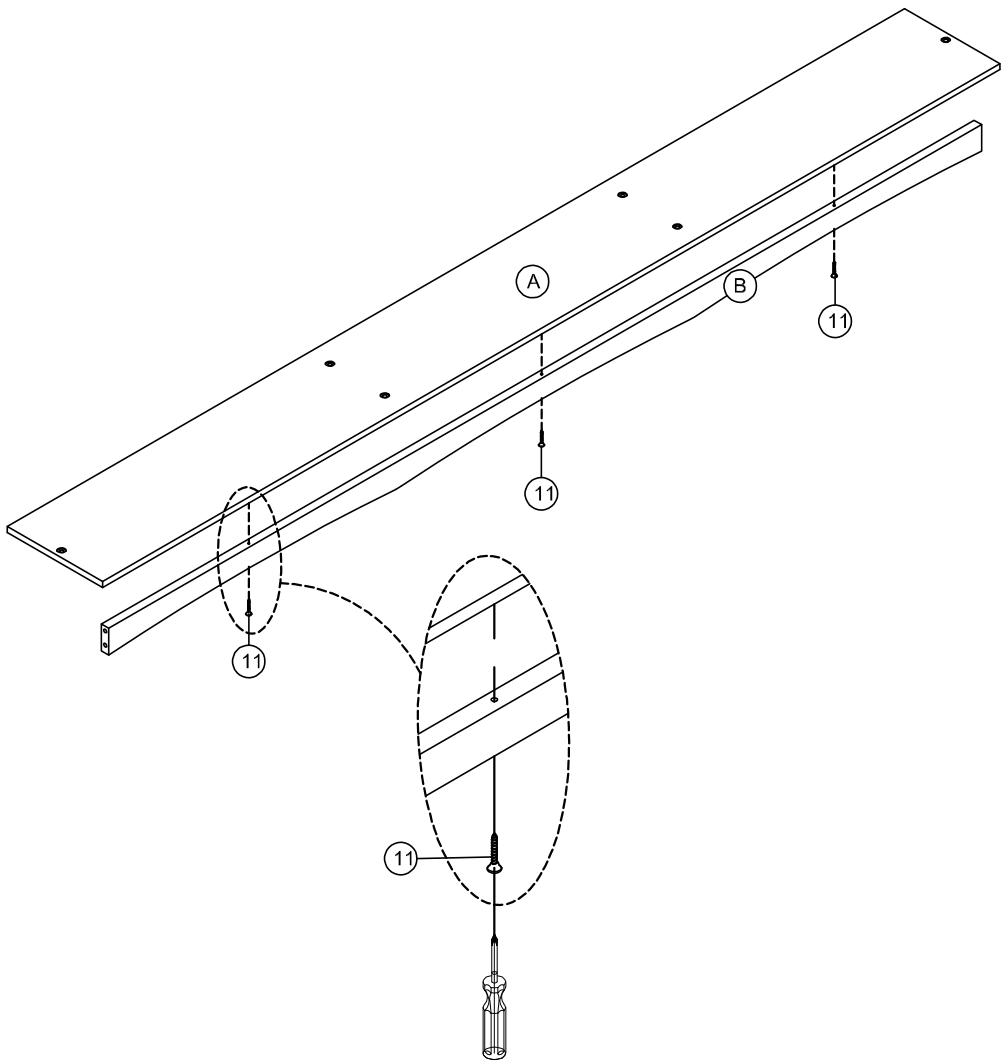


**STEP18:** Following below illustration.


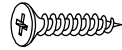

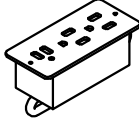


11

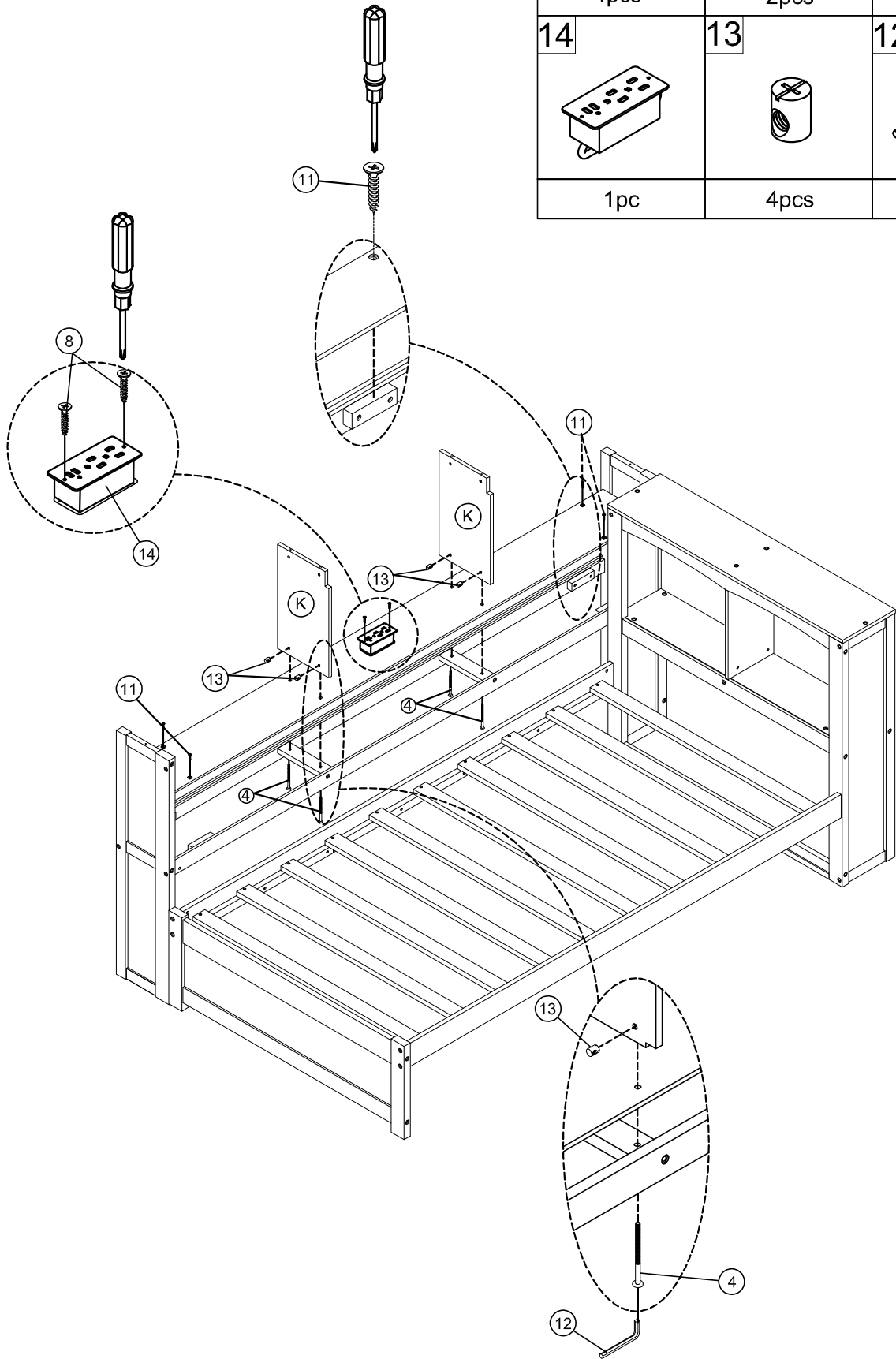


M4 x 30  
3pcs









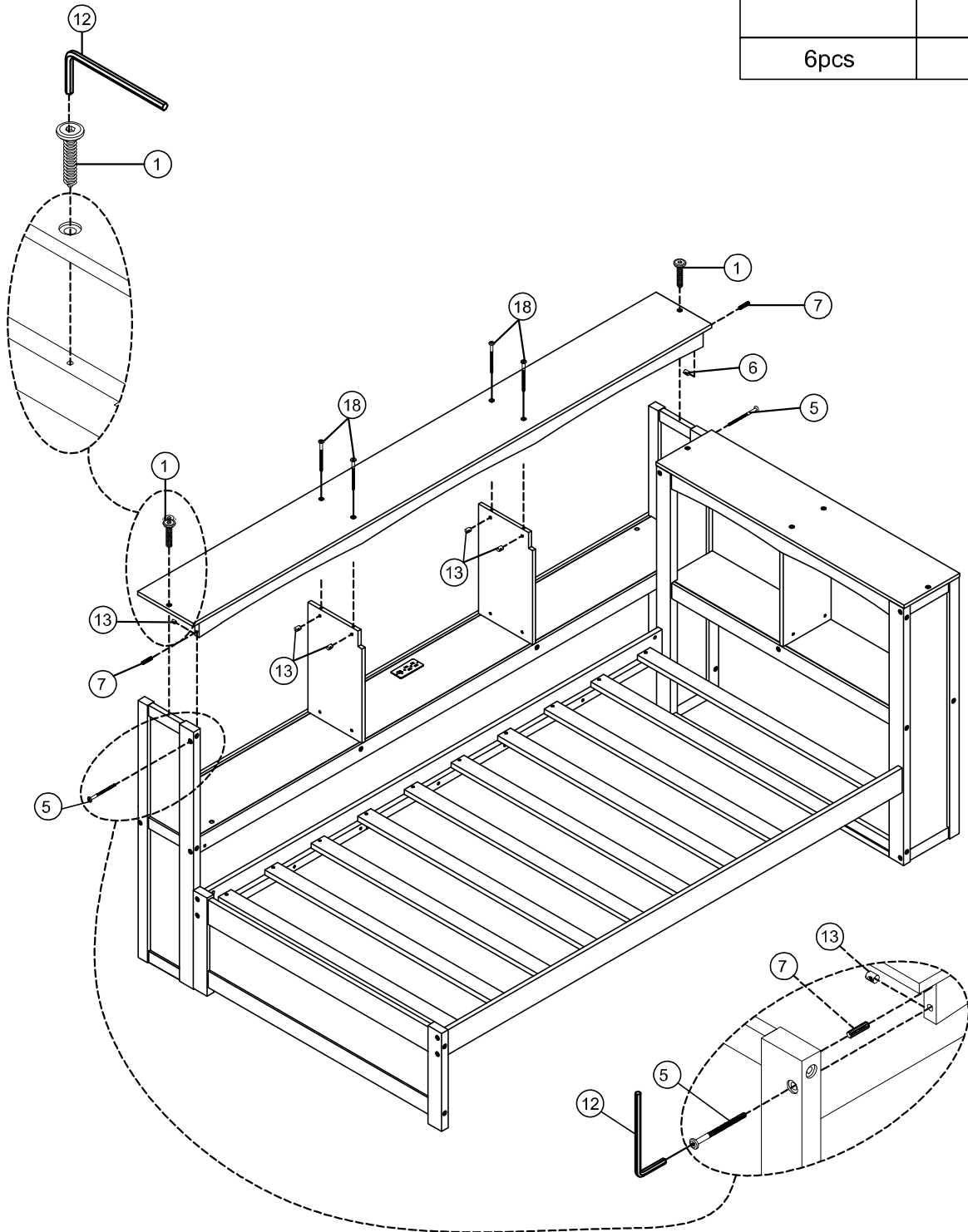
**STEP 19:** Following below illustration.

<p>11</p> 	<p>8</p> 	<p>4</p> 
<p>4pcs</p>	<p>2pcs</p>	<p>4pcs</p>
<p>14</p> 	<p>13</p> 	<p>12</p> 
<p>1pc</p>	<p>4pcs</p>	<p>1pc</p>



**STEP20:** Following below illustration.

<p>7</p> 	<p>5</p> 	<p>18</p> 	<p>1</p> 
<p>2pcs</p>	<p>2pcs</p>	<p>4pcs</p>	<p>2pcs</p>
<p>13</p> 			<p>12</p> 
<p>6pcs</p>			<p>1pc</p>

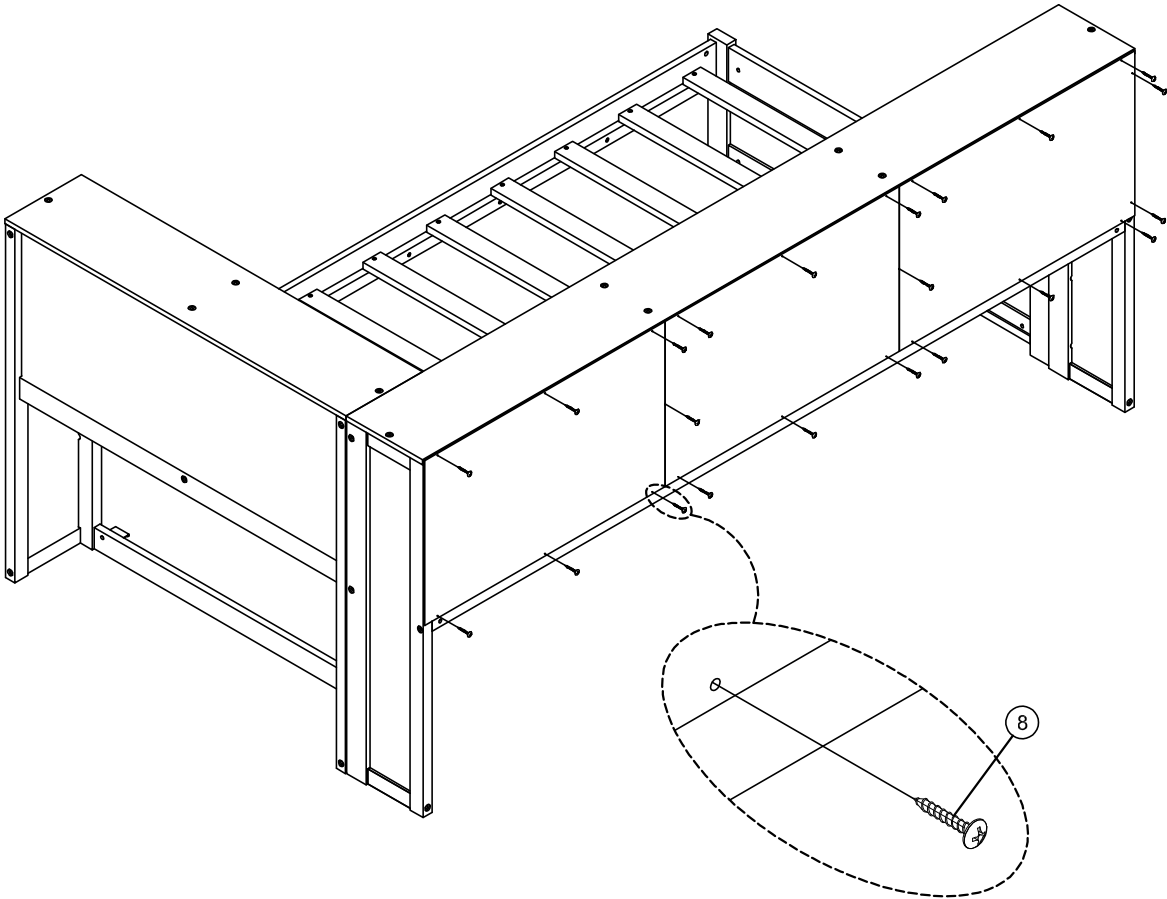


**STEP21:** Following below illustration.

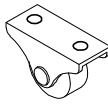


9

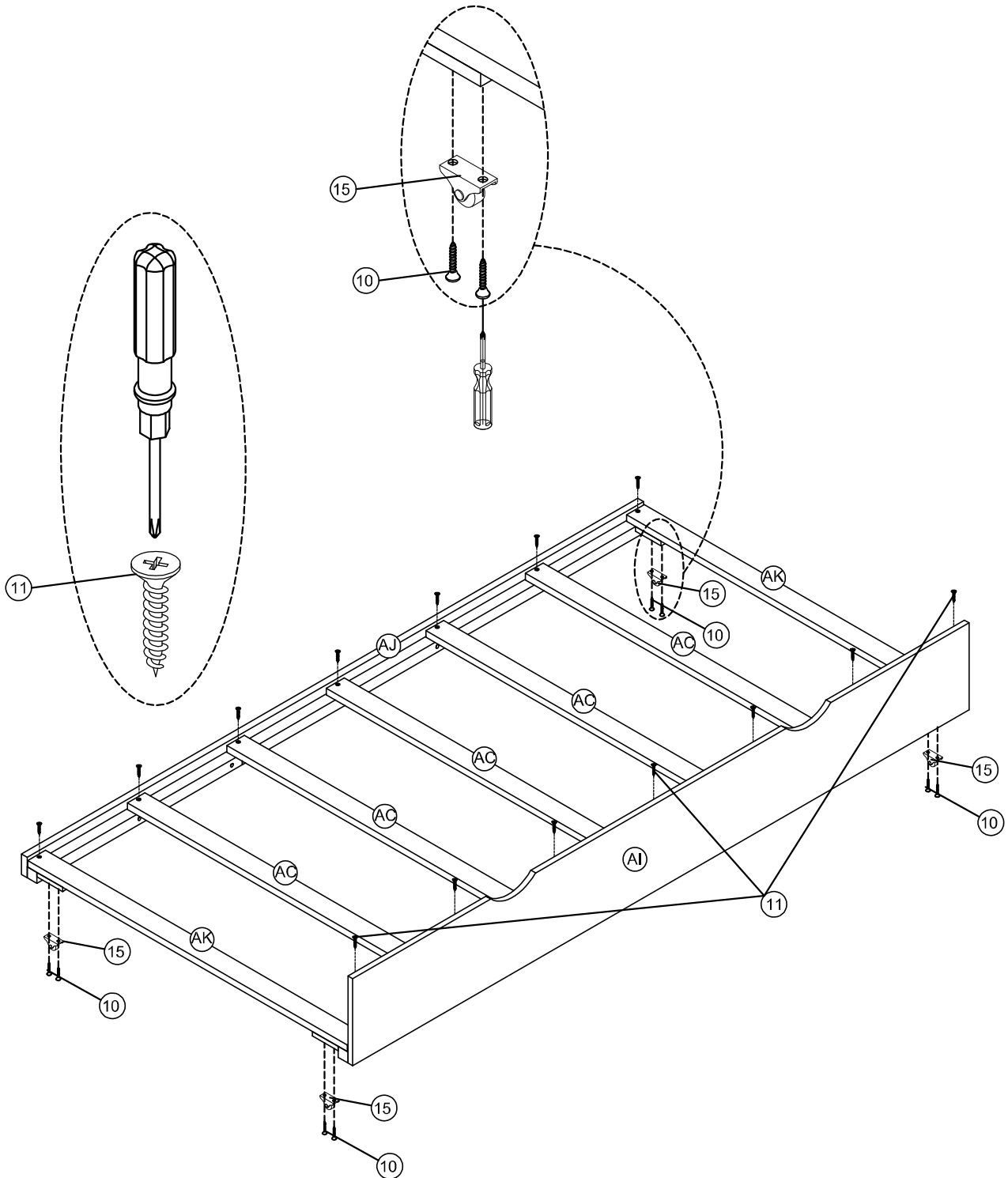


M3 x 15  
20pcs

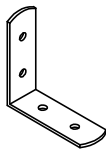
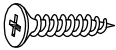


# STEP22: Following below illustration.

15	11	10
		
4pcs	14pcs	8pcs



**STEP23:** Following below illustration.

16 	10 
3pcs	12pcs

