

61" Storage Bench

Assembly Instructions

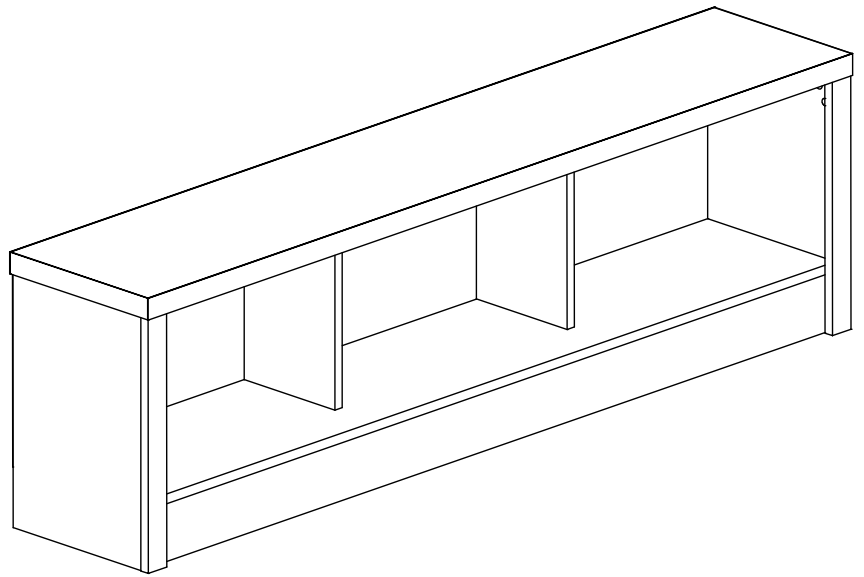
This product is shipped in
1 carton

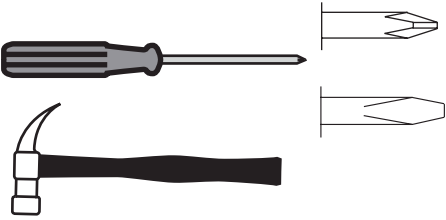
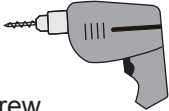
- For help with assembly
- If you have received a damaged or defective part or are missing hardware.

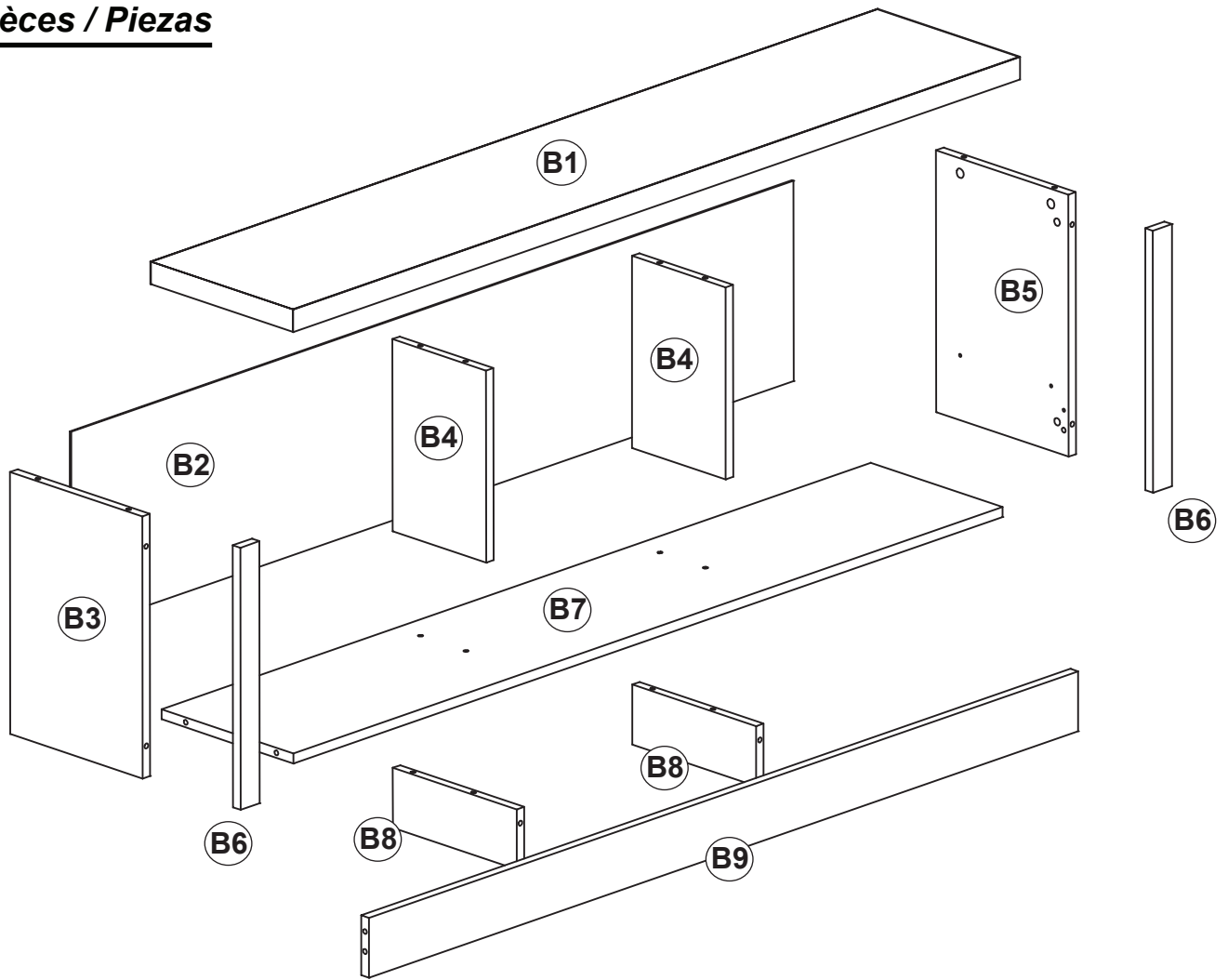
Before you call please:

- 1) Record the following information from the shipping label on the outside of the box. You will need it for warranty purposes:

Ship To Name
Sales Order Number
- 2) Note the product model number.
- 3) Review the contents of your shipment to determine what you are missing.



Required Tools	Optional Tools
	<p>Using a power screwdriver will speed up assembly.</p>  <p>Caution Do not over tighten any screw. The last few turns of each screw should be done very slowly or by hand.</p>



B1

Top (1)
Dessus
Superior
B black
E espresso
H washed black
W white

B2

Backer (1)
Dos
Respaldo
B black
E espresso
H washed black
W white

B3

Left Side (1)
Côté gauche
Lado izquierdo
B black
E espresso
H washed black
W white

B4

Center Gable (2)
Pignon central
Panel central
B black
E espresso
H washed black
W white

B5

Right Side (1)
Côté droit
Lado derecho
B black / noir
E espresso
H washed black
W white

B6

Side Moulding (2)
Moulure latérale
Moldura lateral
B black
E espresso
H washed black
W white

B7

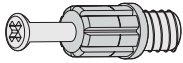
Bottom Shelf (1)
Tablette du bas
Repisa inferior
B black
E espresso
H washed black
W white

B8

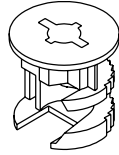
Gable Supports (2)
Support de pignon
Soporte para panel
 unfinished

B9

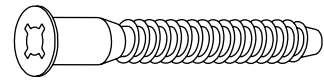
Front Stabilizer (1)
Stabilisateur avant
Estabilizador frontal
B black
E espresso
H washed black
W white



24mm Green
Twister Dowel (24)
Goujon de torsion vert
Clavija verde giratoria



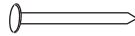
Large Zinc Cam (24)
Ferrure en zinc grand
Tuercas de fijación grande de zinc



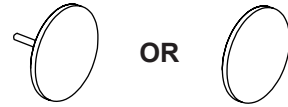
Confirmat Screws (4)



Wood Dowel (2)
Goujons de bois
Clavija de madera



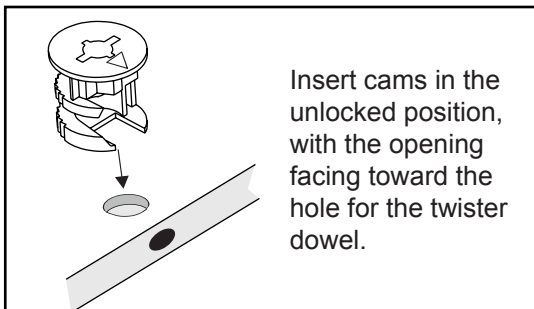
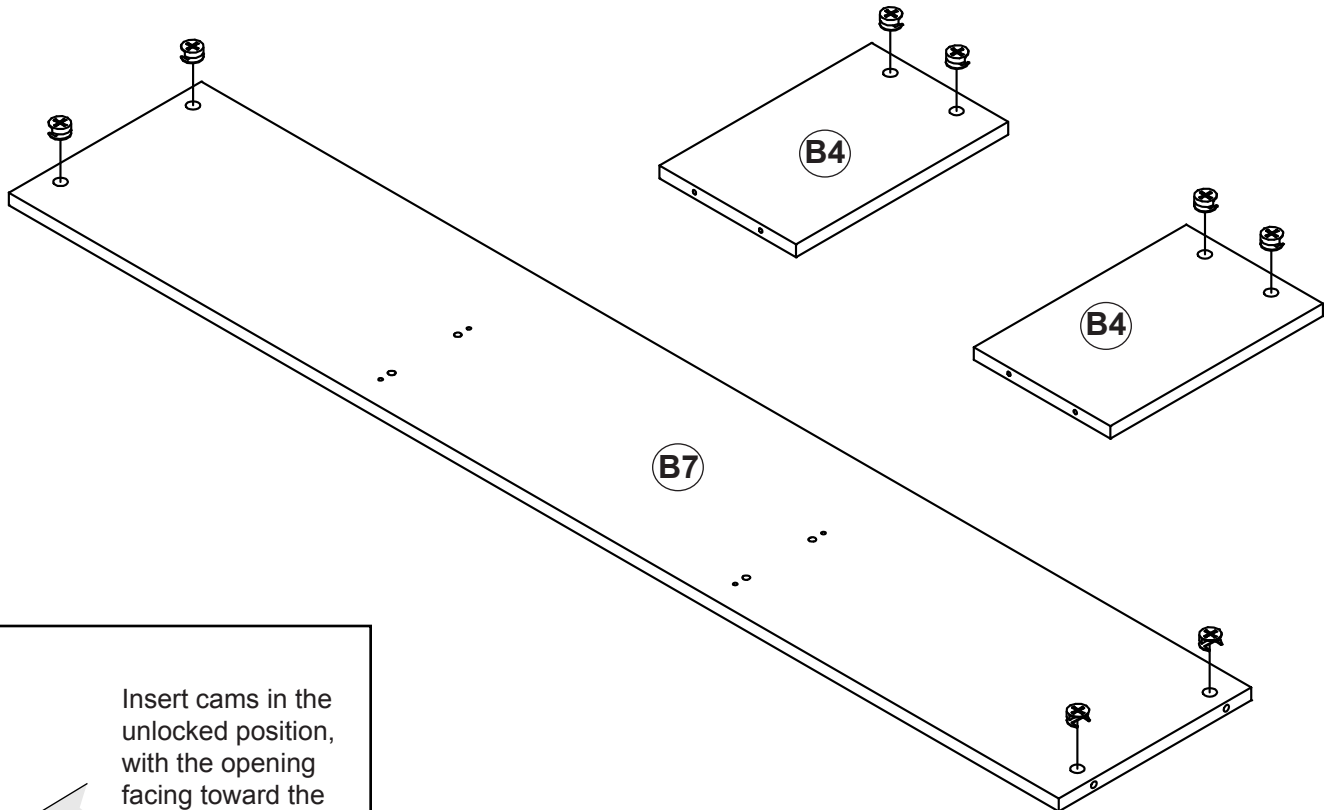
3/4" Nail (24)
Clou 3/4"
Clavo de 3/4 pulg.



Cam Cover Cap (10)
black, washed black
espresso
white

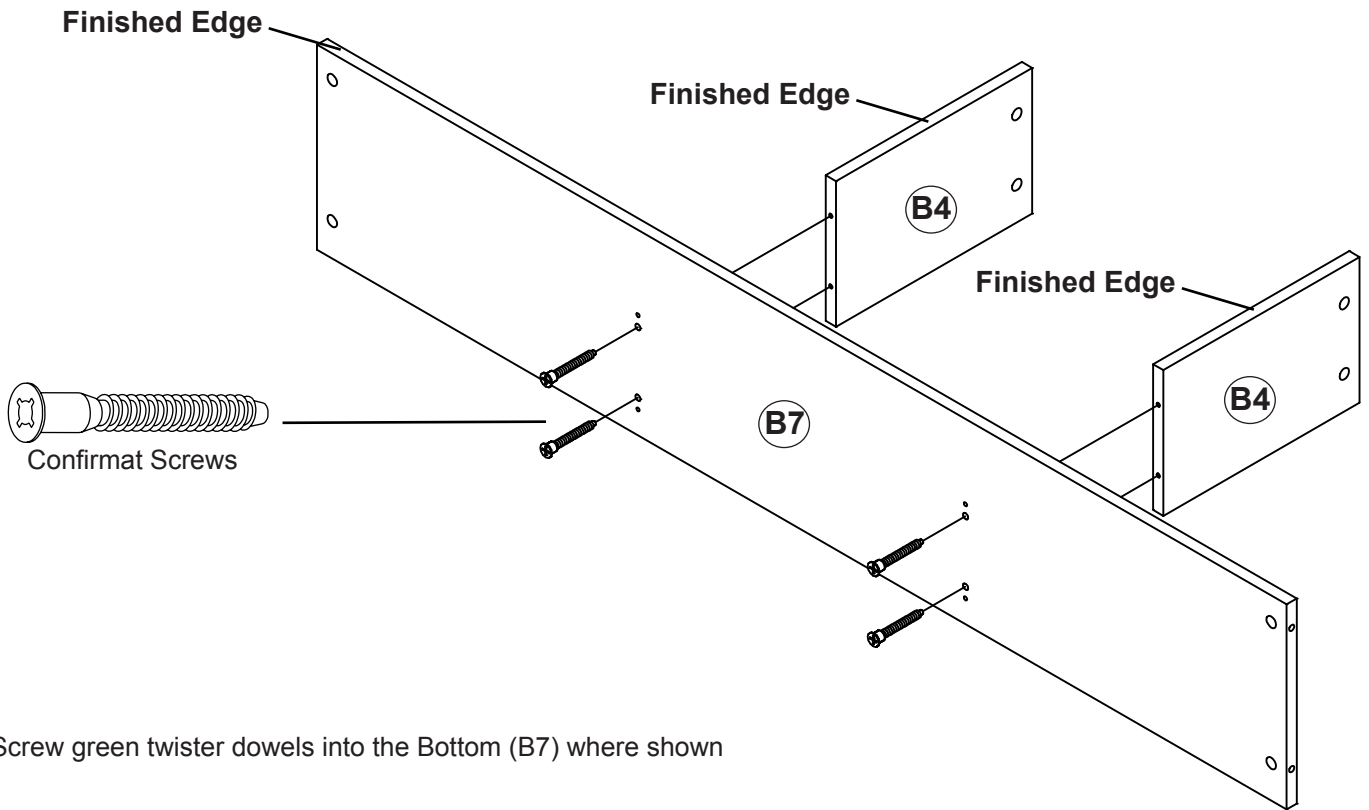
Step 1 Estimated Time: 5 Minutes

Insert cams into the Bottom (B7) and the Center Gables (B4).

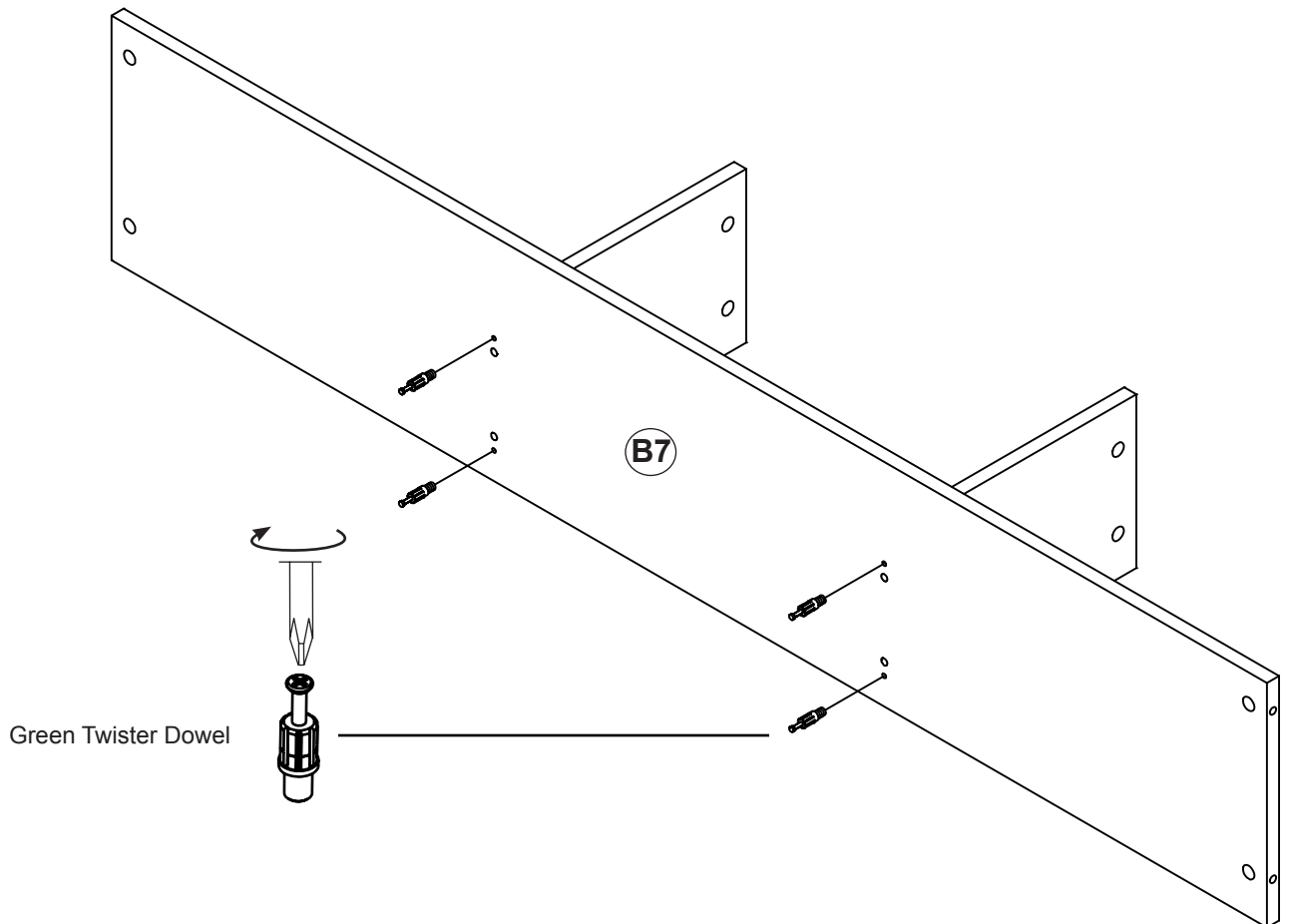


Step 2 Estimated Time: 10 Minutes

2a Attach Center Gables (B4) to Bottom (B7) with Confirmat Screws

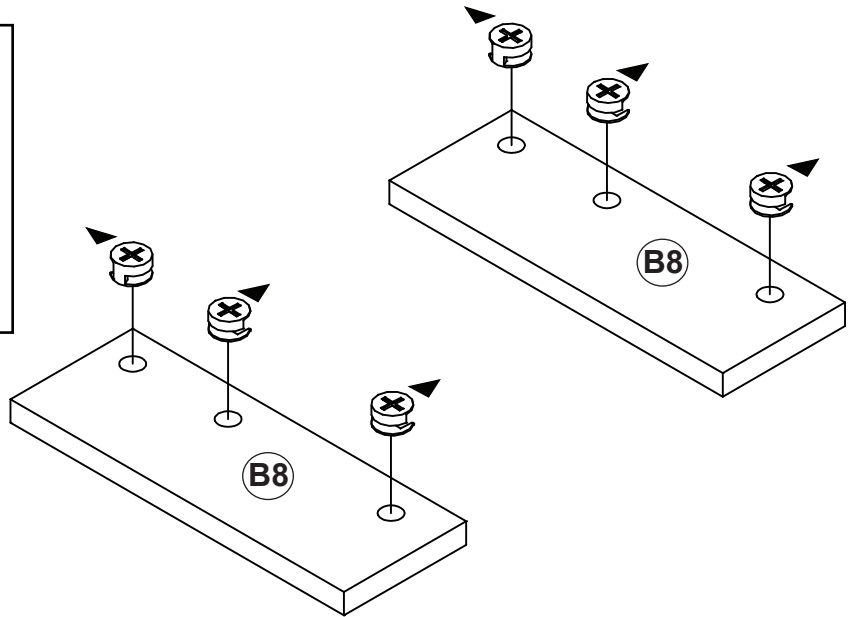
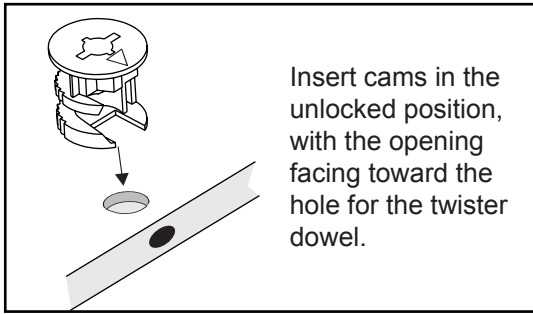


2b Screw green twister dowels into the Bottom (B7) where shown

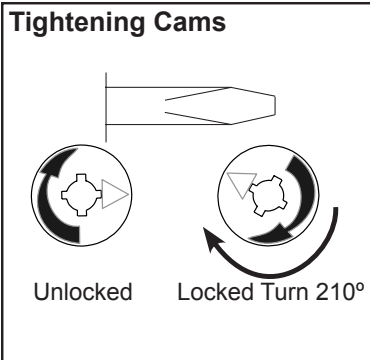
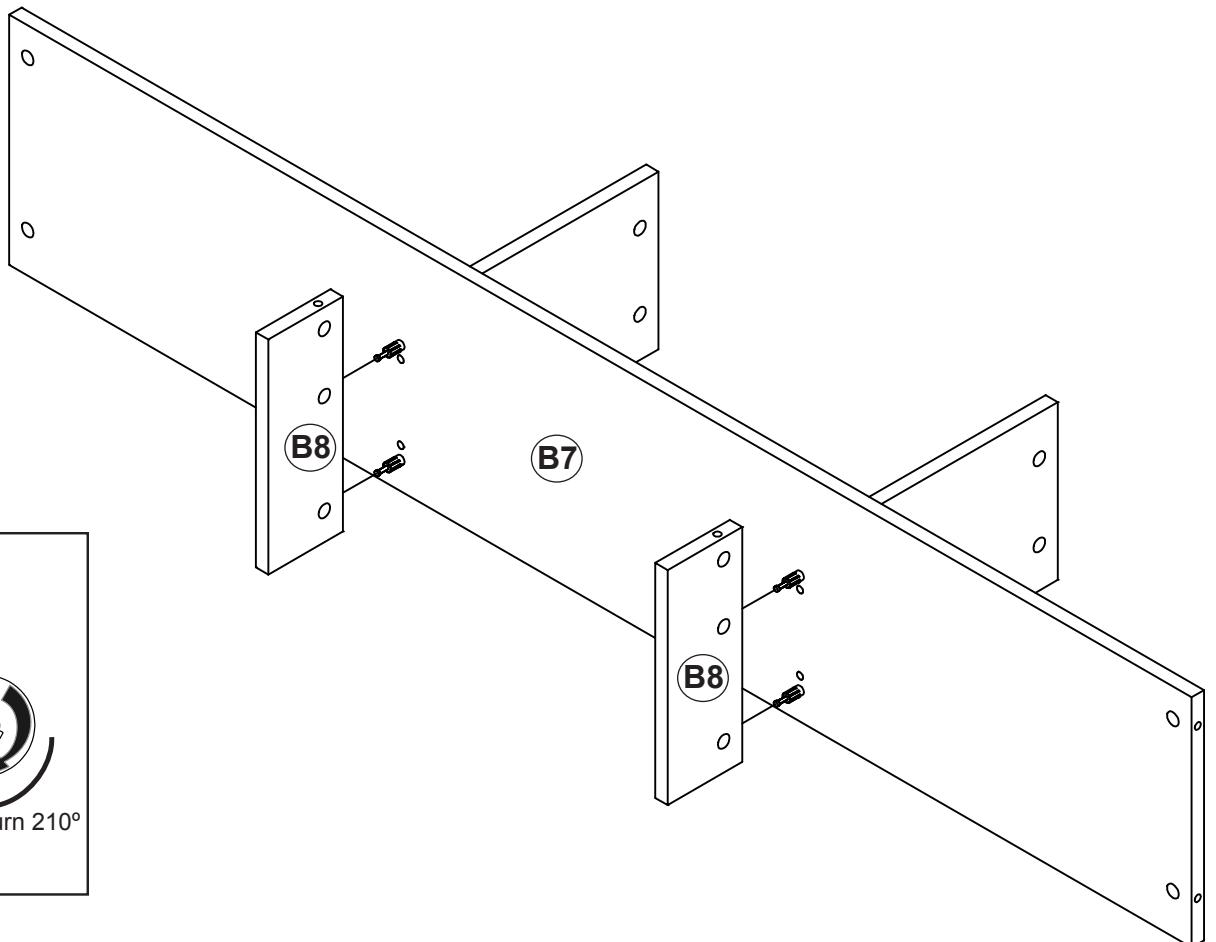


Step 3 Estimated Time: 10 Minutes

3a Insert cams into Gable Supports (B8)



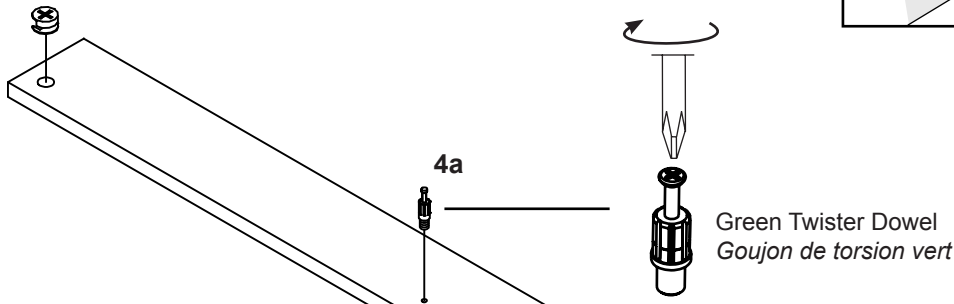
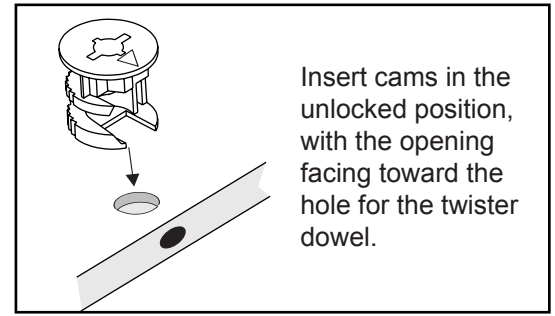
3b Attach Gable Supports (B8) to Bottom (B7) and lock cams using a flat head screwdriver



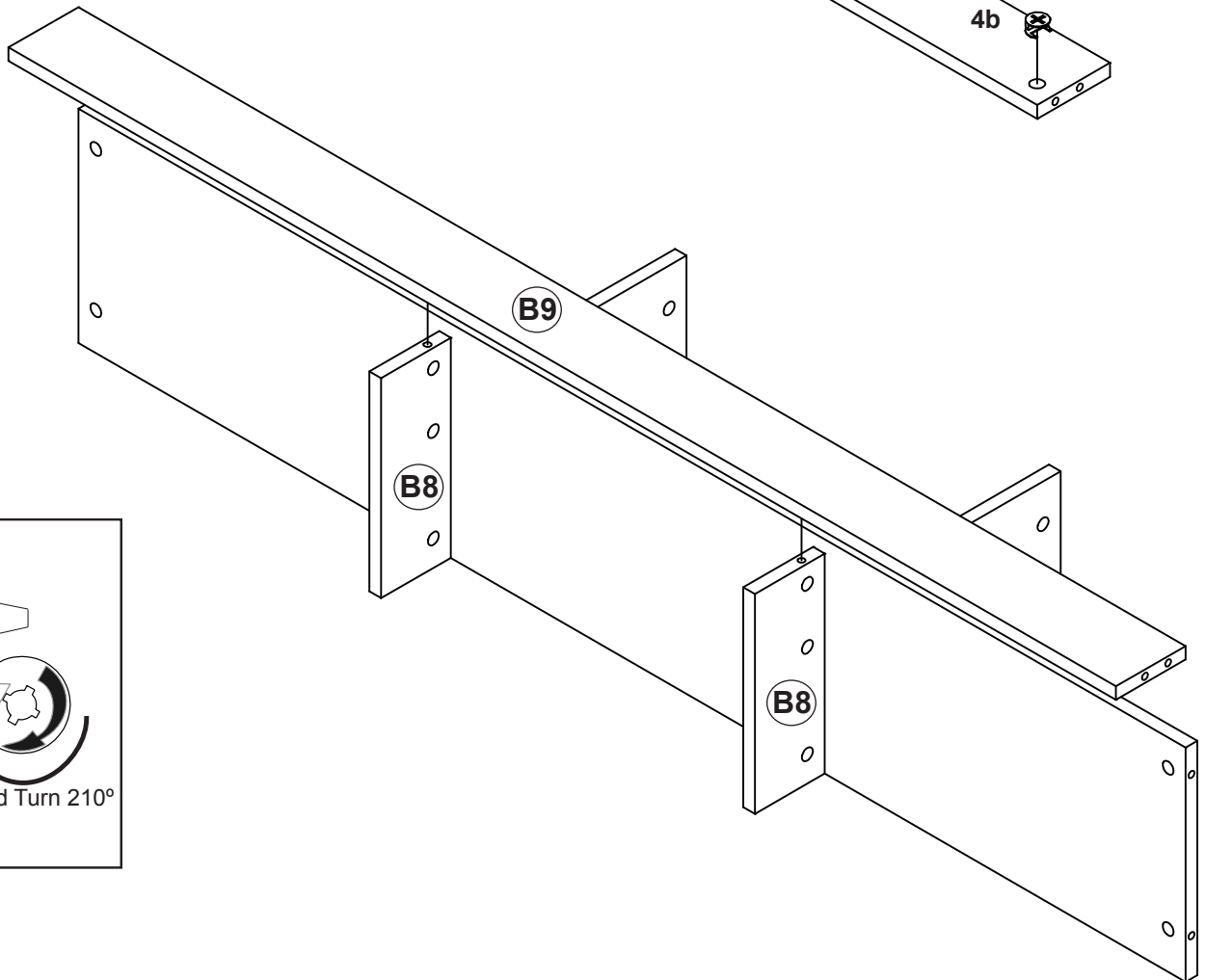
Step 4 Estimated Time: 10 Minutes

4a Screw green twister dowels into the front stabilizer (B9) where shown

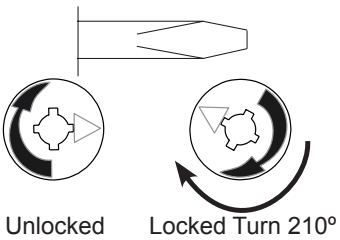
4b Insert cams at each end of the front stabilizer



4c Attach Front Stabilizer (B9) to Gable Supports (B8) and lock cams using a flat head screwdriver



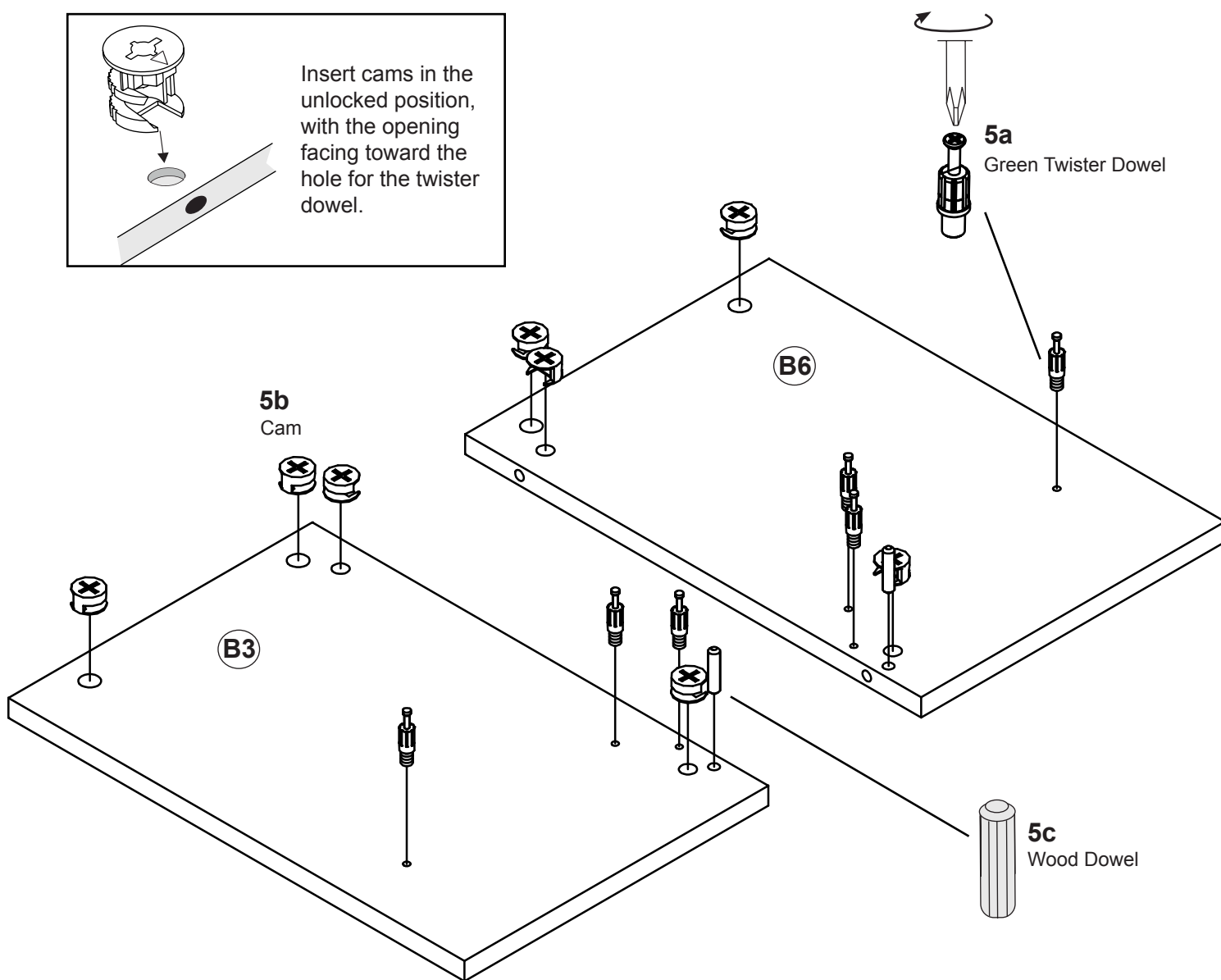
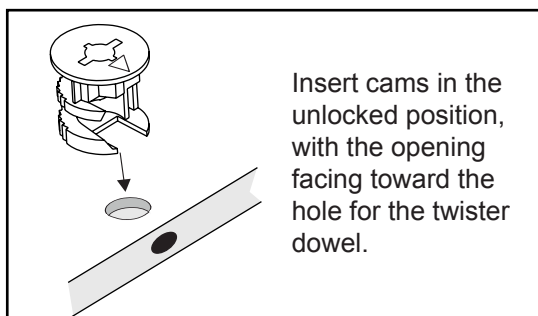
Tightening Cams



Step 5 Estimated Time: 10 Minutes

5a Screw green twister dowels into the left (B3) and right sides (B6) where shown

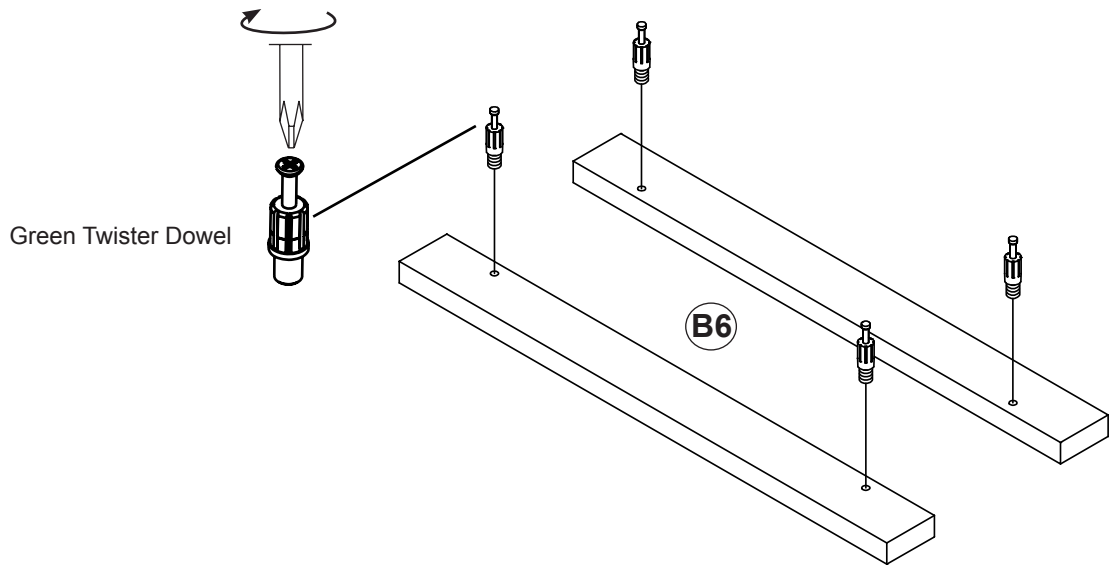
5b Insert cams to the Left (B3) and Right (B6) Sides where shown.



5c Insert wooden dowels into the left (B3) and right sides (B6) where shown

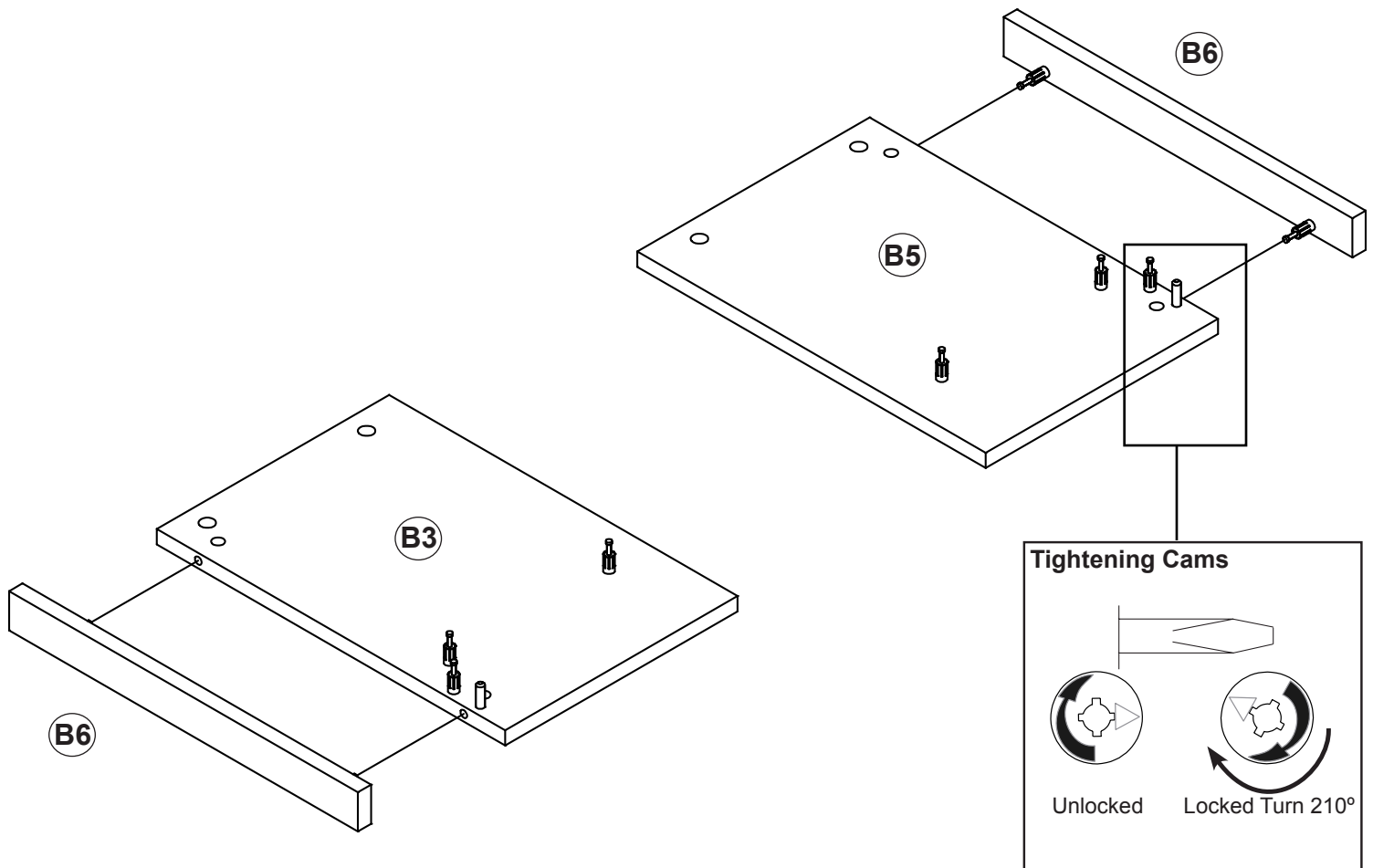
Step 6 Estimated Time: 10 Minutes

6a Screw green twister dowels into the side moldings (B6).



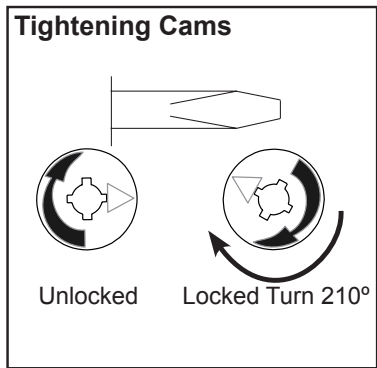
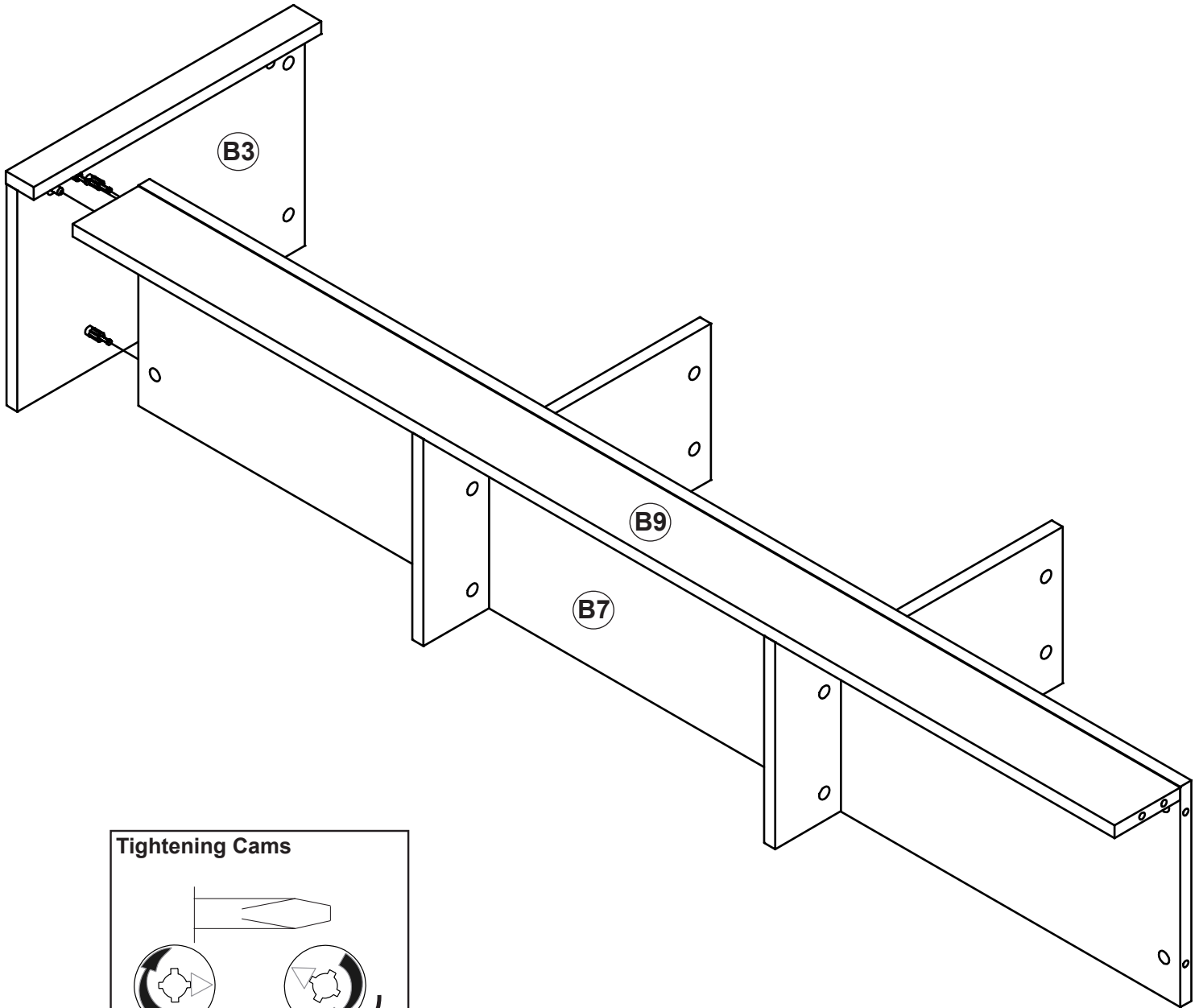
6b Attach side moldings (B6) to the Left (B3) and Right (B5) Sides.

Lock cams using a flat head screwdriver.



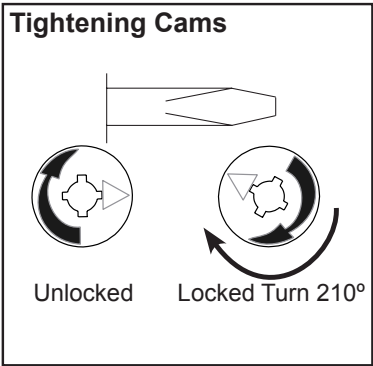
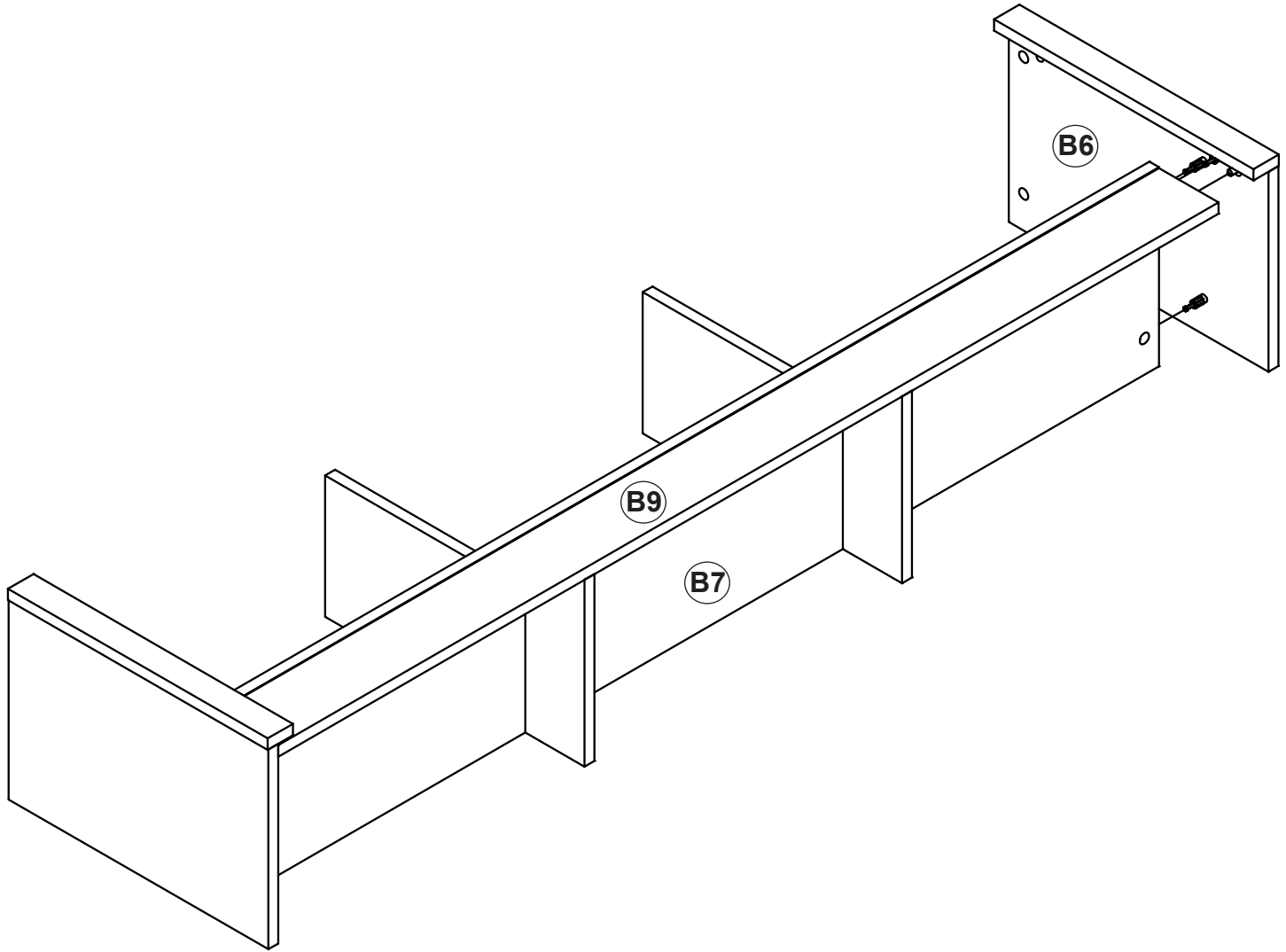
Step 7 Estimated Time: 5 Minutes

Attach front stabilizer (B9) and Bottom Shelf (B7) to the Left Side (B3) and lock cams using a flat head screwdriver



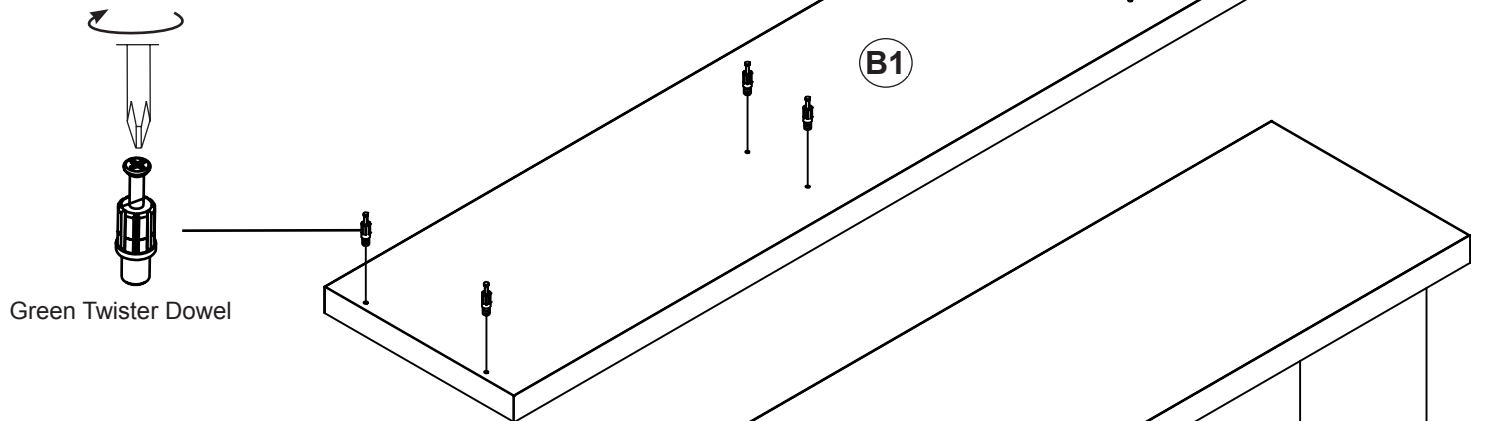
Step 8 Estimated Time: 10 Minutes

Attach Front Stabilizer (B9) and Bottom Shelf (B7) to the Right Side (B6) and lock cams using a flat head screwdriver

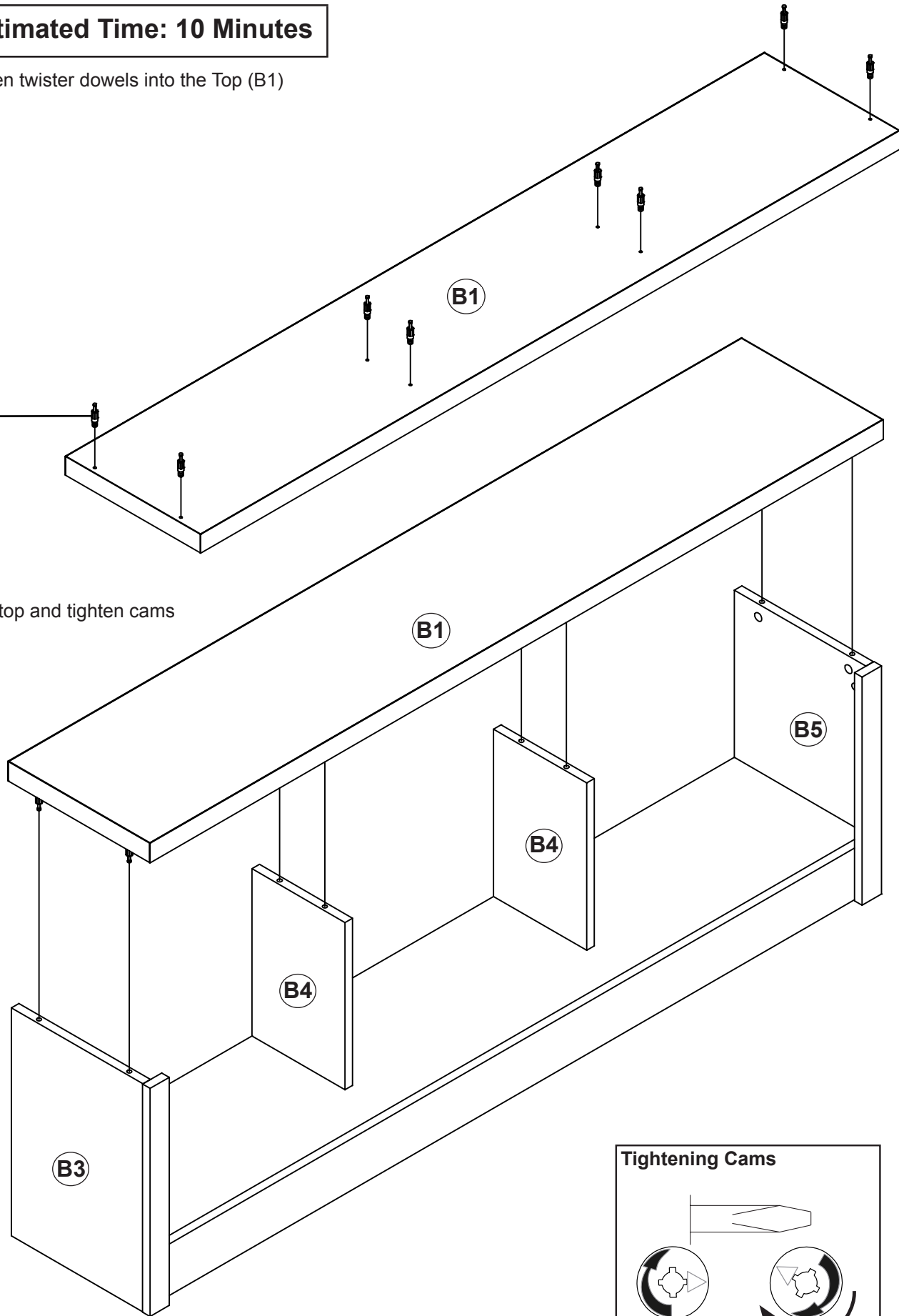


Step 9 Estimated Time: 10 Minutes

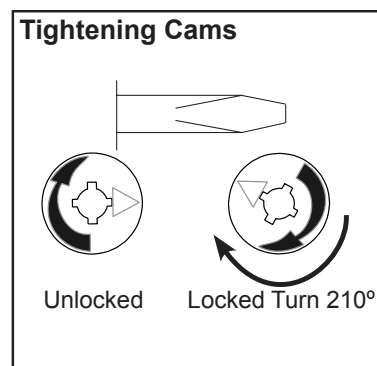
9a Screw green twister dowels into the Top (B1)



9b Attach the top and tighten cams



9c Attach cam cover caps to exposed cams



Step 10 Estimated Time: 5 Minutes

Attach backer (B2) with nails

