

ASSEMBLING & INSTALLATION INSTRUCTIONS

The drawing shown may not exactly match the product enclosed.
However, the installation instructions do apply to this product.

***WARNING! SHUT POWER OFF AT FUSE OR CIRCUIT BREAKER.

***ATTENTION! COUPER LE COURANT AU FUSIBLE OU UN DISJONCTEUR.

ASSEMBLING THE FIXTURE (Fig.1)

- 1.Shut off the power at the circuit breaker box. Remove old fixture and all hardware from Junction Box. Carefully unpack your new fixture and lay out all the parts on a clear area. Take care not to lose any small parts necessary for installation.
- 2.Fix mounting plate D on junction box with Box Screw . The side of the mounting plate marked "GND" must face out. **The junction box is not included.**
3. Fix the top plate (B) on the mounting plate (D) ,and lock it securely with the Install the cap.
- 4.Follow wiring instructions carefully.(see fig.2)
- 5.Attach the light frame (E) to the suction top plate and tighten (F) with the mounting cap
- 6.Install the light bulbs(not included) in accordance with the fixture's specifications. **NOTE: DO NOT EXCEED THE MAXIMUM WATTAGE RATING!**

CONNECTING THE WIRES (Fig.2)

1. Connect the electrical wires as follows. Connect the Black wire from the fixture to the black house (hot) Wire. Connect the white wire from the fixture to the white (neutral) house wire. Make sure all wire nuts are secured. You may wrap the connections with electrical tape. If your outlet box has a ground wires (green or bare copper) connect fixture's ground wire to it. Otherwise attach the bare copper fixture wire to the green ground screw on the mounting plate.
2. Tuck the wire connections neatly into the wall junction box.

Your installation is now complete. Return power to the junction box and test the fixture.

FIG.1

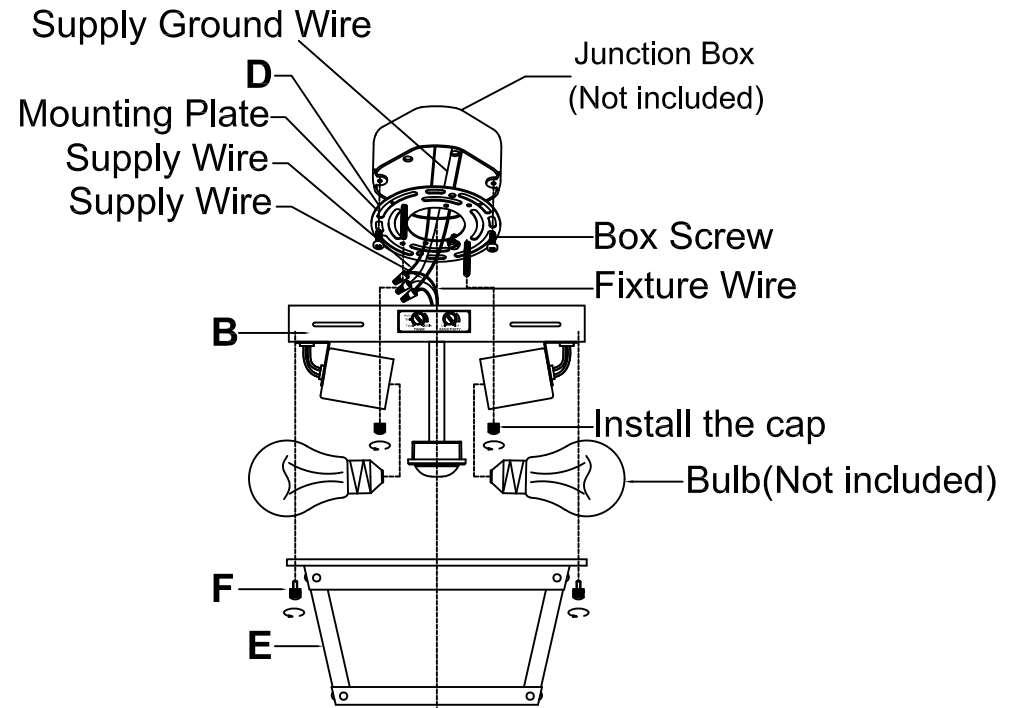


FIG.2

FIXTURE WIRES
Black or Smooth



HOUSE WIRES
Black(Hot)

FIXTURE WIRES
White or Ribbed



HOUSE WIRES
White (Neutral)

FIXTURE WIRES
Bare Copper (Ground)

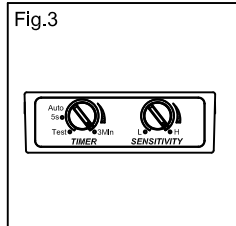


HOUSE WIRES
Green or Bare Copper(Ground)

FUNCTION AND OPERATION

Note:when power first applied, the light will come on for about 15 sec . to allow the circuit into stability. by adjusting the infrared sensor knob has 3 main functions .(See fig.3)

	TEST MODE	AUTO MODE
Works at	Day & Night	Night only
Activated by	Motions	Motions
On time	As motion detects	As motion detects
Shut-off delay	5Sec.	5Sec.~3Min.



1.TEST MODE(daytime and nighttime operation.)

The light will turn on when motion is detected,and stay on as long as the motion is continuing. The light wil turn off in about 5 seconds after motion is no longer detected.

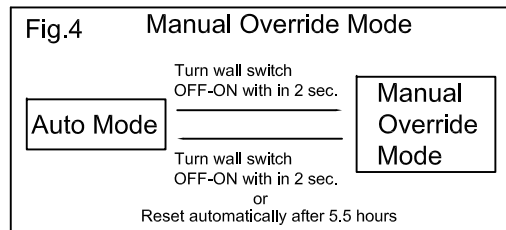
2.AUTO MODE(nighttime operation only)

The light will turn on when motion is detected,and stay on as long as the motion is continuing. When the motion stops,the light will remain on for the predetermined time set (5~180 seconds), and then turn off.

3.Manual Override Mode(nighttime operation only,5.5-hours auto rest)

When the TIMER control knob be set at the Auto area (between "5S" and "3min", the sensor is in Auto mode at this time) , to control the light from inside the home, activate manual override mode by toggling the wall switch OFF and ON within 2 seconds. The light will turn on and stay on for approximately 5.5 hours, and then the manual override mode will auto -matically go back to its original settings of the Auto mode. Or simply switch the power off and switch on again in the same manner to return to Auto mode.(See fig.4)

	Manual Override Mode
Works at	Night only
Activated by	Wall switch
On time	within 2 seconds
Shut-off delay	5.5 hours



TESTING AND SETTING

- Installation at a height of 10~13ft at 20°C , the lantern will provide a radius of investigation up to 10-30ft±5ft .The sensitivity will be higher as the environmental temperature is getting cool . you may wish to make adjustment again when season changing.
- During Test Mode, the light will come ON for 5 sec. every time when motion is detected. Setting the shut-off delay time only when the light is in the Auto Mode.
- The sensor is more sensitive to motions across its detection path rather than the motions towards it directly. Walking with normal speed across the detection area will set the desired detection distance properly.

SENSITIVITY

- The sensitivity was set at the maximum at the factory.
- The detection range can reach the coverage of 360 degrees.
- The sensor will be more sensitive to motion across its detection path than motion directly towards it.

CAREAND MAINTENANCE

- To clean, turn off and wipe with a damp and soft cloth; Do not use detergent or abrasives for cleaning..

TROUBLESHOOTING

PROBLEM	POSSIBLE CAUSE	CORRECTIVE ACTION
Light does not come on at night when Motions detected.	1.No power is being delivered to the fixture. 2.Another light source is causing the security light to think it is daylight. 3.Wiring inside electrical box came loose.	1.Check that circuit breaker and/or wall switch power is on. 2.Turn off surrounding lights and/or re-aim the sensor head. 3.AFTER turning power off to the fixture, reconnect any loose wiring.
Security light comes on for no apparent reason at night.	1.Light is sensing motion in the detection zone.	1.Make sure the sensor is not picking up abnormal activities such as street or sidewalk traffic, a heater or dryer vent, or heated swimming pool, etc. 2.Test the motion sensor by covering up the front curved lens with cardboard to block the view. If the light turns off then something in the detection zone is triggering the sensor. Reposition the motion sensor or change the sensitivity (distance) of the sensor.