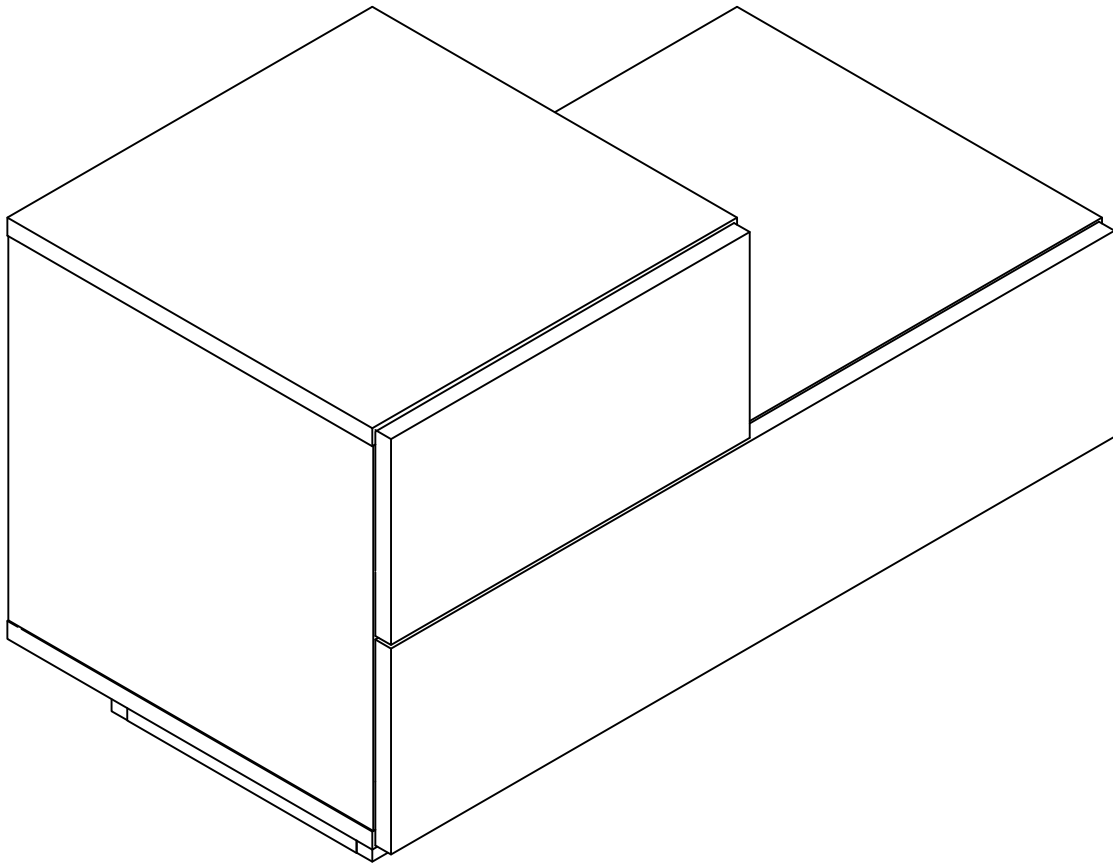
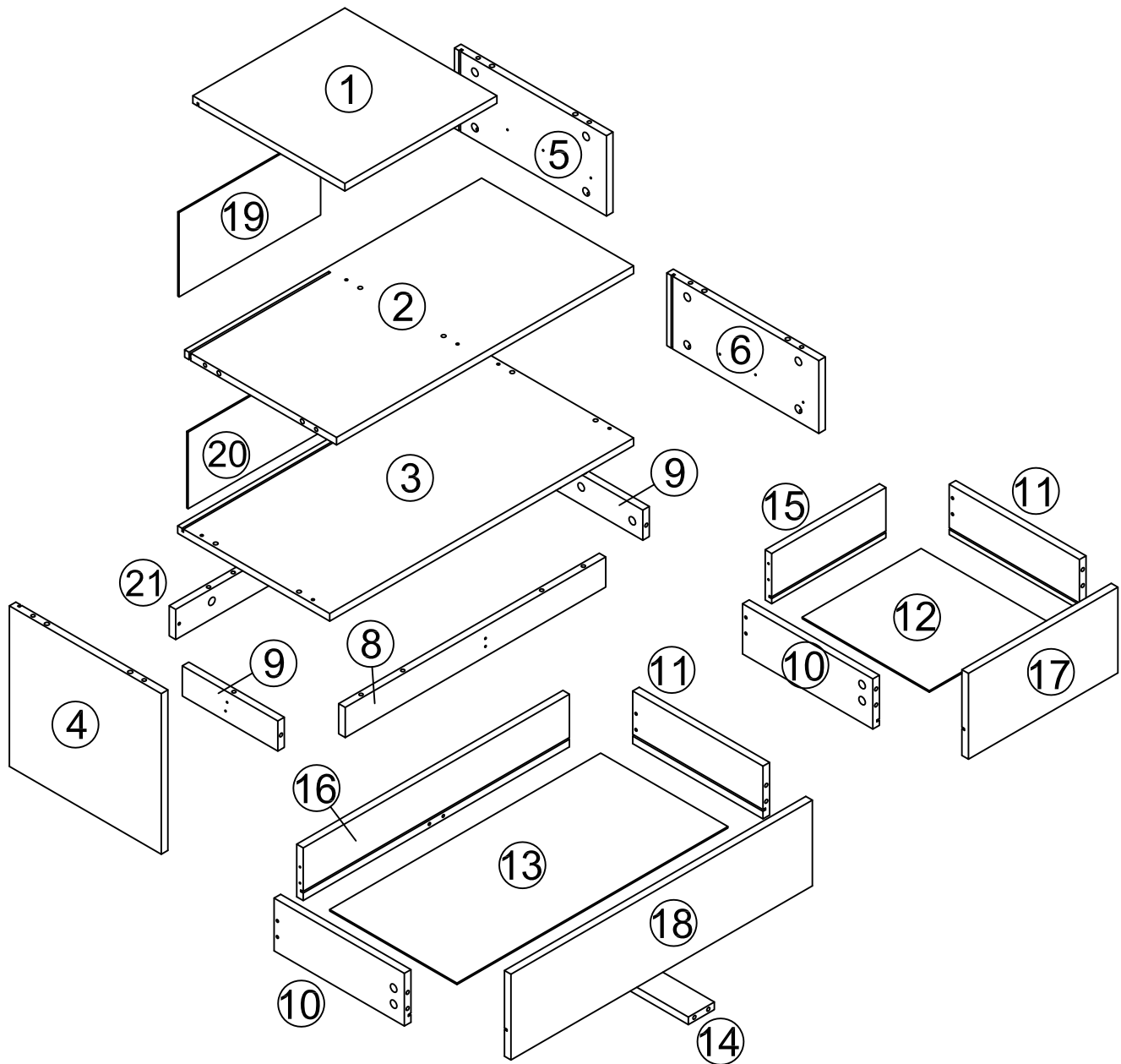


1

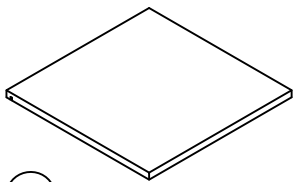
ASSEMBLY INSTRUCTIONS



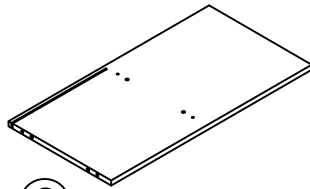
BOARD IDENTIFICATION



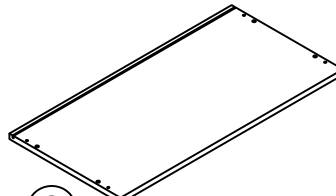
BOARD IDENTIFICATION



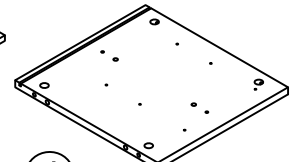
①
MAIN PANEL
X1



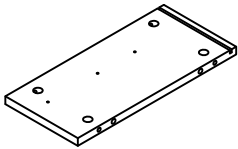
②
FIXED PANEL
X1



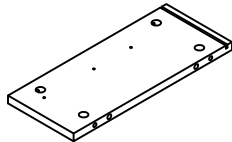
③
BOTTOM
X1



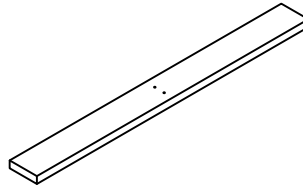
④
LEFT SIDE PANEL
X1



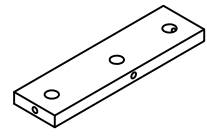
⑤
UPPER RIGHT SIDE PANEL
X1



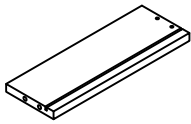
⑥
LOWER RIGHT SIDE PANEL
X1



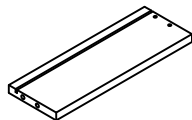
⑧
BASE FRONT PANEL
X1



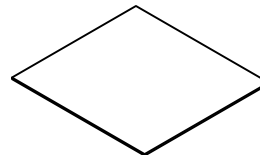
⑨
BASE LEFT&RIGHT PANEL
X2



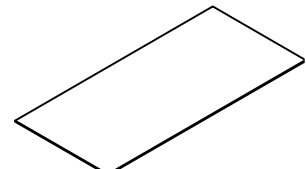
⑩
DRAWER LEFT
X2



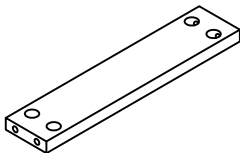
⑪
DRAWER RIGHT
X2



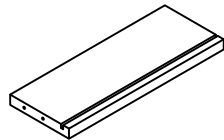
⑫
DRAWER BOTTOM
X1



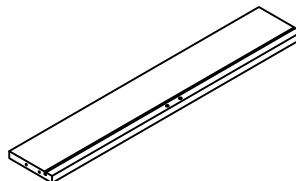
⑬
DRAWER BOTTOM
X1



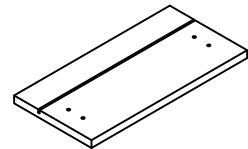
⑭
RAIL
X1



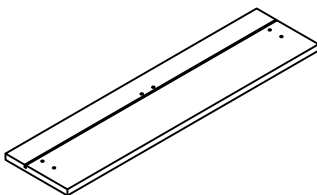
⑮
DRAWER BACK
X1



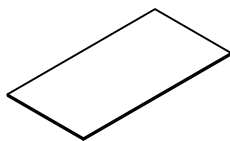
⑯
DRAWER BACK
X1



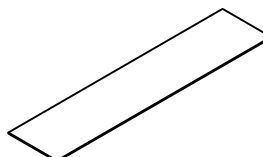
⑰
DRAWER FRONT
X1



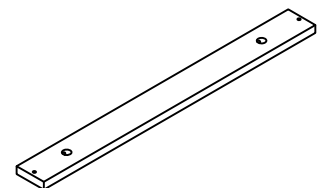
⑱
DRAWER FRONT
X1



⑲
UPPER BACK PANEL
X1



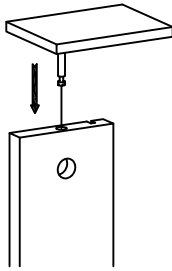
⑳
LOWER BACK PANEL
X1



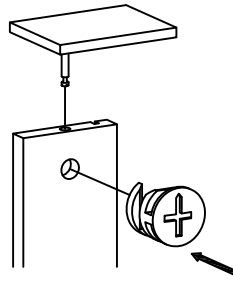
㉑
BASE BACK PANEL
X1

4

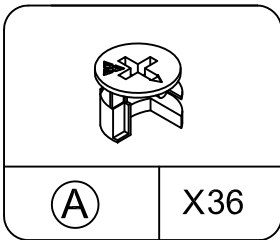
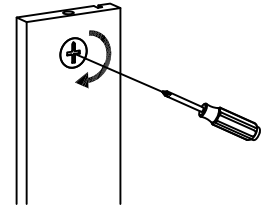
1



2



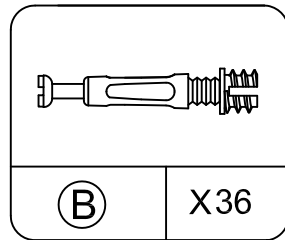
3



(A)

X36

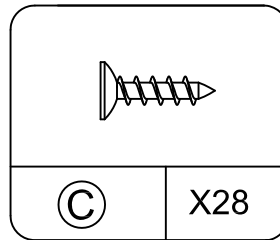
CAM LOCK
F15*11



(B)

X36

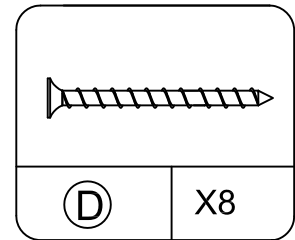
CAM BOLT
F7*31



(C)

X28

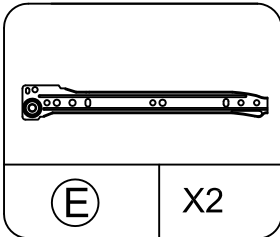
SCREW
F3.5*12



(D)

X8

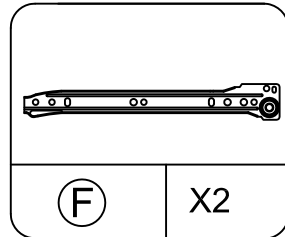
SCREW
F4*35



(E)

X2

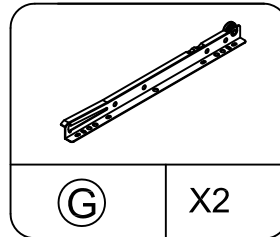
LEFT OUTER TRACK
F20*300



(F)

X2

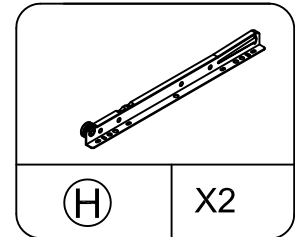
RIGHT OUTER TRACK
F20*300



(G)

X2

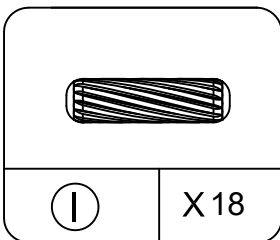
LEFT INNER TRACK
F20*300



(H)

X2

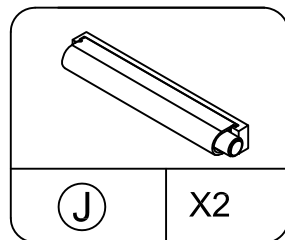
RIGHT INNER TRACK
F20*300



(I)

X18

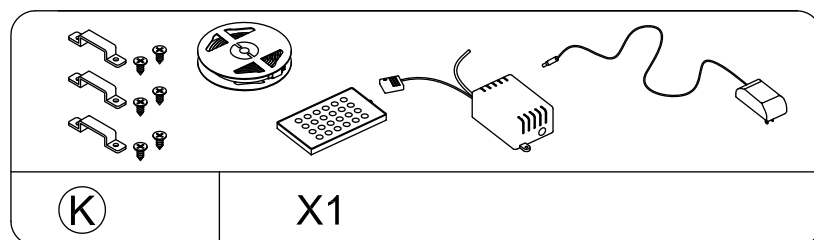
WOOD DOWEL
F8*30



(J)

X2

BOUNCER



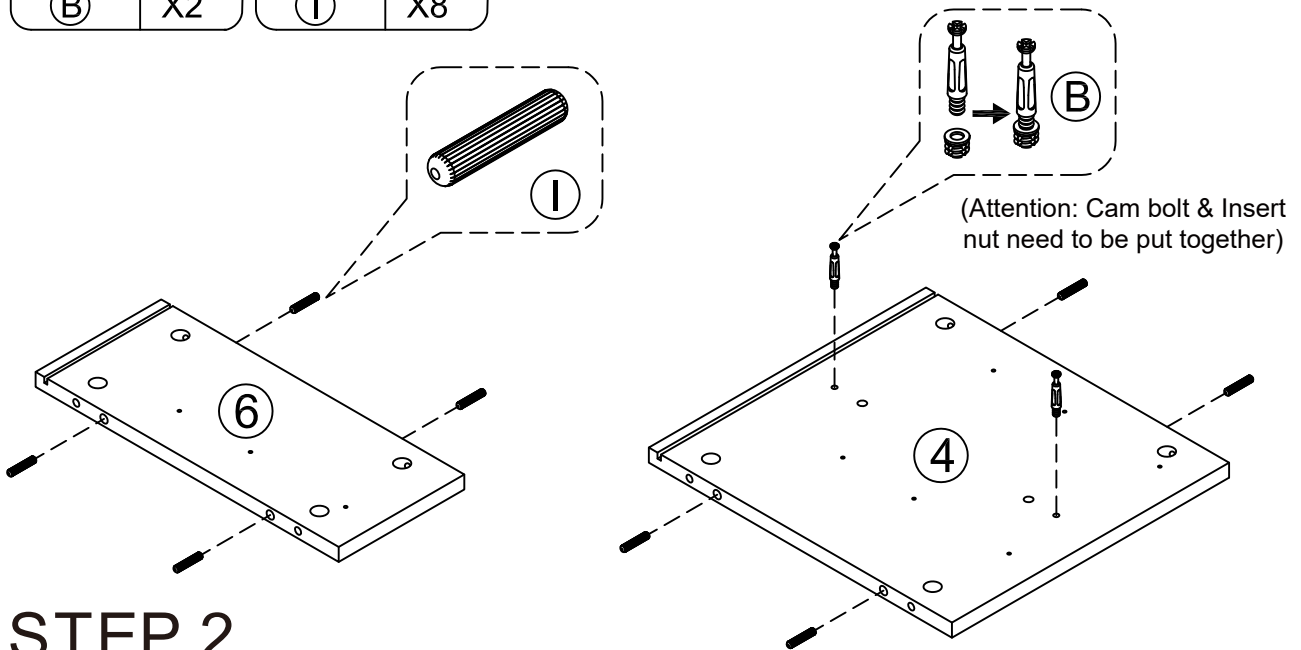
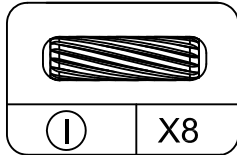
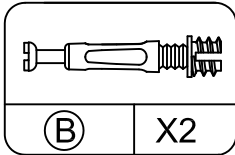
(K)

X1

LIGHT STRIP

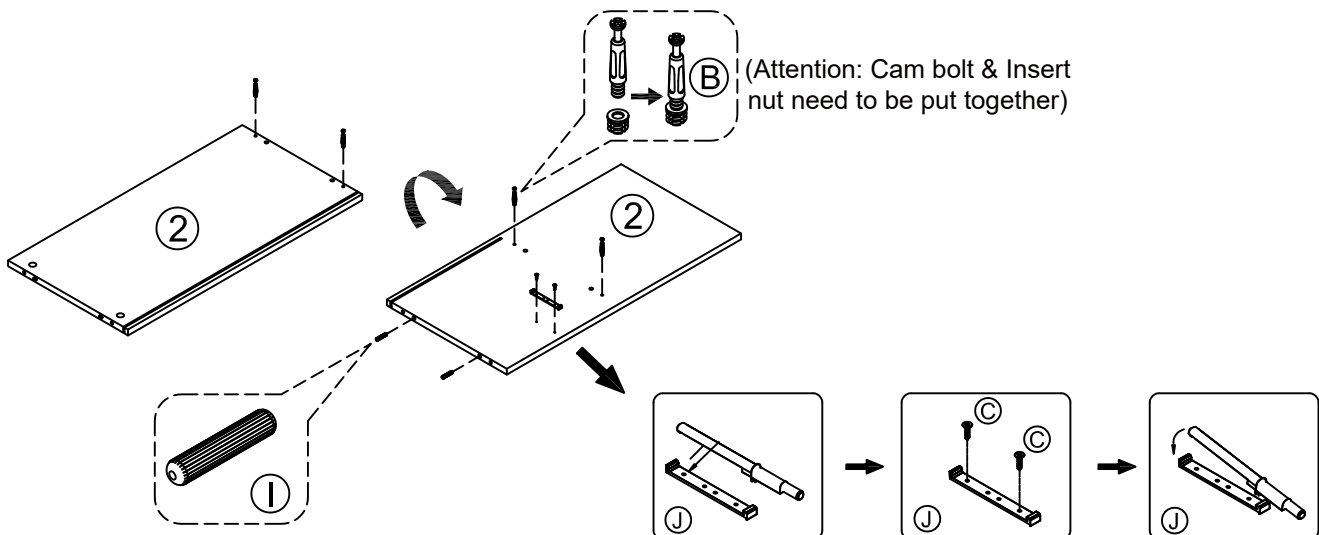
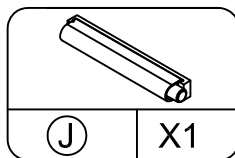
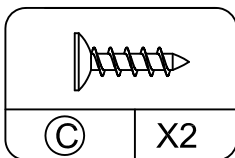
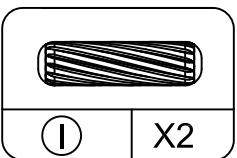
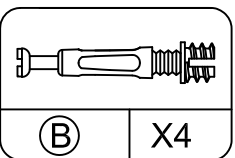
STEP 1

- Screw cam bolts (B) into panel (4) as below shown.
- Insert wood dowels (I) into panel (4) & (6) as shown in the picture.



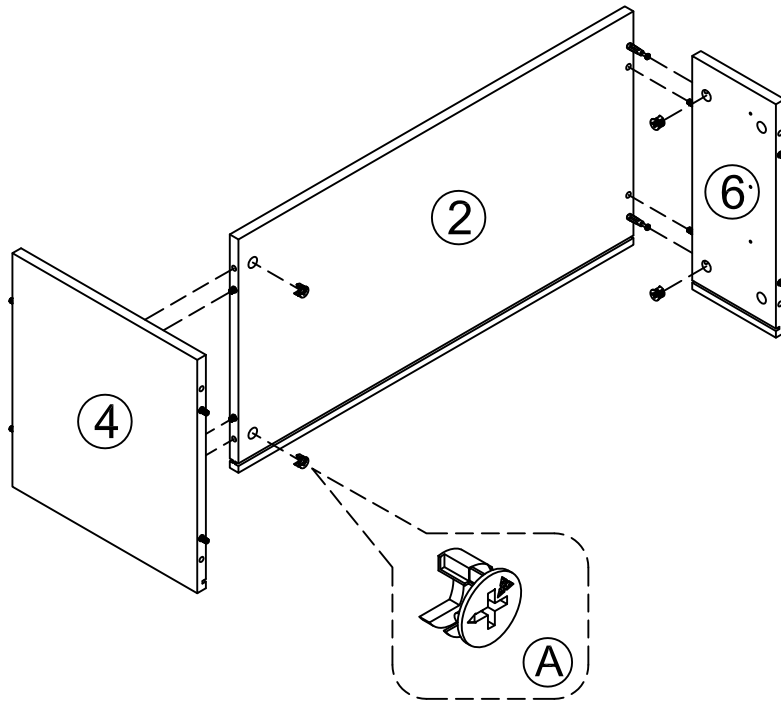
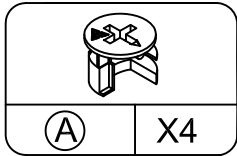
STEP 2

- Screw cam bolts (B) into panel (2) as below shown.
- Insert wood dowels (I) into panel (2) as shown in the picture.
- Lock the rebounder (J) to the panel (2) with the screw (C) as shown in the picture.



STEP 3

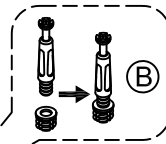
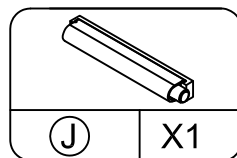
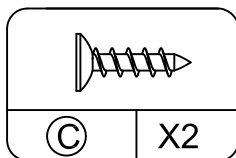
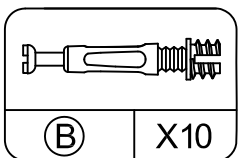
- Attach panel (4) & (6) to (2) with cam locks (A).



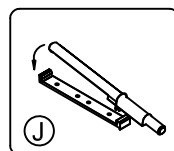
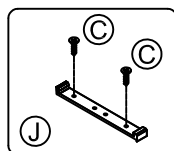
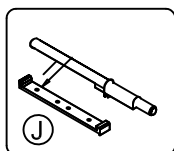
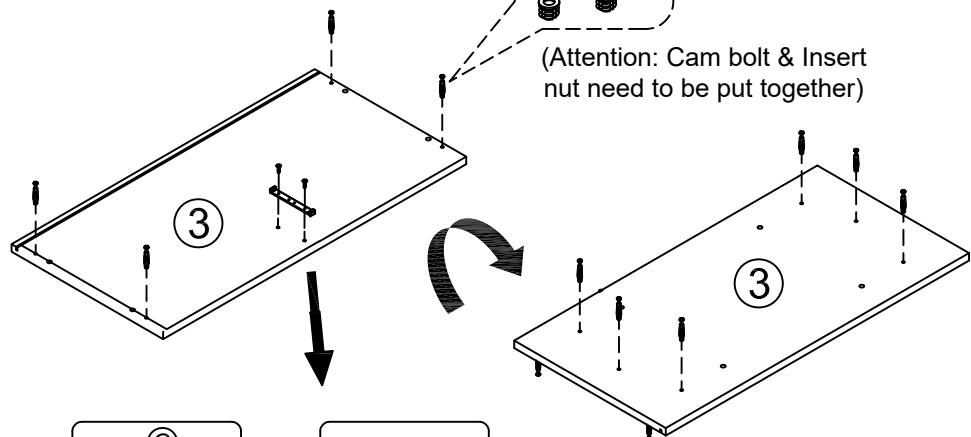
STEP 4

- Screw cam bolts (B) into panel (3) as below shown.

-Lock the rebounder (J) to the panel (3) with the screw (C) as shown in the picture.

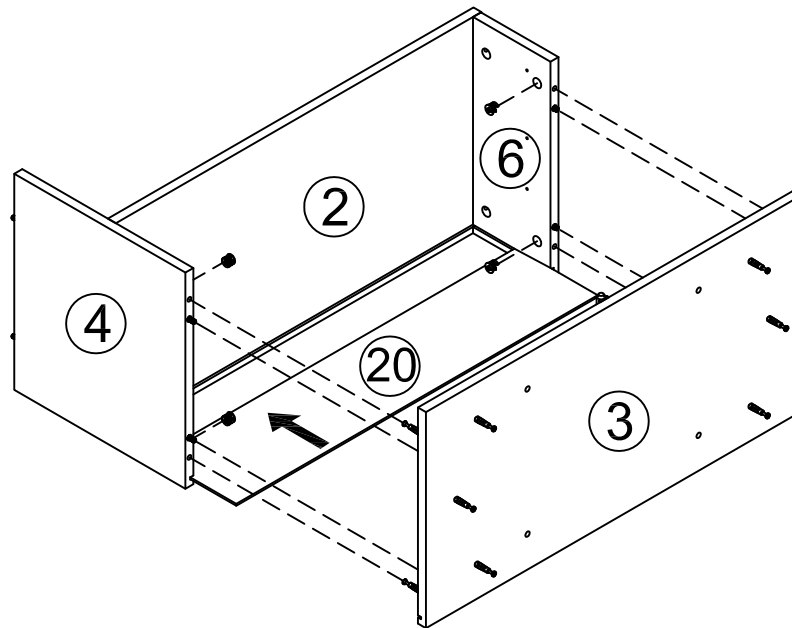
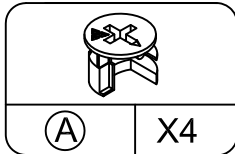


(Attention: Cam bolt & Insert nut need to be put together)



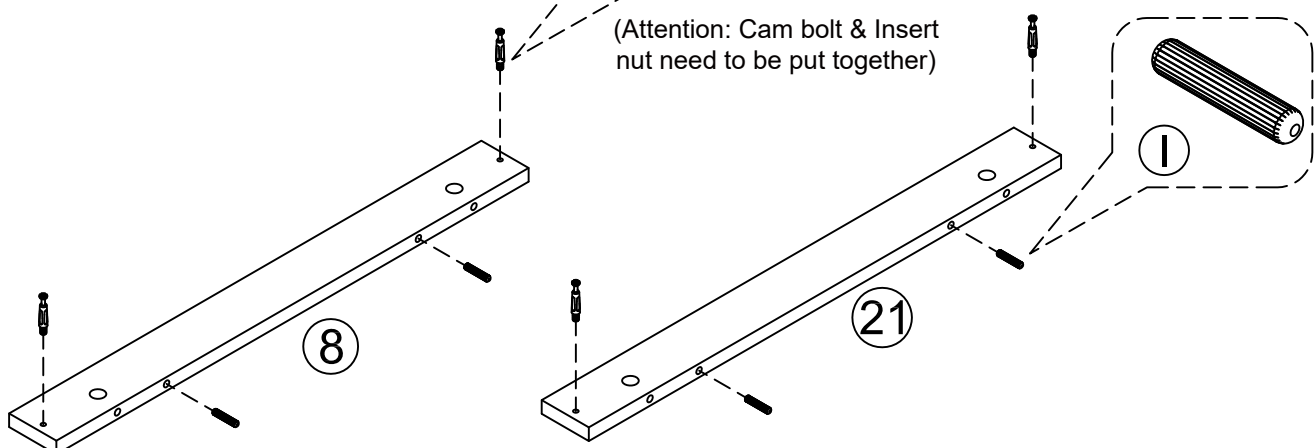
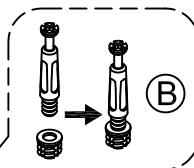
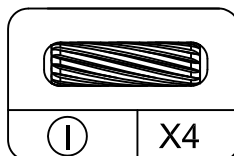
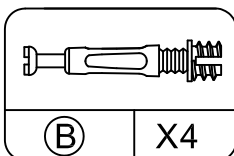
STEP 5

- Insert (20) into the slot as below shown.
- Attach panel (3) to (4) & (6) with cam locks (A).



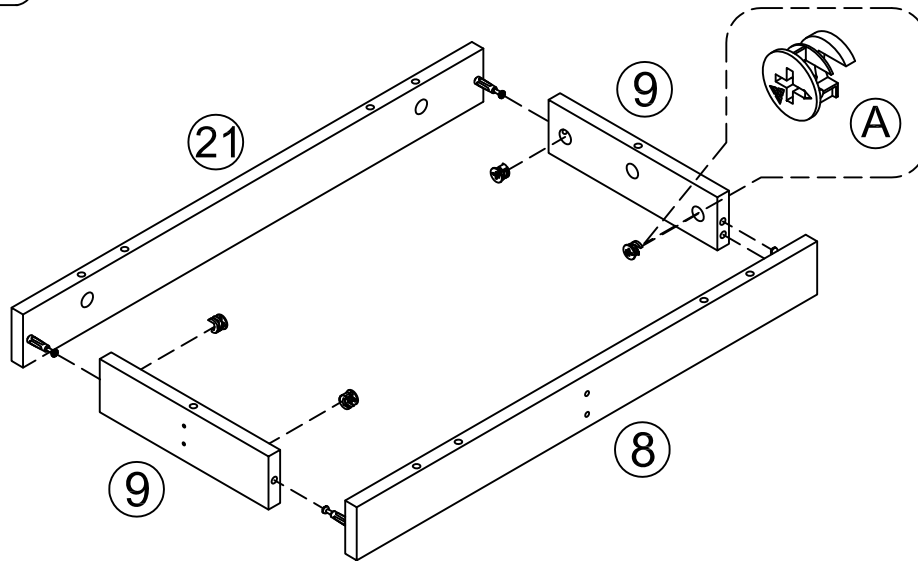
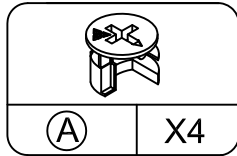
STEP 6

- Screw cam bolts (B) into panel (8) & (21) as below shown.
- Insert wood dowels (I) into panel (8) & (21) as shown in the picture.



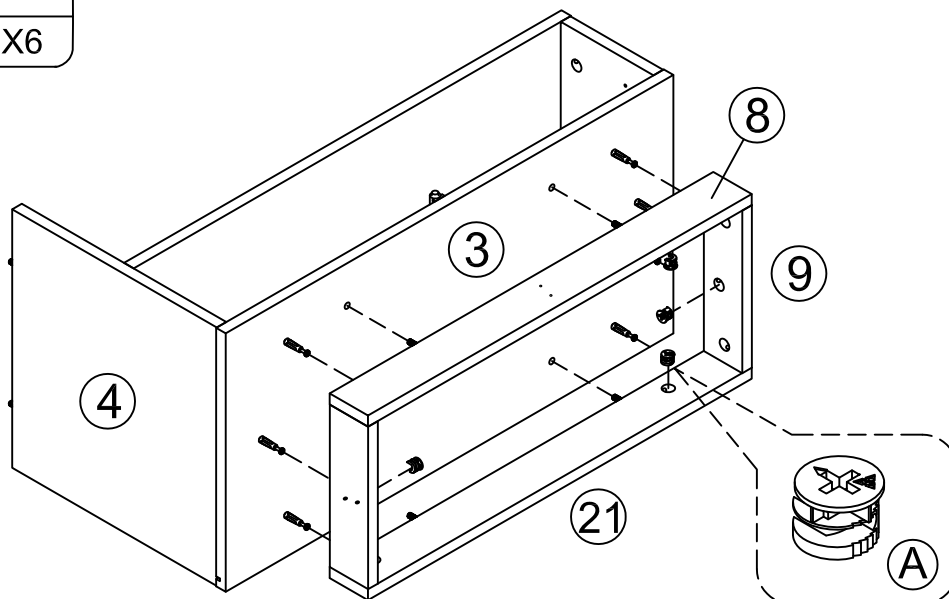
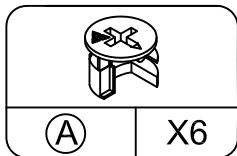
STEP 7

- Attach panel (8) & (21) to (9) with cam locks (A).



STEP 8

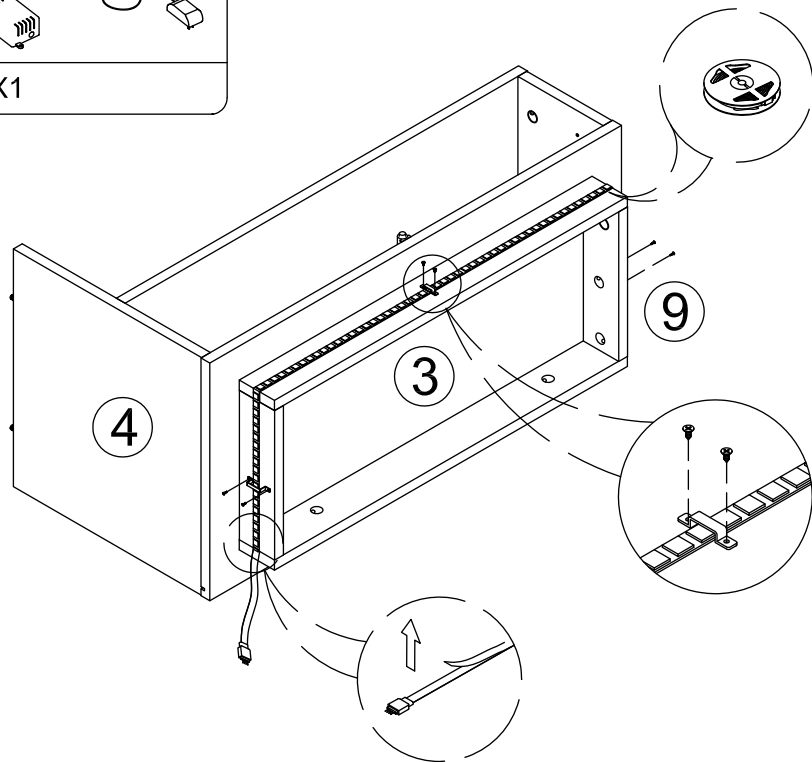
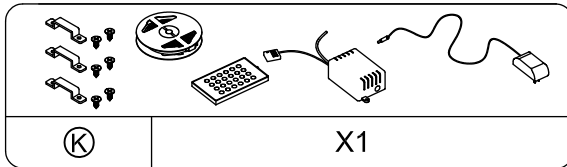
- Attach panel (8) & (9) & (21) to (3) with cam locks (A).



9

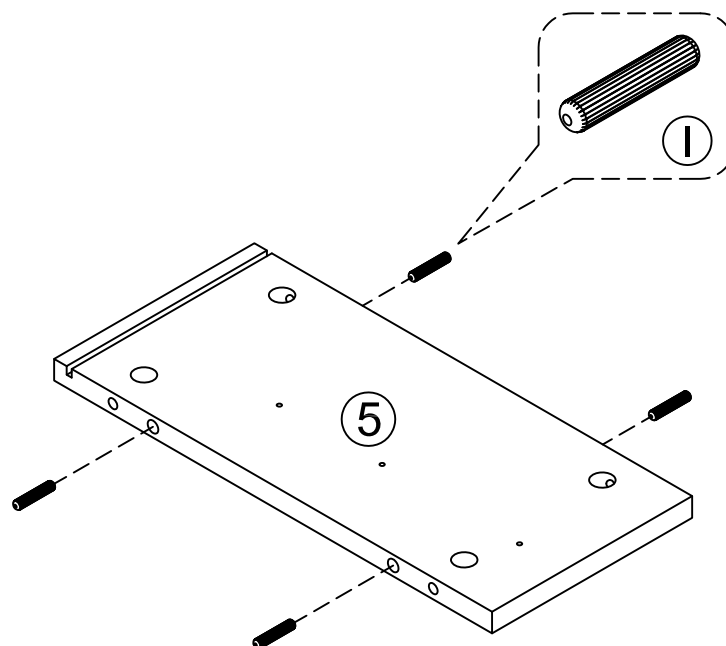
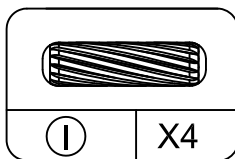
STEP 9

- Stick LED band to the side of the base.
- Fasten the LED band with buckles.



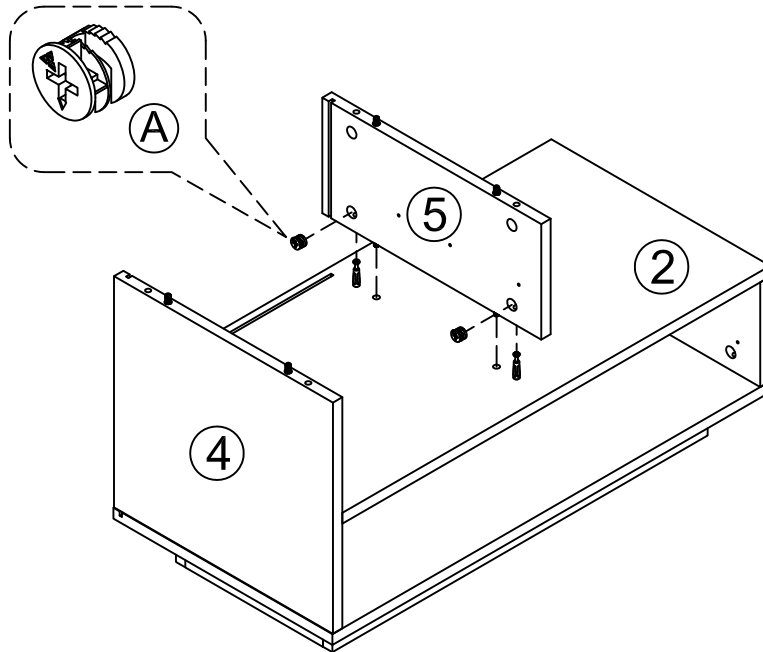
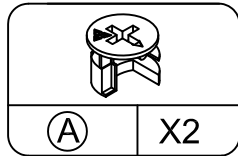
STEP 10

- Insert wood dowels (I) into panel (5) as shown in the picture.



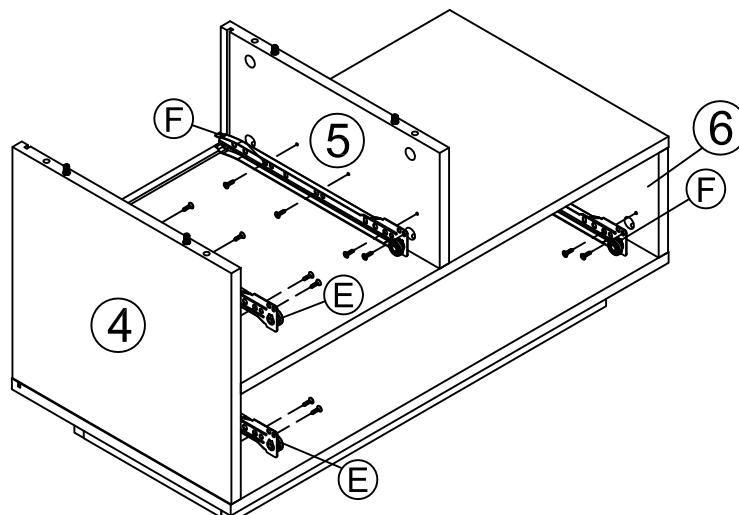
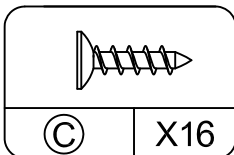
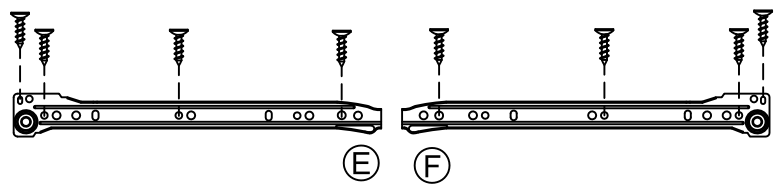
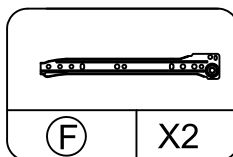
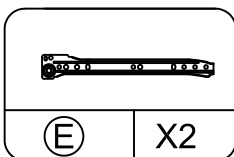
STEP 11

- Attach panel (5) to (2) with cam locks (A).



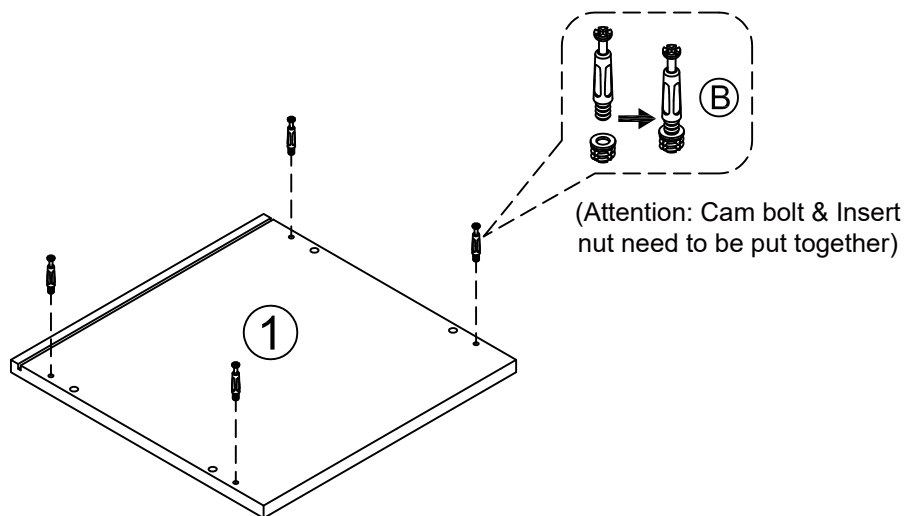
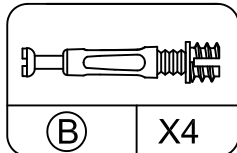
STEP 12

- Install drawer track (E) to panel (4) with screws (C).
 - Install drawer track (F) to panel (5) & (6) with screws (C).



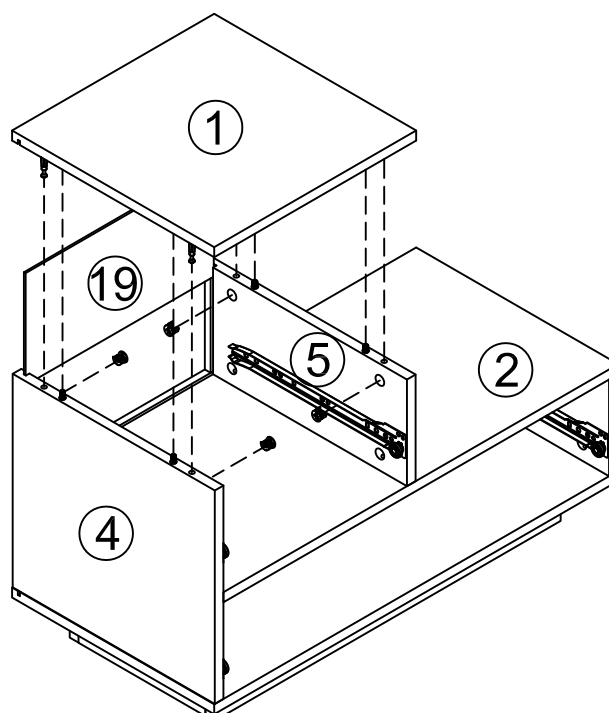
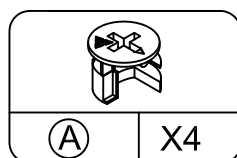
STEP 13

- Screw cam bolts (B) into panel (1) as below shown.



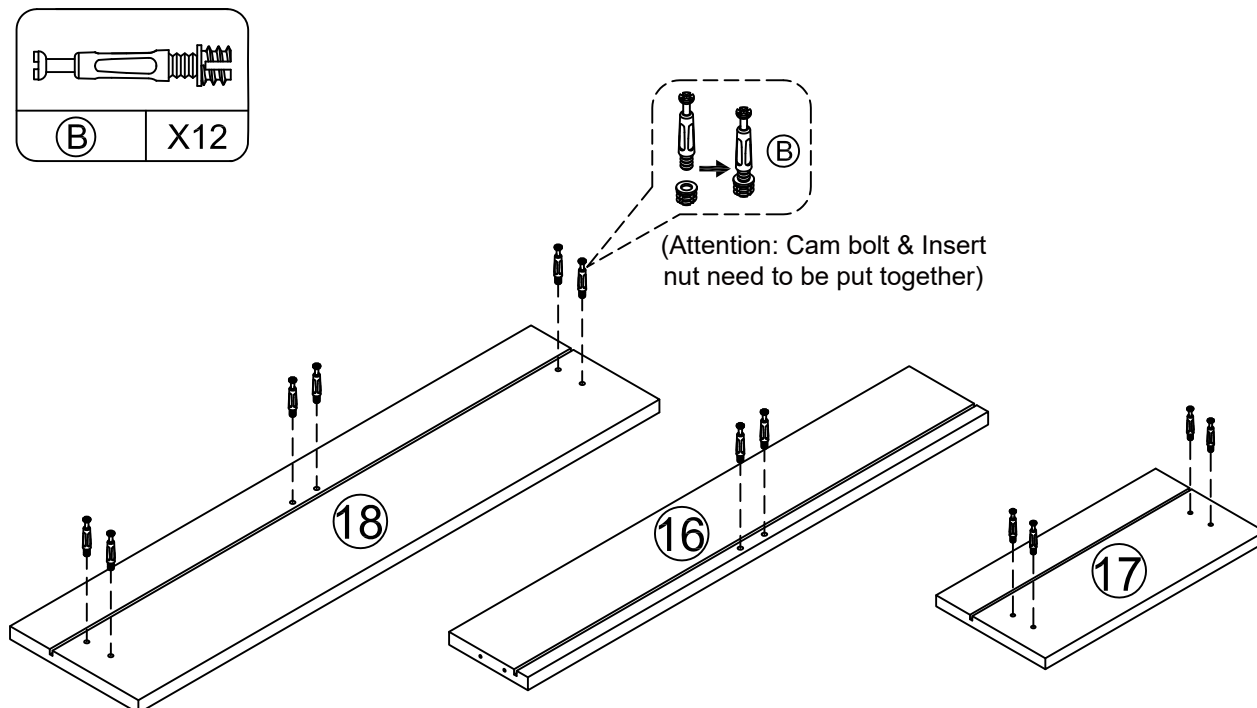
STEP 14

- Insert (19) into the slot as below shown.
 - Attach panel (1) to (4) & (5) with cam locks (A).



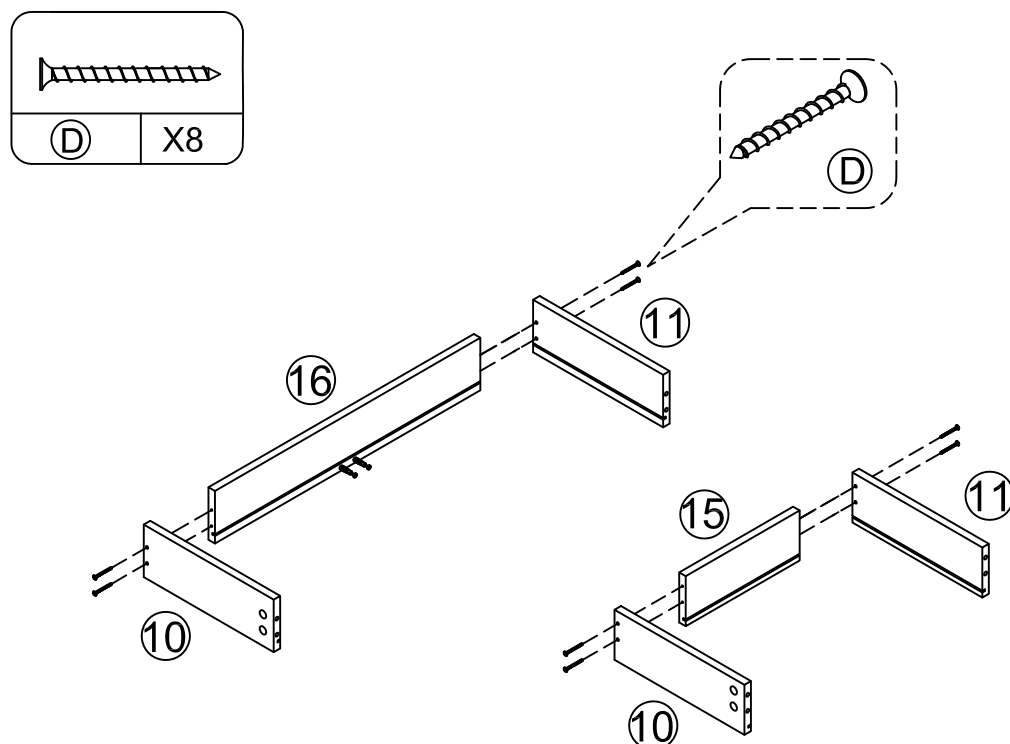
STEP 15

- Screw cam bolts (B) into panel (16) & (17) & (18) as below shown.



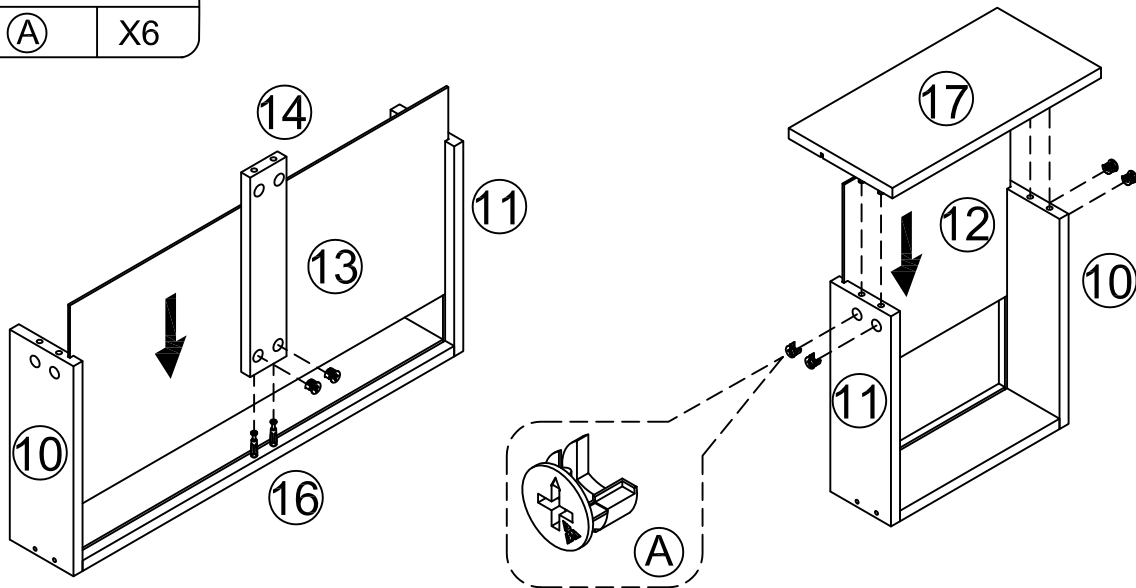
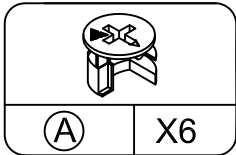
STEP 16

- Attach panel (10) & (11) to (15) & (16) with screw (D) as shown in the picture.



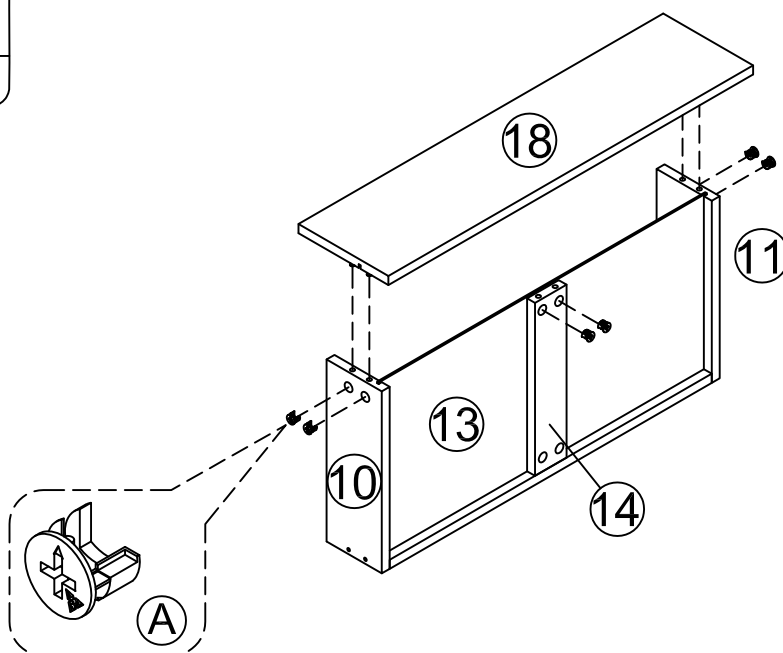
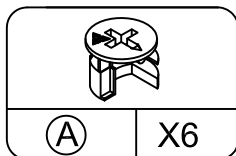
STEP 17

- Insert (12) & (13) into the slot as below shown.
- Attach panel (13) to (16) with cam locks (A).
- Attach panel (17) to (10) & (11) with cam locks (A).



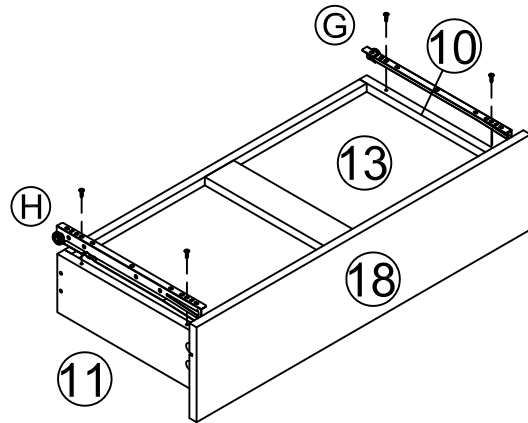
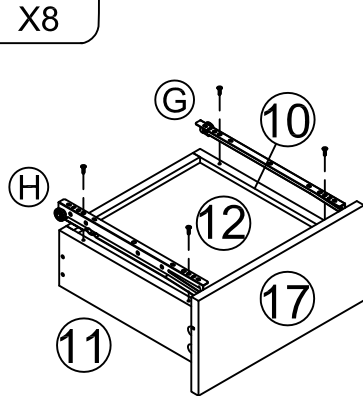
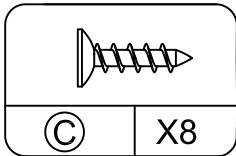
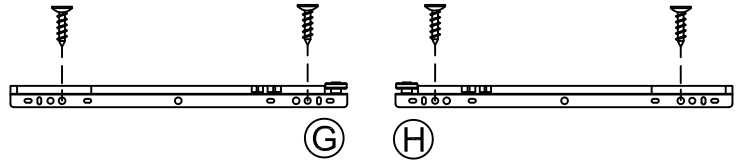
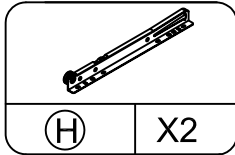
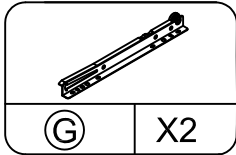
STEP 18

- Attach panel (18) to (10) & (11) & (14) with cam locks (A).



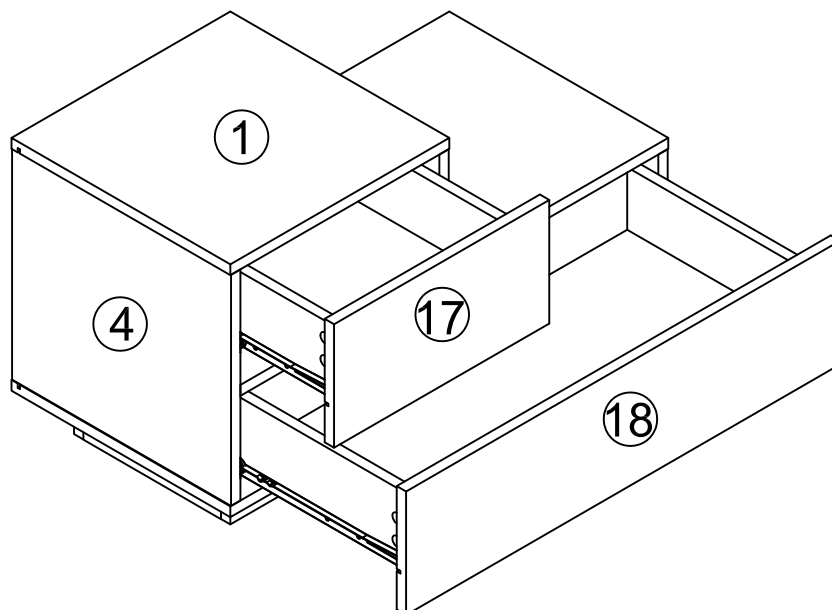
STEP 19

- Install drawer track (G) & (H) to panel (10) & (11) with screws (C).



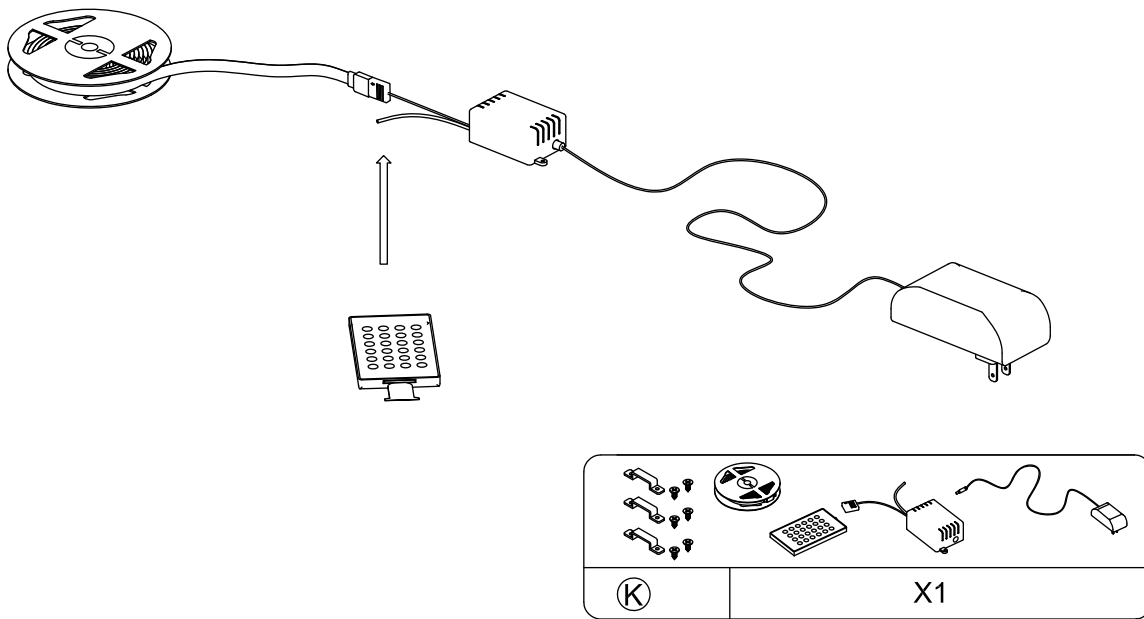
STEP 20

- Insert the drawers.



STEP 21

- Connected pin of LED and power adapter to the RGB control box as below.
 - Remove the battery protection pad from remote controller.
 - Align remote controller to the RGB Control box to adjust the color mode.
- Specifications of battery:cr2025 3v



STEP 22

- Installation complete.

