

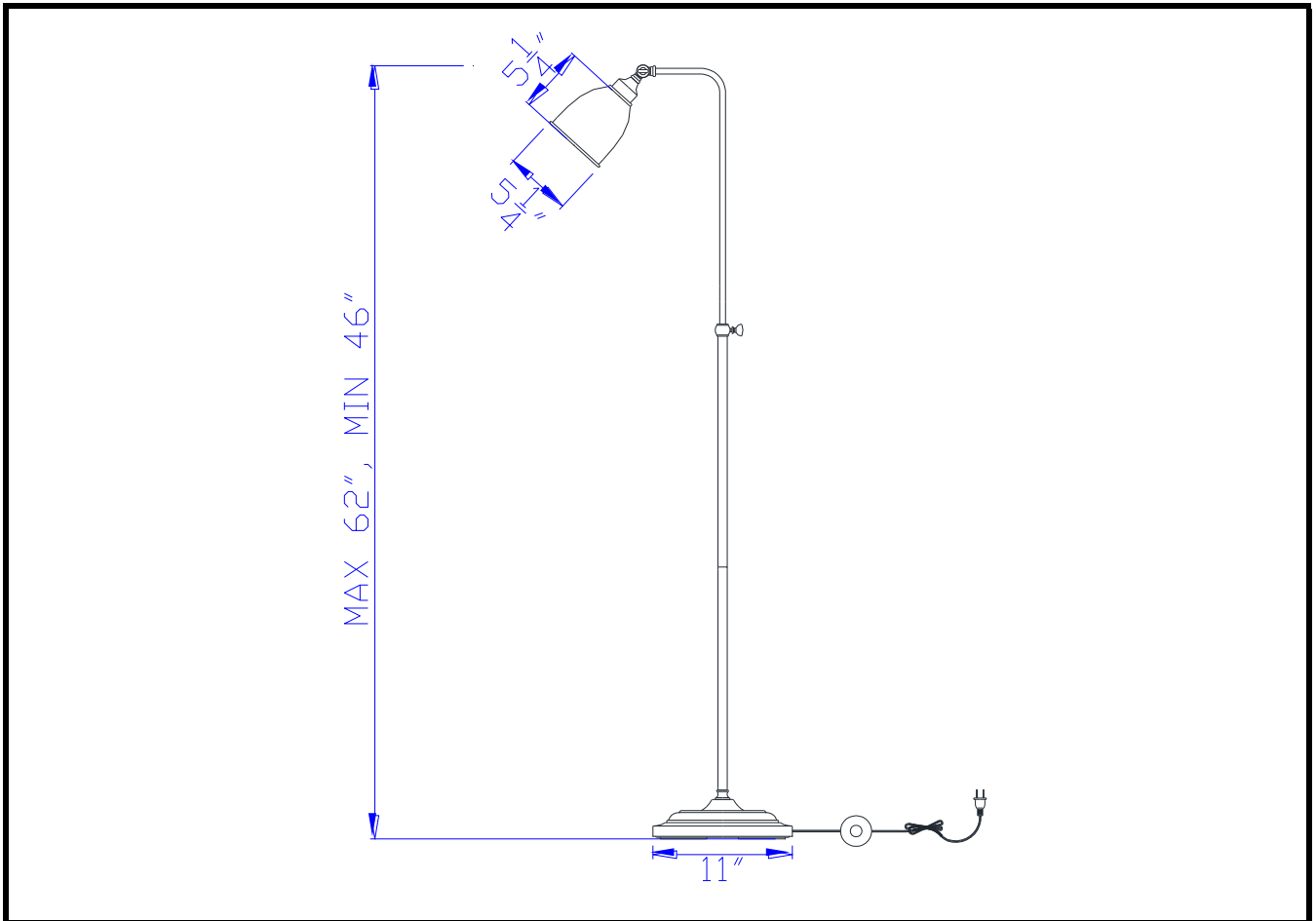
Type: _____

Project: _____

Catalog No.: _____

Lamp/Wattage: _____

Drawing:



Description: Pharmacy Floor Lamp with Adjustable Pole

Material: Metal

Finish : AB (Antique Bronze)

Height: 46"~62"

Base Width: Dia.11"

Wattage : 60W

Socket : Medium Base (E27)

Switch: On/Off Foot

Bulb: Incandescent, CFL

Wire Length: 6'

Wire Color: Gold

Material: Metal

Shade size: Dia 5 1/4"

Certificate : 