

Eyes marked with red sticker: only for left lift version; Eyes marked with white sticker: only for right lift version; Eyes marked without sticker: universal eyes for both versions

Ux1



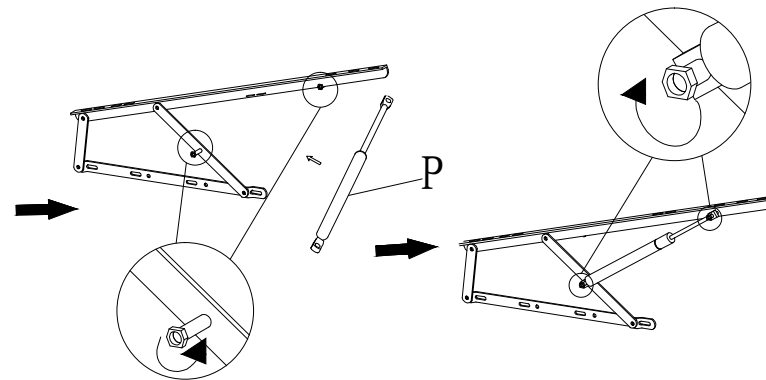
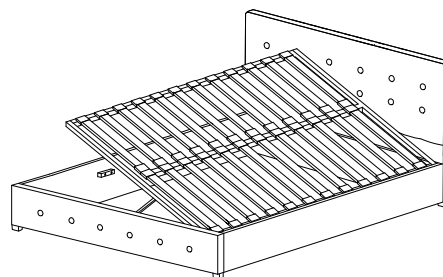
Vx6



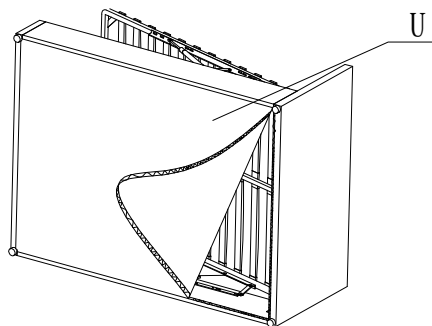
(3*20)

11

Wx4



12



13

