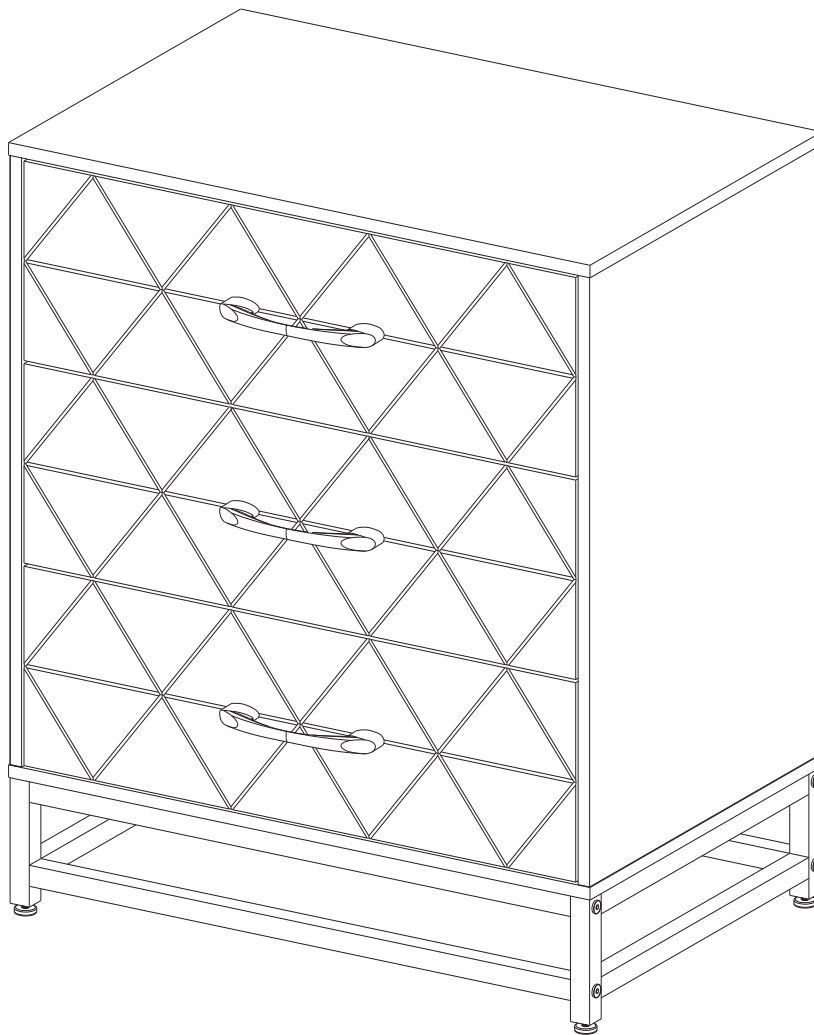
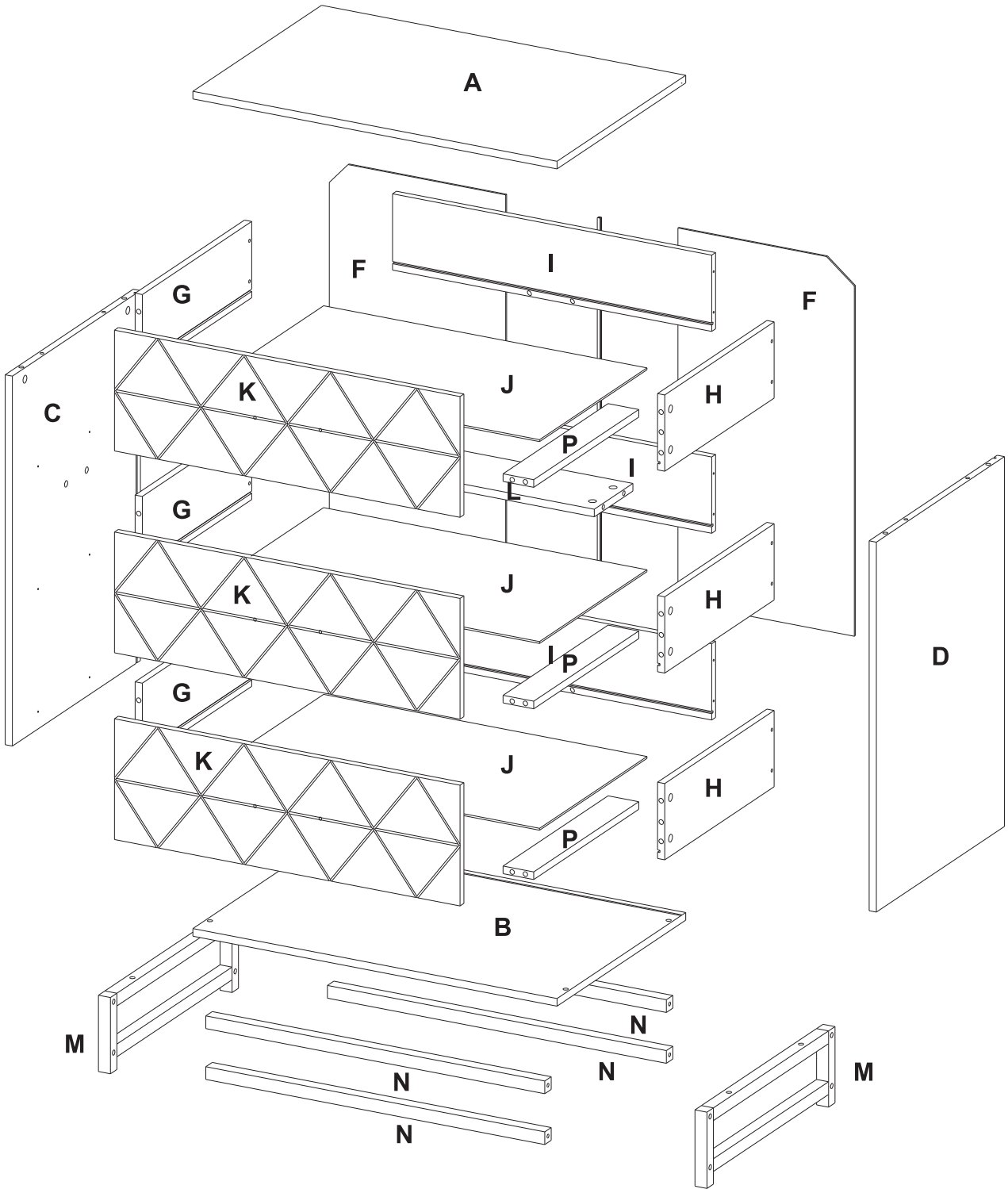


INSTALLATION INSTRUCTION

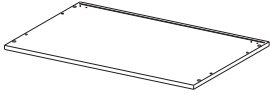

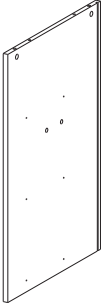


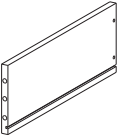
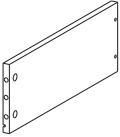
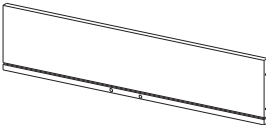

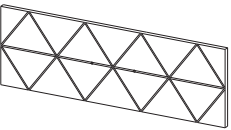

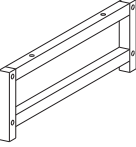


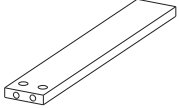


Thank you for purchasing our products. Please contact us if you have difficulty with assembly or need replacement parts. Our customer service is here to assist you. Please attach your User Name and Order ID so that we can assist you better.
support@jojoka.net

BOARD IDENTIFICATION



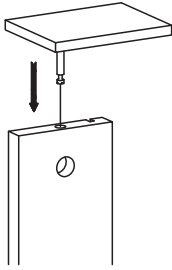
BOARD IDENTIFICATION

				
Ax1	Bx1	Cx1	Dx1	Fx2
				
Gx3	Hx3	Ix3	Jx3	Kx3
				
Lx1	Mx2	Nx4	Ox1	Px3

BOARD IDENTIFICATION

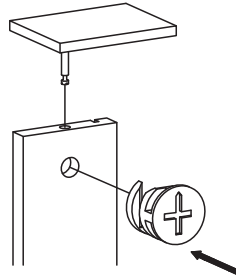
Installation of Eccentric Wheel Nut Set

1



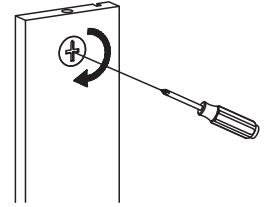
Screw the end of cambolt on the board, find the corresponding board and insert the other end.

2

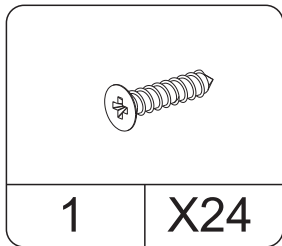


Stuff the camlock into the round hole. The arrowpoints to the cambolt.

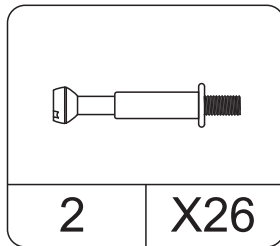
3



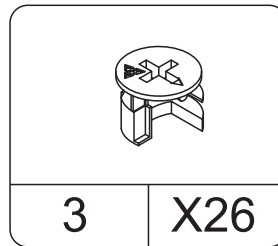
Turn clockwise about 180° to lock the plate.



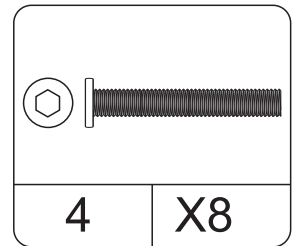
Screws
M4X10



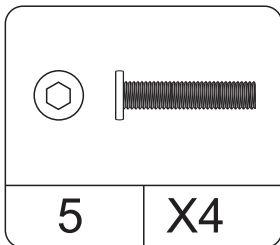
Cam bolt
Ø6X18



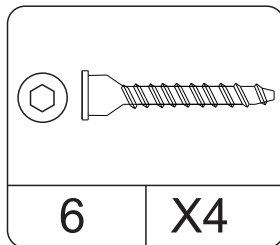
Cam lock
Ø 12X10



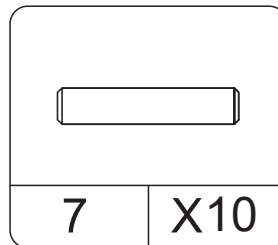
Screws
M6x35



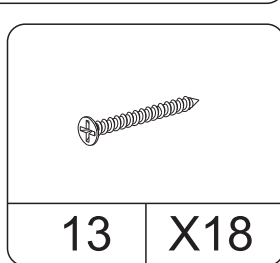
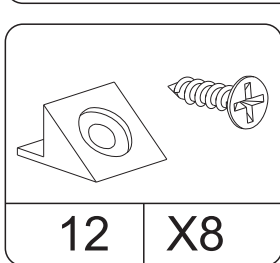
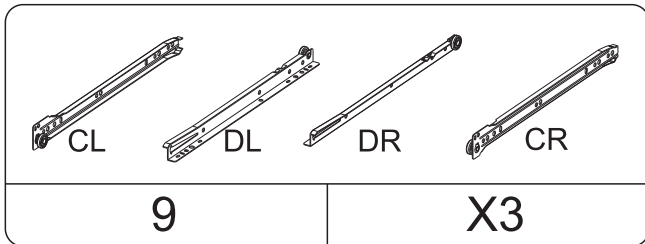
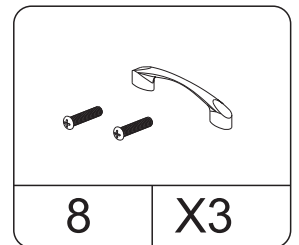
Screws
M6x28



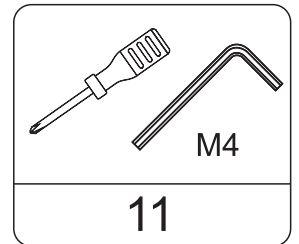
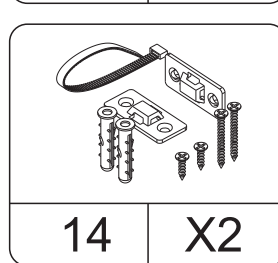
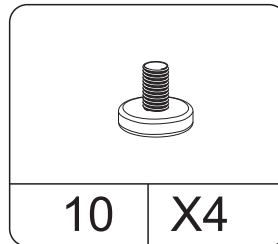
Screws
M6.3x40



Wood dowel
Ø6X30

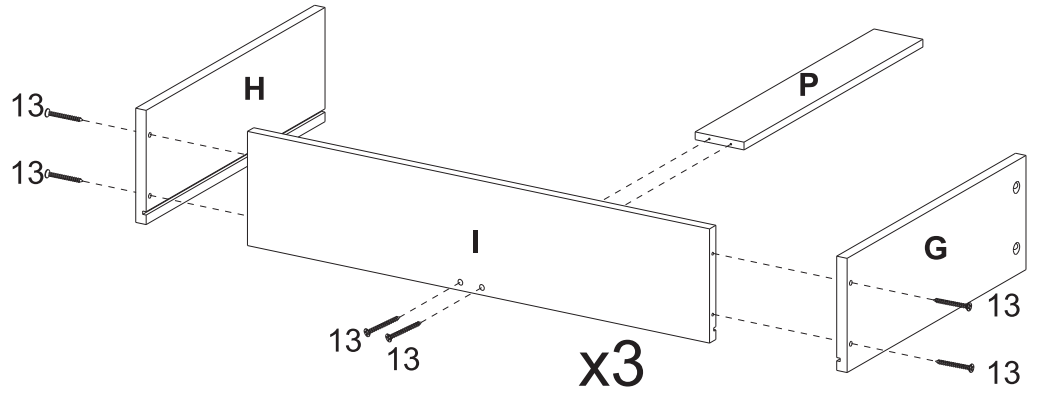
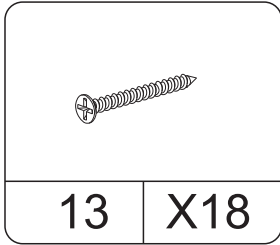


Screws
M4x30

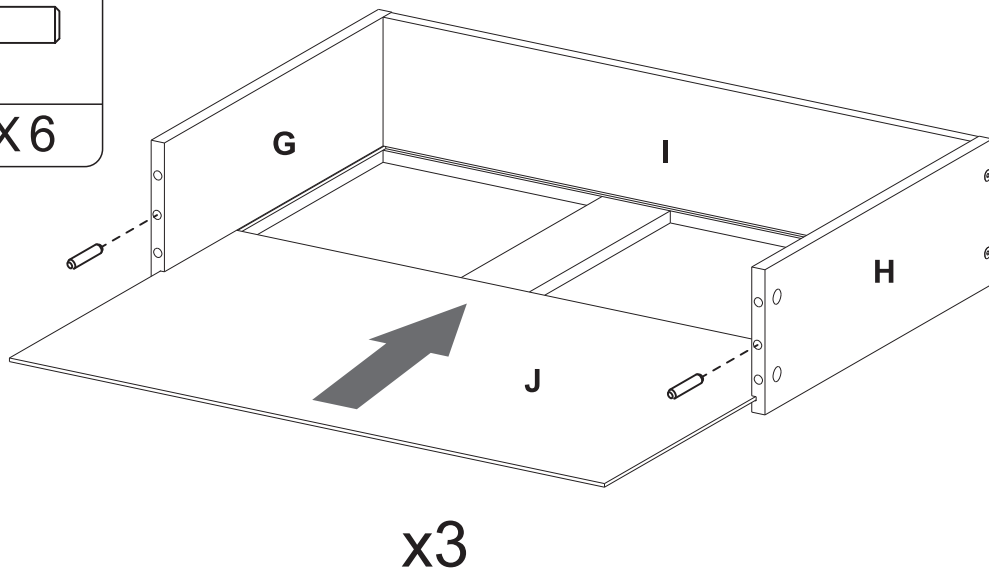
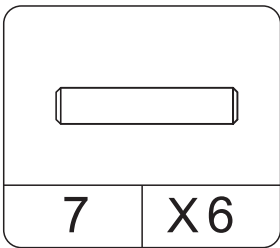


INSTALLATION STEPS

STEP1:

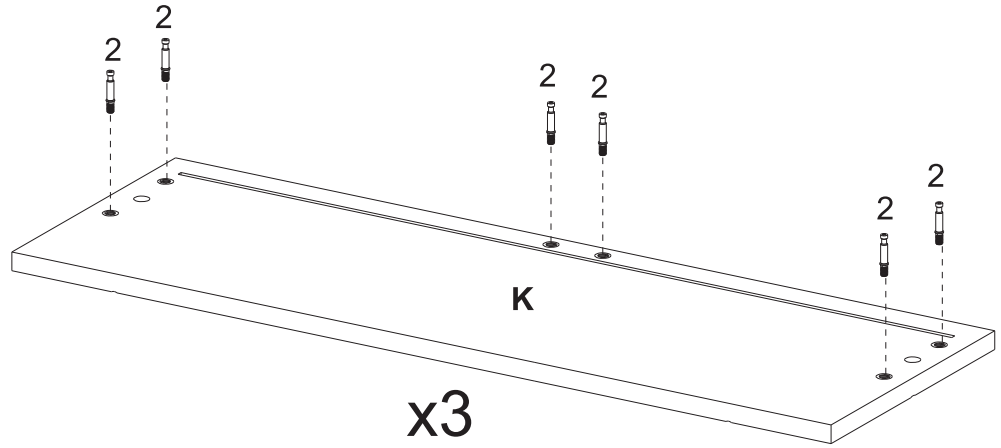
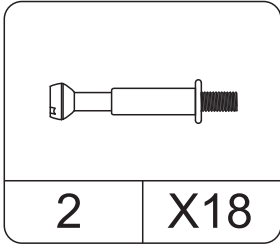


STEP2:

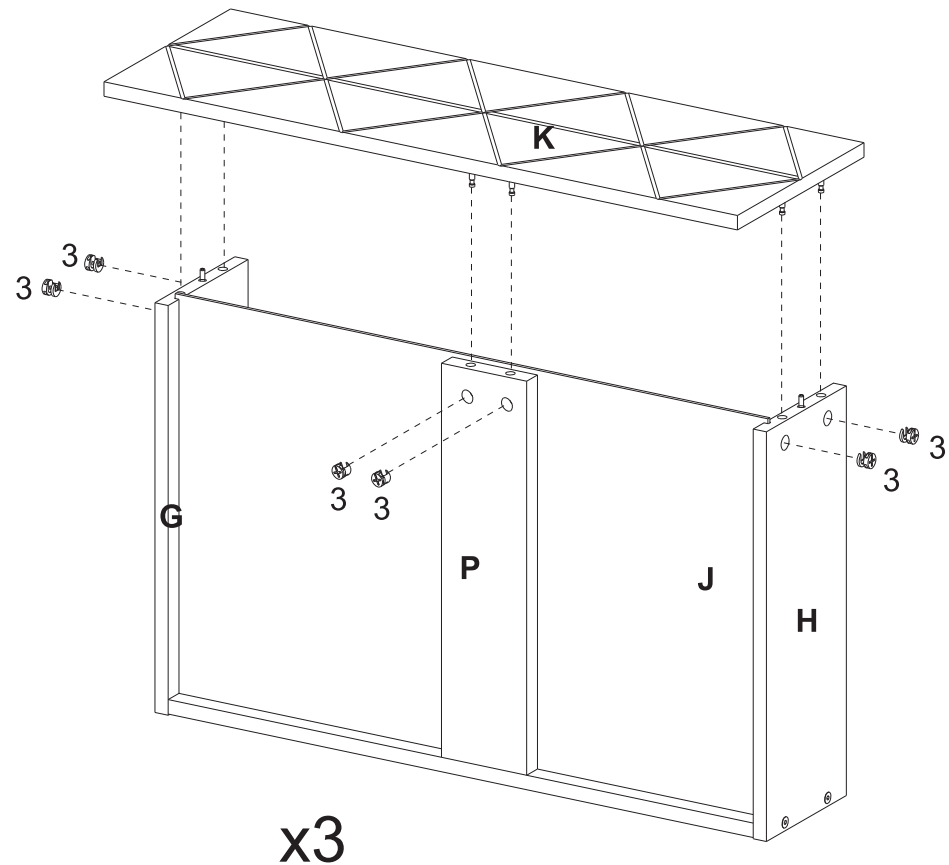
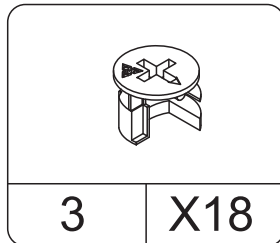


INSTALLATION STEPS

STEP3:

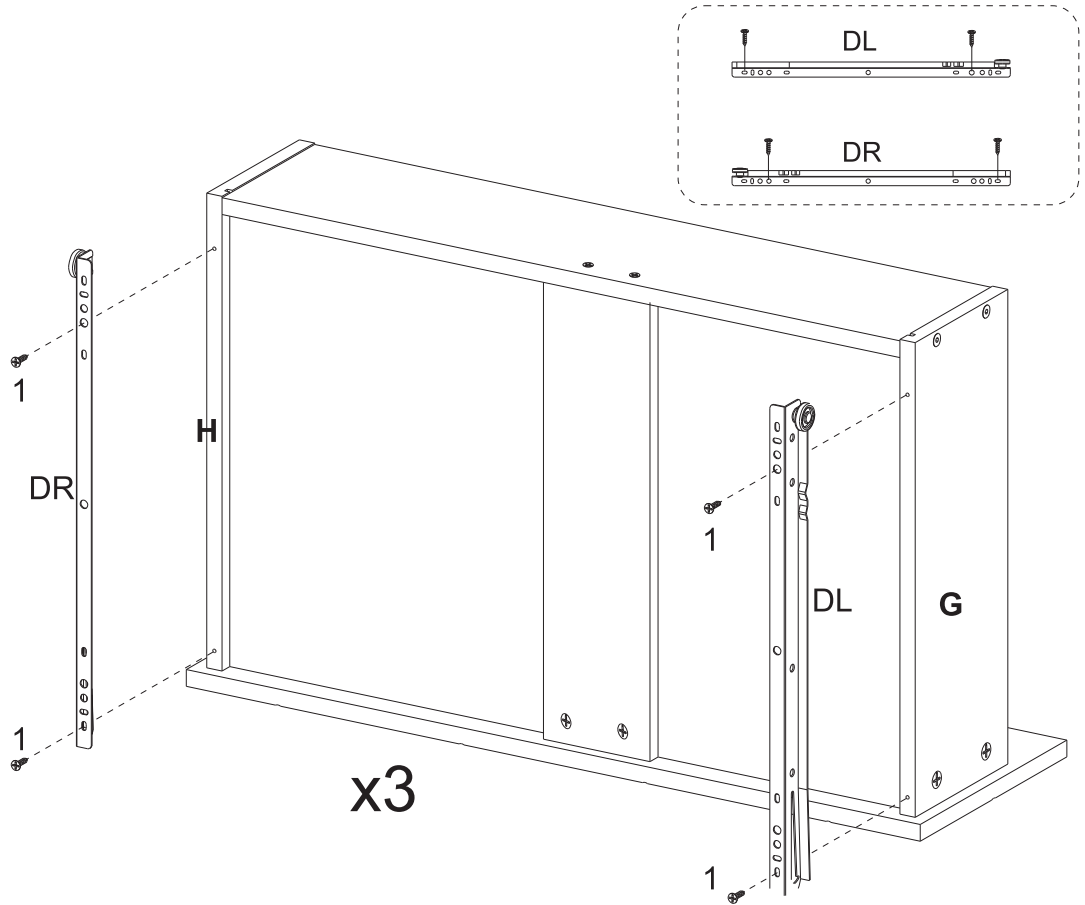
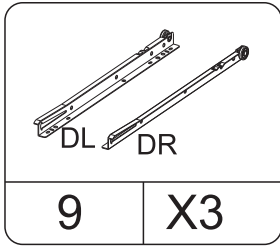
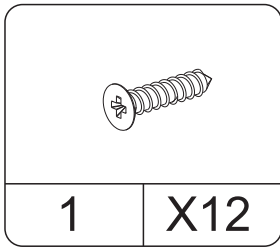


STEP4:

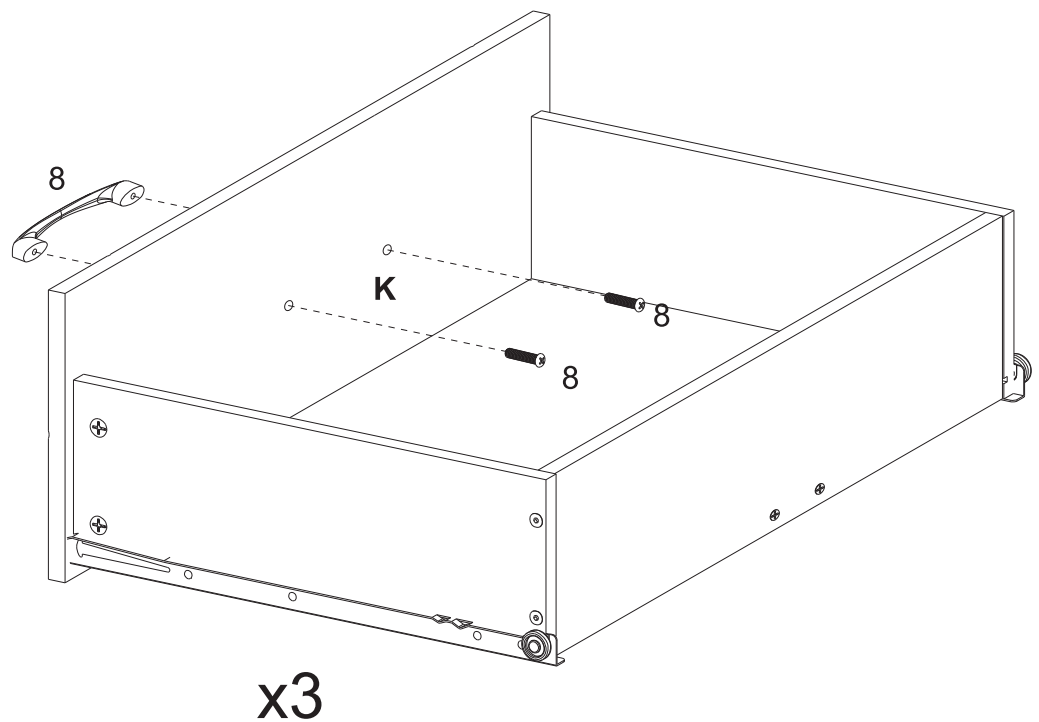
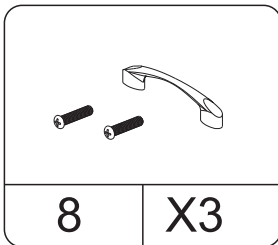


INSTALLATION STEPS

STEP5:

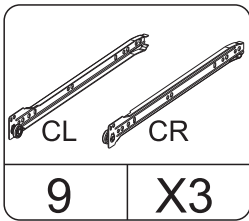
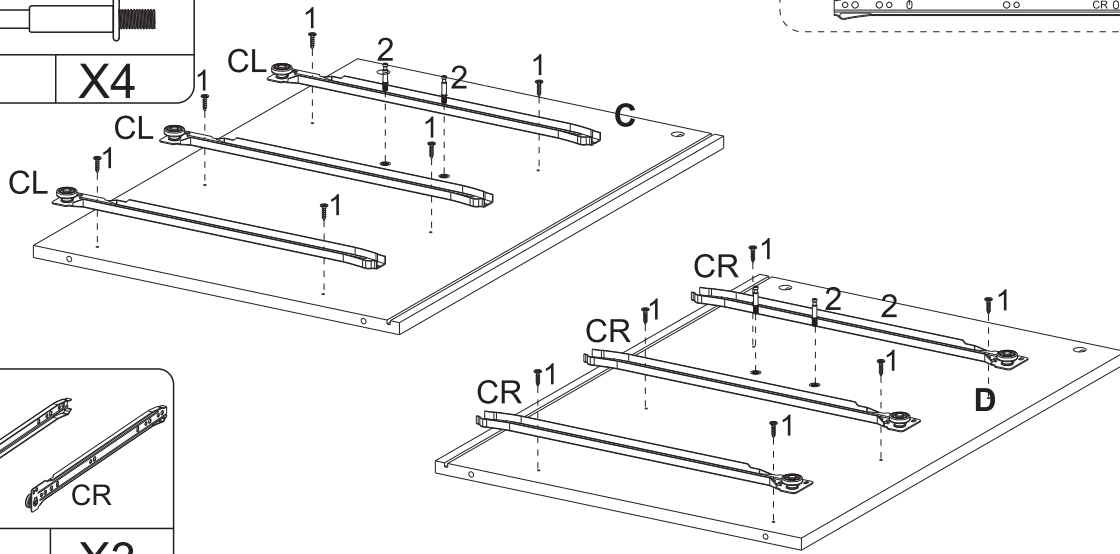
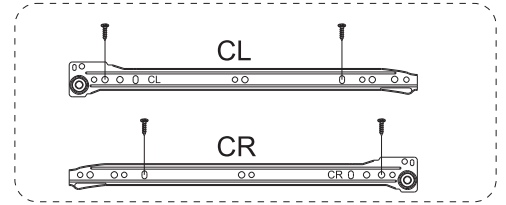
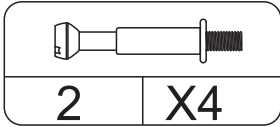
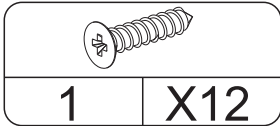


STEP6:

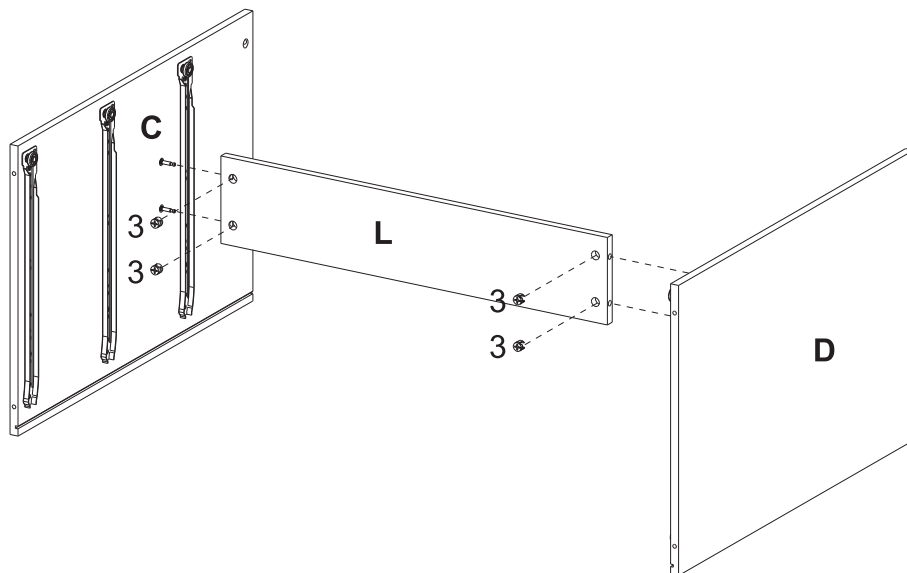
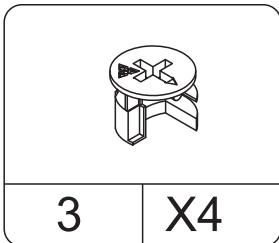


INSTALLATION STEPS

STEP7:

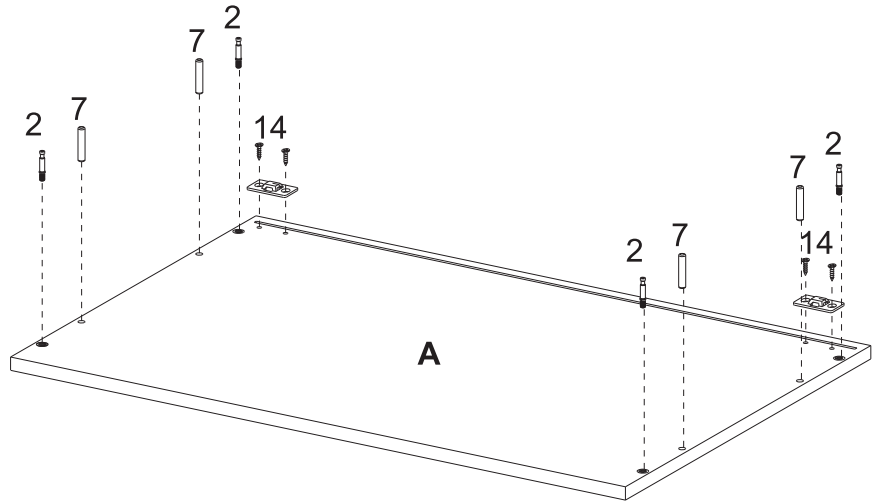
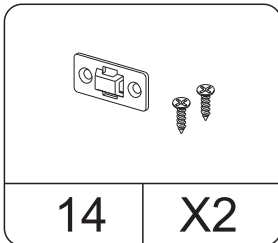
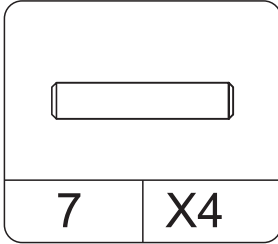
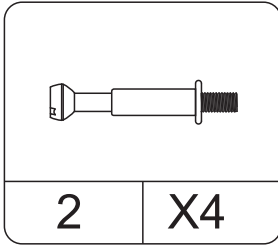


STEP8:

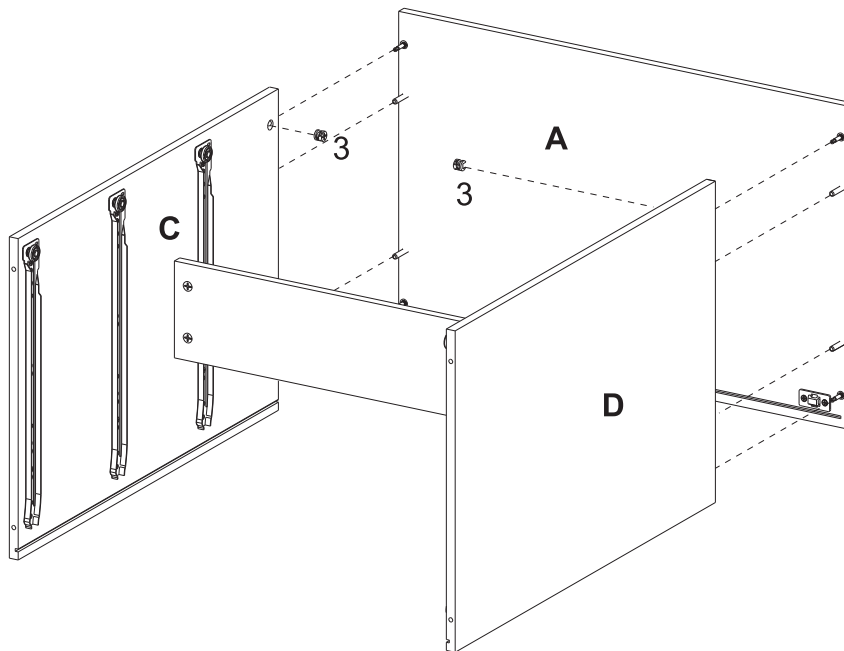
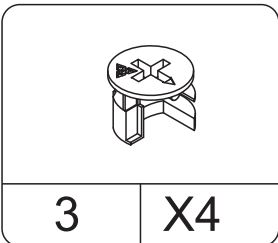


INSTALLATION STEPS

STEP9:

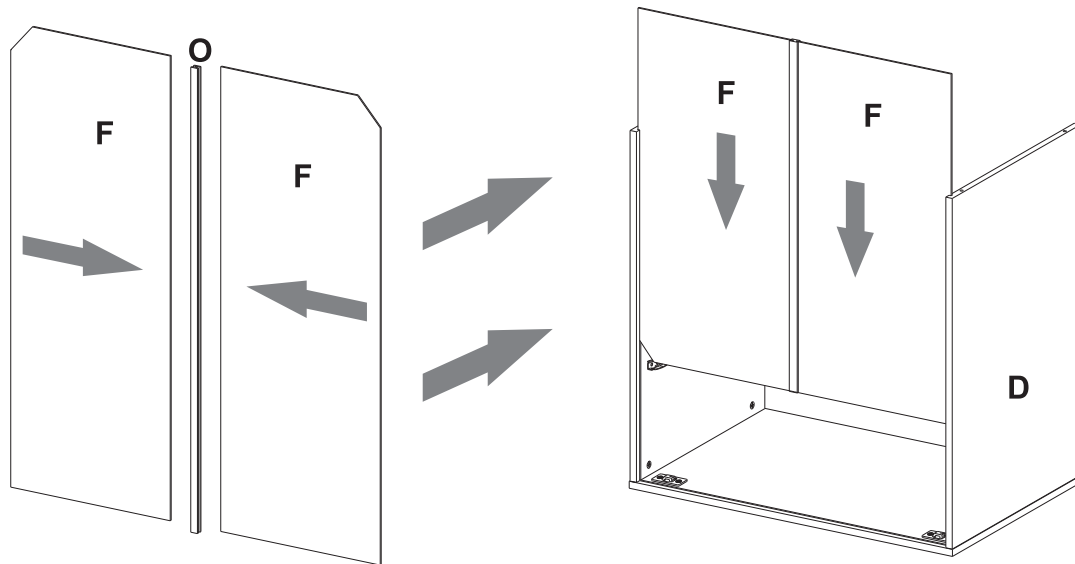


STEP10:

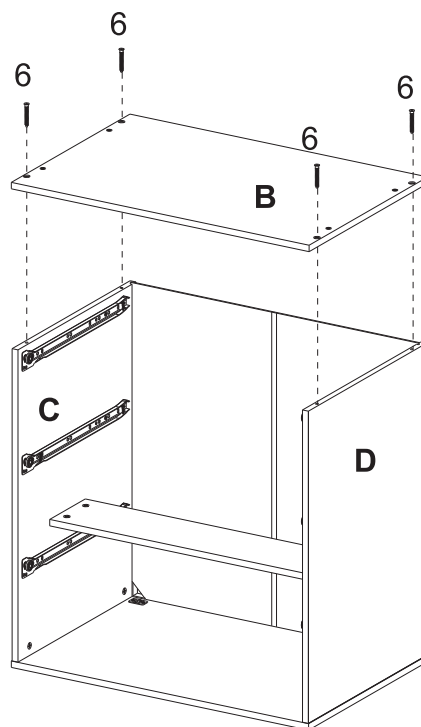
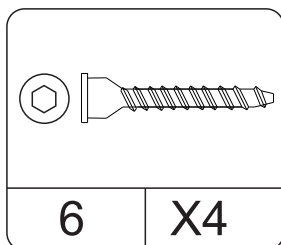


INSTALLATION STEPS

STEP11:

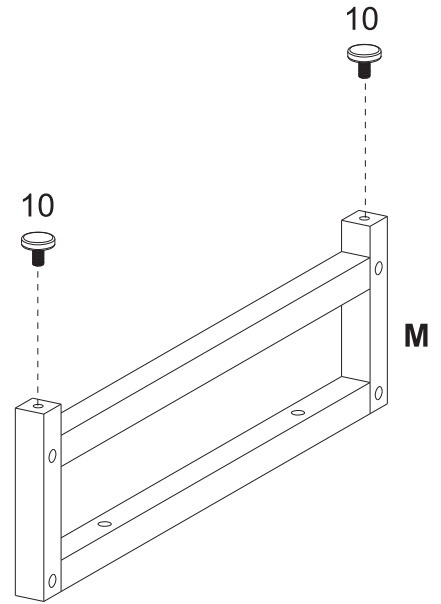
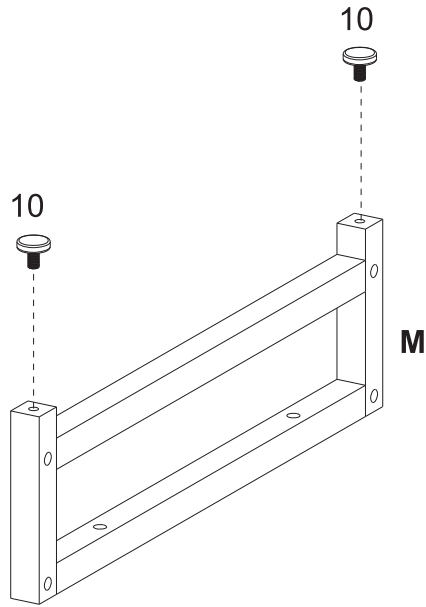
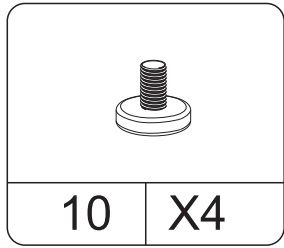


STEP12:

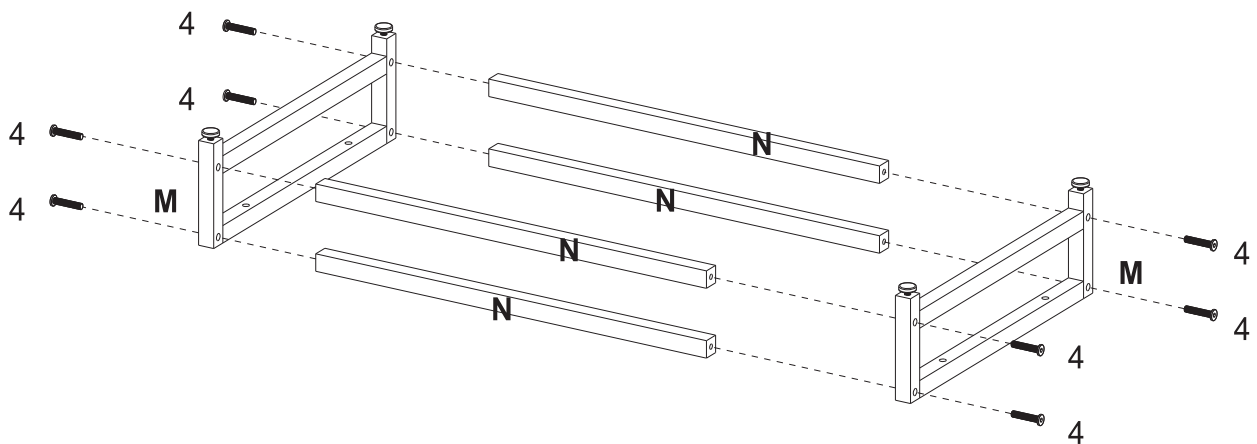
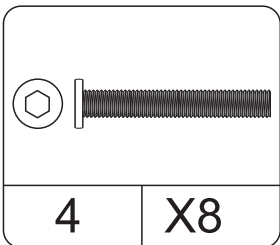


INSTALLATION STEPS

STEP13:

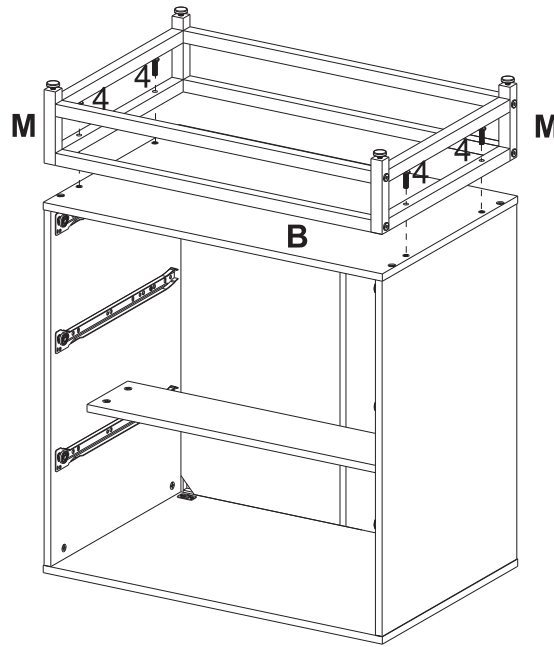
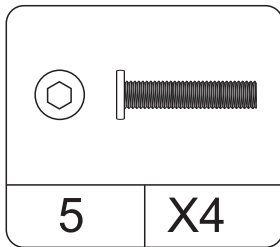


STEP14:

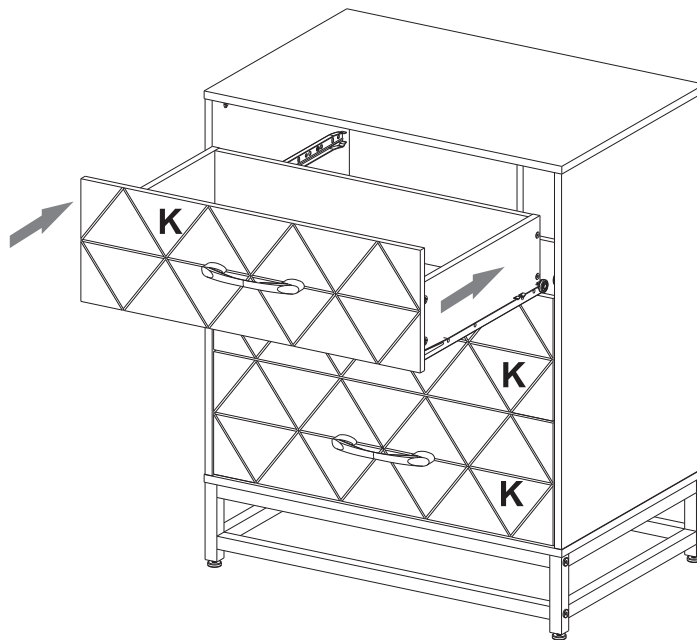


INSTALLATION STEPS

STEP15:

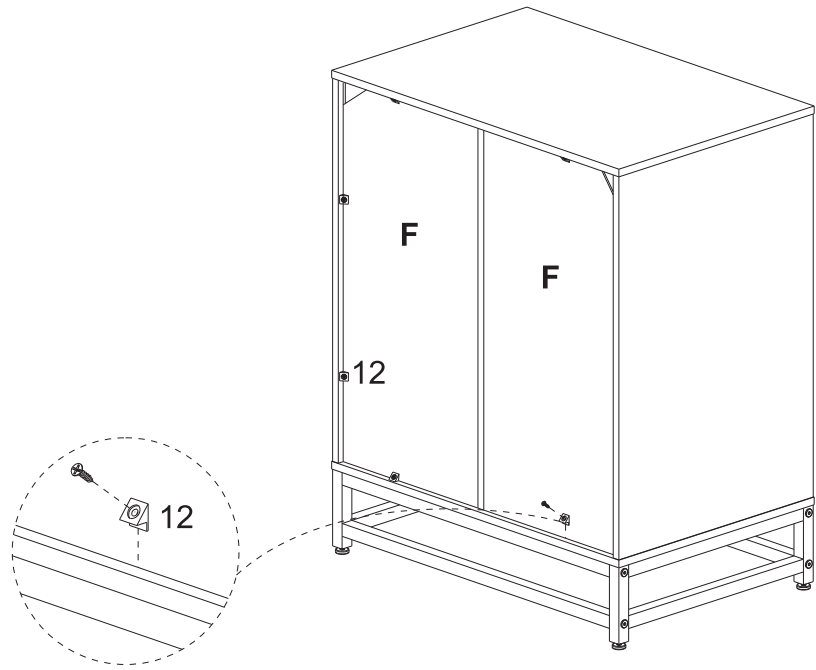
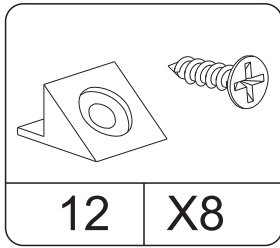


STEP16:

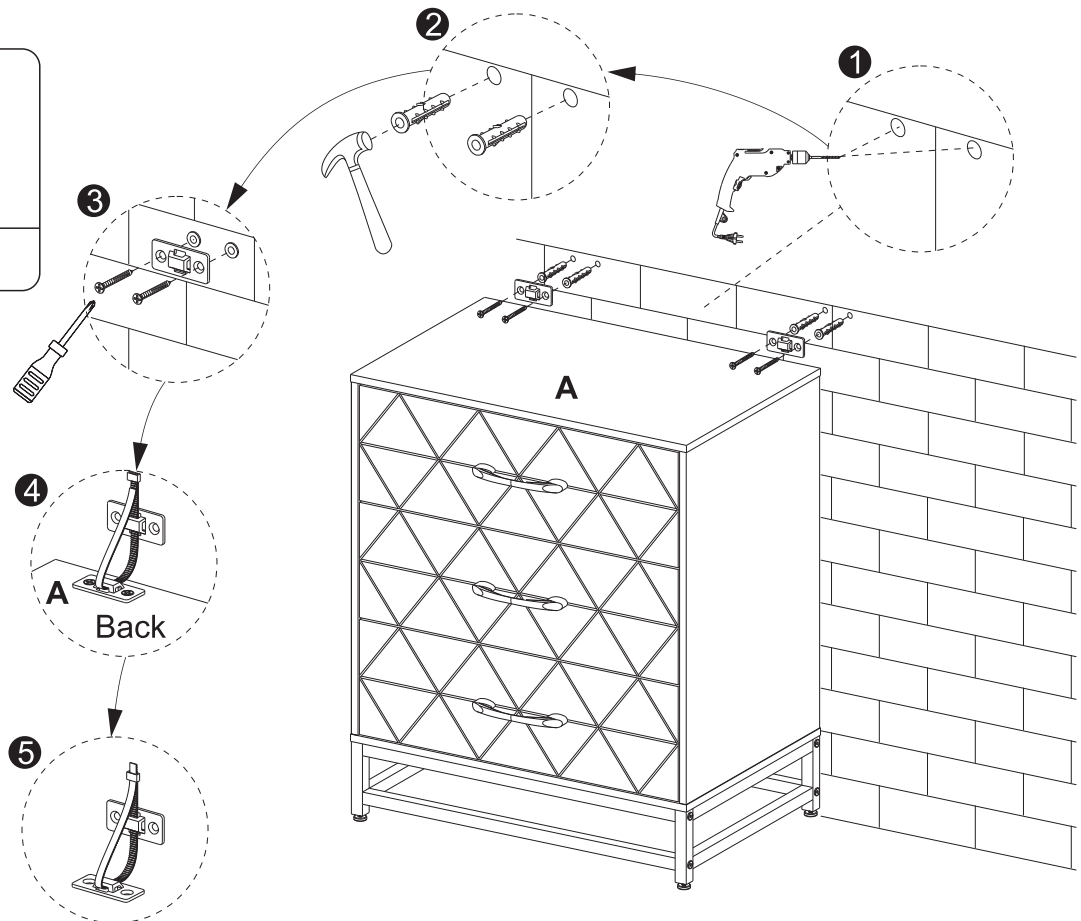
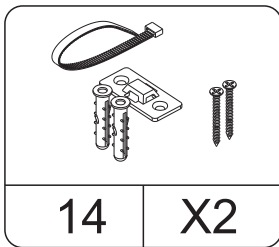


INSTALLATION STEPS

STEP 17:

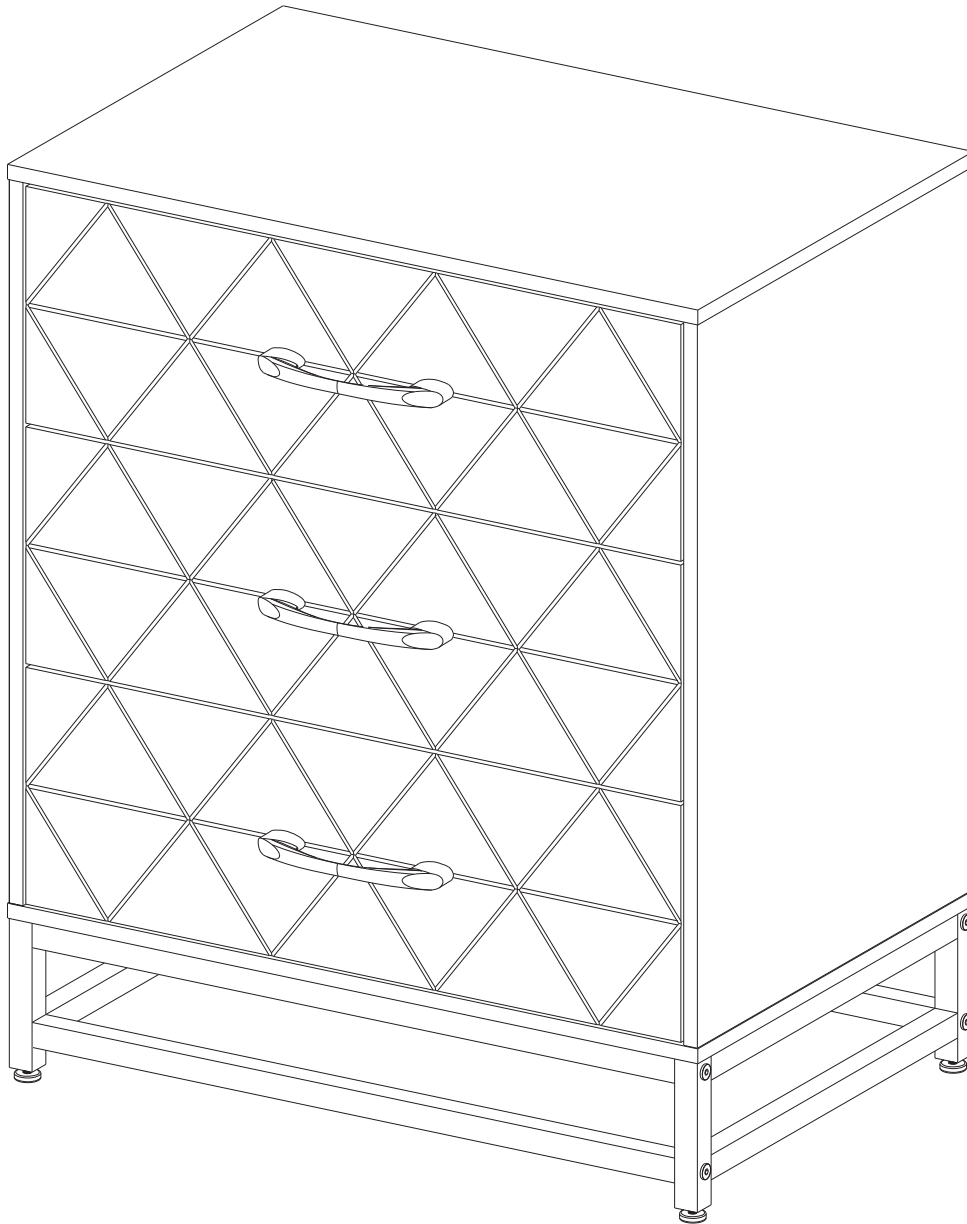


STEP 18:



INSTALLATION STEPS

STEP19:



Thank you for purchasing our products. Please contact us if you have difficulty with assembly or need replacement parts. Our customer service is here to assist you. Please attach your User Name and Order ID so that we can assist you better. support@jojoka.net