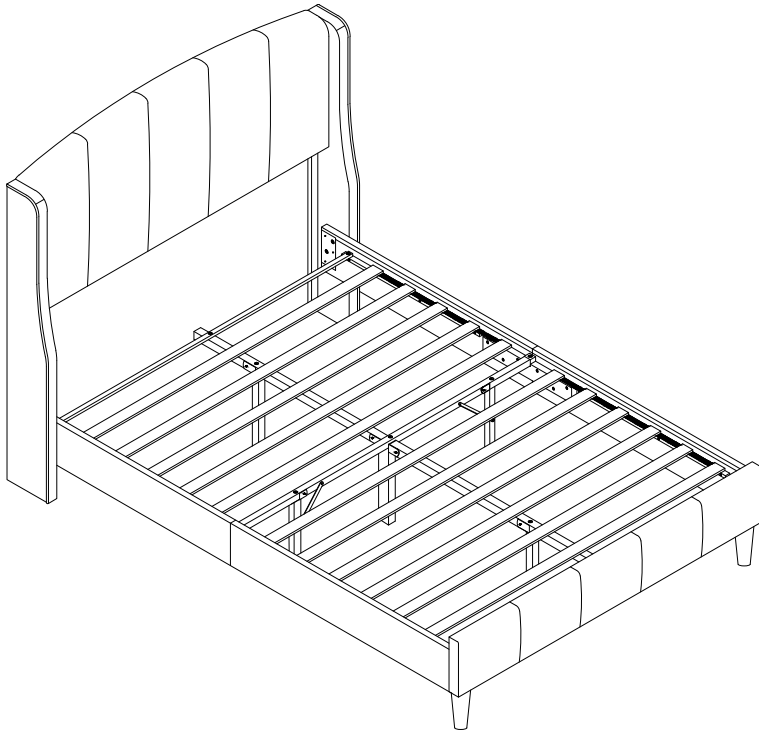


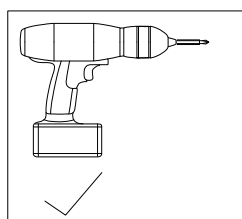
ASSEMBLY INSTRUCTION



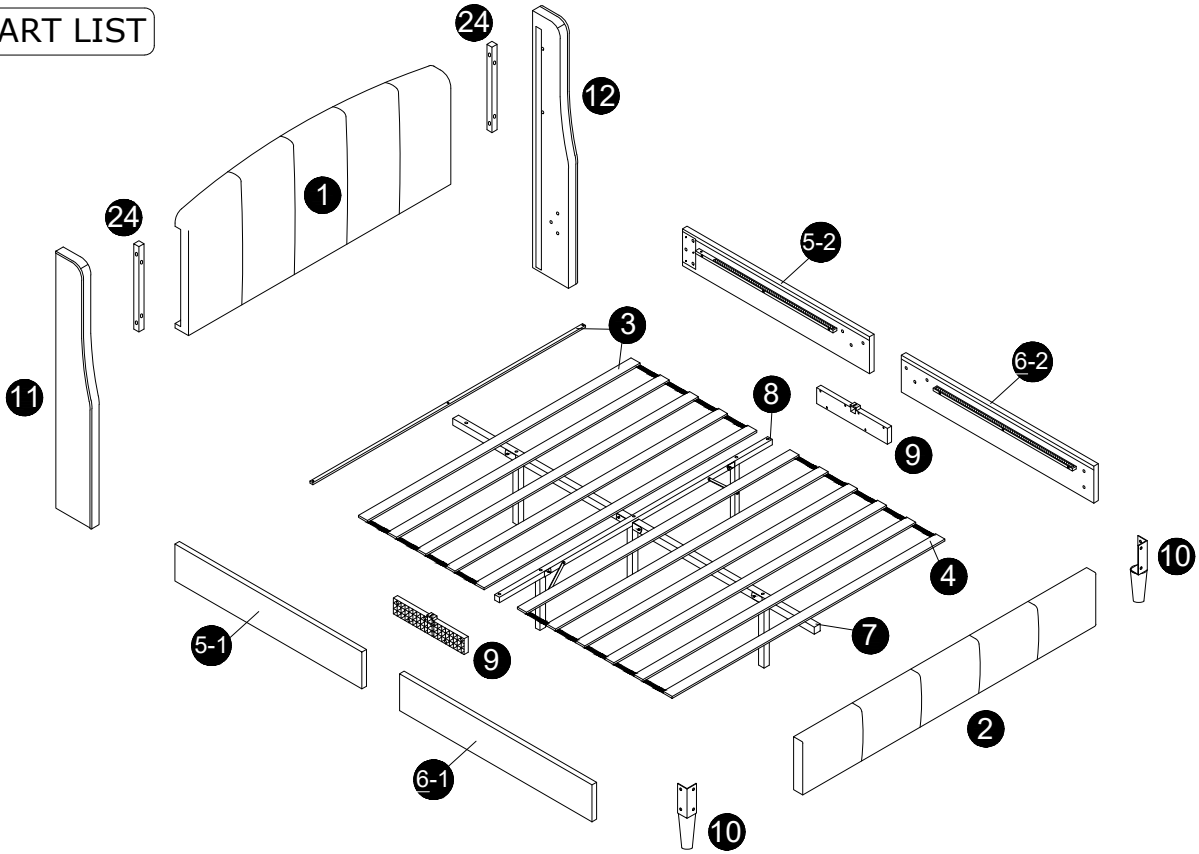
Please **TEAR OFF** this shrink film from side!
DO NOT USE CUTTER!

IMPORTANT NOTE

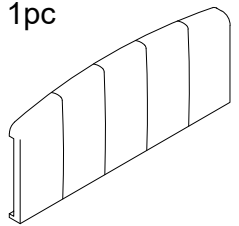
1. FOR THE PROTECTION OF YOUR FURNITURE, PLACE ALL PARTS ON A CLEAN AND SMOOTH SURFACE TO PREVENT ANY DAMAGE.
2. DO NOT USE POWER TOOLS TO ASSEMBLE THE BED.
3. PLEASE PERIODICALLY CHECK ALL FITTINGS AND RE-TIGHTEN AS NECESSARY.
4. DO NOT USE THE BED UNLESS ALL BOLTS AND SCREWS ARE FIRMLY SECURED.
5. NEED PARTS OR ASSISTANCE? EMAIL US
6. YOU CAN ASSEMBLE IT WITH OUR PACKAGING TOOLS OR WITH A.



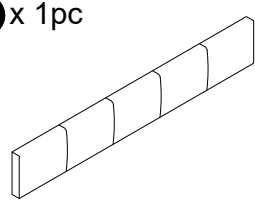
PART LIST



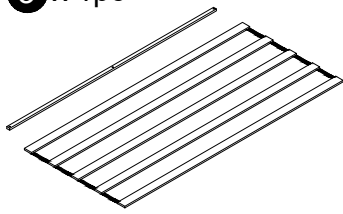
1 x 1pc



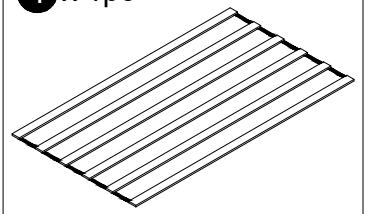
2 x 1pc



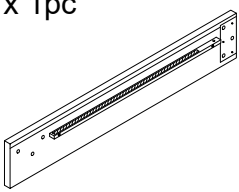
3 x 1pc



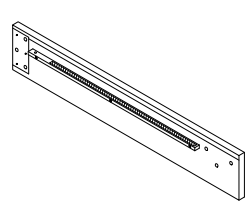
4 x 1pc



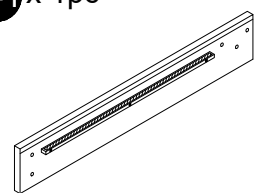
5-1 x 1pc



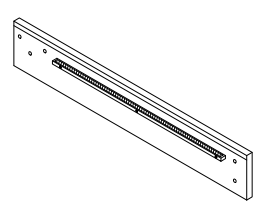
5-2 x 1pc



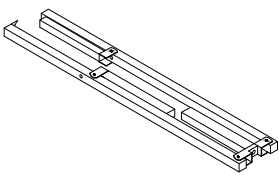
6-1 x 1pc



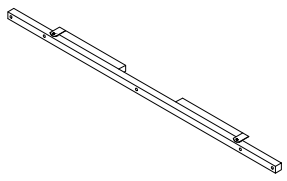
6-2 x 1pc



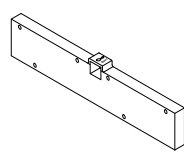
7 x 1pc



8 x 1pc



9 x 2pcs



10 x 2pcs



11 x 1pc



12 x 1pc



24 x 2pcs



HARDWARE LIST



H1 M5 x 1pc



H2 M8x20mm x 9pcs



H3 M8x50mm x 12pcs



H4 M8x40mm x 23pcs



H5 M8 x 30pcs



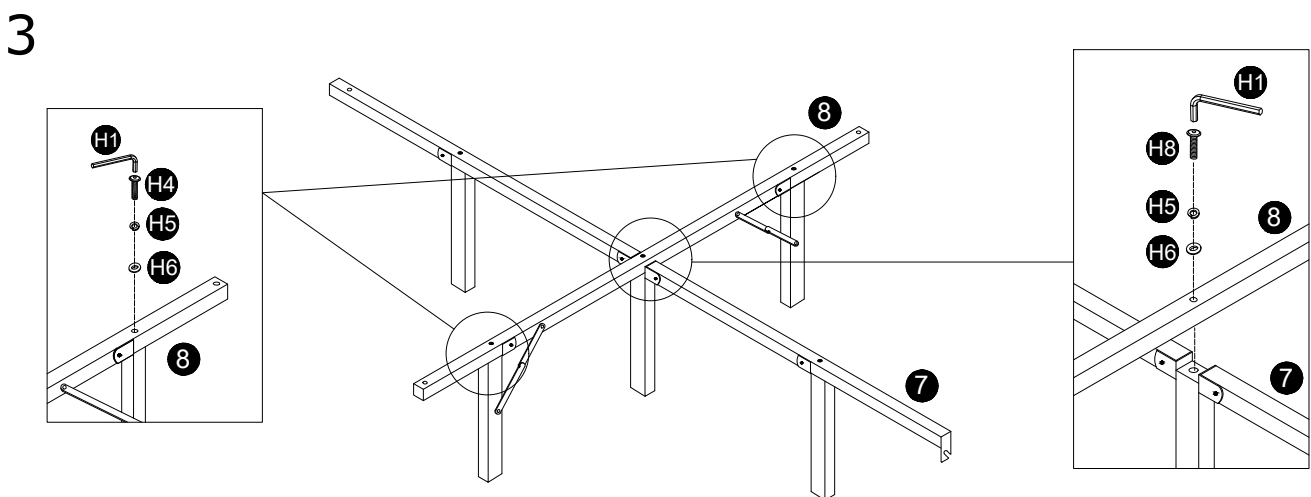
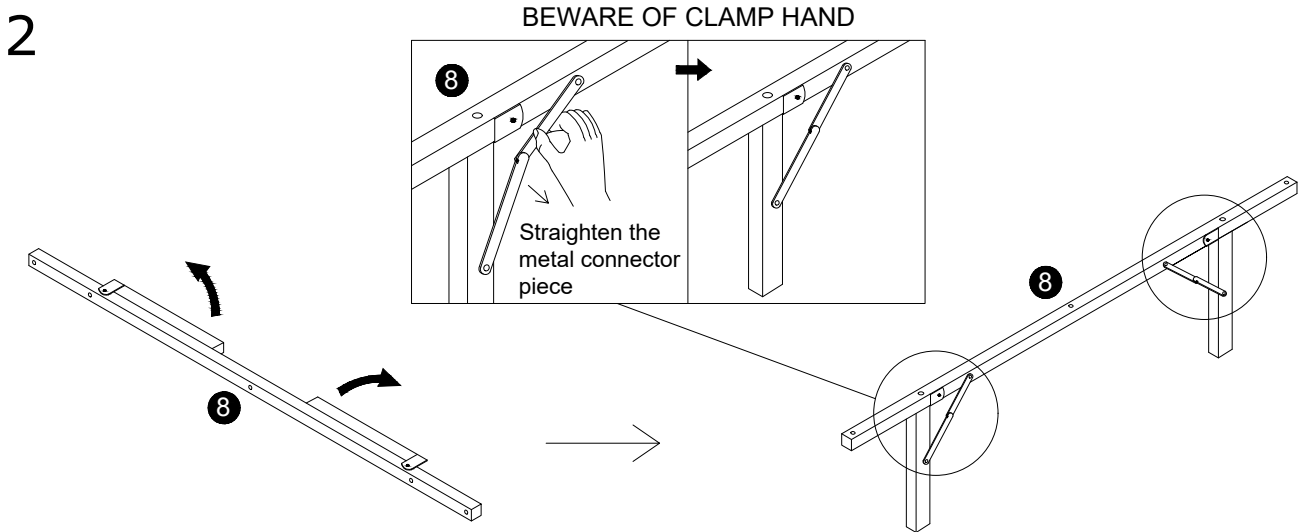
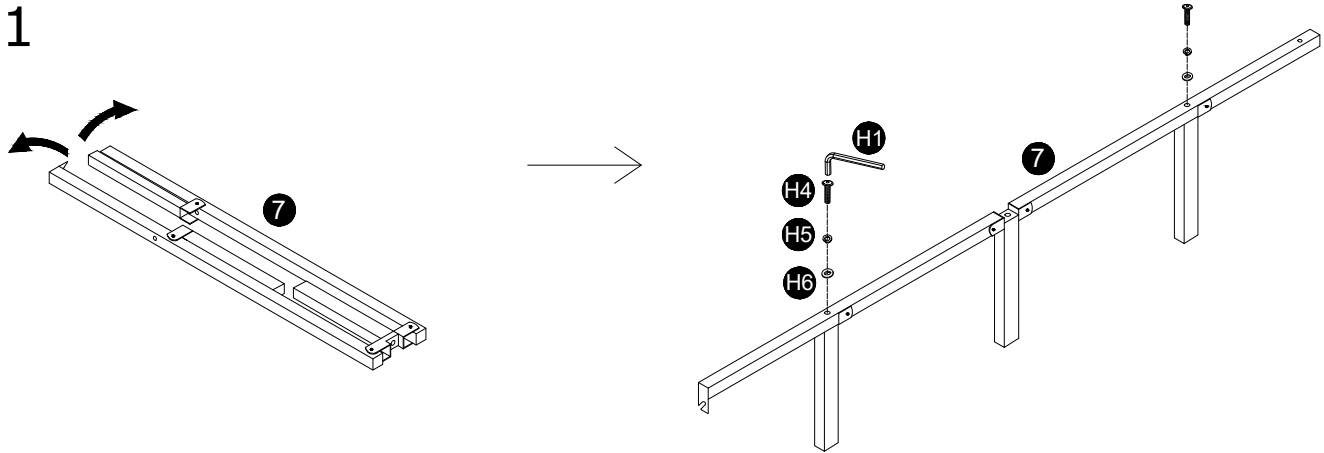
H6 M8x17mm x 39pcs



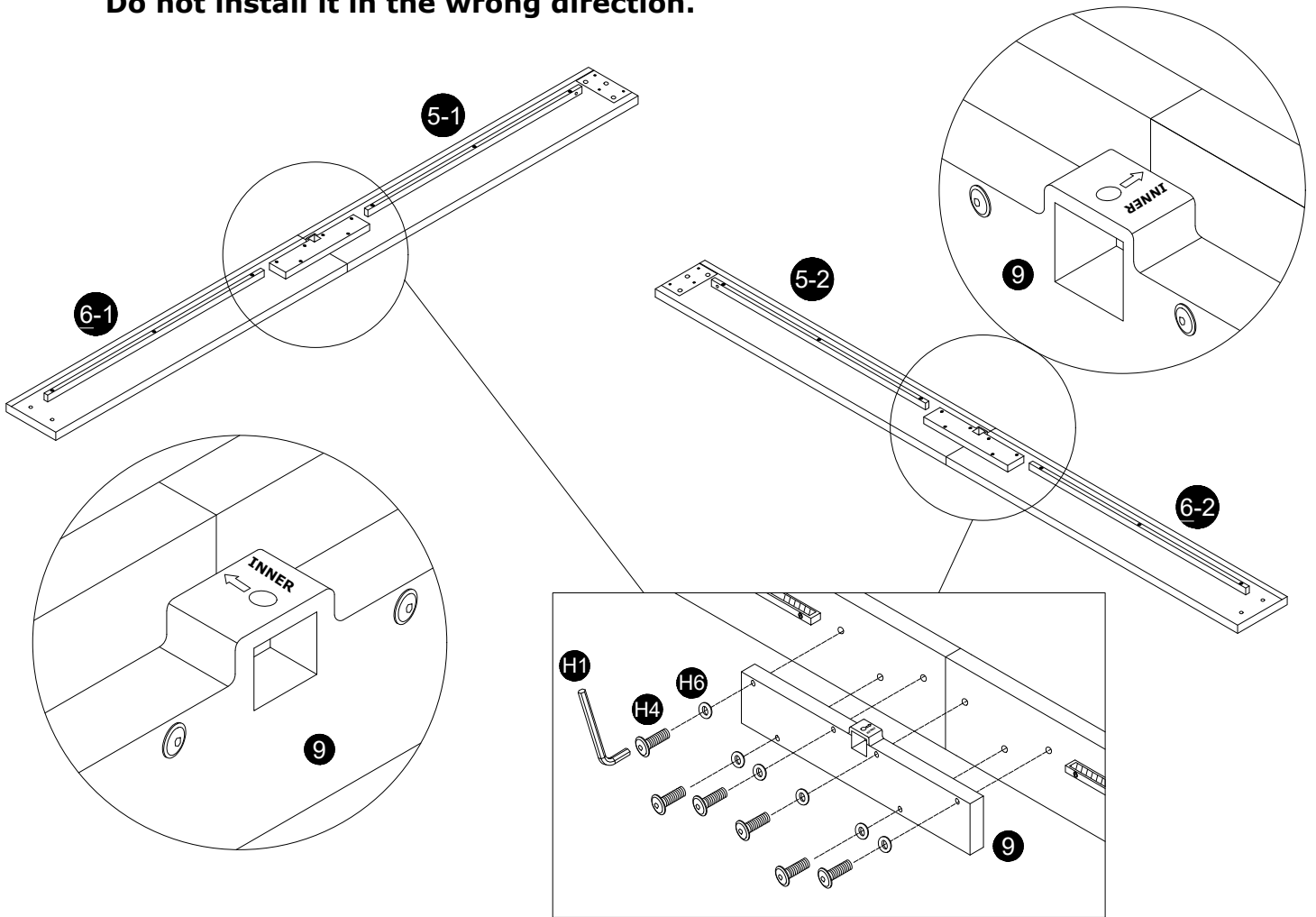
H7 M8x22mm x 6pcs



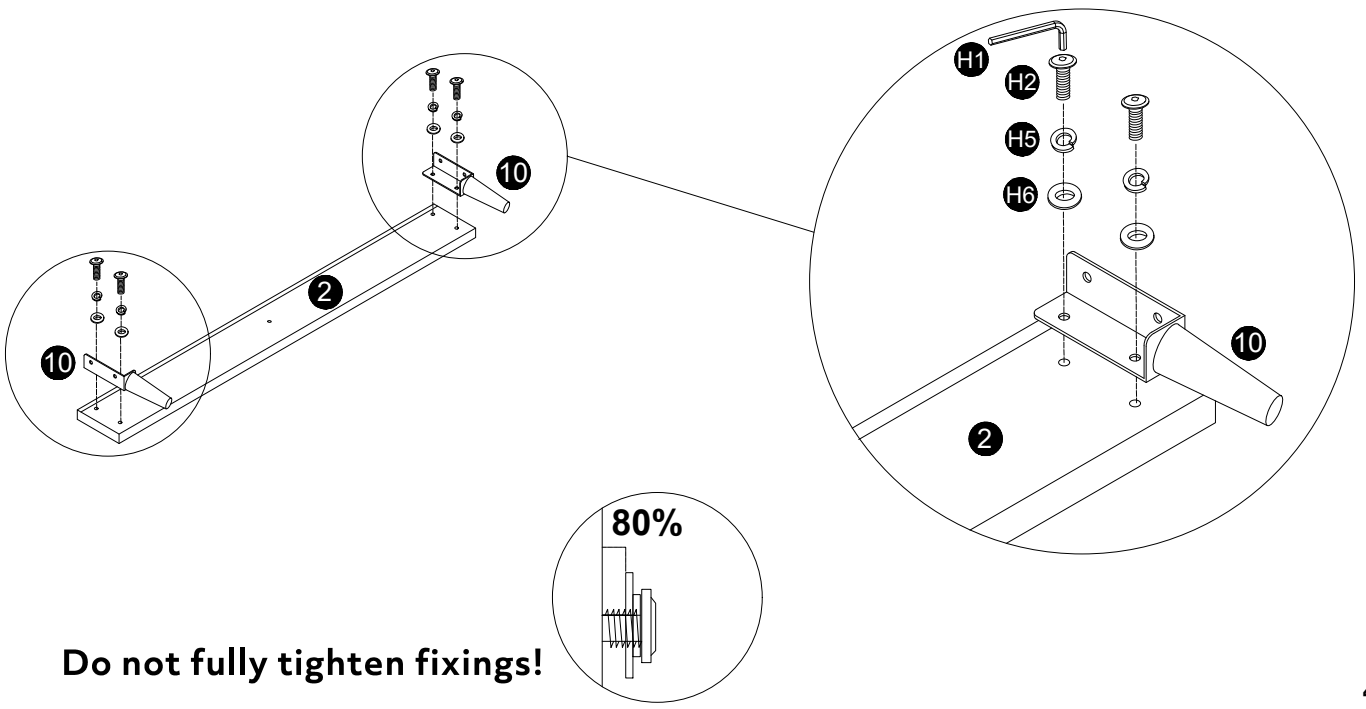
H8 M8x60mm x 1pc



4 Important: Please pay attention to the installation direction of part 9. The arrow on top of part 9 should point towards the side rail. Do not install it in the wrong direction.

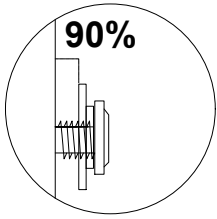
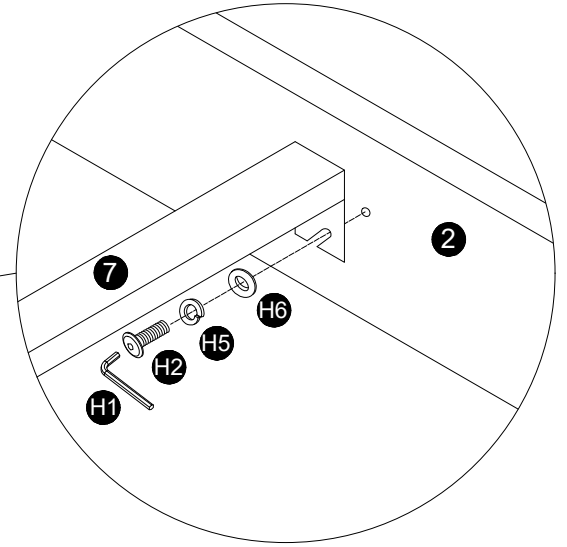
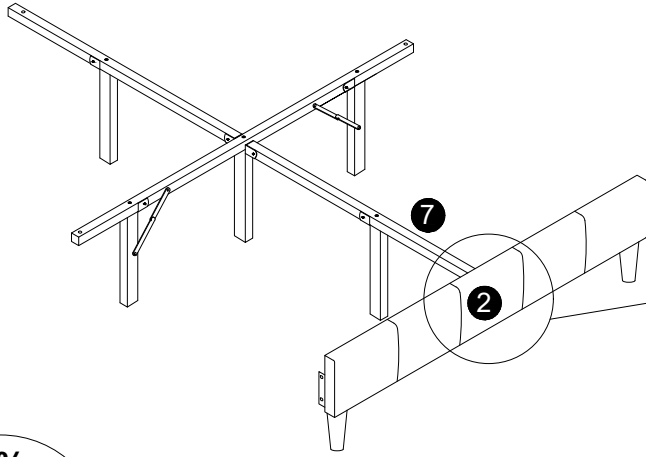


5



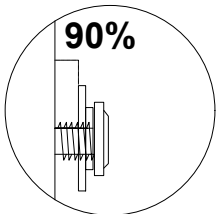
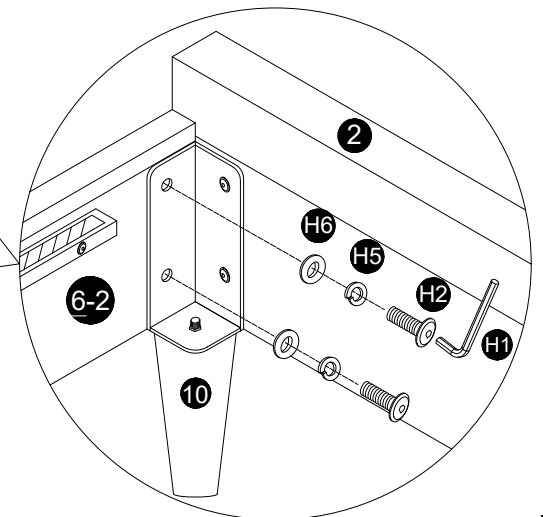
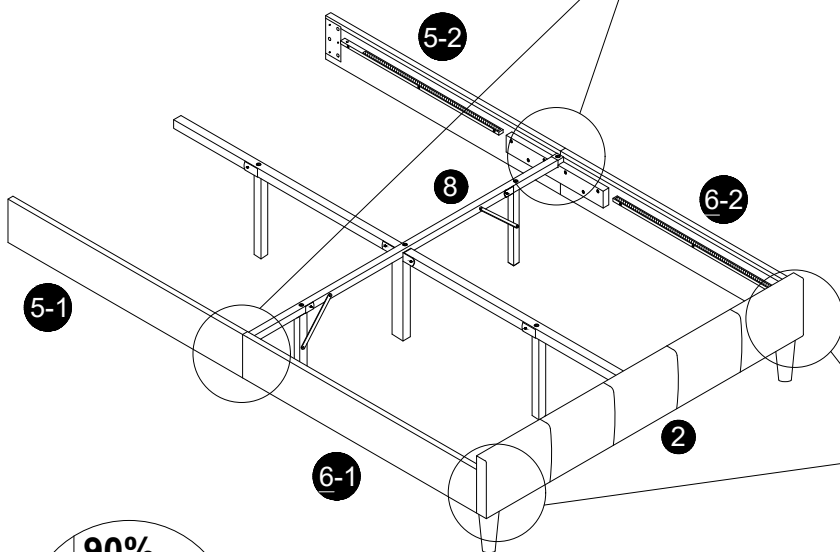
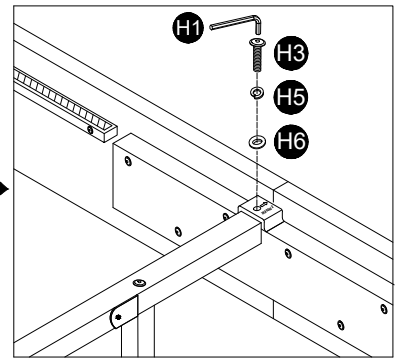
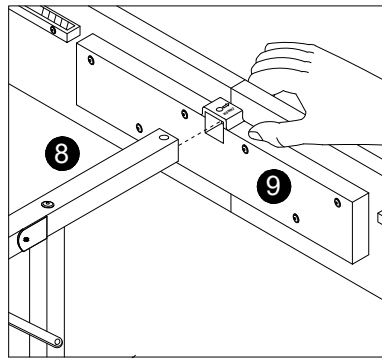
Do not fully tighten fixings!

6



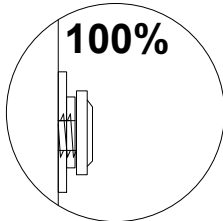
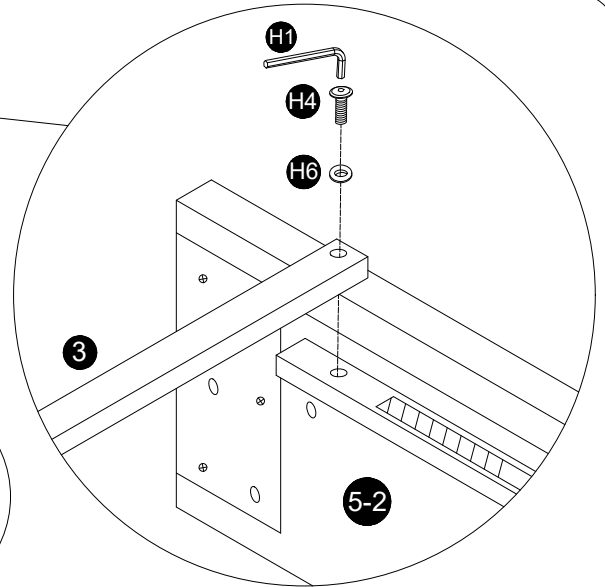
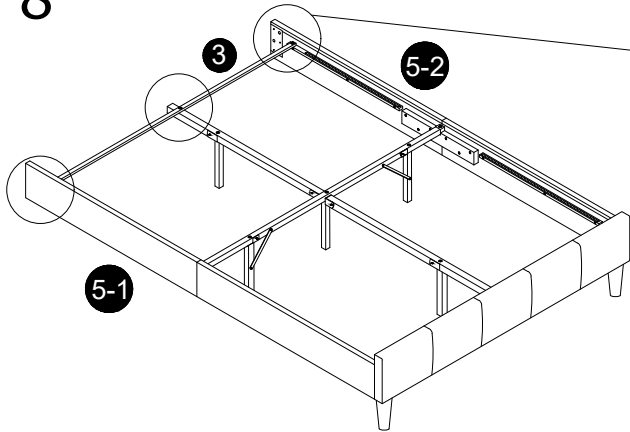
Do not fully tighten fixings!

7



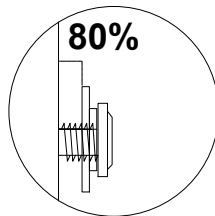
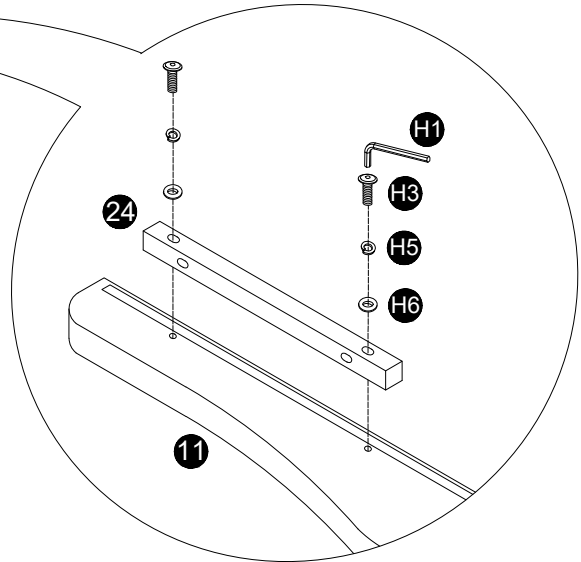
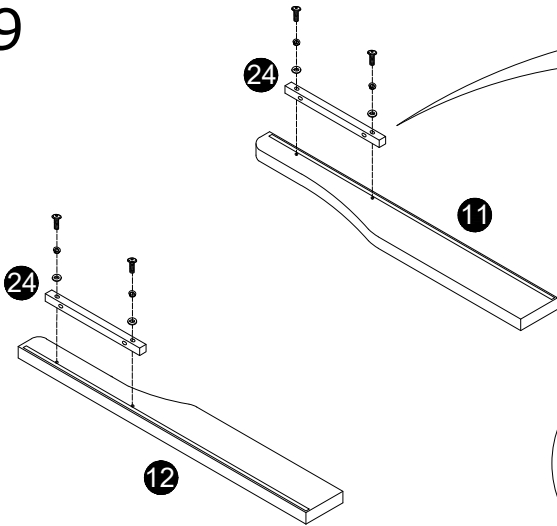
Do not fully tighten fixings!

8

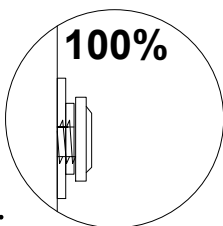
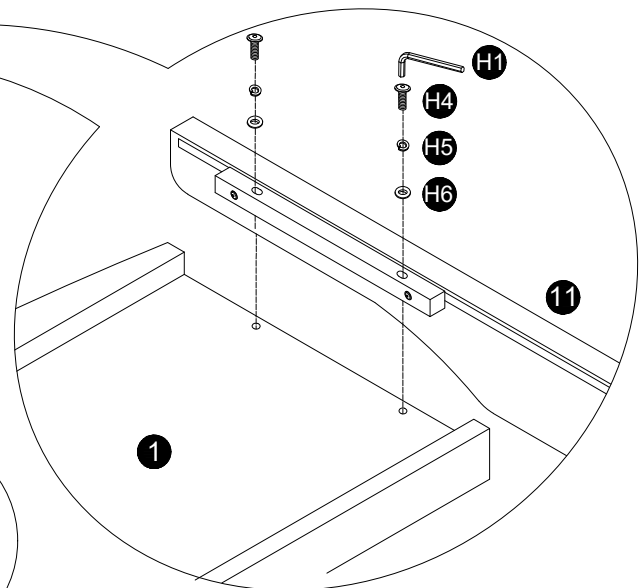
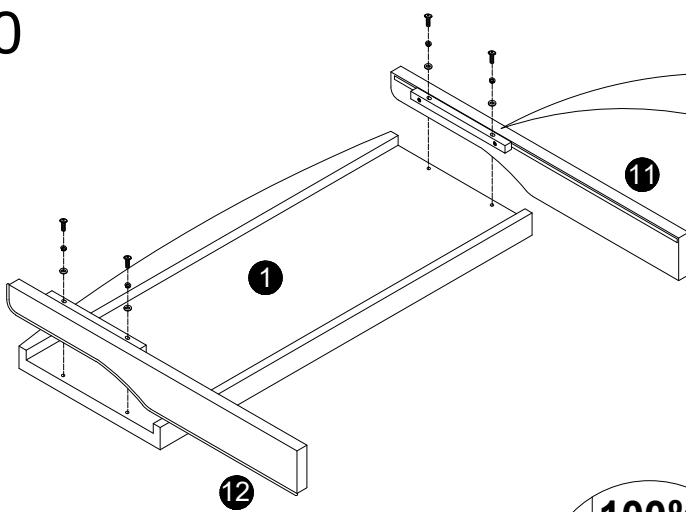


tighten ALL the screws from Step 5 to Step 7 to ensure the bed frame is stable.

9

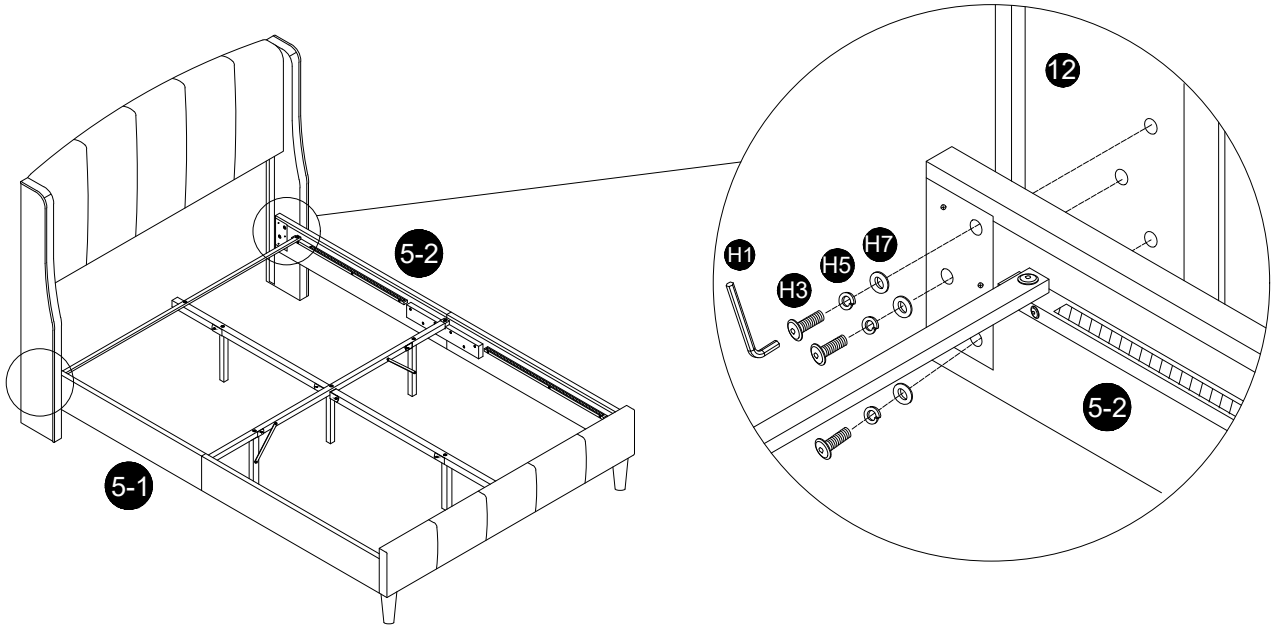


10

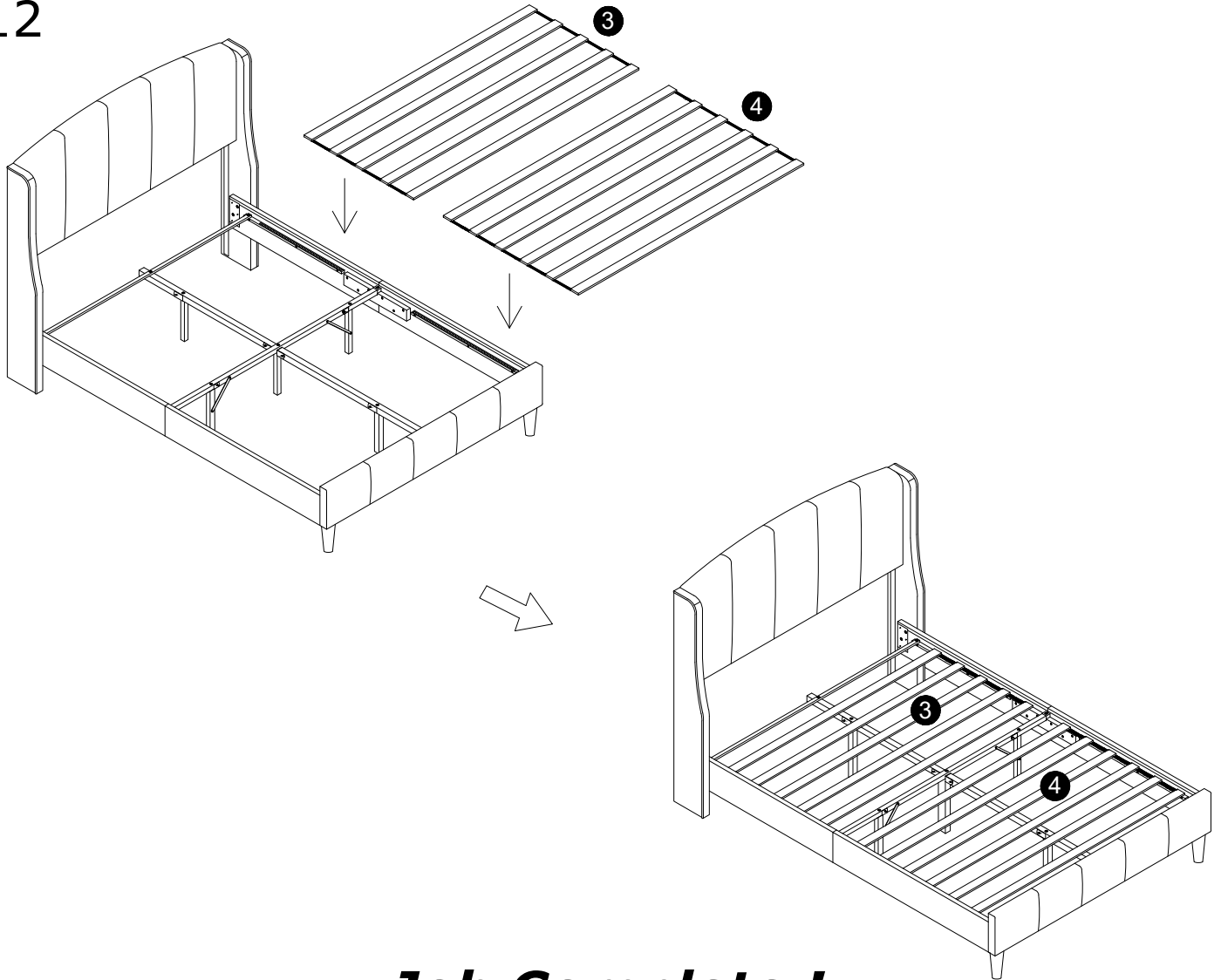


Fully tighten all fixings. Tighten ALL the screws from Step 9.

11



12



Job Complete !

In the interest of our environment please dispose of all packaging thoughtfully.