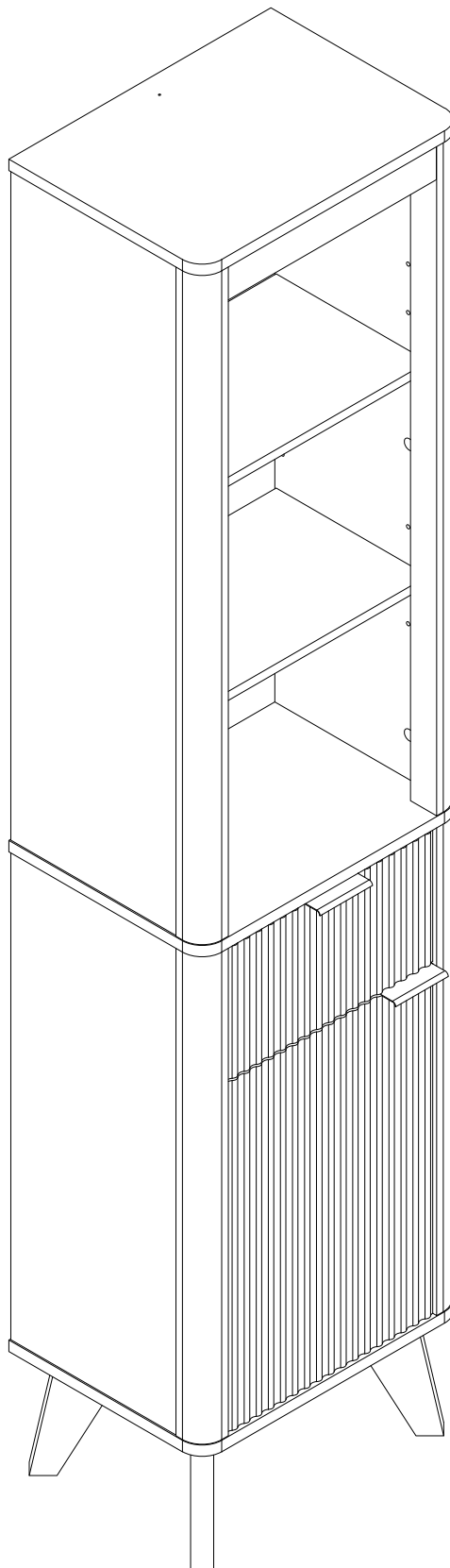
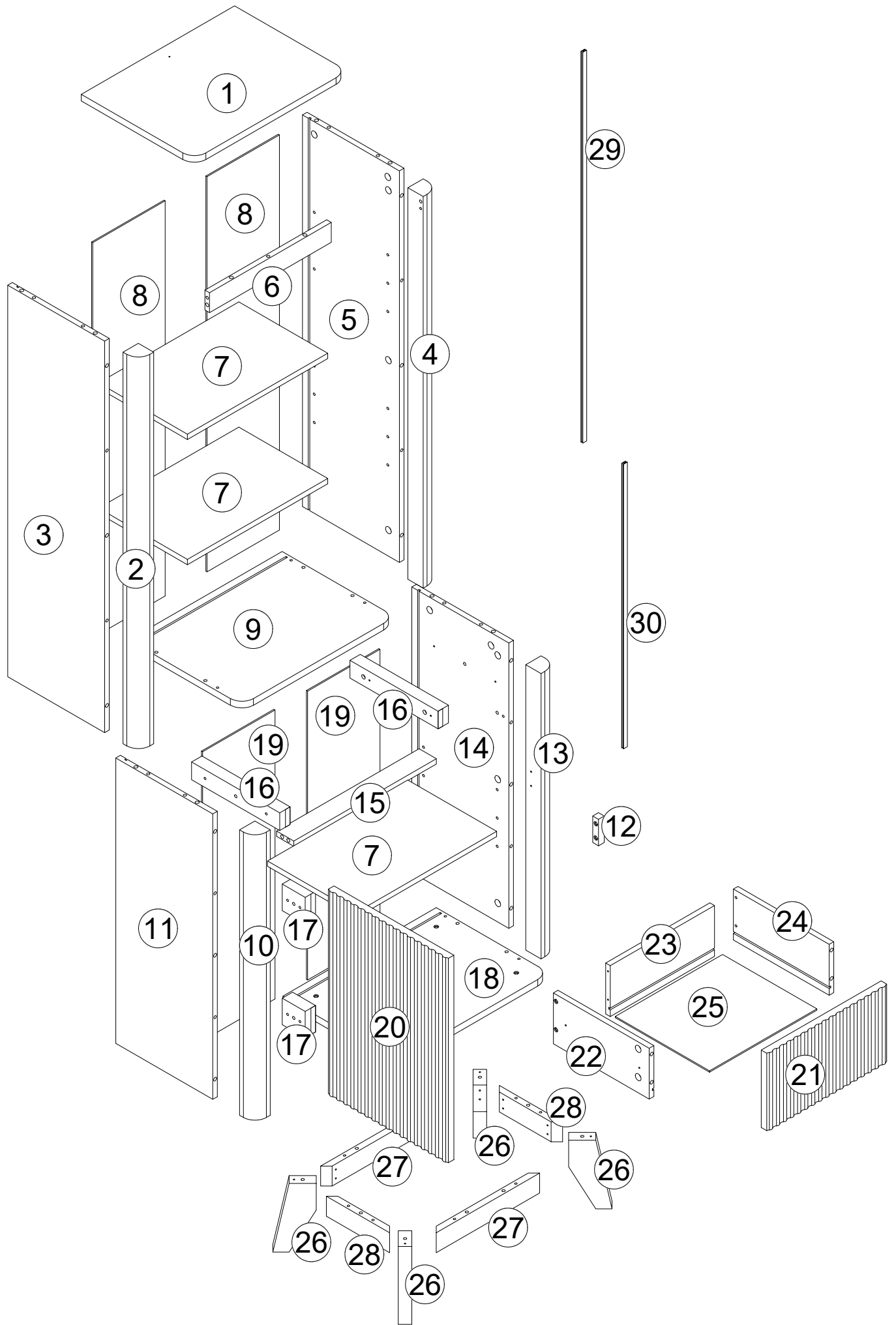


ASSEMBLY INSTRUCTION



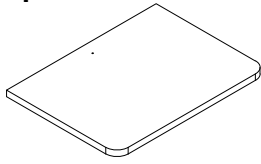
IMPORTANT NOTE:

1. Place all parts on a clean and smooth surface such as a rug or carpet to avoid the parts from being scratched.
2. Before you begin, kindly follow the assembly instruction step by step.
3. Do not tighten all screws and bolts until the bench is fully set-up.
4. Please do not return to store, contact the seller if you have any troubles with this product.

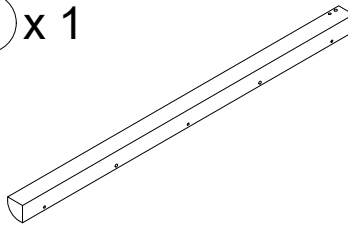


Part List

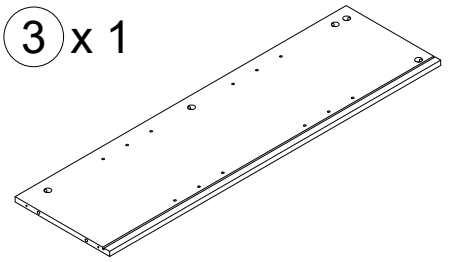
① x 1



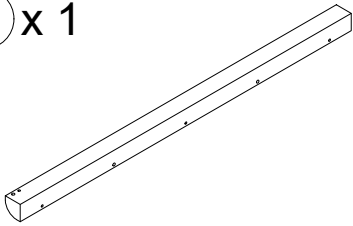
② x 1



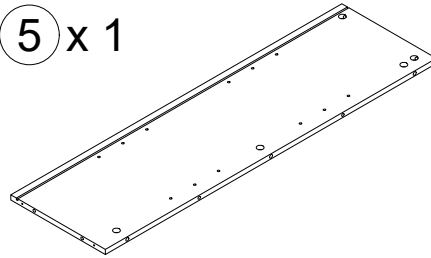
③ x 1



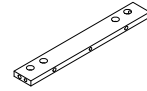
④ x 1



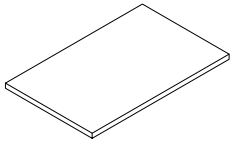
⑤ x 1



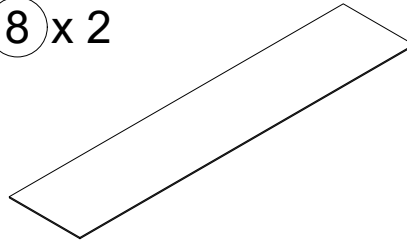
⑥ x 1



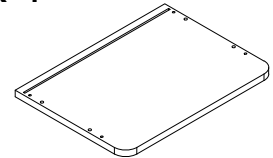
⑦ x 3



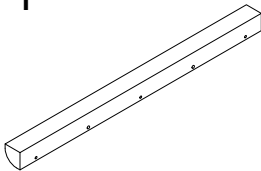
⑧ x 2



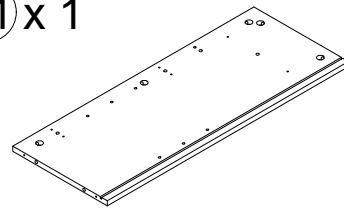
⑨ x 1



⑩ x 1



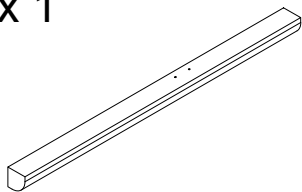
⑪ x 1



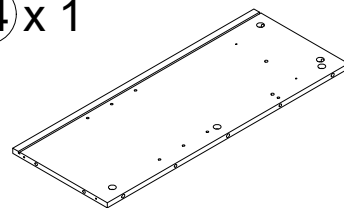
⑫ x 1



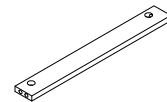
⑬ x 1



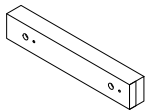
⑭ x 1



⑮ x 1



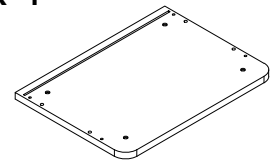
⑯ x 2



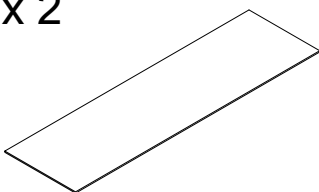
⑰ x 2



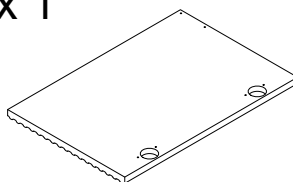
⑱ x 1



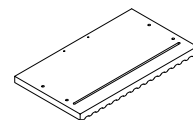
⑲ x 2



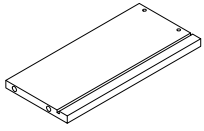
⑳ x 1



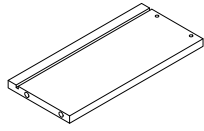
㉑ x 1



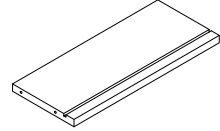
22 x 1



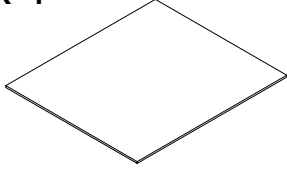
23 x 1



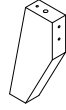
24 x 1



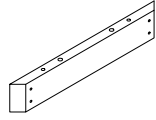
25 x 1



26 x 4



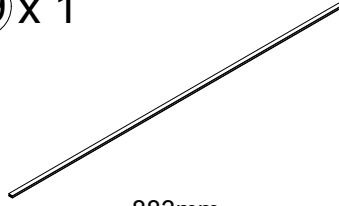
27 x 2



28 x 2

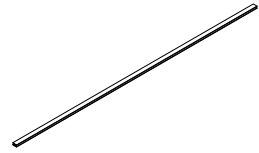


29 x 1



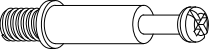



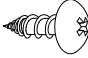


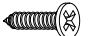
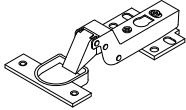
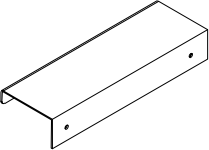


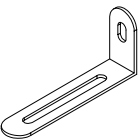
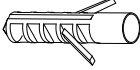
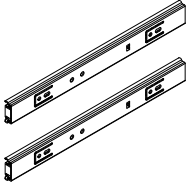
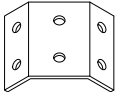

883mm

30 x 1



643mm

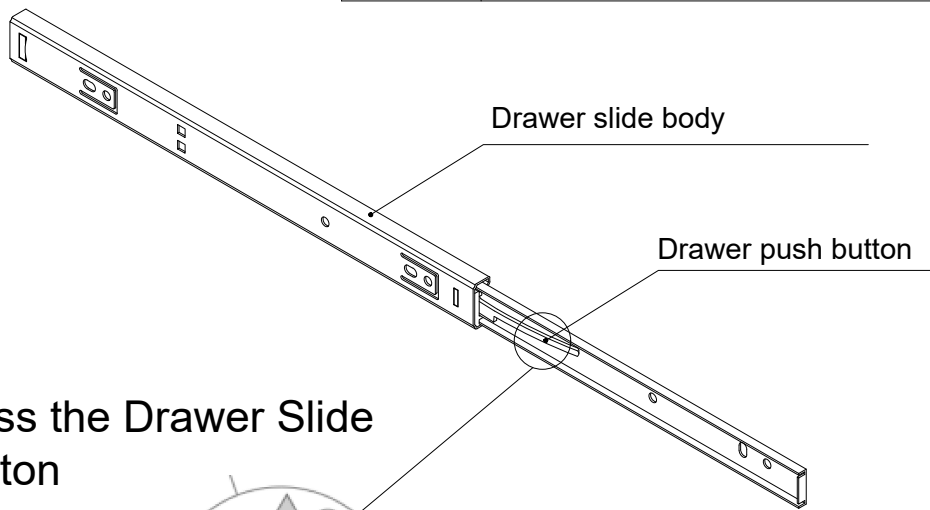
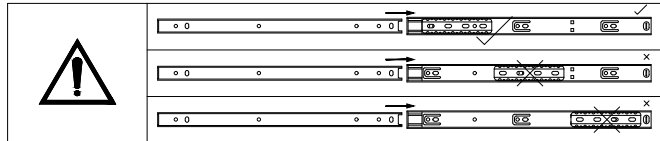
Hardware List

<p>(A)</p>  <p>M6*35</p>	<p>(B)</p>  <p>Ø15*10</p>	<p>(C)</p>  <p>Ø6*30</p>
<p>30+1 PCS</p>	<p>30+1 PCS</p>	<p>43+1 PCS</p>
<p>(D)</p>  <p>M3.5*12</p>	<p>(E)</p>  <p>M4*14</p>	<p>(F)</p>  <p>M4*40</p>
<p>24+1 PCS</p>	<p>17+1 PCS</p>	<p>35+1 PCS</p>
<p>(G)</p>  <p>M4*30</p>	<p>(H)</p>  <p>M3*14</p>	<p>(I)</p> 
<p>8 PCS</p>	<p>26+1 PCS</p>	<p>2 PCS</p>
<p>(J)</p> 	<p>(K)</p> 	<p>(L)</p> 
<p>2 PCS</p>	<p>12 PCS</p>	<p>26 PCS</p>
<p>(M)</p> 	<p>(N)</p>  <p>Ø6*30</p>	<p>(O)</p> 
<p>1 PC</p>	<p>1 PC</p>	<p>1 PC</p>
<p>(P)</p> 	<p>(Q)</p> 	
<p>4 PCS</p>	<p>1 PC</p>	

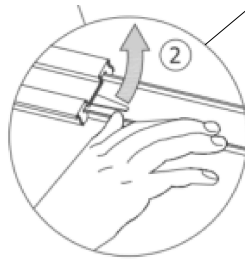
**Slides Must Be Separated Before Assembly.
After Separated, Set Aside Until Needed for Assembly.**

**Pay attention when connecting !
The sliding module must be at the front end.**

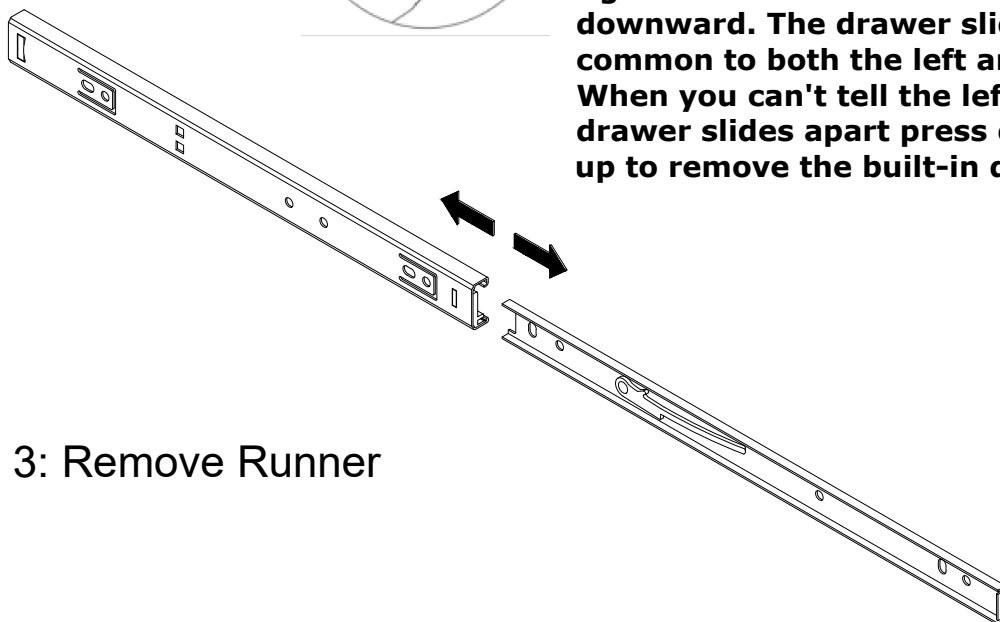
STEP 1 : Extend Slide



STEP 2: Press the Drawer Slide Removal Button

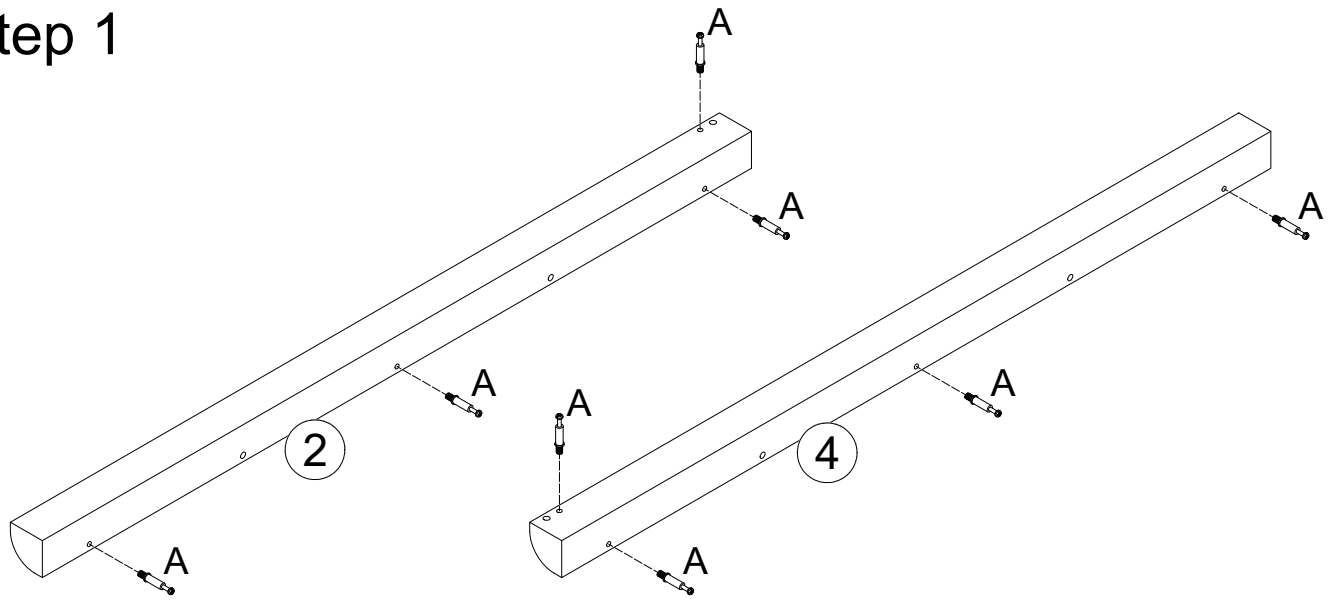


The slides of the left drawer are removed by pressing upward, and the slides of the right drawer are removed by pressing downward. The drawer slides are common to both the left and right sides. When you can't tell the left and right drawer slides apart press down or press up to remove the built-in drawer slides.

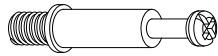


STEP 3: Remove Runner

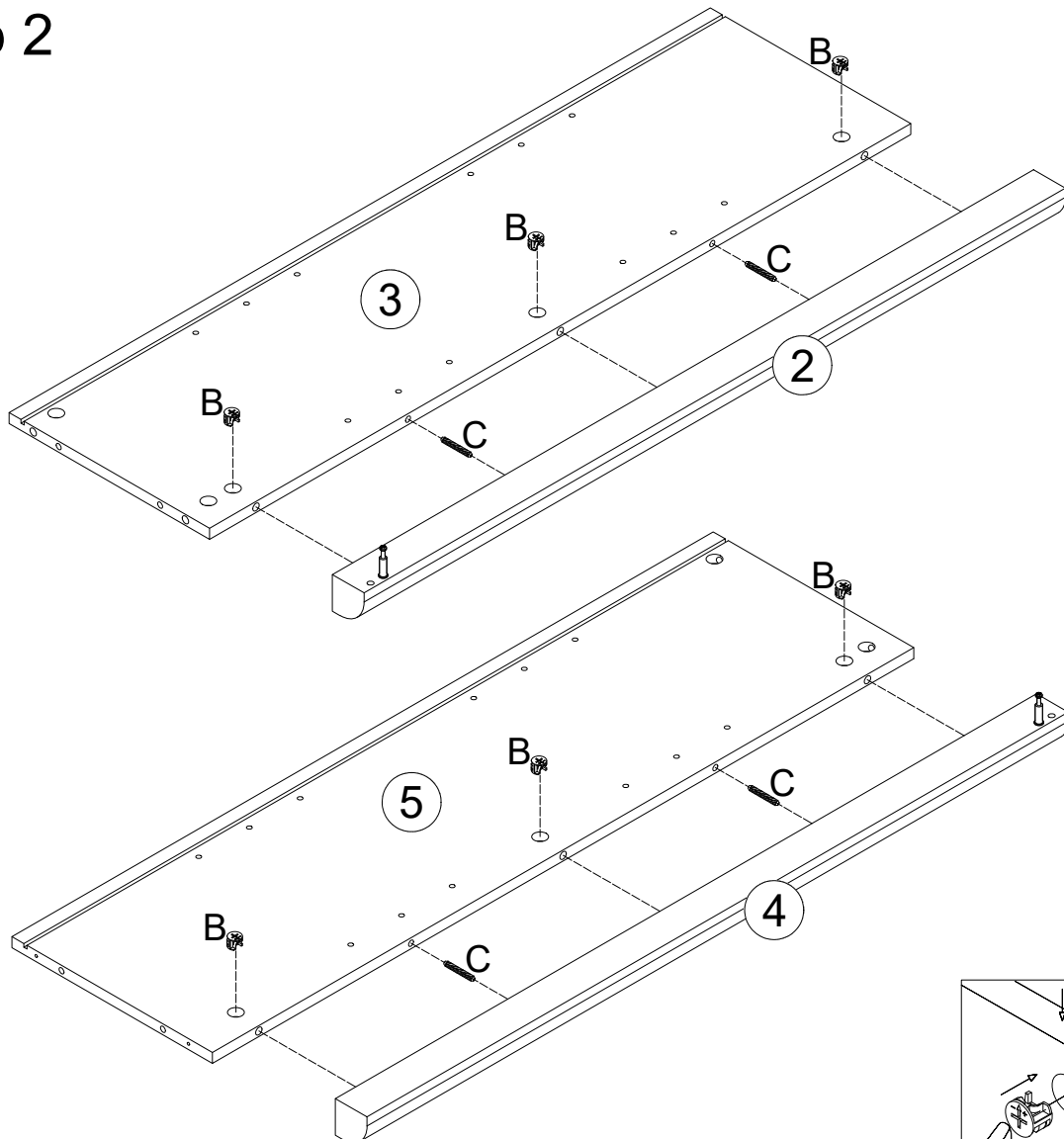
Step 1



A x 8 PCS



Step 2



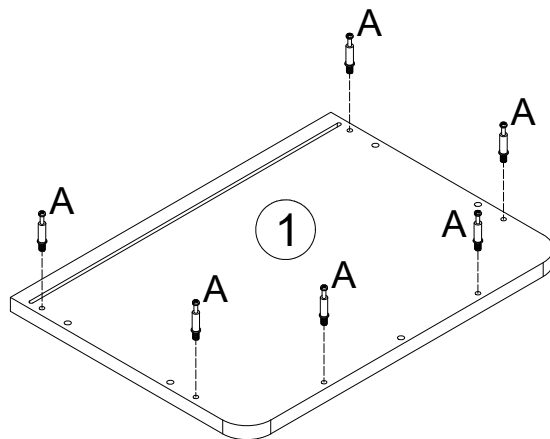
B x 6 PCS



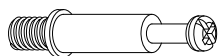
C x 4 PCS



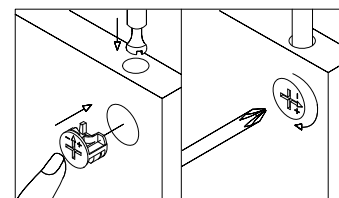
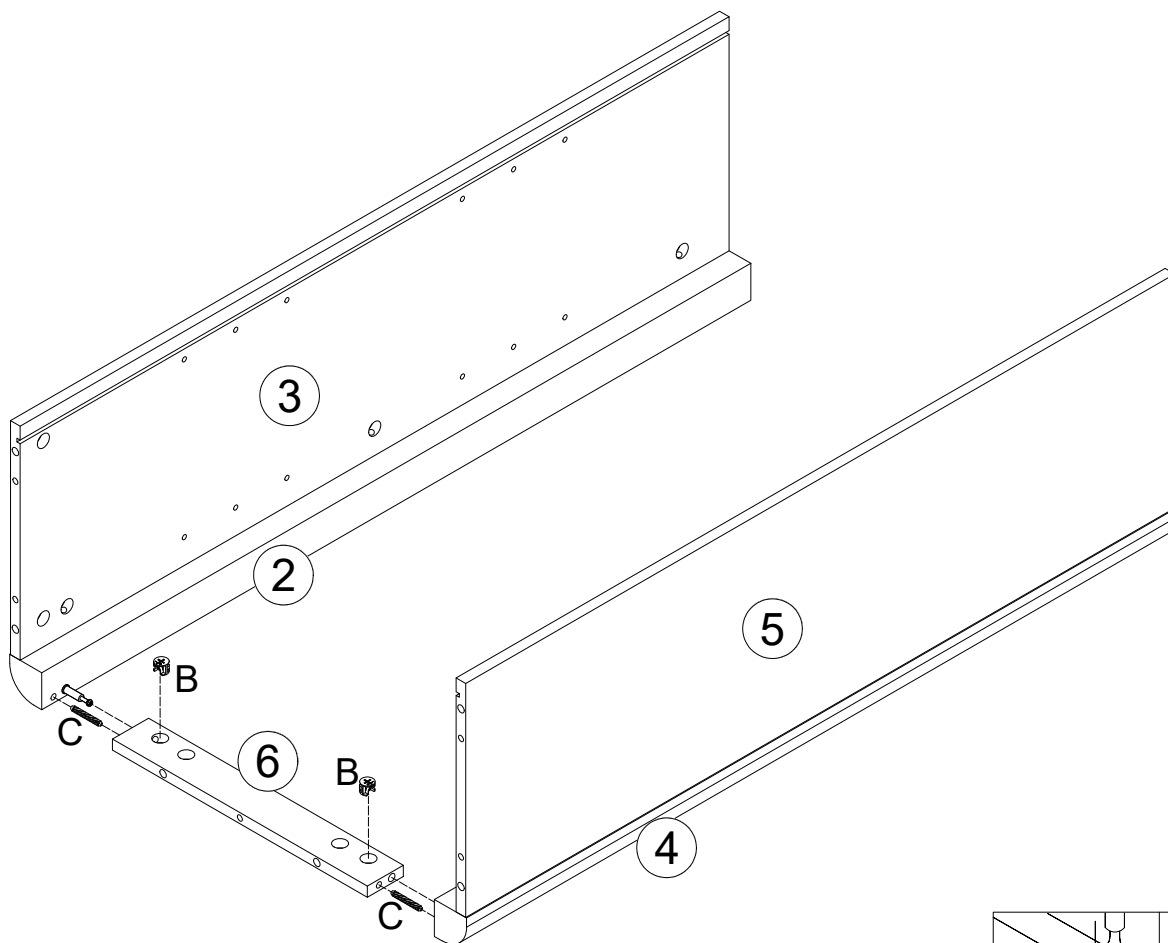
Step 3



A x 6 PCS



Step 4



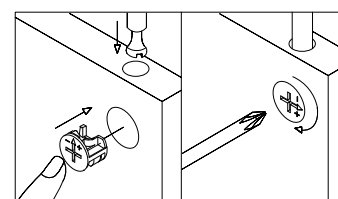
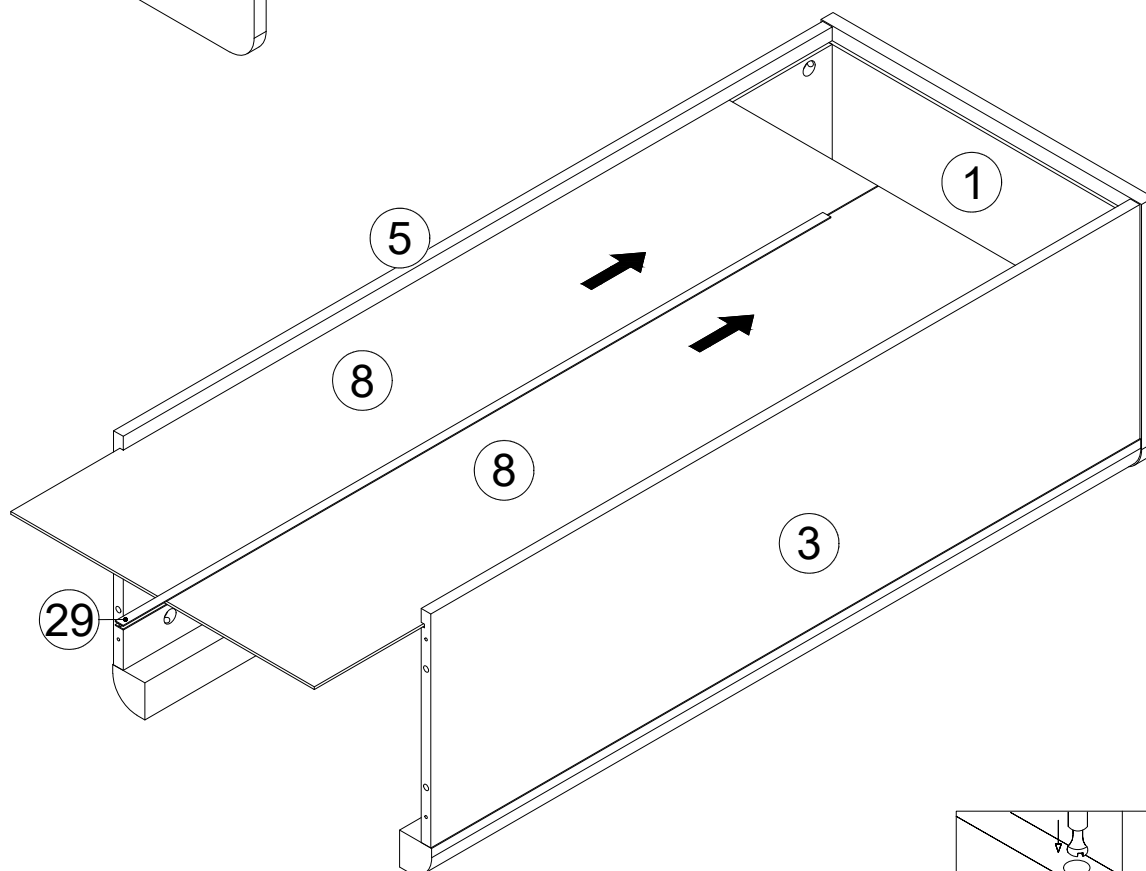
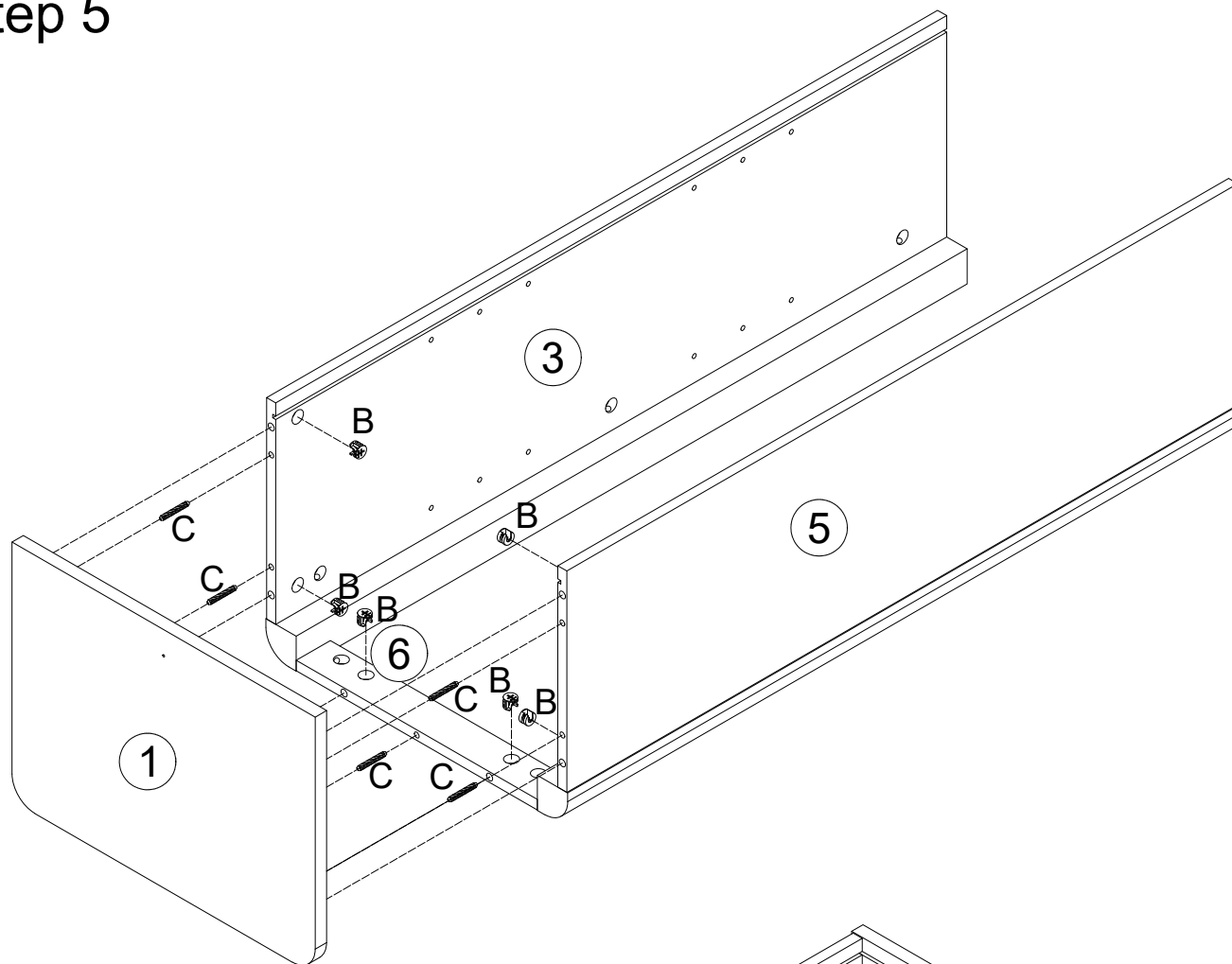
B x 2 PCS



C x 2 PCS



Step 5



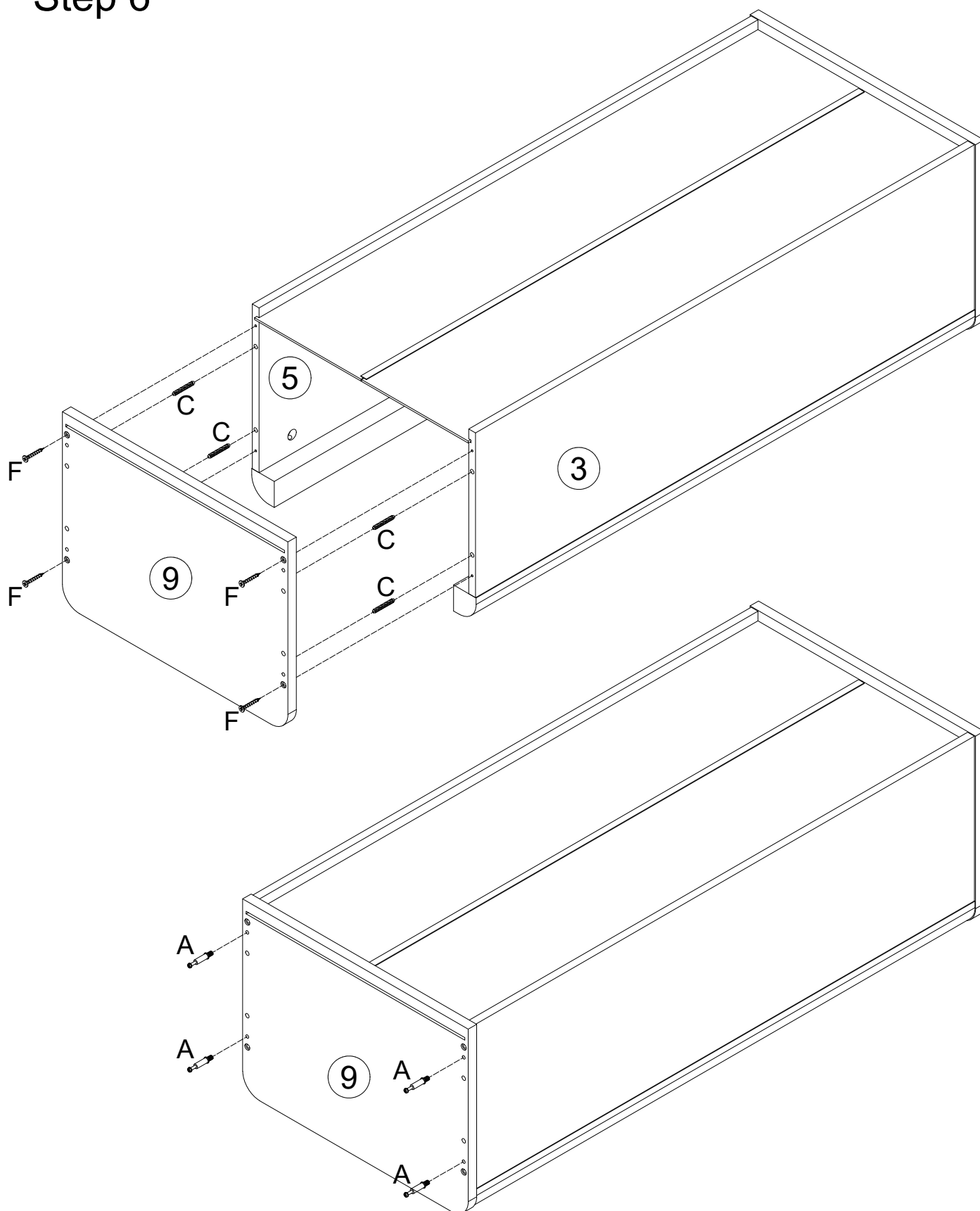
B x 6 PCS



C x 5 PCS



Step 6



A x 4 PCS



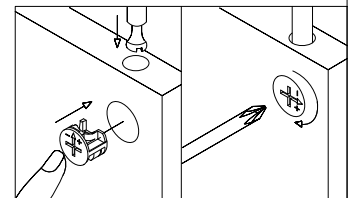
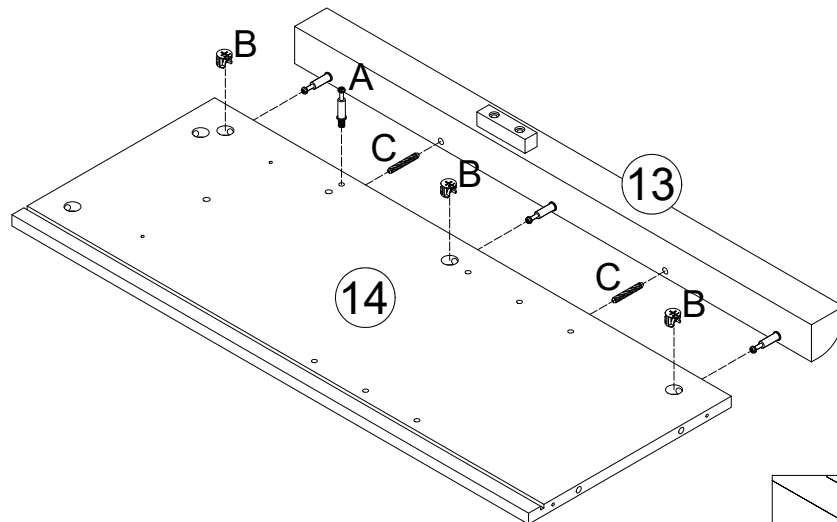
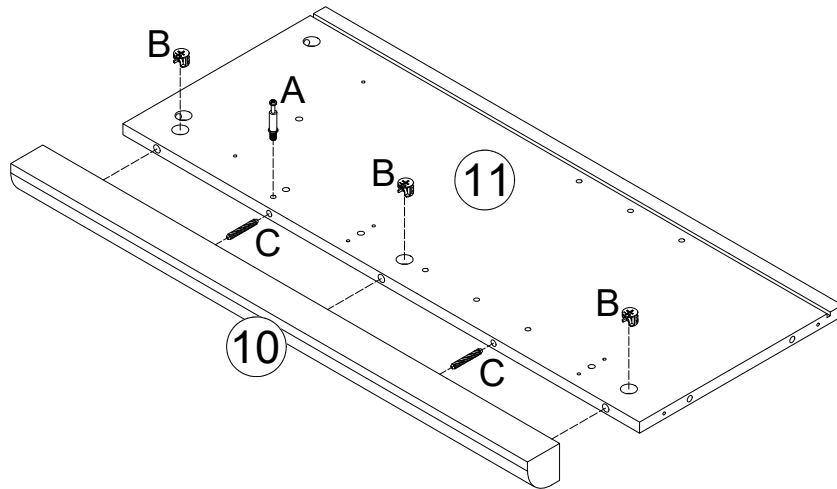
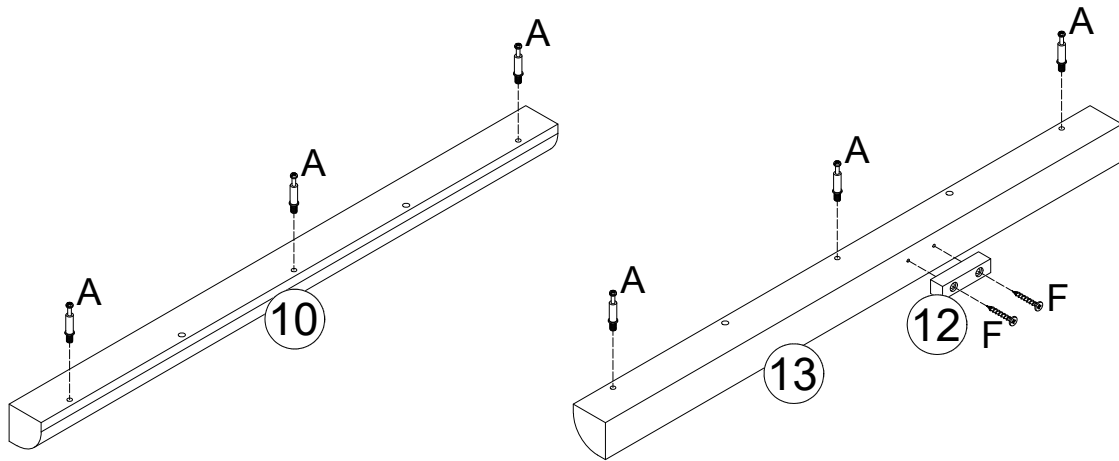
C x 4 PCS



F x 4 PCS



Step 7



A x 8 PCS



B x 6 PCS



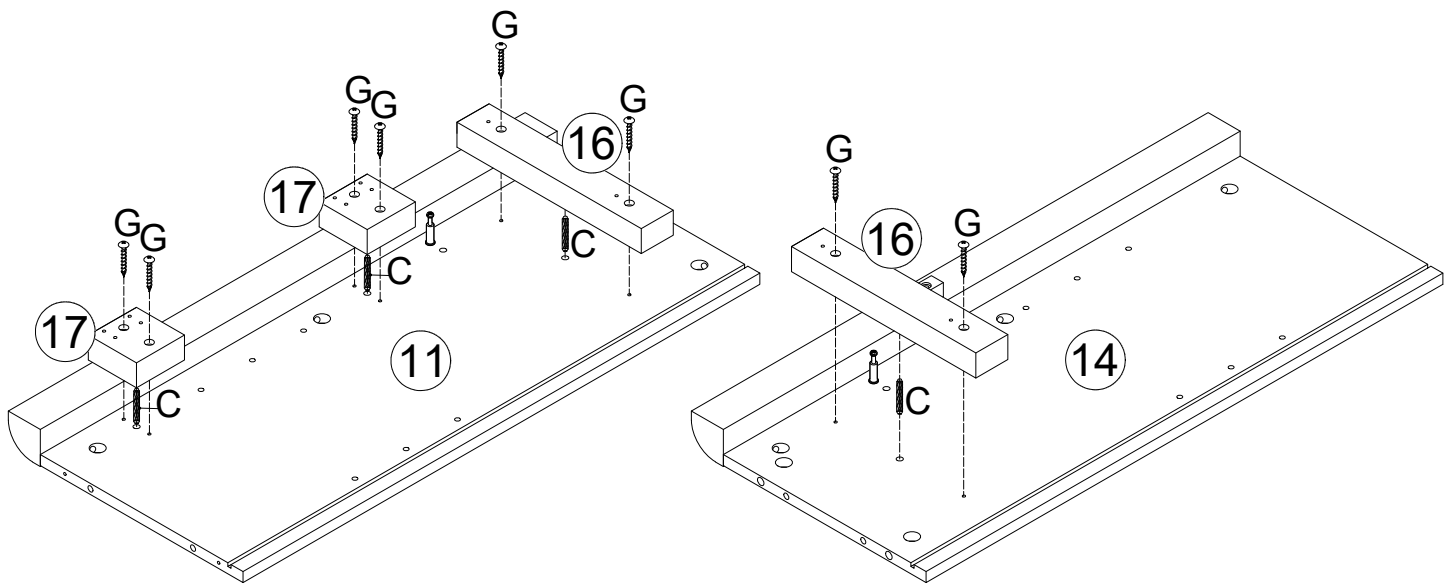
C x 4 PCS



F x 2 PCS



Step 8



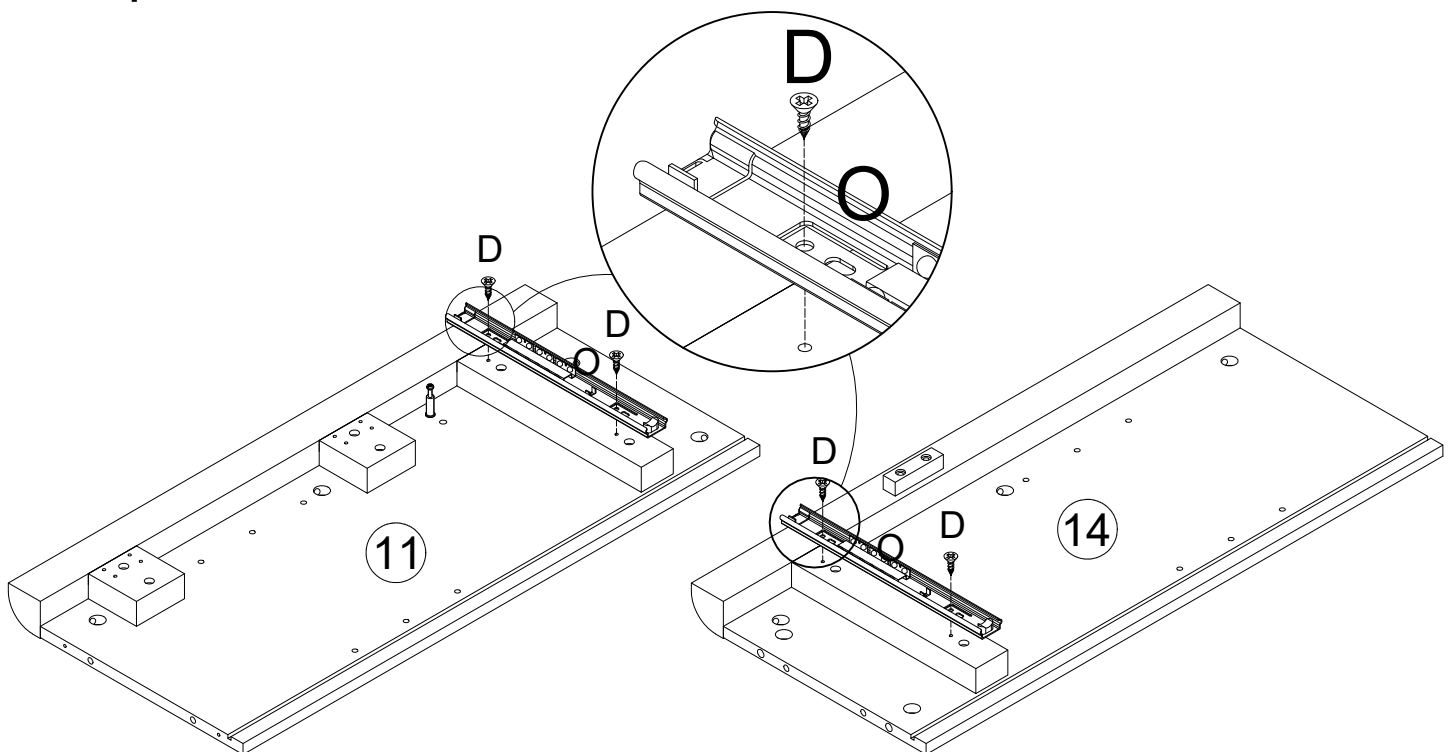
C x 4 PCS



G x 8 PCS



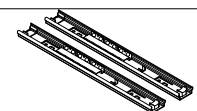
Step 9



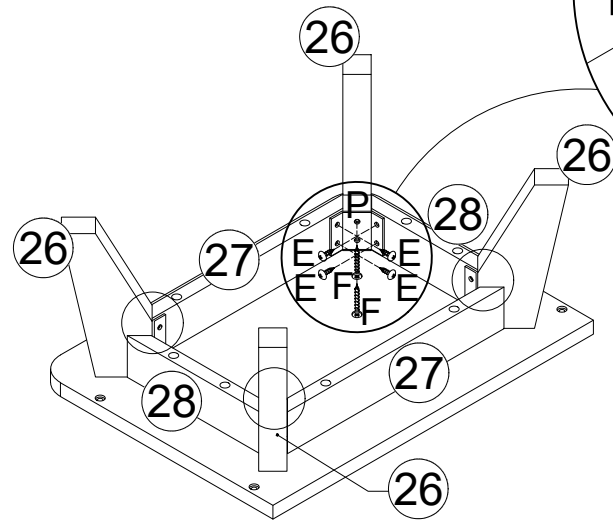
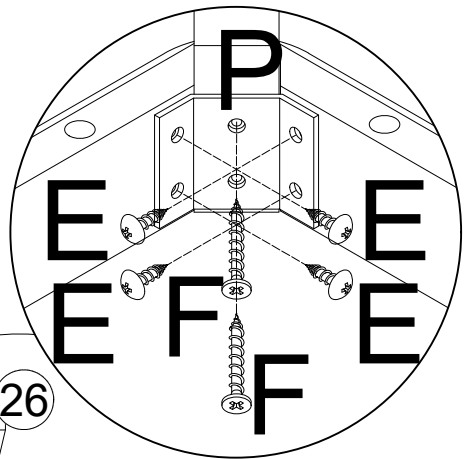
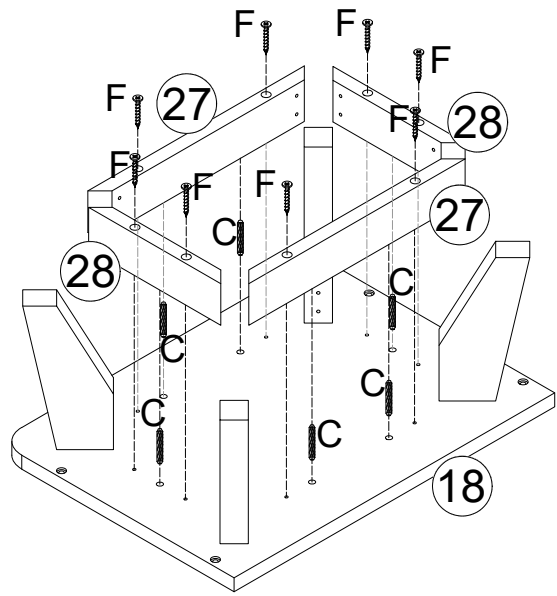
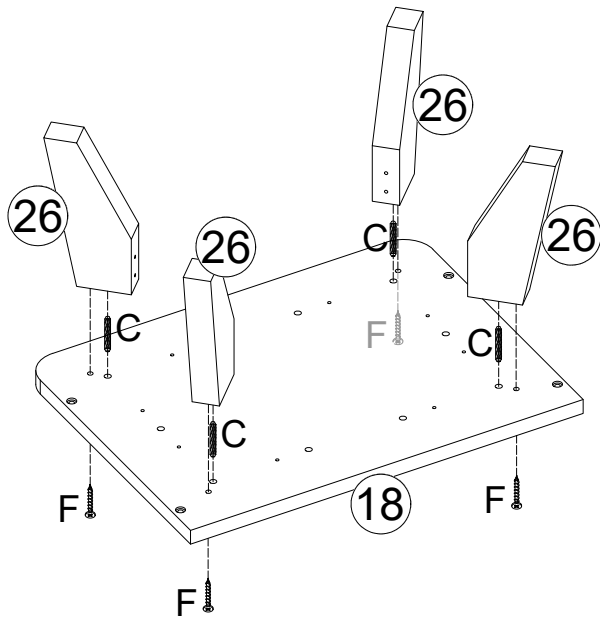
D x 4 PCS


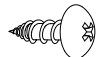

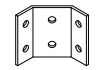


O x 1 PC

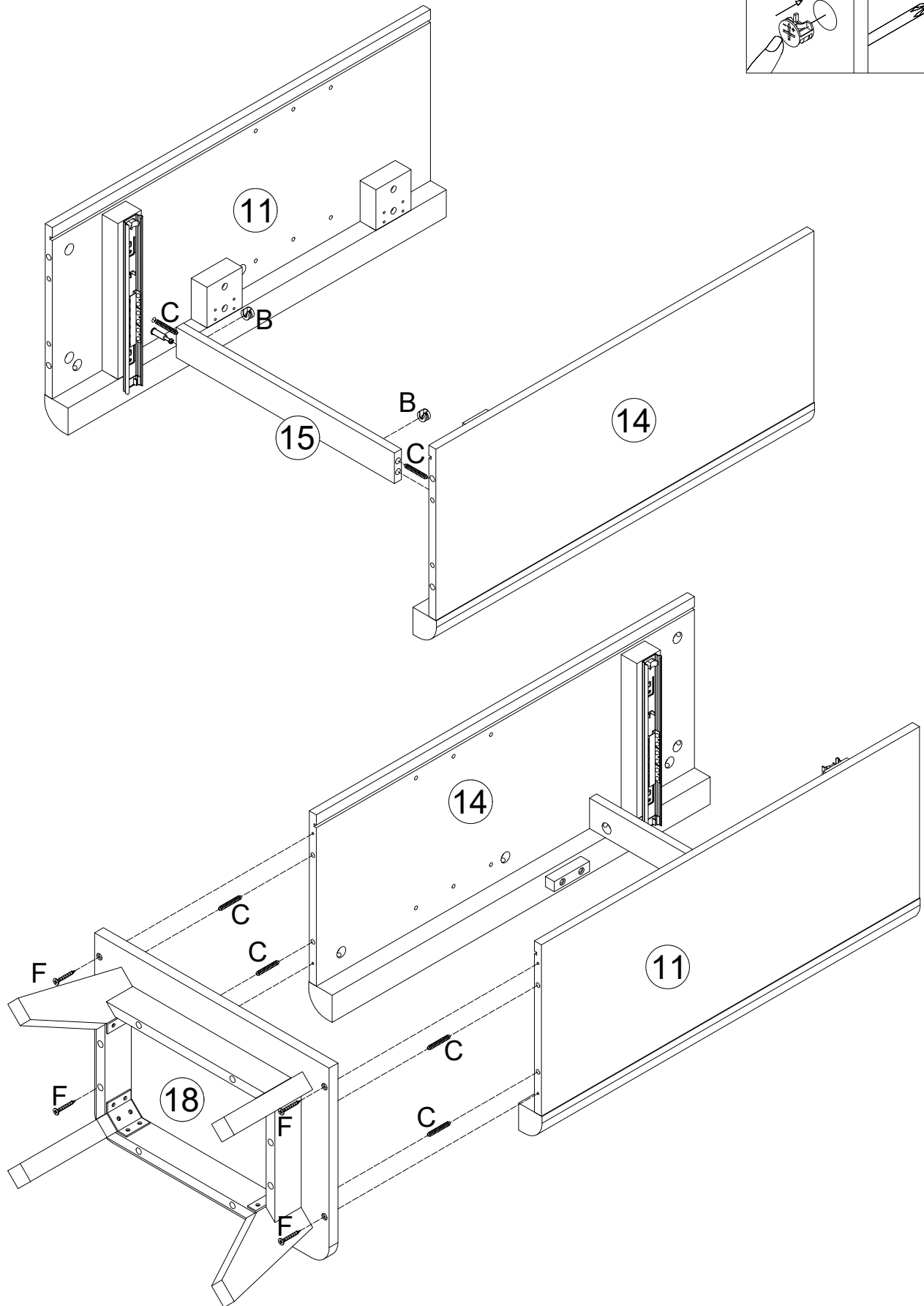
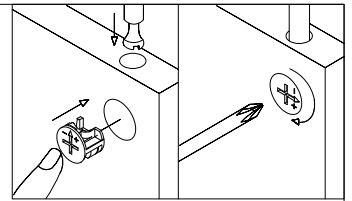





Step 10



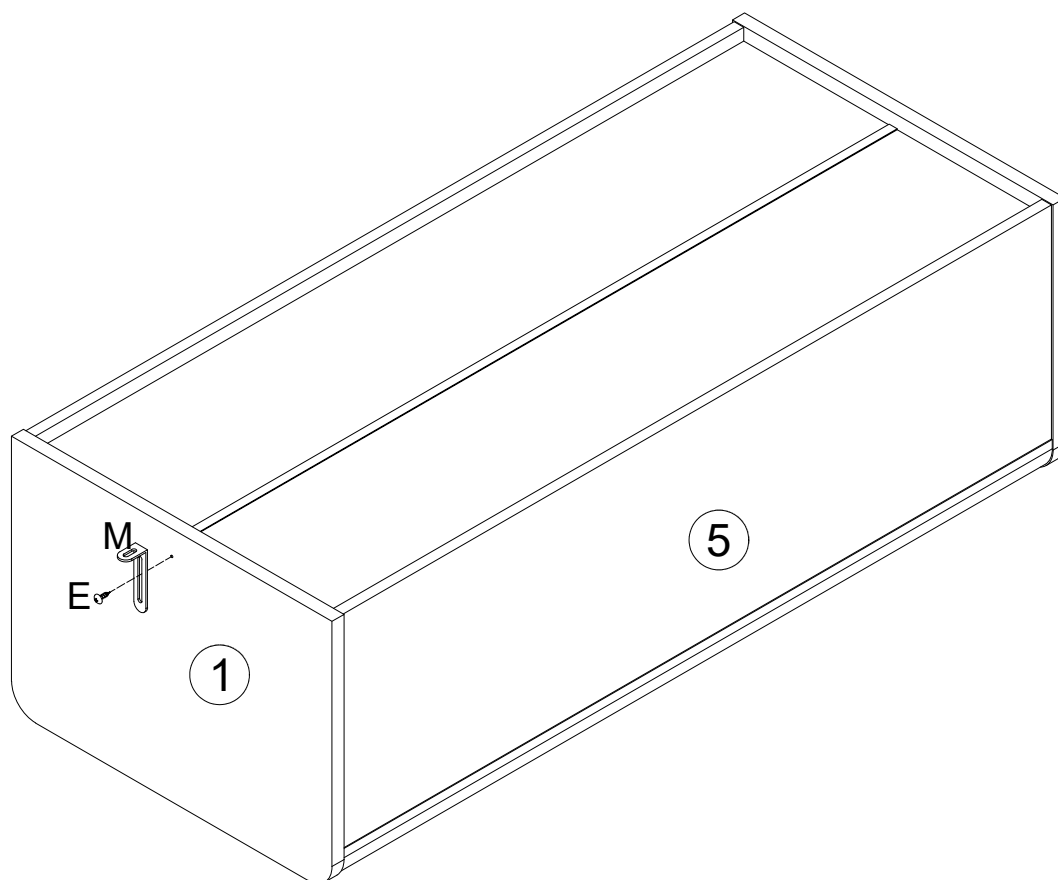
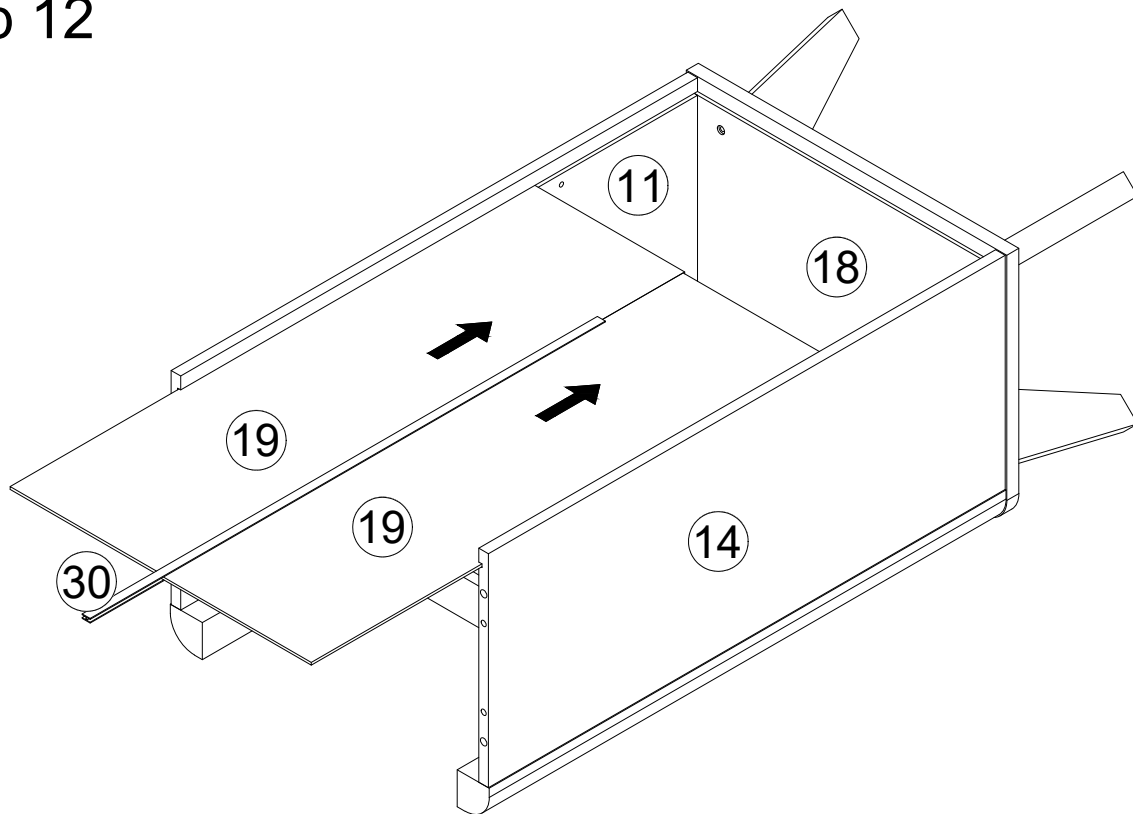
C x 10 PCS		E x 16 PCS	
F x 20 PCS		P x 4 PCS	

Step 11



B x 2 PCS			
C x 6 PCS		F x 4 PCS	

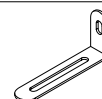
Step 12



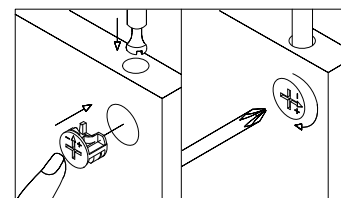
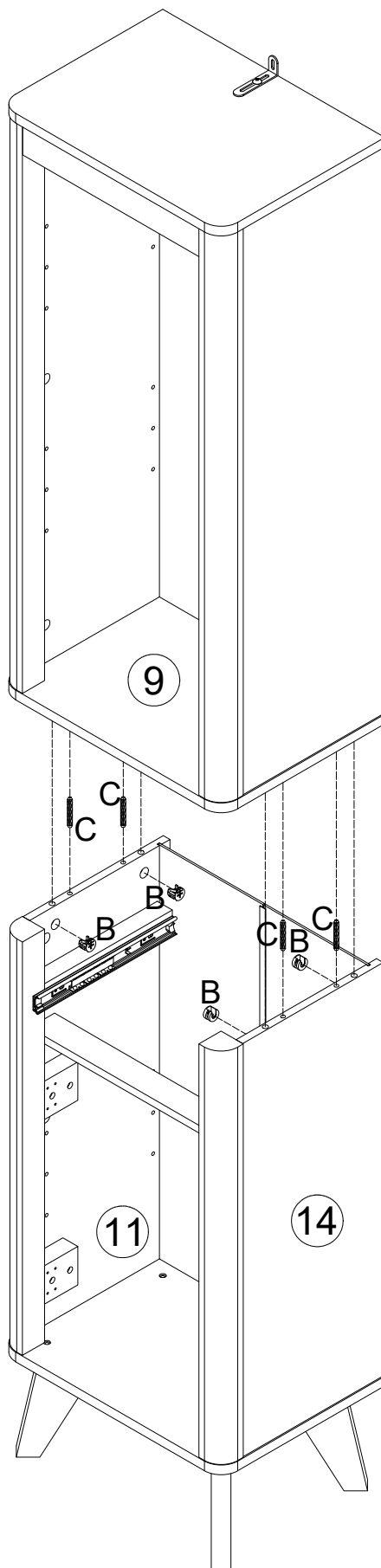
E x 1 PC



M x 1 PC



Step 13



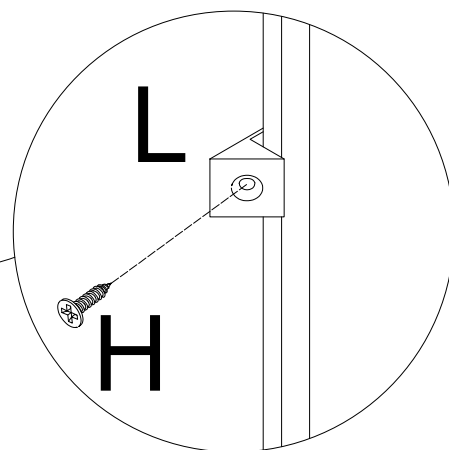
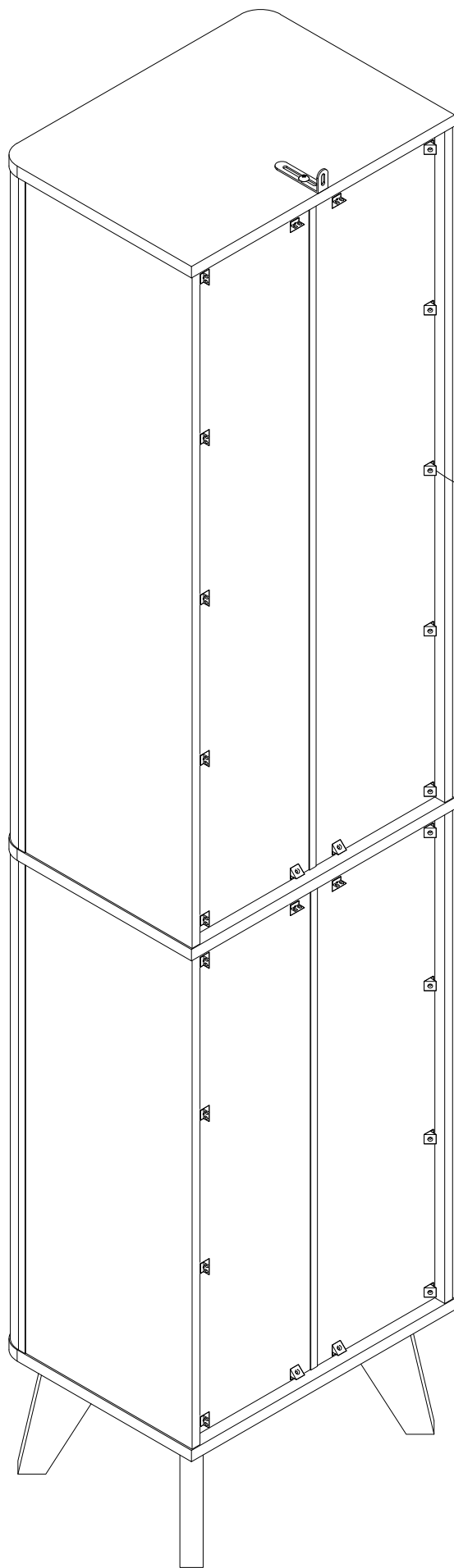
B x 4 PCS



C x 4 PCS



Step 13



H x 26 PCS

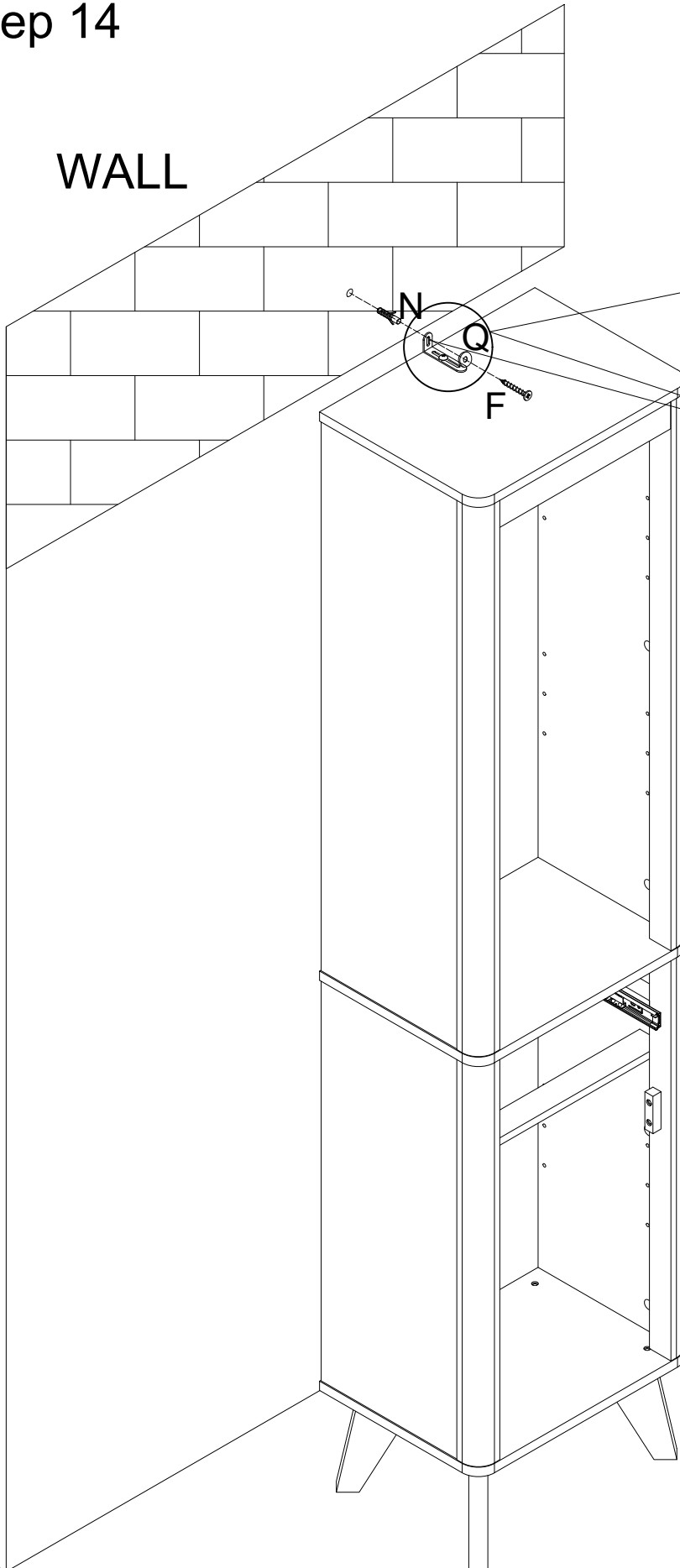
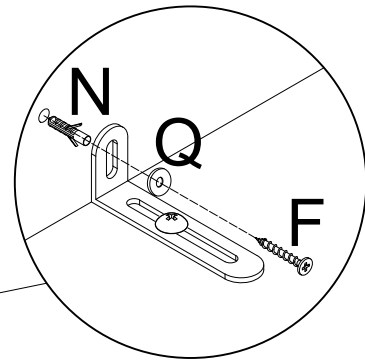


L x 26 PCS



Step 14

WALL

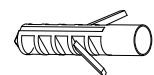


1. WALL
2.
3. WALL

F x 1 PC



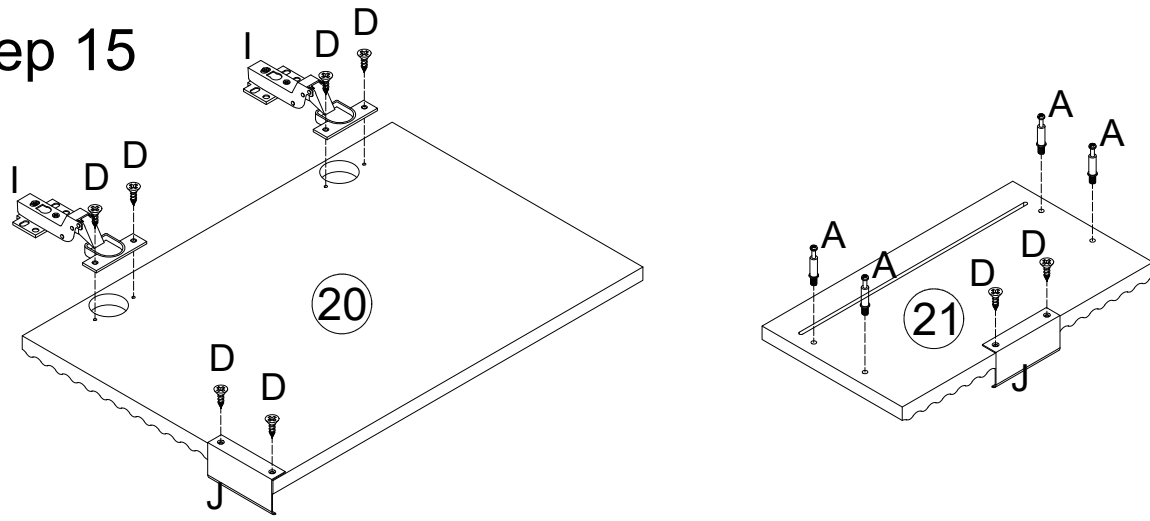
N x 1 PC



Q x 1 PC



Step 15



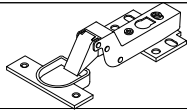
A x 4 PCS



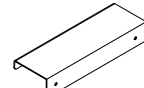
D x 8 PCS



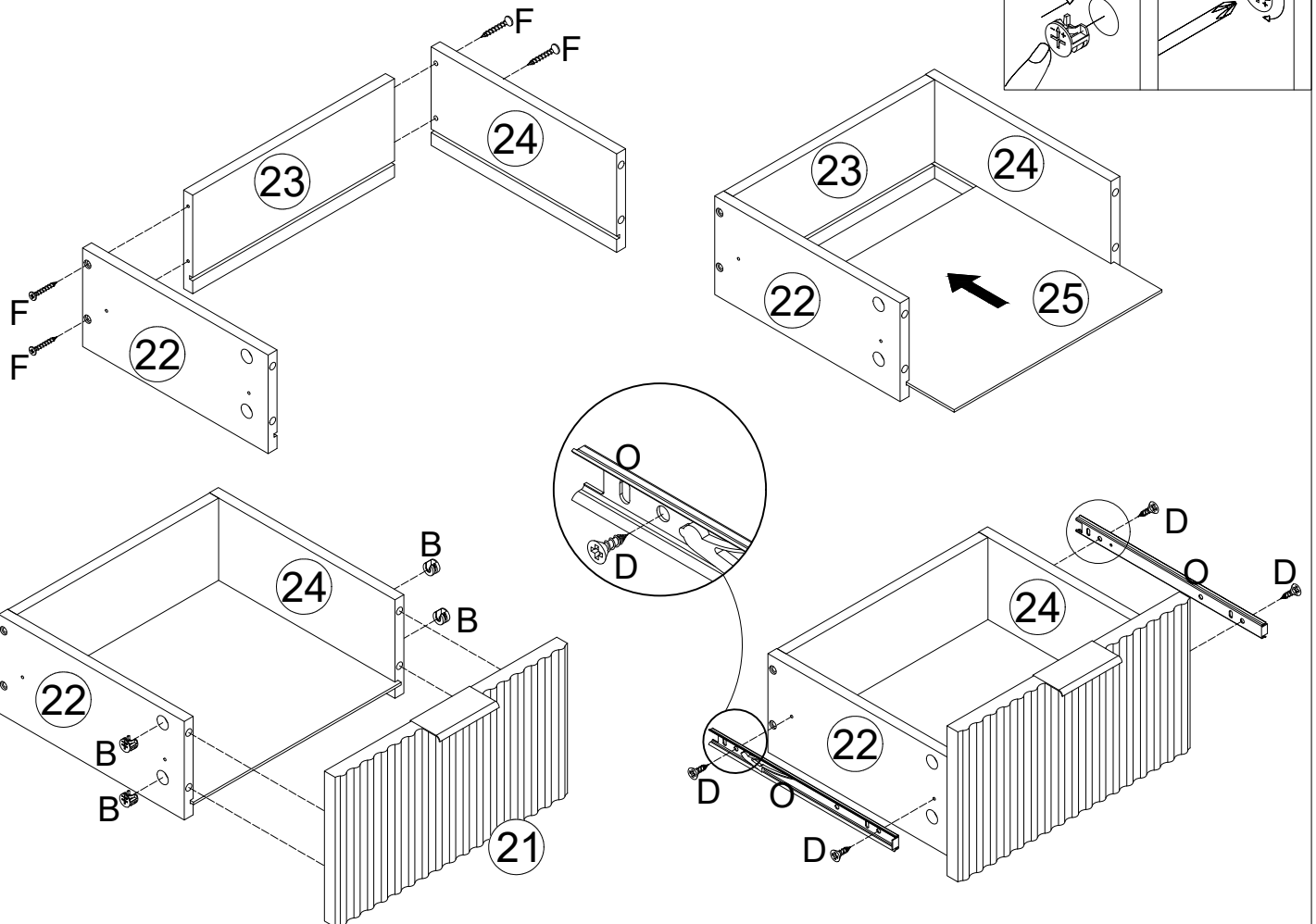
I x 2 PCS



J x 2 PCS



Step 16



B x 4 PCS



D x 4 PCS



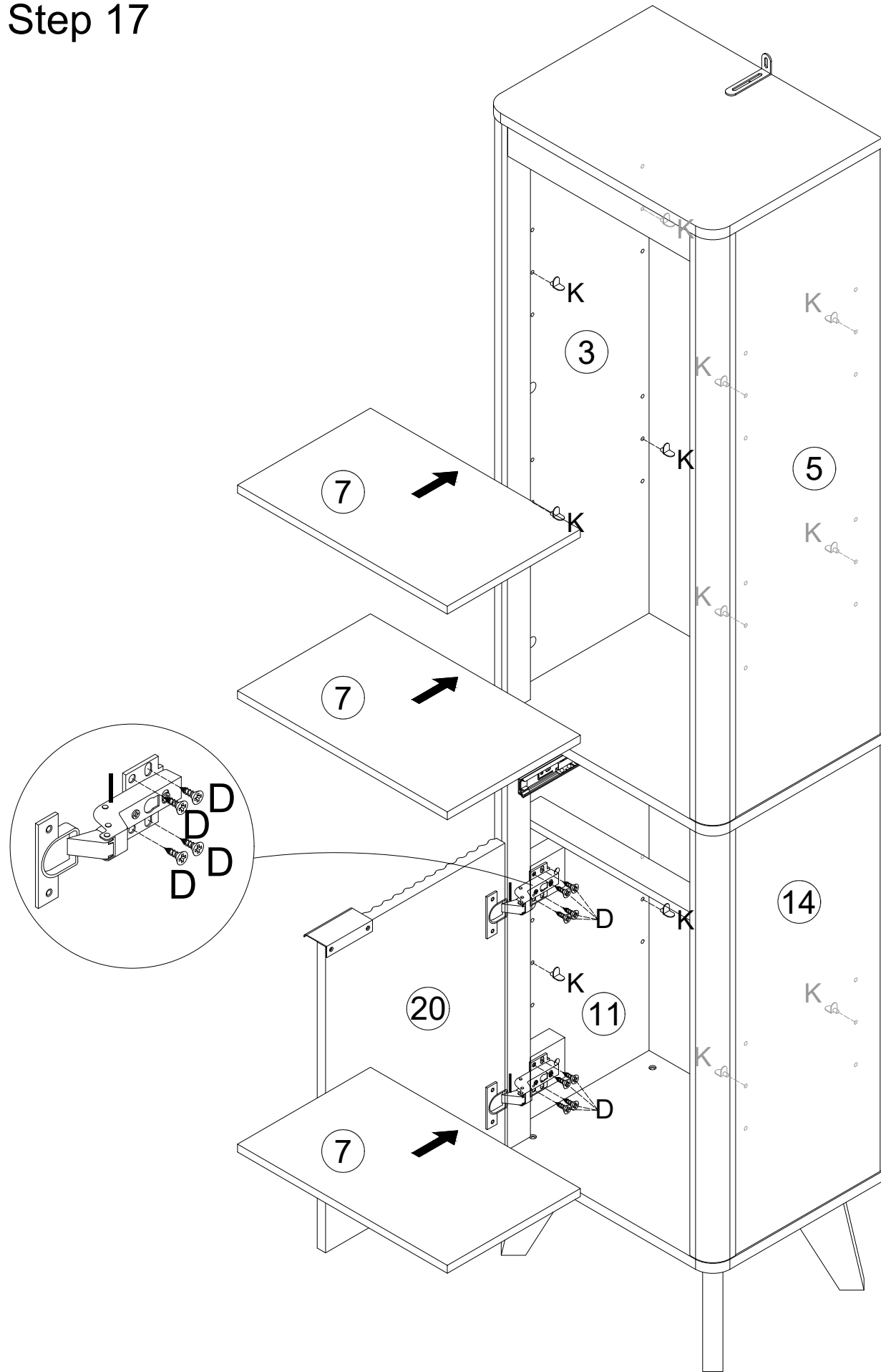
F x 4 PCS



O x 1 PC



Step 17



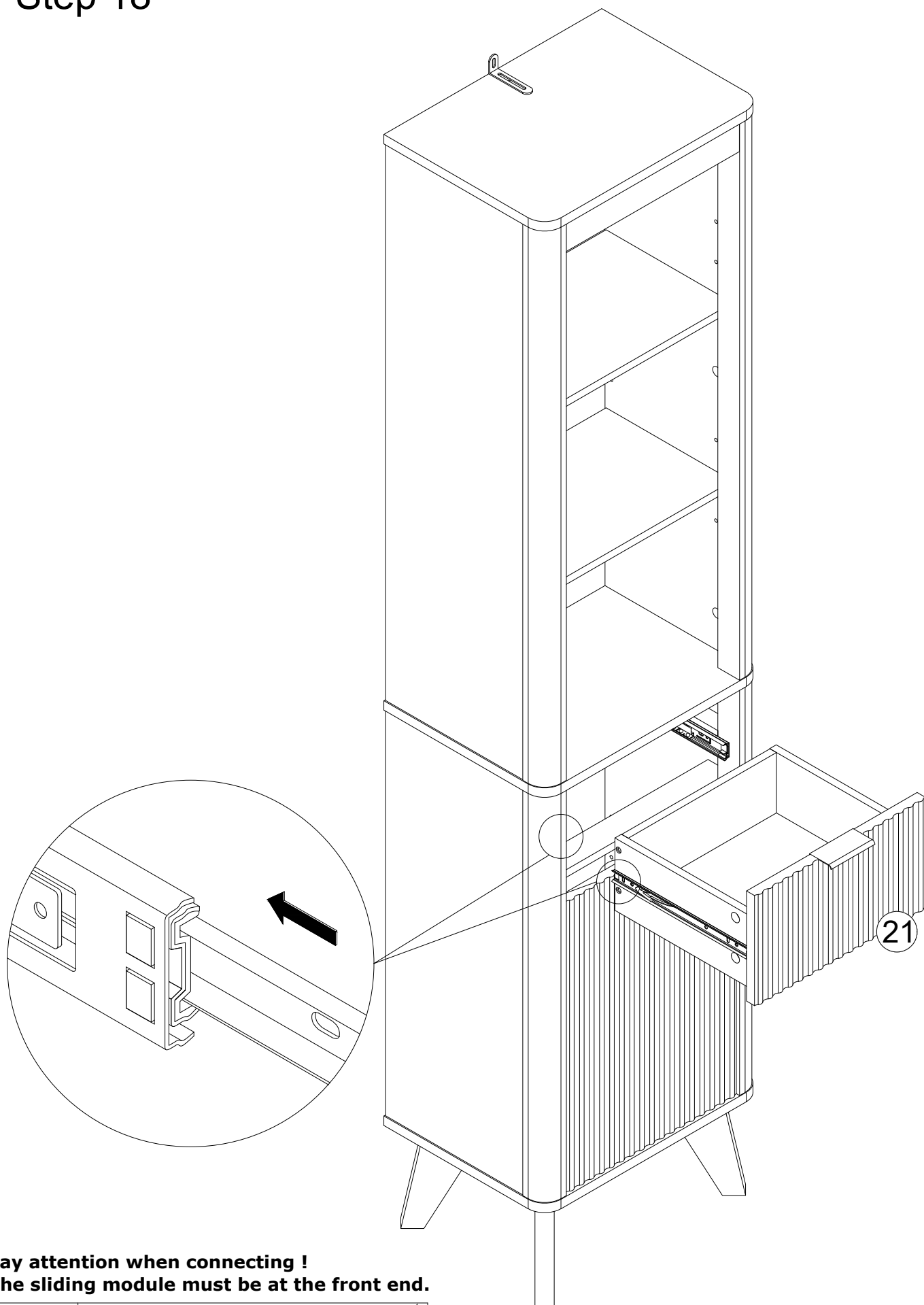
D x 8 PCS



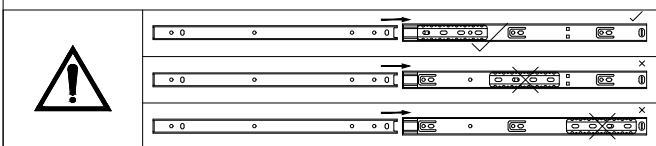
K x 12 PC



Step 18



**Pay attention when connecting !
The sliding module must be at the front end.**



Step 18

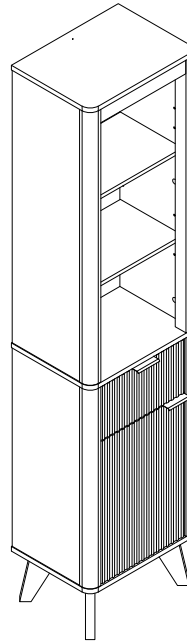
if there is misalignment after you install,adjust the screw to the best condition.



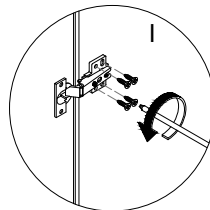
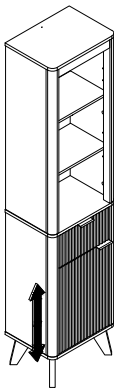
When the door position is not standard,please adjust the door according to the right picture.



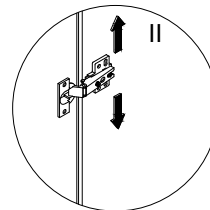
Please place the cabinet on the flat floor before adjustment.



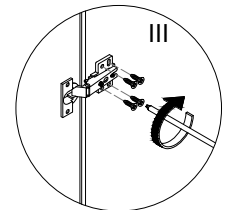
Adjust the door up and down to match the cabinet.



I:loosen the screw.

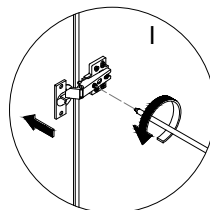
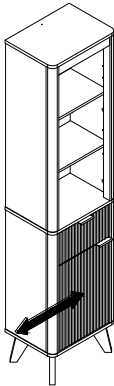


II:Adjust the upper and lower position.

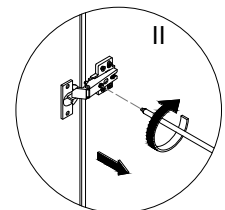


II:tighten the screw.

Adjust the door left and right to match the cabinet for suitable crack of the door

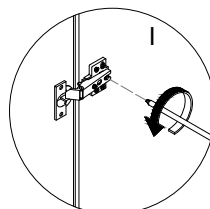
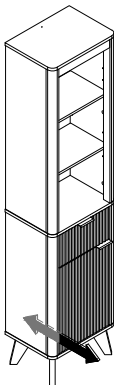


I:loosen the screw to keep hinge apply force toward the direction of arrow.

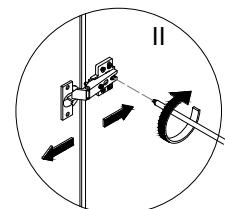


II:tighten the screw to keep hinge apply force toward the direction of arrow.

Adjust the door backwards and forwards to match the cabinet.



I:loosen the screw.



II:Adjust the distance between front and back.