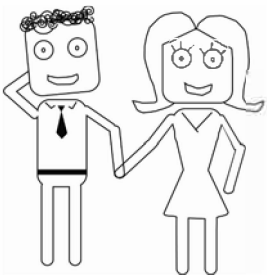
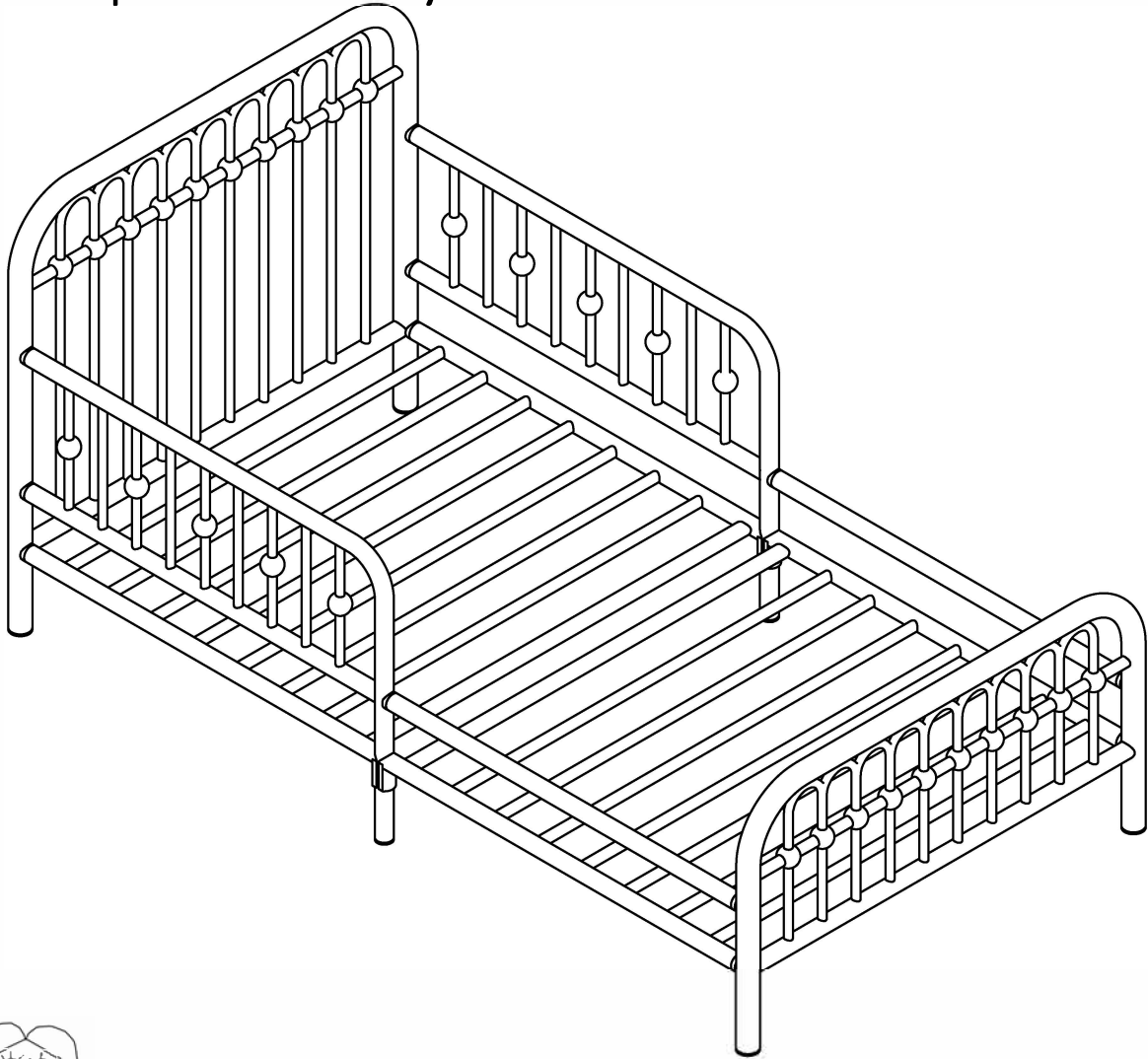


# Metal Toddler Bed

---

Keep this Assembly Manual for future reference.



Two adults  
recommended  
for assembly

This product is not intended for commercial use.

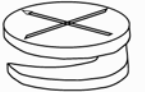
---

Do NOT return this product.

---

## Helpful Hints

- Open your item in the area you plan to keep it for less heavy lifting
- Identify, sort and count the parts before attempting assembly
- Compression dowels are tapped in with a hammer
- Slides are labeled with an R (right) and L (left) for proper placement
- Make sure to always face the point on the top of the Can Lock towards the outer edge
- Use all the nails provided for the back panel and spread them out equally
- Back panel must be used to make sure your unit is sturdy
- Do NOT use harsh chemicals or abrasive cleaners on this item
- Never push, pull, or drag your furniture





# Warning

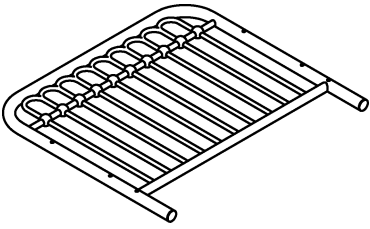


- \* Failure to follow these warnings and assembly instruction could result in serious injury or death.
- \* Read all instructions before assembling this product. **KEEP INSTRUCTIONS FOR FUTURE USE.**
- \* **INFANTS HAVE DIED IN TODDLER BEDS FROM ENTRAPMENT.**  
Openings in and between bed parts can entrap head and neck of a small child. NEVER use bed with children younger than 15 months. ALWAYS follow assembly instructions. The maximum weight for this bed cannot exceed 50 lbs.
- \* **STRANGULATION HAZARD**  
NEVER place bed near windows where cords from blinds or drapes may strangle a child.  
NEVER suspend strings over bed.  
NEVER place items with a string, cord, or ribbon, such as hood strings or pacifier cords, around a child's neck. These items may catch on bed parts.
- \* Check this product for damaged hardware, loose joints, loose bolts or other fasteners, missing parts or sharp edges before assembly and frequently during use. Securely tighten loose bolts and other fasteners. DO NOT use this product if any parts are missing, damaged or broken. Contact a customer service representative at 1-800-489-3351 for replacement parts and instructional literature if needed. DO NOT substitute parts.
- \* To help prevent strangulation tighten all fasteners. A child can trap parts of the body or clothing on loose fasteners.
- \* If refinishing, use a non-toxic finish specified for children's products.
- \* Never use plastic shipping bags or other plastic film as mattress covers because they can cause suffocation.
- \* **ENTRAPMENT HAZARD**  
To avoid dangerous gaps, any mattress used in this bed shall be a full-size crib mattress at least 51 5/8 in. (1310 mm) in length, 27 1/4 in. (690 mm) in width, and a max thickness of 6 in. (150 mm).

# Metal Toddler Bed

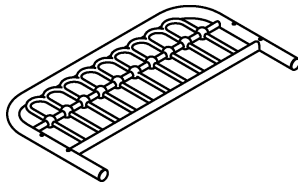
---

## Board Identification



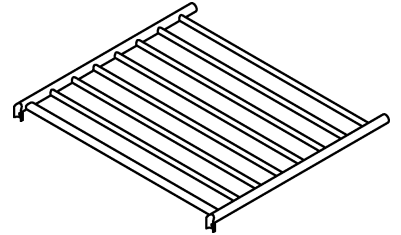
**A**

SIDE FRAME  
1pc



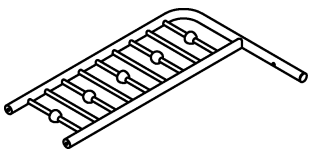
**B**

SIDE FRAME  
1pc



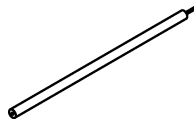
**C**<sub>x2</sub>

MATTRESS SUPPORT  
2pcs



**D**

SIDE FRAME  
2pcs

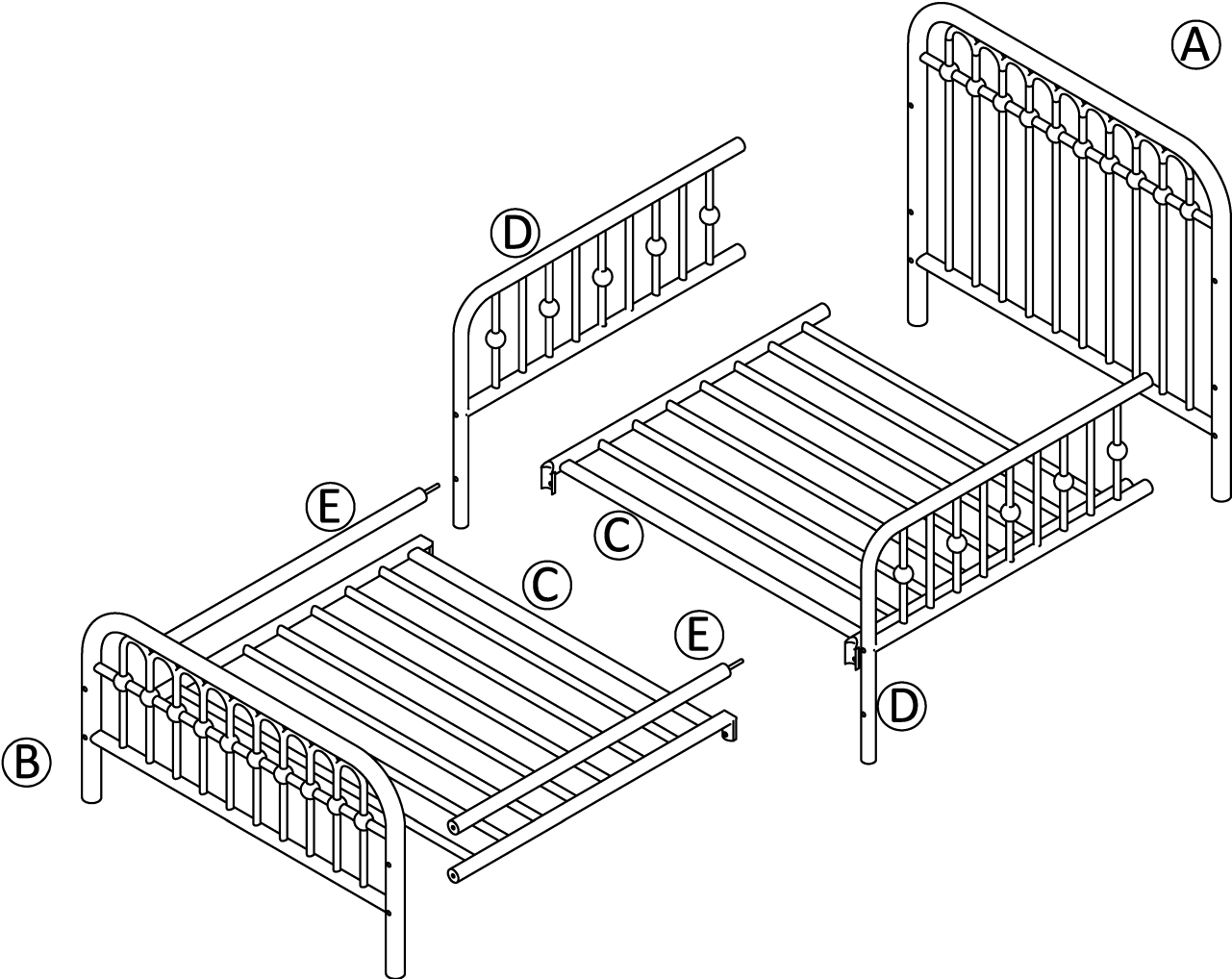


**E**

RAIL  
2pcs

# Metal Toddler Bed

## Board Identification

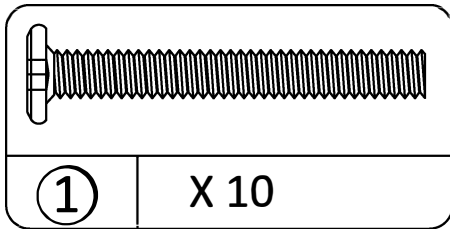


# Metal Toddler Bed

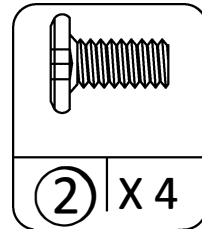
---

## Parts List

Actual Size



1/4 " x 50mm BOLT

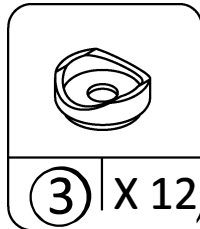


1/4 " x 13mm BOLT

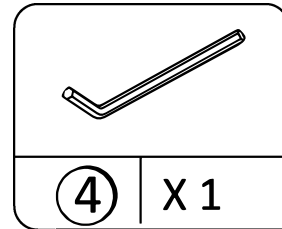
---

## Parts List

Not Actual Size



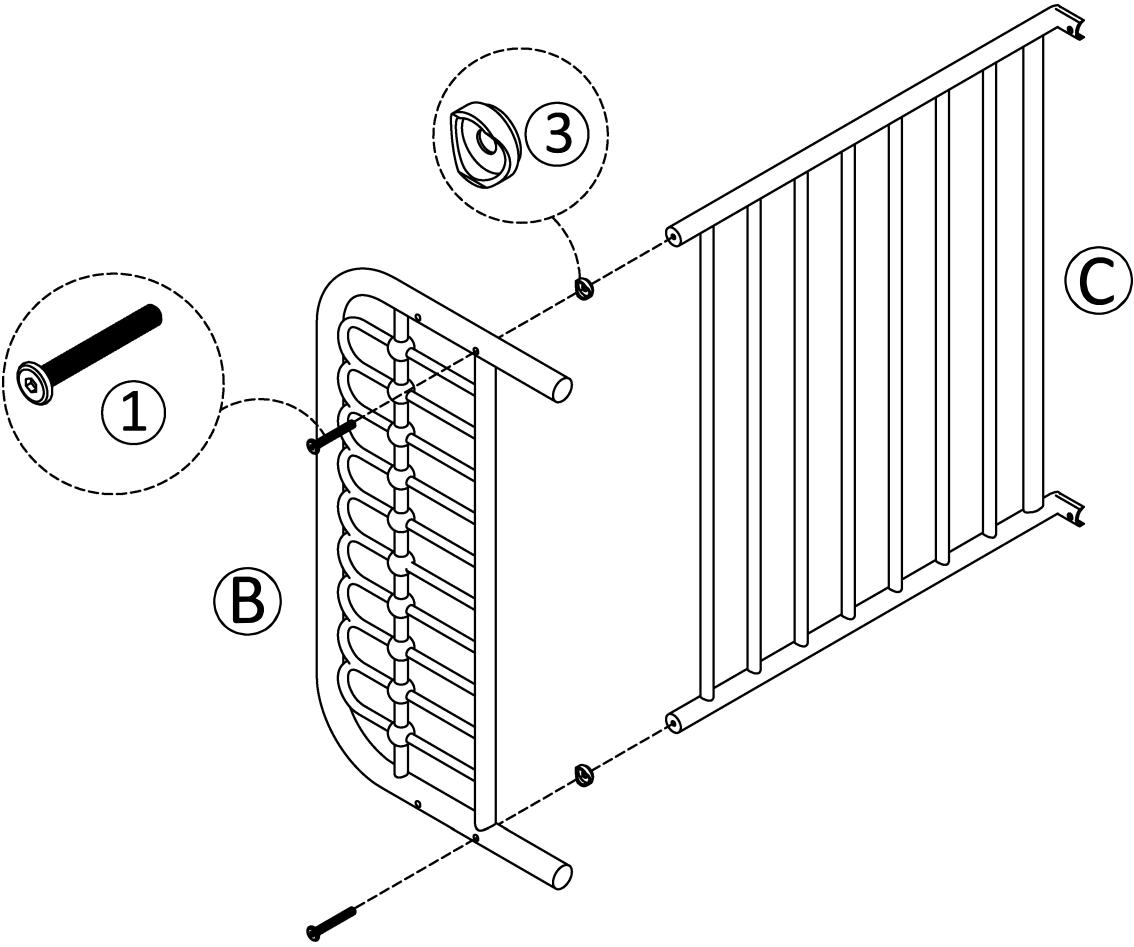
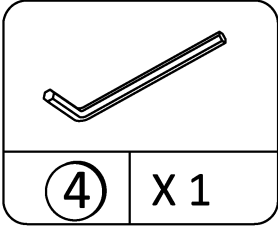
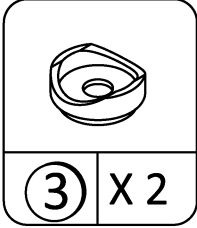
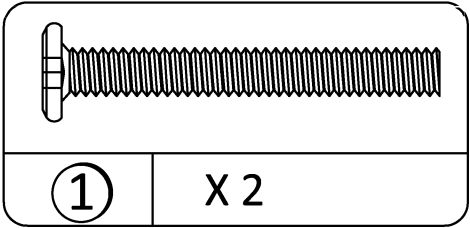
NYLON SPACER



M4 HEX KEY

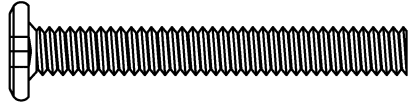
# Metal Toddler Bed

## STEP 1




# Metal Toddler Bed


## STEP 2



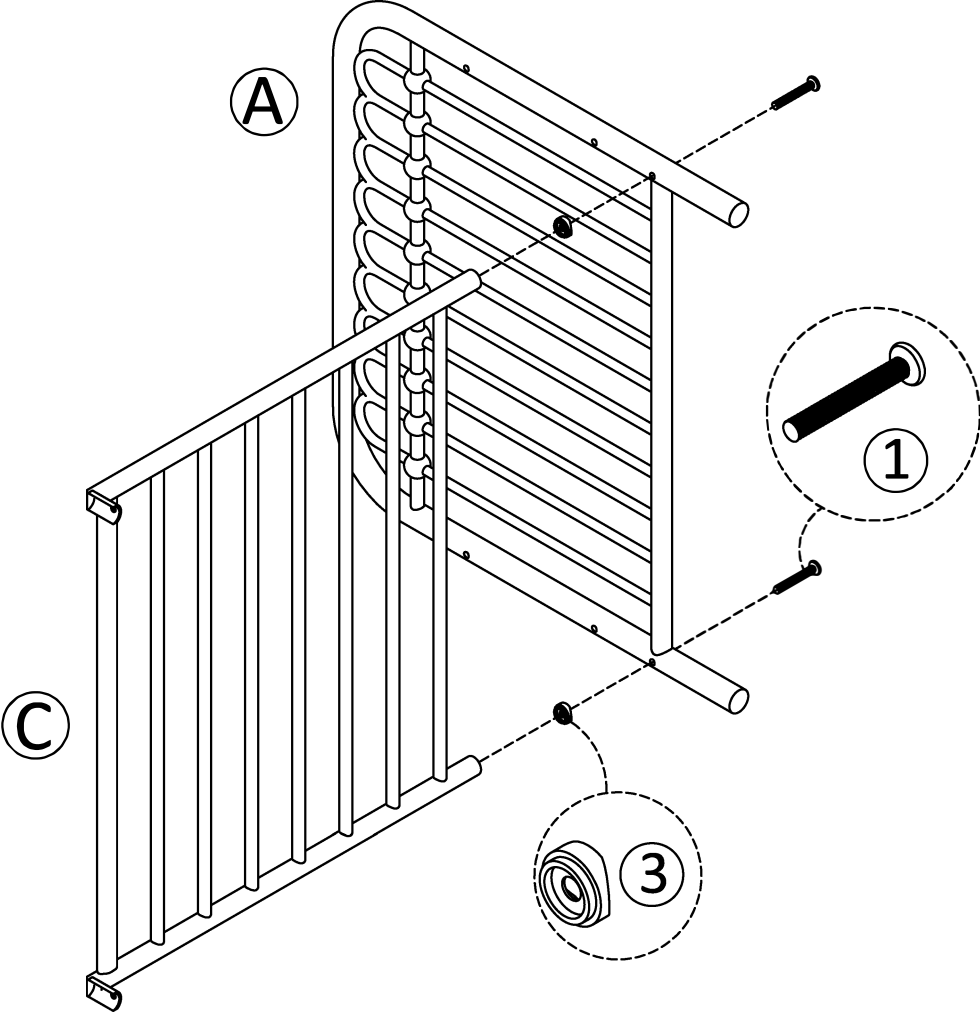
①	X 2
---	-----



③	X 2
---	-----

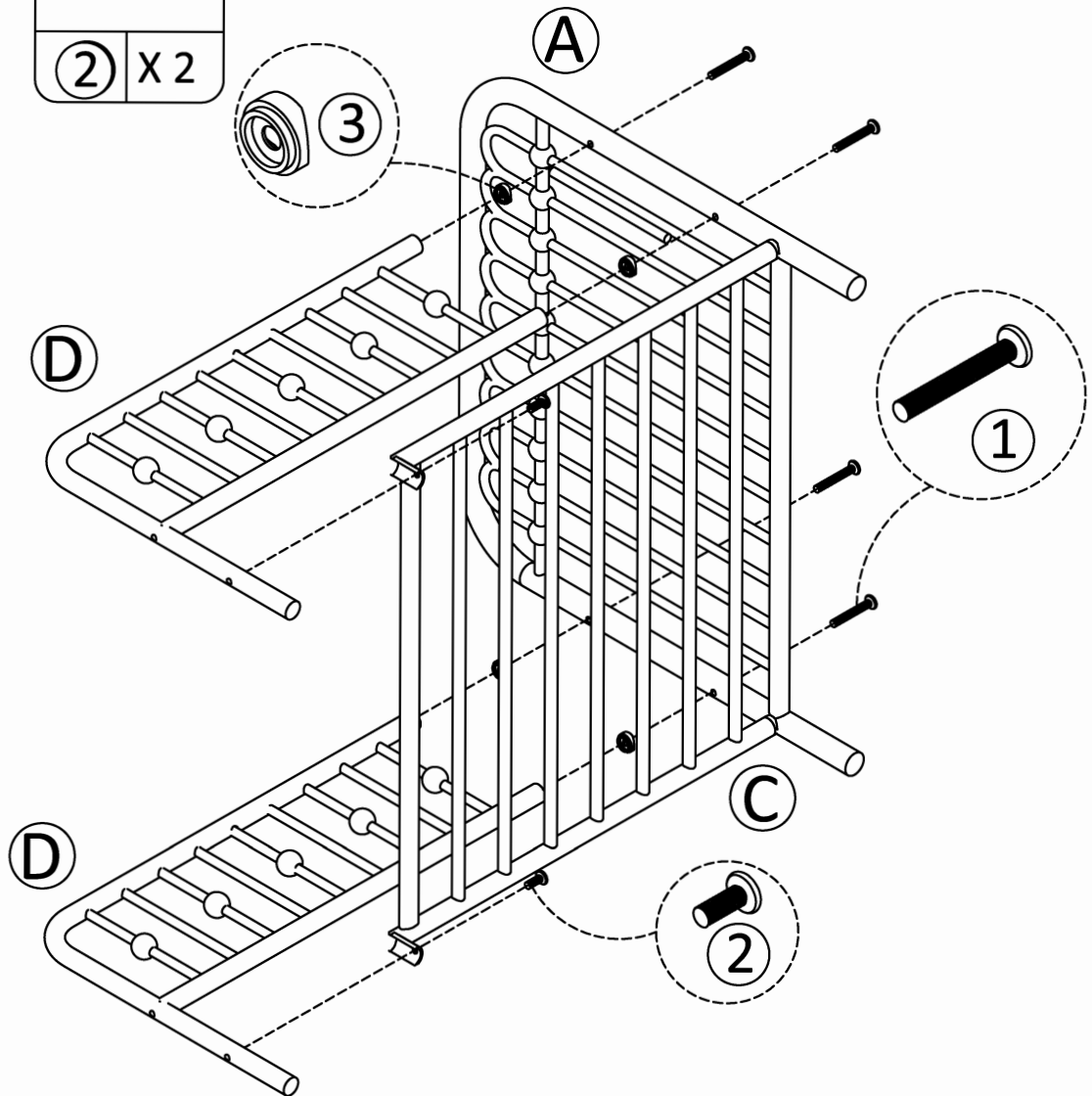
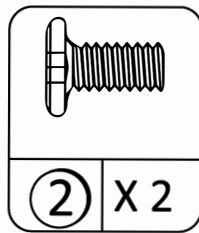
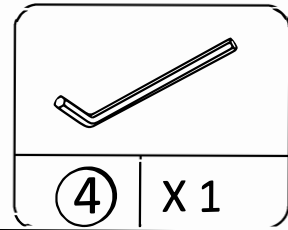
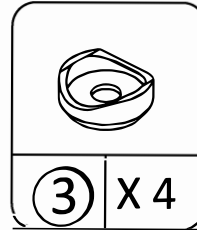
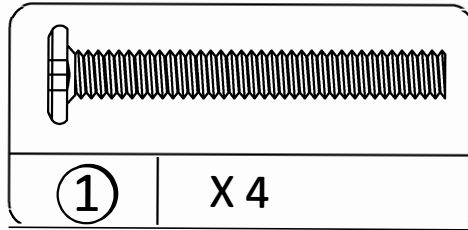


④	X 1
---	-----



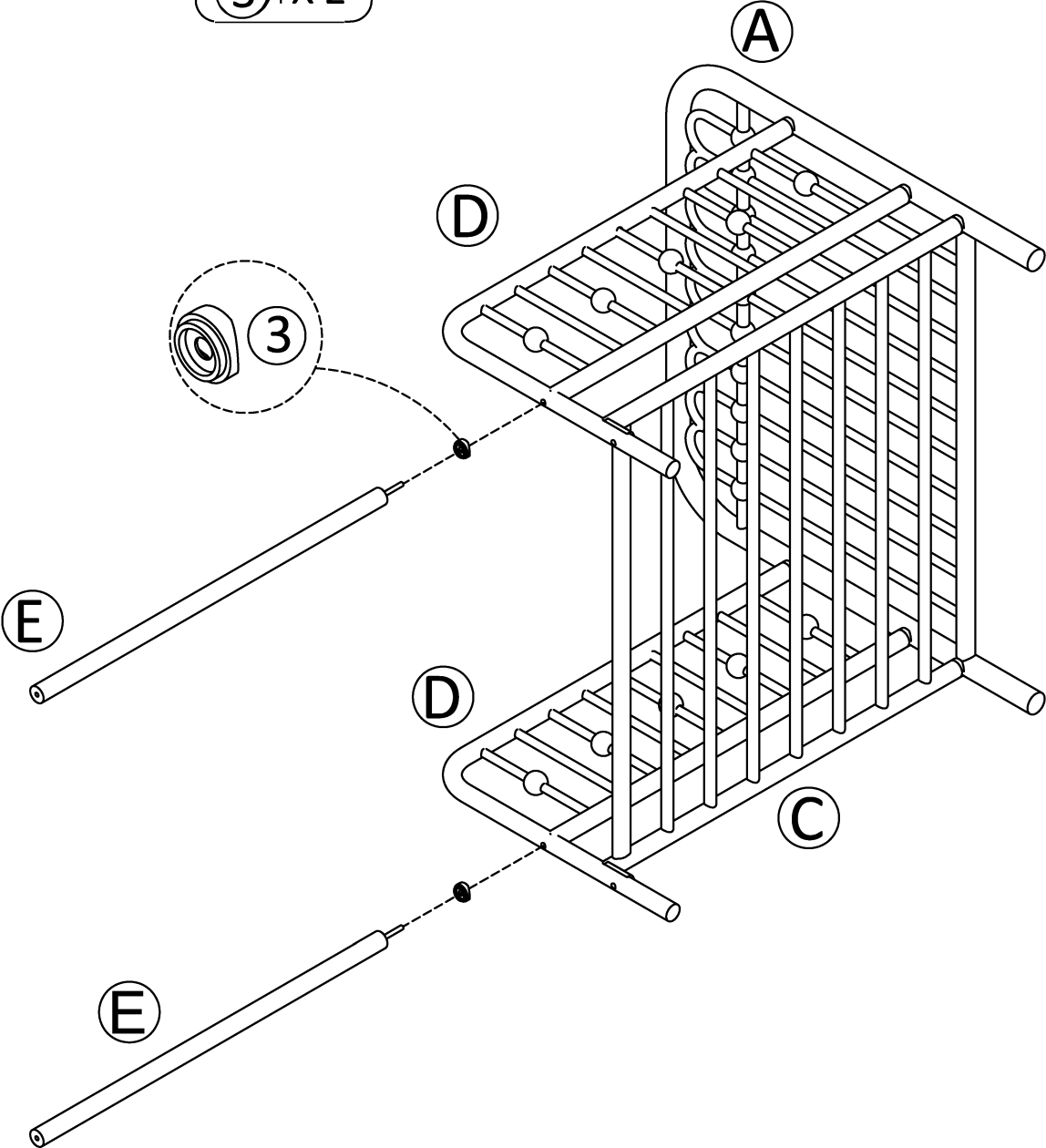
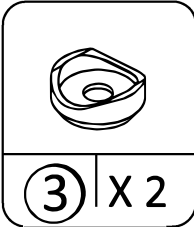
# Metal Toddler Bed

## STEP 3



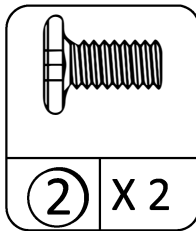
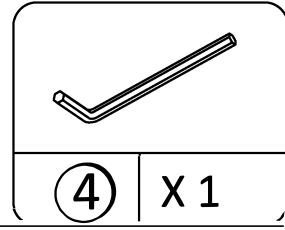
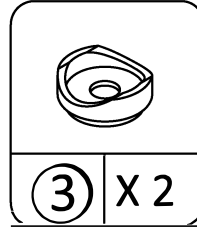
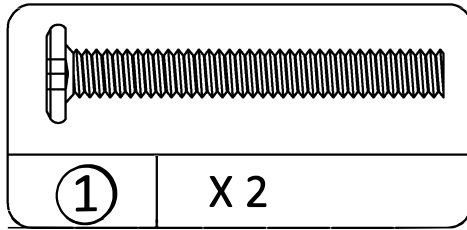
# Metal Toddler Bed

## STEP 4

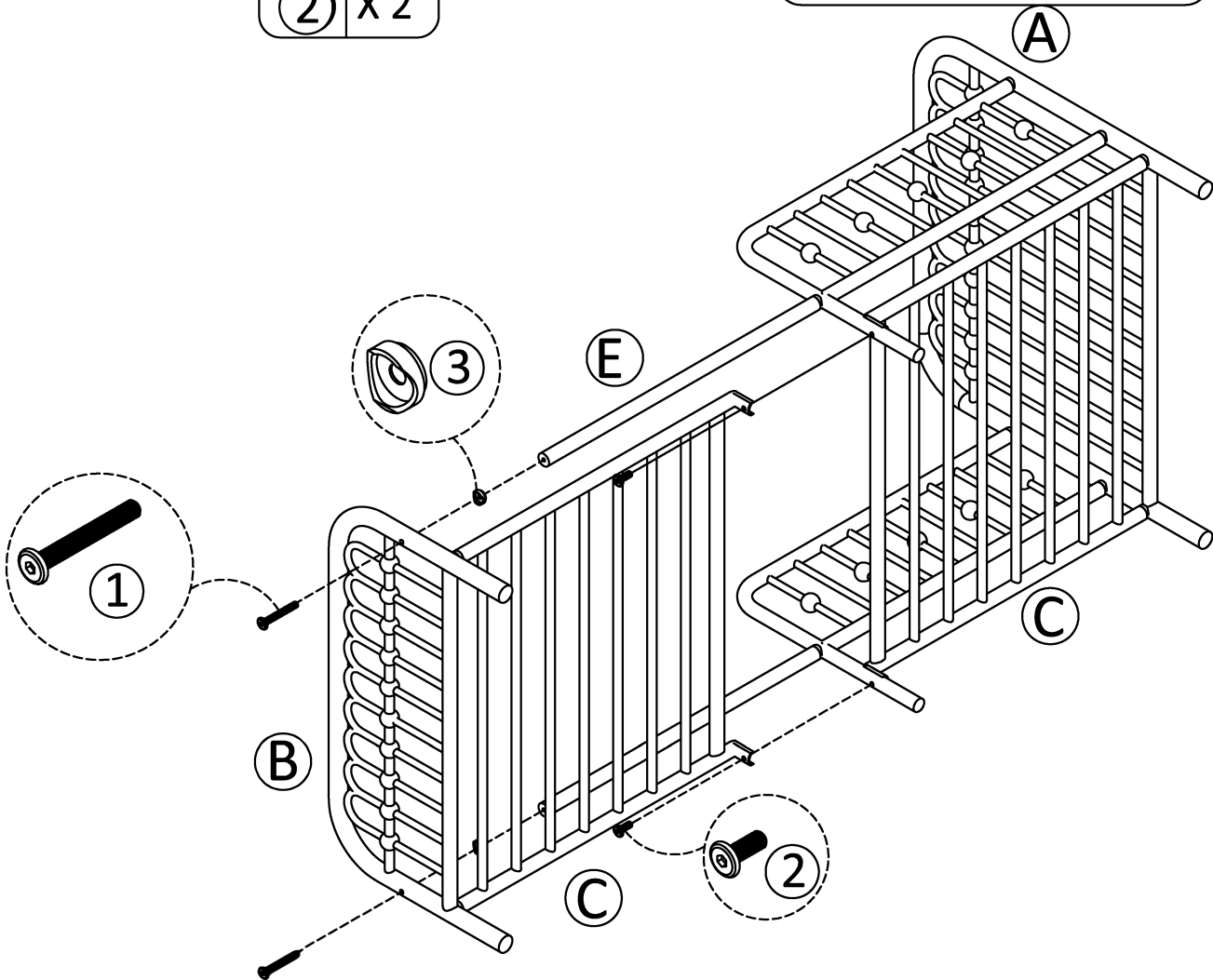


# Metal Toddler Bed

## STEP 5



**▲ CAUTION**  
Please make sure all bolts are securely tightened. Failure to do so may result in collapse of unit, property damage or injury

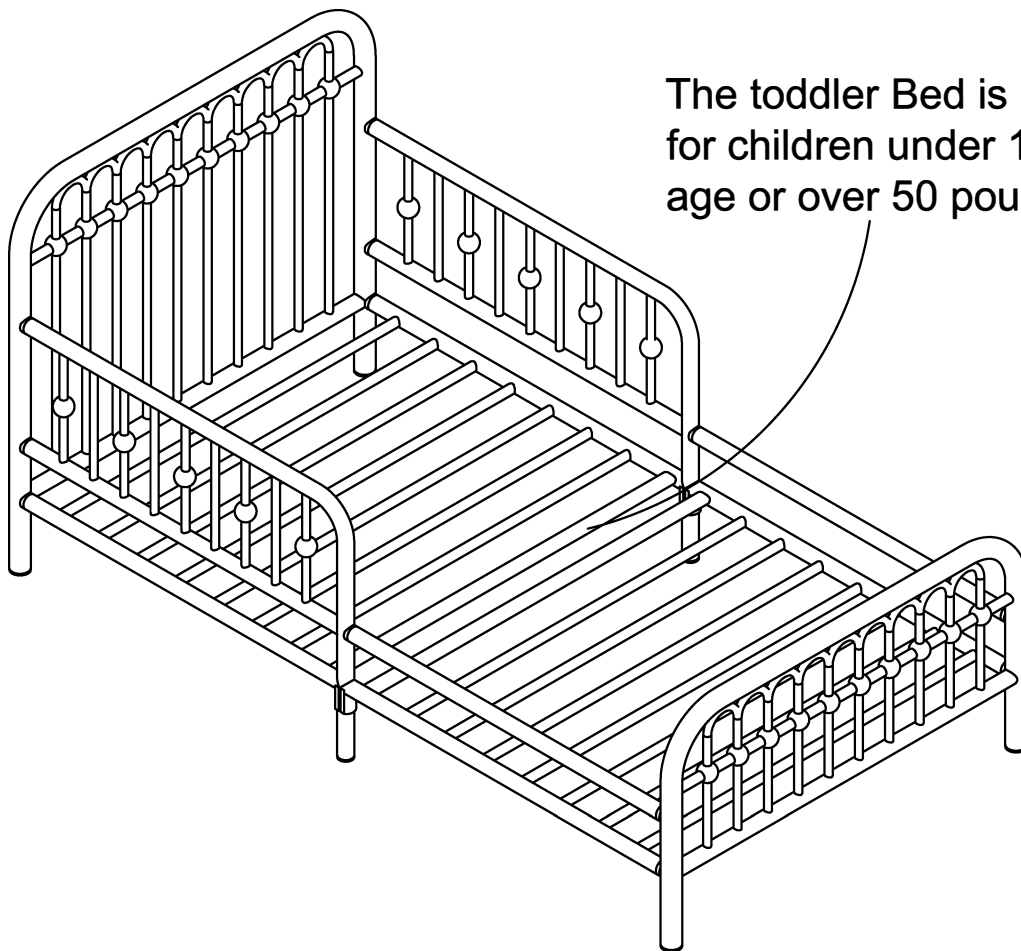


# Metal Toddler Bed

---

## MAXIMUM LOADS

This unit has been designed to support the maximum loads shown. Exceeding these load limits could cause sagging, instability, product collapse, and/or serious injury. Please make sure that all objects are removed before moving the assembled unit. The unit must be team lifted, not dragged or pushed. Failure to do so could cause instability, product collapse, and/or serious injury.



The toddler Bed is not intended for children under 15 months of age or over 50 pounds (22.7kgs).

**Warning: Risk of injury to persons - Do Not place a television on this furniture. This furniture is not approved for use with a television.**