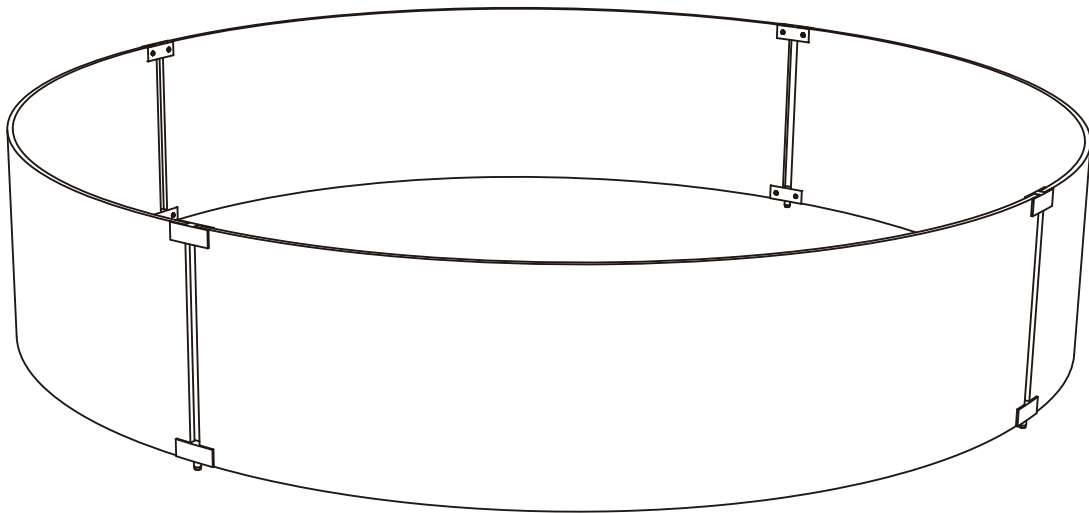


Metal Round Gas Fire Pit Table Set - Glass Wind Guard

If you have any questions about the Glass Wind Guard, please feel free to contact us.

Customer Service Email: Service@alaulm.com



P25089-S1

IMPORTANT

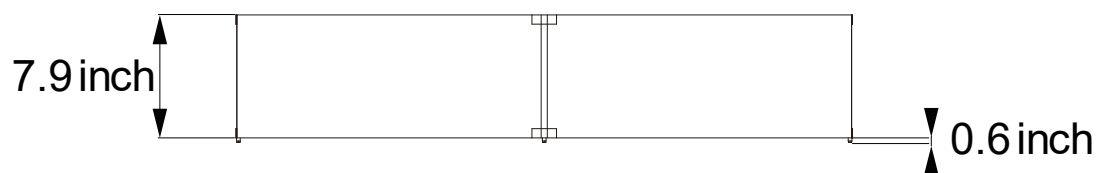
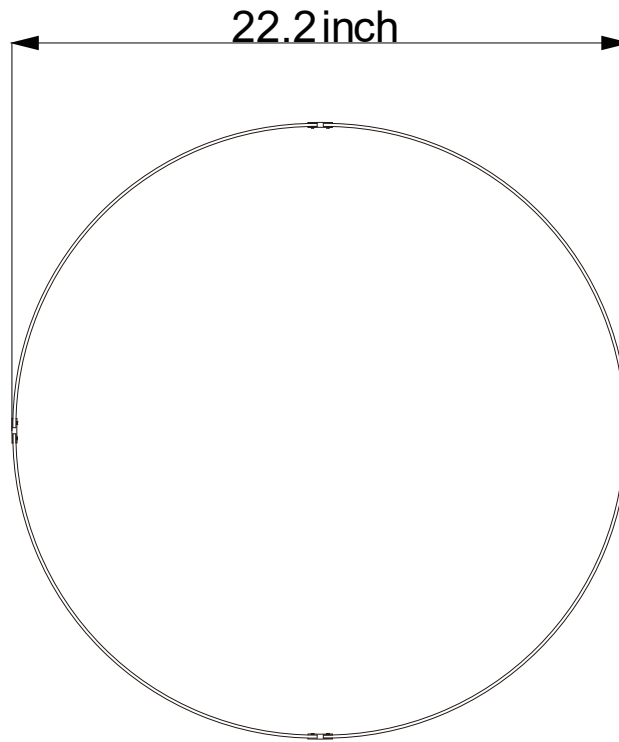
PLEASE READ BEFORE YOU COMMENCE ASSEMBLY

Follow the guidelines in this user guide to ensure correct assembly and care for this product.

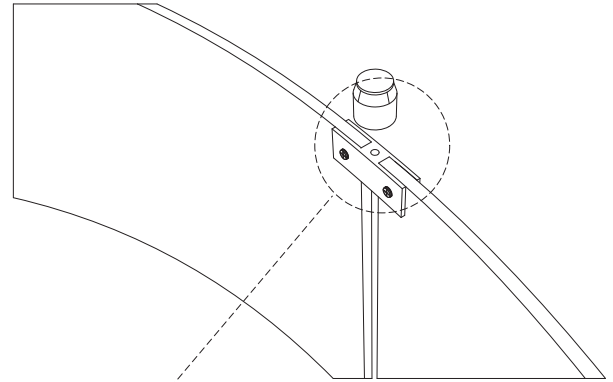
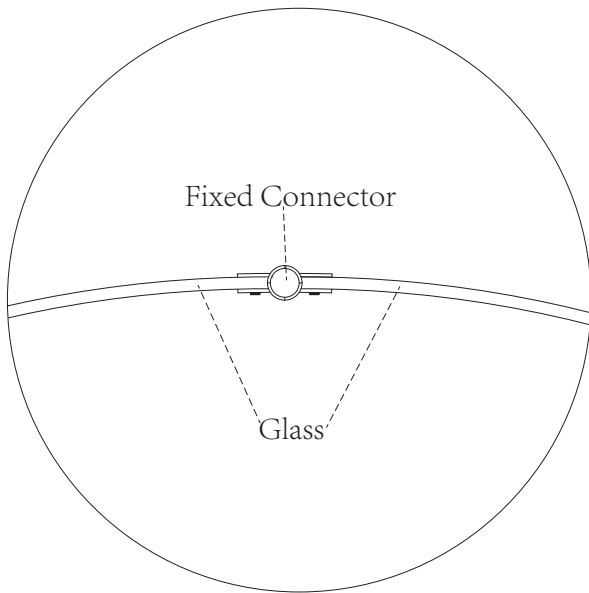
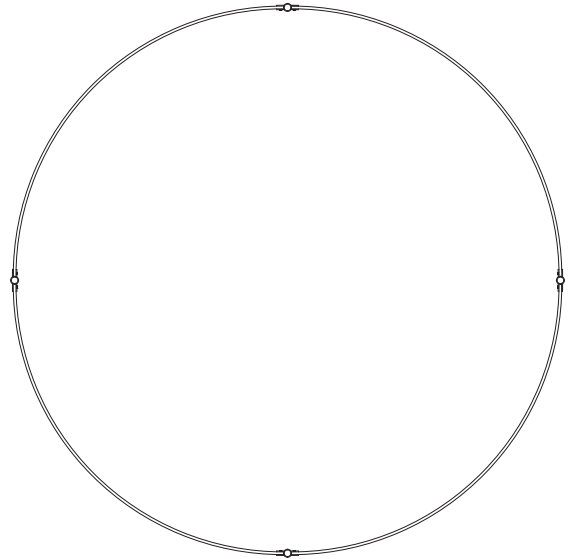
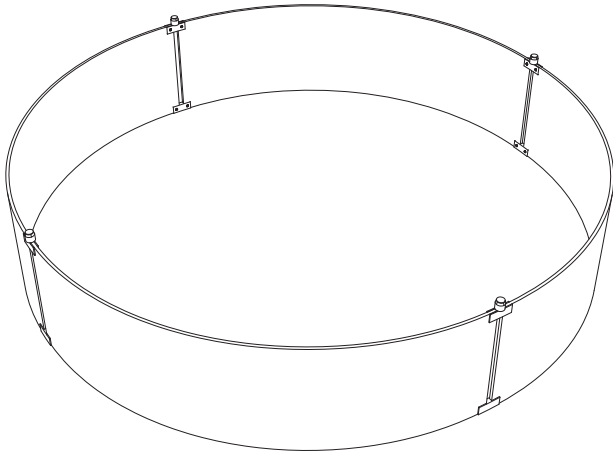
Catalog

Specifications.....	02
Installation Precaution	03
Part List	04
How to Assemble The Glass Wind Guard	05

SPECIFICATIONS




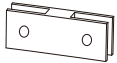
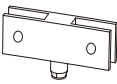

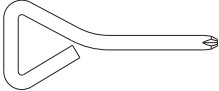

Installation Precaution



The glass needs to be fully snapped into the grooves of the fixed connector

- 1) Once you have installed all the fixed connectors on the windshield cover and it has formed a circle, adjust the distance between the four pieces of glass and the fixed connector, so that the edges of the glass are fully snapped into the fixed connector grooves.
- 2) To tighten the screws, you need to use a screwdriver gently, and when you feel that you can't screw it in, rotate it half a turn to a turn.

PART LIST

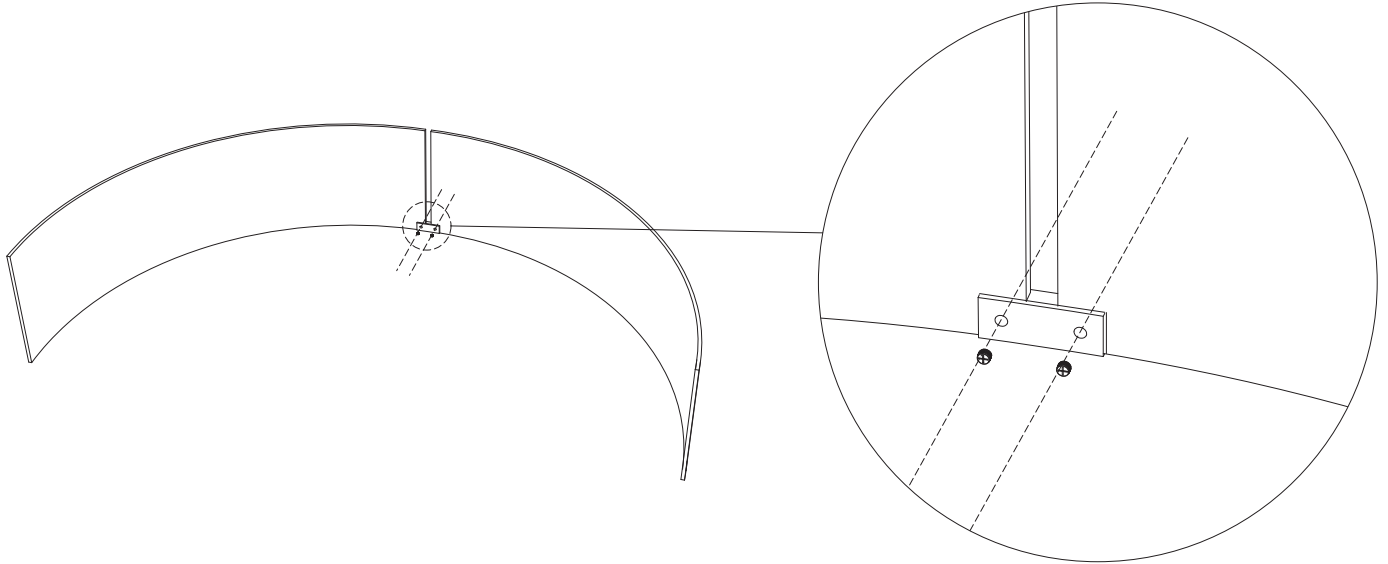
Parts List			
Part	Description	Part Name	Qty
L001		Glass	4PCS
Screw Set			
Part	Description	Part Name	Qty
M1		Top Connector	4PCS
M2		Bottom Connector	4PCS
N		M10x10	16PCS
O		Allen Wrench	1PC
Extra(Screw Set)			
Part	Description	Part Name	Qty
N		M10x10	2PCS


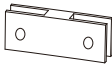

WARNING: Failure to locate parts in accordance with these diagrams, or failure to use special parts provided with this equipment, may result in property damage or personal injury.

How To Assemble the Glass Wind Guard

Step1: Insert the glass(L013) into the top connector(M1) and screw the screws in until the glass is snapped.

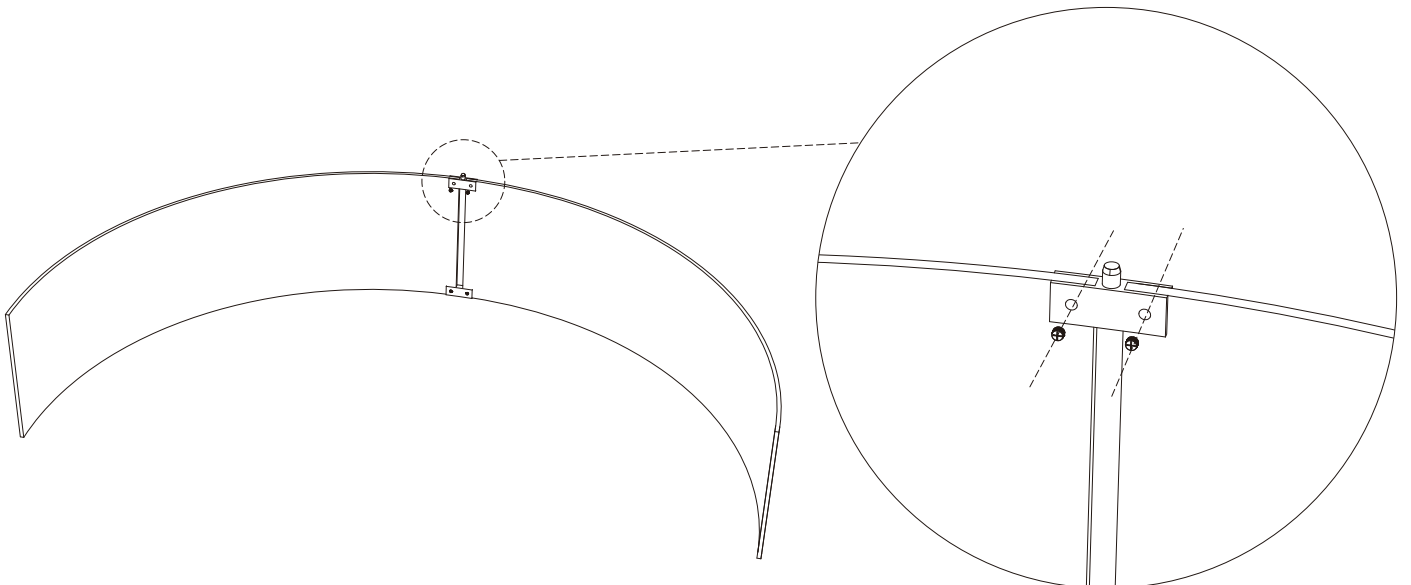
Note: Do not tighten the screws. Make sure the connector doesn't fall off the glass.

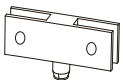



L013		x2	M1		x1	N		x2
------	---	----	----	---	----	---	---	----

Step2: Insert the bottom connector(M2) between the two pieces of glass and lock the screws.

Note: Do not tighten the screws. Make sure the connector doesn't fall off the glass.

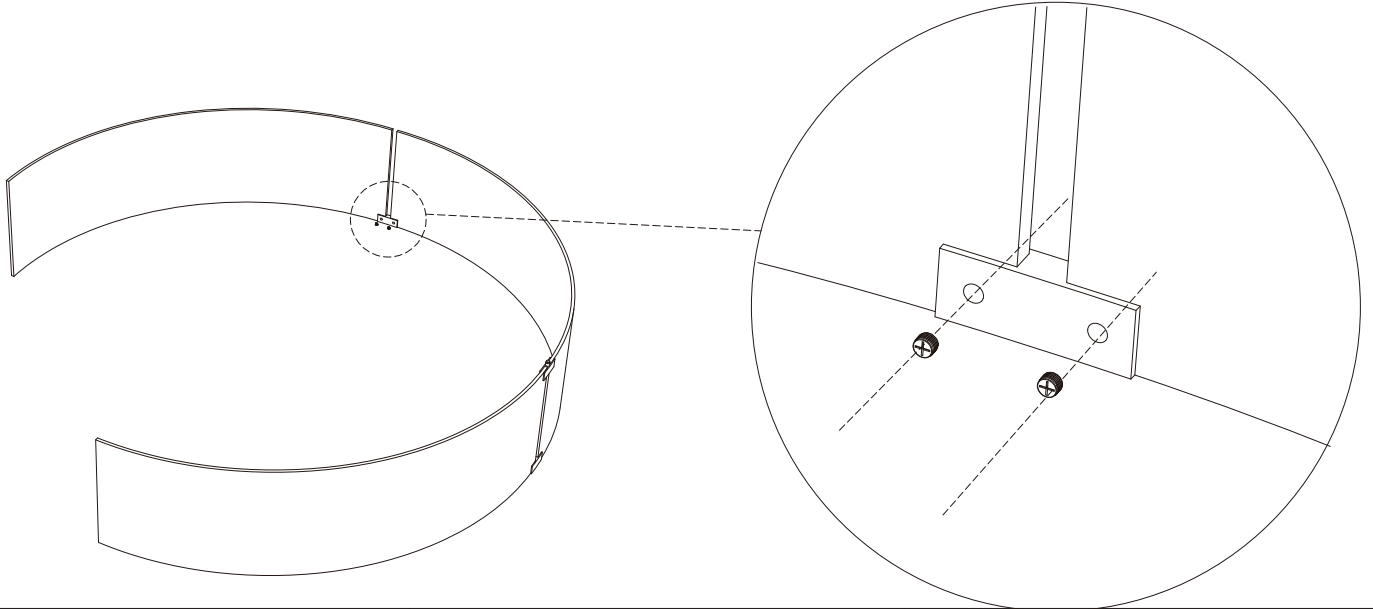



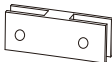

M2		x1	N		x2
----	---	----	---	---	----

Installation steps

Step3: Insert the glass(L013) into the top connector(M1) and screw the screws in until the glass is snapped.

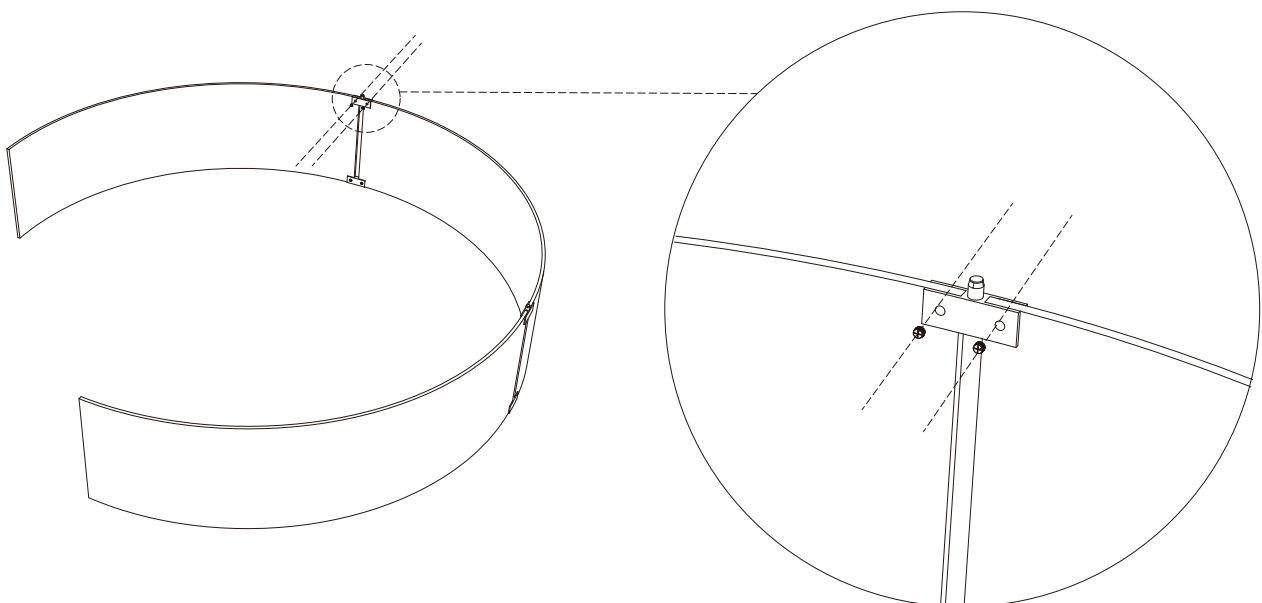
Note: Do not tighten the screws. Make sure the connector doesn't fall off the glass.



L013		x1	M1		x1	N		x2
------	---	----	----	---	----	---	---	----

Step4: Insert the bottom connector(M2) between the two pieces of glass and lock the screws.

Note: Do not tighten the screws. Make sure the connector doesn't fall off the glass.

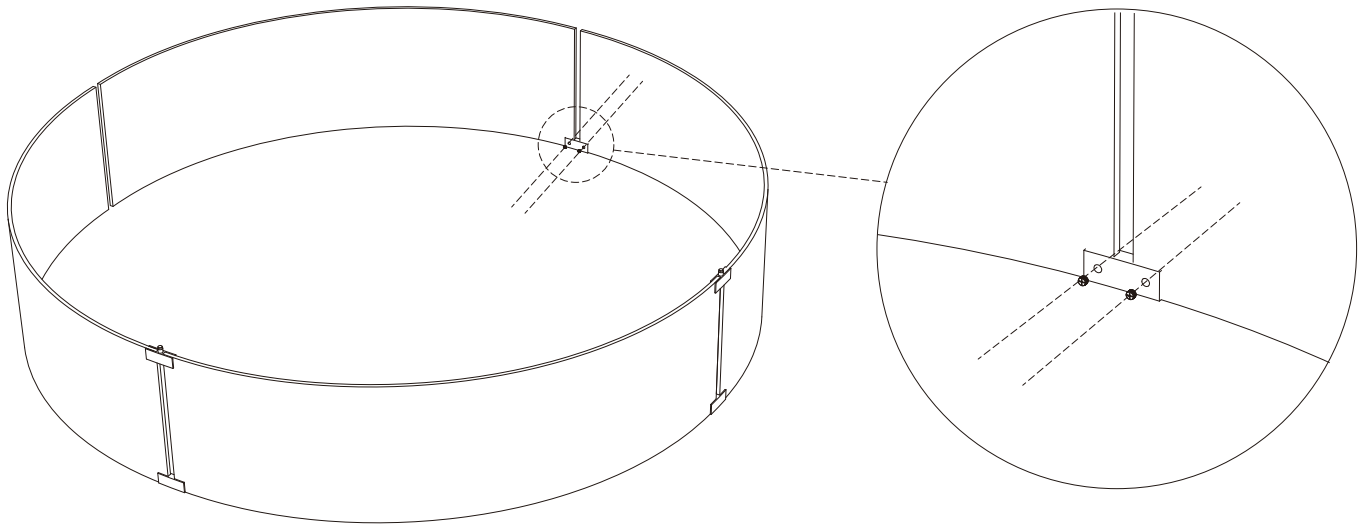


M2		x1	N		x2
----	---	----	---	---	----

Installation steps

Step5:Secure the last piece of glass(L001) to the previously fixed glass with the top connector(M1).

Note: Do not tighten the screws.Make sure the connector doesn't fall off the glass.

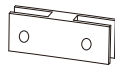


L001



x1

M1



x1

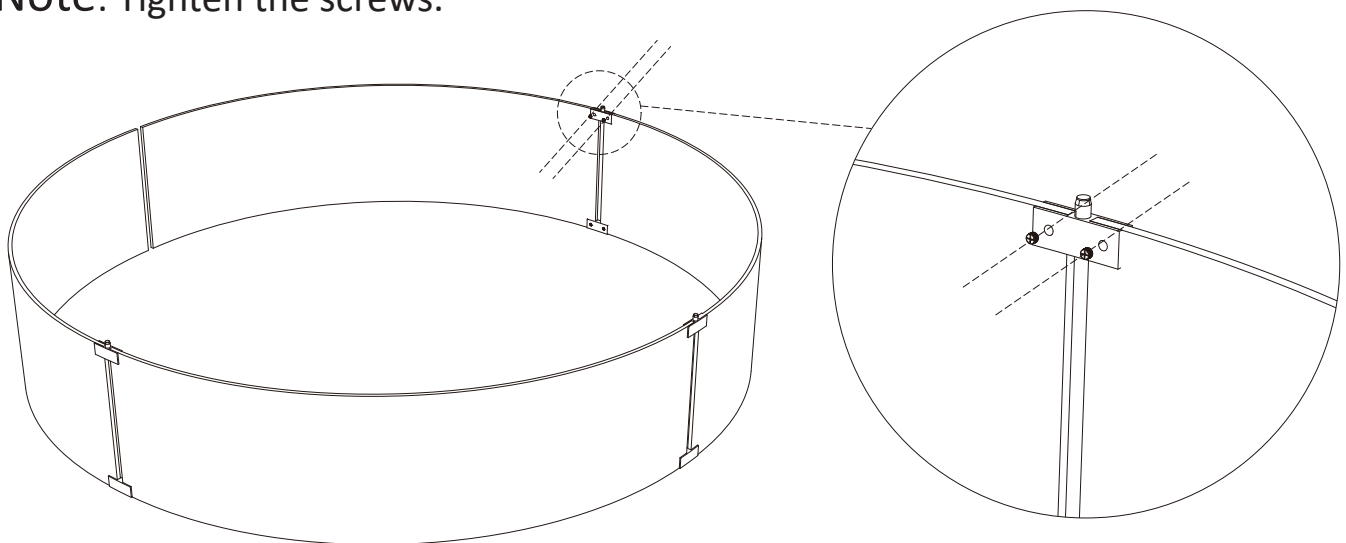
N



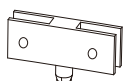
x2

Step6:Insert the glass(L001) into the fixed connector and lock it with screws.

Note: Tighten the screws.



M2



x1

N



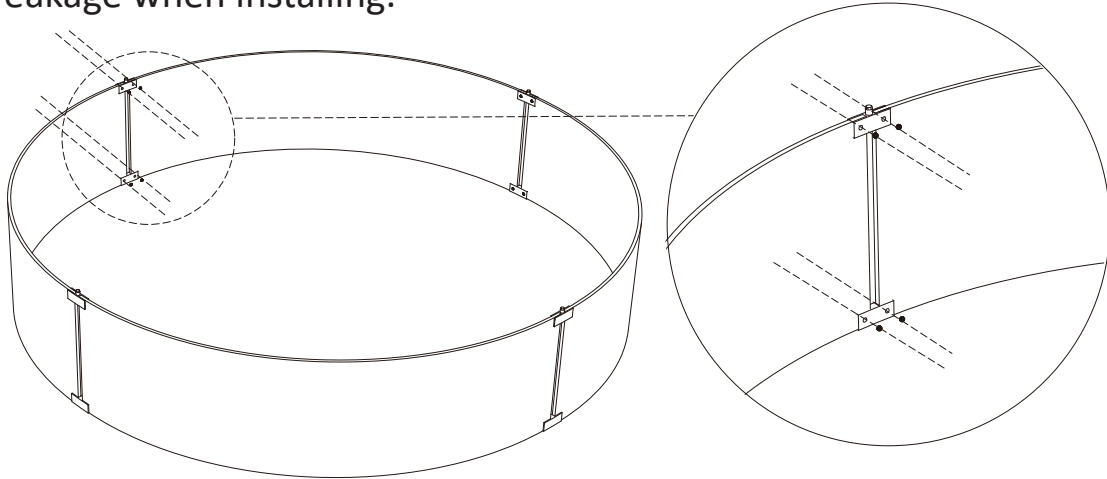
x2

Installation steps

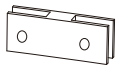
Step7:Secure the entire glass with top and bottom connectors(M1,M2).

Note: Tighten the screws.(The screws need to be tightened gently to prevent the glass from breaking.)

Warning:When installing the top and bottom connectors of the last piece of glass, you need to use a little force to form the glass into a circle, and be careful of glass breakage when installing.

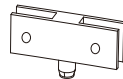


M1



x1

M2



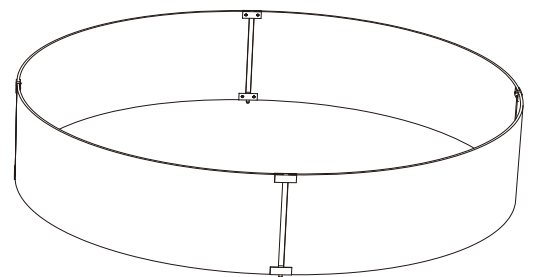
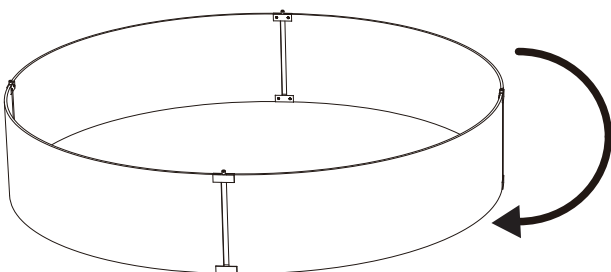
x1

N



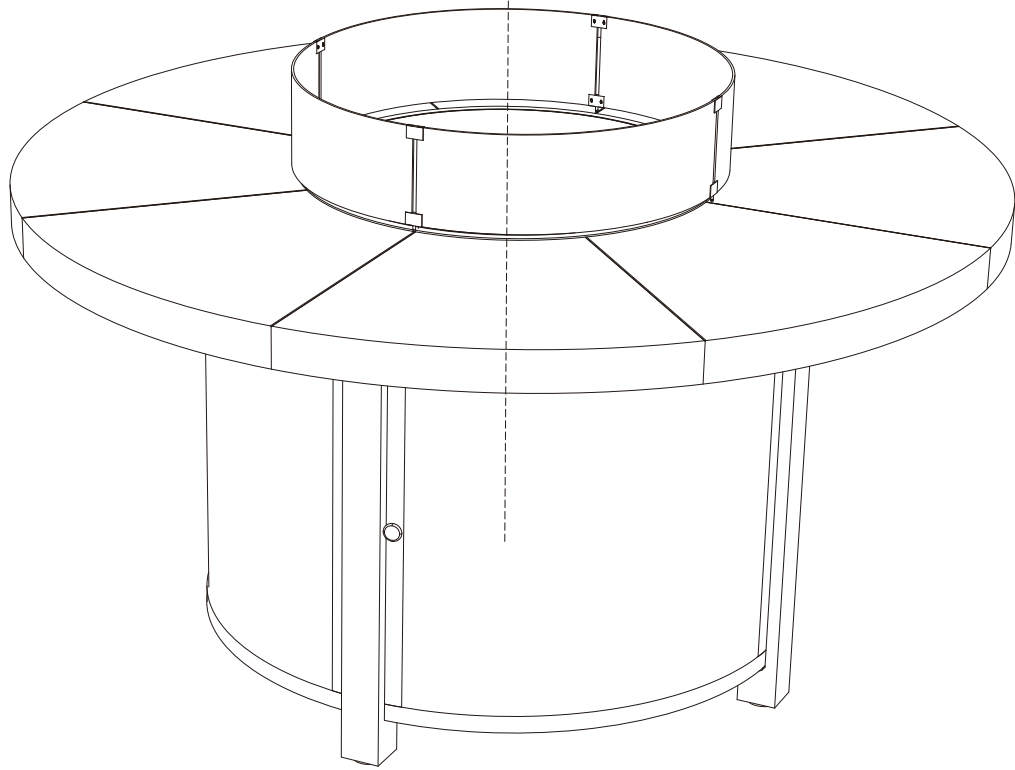
x4

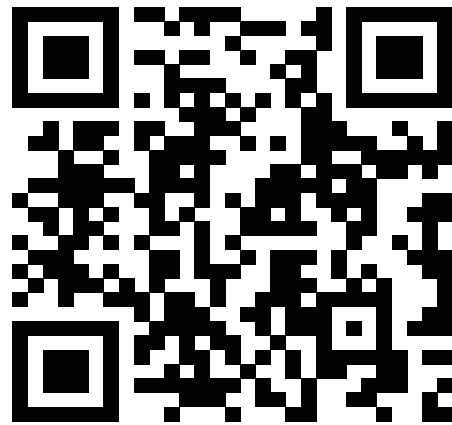
Step8:Flip the glass cover over so that the connector with the foot pad is underneath.



Installation steps

Step 9: Place the wind guard glass on the fire pit table.





www.alaulm.com

Make your life much better.