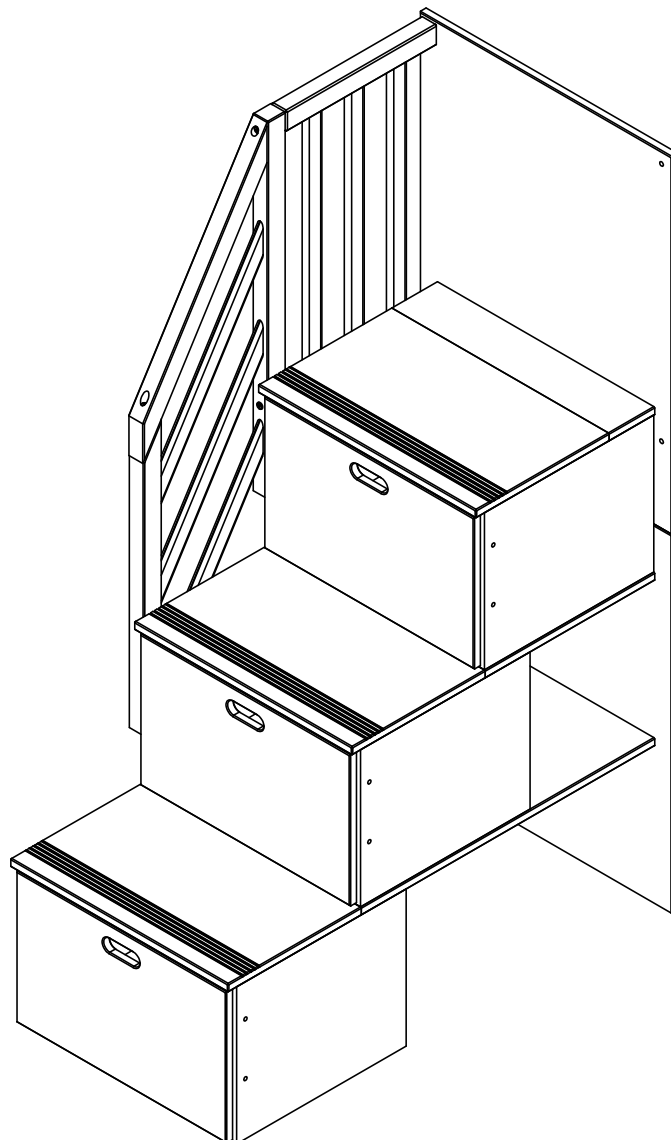


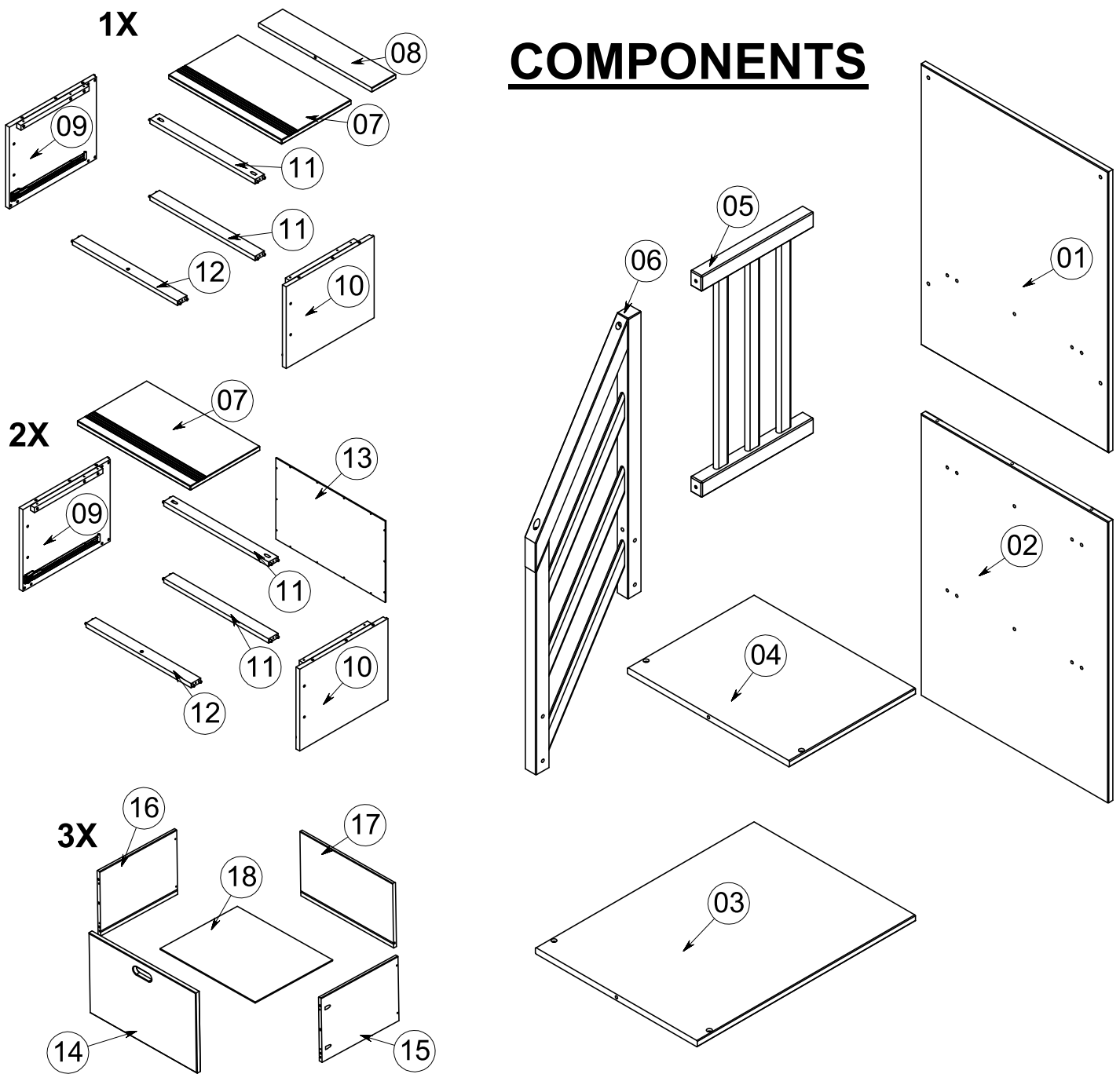
Thank you for purchasing. We hope you get years of enjoyment from your new bed. The unique brushing process highlights the woods natural grain. All our wood is planta on gown. No two pieces of wood are the same, enjoy the natural beauty of wood, every piece of wood has unique grain and color and knots, these differences in texture and color create the look only solid wood provides.

The success or failure of a product sold on the internet is a direct reflec on of positive or negative reviews. We would be grateful if you could post a positive review and help this products success, thank you for your help.

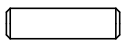

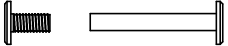

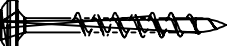
## **STAIRWAY**


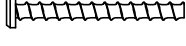
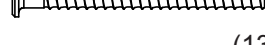
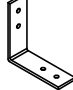
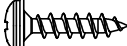
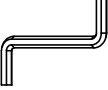


# COMPONENTS



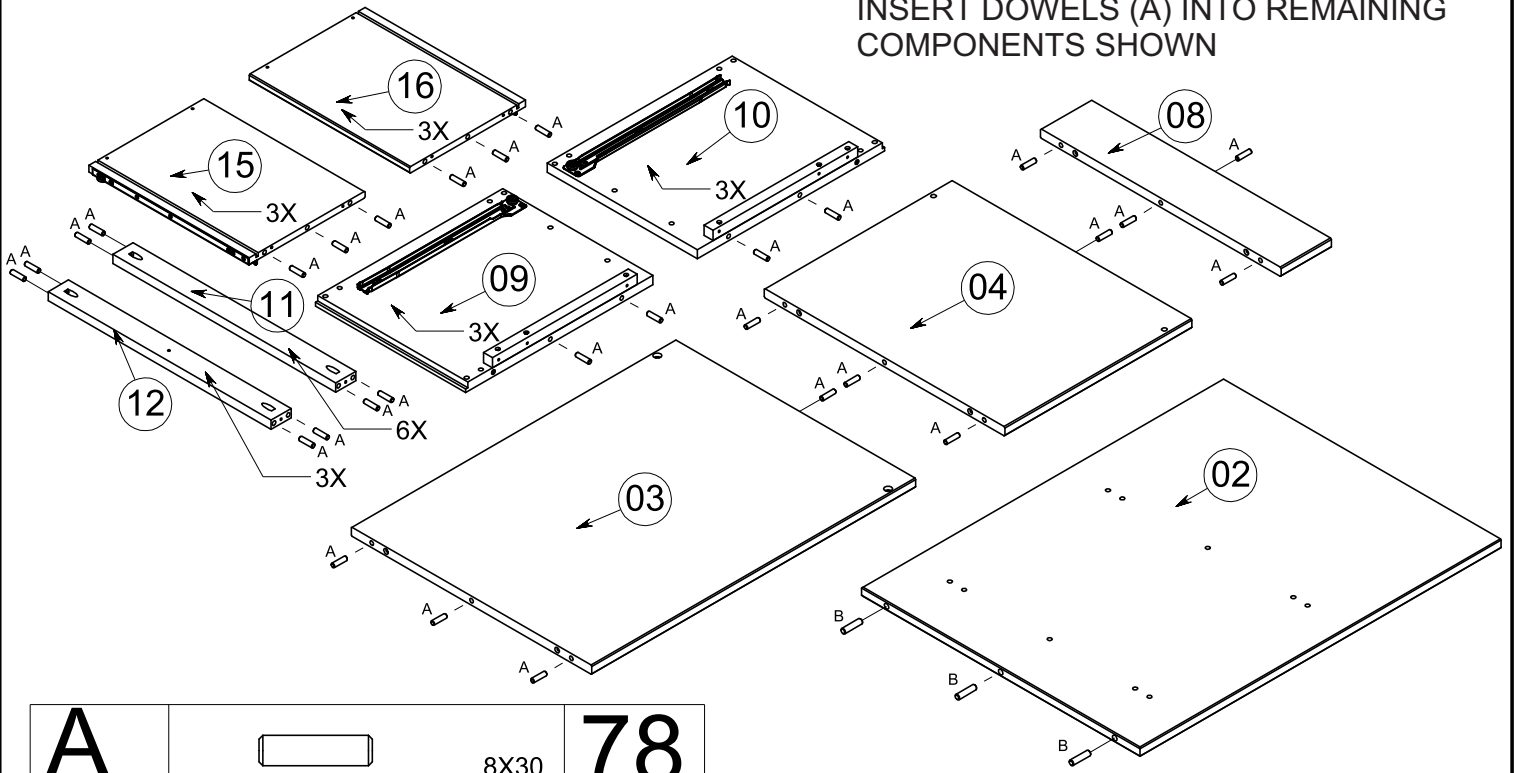
# HARDWARE

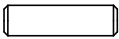
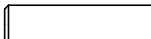
<b>A</b>		8X30	<b>78</b>
<b>B</b>		10X40	<b>03</b>
<b>C</b>		(13) 3/16X50	<b>04</b>
<b>D</b>		CC 3,5x16	<b>08</b>
<b>E</b>		CP 3,5x30	<b>58</b>

<b>F</b>		(13) 7X50	<b>12</b>
<b>G</b>		(13) 7X70	<b>01</b>
<b>H</b>		(13) 7X100	<b>01</b>
<b>I</b>		75X75X25	<b>02</b>
<b>J</b>		CF 3,5x16	<b>28</b>
<b>L</b>			<b>02</b>

# STEP 1

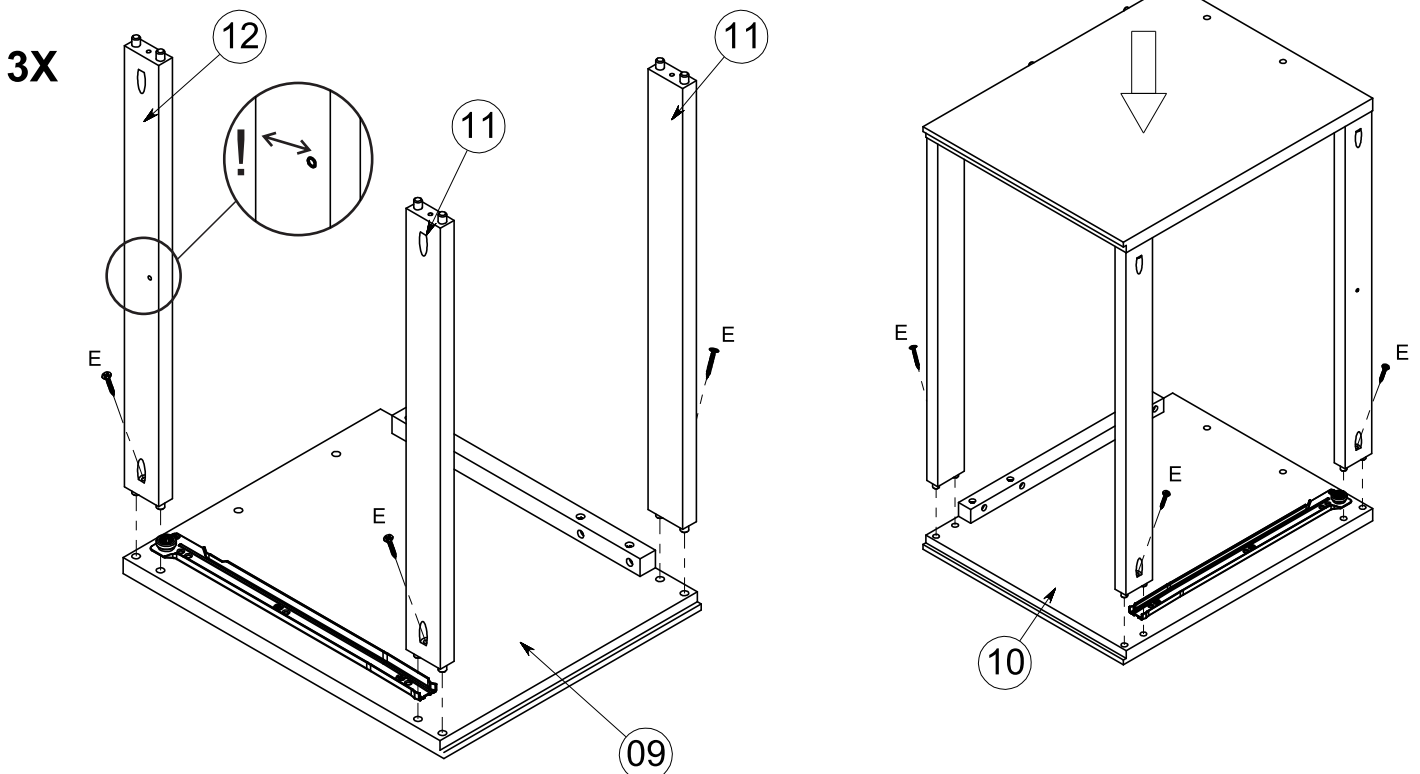
INSERT DOWELS (B) INTO PANEL (02)  
THEN  
INSERT DOWELS (A) INTO REMAINING  
COMPONENTS SHOWN

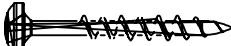


<b>A</b>		8X30	<b>78</b>
<b>B</b>		10X40	<b>03</b>

# STEP 2

INSERT BOARDS (11X2, 12) INTO SIDE PANEL (09). TIGHTEN WITH SCREW (E).  
THEN FLIP AND INSERT TO SIDE PANEL (10). TIGHTEN WITH SCREW (E).

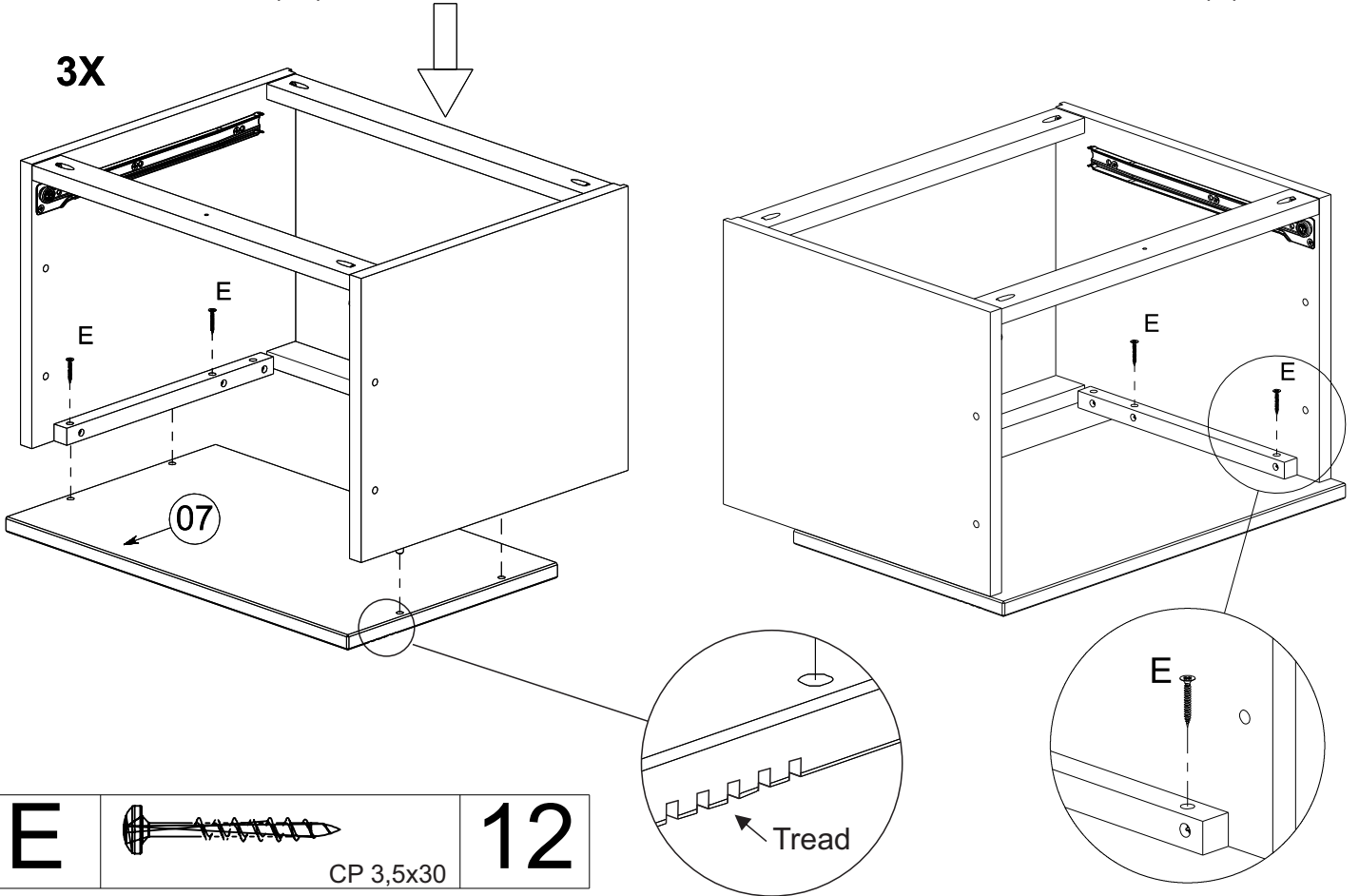


<b>E</b>		CP 3,5x30	<b>18</b>
----------	---	-----------	-----------

### STEP 3

ATTACH TOP (07) TO DRAWER BOX BUILT IN STEP 2. TIGHTEN WITH SCREW (E)

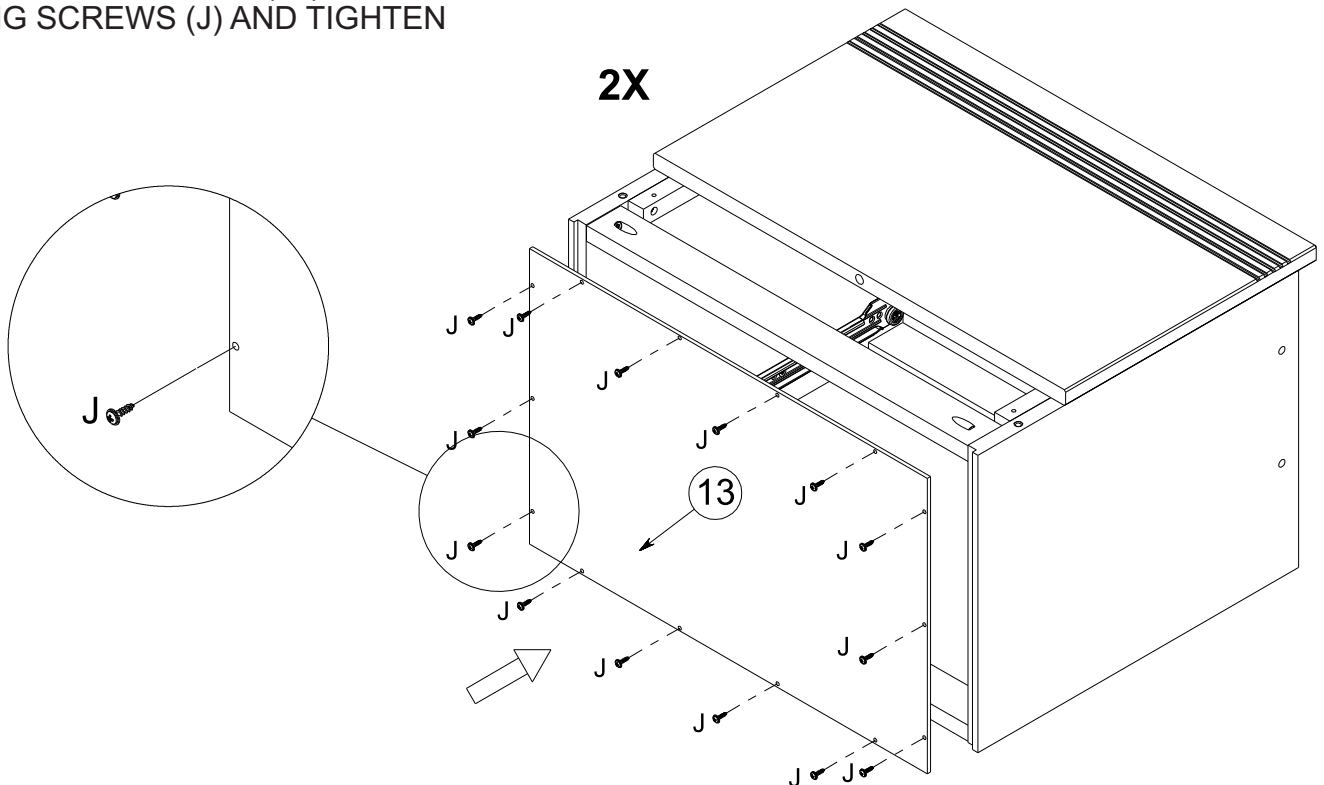
3X



### STEP 4

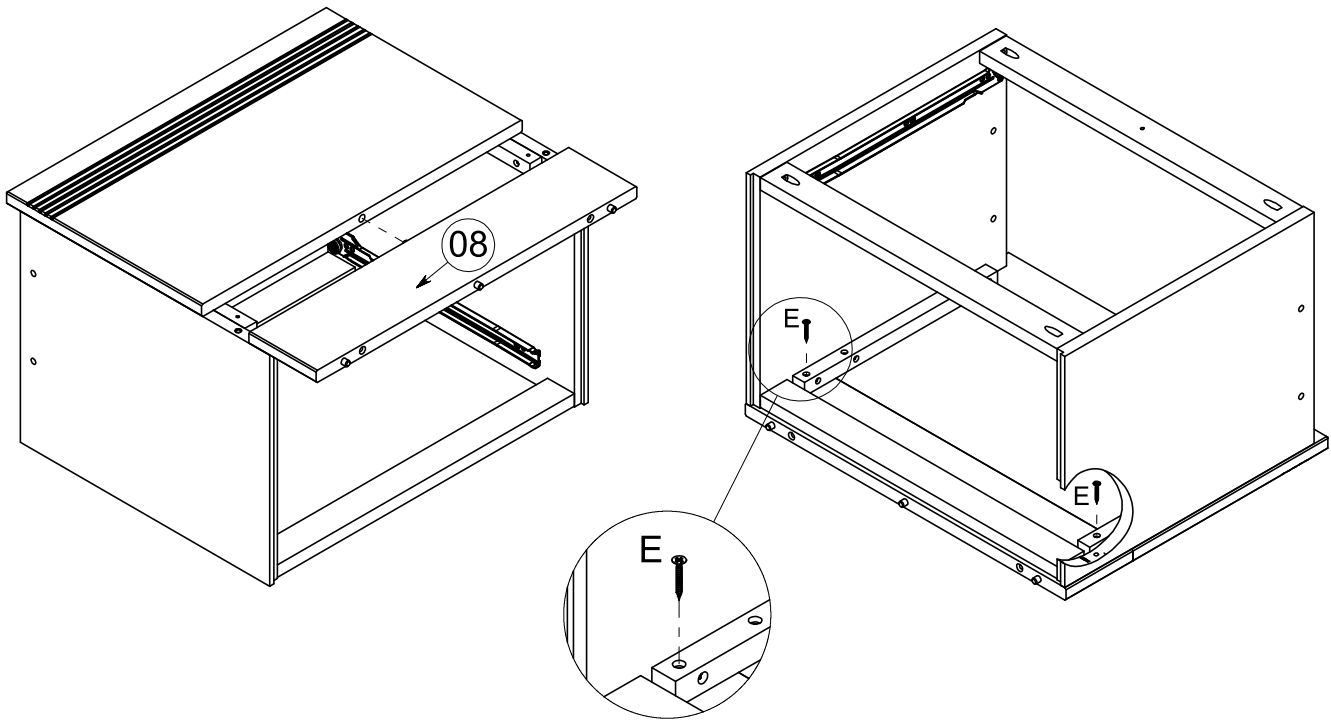
ATTACH BACK PANEL (13) TO DRAWER BOX USING SCREWS (J) AND TIGHTEN

2X

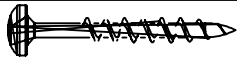


## STEP 5

ATTACH BOARD (08) TO DRAWER BOX USING SCREWS (E).



**E**

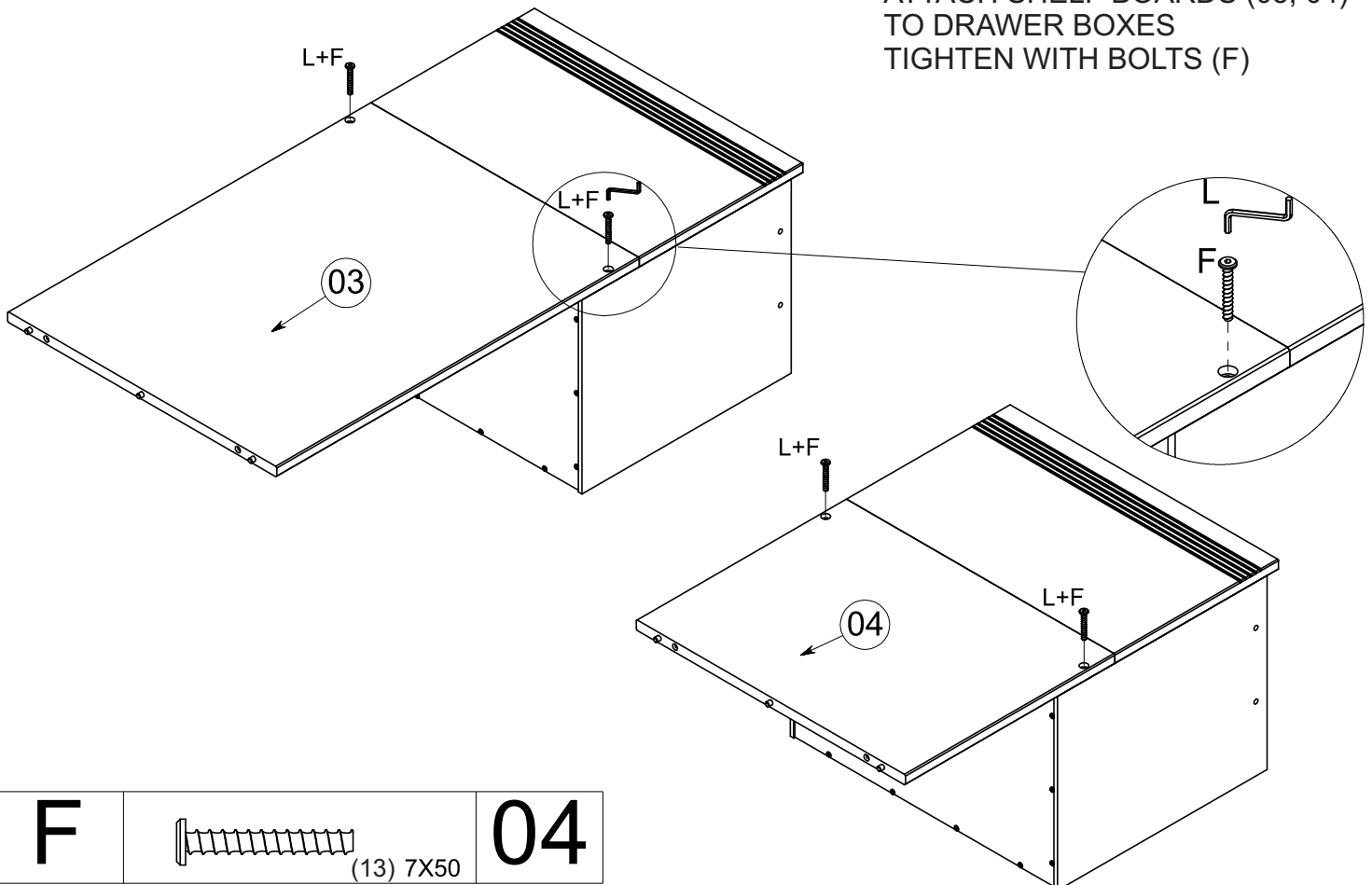


CP 3,5x30

**02**

## STEP 6

ATTACH SHELF BOARDS (03, 04) TO DRAWER BOXES TIGHTEN WITH BOLTS (F)



**F**

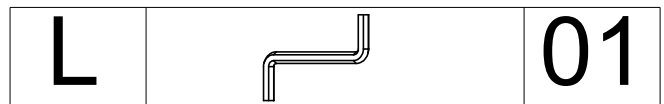
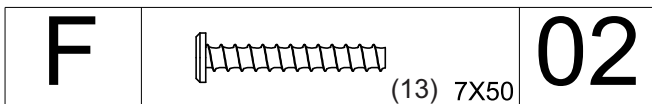
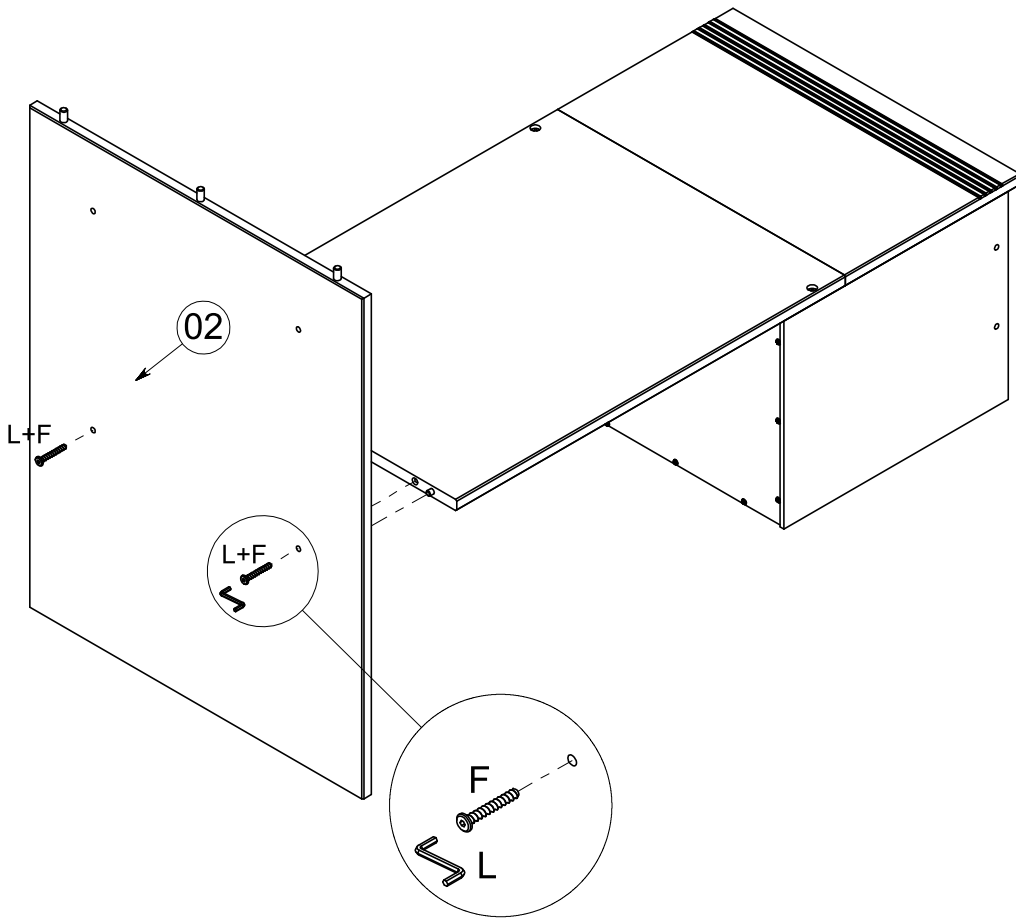


(13) 7X50

**04**

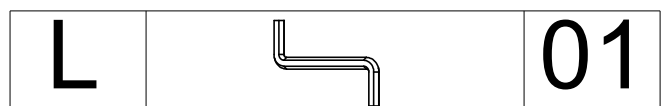
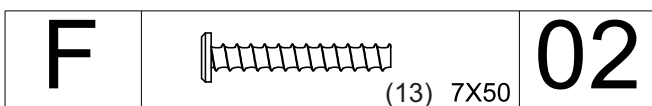
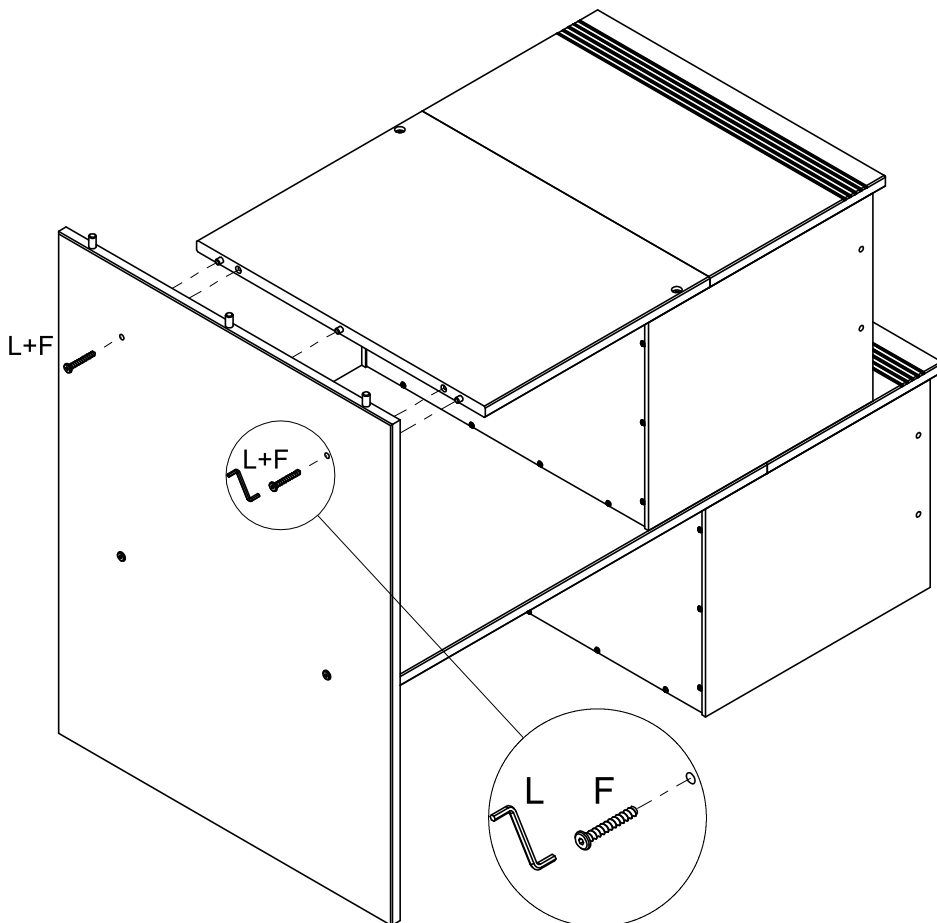
## STEP 7

ATTACH PANEL (02) TO  
SHELF BOARD (03)  
TIGHTEN WITH BOLTS (F)



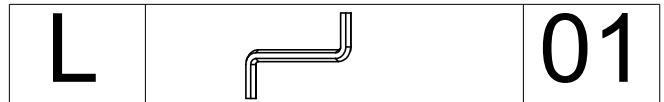
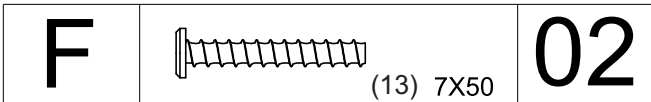
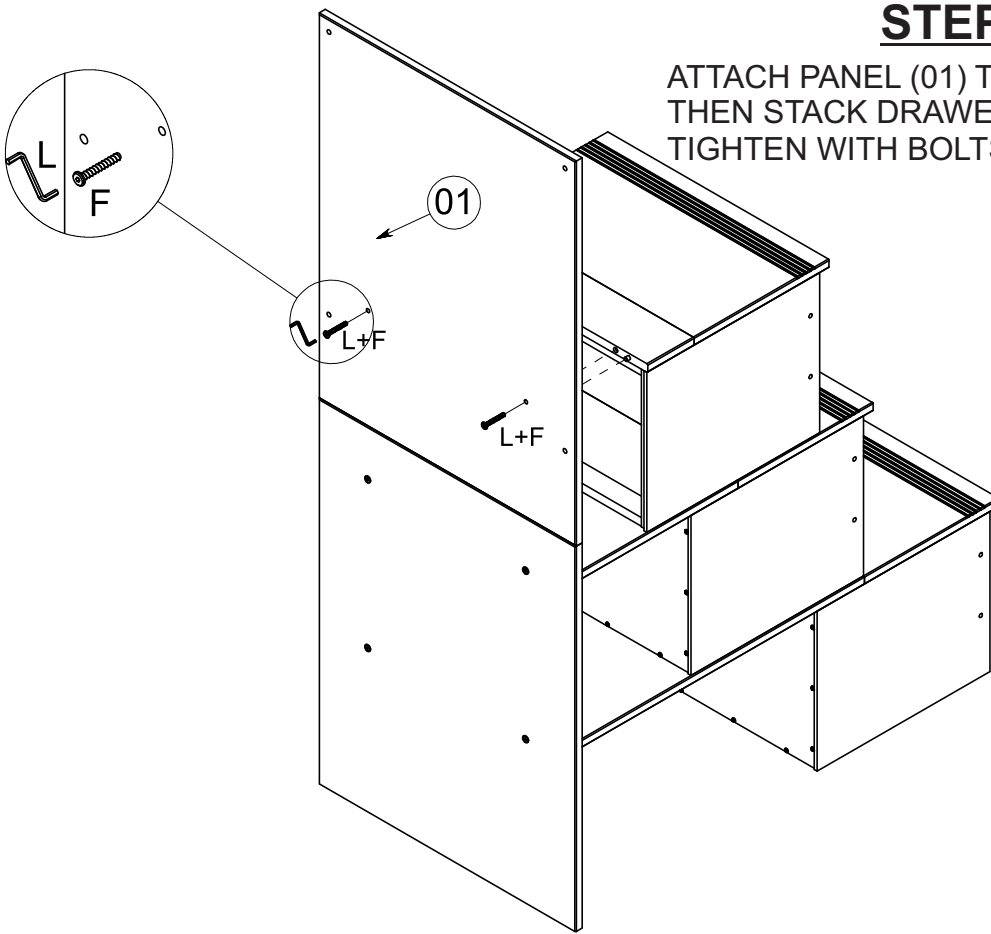
## STEP 8

STACK DRAWER BOX WITH  
SHELF BOARD (04)  
ATTACH TO PANEL (02)  
TIGHTEN WITH BOLTS (F)



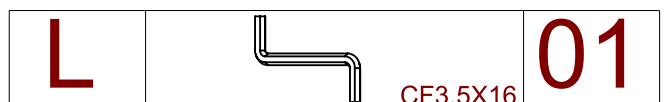
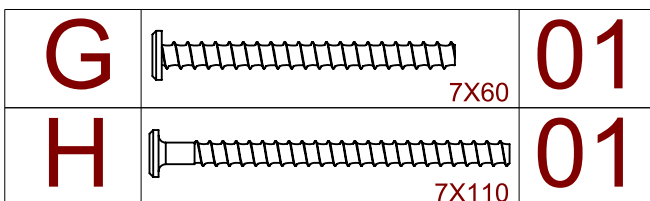
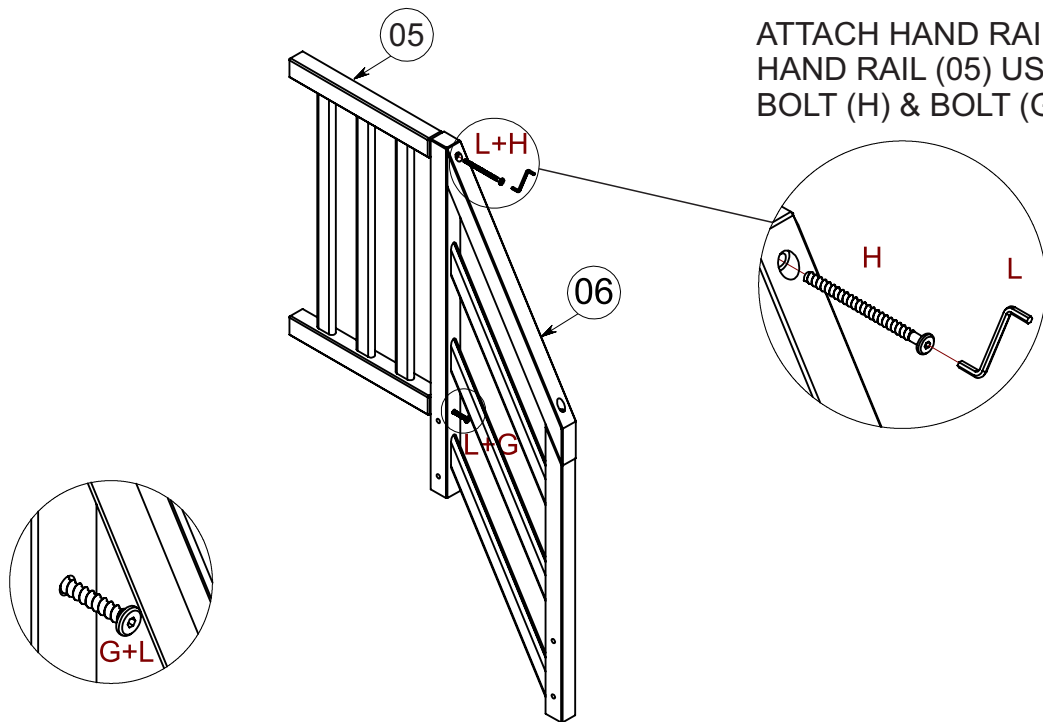
## STEP 9

ATTACH PANEL (01) TO THE TOP OF PANEL (02)  
THEN STACK DRAWER BOX WITH BOARD (08)  
TIGHTEN WITH BOLTS (F)



## STEP 10

ATTACH HAND RAIL (06) TO  
HAND RAIL (05) USING  
BOLT (H) & BOLT (G). TIGHTEN

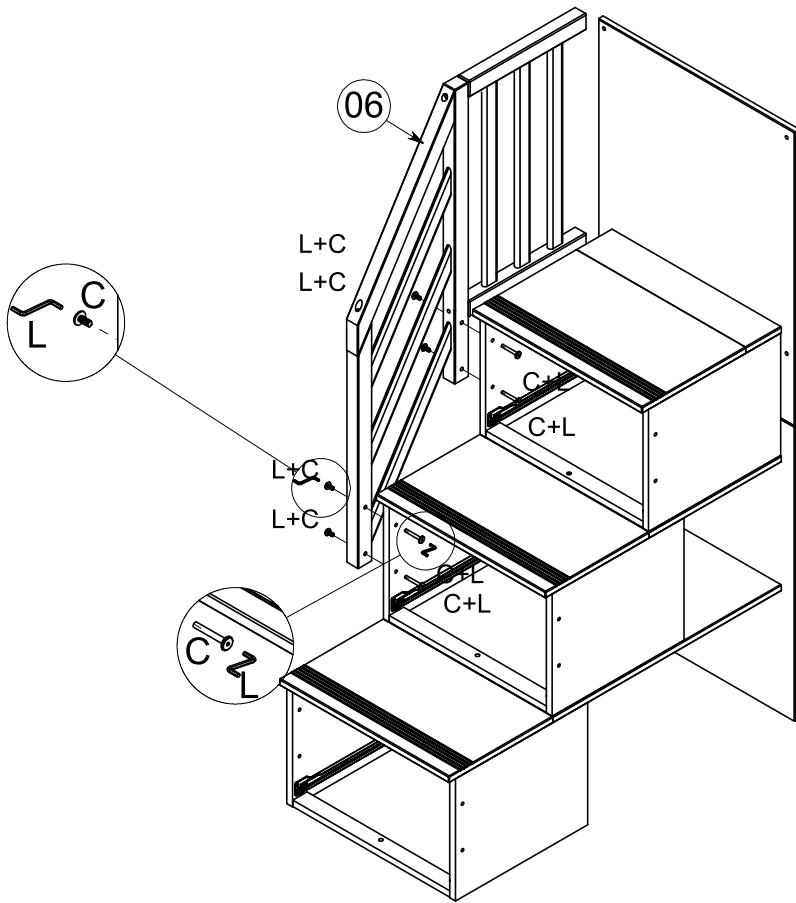


## STEP 11

ATTACH HAND RAIL (06) TO THE MIDDLE & TOP DRAWER BOX USING SLEEVE BOLTS (C)

### ATTENTION

HAND RAIL CAN ATTACH TO EITHER LEFT OR RIGHT OF STAIRCASE



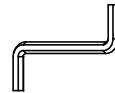
C



(13) 3/16X50

04

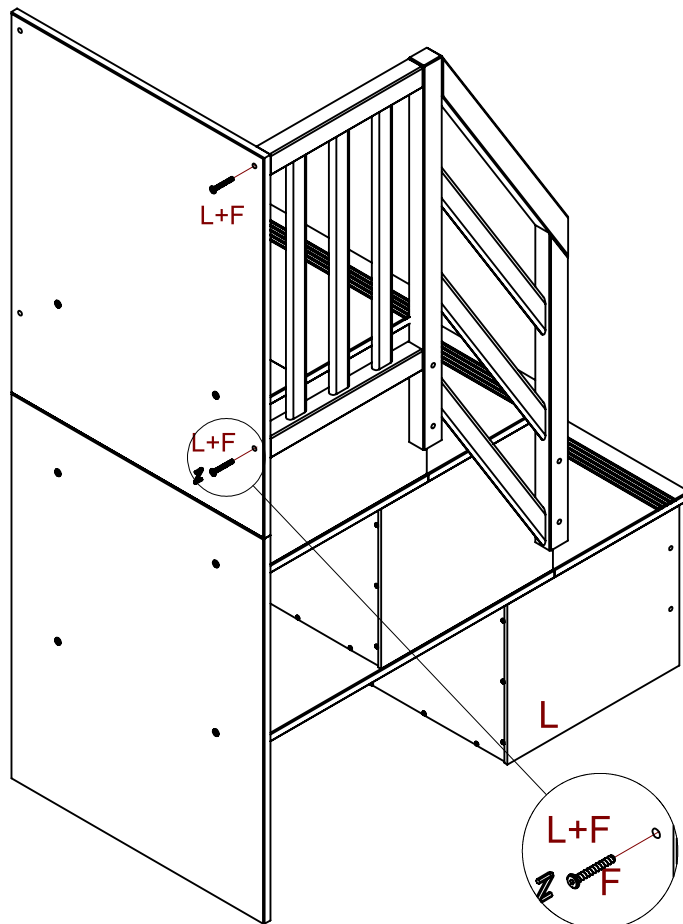
L



02

## STEP 12

ATTACH HAND RAIL (05) TIGHTEN WITH BOLTS (F)



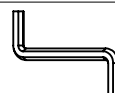
F



7X50

02

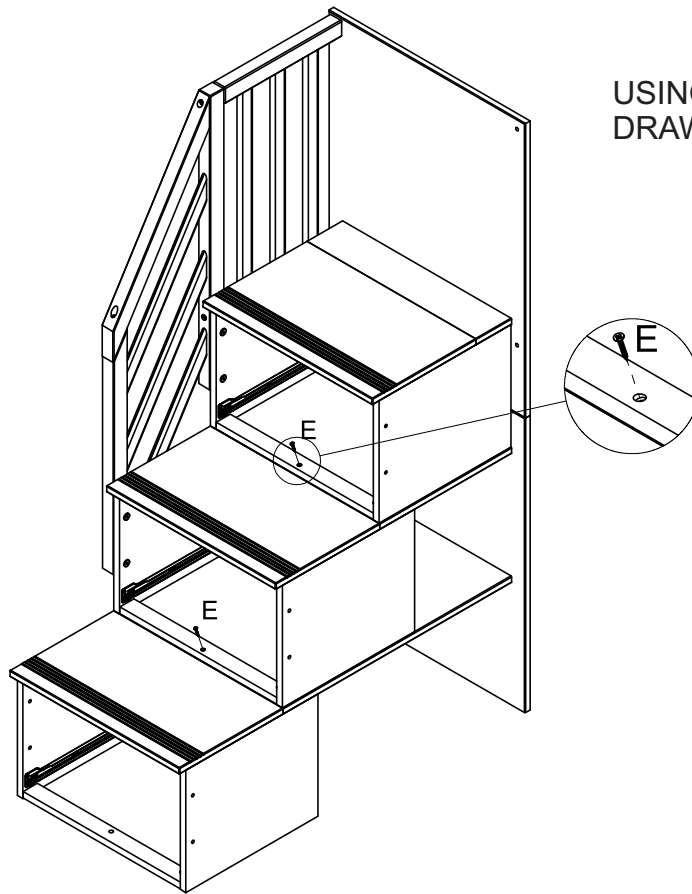
L



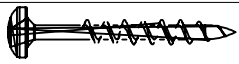
01

## STEP 13

USING SCREWS (E) ATTACH  
DRAWER BOXES TOGETHER)



E

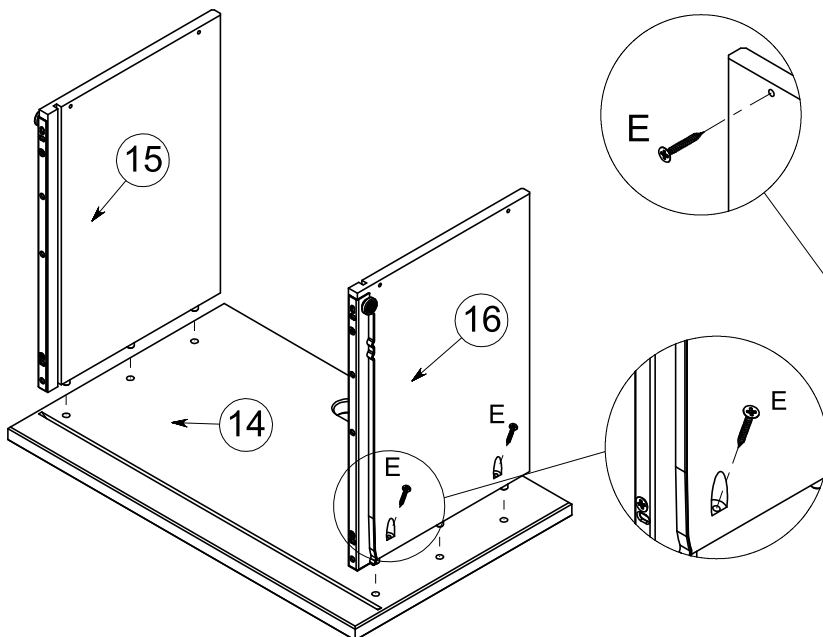


CP 3,5x30

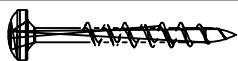
02

## STEP 14

ATTACH DRAWER SIDES (15,16) TO  
DRAWER FACE(14).  
TIGHTEN WITH SCREWS (E)



E

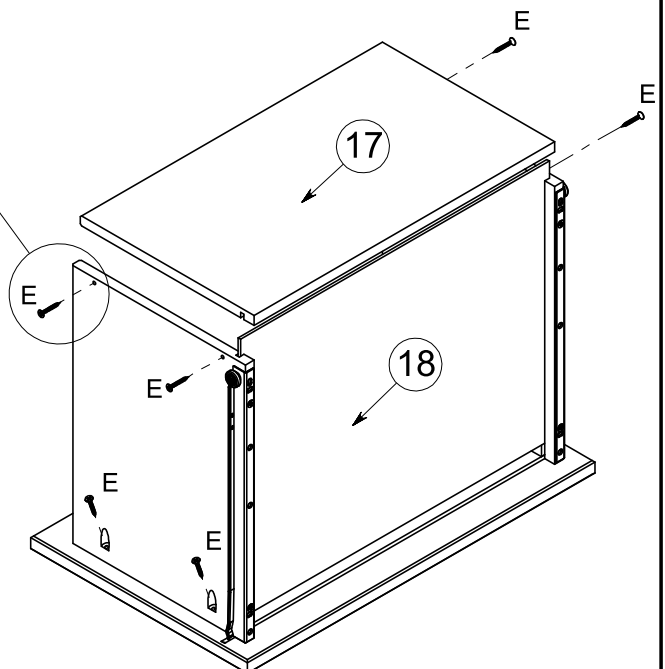


CP 3,5x30

24

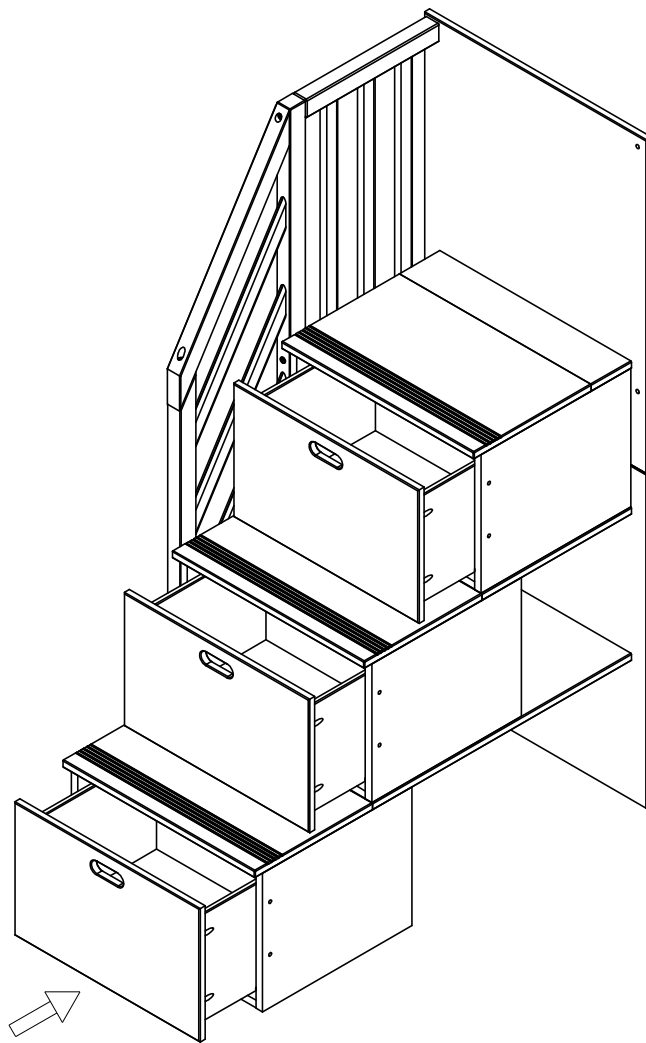
## STEP 15

INSERT DRAWER BOTTOM (18) INTO GROOVE  
IN DRAWER SIDES & FACE.  
ALIGN GROOVE IN DRAWER BACK (17) WITH  
DRAWER BOTTOM. TIGHTEN WITH SCREWS (E)



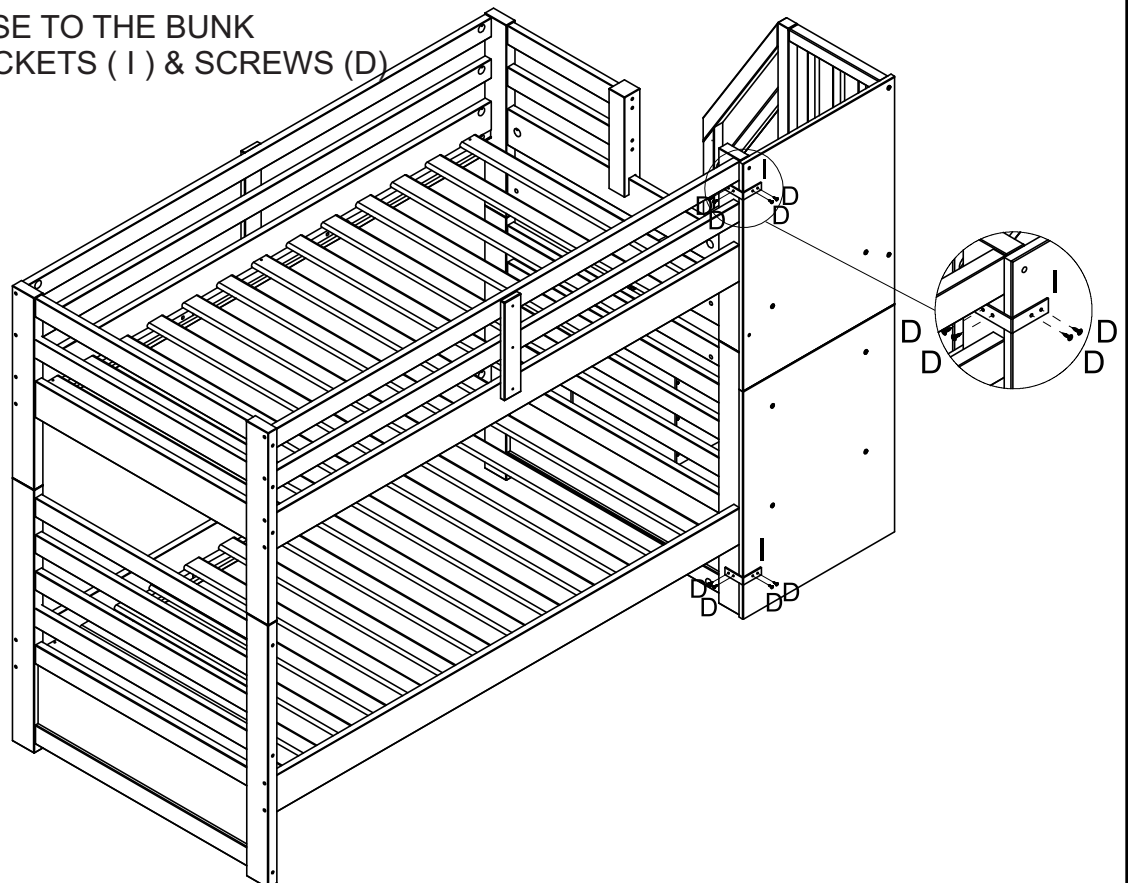
## STEP 16

INSERT DRAWERS INTO THE DRAWER BOXES



## STEP 17

ATTACH THE STAIRCASE TO THE BUNK BY USING ANGLE BRACKETS (I) & SCREWS (D)



I



75X75X25

02

D



CF3,5X16

08