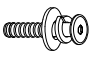
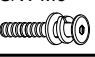

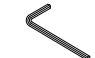
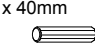


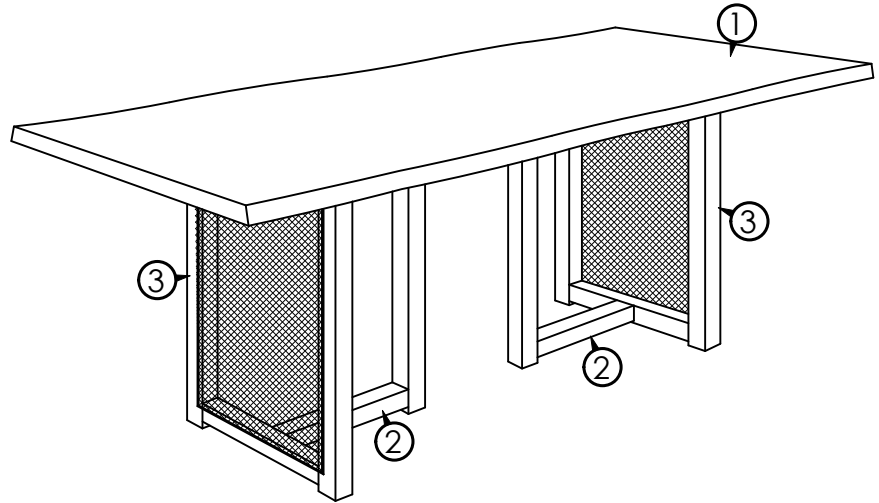
ASSEMBLY INSTRUCTIONS

IMPORTANT NOTE :

- * PLACE ALL WOODEN PARTS ON A CLEAN AND SMOOTH SURFACE SUCH AS A RUG OR CARPET TO AVOID THE PARTS FROM BEING SCRATCHED.
- * BEFORE YOU BEGIN, KINDLY FOLLOW THE ASSEMBLY INSTRUCTIONS STEP BY STEP.

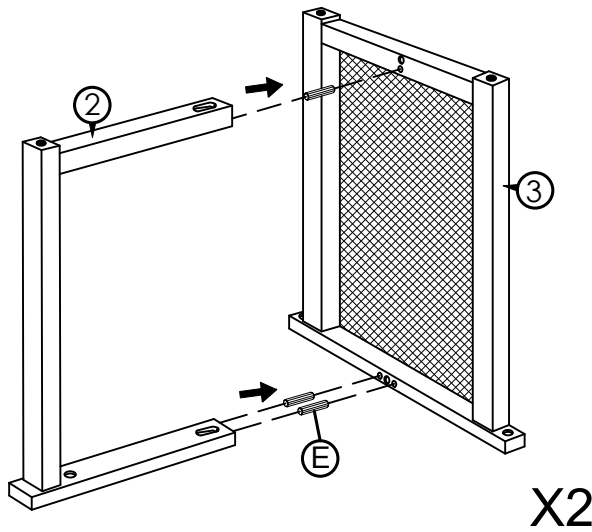
HARDWARE LIST		
A	JCBB M8 x 40mm + S/W 5/16" + F/W 5/16" x 22mm 	6PCS
B	JCBC M6 x 40mm + S/W M6 + F/W M6 x 13mm 	4PCS
C	ALLEN KEY M4 (Ball Shape) 	1PC
D	ALLEN KEY M5 	1PC
E	WOOD DOWEL M10 x 40mm 	6PCS

PART LIST		
1	TABLE TOP	1PC
2	TABLE LEG CENTER	2PCS
3	TABLE LEG SIDE	2PCS

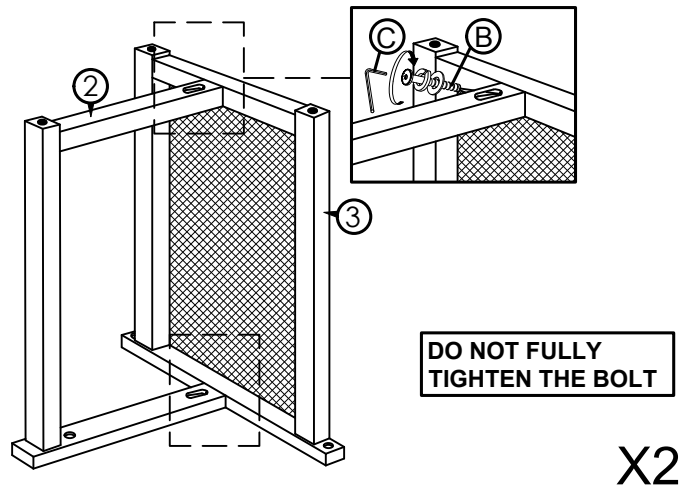


COMPLETED TABLE ASSEMBLY.

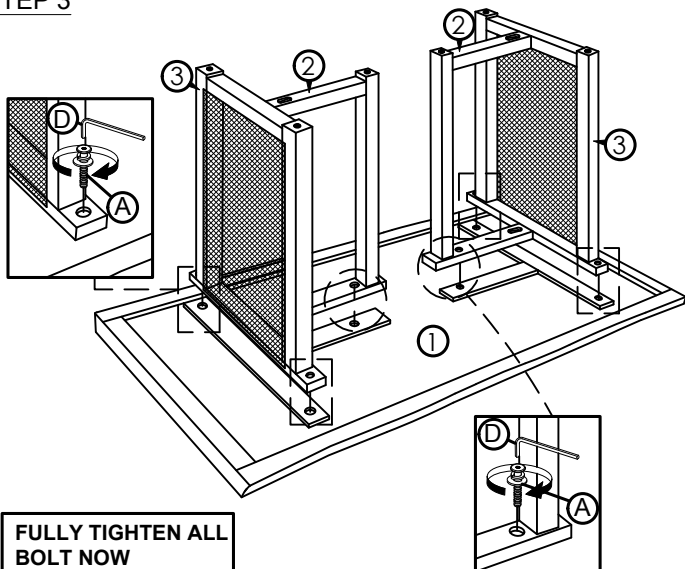
STEP 1



STEP 2



STEP 3



STEP 4

