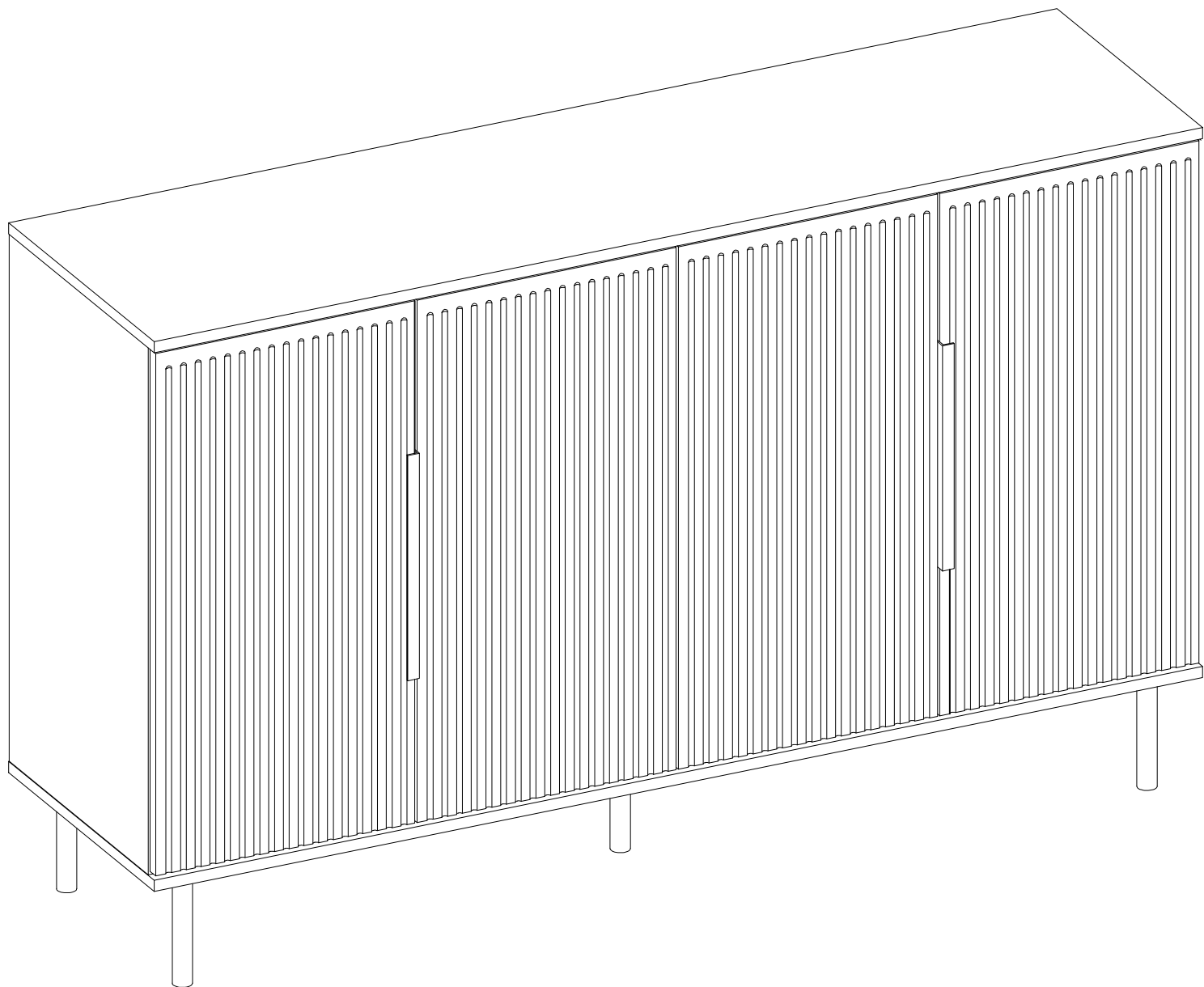
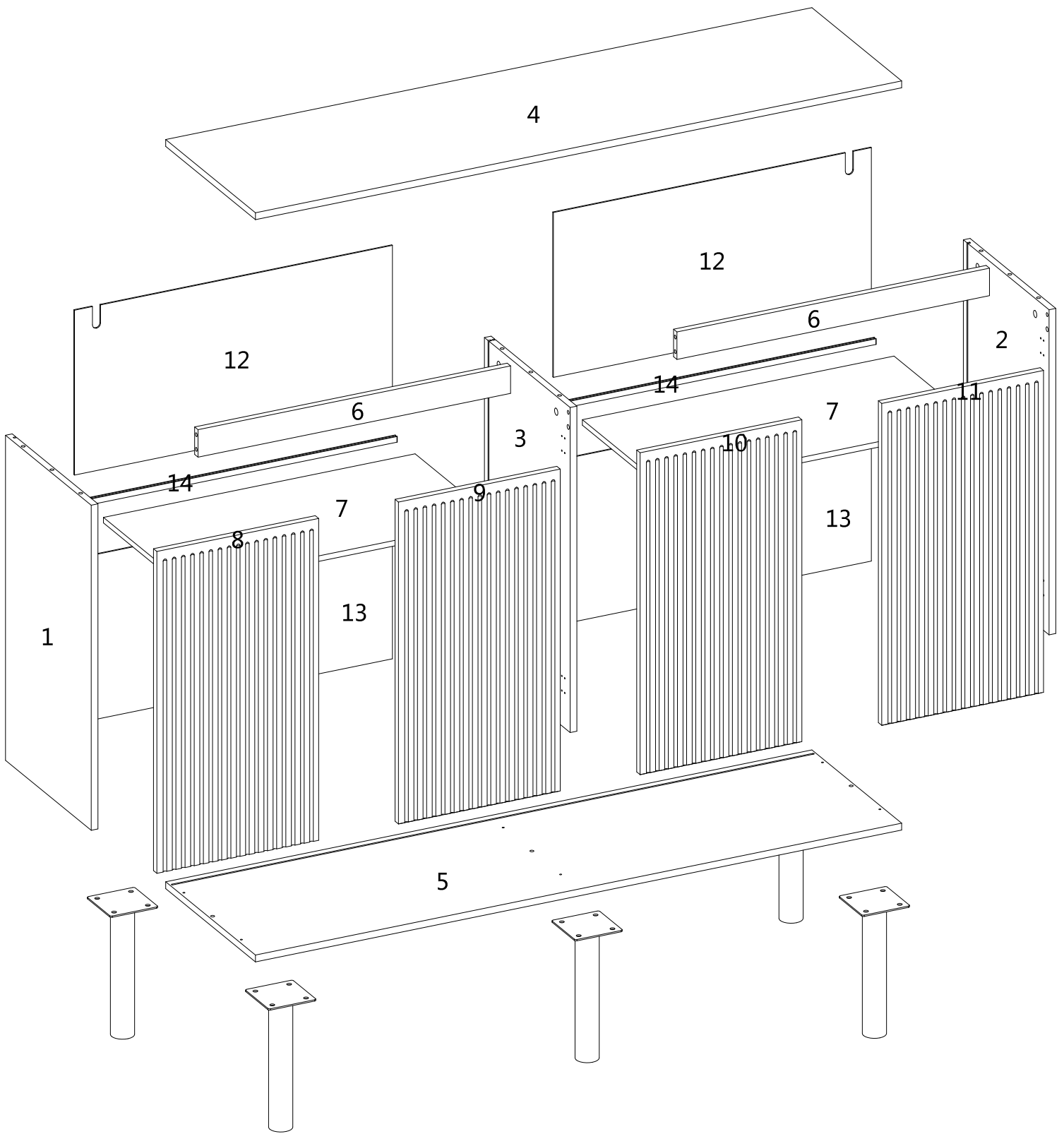
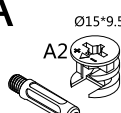
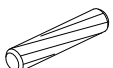
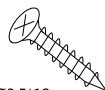
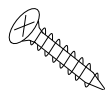
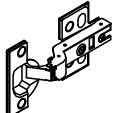
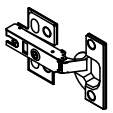
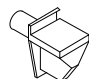
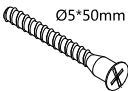
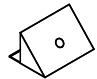
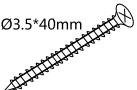

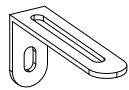
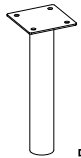





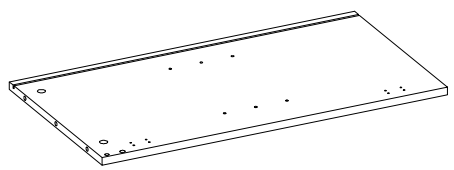
# Installation & Assembly





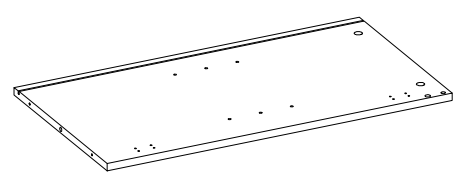
<b>A</b>  Ø15*9.5mm A2 Ø7*40mm A1 10PCS	<b>B</b>  Ø8*30mm 8PCS	<b>C</b>  Ø3.5*12mm 16PCS	<b>D</b>  Ø3.5*14mm 74PCS	<b>E</b>  4PCS	<b>F</b>  4PCS	<b>G</b>  8PCS	<b>H</b>  Ø5*50mm 6PCS
<b>J</b>  16PCS	<b>K</b>  Ø3.5*40mm 2PCS	<b>L</b>  2PCS	<b>M</b>  2PCS	<b>N</b>  5PCS	<b>O</b>  2PCS	<b>P</b>  16PCS	<b>Q</b>  Ø8*50mm 1PC

1



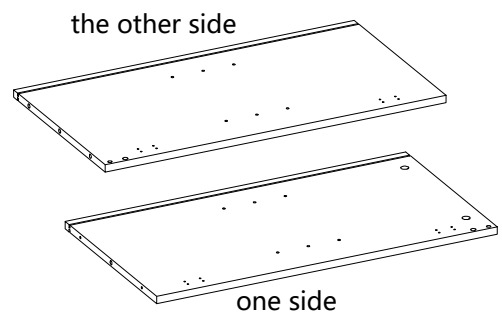
710\*382mm

2



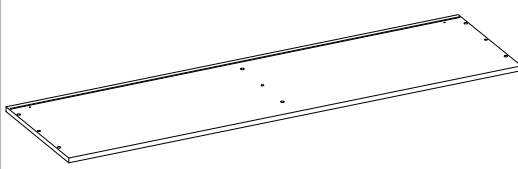
710\*382mm

3



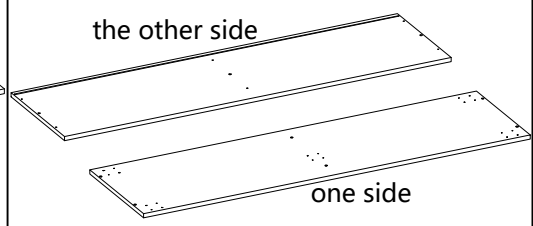
710\*382mm

4



1440\*400mm

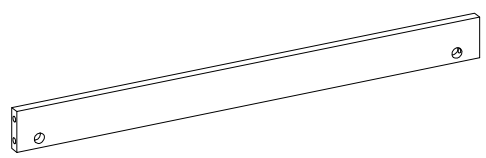
5



1440\*400mm

6

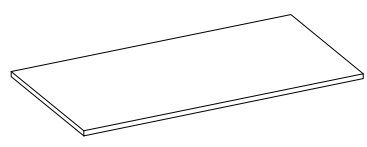
X2



696.5\*60mm

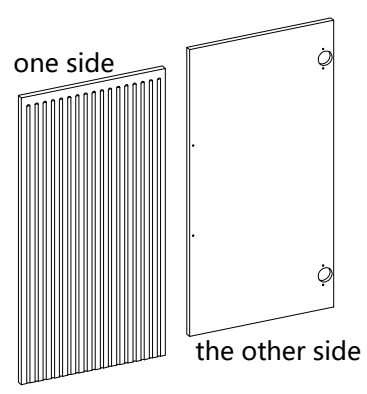
7

X2



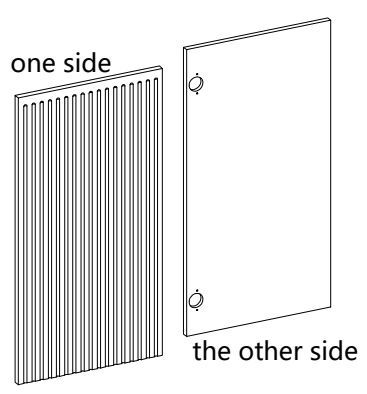
694\*360mm

8



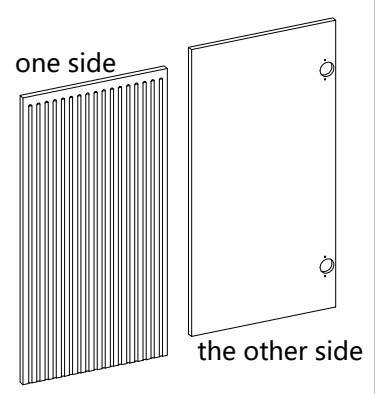
703\*356mm

9



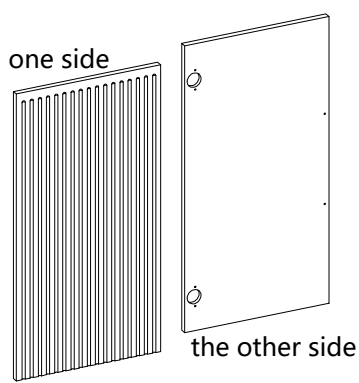
703\*356mm

10



703\*356mm

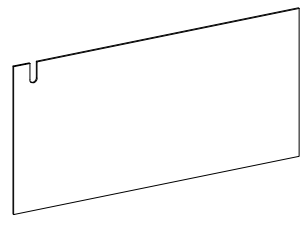
11



703\*356mm

12

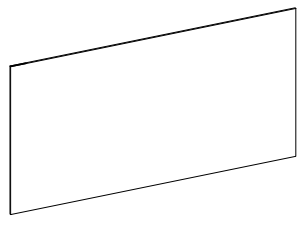
X2



706\*359mm

13

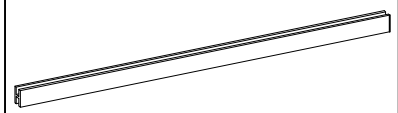
X2



706\*359mm

14

X2



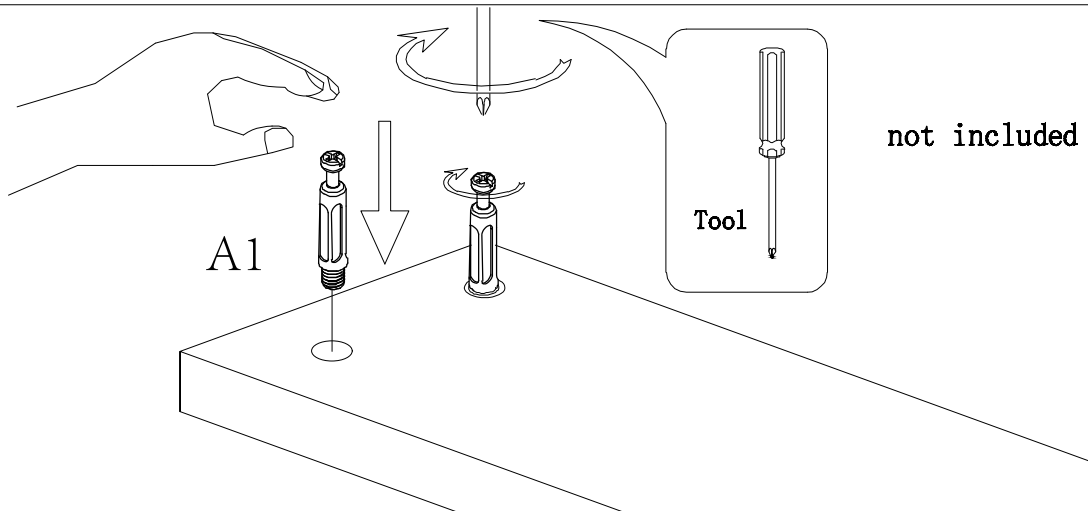
L=694mm

# Hardware installation demonstration

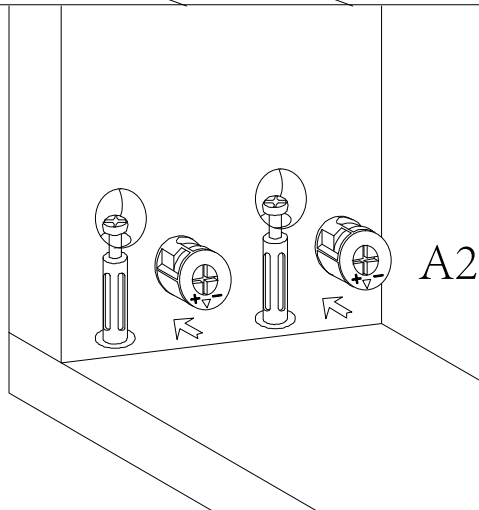


NOTE: Please make sure "A1" hardware tightened and can't be pulled out!

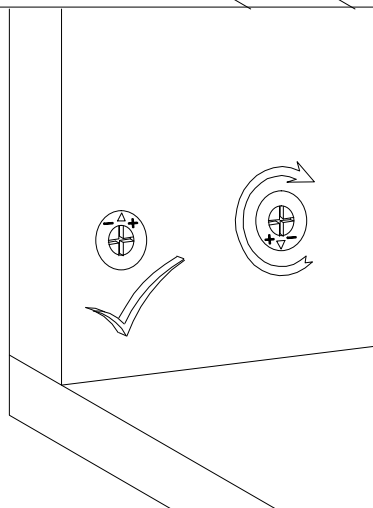
I



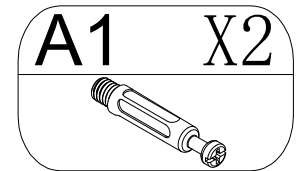
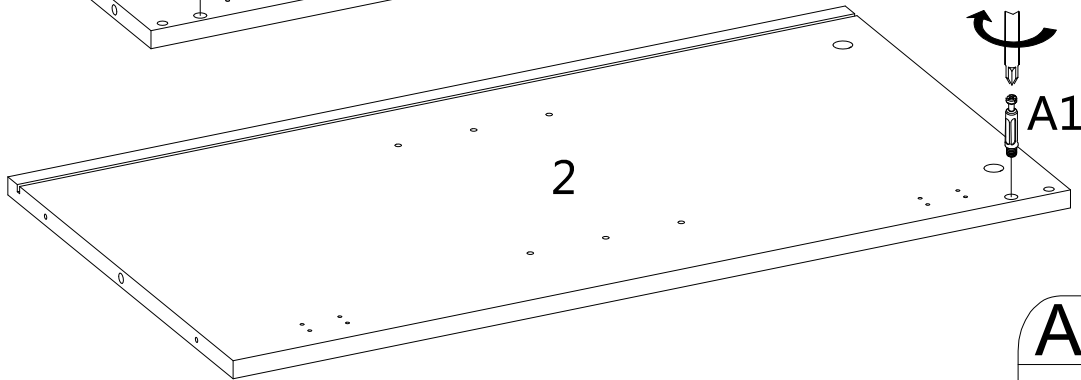
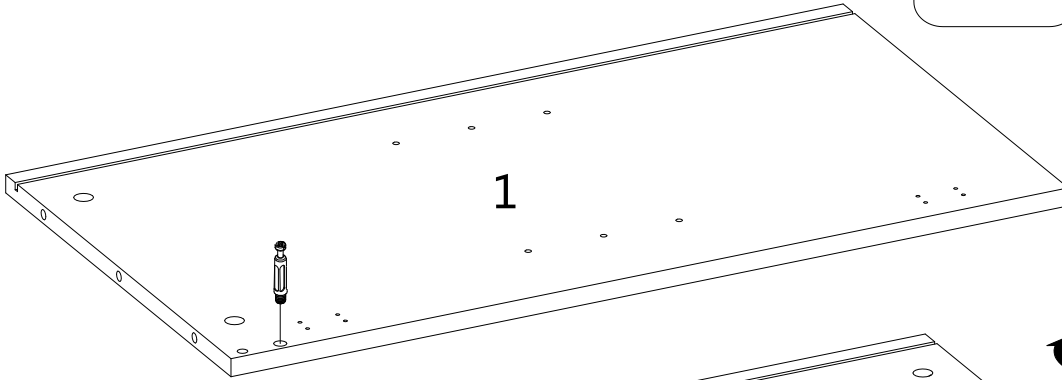
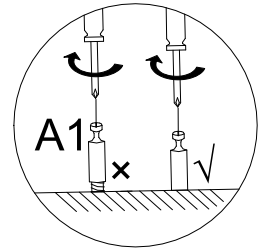
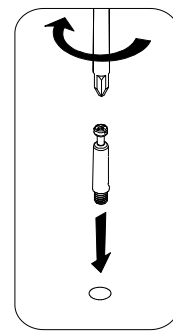
II



III

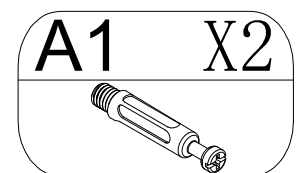
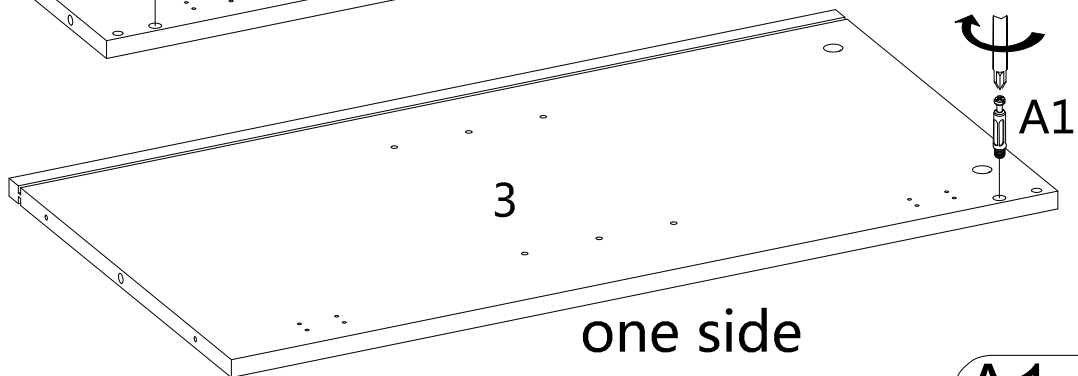
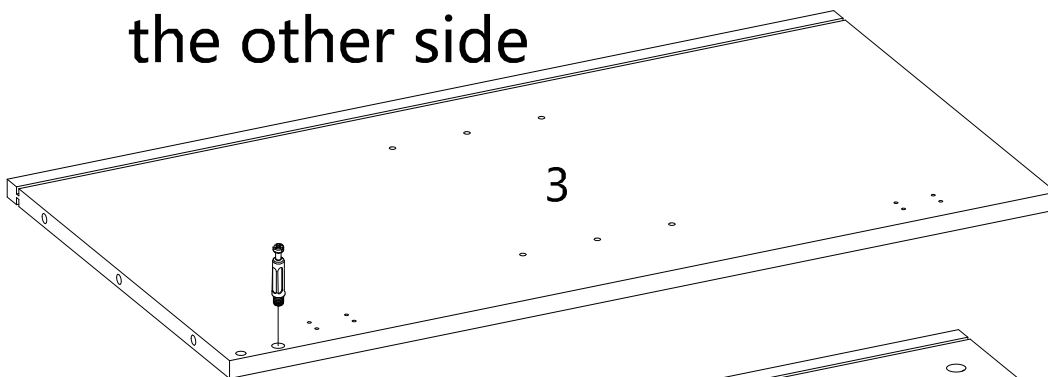


# STEP 1

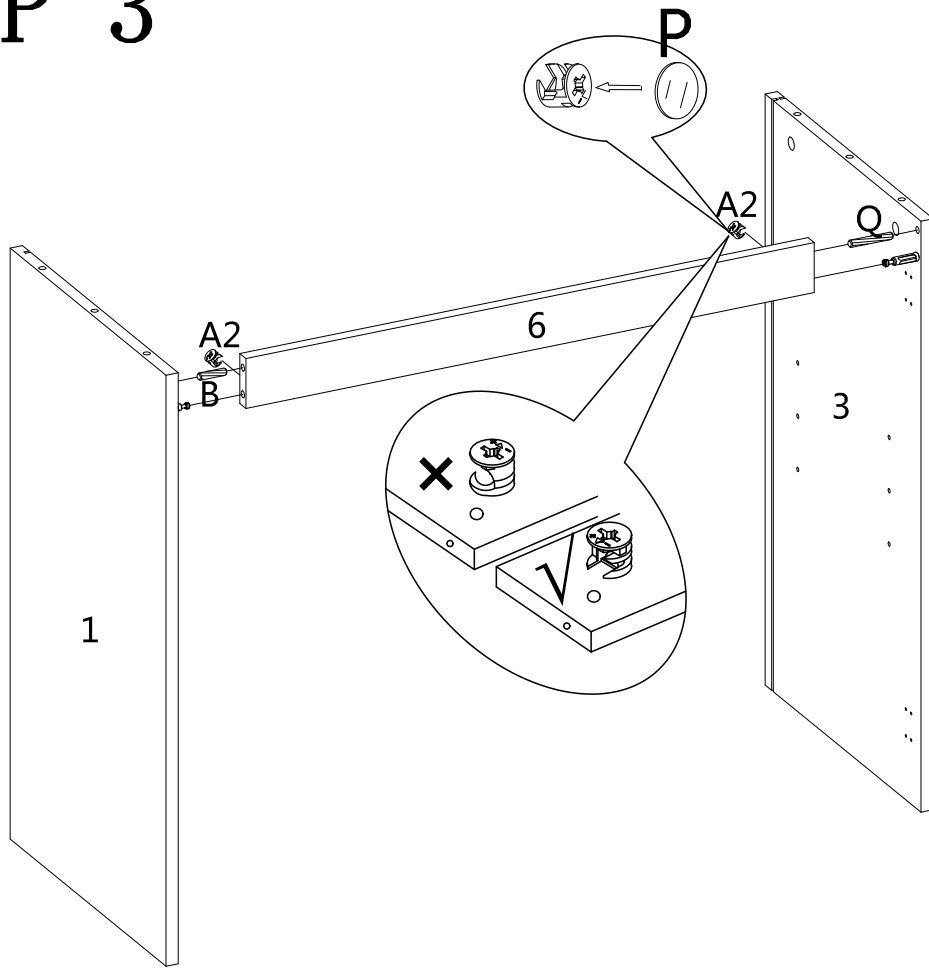


# STEP 2

the other side

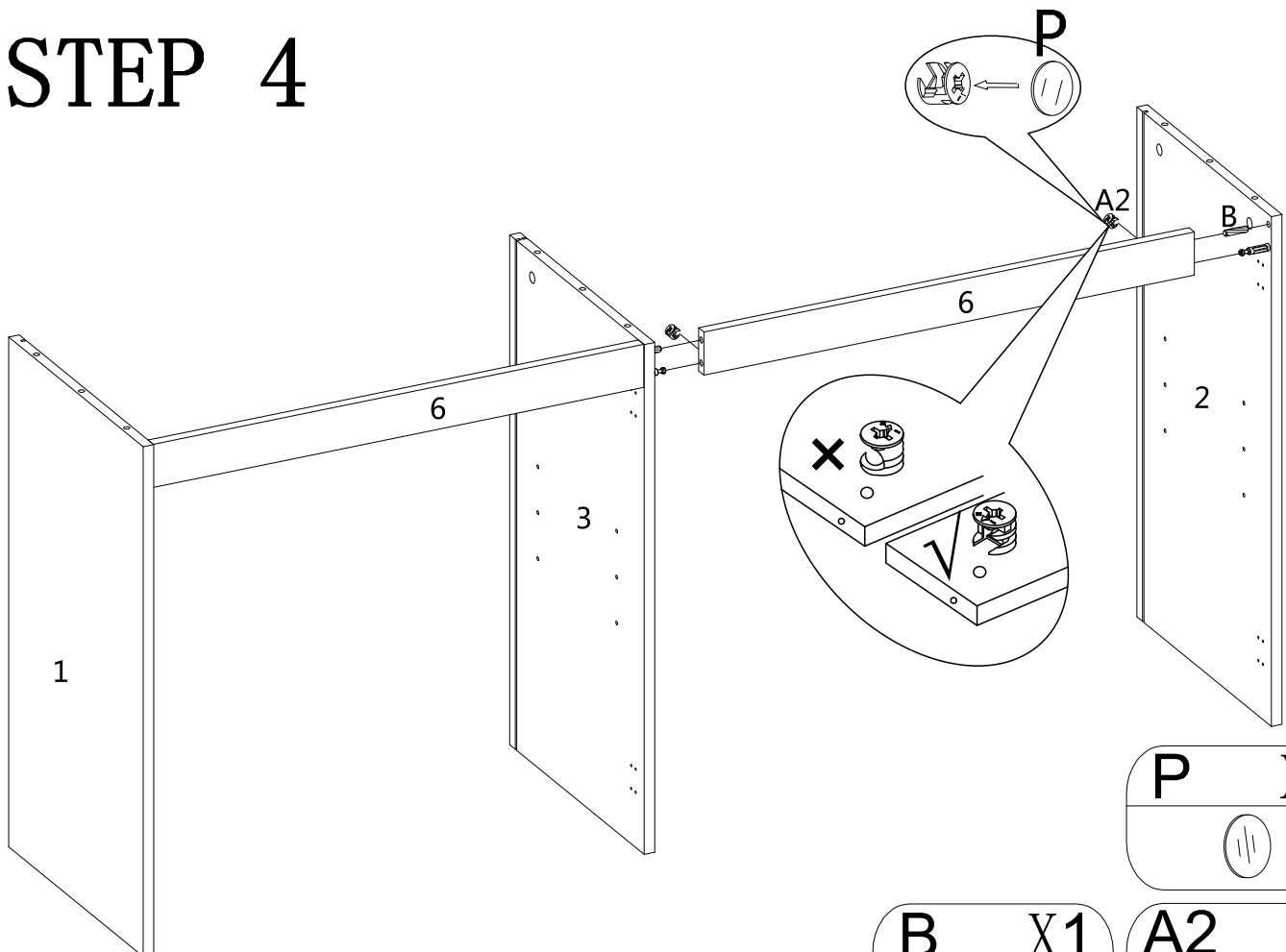


# STEP 3



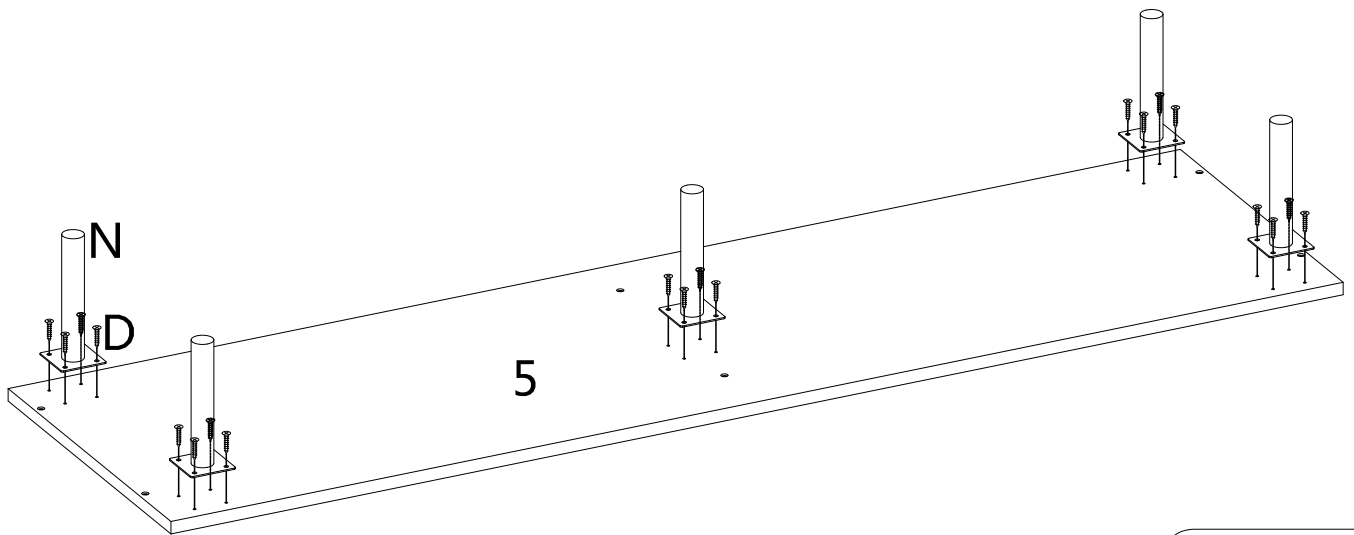
Q	X1
B	X1
P	X2
A2	X2

# STEP 4



P	X2
B	X1
A2	X2

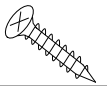
# STEP 5



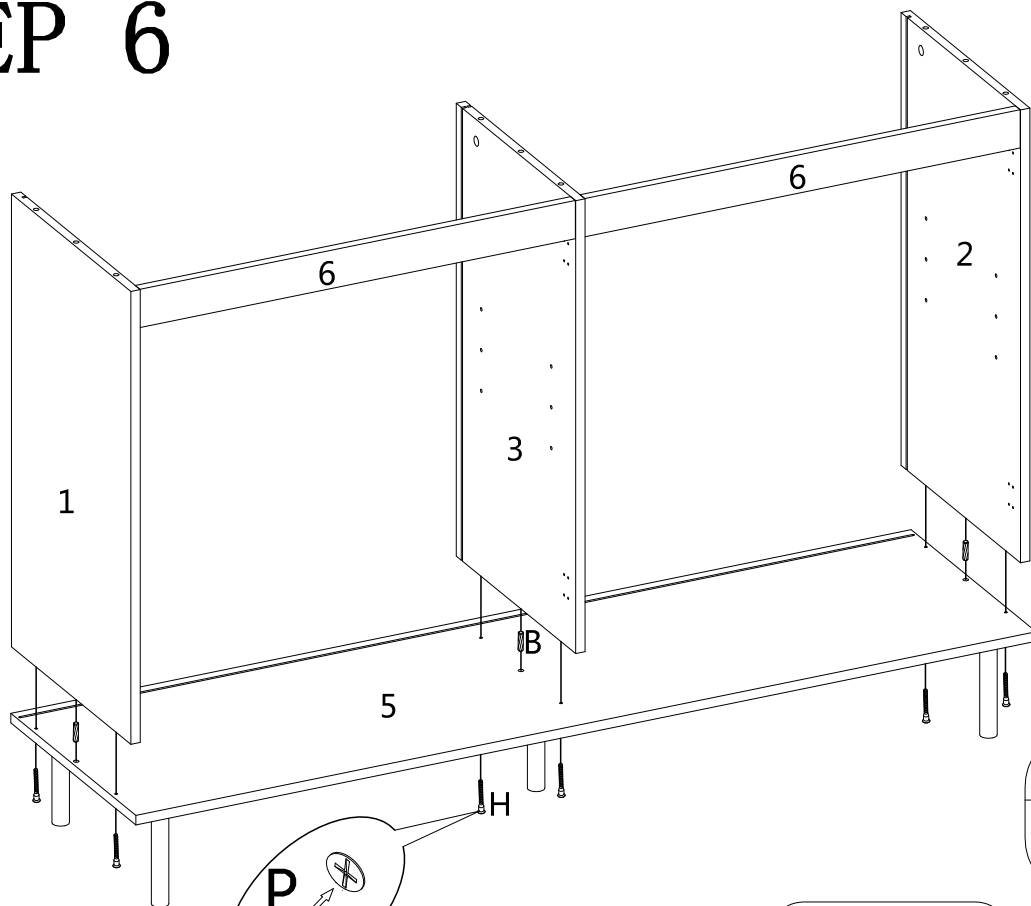
**N** X5



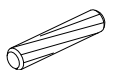
**D** X20



# STEP 6



**B** X3



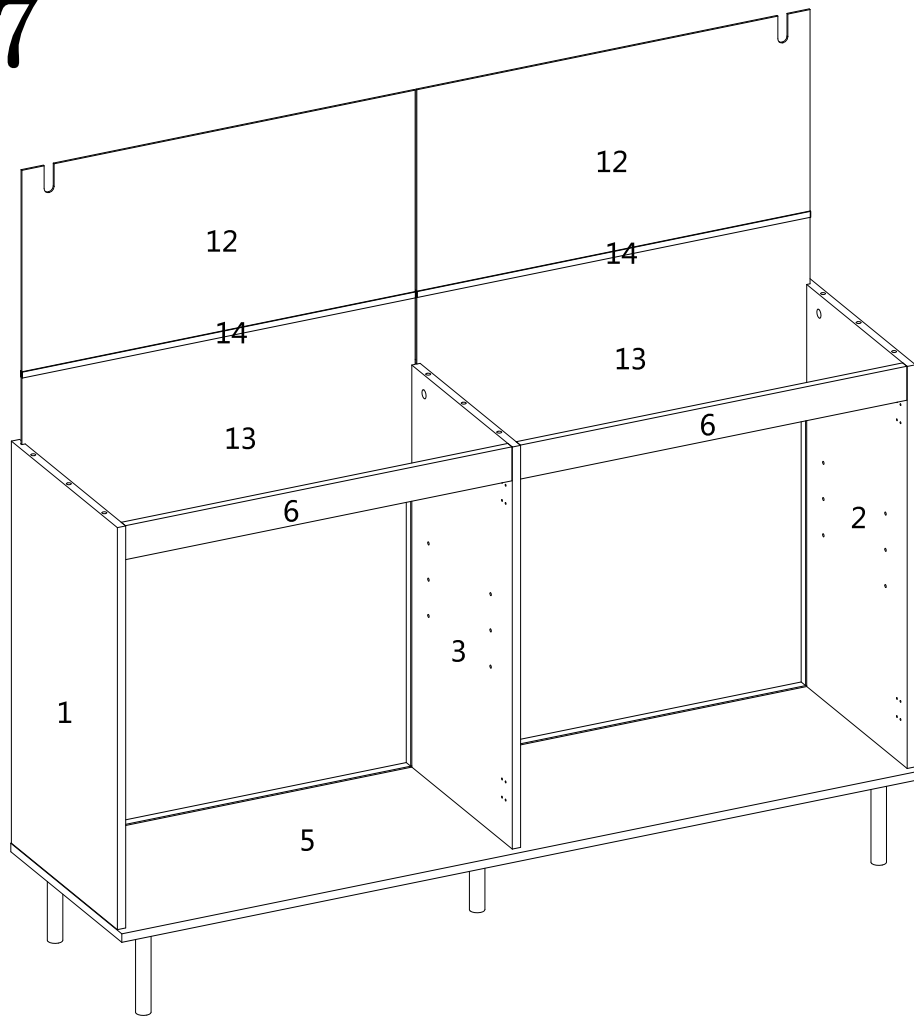
**P** X6



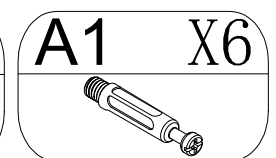
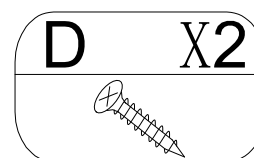
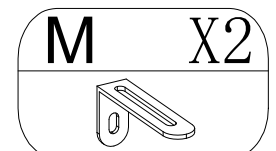
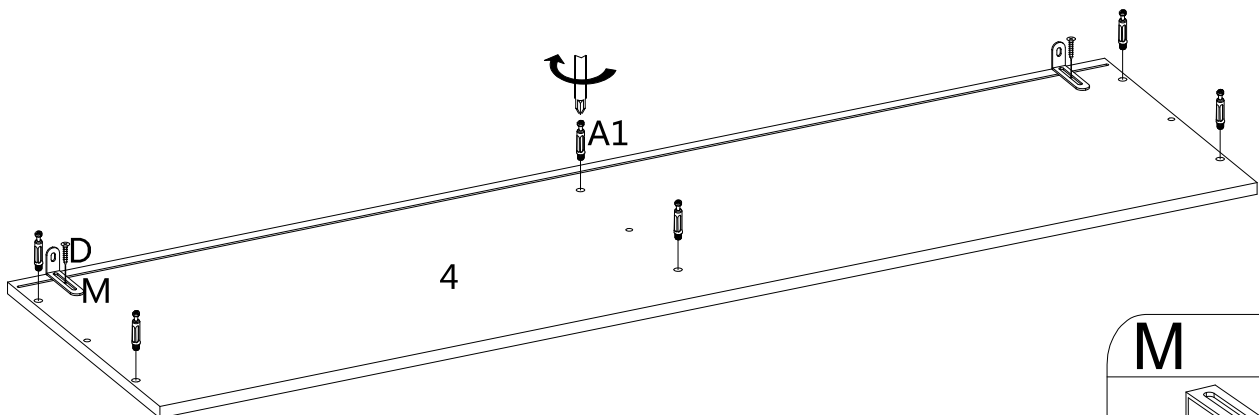
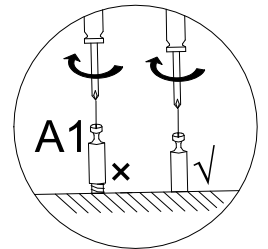
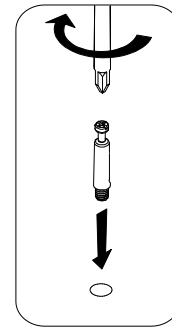
**H** X6



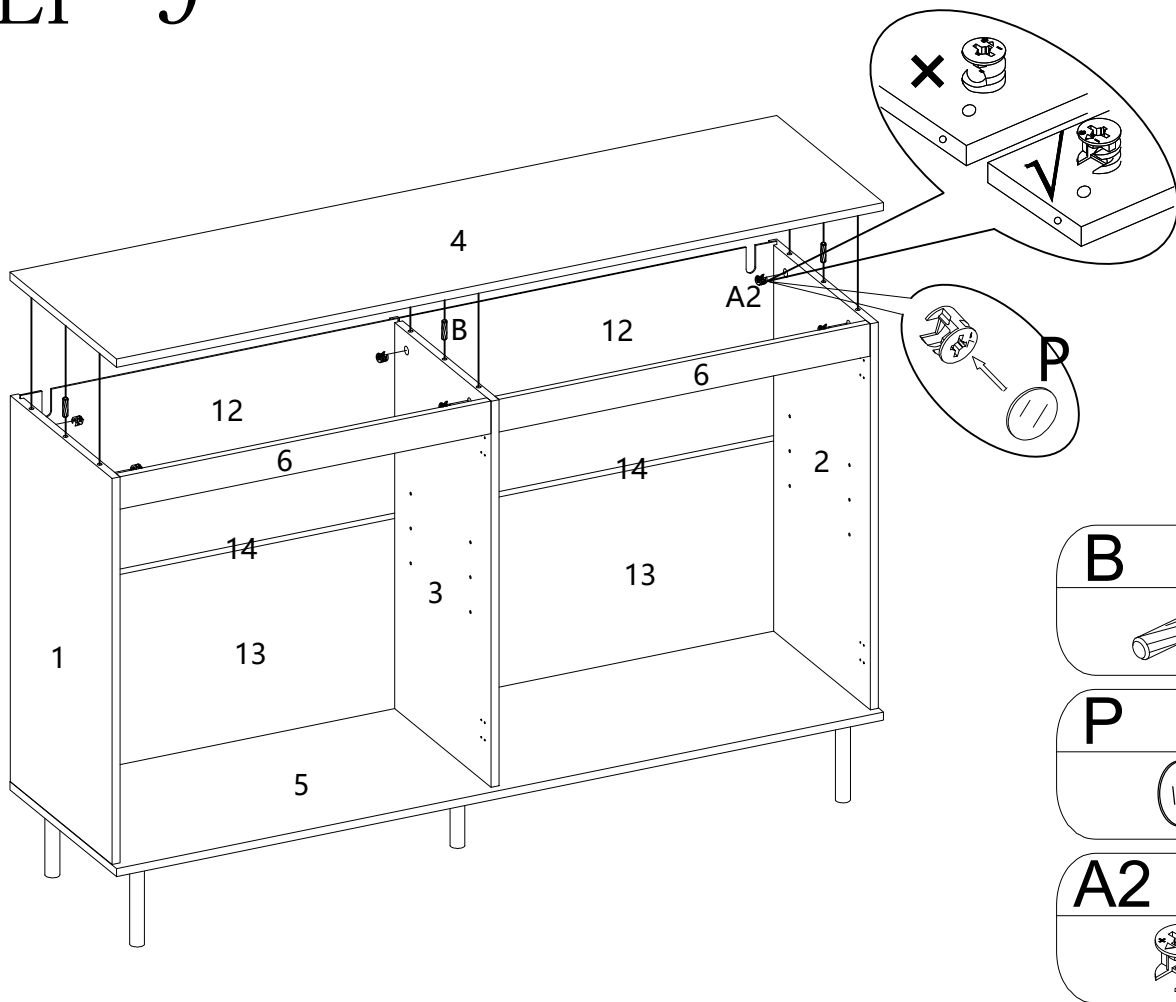
# STEP 7



# STEP 8

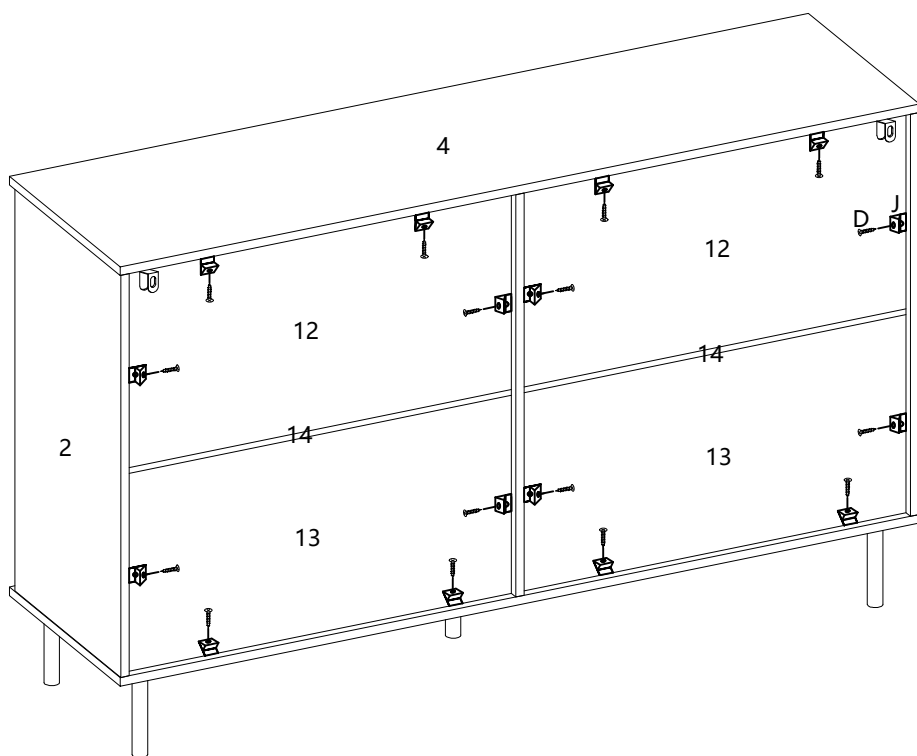


# STEP 9



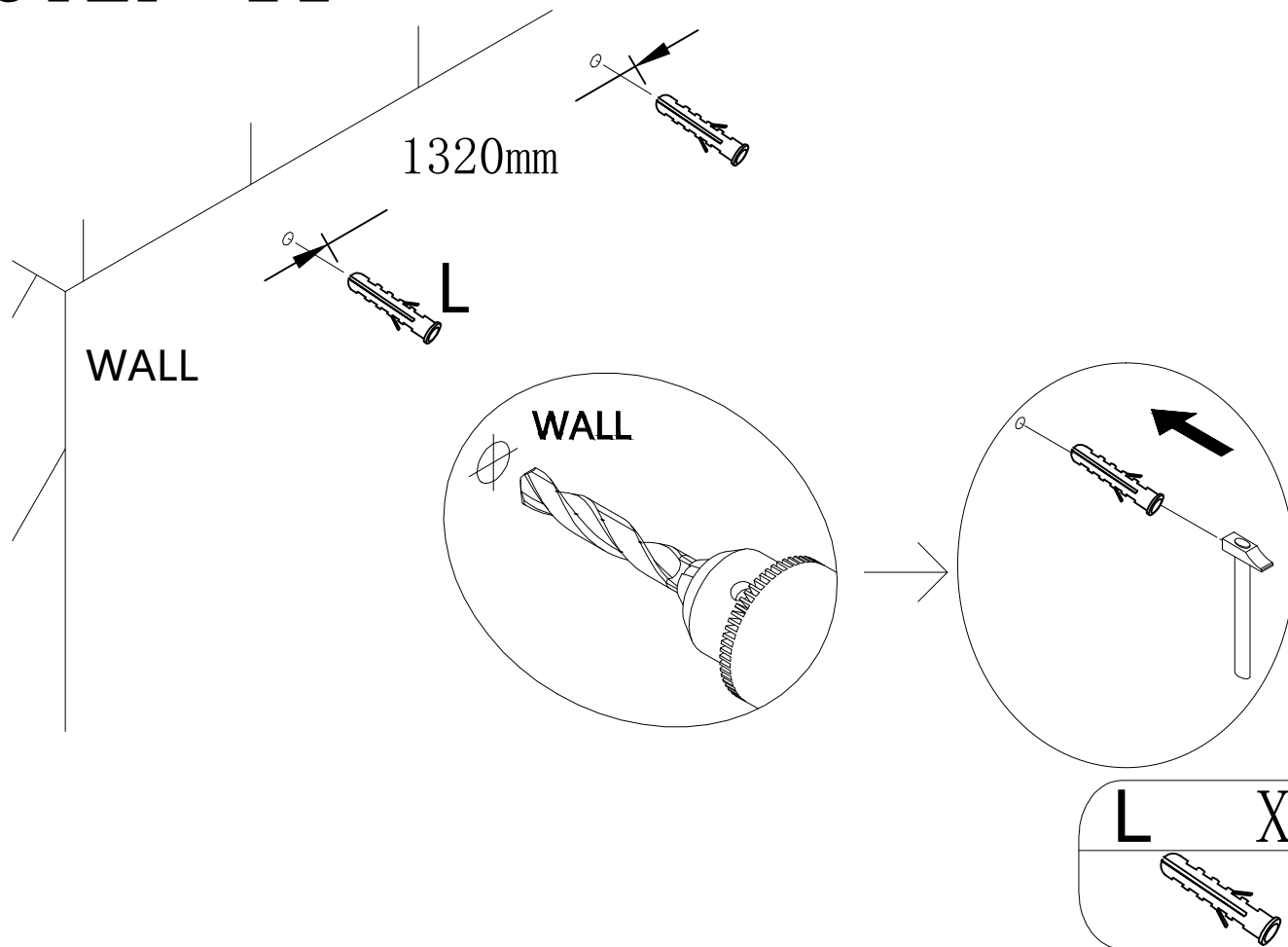
- |           |           |
|-----------|-----------|
| <b>B</b>  | <b>X3</b> |
|           |           |
| <b>P</b>  | <b>X6</b> |
|           |           |
| <b>A2</b> | <b>X6</b> |
|           |           |

# STEP 10

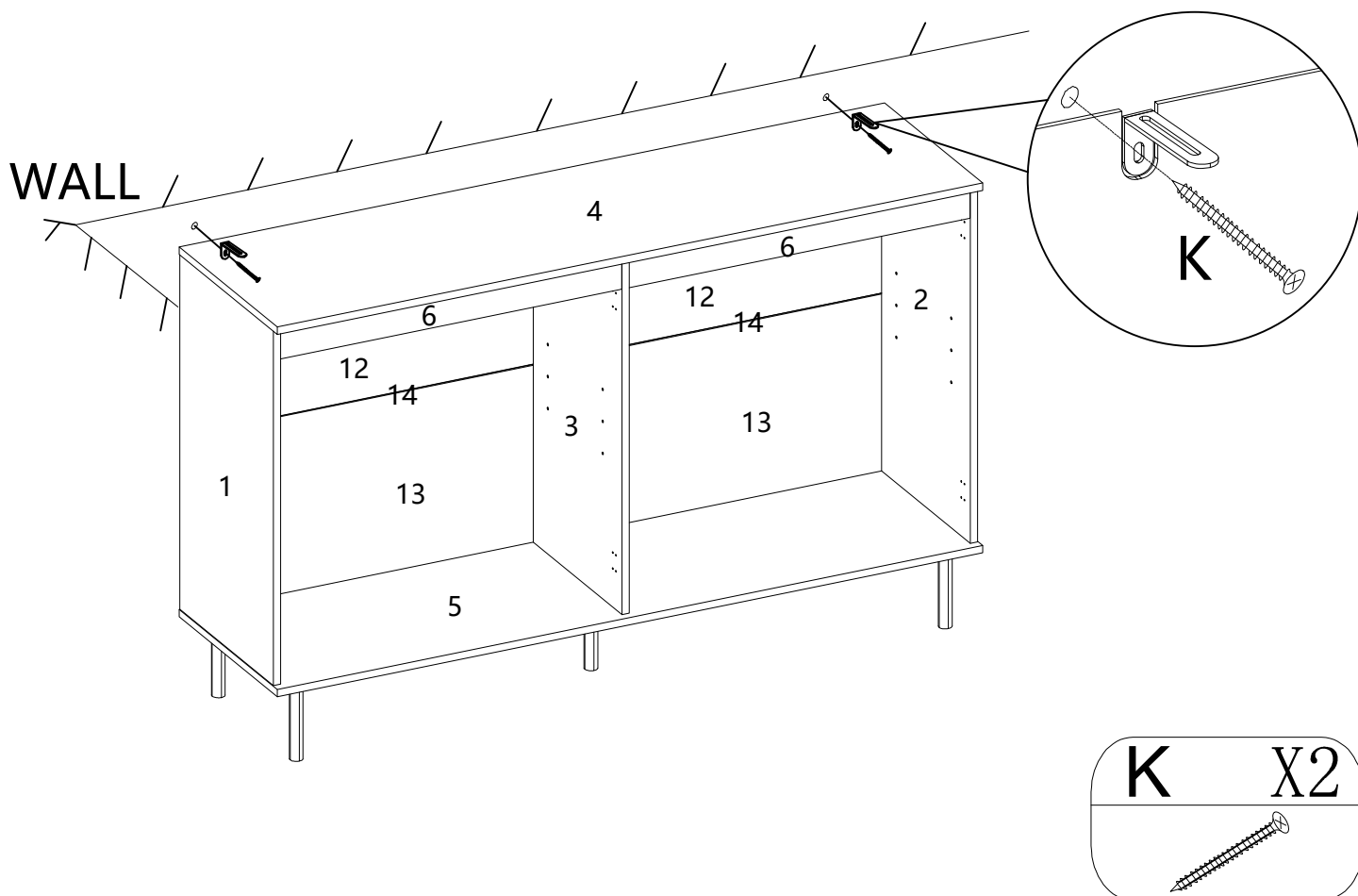


- |          |            |
|----------|------------|
| <b>J</b> | <b>X16</b> |
|          |            |
| <b>D</b> | <b>X16</b> |
|          |            |

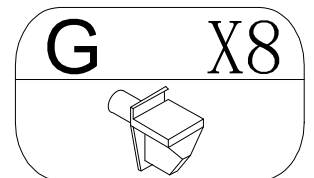
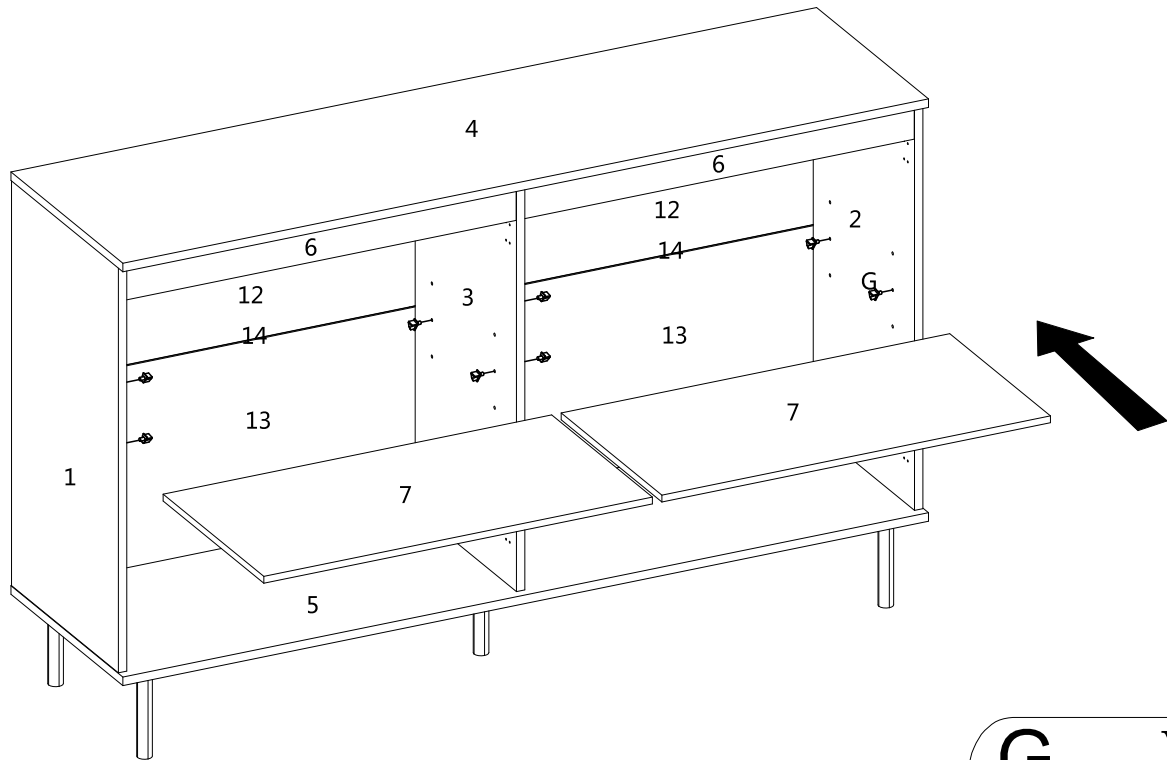
# STEP 11



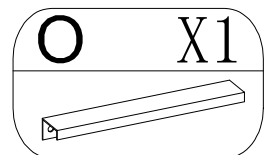
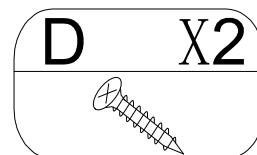
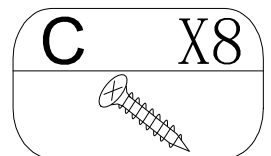
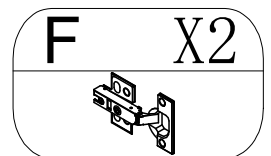
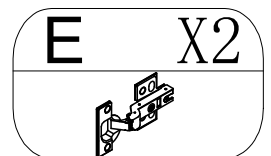
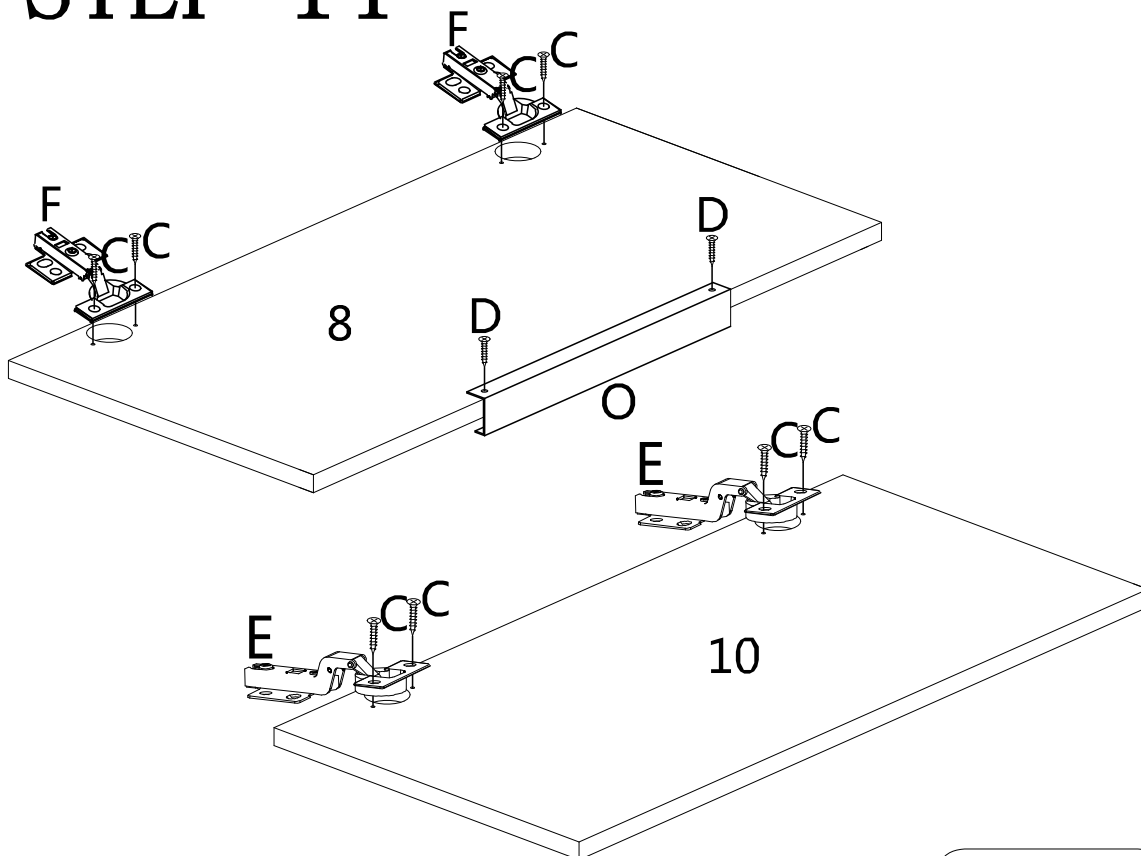
# STEP 12



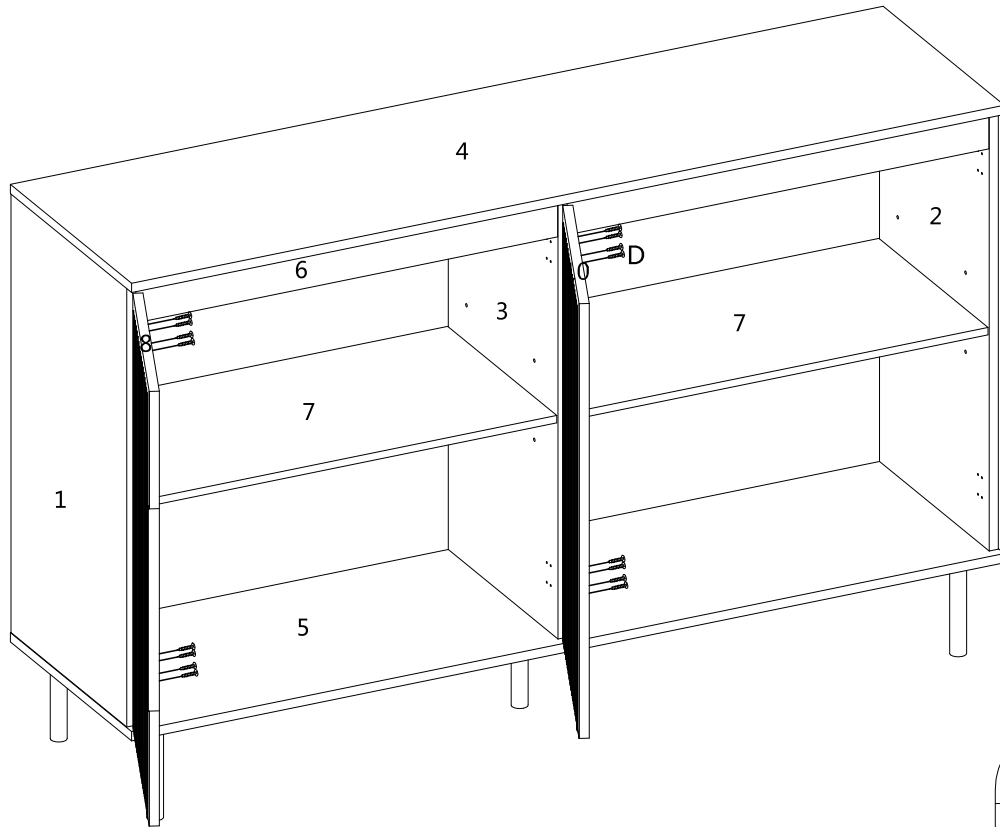
# STEP 13



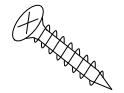
# STEP 14



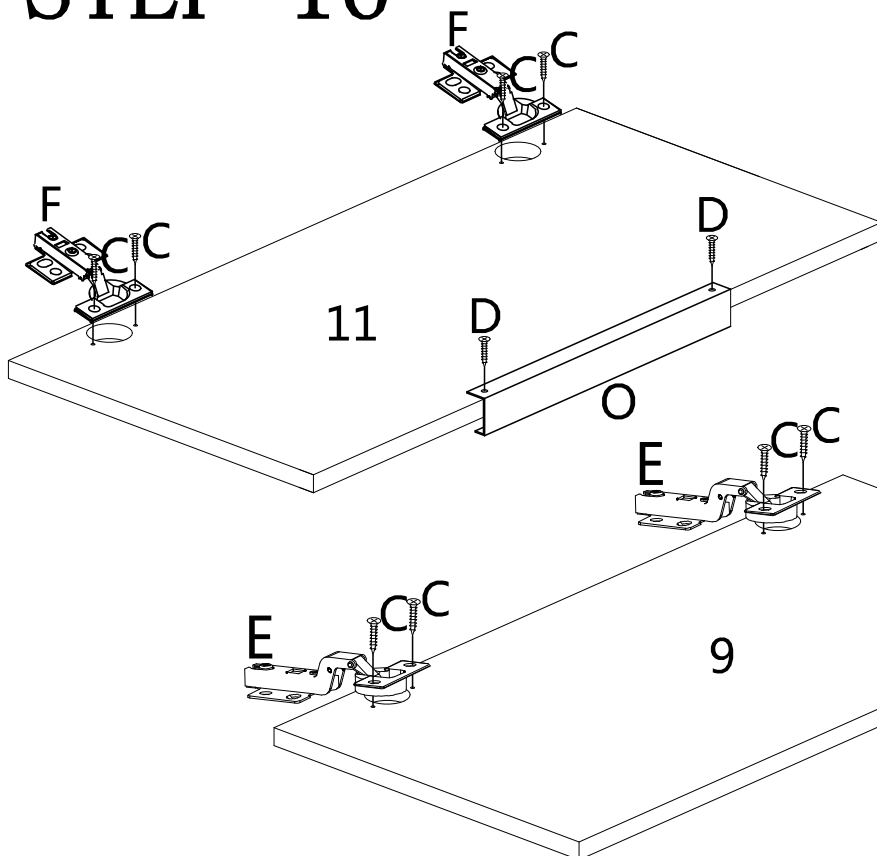
# STEP 15



D X16



# STEP 16



E X2



F X2



C X8



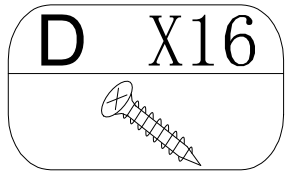
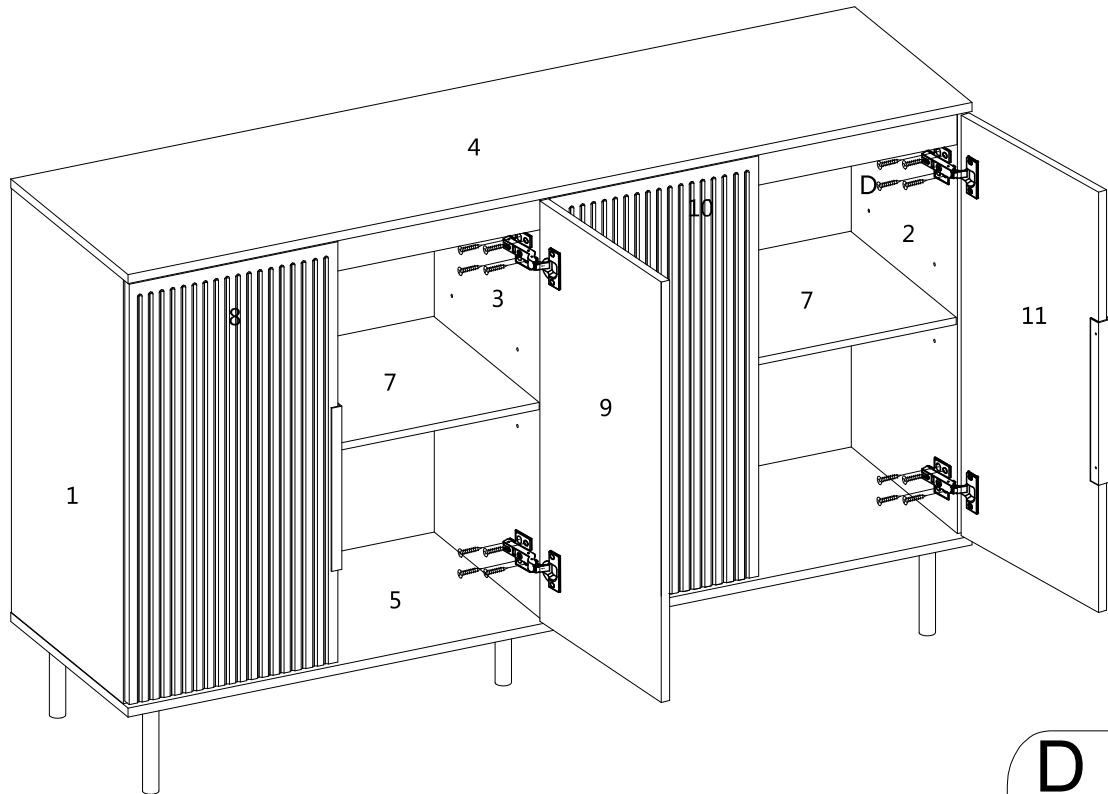
D X2



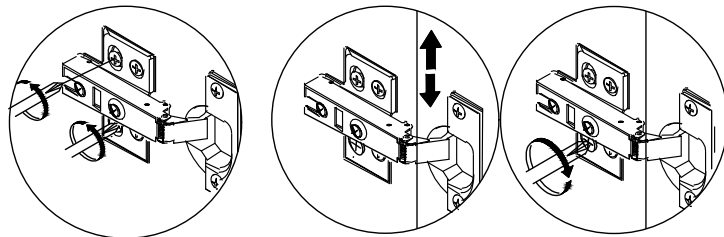
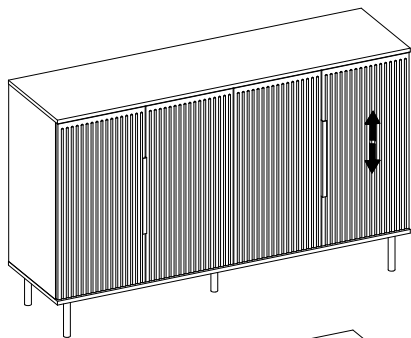
O X1



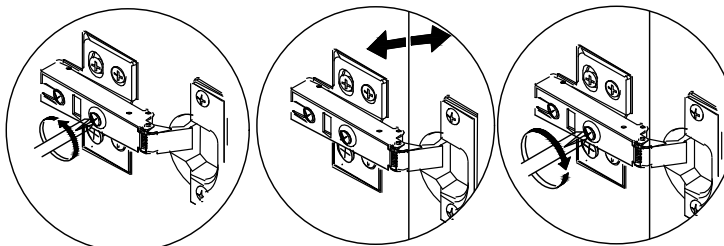
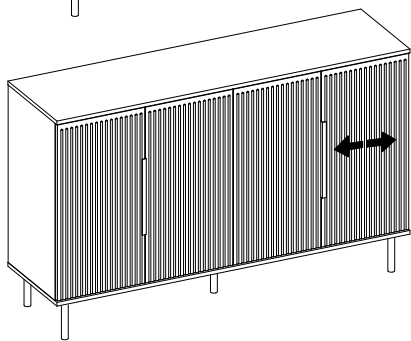
# STEP 17



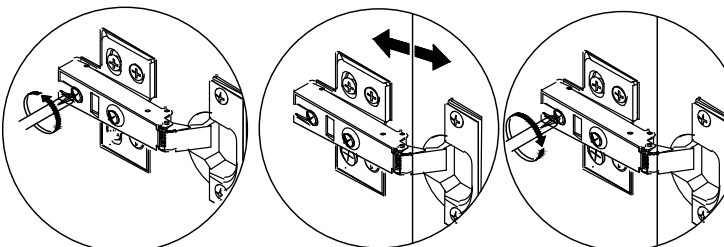
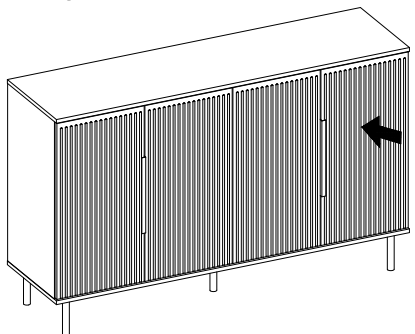
# STEP 18



Cabinet door up and down fine adjustment



Cabinet door left and right fine adjustment



Fine-tune the gap after the cabinet door is closed

# STEP 19

