

ASSEMBLY INSTRUCTIONS

PARTS LIST:

A



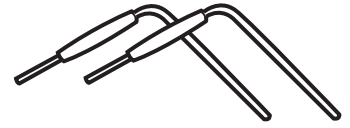
SOFA*1

B



BACKREST*1

C



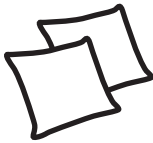
ARMREST*2

D



METAL FOOT
2

E



SEAT CUSHION
2

F



UPRIGHT POLE
2

G



SPANNER
1

H



SCREW
8

I



SCREW
4

J



SPACER
8

K



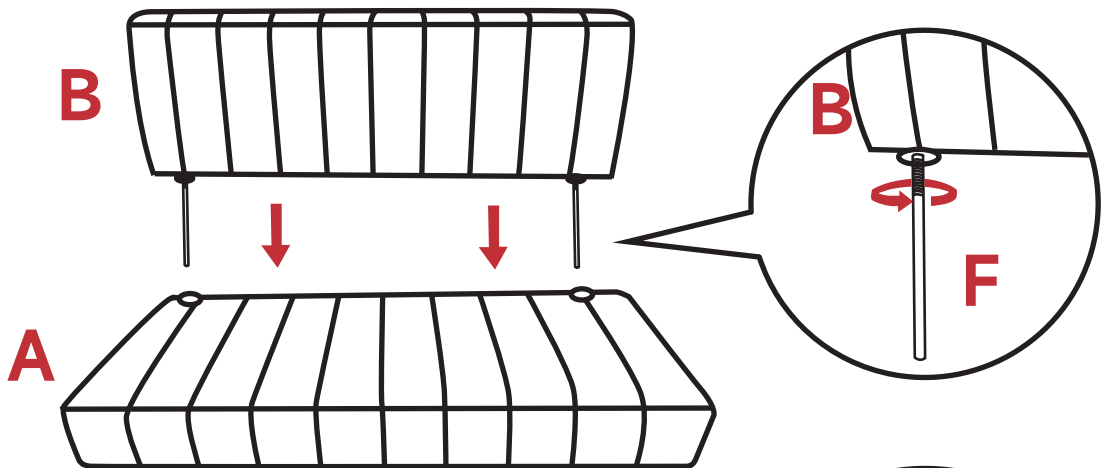
SPACER
4

L

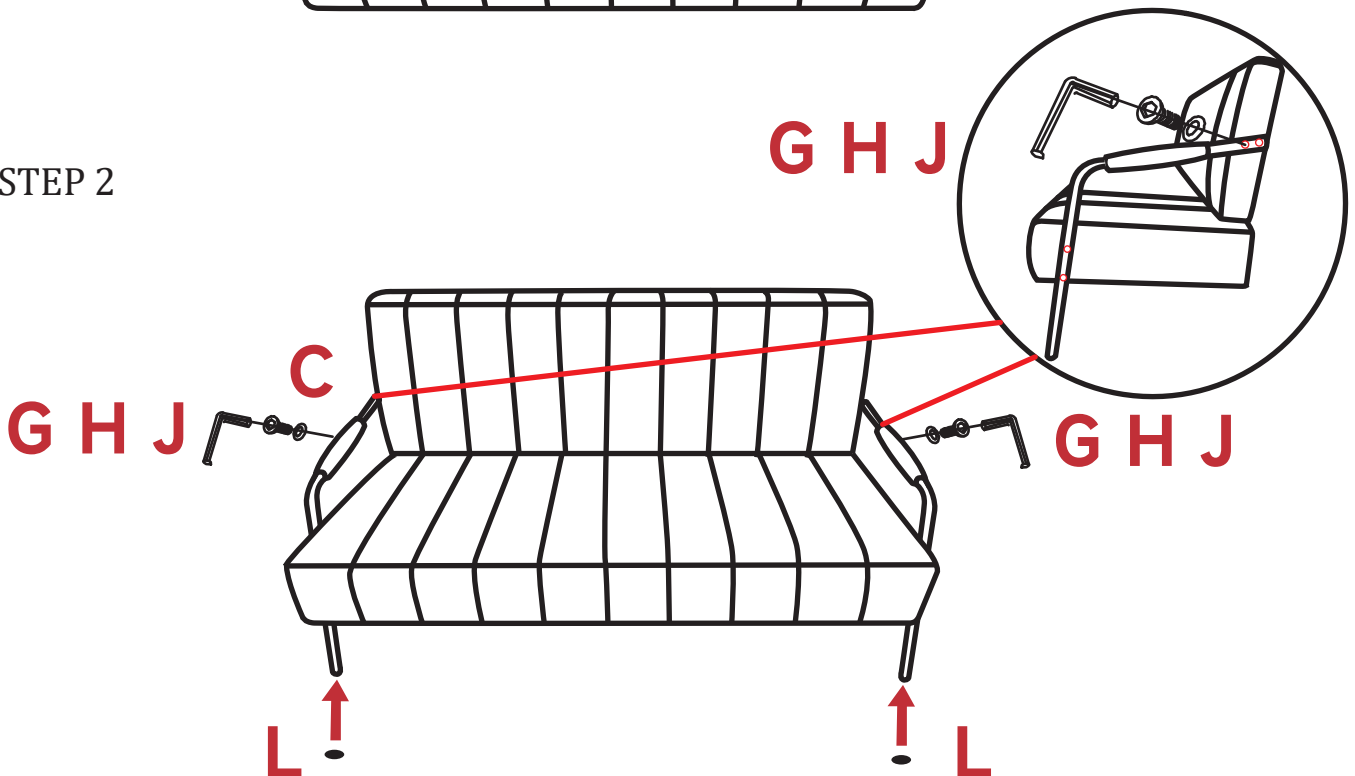


MATS
4

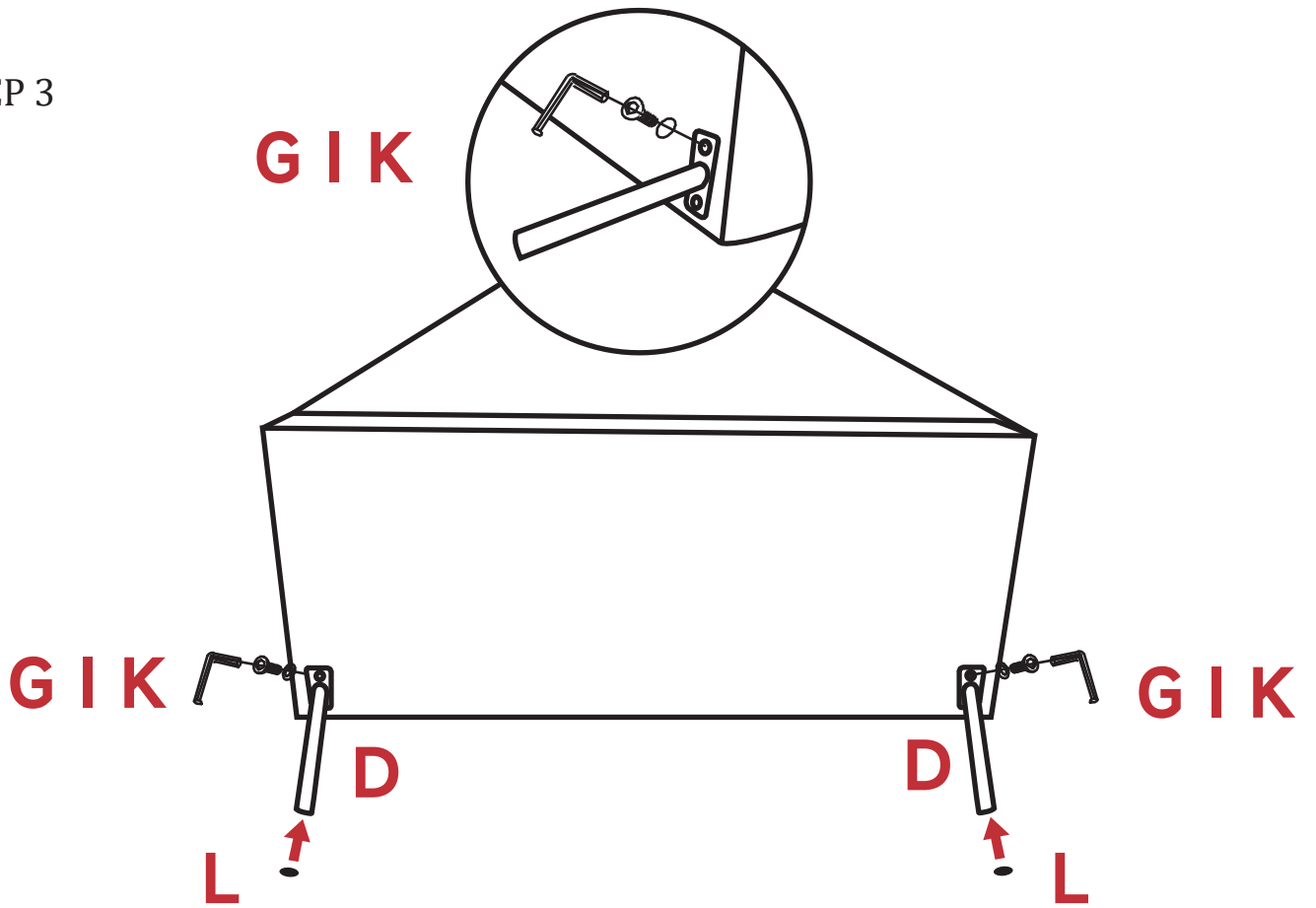
STEP 1



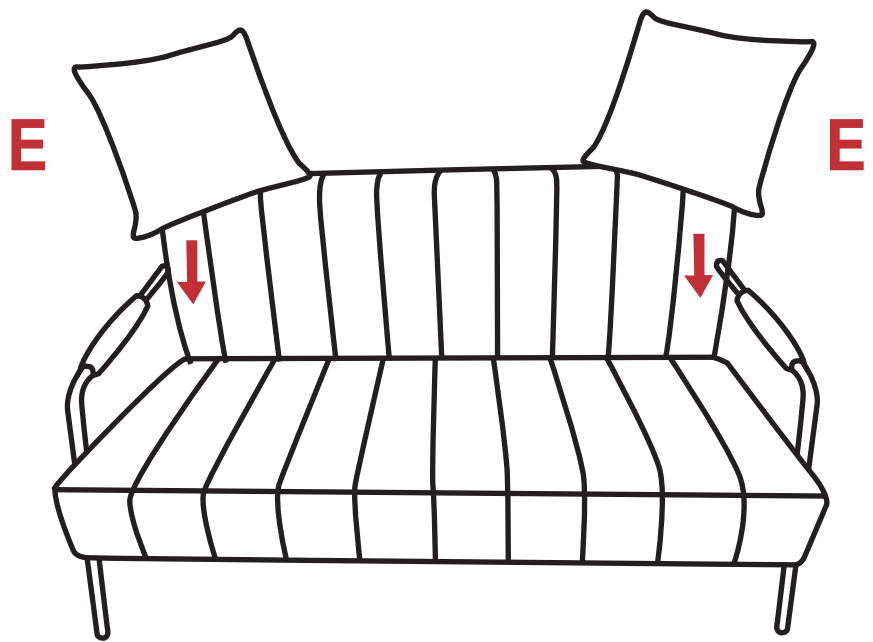
STEP 2



STEP 3



STEP 4



STEP 5

