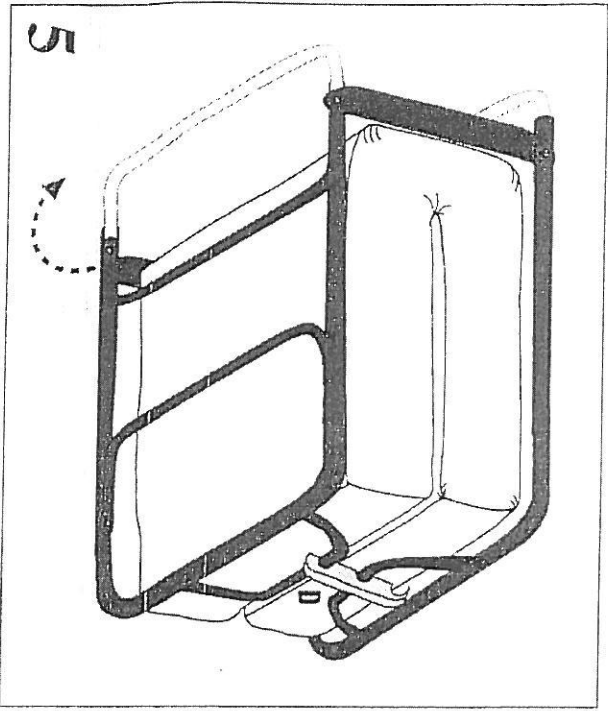
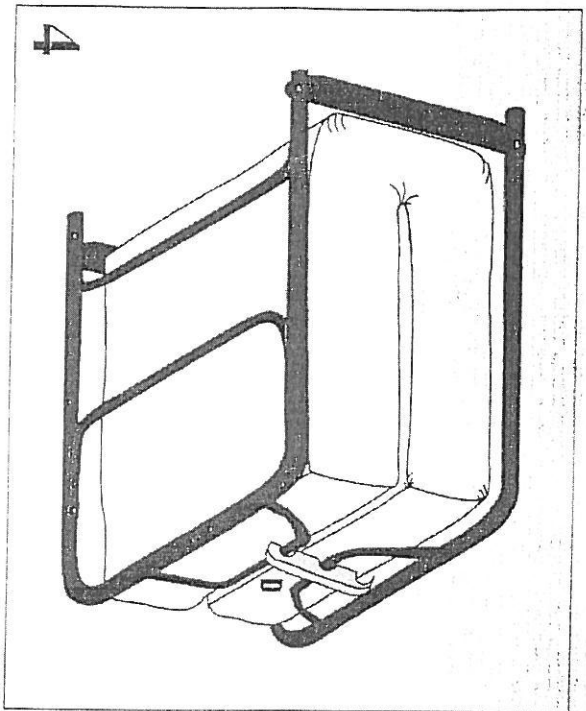


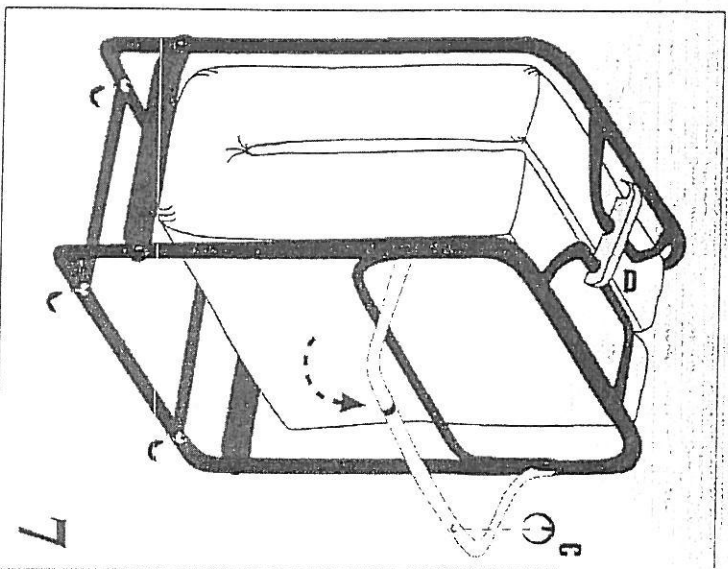
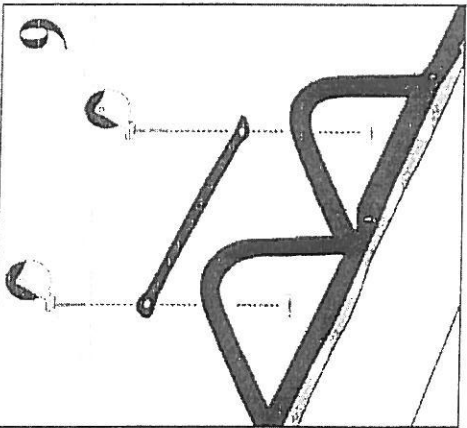
# ASSEMBLY INSTRUCTIONS



**Legenda**

	<b>A</b>	x4
	<b>B</b>	x1
	<b>C</b>	x4
	<b>D</b>	x1

Do not use



- 1) Carefully remove plastic wrap and cardboard packing.
- 2) Open bed and remove parts for assembly
- 3) Close bed and snap clip-lock bar using slots (1) and (2) as shown in illustration. Do not use slot (3).
- 4) Lay folded bed on one side
- 5) Open two center legs
- 6) Place the flat side (top) of the leg cross-bar against the bottom of the center leg, align holes, insert caster (A) into hole and secure using nut (B). Repeat with remaining three casters.
- 7) Stand bed upright and insert the four plastic leg caps (C) by inserting the center tabs into the holes on the outside legs.
- 8) Remove plastic wrap from the mattress before use.

*Note: as clip-lock is released, hold handles on top of bed to prevent bed from dropping to floor. When closing always use the middle slot of the clip-lock bar.*