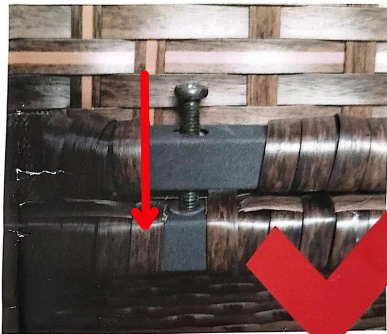


Rattan Sofa Instruction

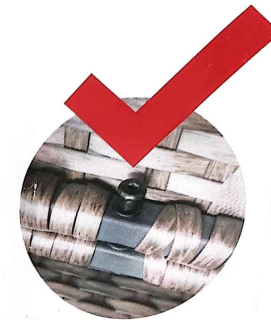
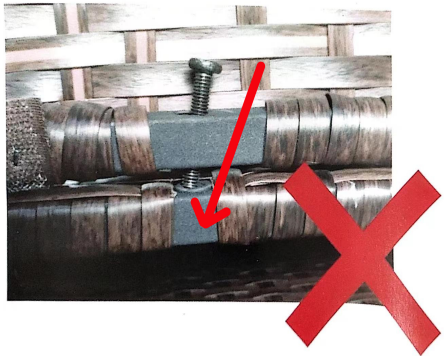
[Most important !!!]

1. Please DO NOT fix screws tightly before all screw sand holes connected.
2. Keeping all screws half-tightened will make assembling easier .
3. Please email us with pictures if you need any help during assembling.
4. Please don't discard packing boxes before all cushion chairs are assembled without first making sure there are no issues with assembly or parts. We will ask for the SKU# on boxes if there are any issues reported so please keep that information and have it available. Thank you!
5. This products will come from TWO BOEXS. If you got one of them. Don't worry. The others are on the way or Email us.
6. If the chair is not on the same level. Please adjust the bottom adjustment feet to balance

! Friendly Reminder



Please ensure that the screw is aligned with holes vertically(not obliquely), in case of assemble difficulty and unstability in usage.

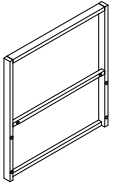
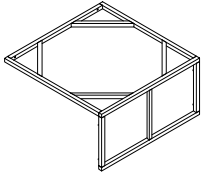
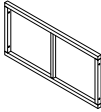
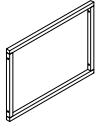
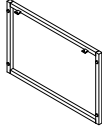
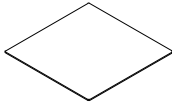
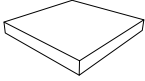
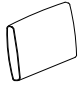
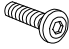





Do not tighten all the bolts in First step.

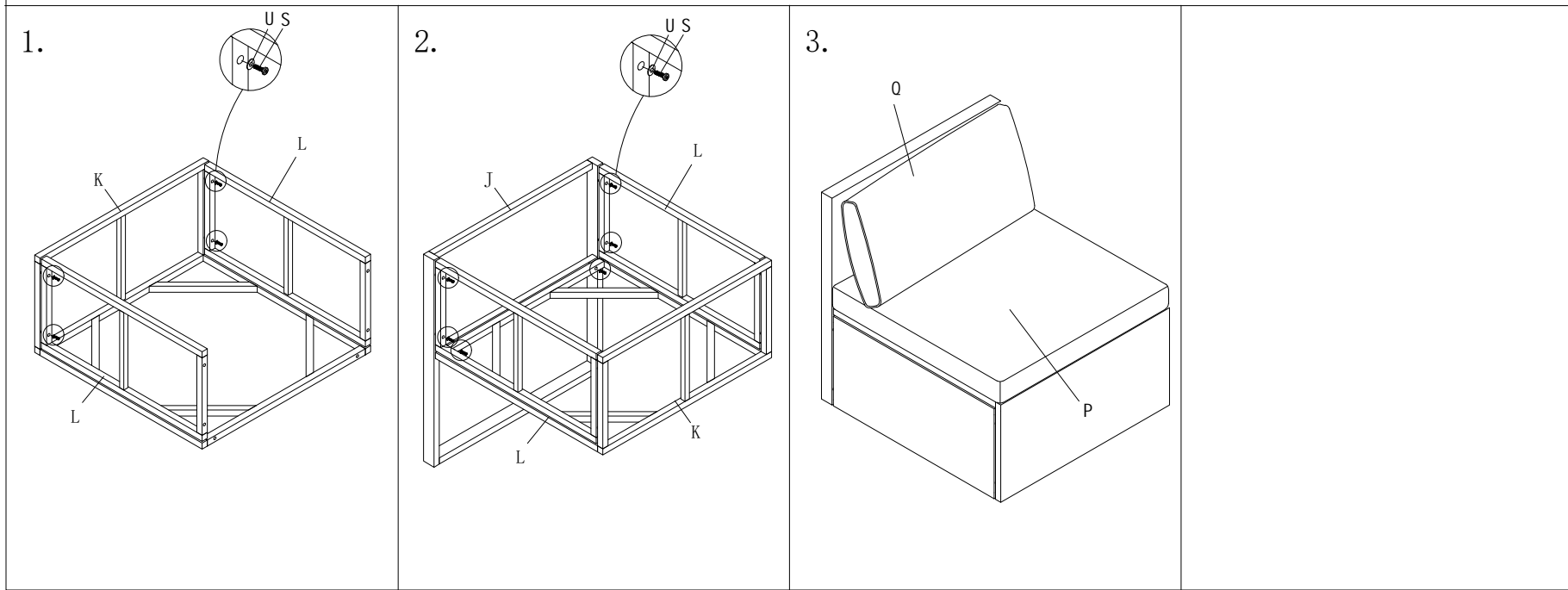
Do not tighten any screws first. tighten twist 1-2 turns only. Because they need some room to adjust. Till all the screws are on the holes.



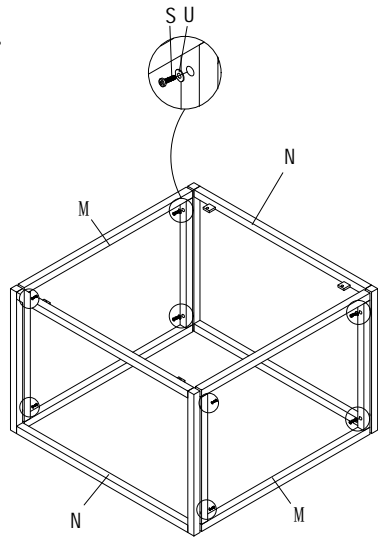
Tighten the bolts by hex wrench until the last step.

					
J*3	K*3	L*6	M*2	N*2	O*1
		 M6*35	 M6		
P*3	Q*3	S*38	U*38	W*1	X*4

1. If the chair is not on the same level. Please adjust the bottom adjustment feet to balance.
2. Please DO NOT fix screws tightly before all screws and holes connected.
3. Keeping all screws half-tightened will make assembling easier .



4.



5.

