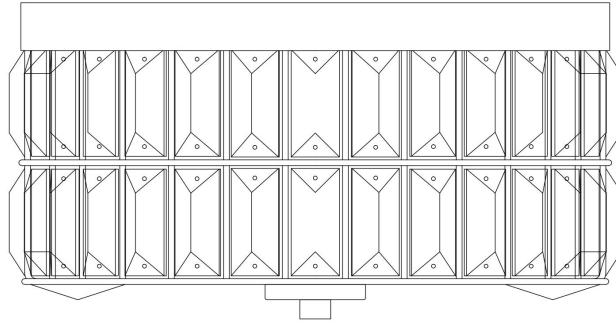


Assembly Instruction

CAUTION: Read instruction carefully and turn electricity off at main circuit breaker panel before beginning installation.



Care and Cleaning

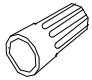

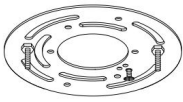

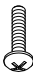

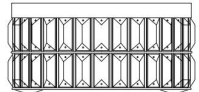



To clean the outside of the fixture, use a dry or slightly dampened clean cloth (use clean water, never a solvent) to wipe the surface of the fixture.

To clear the inside of the fixture, first disconnect power to the fixture by turning off the circuit breaker or by removing the fuse at the fuse box. Next, use a dry or slightly dampened clean cloth (use clean water, never a solvent) to wipe the interior surface of the fixture.

Do not use any cleaners with chemical, solvents or harsh abrasives. Use Only a dry soft cloth to dust or wipe carefully.

Estimated Assembly Time: 30 minutes

Part List and Hardware List

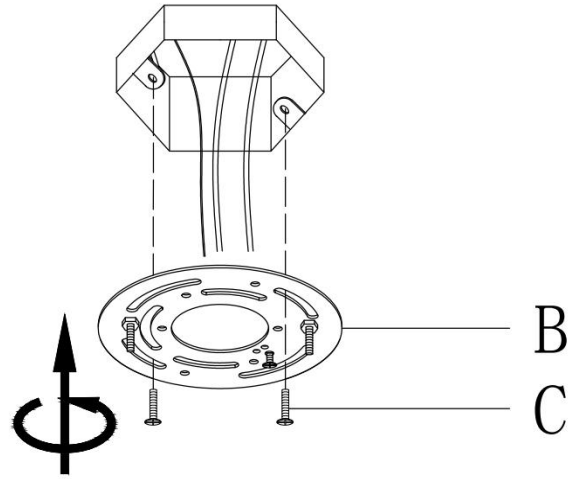
PIECE	DESCRIPTION	PICTURE	QUANTITY	PIECE	DESCRIPTION	PICTURE	QUANTITY
A	Wire Connector		3X	F	Bulb		3X
B	Mounting Plate		1X	G	Threaded Rod		1X
C	Mounting Screw		2X	H	Glass Panel		1X
D	Lamp Body		1X	I	Cap		1X
E	Canopy Nut		2X	J	Finial		1X

Installation

Step 1

Unpack all parts from cartons carefully.

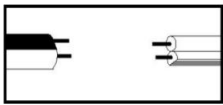
Fix the Mounting Plate(B) to the junction box with Mounting Screw (C).



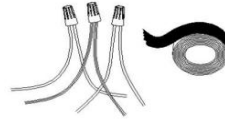
Step 2 Wire connection

Make wire connections, with wire connectors(A), following the reference chart listed below.

Connect,Hot,Black or Red outlet Supply Wire to:	Connect,Neutral,White Outlet Supply Wire to:
Black	White
*Parallel Cord(round&smooth)	*Parallel Cord(square&ridged)
Clear,Brown,Gold or Black without Tracer(colored stripes)	Clear,Brwn,Gold or Black without Tracer(colored stripes)
Insulated Wire(not green)with copper metal conductor	Insulated Wire(not green)with Silver metal conductor



*Note: When parallel wire(SPTI&SPTII)is used. The neutral wire is square shaped and ridged and the hot wire will be round in shape and smooth.(See illustration on left)



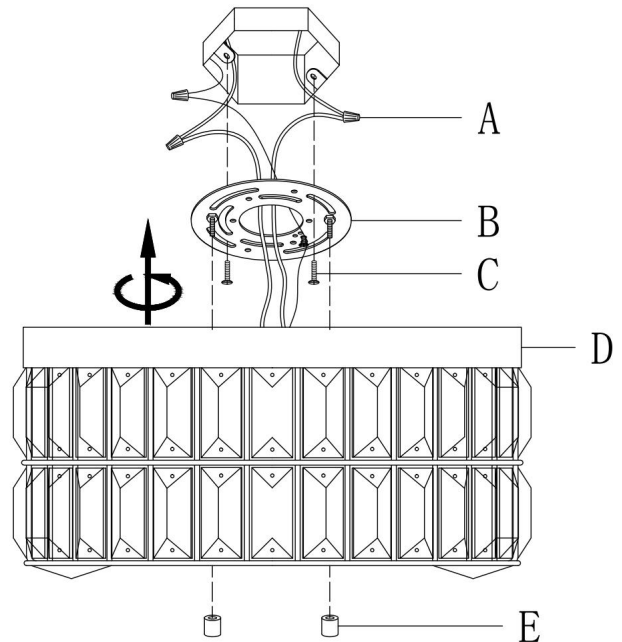
Grounding Instructions:

a) For installation in the United States: Wrap ground wire from outlet box around green ground screw on mounting bracket, no less than 2" from wire end. Tighten ground screw. If fixture is supplied with a ground wire, connect to outlet ground wire with a wire connector.

b) For installation in Canada: If fixture is supplied with ground wire, wrap ground wire around green grounding screw on mounting bracket. Tighten ground screw.

Step 3

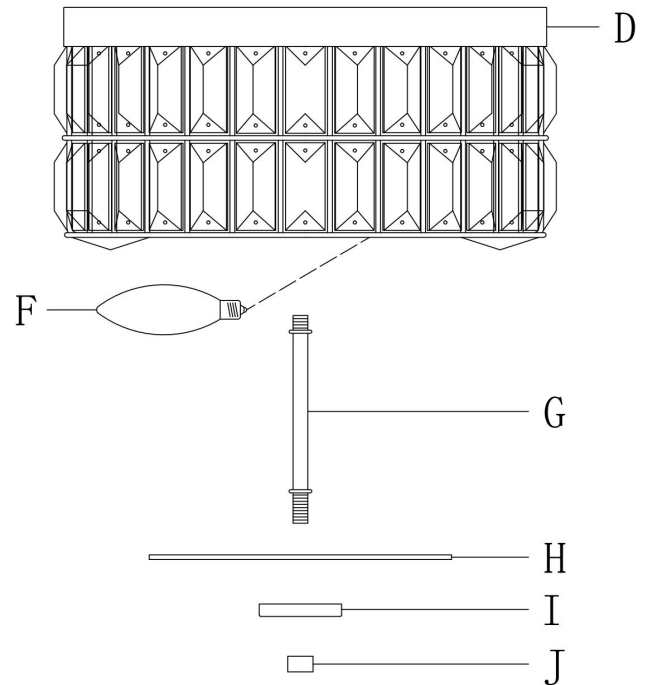
Attach the Lamp Body (D) to the Mounting Plate (B) , and secure with the Canopy Nut (E).



Step 4

Insert the bulbs (F) into the Sockets.

Thread the threaded rod (G) to the coupling of the Lamp Body (D), Attach the Glass Panel (H), Cap (I) to the Threaded rod (G), and fix it by turning the Finial (J) clockwise.



**PLEASE USE TYPE"B" BULB MAX 40-WATT OR CFL BULB MAX 13-WATT OR
LED BULB MAX 9-WATT
THERE ARE 3PCS LED 4-WATT BULB IN THE BOX**

Step 5

Consult a qualified electrician to ensure correct branch circuit conductor.

ENJOY YOUR LAMP