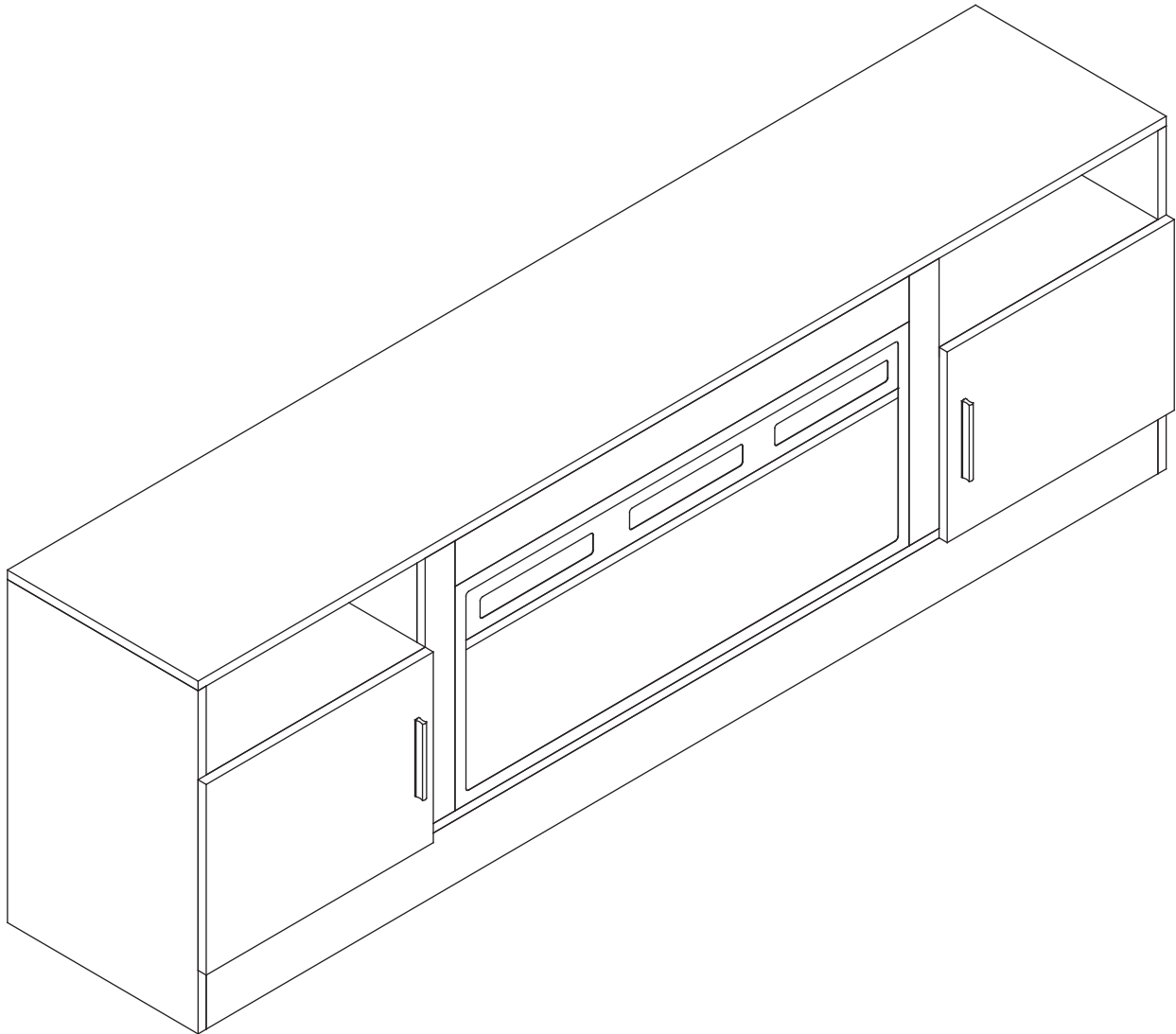


# ASSEMBLY INSTRUCTIONS


SKU: SF-F70-36PC-BLK



Attention: The Fireplace and TV stand come in **TWO PACKAGES**  
Please don't be confused if only one package was received.

The light strip comes with fireplace. It should be installed  
after **TWO PACKAGES** received.

 [hellovitesse@gmail.com](mailto:hellovitesse@gmail.com)

 +1(503) 928-7812

# HOPE YOU HAVE A PERFECT SHOPPING EXPERIENCE!

Our product is designed with excellence crafted from premium materials, and exhibits a unique sense of style. Every detail has been thoughtfully considered to bring both elegance and functionality to your space.

Whether in the office or at home, our product offers long-lasting performance and versatile use. We believe it will enhance your environment and make your daily tasks easier.

If you encounter any issues or have questions, please don't hesitate to contact our dedicated customer service team. We are always here to assist and ensure your satisfaction.



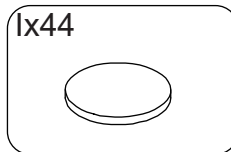
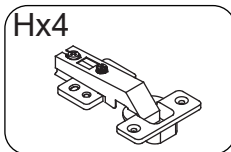
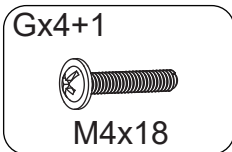
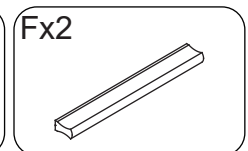
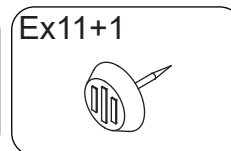
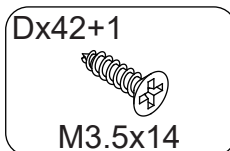
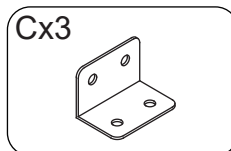
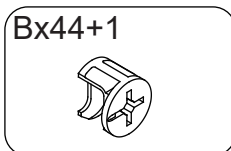
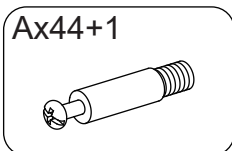
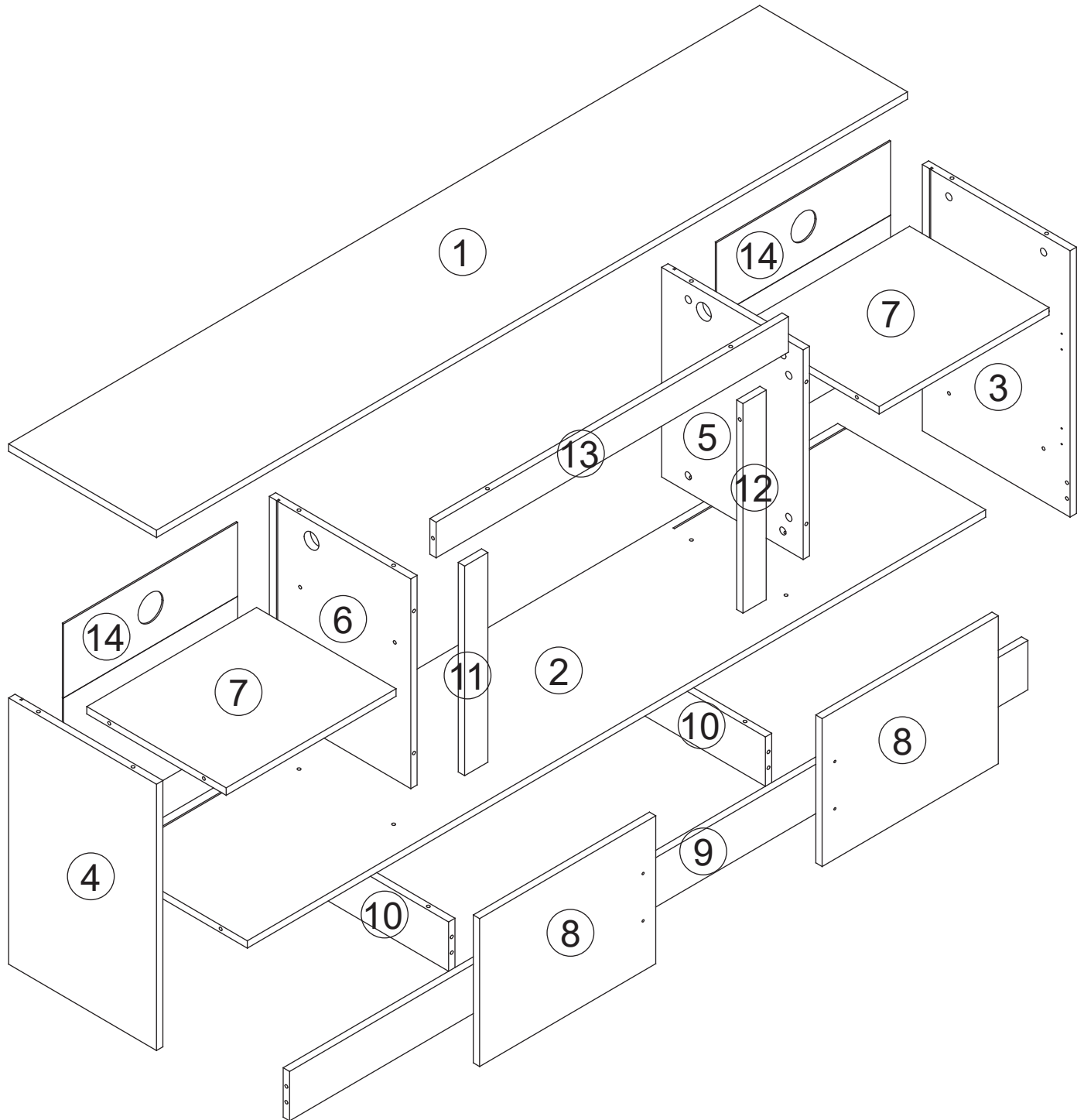
# IMPORTANT SAFETY INSTRUCTIONS



**Read these instructions carefully and retain them for future use.**

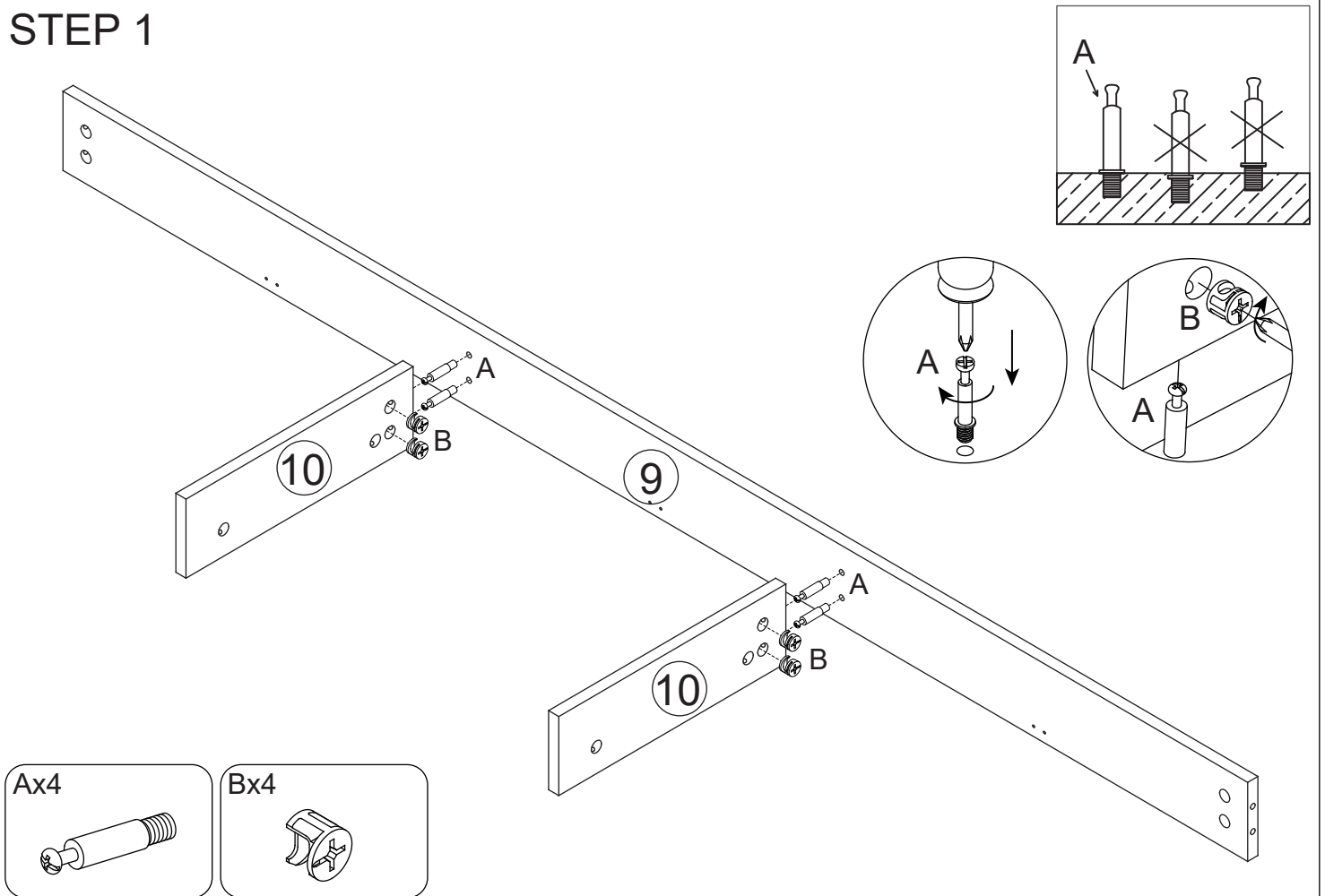
**When using the product, basic safety precautions always be followed to reduce the risk of injury, including the following:**

- This product must be assembled by an adult.
- Keep children and pets away while assembling the product.
- Remove all the packing materials and review all components before assembly.
- Do not over-tighten the fasteners.
- To avoid scratching the floor, assemble the product on a soft surface, such as a carpet.
- Do not use this product if any parts are missing, damaged, or worn.
- Always use the product on a firm, level ground.
- Do not let the children climb on or play with the product.
- Keep all sharp objects away from the upholstery.
- Regularly examine the product for wear and tear. Stop using the product at the first sign of damage or if the parts detached.

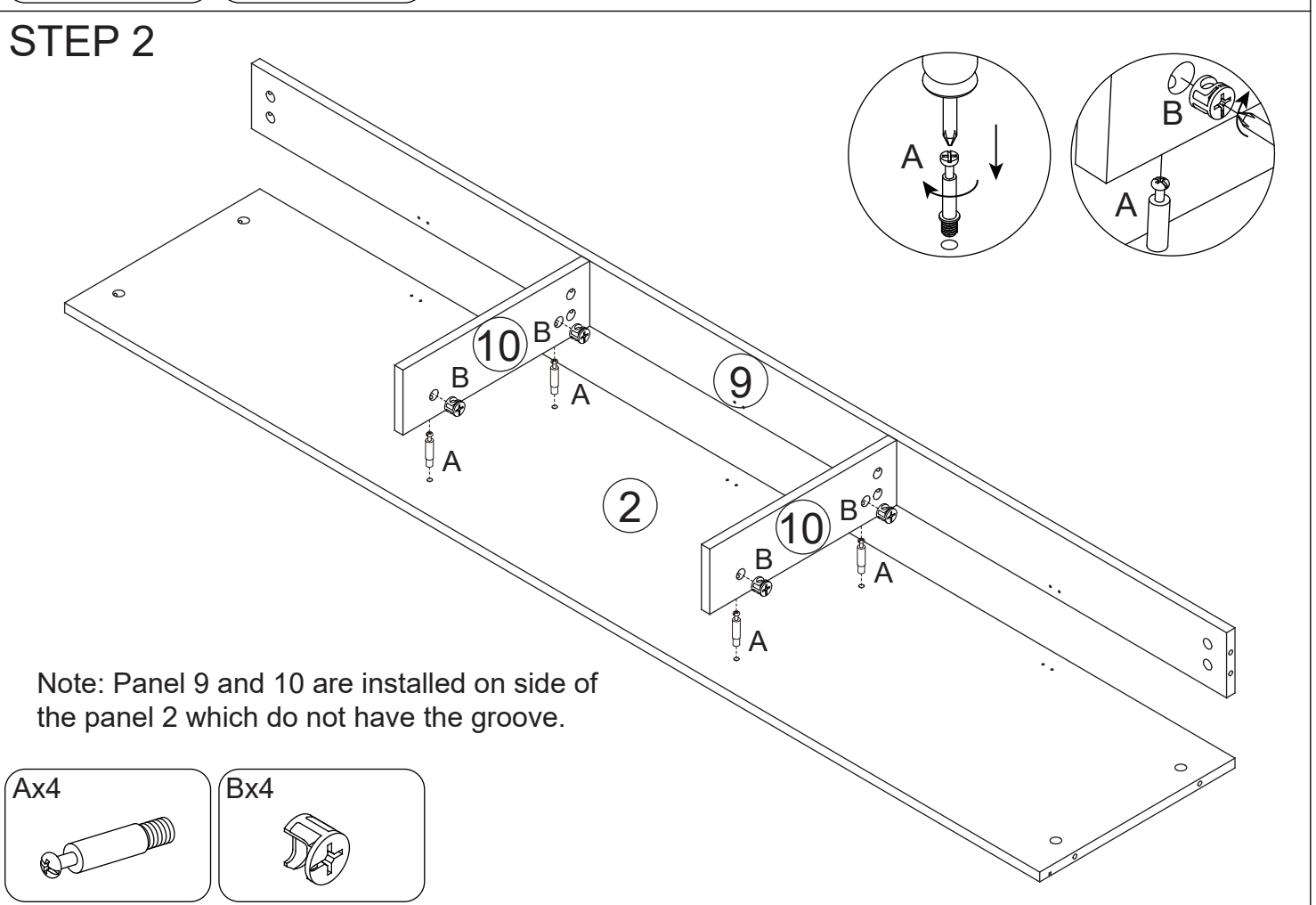


# Installation steps

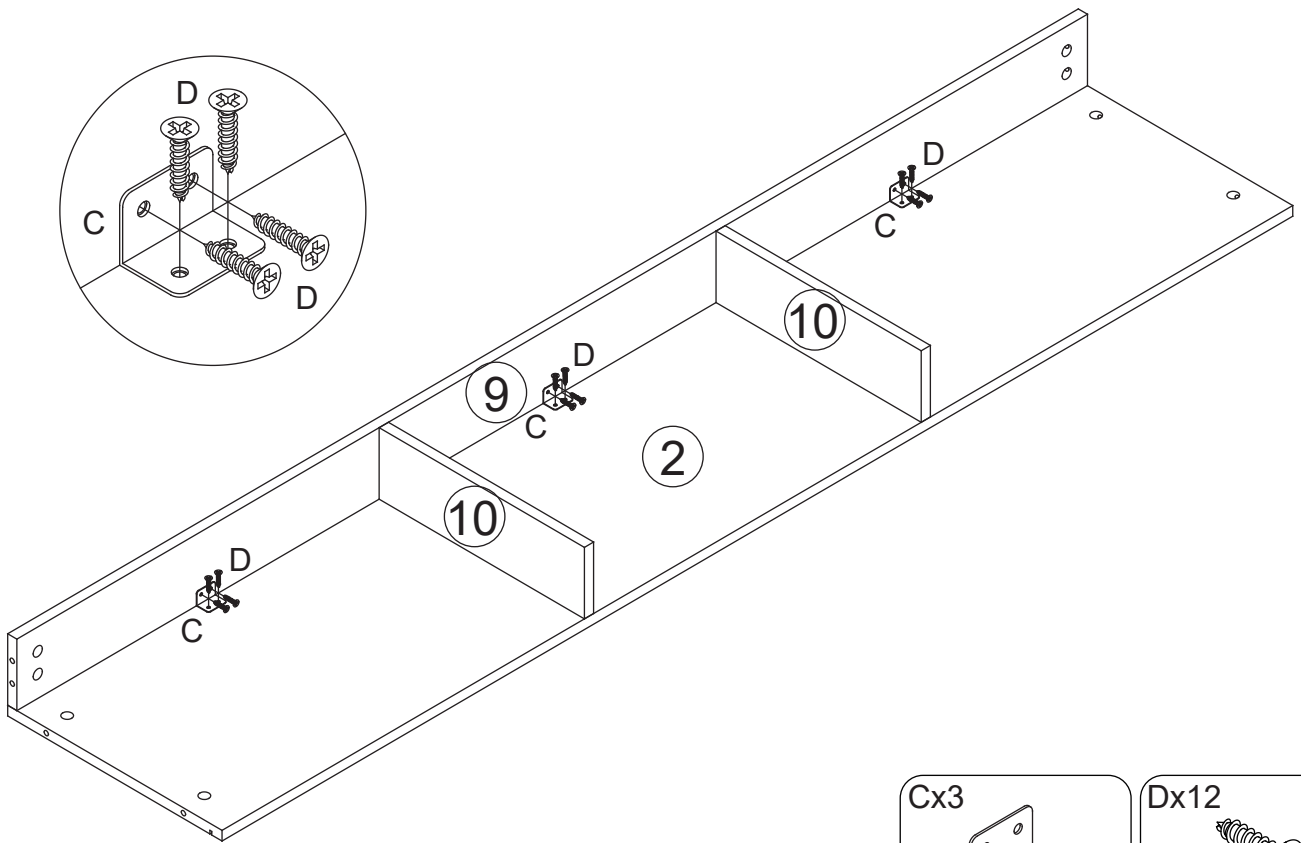
## STEP 1



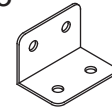
## STEP 2



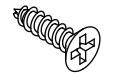
## STEP 3



Cx3



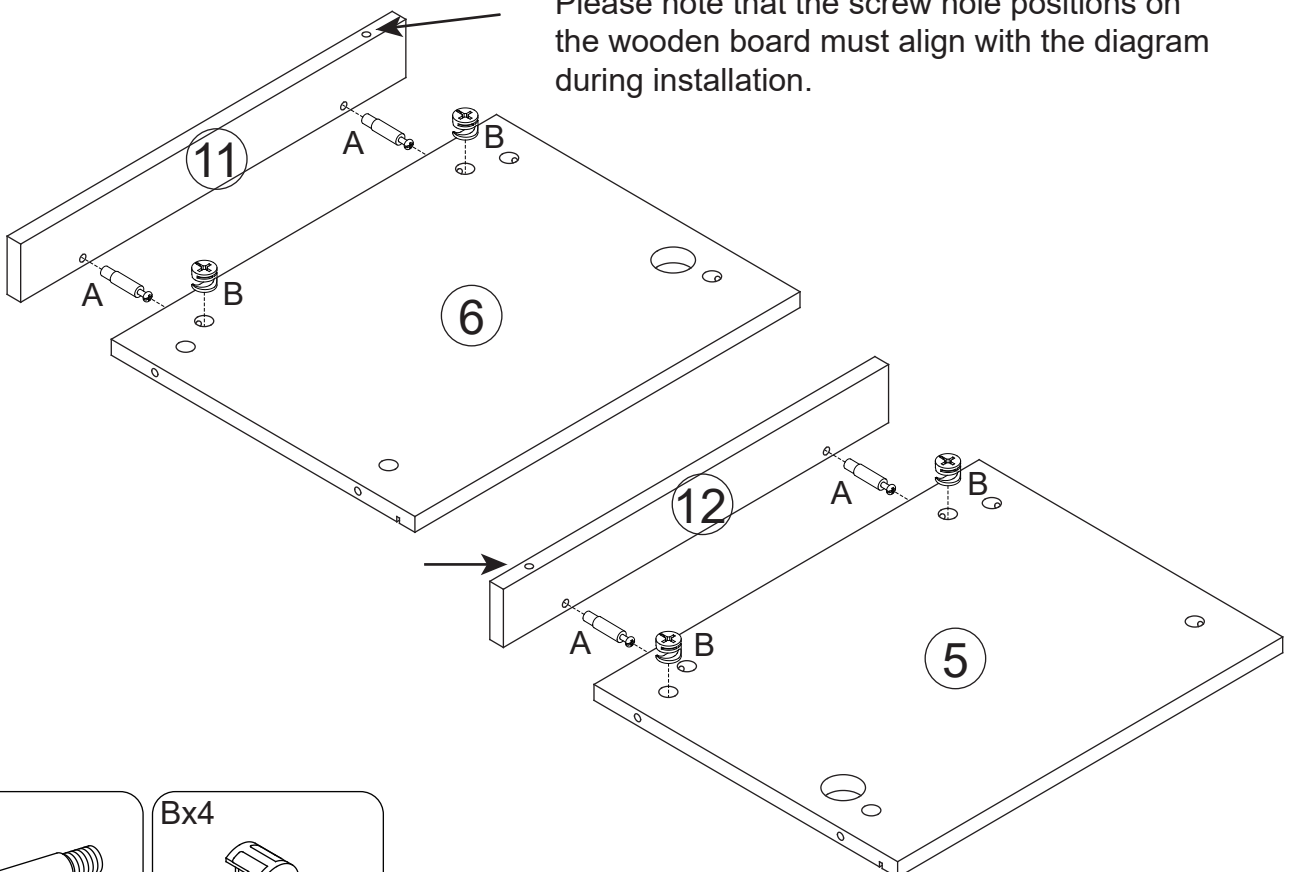
Dx12



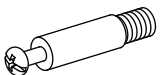
M3.5x14

## STEP 4

Please note that the screw hole positions on the wooden board must align with the diagram during installation.



Ax4

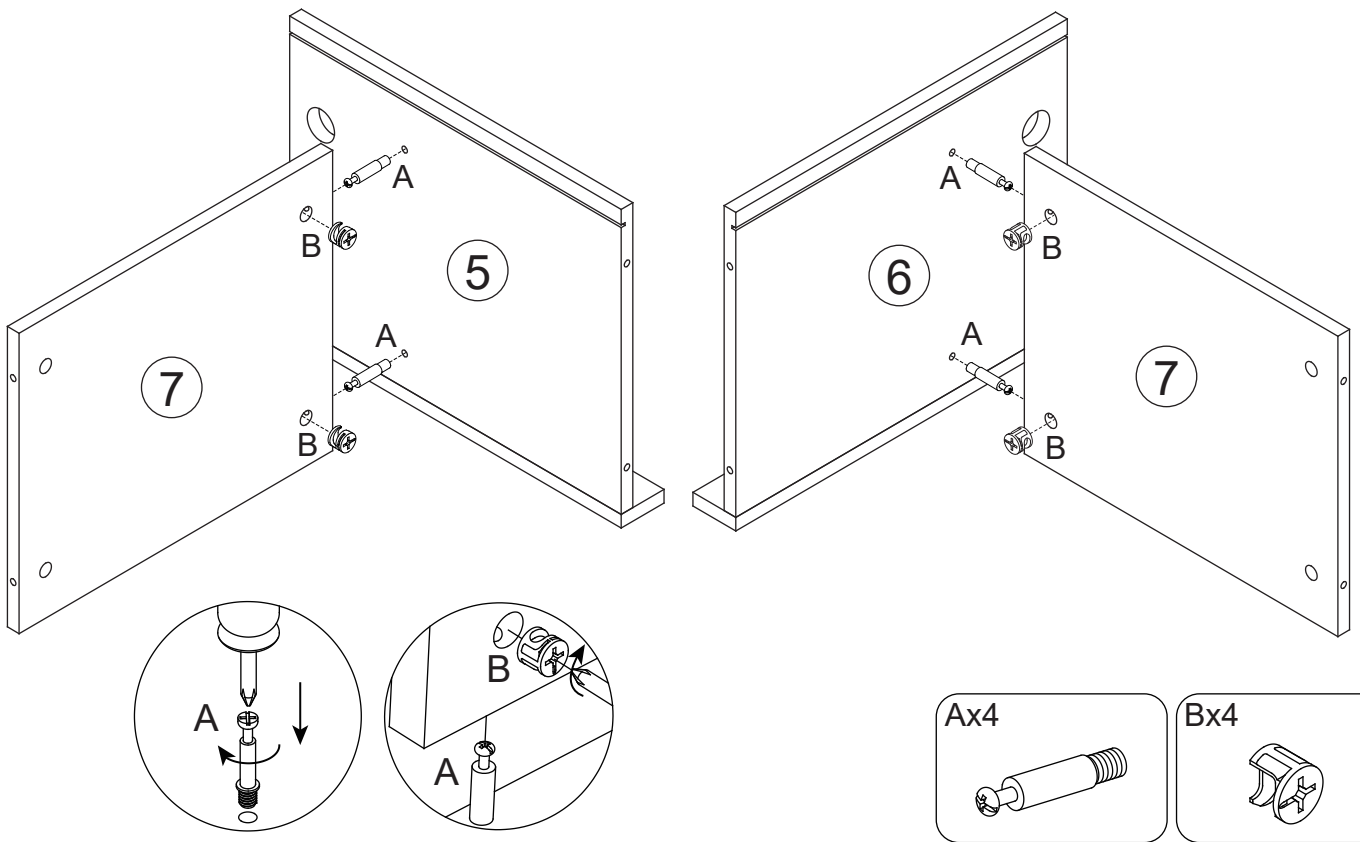


Bx4

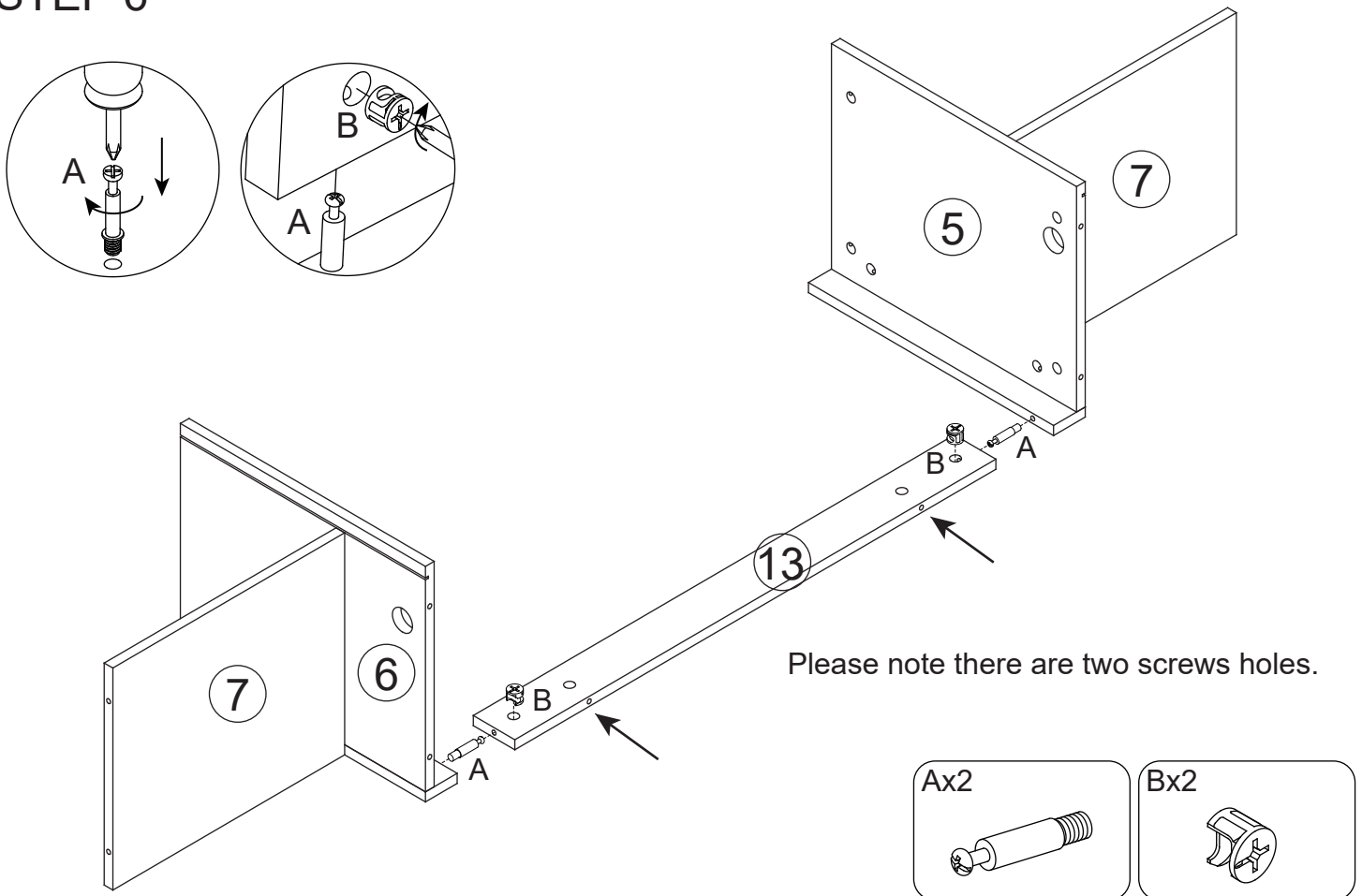


# Installation steps

## STEP 5

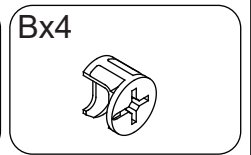
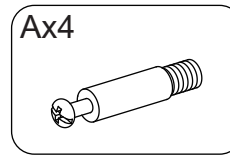
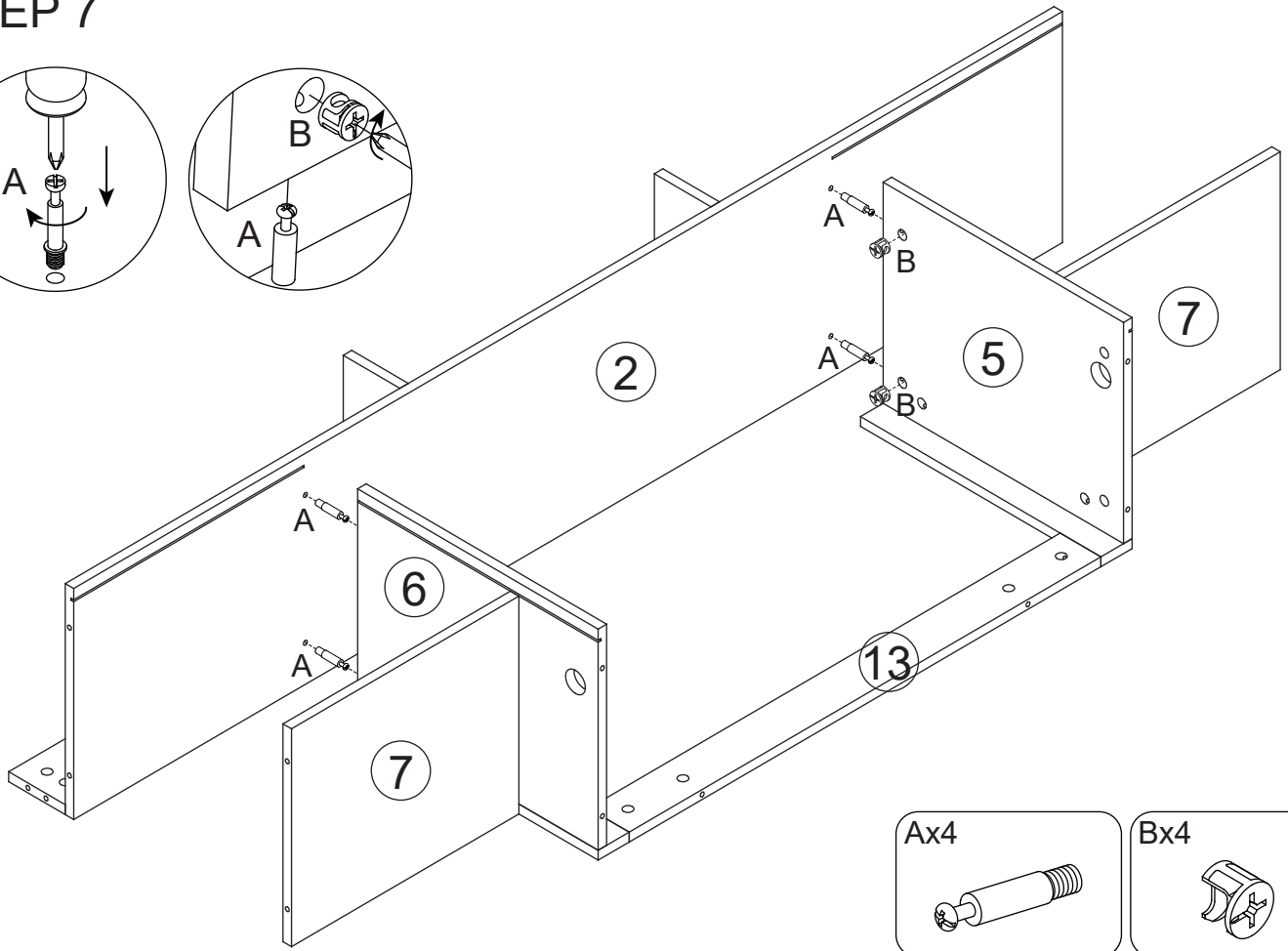
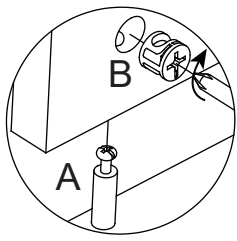
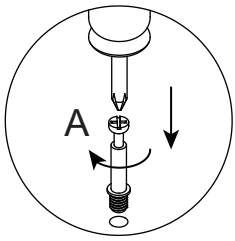


## STEP 6

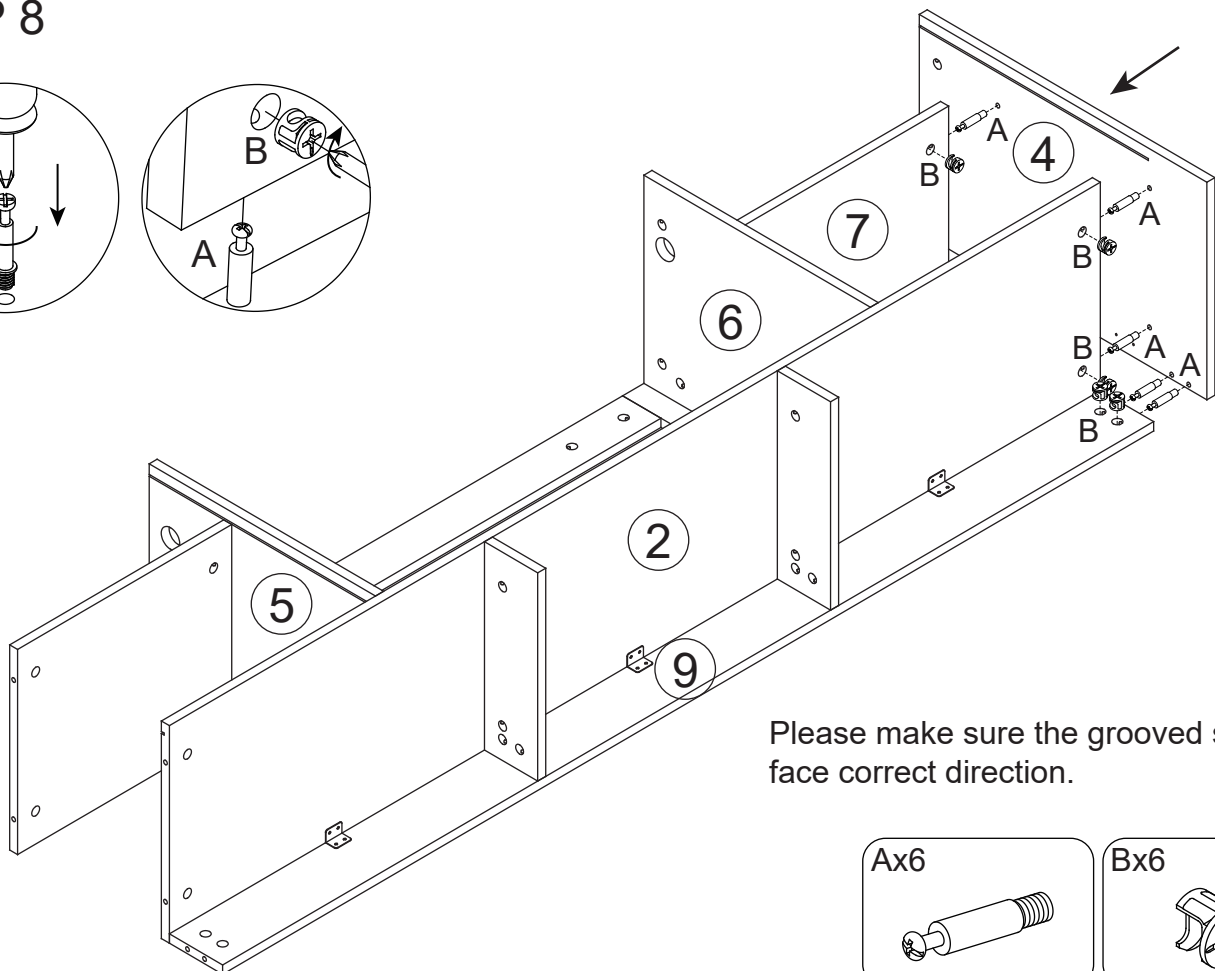
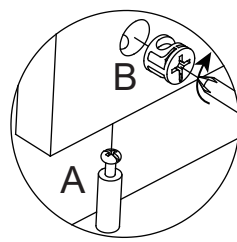
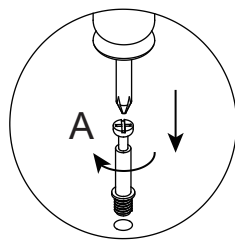


# Installation steps

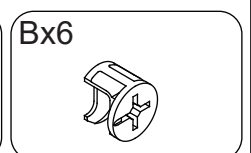
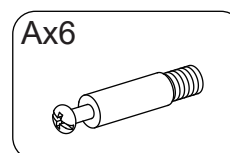
## STEP 7



## STEP 8

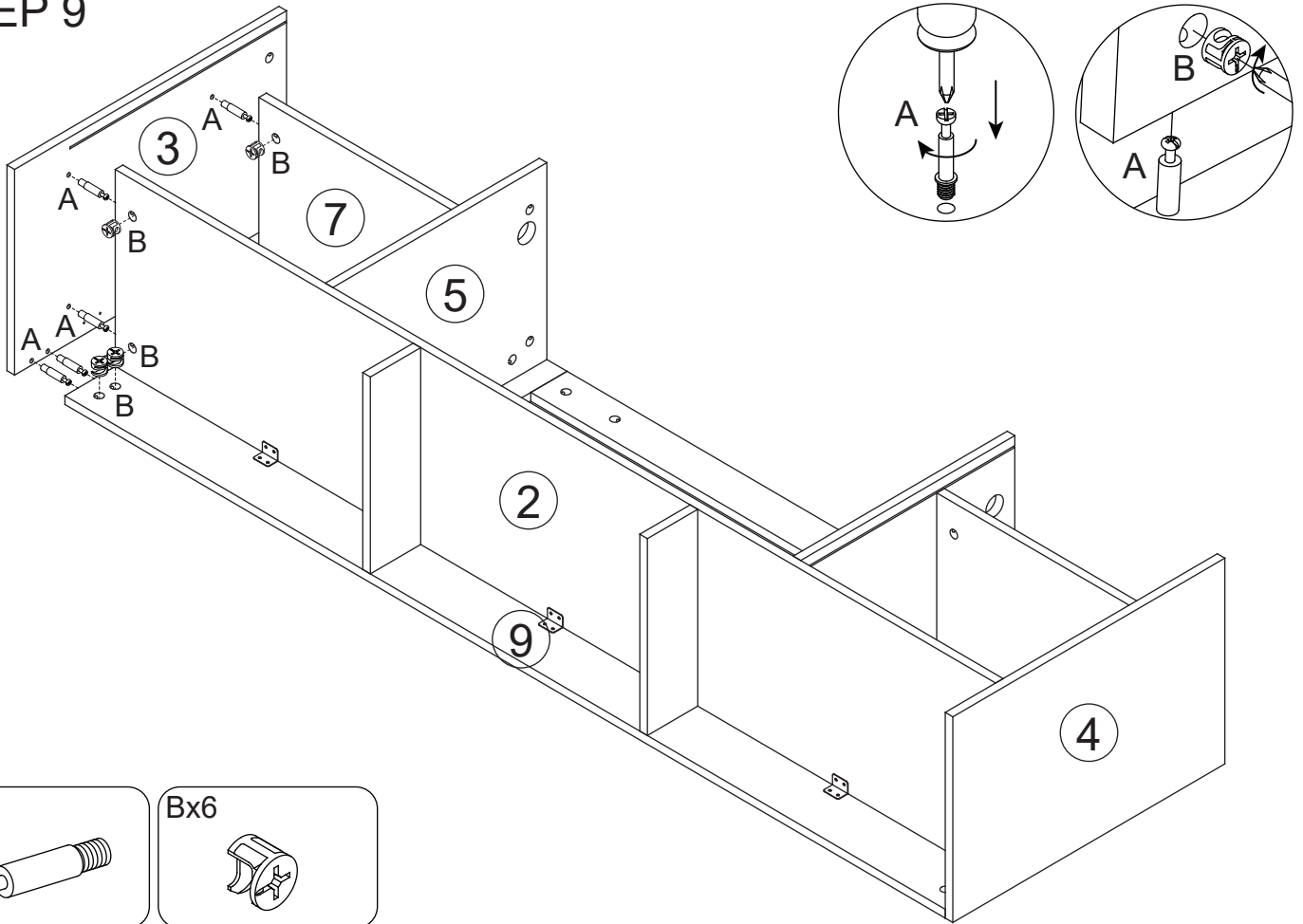


Please make sure the grooved side face correct direction.

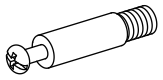


# Installation steps

## STEP 9



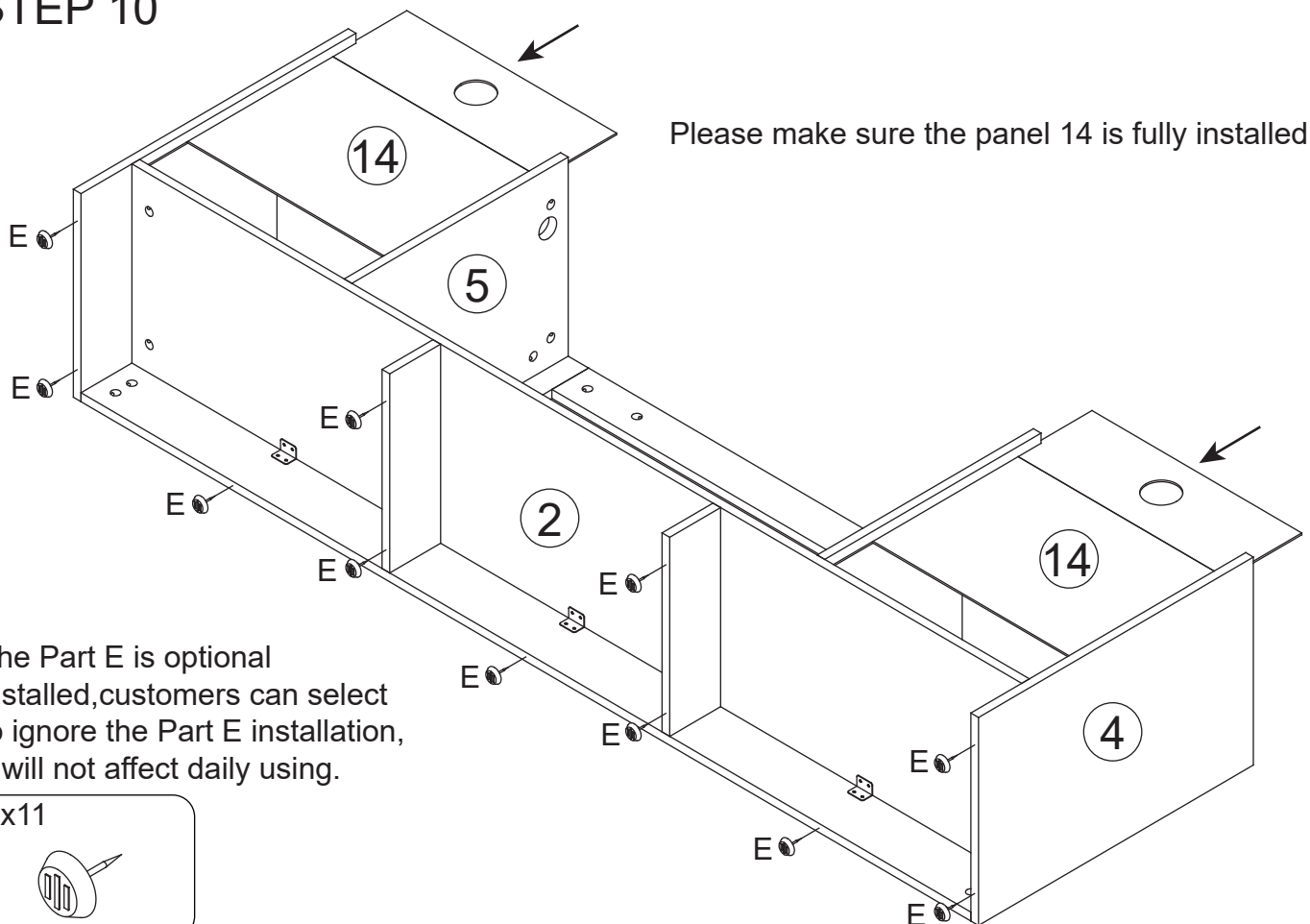
Ax6



Bx6



## STEP 10

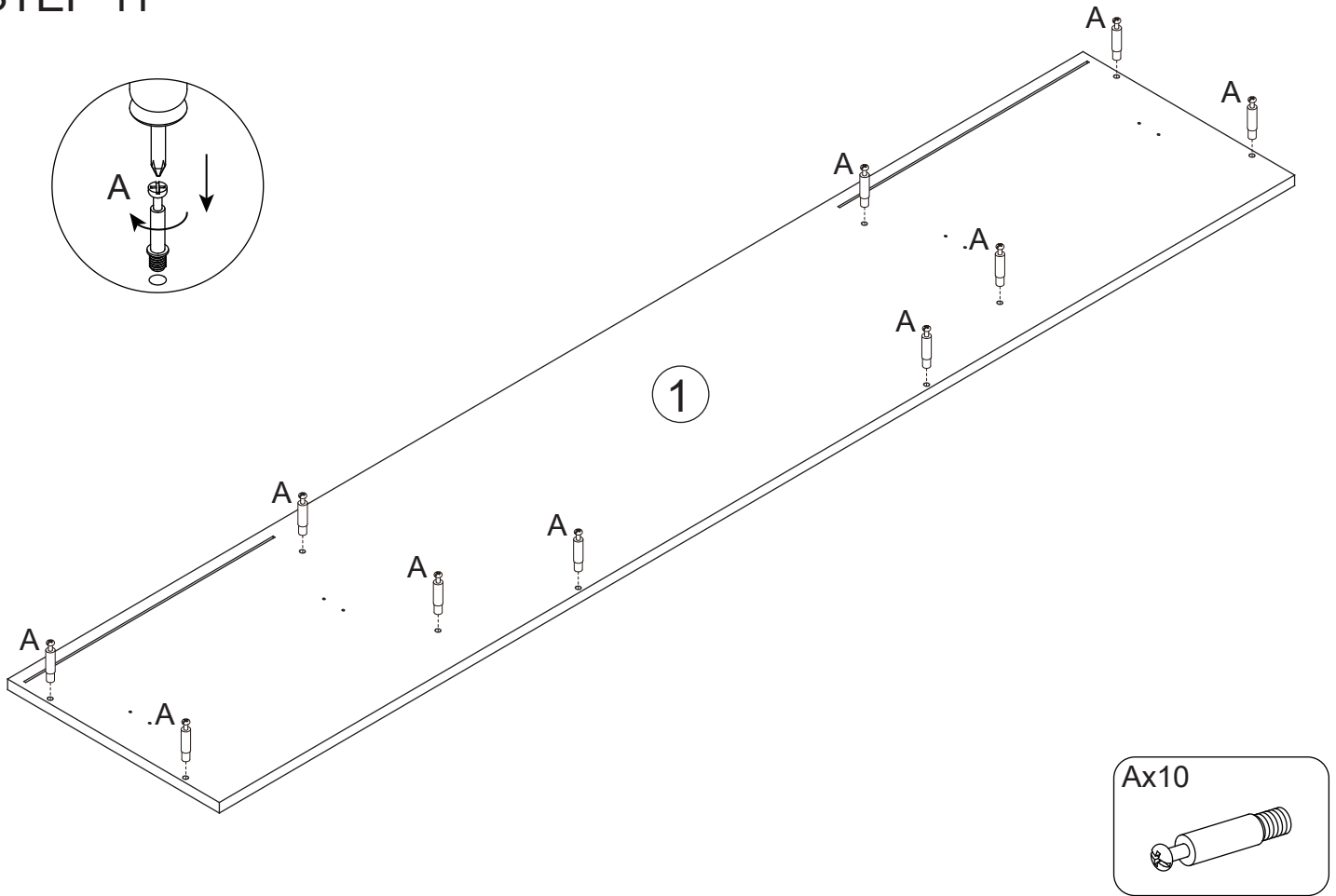


The Part E is optional installed, customers can select to ignore the Part E installation, it will not affect daily using.

Ex11



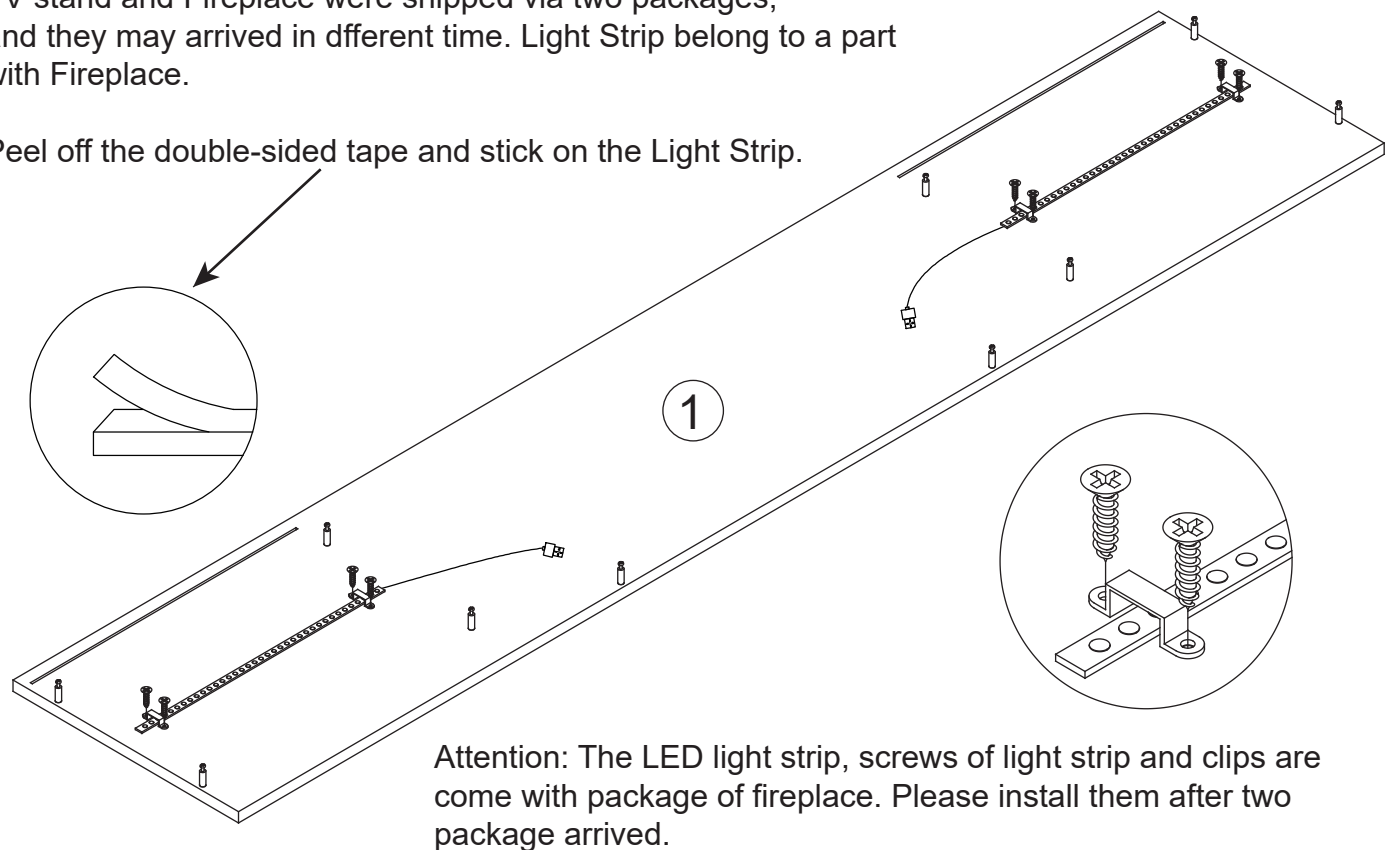
## STEP 11



## STEP 12

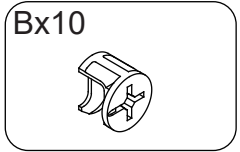
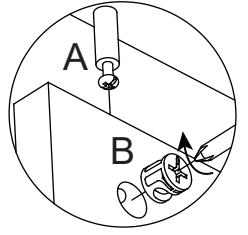
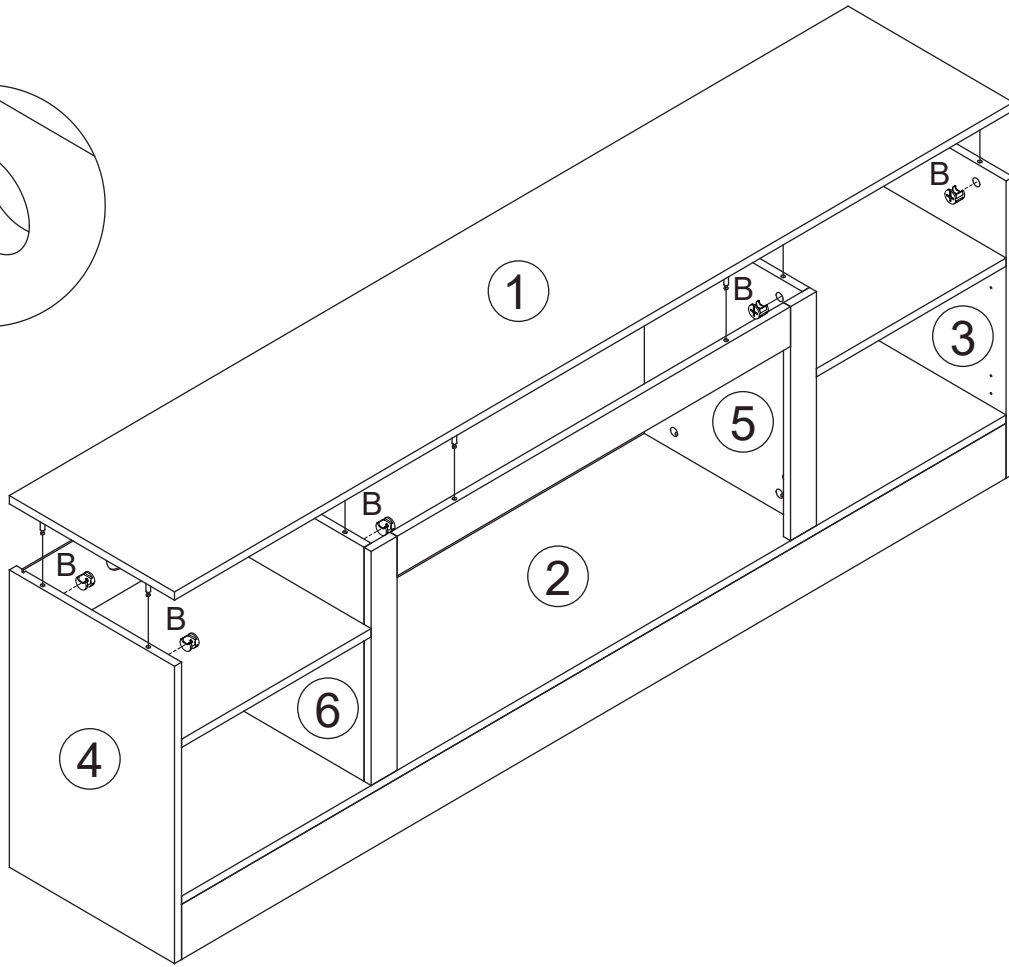
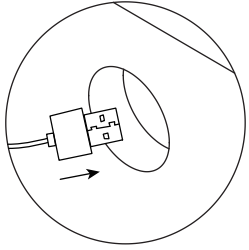
TV stand and Fireplace were shipped via two packages, and they may arrived in different time. Light Strip belong to a part with Fireplace.

Peel off the double-sided tape and stick on the Light Strip.

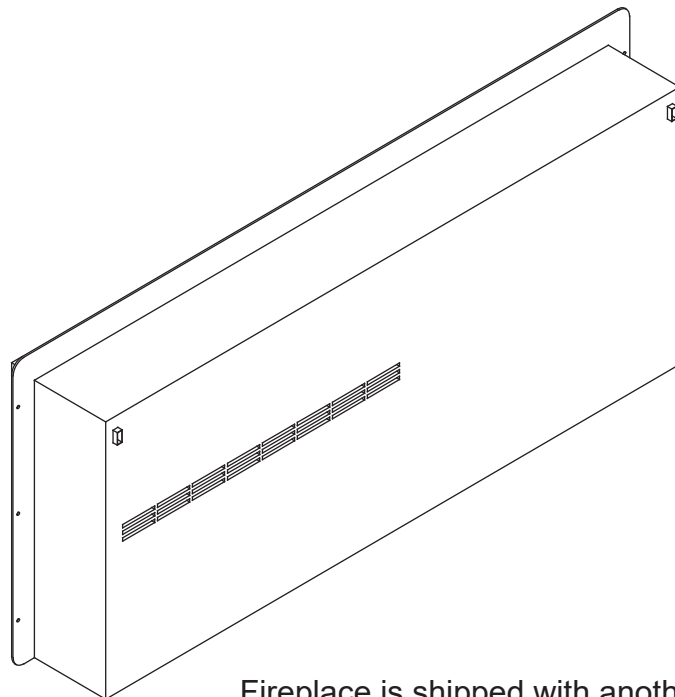


Attention: The LED light strip, screws of light strip and clips are come with package of fireplace. Please install them after two package arrived.

# Installation steps



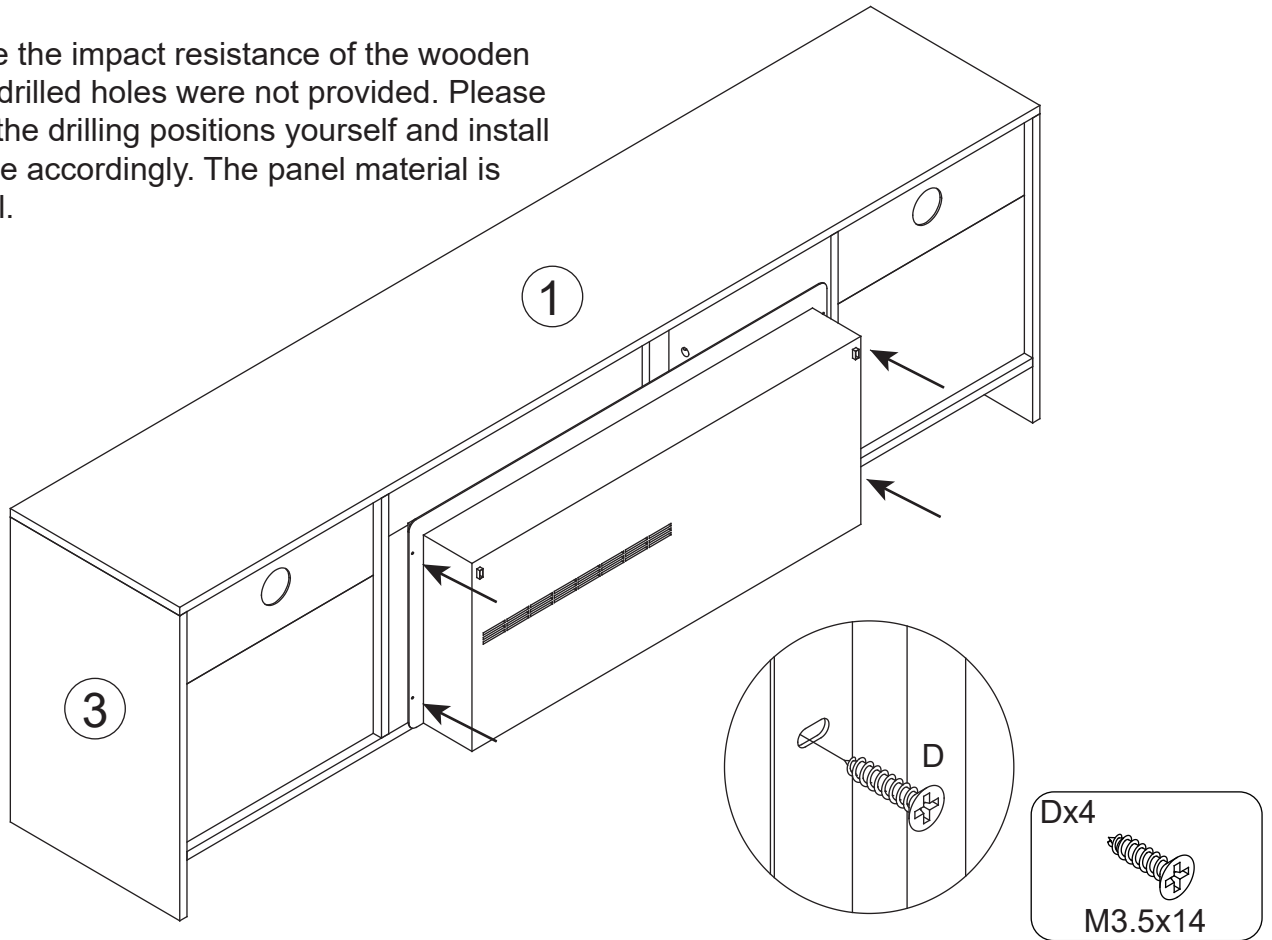
## STEP 13



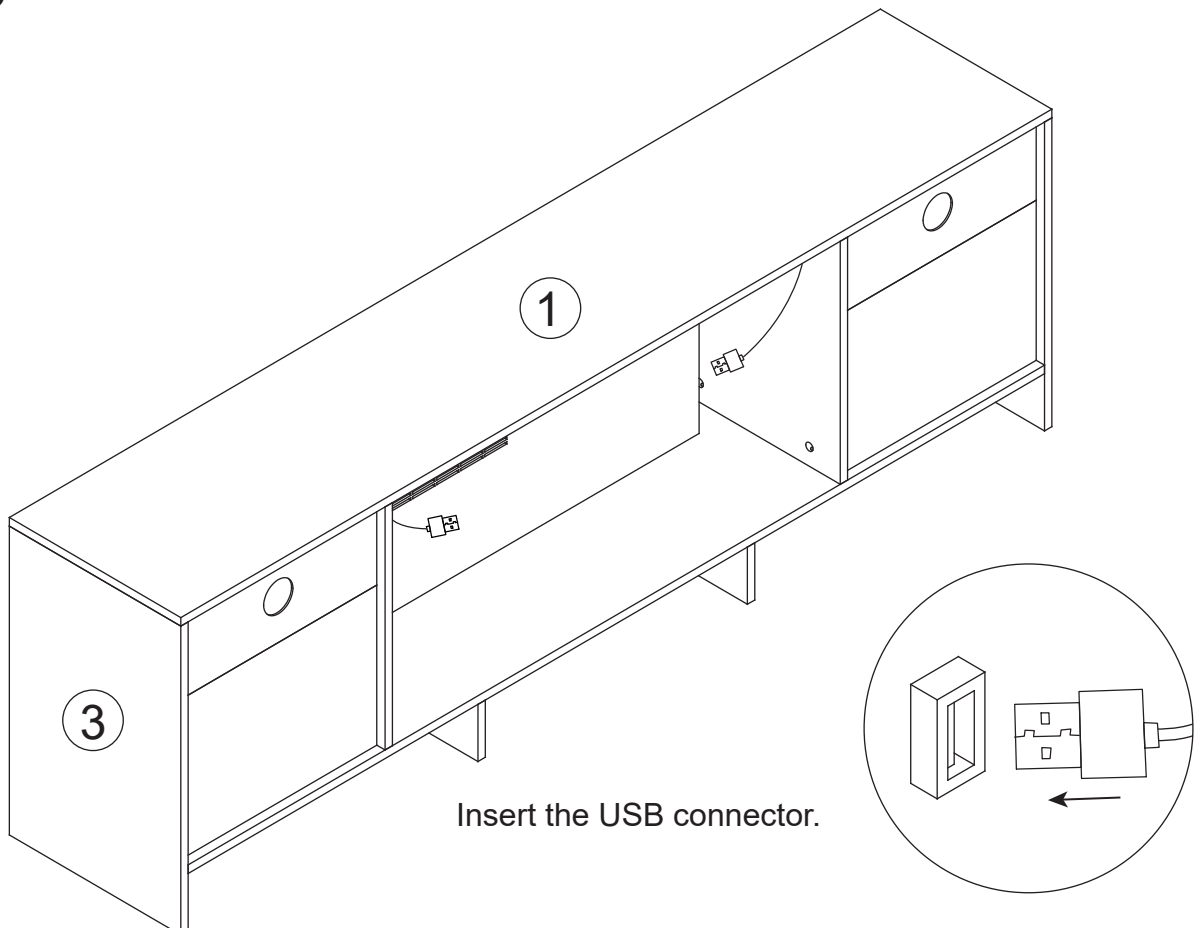
Fireplace is shipped with another package.

## STEP 14

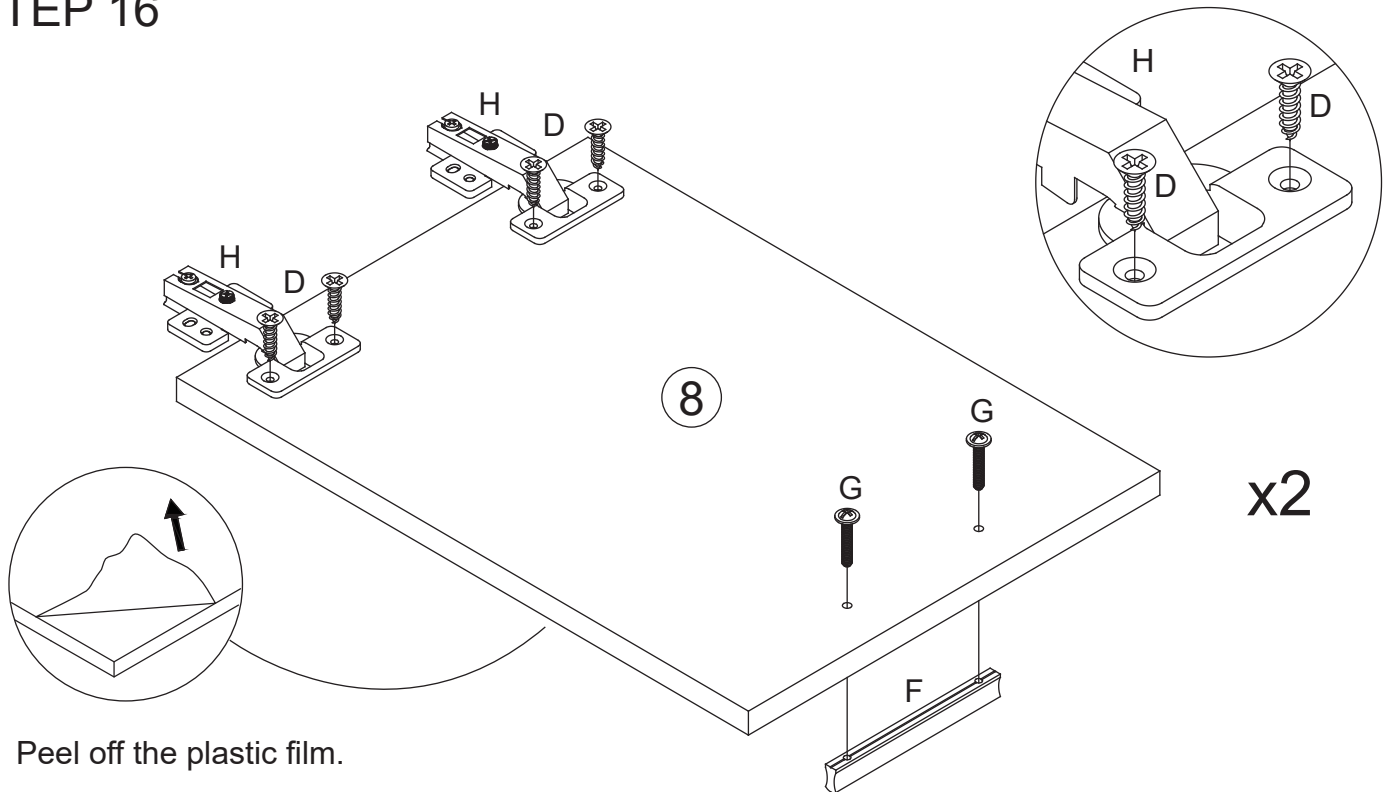
To enhance the impact resistance of the wooden panel, pre-drilled holes were not provided. Please determine the drilling positions yourself and install the fireplace accordingly. The panel material is easy to drill.



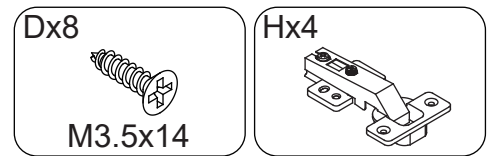
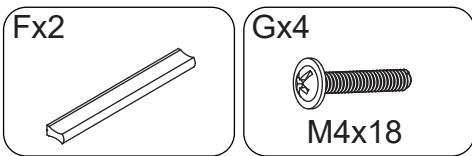
## STEP 15



## STEP 16

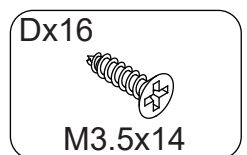
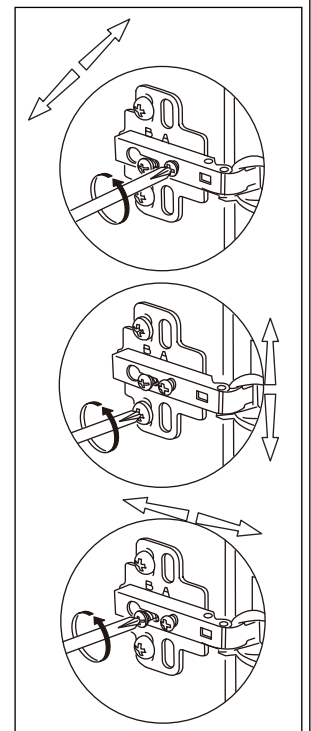
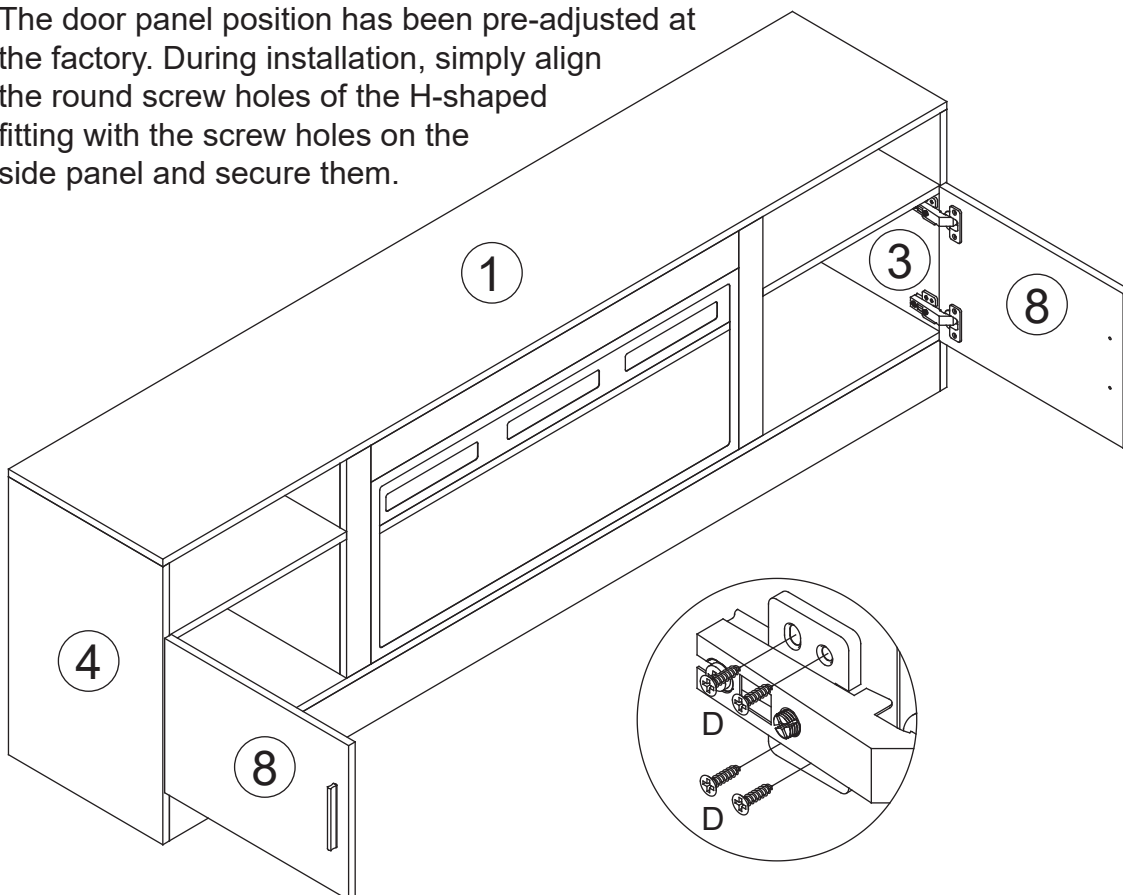


Peel off the plastic film.

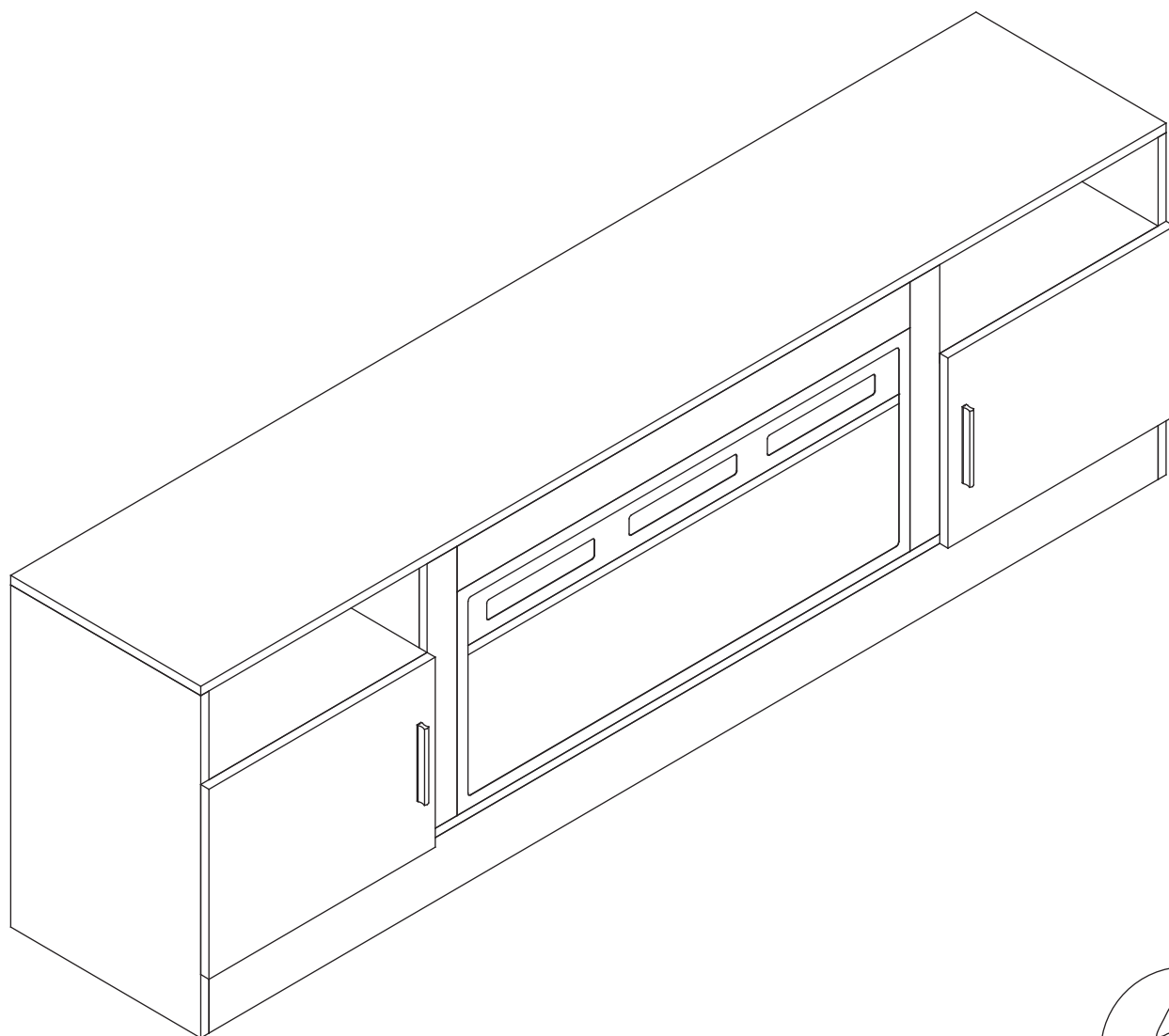


## STEP 17

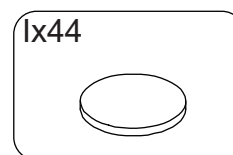
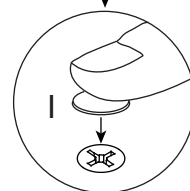
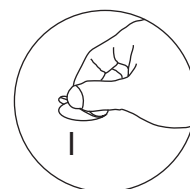
The door panel position has been pre-adjusted at the factory. During installation, simply align the round screw holes of the H-shaped fitting with the screw holes on the side panel and secure them.



## STEP 18



Install the I to cover the screw holes.



# HELP CENTER

## WE STAND BEHIND THE QUALITY OF OUR PRODUCT

1. If you have any other issues with your item(s), please feel free to contact us! We will always do our best to come up with a solution that you will be happy with.
2. Please get in touch with our customer service team before returning the item(s).
3. Please do not throw away the original box(es) if you have not finished assembling and confirmed no quality issues.

## RETURN POLICY

### **Length of return period:**

You can return the item(s) within 30 days of purchase.

In the meanwhile, everything you purchased from us comes with a one-year warranty.

### **Who is responsible for the return shipping fee:**

We will cover the return shipping fees if:

1. Your item has a manufacturing defect in materials or workmanship. For example, material cracking or screw hole misalignment. We will send you a prepaid shipping label after you send us photos or videos of the defects.
2. Your item has been damaged in transit. For example, metal part is broken or product is damaged. We will send you a prepaid shipping label after you send us photos of the damage.
3. You receive the wrong box(es) due to a warehouse error, We will send you a prepaid shipping label after you send us photos of the item(s), shipping label(s) and words(SKU) on the outer box(es).

\* However, we still hope to work with you for a better solution instead of a return. Please don't hesitate to contact our customer service team.

Customer will cover the return shipping fees if:

1. You don't like the item(s) after receiving the box(es).
2. You no longer need the item(s) but have received the box(es).
3. You buy the item(s) by mistake but have received the box(es).
4. Order/shipment cancellation failed, and you have received the box(es).

## **Return Request**

In order to get a full refund as described in this return policy, all items must be:

1. In a brand new/unused condition. Please provide photos before and after packaging.
2. All accessories and parts must be firmly packed in all original packaging before returning. If your return does not meet these requirements, you may not receive a full refund.



## **When can I receive a refund?**



After you return it using the prepaid shipping label we provided and inform us, the refund will be issued once the package(s) have been returned to our warehouse.

## **What can I do if the product is damaged after warranty?**

We want you to be a happy customer. Please reach out to us via email or text, and we will work on a solution to ensure your satisfaction.

**Question about your product? Please do not hesitate to email or text us. We will reply to you within 24-48 hours.**

 +1(503) 928-7812  
 hellovitesse@gmail.com

 Instagram: vitessegaming  
 YouTube : vitessegaming

**SAVE THESE INSTRUCTIONS**