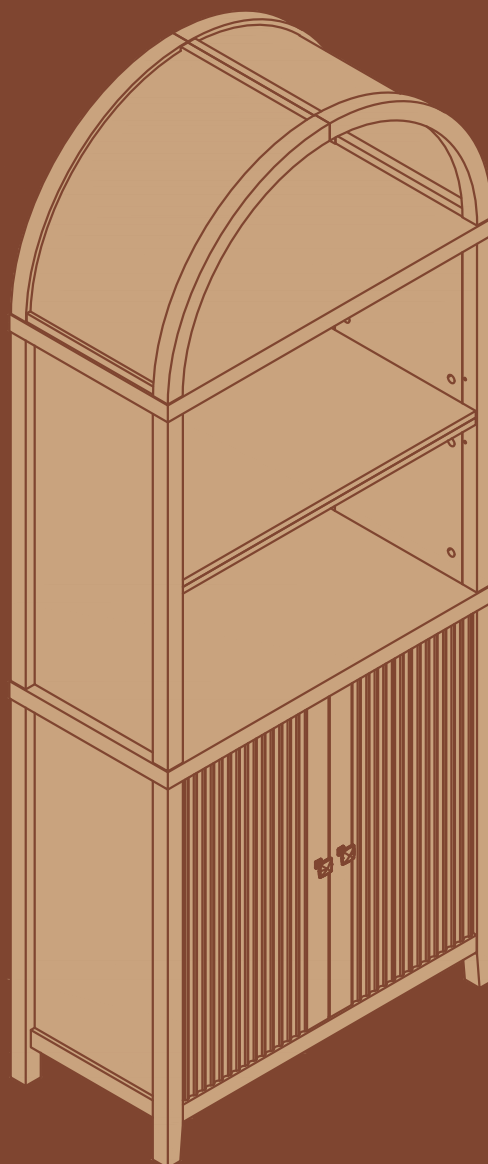


ASSEMBLY INSTRUCTION



Bookcase

CATALOGUE

Precautions	01
Parts List	02-03
Hardware List	04
Tool List	05
Assembling Process	06-34

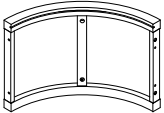
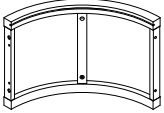
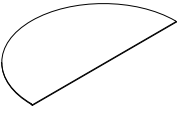
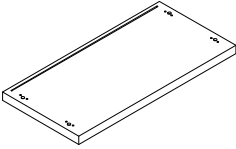
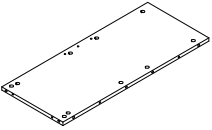
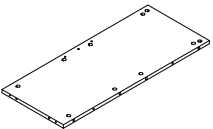
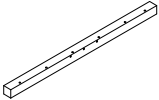
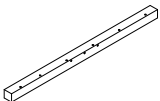
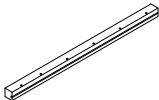
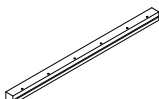
INTRODUCTION

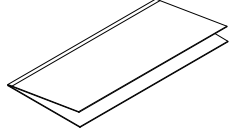
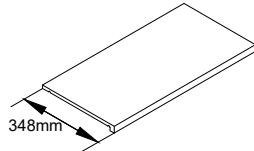
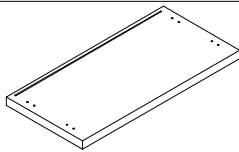
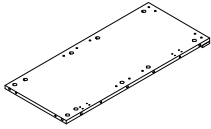
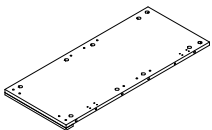
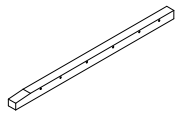
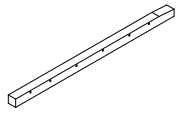
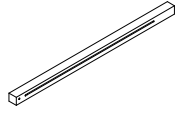
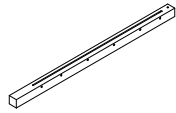
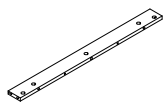
Thank you for purchasing our products. Please read the instructions carefully before installation and keep it in a safe place for future reference. If you need any assistance or support, please feel free to contact our customer support team.

PRECAUTIONS

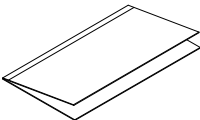
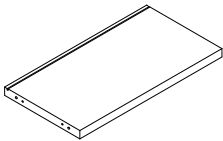
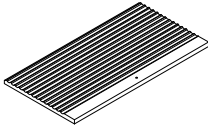
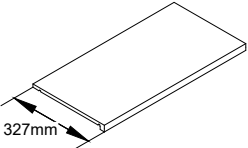
1. There are many components and accessories in the package. Each component and accessory is labeled with a letter or a number, check carefully before using any of them. Keep them away from children to prevent accidents.
 2. Please install the product on a clean and soft underlay (such as carpet or cardboard) to avoid scratching or damaging the surface of the product.
 3. The main components of the product is relatively heavy. Please pay attention to safety during installation.
 4. The product is not stable during installation. Please do not move it randomly before it is completely installed.
 5. If you have any questions during installation, please contact the customer service in time.
- * Please be sure to follow the installation steps in the manual to avoid unnecessary losses caused by improper installation.
 - * If you need further assistance, please contact the customer service online.

Parts List



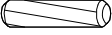

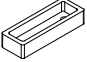


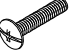
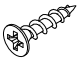
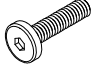
ID	Parts	QTY
1		1
2		1
3		1
4		1
5		1
6		1
7		1
8		1
9		1
10		1

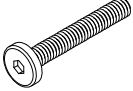
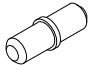
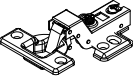
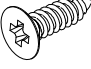


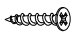

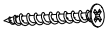


ID	Parts	QTY
11		1
12		1
13		1
14		1
15		1
16		1
17		1
18		1
19		1
20		1

Parts List

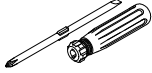

ID	Parts	QTY
21		1
22		1
23		2
24		1

Hardware List

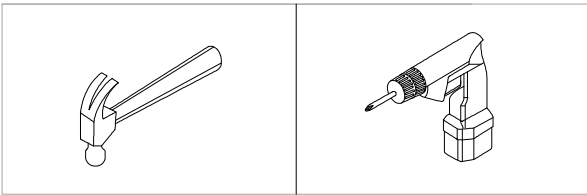
ID	Parts	QTY
A	Ø6*33.5mm 	49+4
B	Ø15*9.5mm 	49+4
C	Ø6*30mm 	40+4
D		4
E		1
F	Ø5*50mm 	4+1
G		2
H	M4*20mm 	2
I	Ø3*15mm 	14+1
J	M6*25mm 	2

ID	Parts	QTY
K	M6*40mm 	4
L		8
M		4
N	Ø4*14mm 	24+2
O	O1x2 140*19mm  O2x4 Ø16xØ6.5x1mm  O3x2 Ø4x16mm 	1 SET
P	P1x2 Ø6*30mm  P2x2 Ø4*35mm 	1 SET
Q		12+1
R		53+5

Tool List

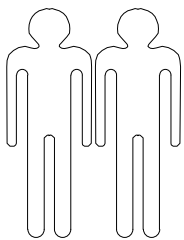
ID	Parts	QTY
Z1		1
Z2	M4 	1

Required Tools (Not Included)

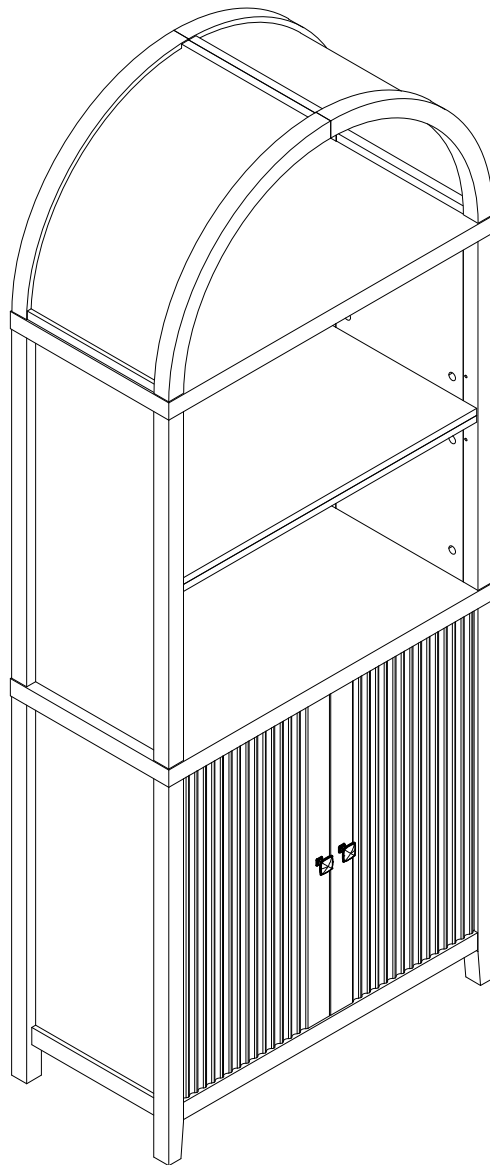


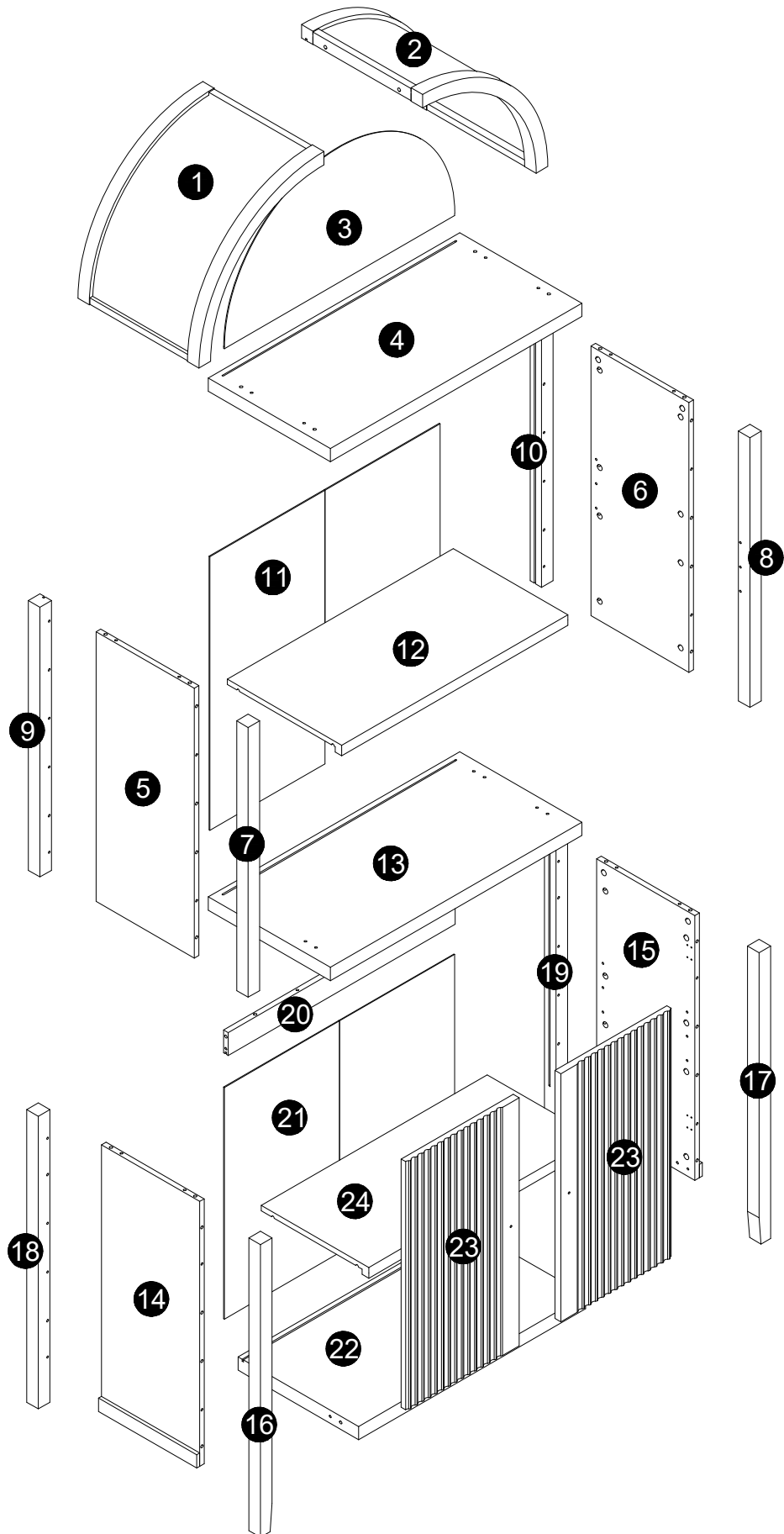
Wall mounting only

These tools are not required for product assembly.

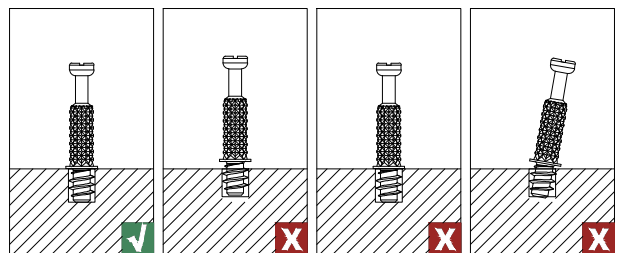
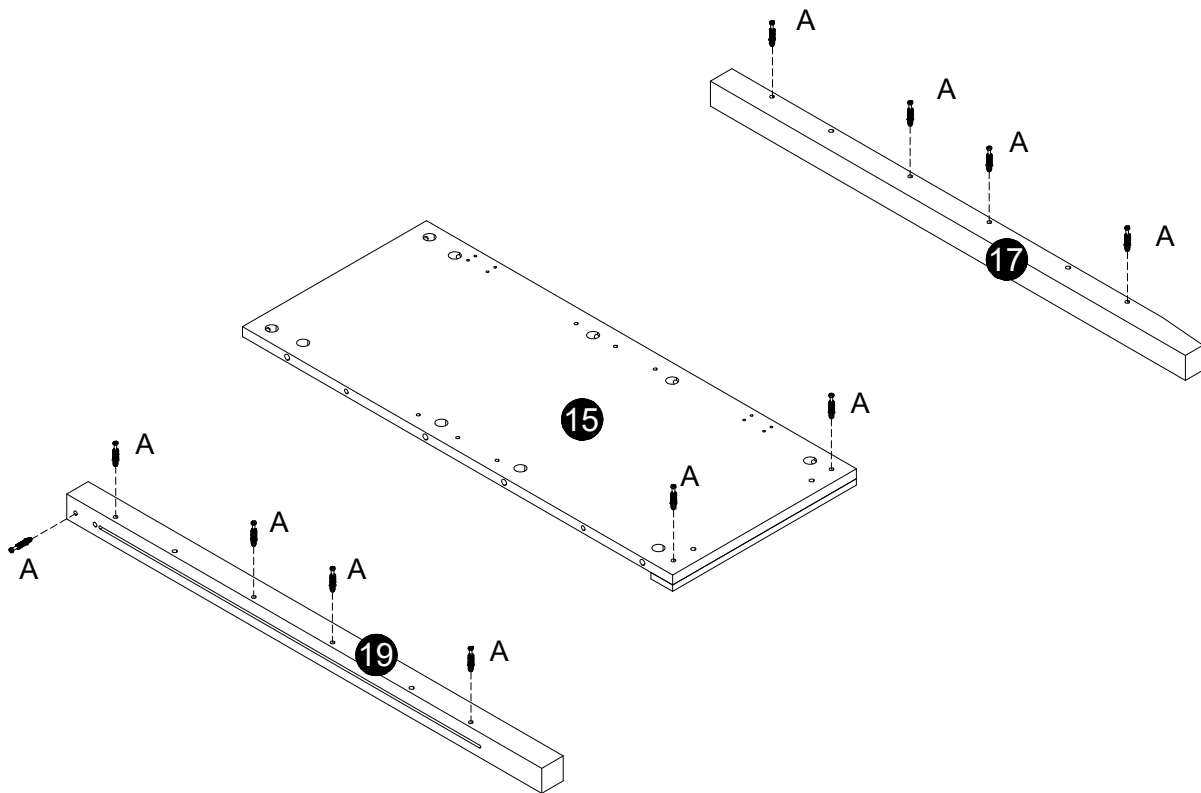


Multi-person installation



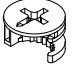
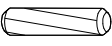


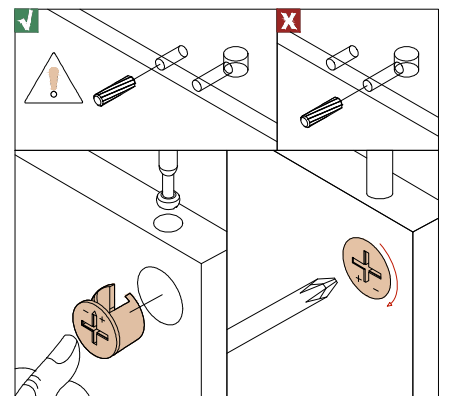
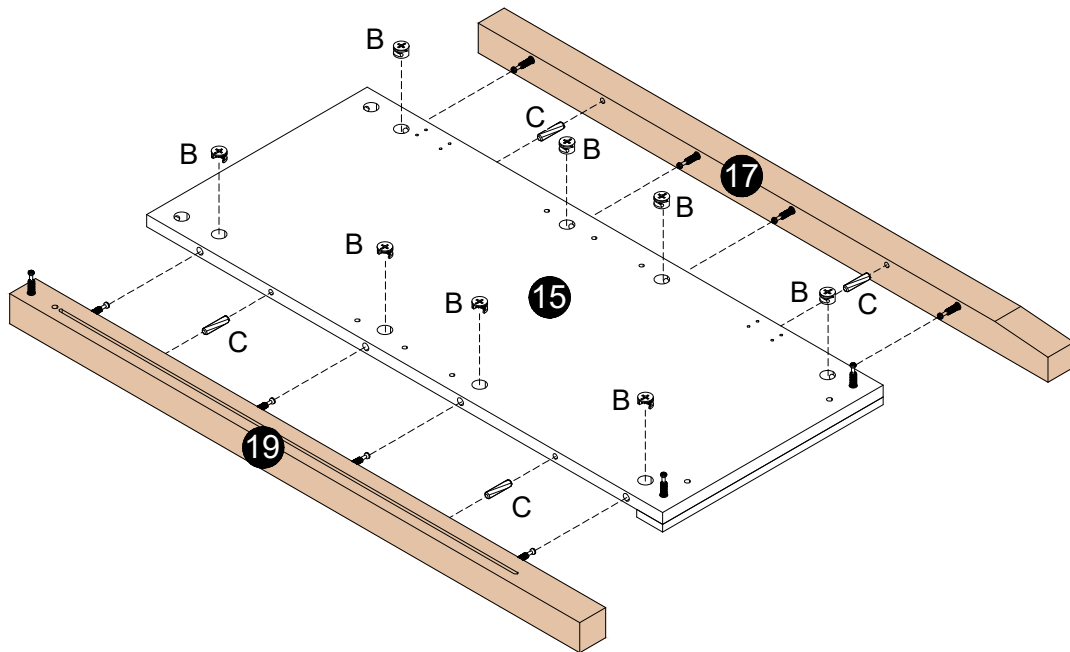
STEP 1

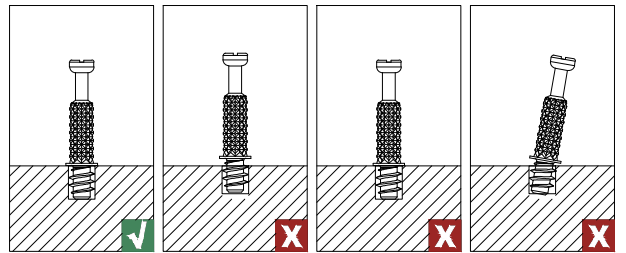
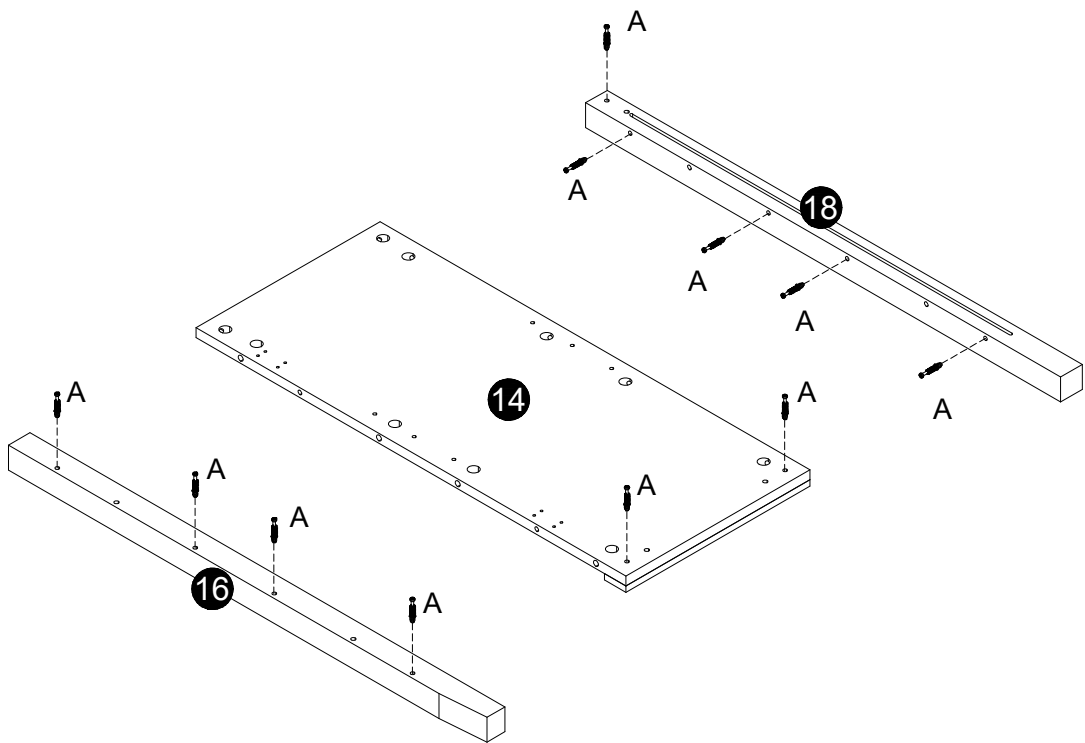


Install the screw correctly to secure the screw.

STEP 2

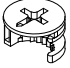
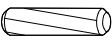
- 
B X8
- 
C X4

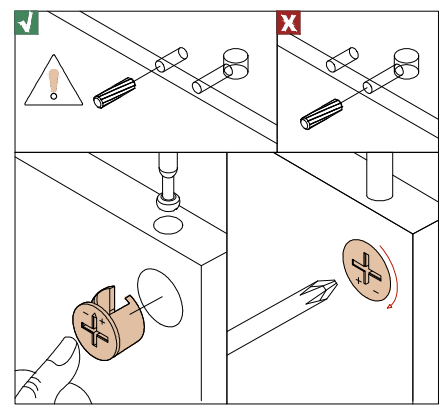
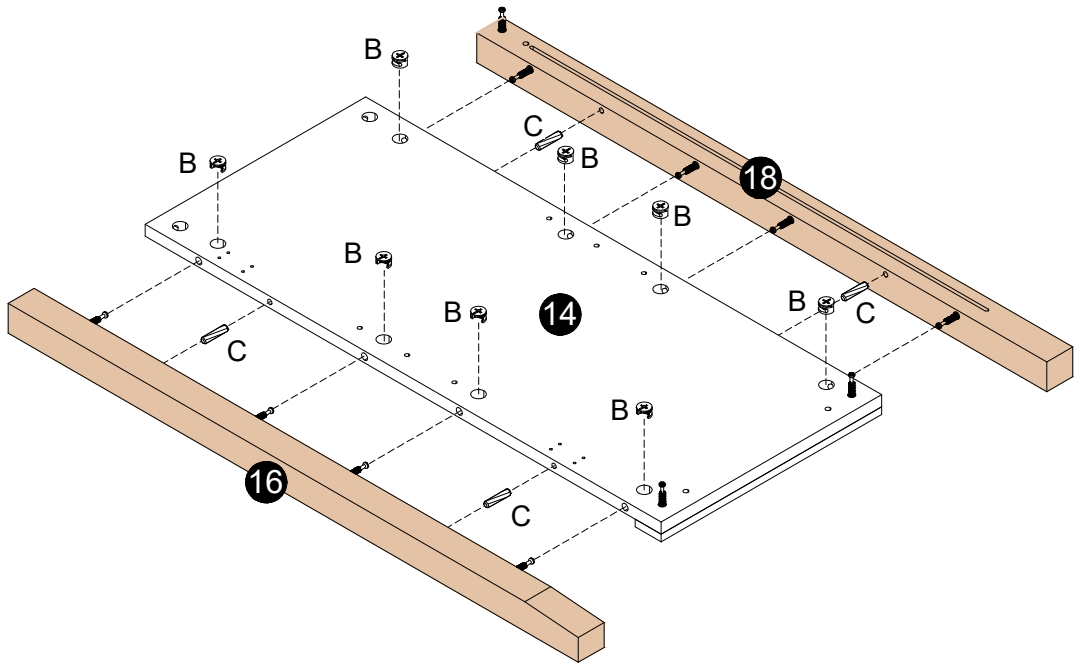


STEP 3

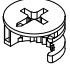
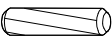
Install the screw
correctly to secure
the screw.

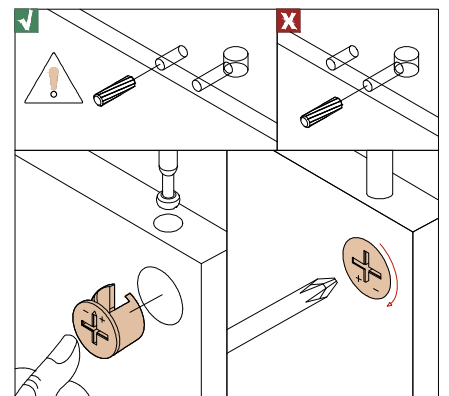
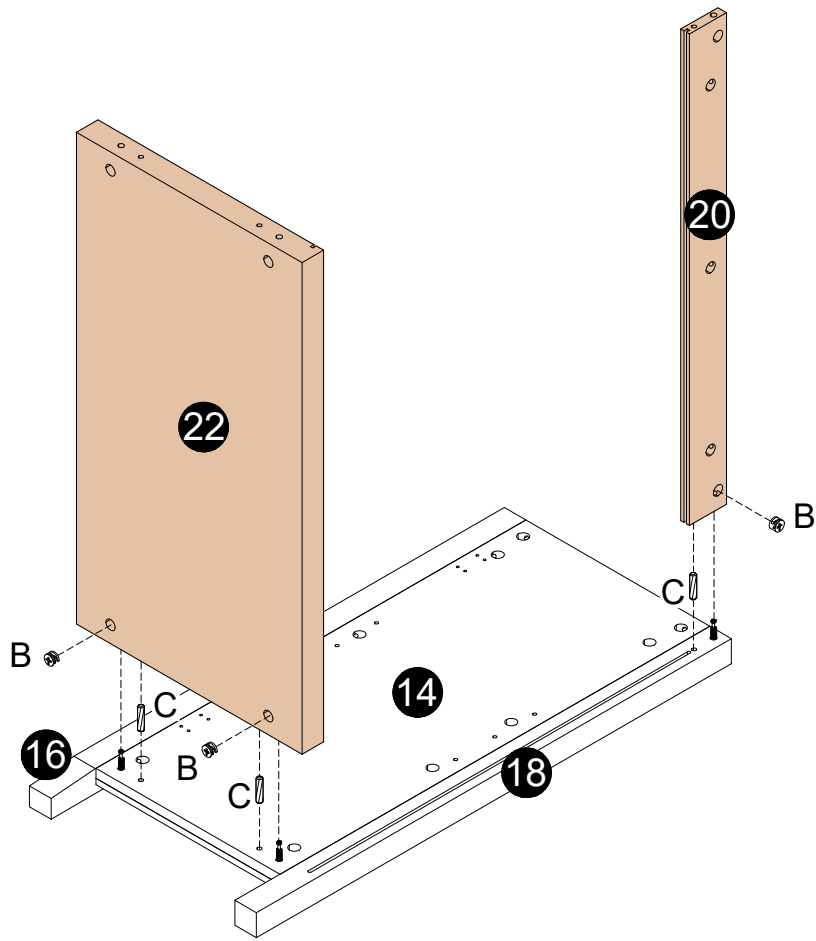
STEP 4

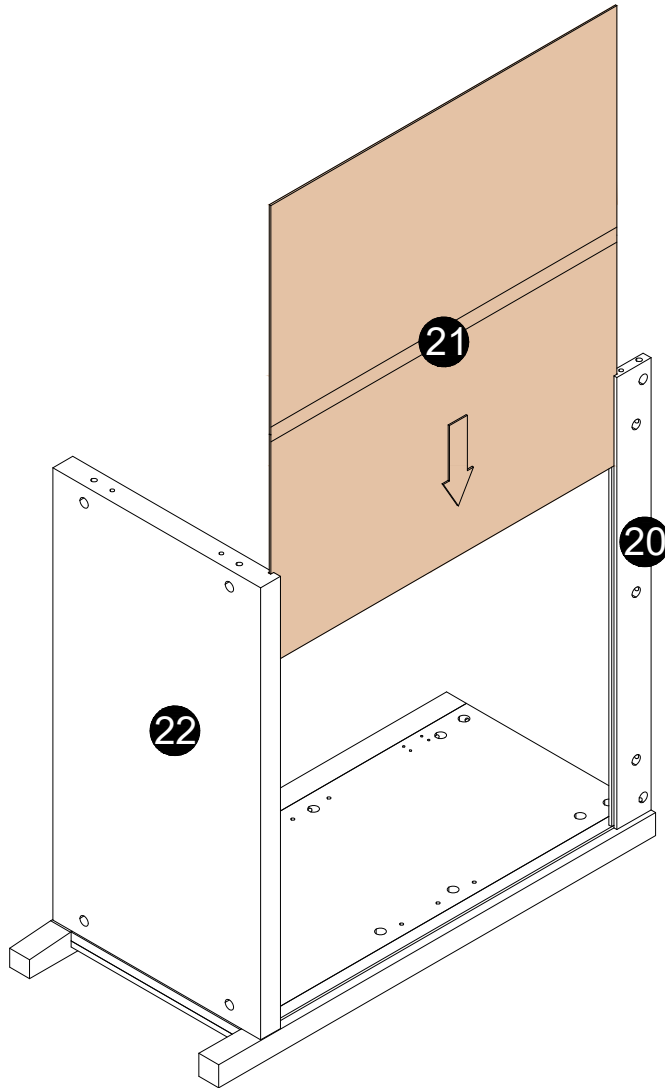
- 
B X8
- 
C X4



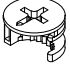

STEP 5

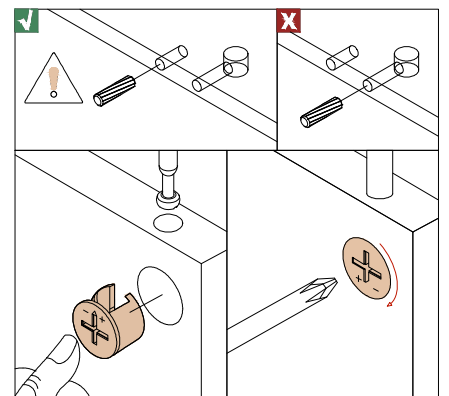
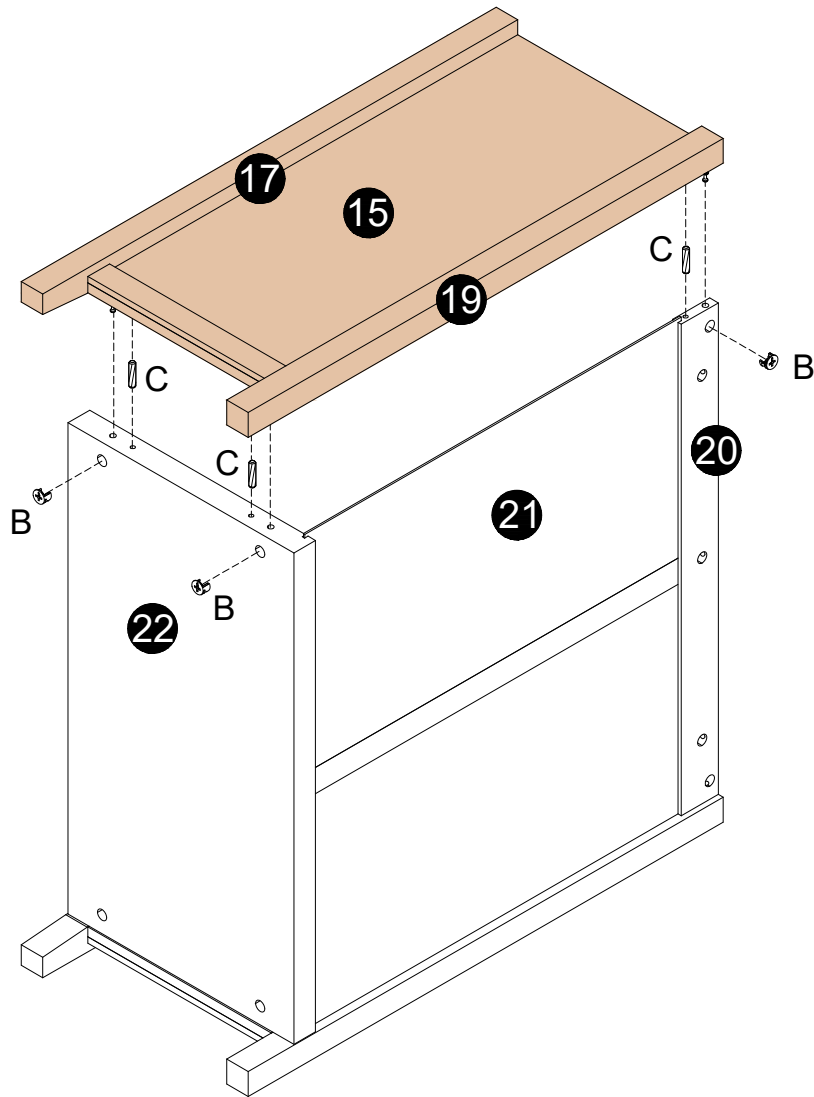
- 
B X3
- 
C X3

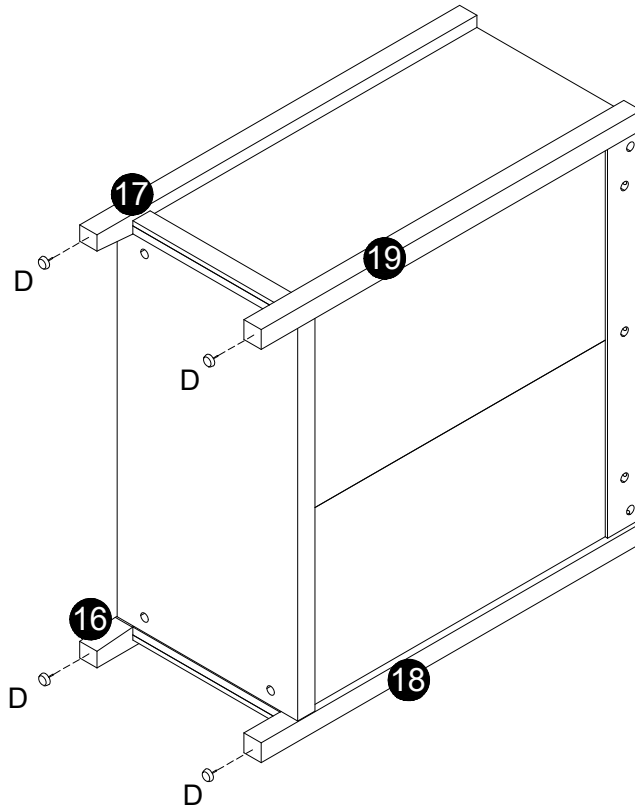


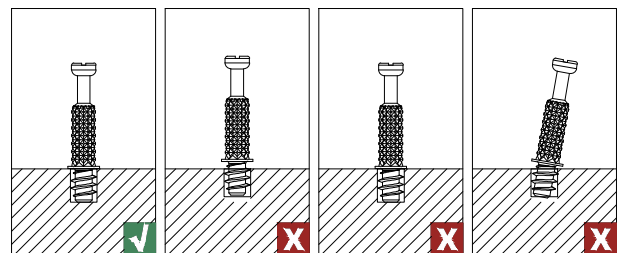
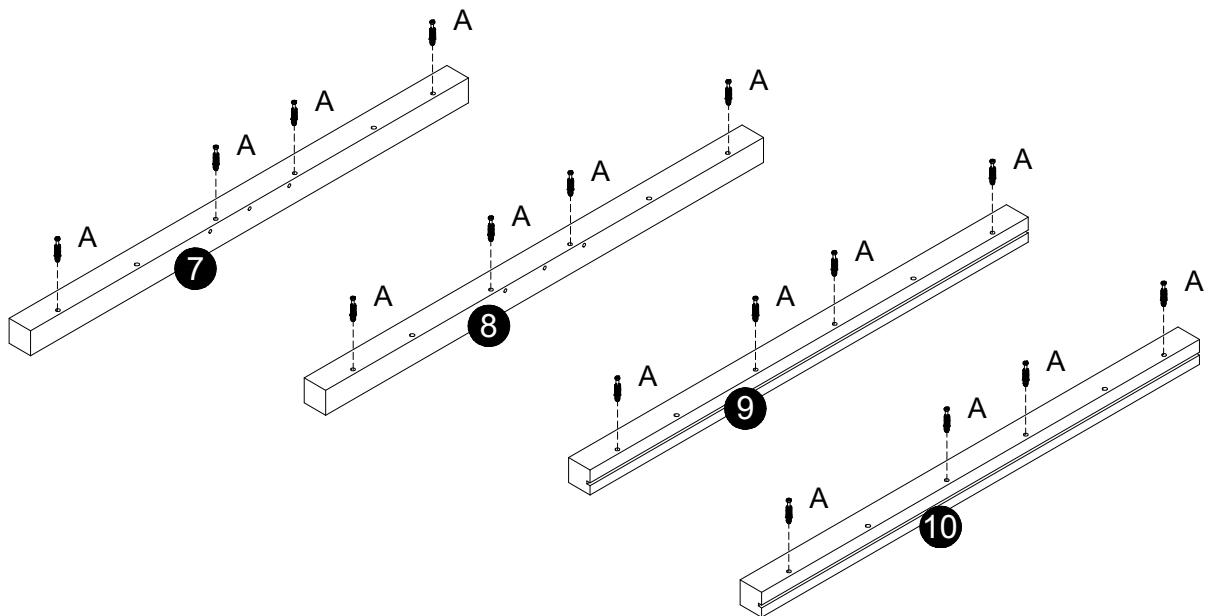
STEP 6

STEP 7

- 
B X3
- 
C X3



STEP 8**D** X4

STEP 9

Install the screw
correctly to secure
the screw.

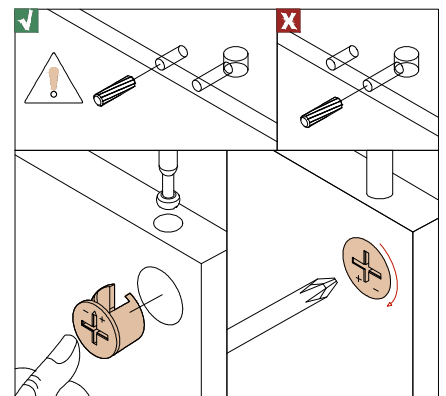
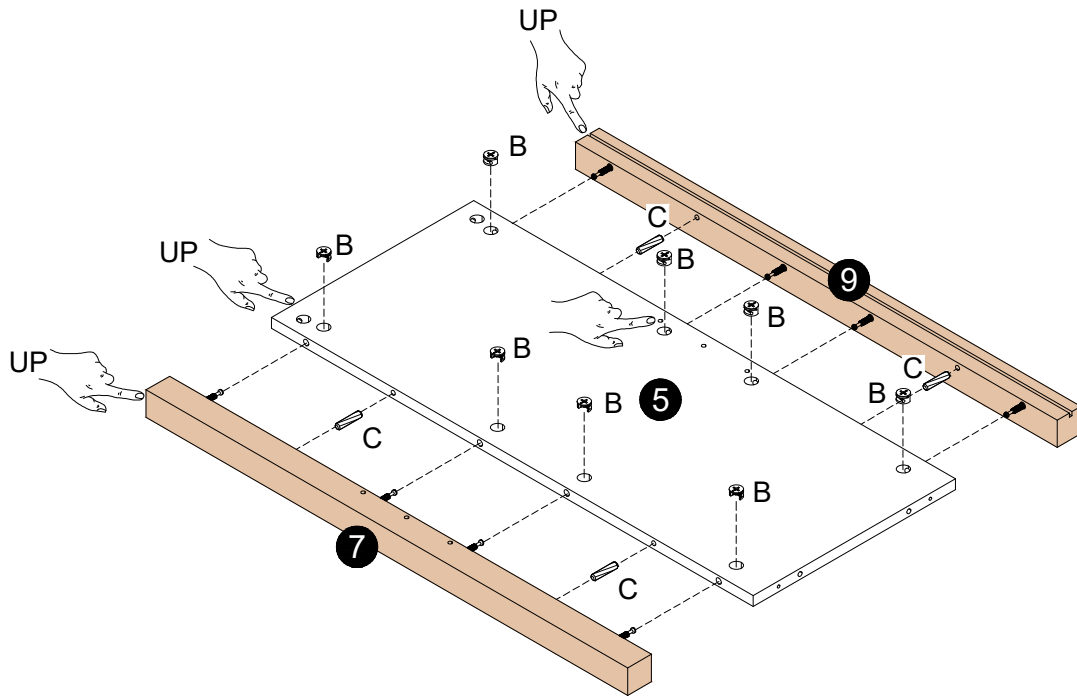
STEP 10

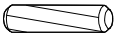
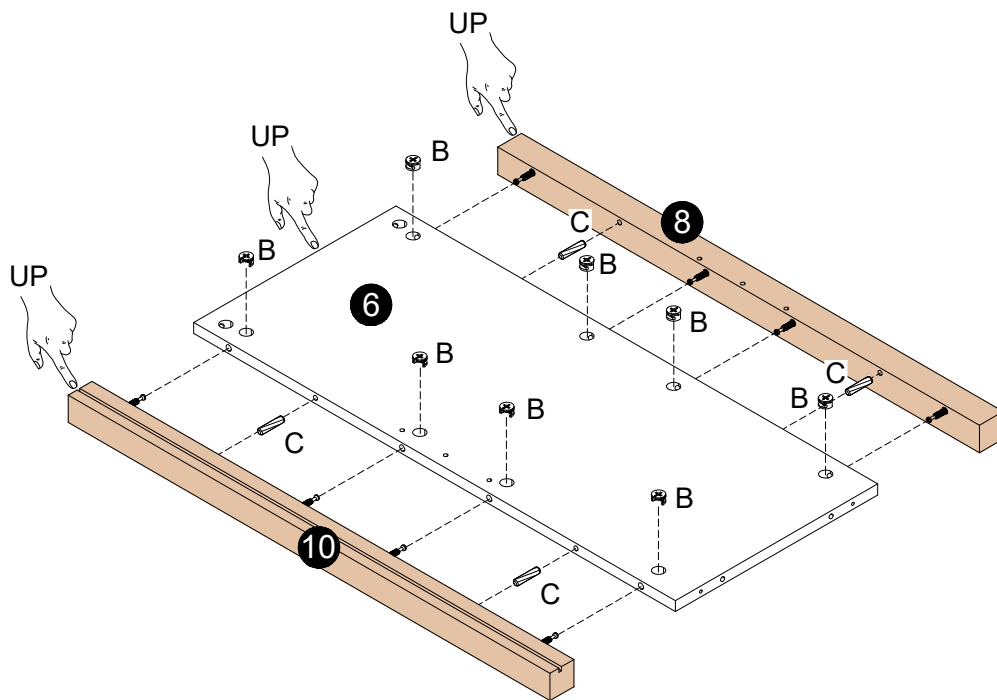


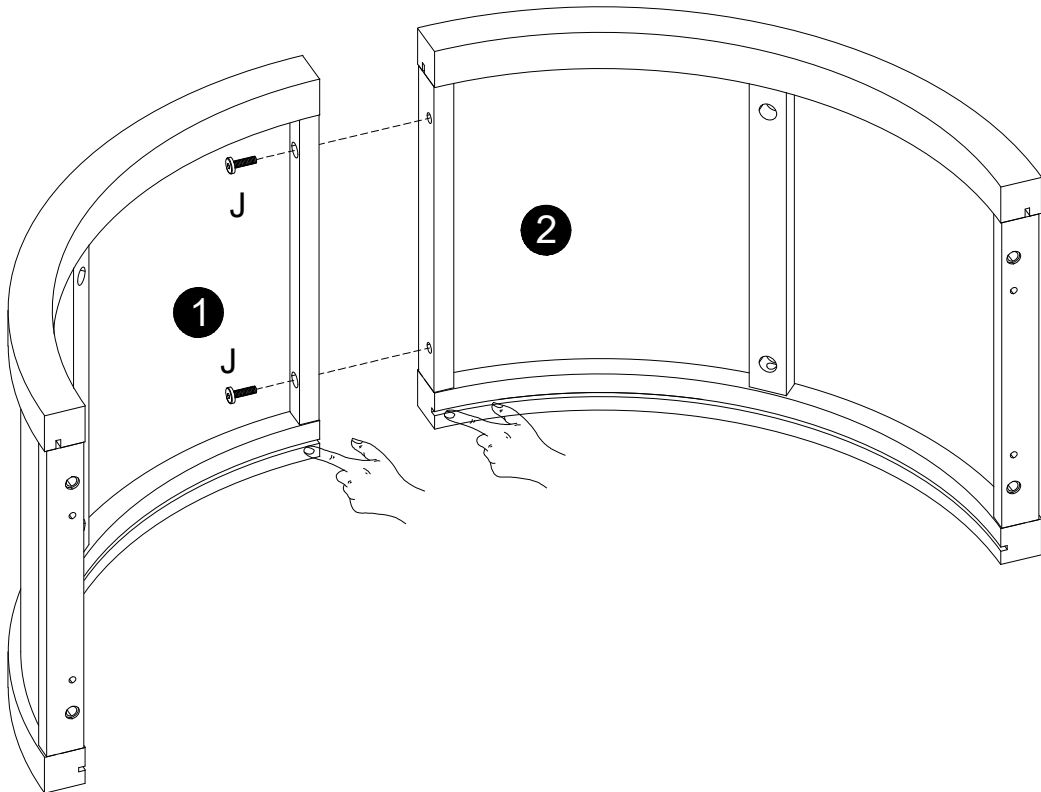
B X8

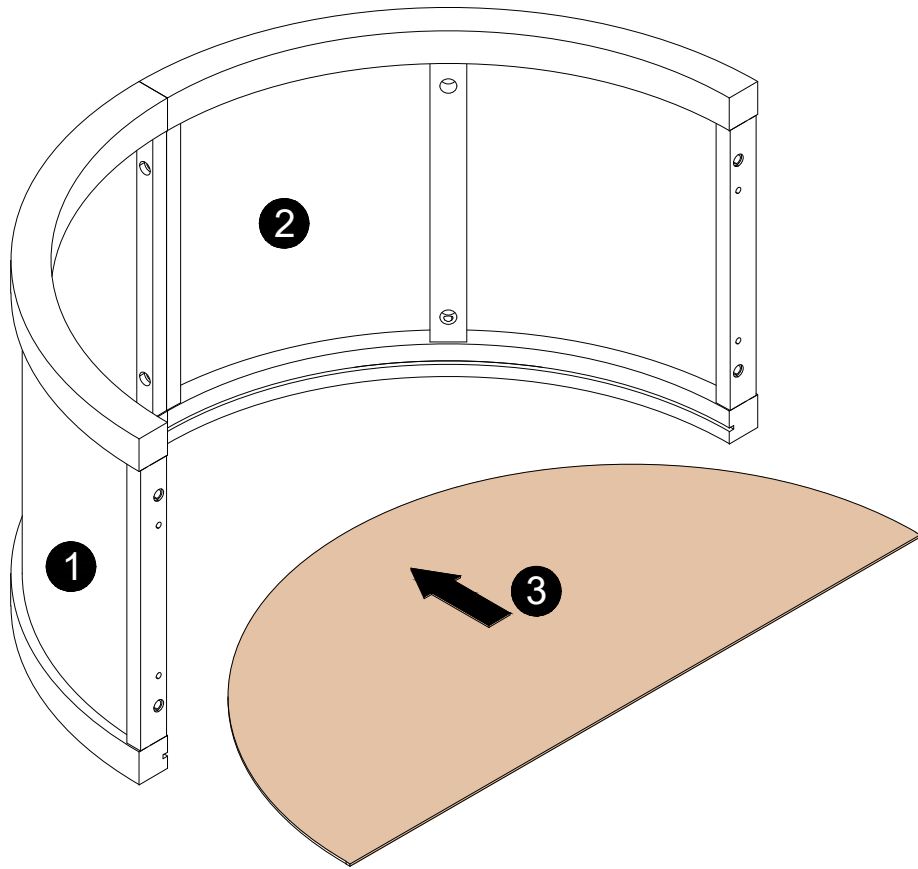


C X4

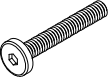
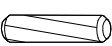



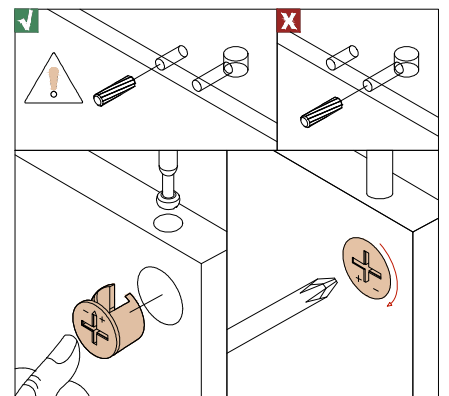
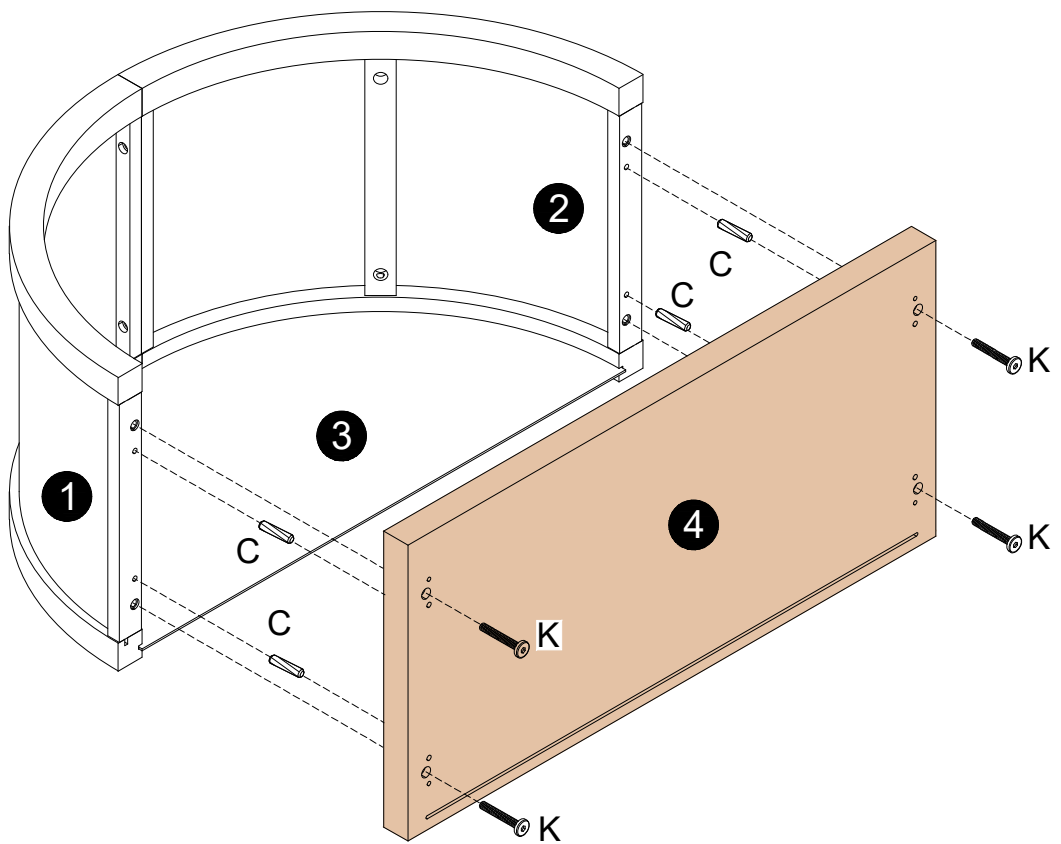
STEP 11**B** X8**C** X4

STEP 12**J** X2**Z2**

STEP 13

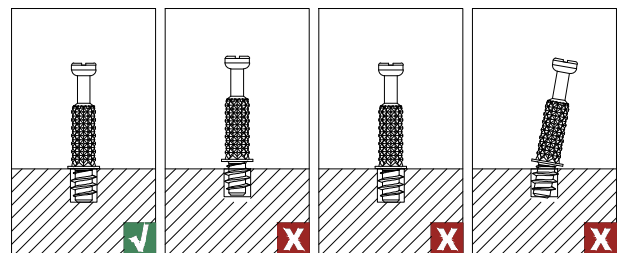
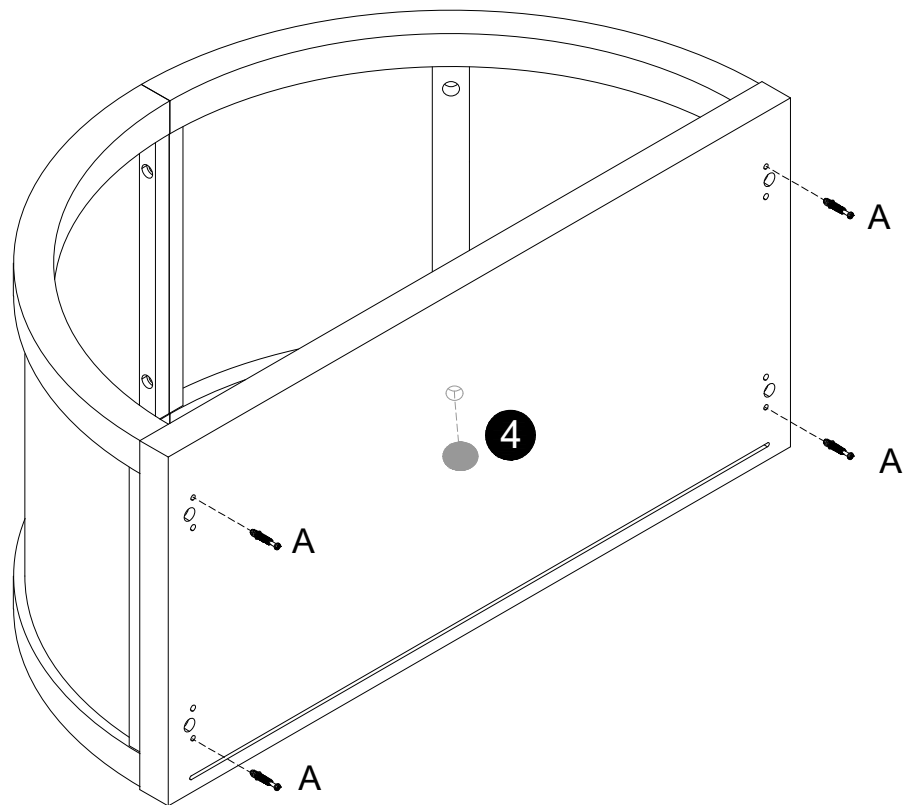
STEP 14

- 
K X4
- 
C X4
- 
Z2




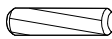
STEP 15

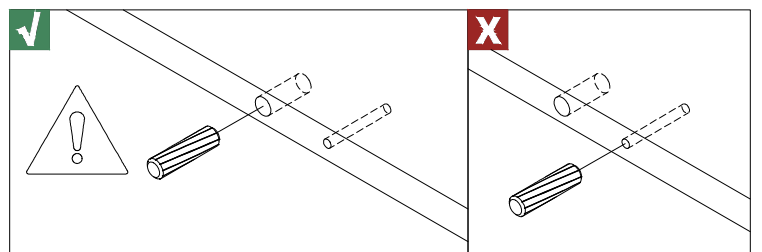
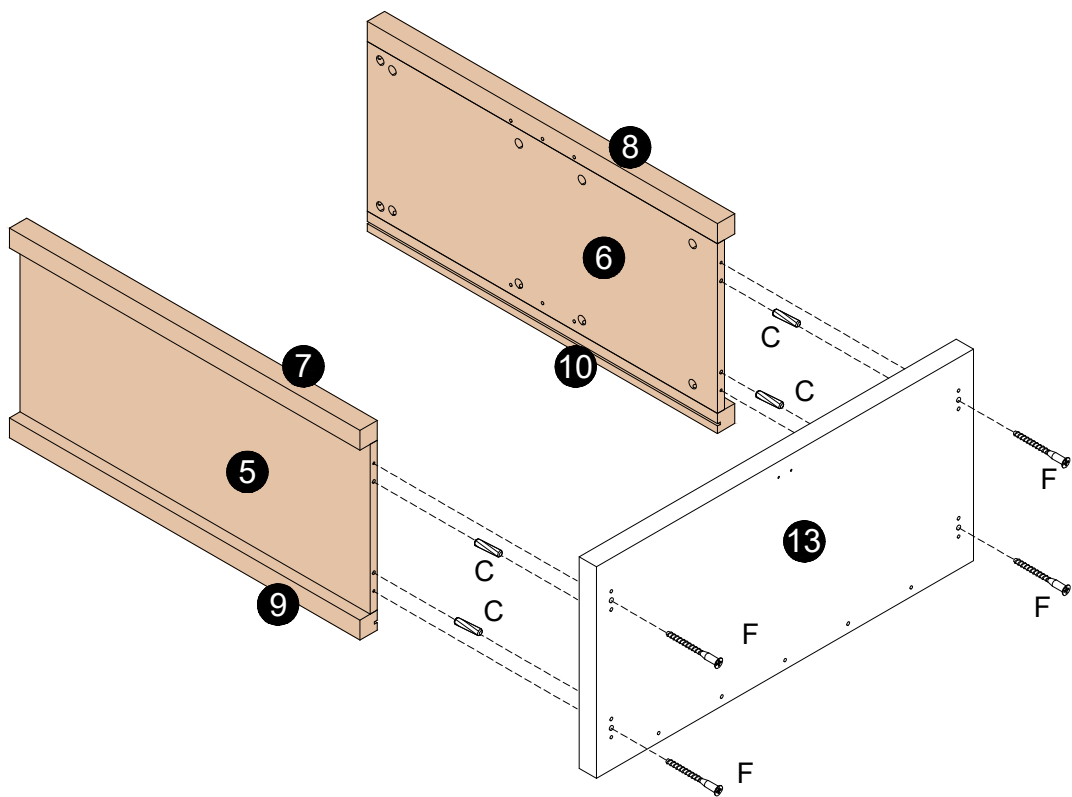
 **A** X4

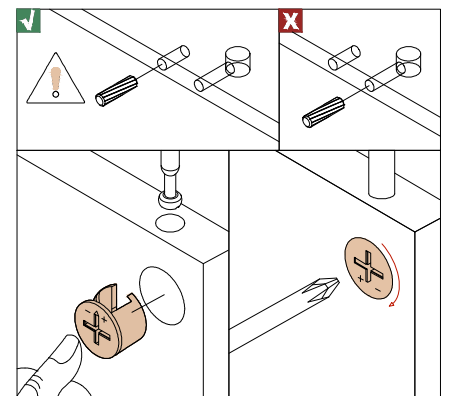
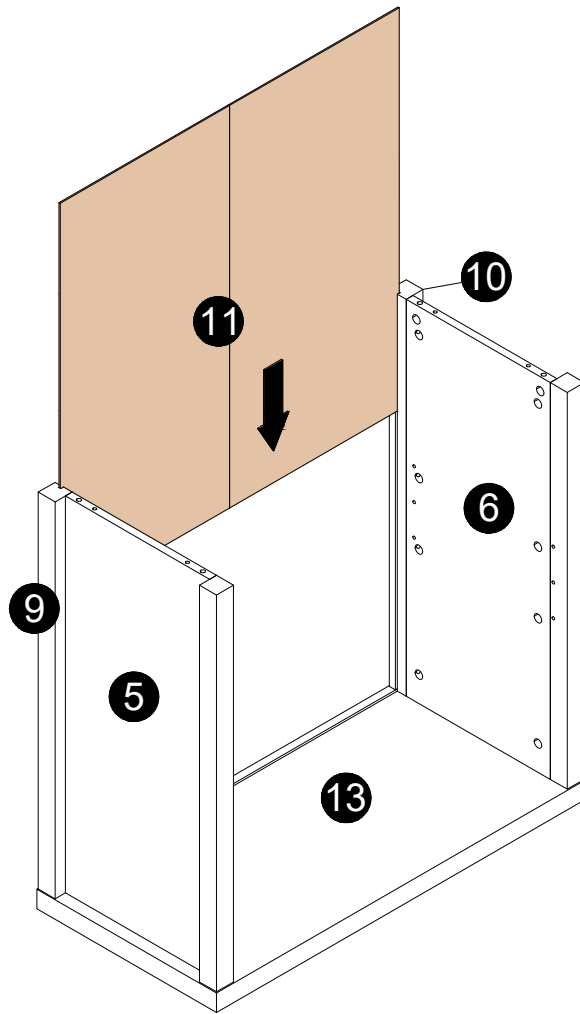


Install the screw correctly to secure the screw.

STEP 16

-
- 
- F**
- X4
-
- 
- C**
- X4
-



STEP 17

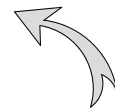
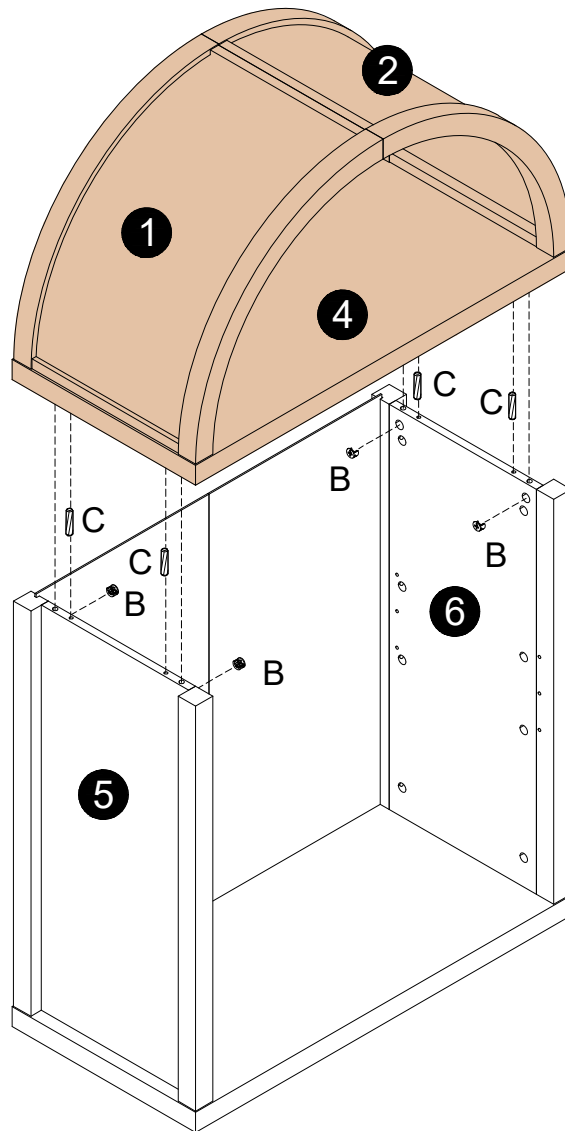
STEP 18



B X4



C X4



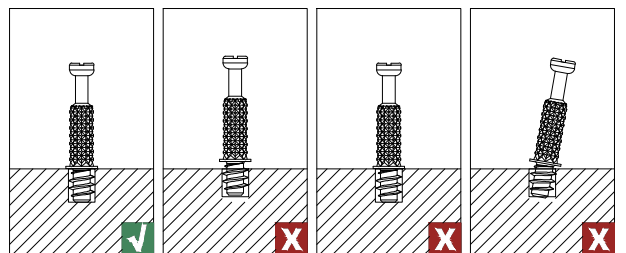
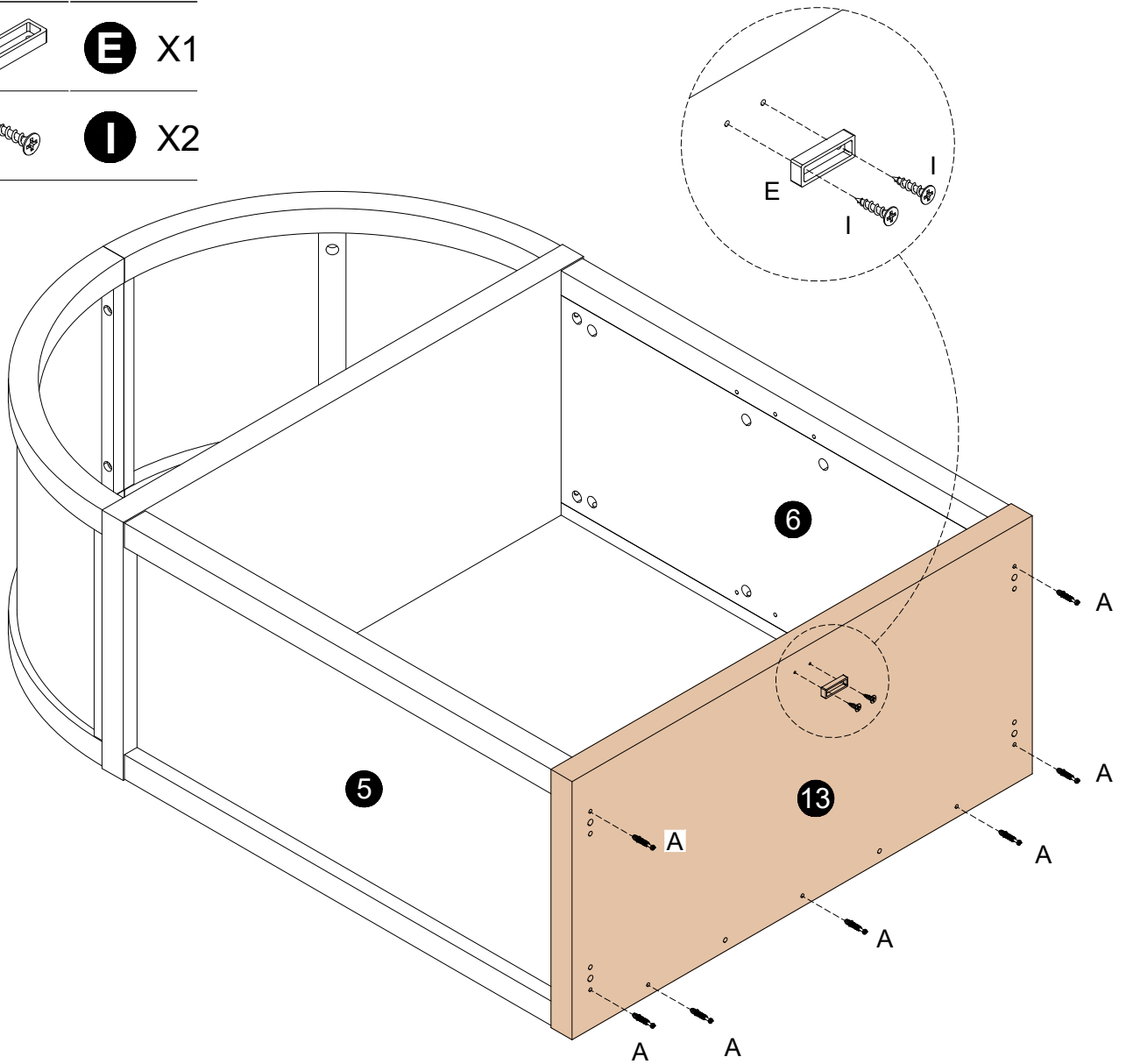
After this step is assembled,
flip it 90 degrees(to next step)

STEP 19

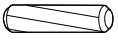
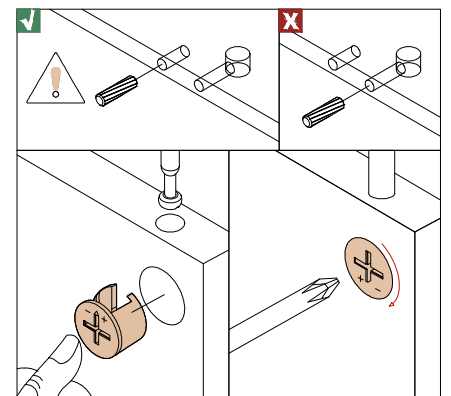
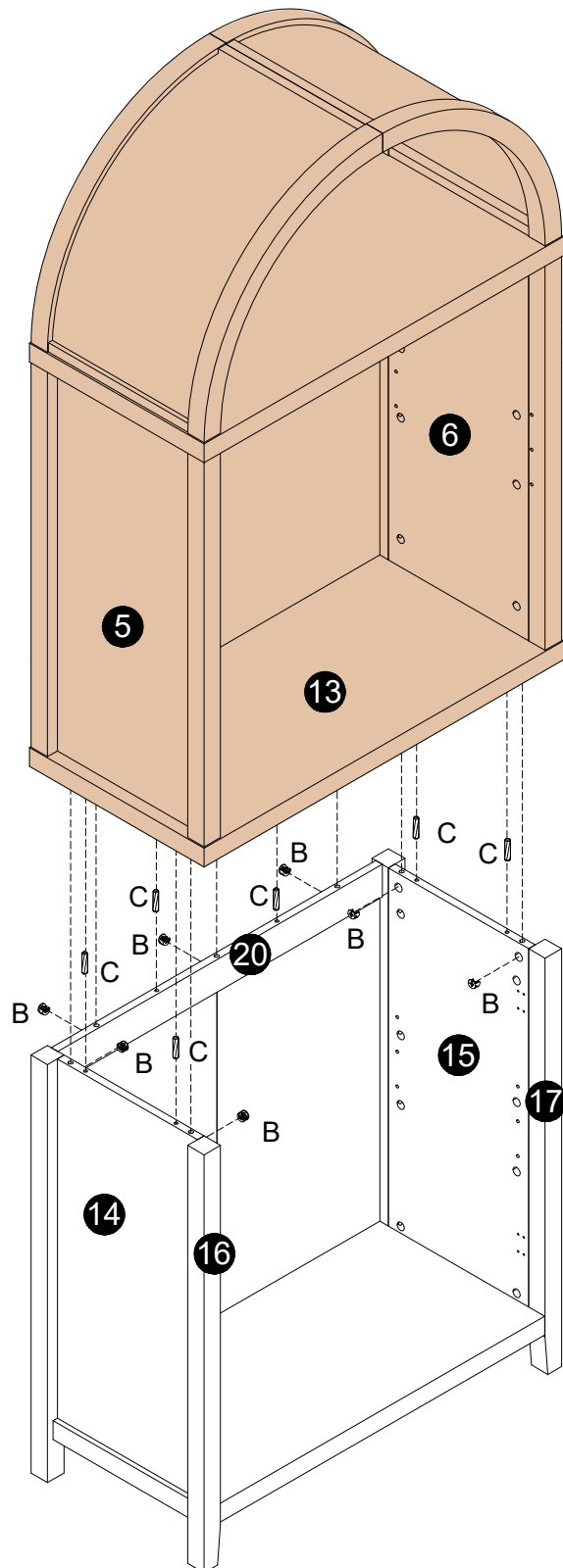
 **A** X7

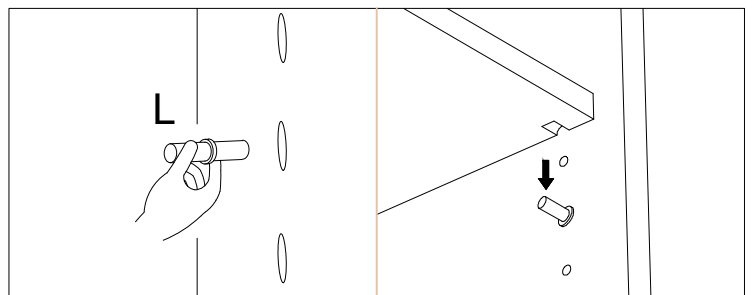
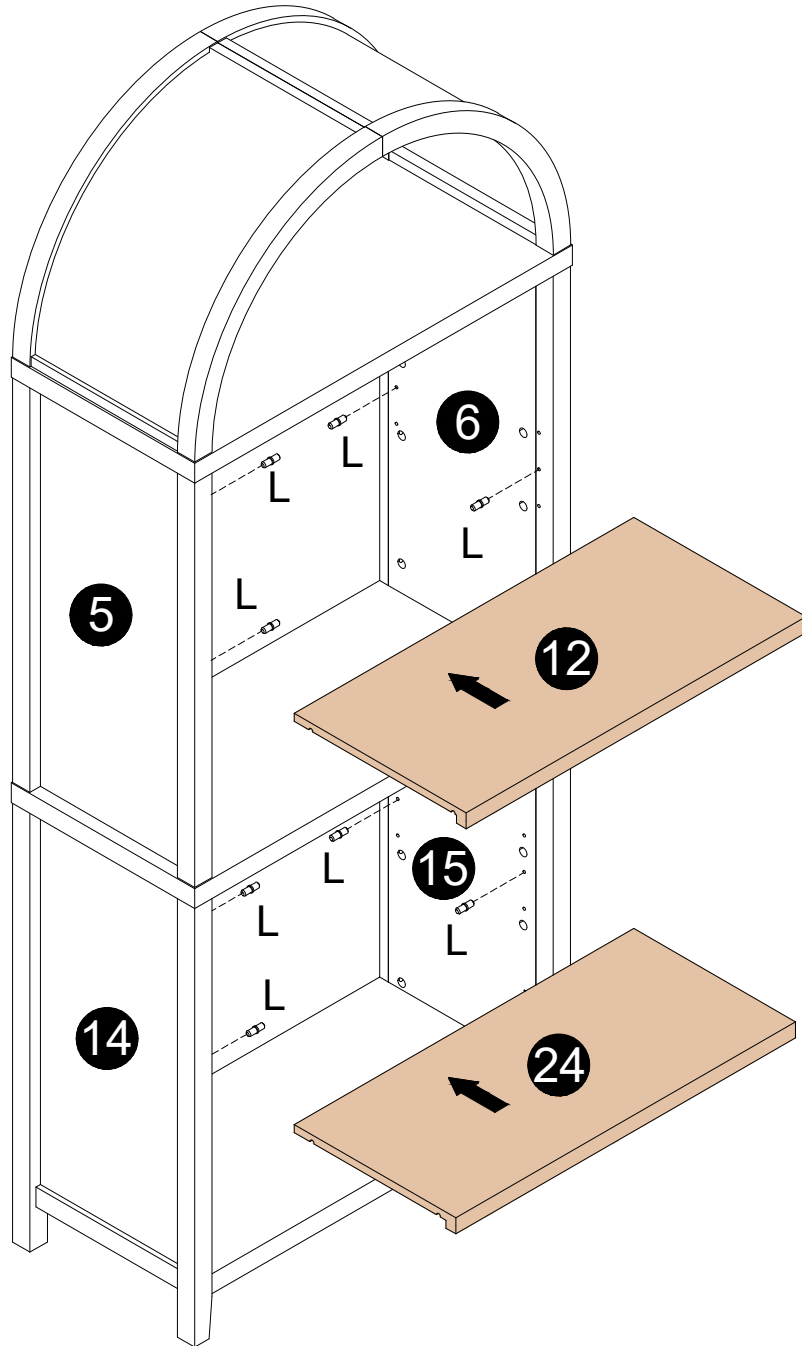
 **E** X1

 **I** X2

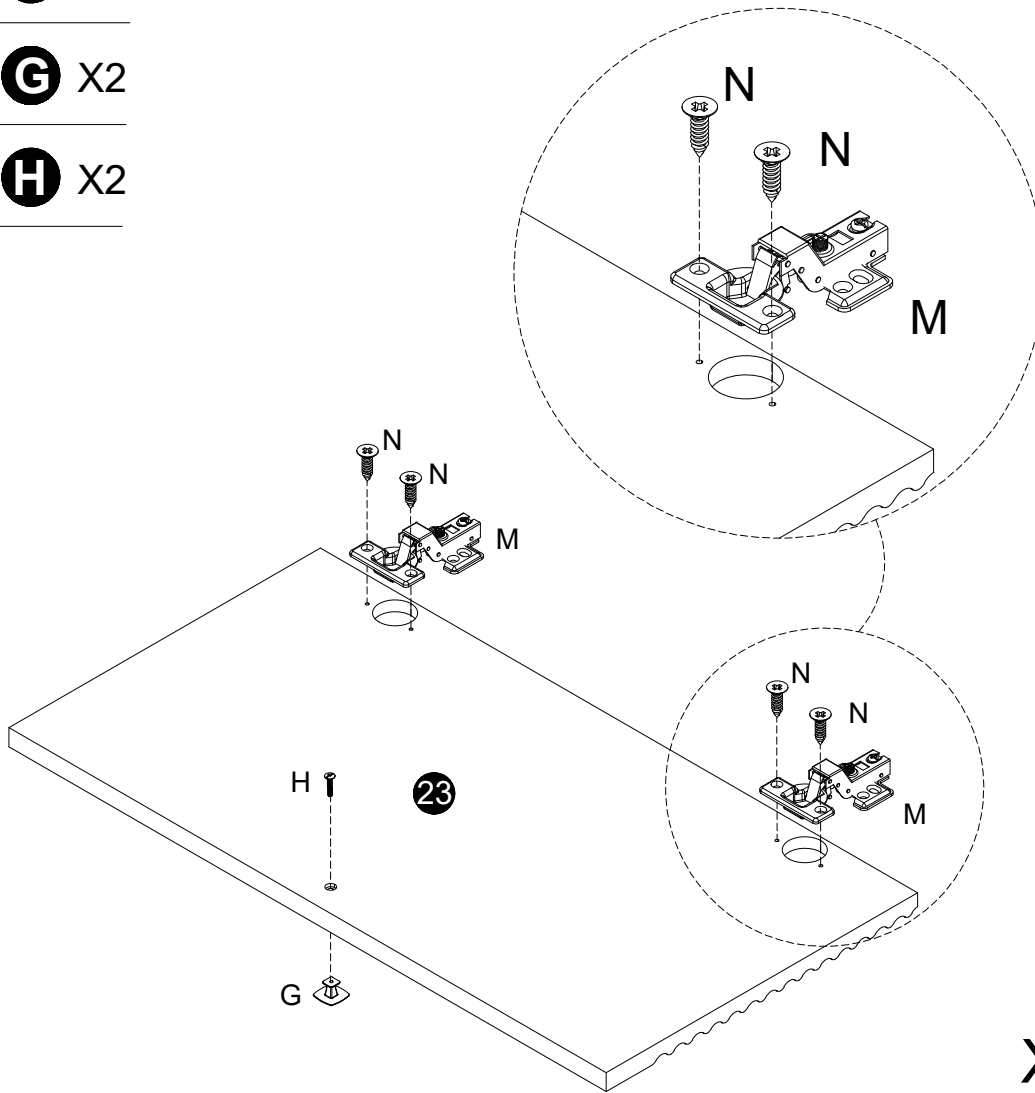


Install the screw correctly to secure the screw.

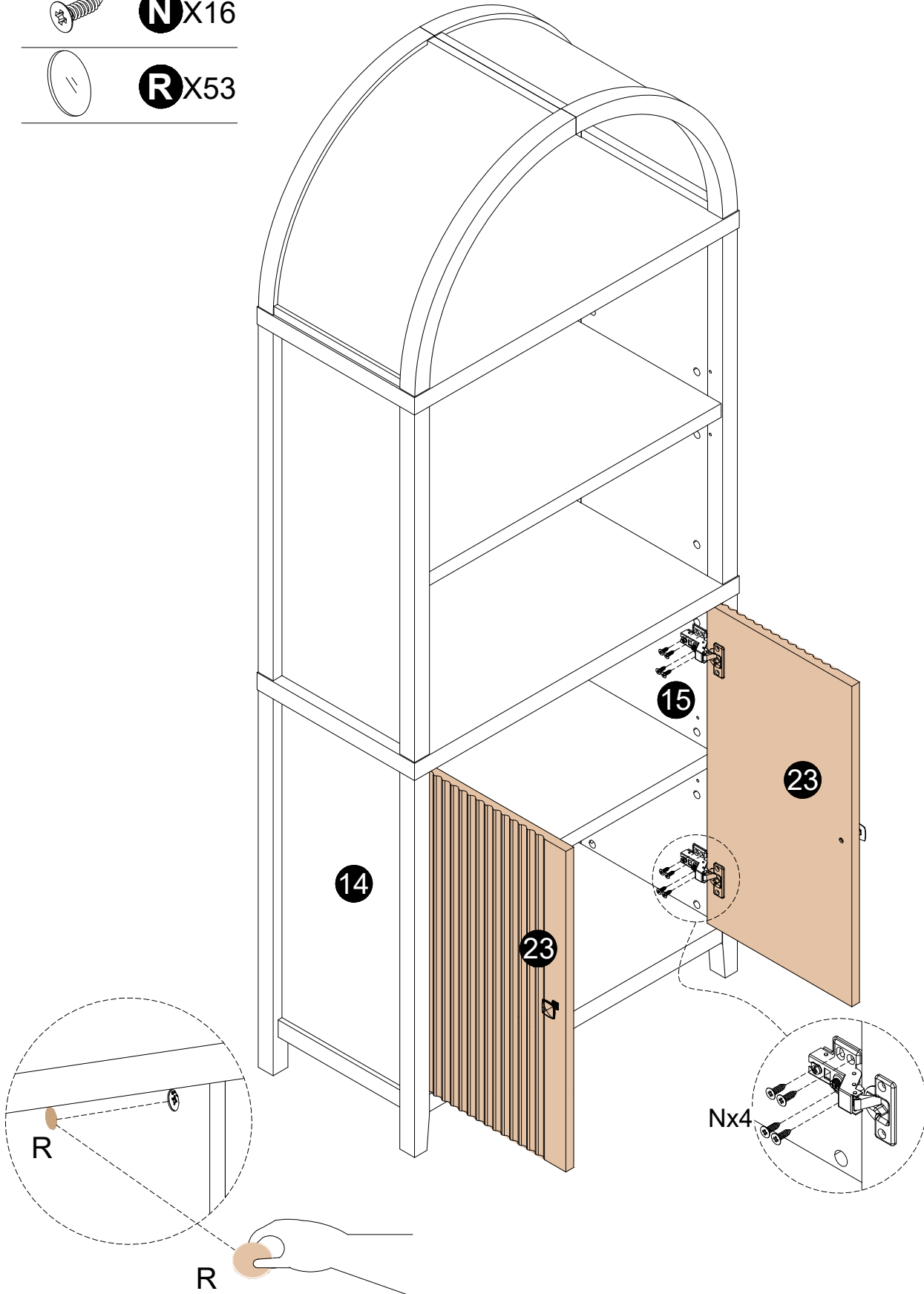
STEP 20**B** X7**C** X6

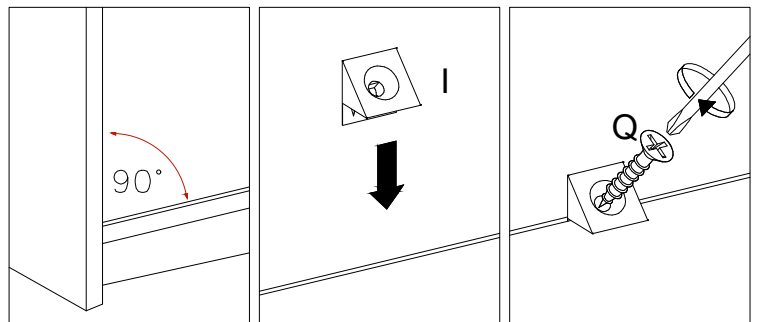
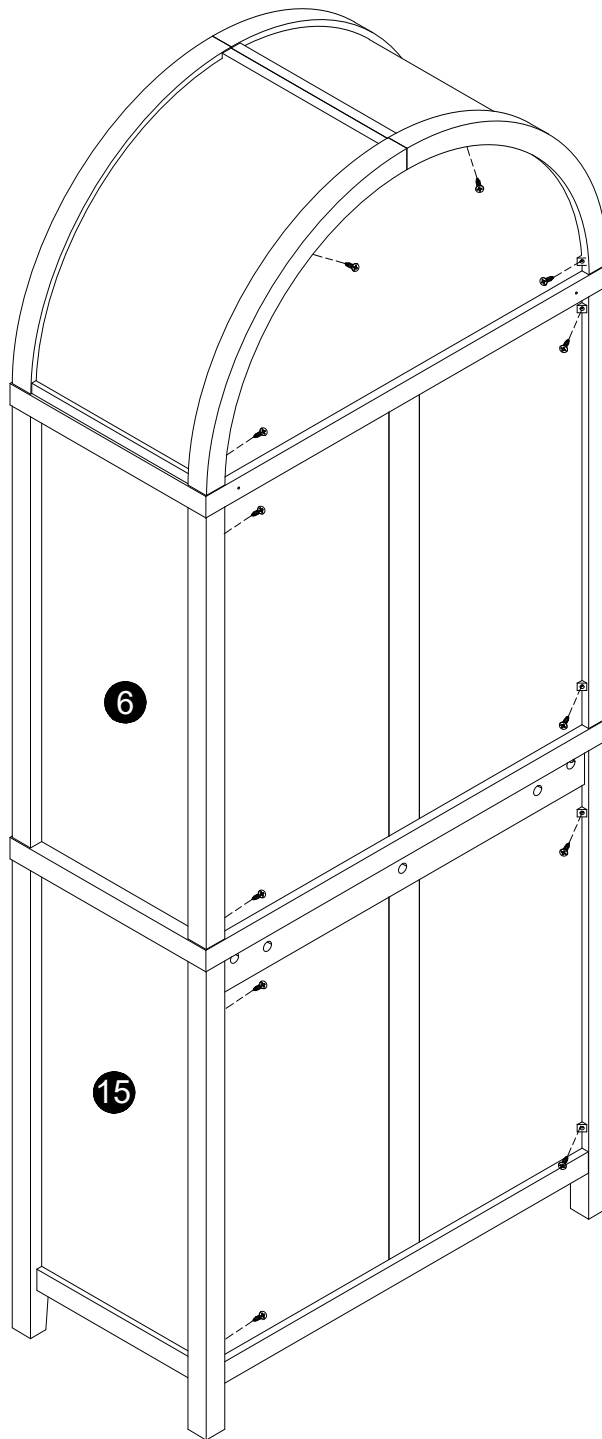
STEP 21**L** X8

STEP 22



X2

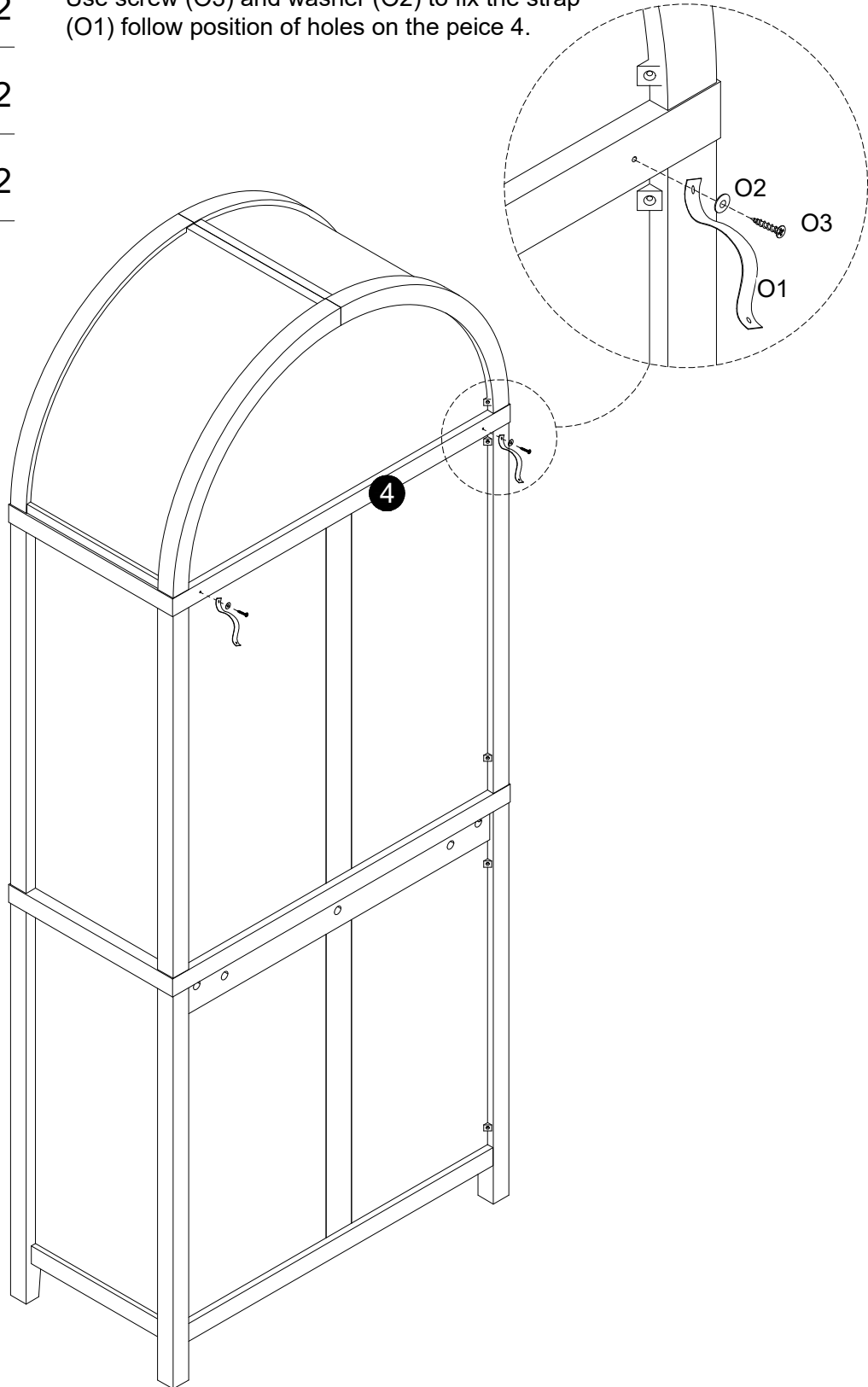
STEP 23**N**X16**R**X53

STEP 24**I**X12**Q**X12




STEP 25

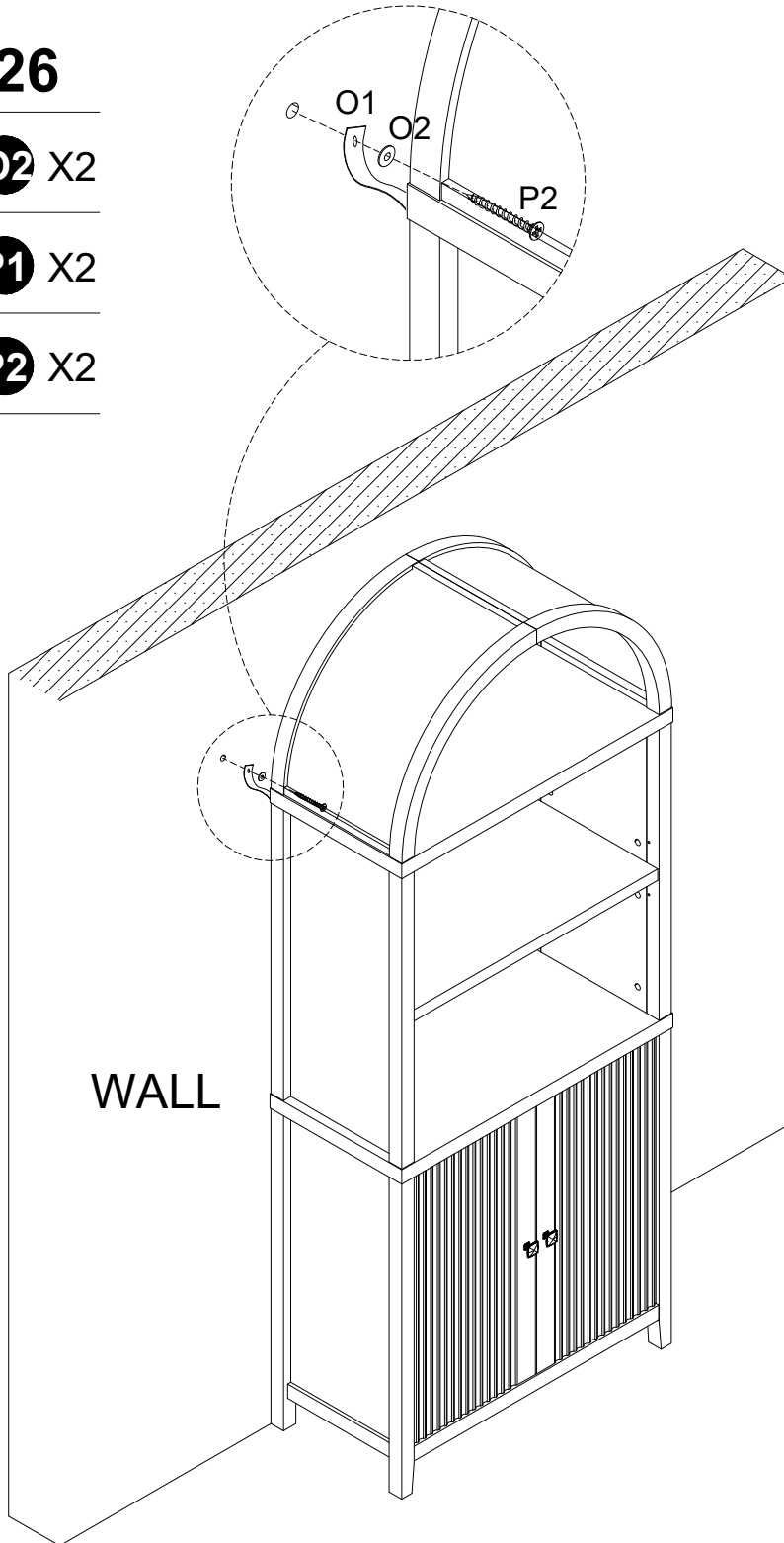


Use screw (O3) and washer (O2) to fix the strap (O1) follow position of holes on the peice 4.

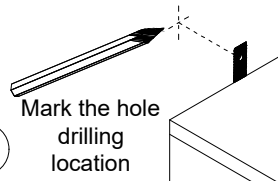


STEP 26

-  **O2** X2
-  **P1** X2
-  **P2** X2

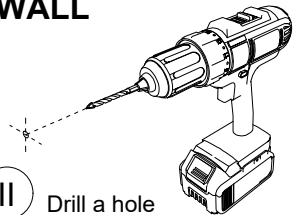


WALL



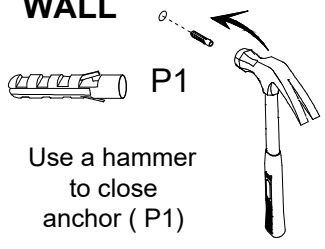
I Mark the hole drilling location

WALL



II Drill a hole

WALL



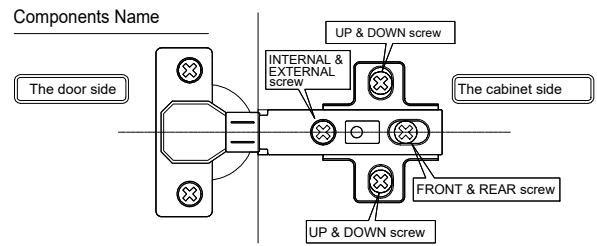
P1

Use a hammer to close anchor (P1)

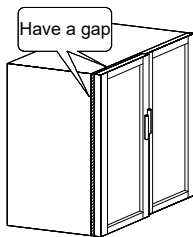
Step1: determine the location of the anti-overturning on the wall and then mark the position after confirming the product has been balanced.
 Step 2: drill the hole and then fixed the anchor (P1) on the wall.
 Step 3: use screw (P2) to fix the strap (O1), (O2) on the wall .

The ways to adjust the door

- Before adjusting the hinge, please check whether the cabinet is skewed.
- If the skew can not be repaired, please remove the anti-tipping device first, then adjust the cabinet to vertical position.
- Please adjust the hinge with the door open.
- Please operate it with more than 2 people, one person holds the door and the other one adjusts the screw.

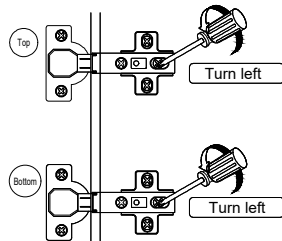


When door is crooked



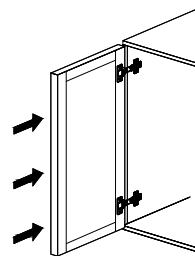
Please take the following steps to adjust first.

1 Rotate the "front and rear screws" to the left

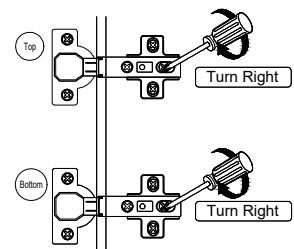


After adjusting the "front and rear screw", the door still does not change, please turn the "internal & external screw" to the right Slightly.

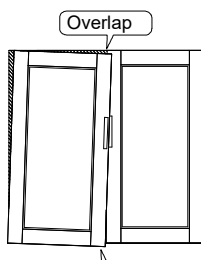
2 Push the door to the cabinet



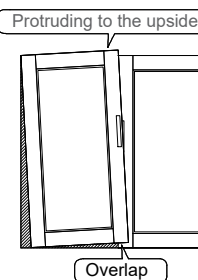
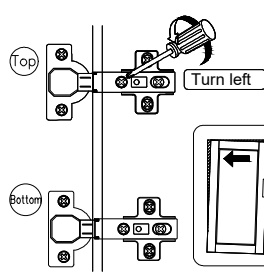
3 Rotate the "front and rear screws" to the right



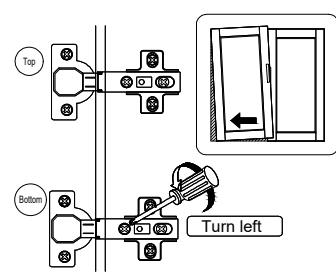
When door is leaning



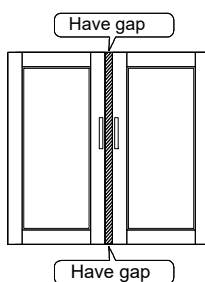
1 Turn "internal & external screw" to the left can make the top of the door tilted outward.



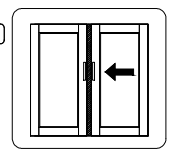
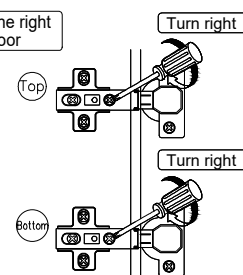
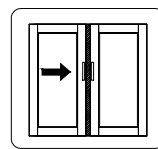
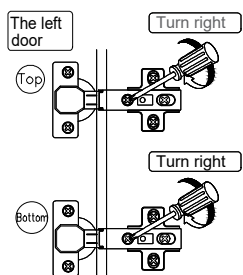
1 Turn "internal & external screw" to the left can make the bottom of the door tilted outward.



When 2 doors are not tight

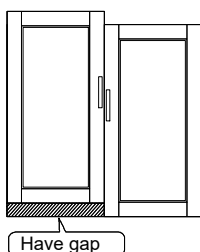


1 Turn "internal & external screw" to the right can make the door approach inside. Please adjust the doors little by little.

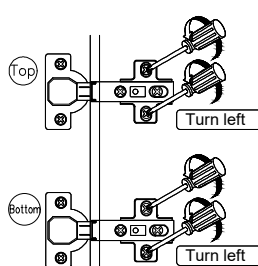


If the 2 doors are overlap, please turn the "internal & external screw" to the left.

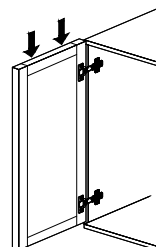
When the door is higher on top



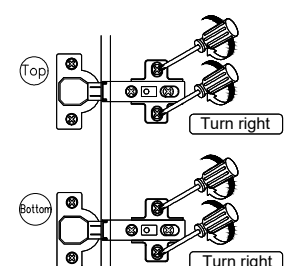
1 Turn "up & down screw" to the left



2 Lower the door's height so that 2 doors are of the same height.



3 Turn "up & down screw" to the right



If the door is lower on bottom, please lift up the left door slightly on step 2



After-Sales Service Hotline: (800) 661-5928