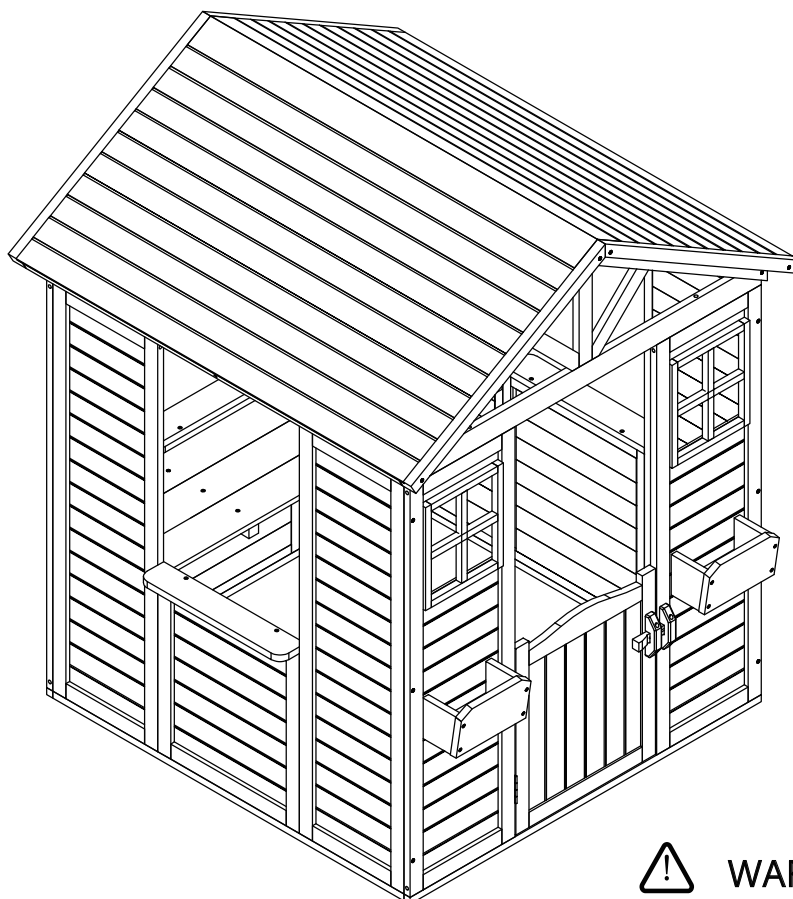


Age 3+

KizzParnrr



WARNING: Assembly by adult.



WARNING:

CHOKING HAZARD—Small parts
Not for children under 3 yrs.

INSTALLATION INSTRUCTIONS

Wooden Playhouse

Model Number: KP-PL01-GYBR

KP-PL01-BLWH

Service Contact: kizzparnrr@gmail.com

KizzParnrr

Assembly and Installation

Ensure that the item is assembled and installed in accordance with the enclosed instructions. Before commencing assembly, read the included assembly manual and check the components for completeness. Use only the provided or recommended fastening elements. Retain the enclosed documents for future reference.

Placement

Position the item on a level and stable surface to minimize the risk of tipping. Avoid placing it in windy areas to ensure stability and safety. If the item is placed in a windy location, secure it against tipping. Additionally, avoid placement in areas where moisture cannot dry to prevent mold

Safety

Use the product under adult supervision to avoid injury.

Maintenance and Care

Regularly inspect the fastenings and safety elements of the item and fasten any loose connections. Clean the item regularly to ensure the durability of the material. Avoid using corrosive cleaning agents, as they may damage the material. Metal parts can be cleaned with a damp cloth. As it is a natural product, wood may change due to weather and sun exposure. To protect the material, apply an additional layer of varnish every 1-2 years.

Disposal

Dispose of the item at the end of its lifespan in accordance with local regulations and environmental requirements. For more information on product disposal, contact your municipality or city administration.

Usage

Non-intended use may lead to product damage. No liability is assumed for damages resulting from non-intended use. The product is not intended for commercial purposes.

Thank you for choosing KizzParnrr!

- Please check the package before you assemble them.
- Please contact us immediately if any parts missing or broken, we will send parts or replacement as soon as possible.

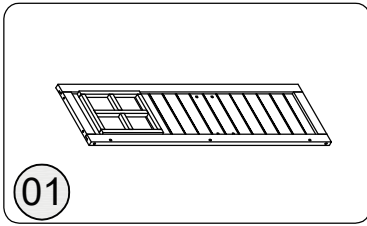
Customer Service

Please Contact Us if You Need Any Helps:

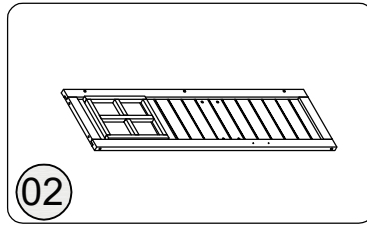
kizzparnrr@gmail.com

Address: Room 1707, No. 891 Haicang Avenue, Xiamen, China

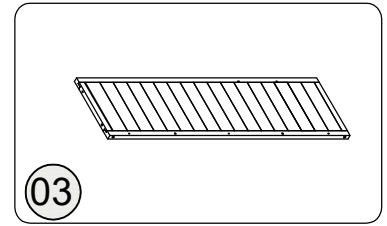
Board Identification



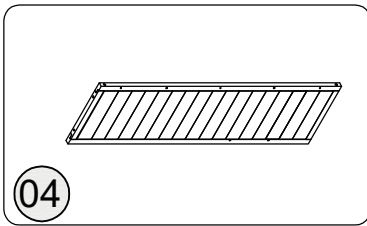
01
Front left frame
Qty:1



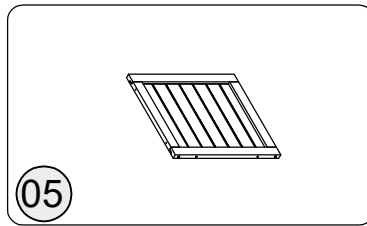
02
Front right frame
Qty:1



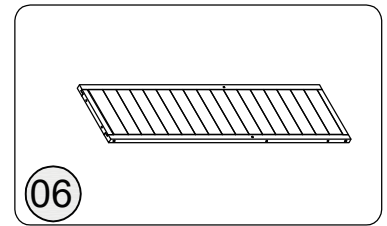
03
After left frame
Qty:1



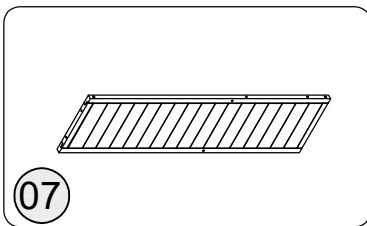
04
After the right frame
Qty:1



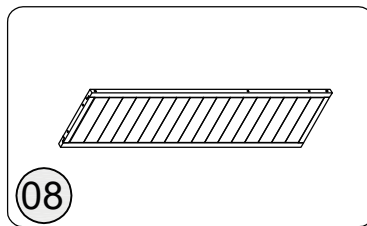
05
Middle frame
Qty:3



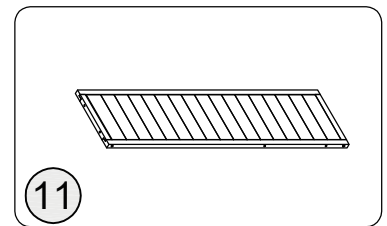
06
Left rear frame
Qty:1



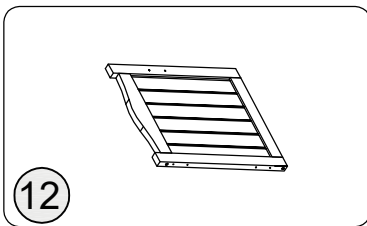
07
Right rear frame
Qty:1



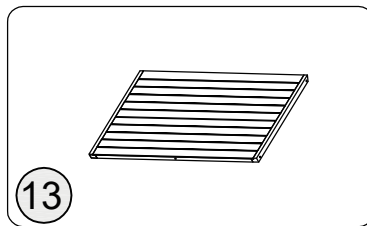
08
Left Front frame
Qty:1



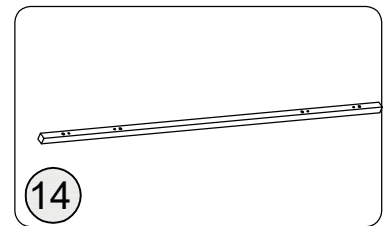
11
Right front frame
Qty:1



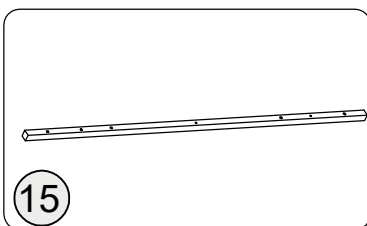
12
Door frame
Qty:1



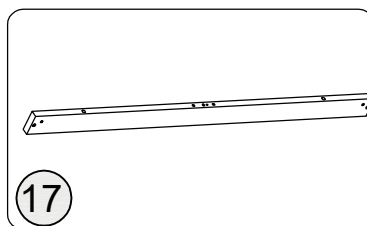
13
Inclined cover plate frame
Qty:2



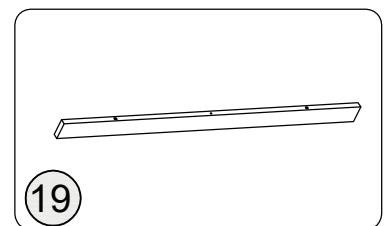
14
forefoot plate
Qty:1



15
Rear and side footboards
Qty:3

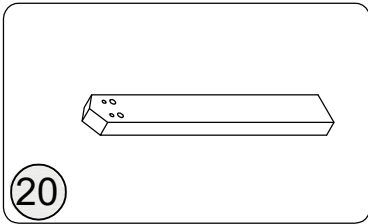


17
Front rear cross bar
Qty:2



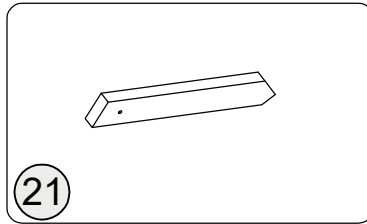
19
Side Bar
Qty:2

Board Identification



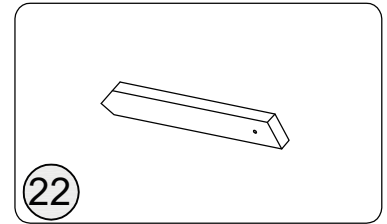
20

Middle support bar
Qty:2



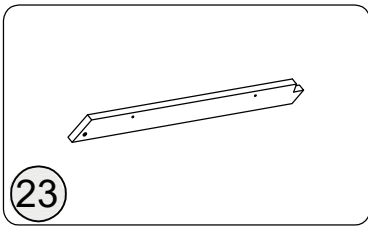
21

Left diagonal support bar
Qty:2



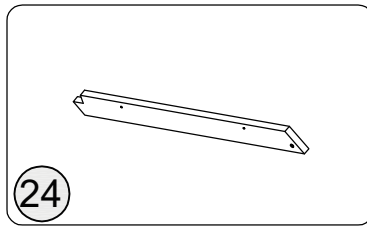
22

Right diagonal support bar
Qty:2



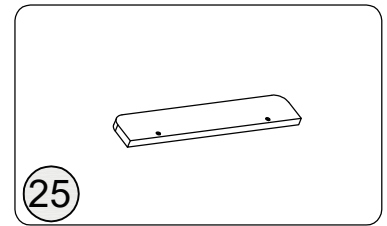
23

Left inclined beam
Qty:2



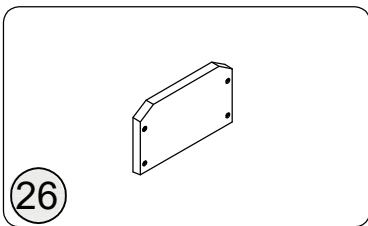
24

Right inclined beam
Qty:2



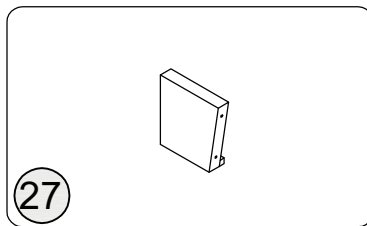
25

Balcony panels
Qty:3



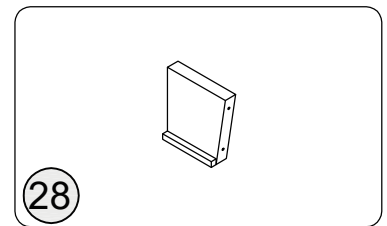
26

Flower Basket front plate
Qty:2



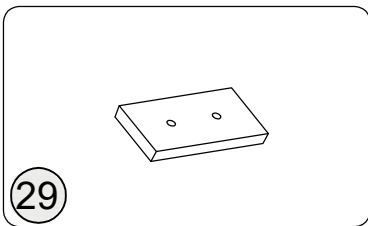
27

Flower Basket left board
Qty:2



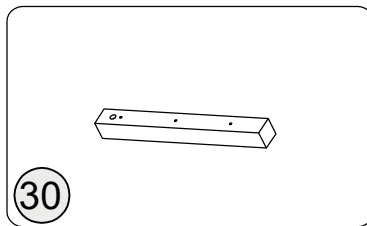
28

Flower Basket right side plate
Qty:2



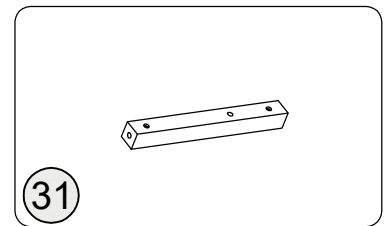
29

Flower Basket Bottom Plate
Qty:2



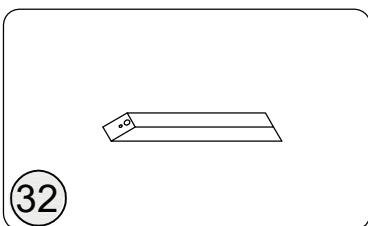
30

Tripod cross bar
Qty:2



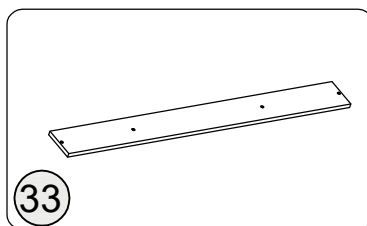
31

Tripod vertical bar
Qty:2



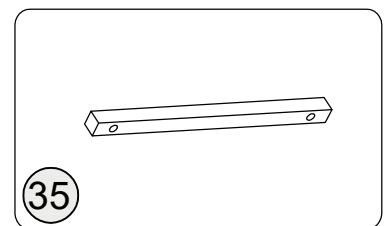
32

Tripod slant
Qty:2



33

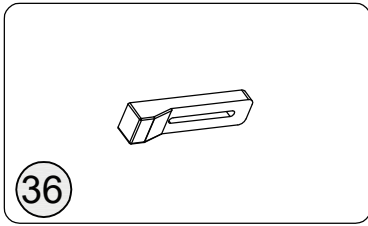
Laminate one
Qty:1



35

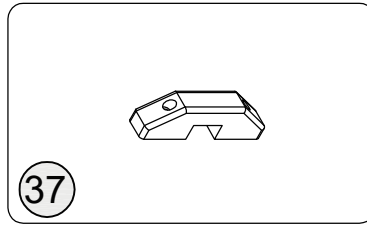
Side bracket of laminate
Qty:2

Board Identification



36

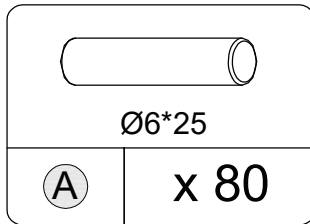
Door plug
Qty:1



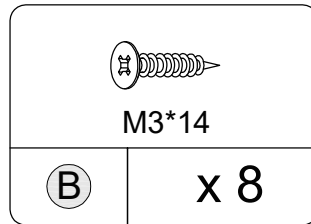
37

Fixed bar for door insert
Qty:2

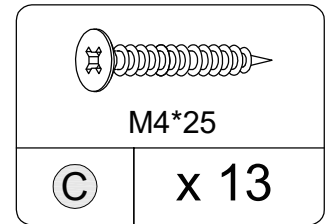
Hardware Identification



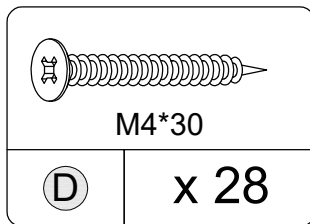
Wooden tenons



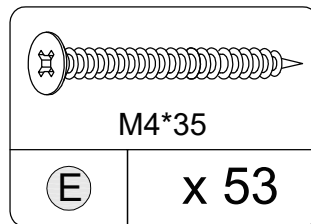
Screw



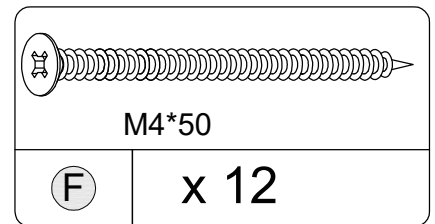
Screw



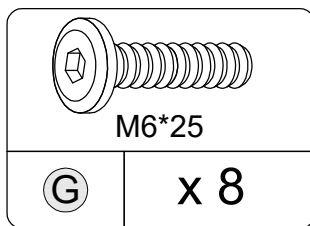
Screw



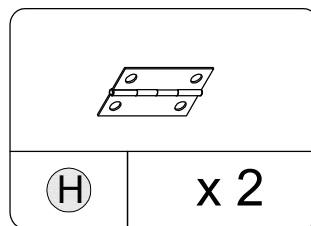
Screw



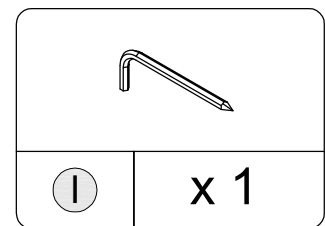
Screw



screws

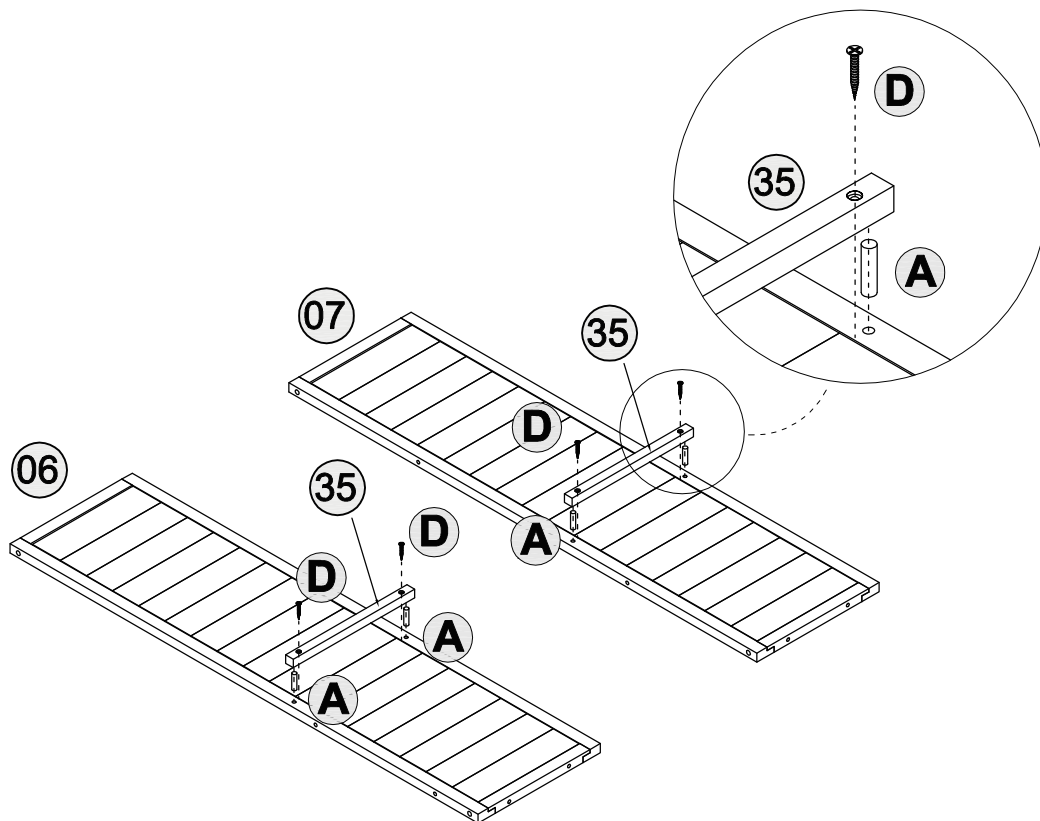


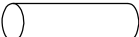
Hinge

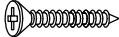


Hexagon socket
wrench

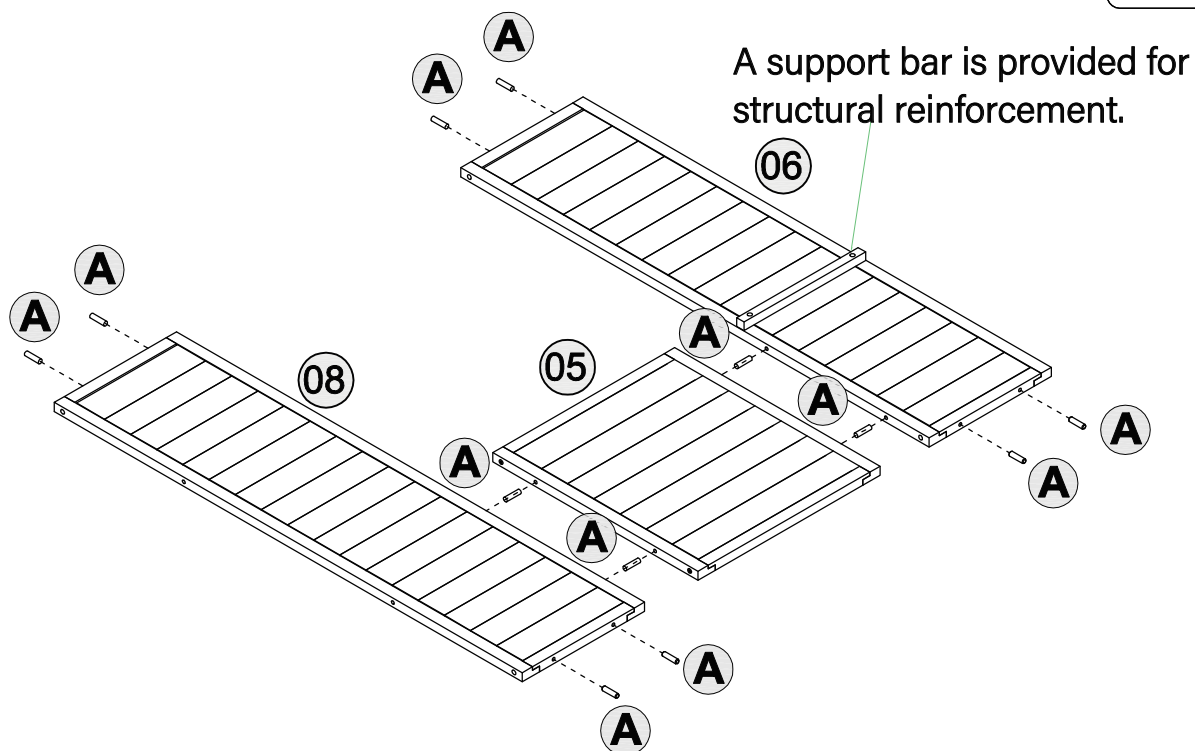
Step 1




	
Ø6*25	
(A)	x 4

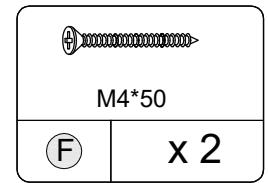
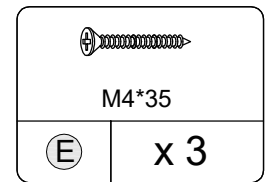
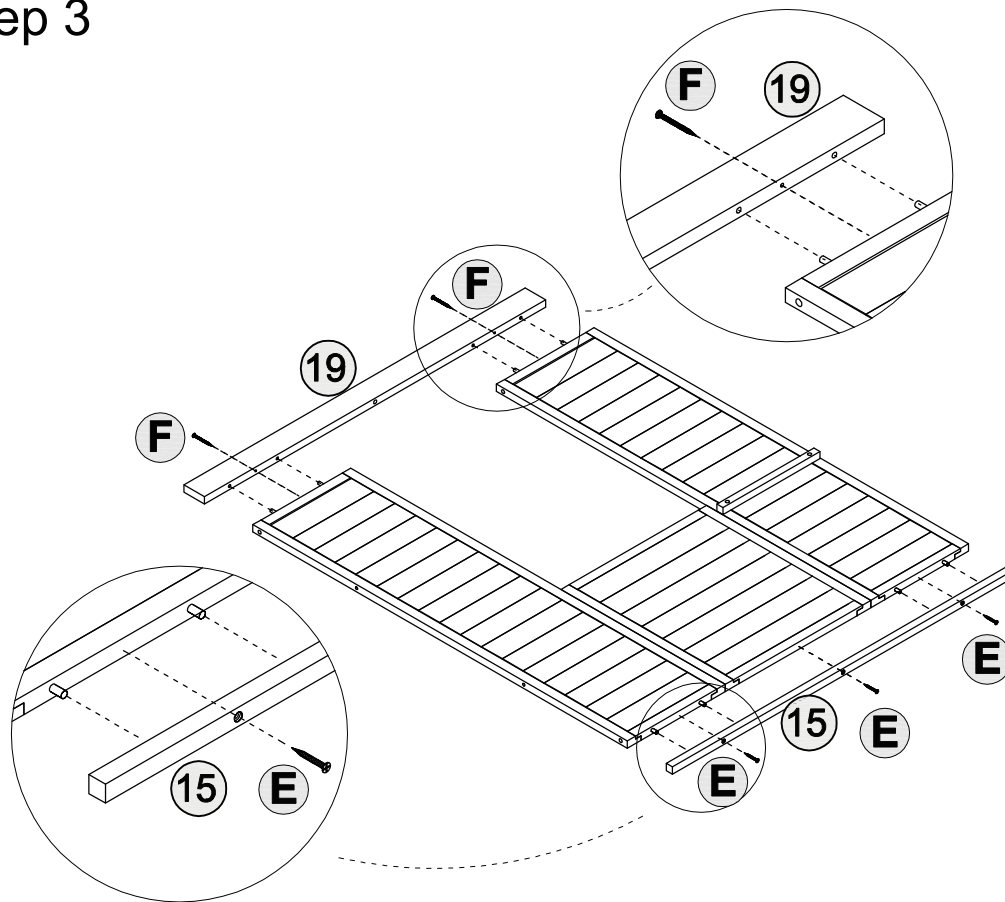
	
M4*30	
(D)	x 4

Step 2



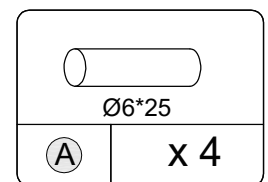
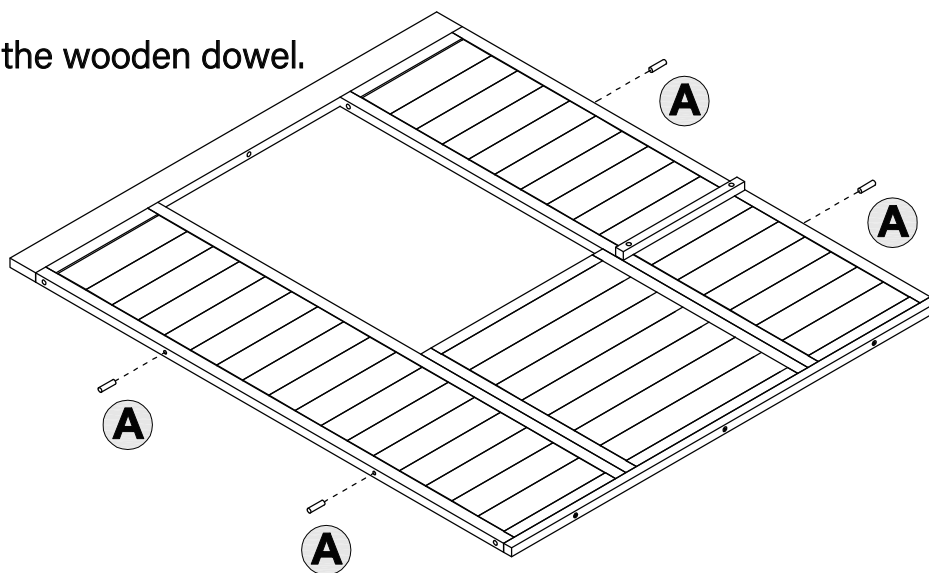
	
Ø6*25	
(A)	x 12

Step 3




Step 4

Install the wooden dowel.

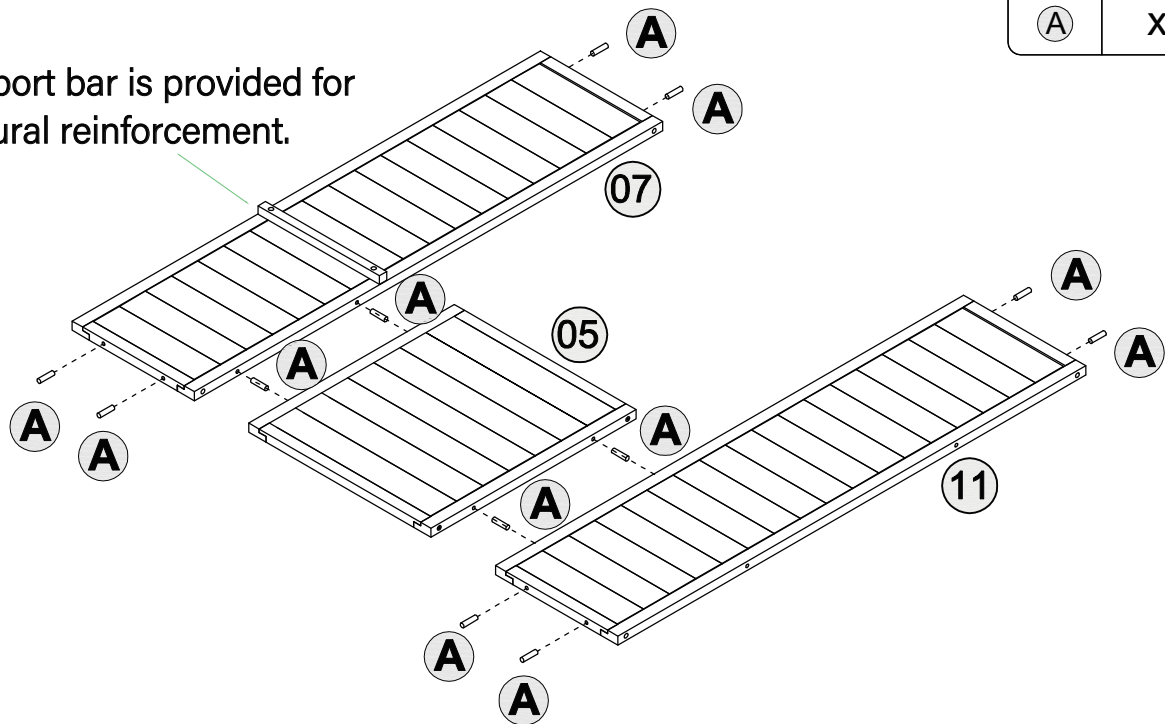


The left wall frame has been installed.

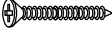
Step 5

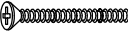
	
Ø6*25	
A	x 12

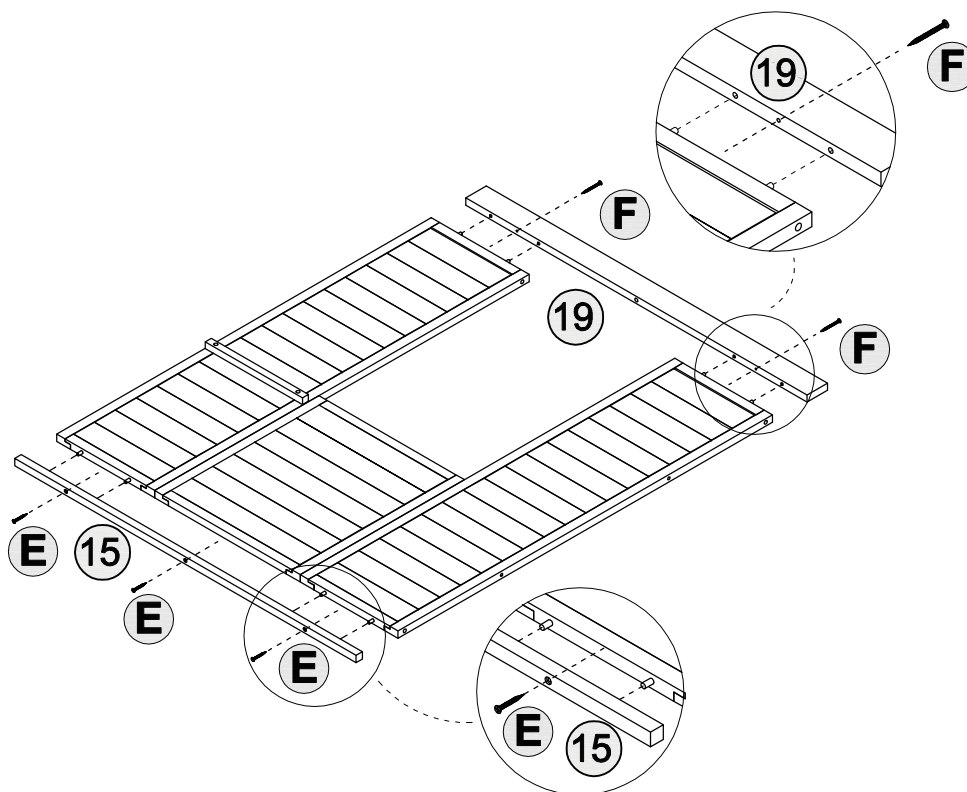
A support bar is provided for structural reinforcement.




Step 6

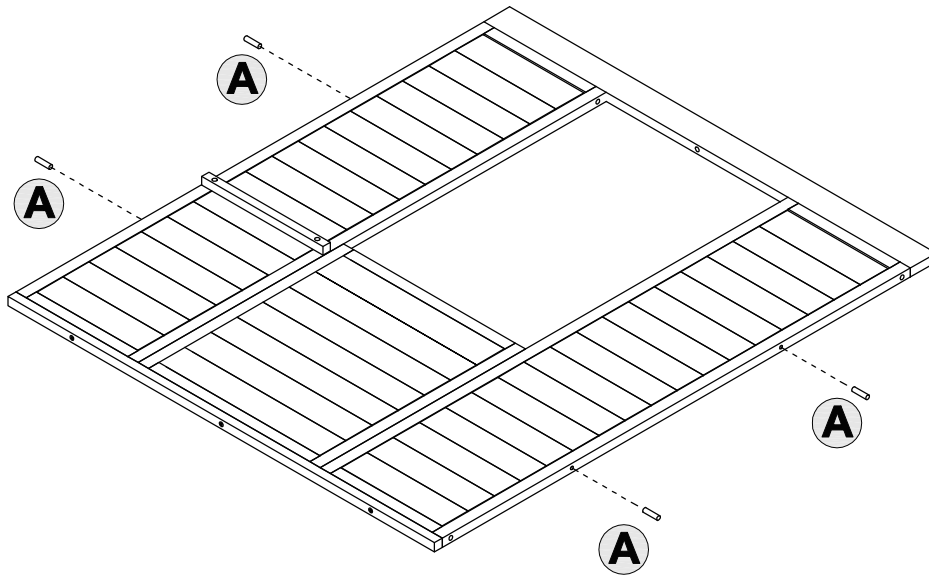
	
M4*35	
E	x 3

	
M4*50	
F	x 2



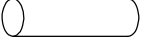
Step 7

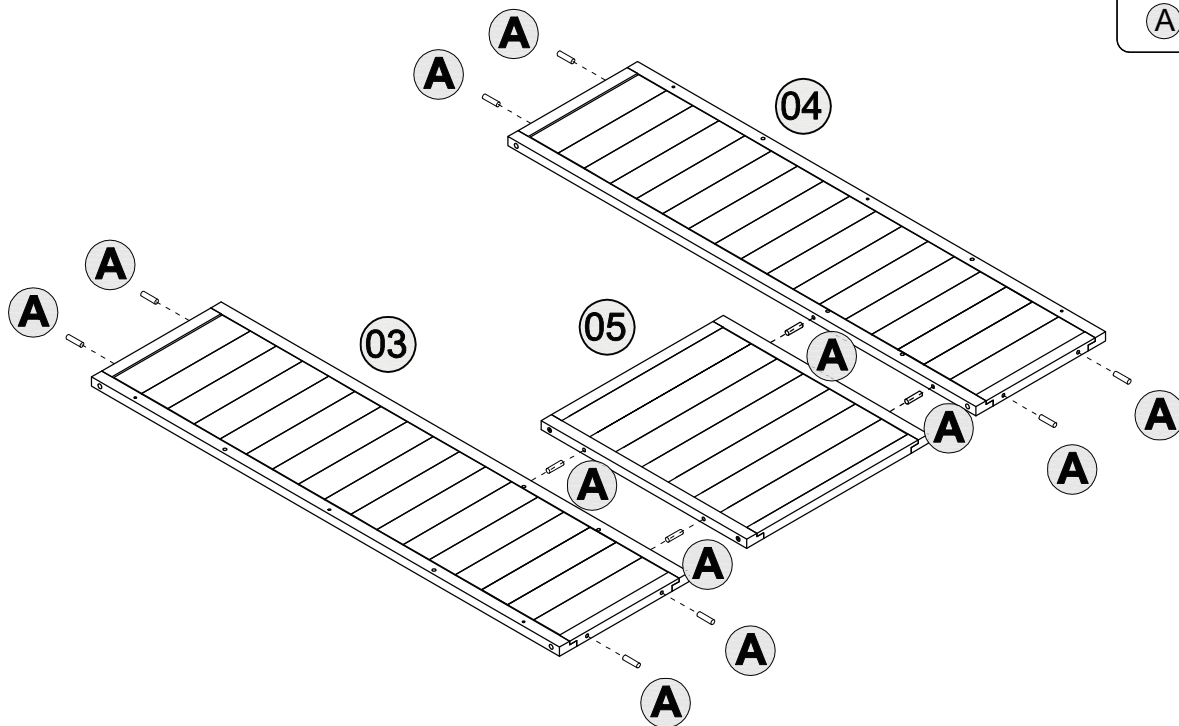
	
Ø6*25	
(A)	x 4



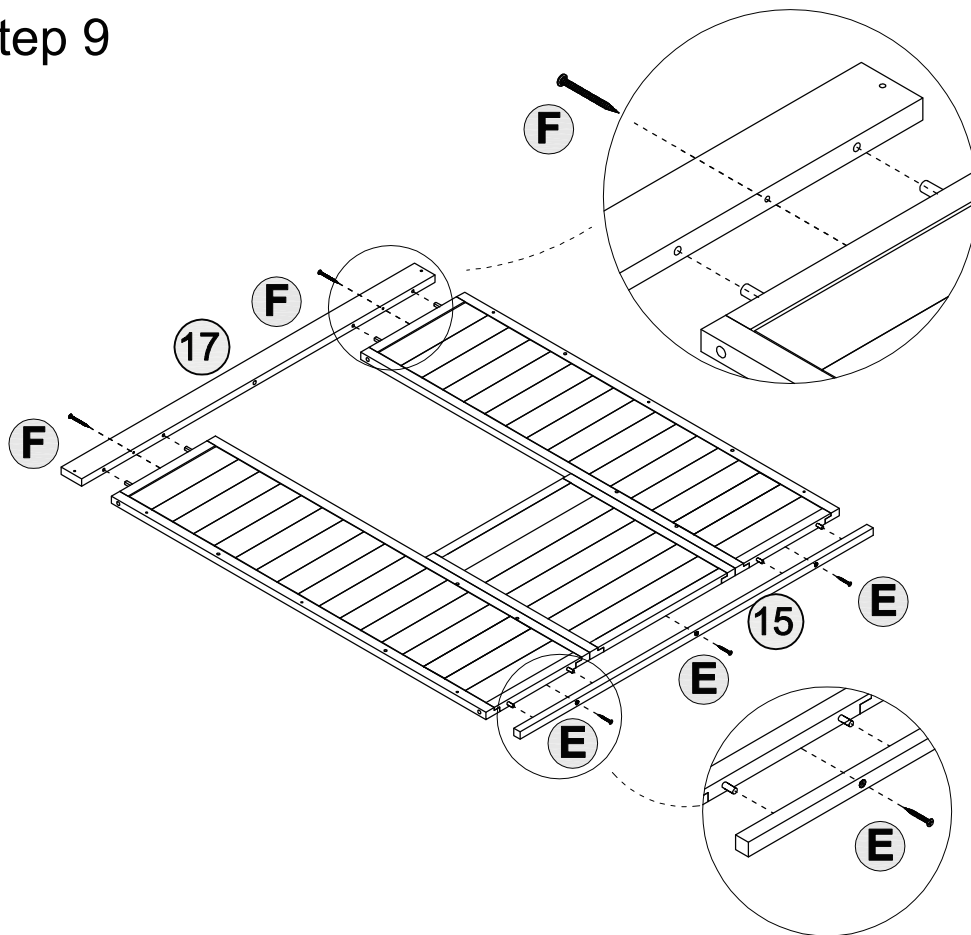
The right wall frame has been installed.

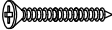
Step 8


	
Ø6*25	
(A)	x 12



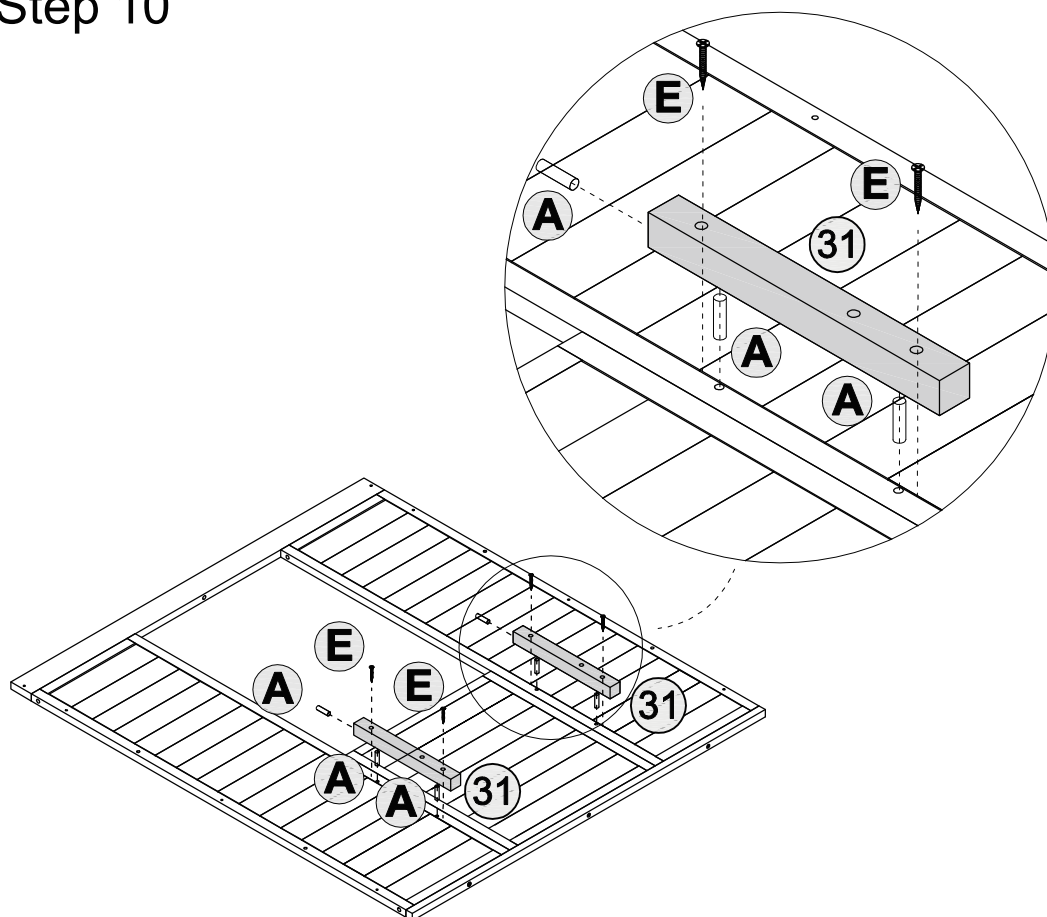
Step 9





	
M4*35	
(E)	x 3

	
M4*50	
(F)	x 2

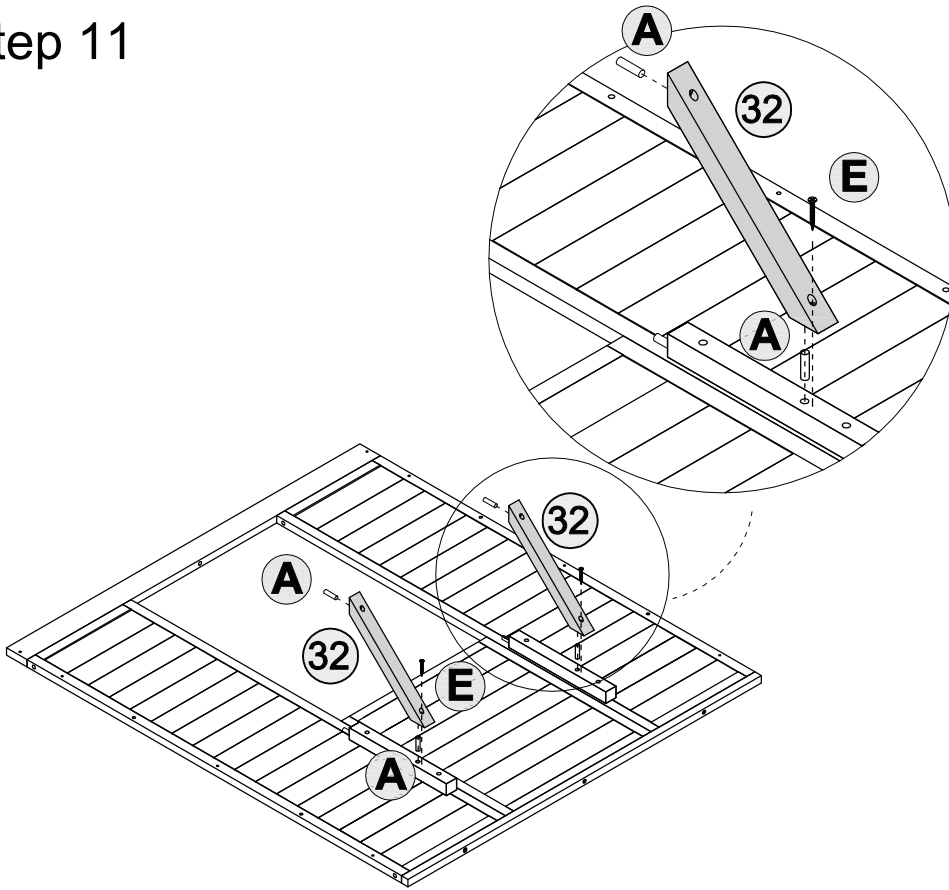
Step 10



	
Ø6*25	
(A)	x 6

	
M4*35	
(E)	x 4

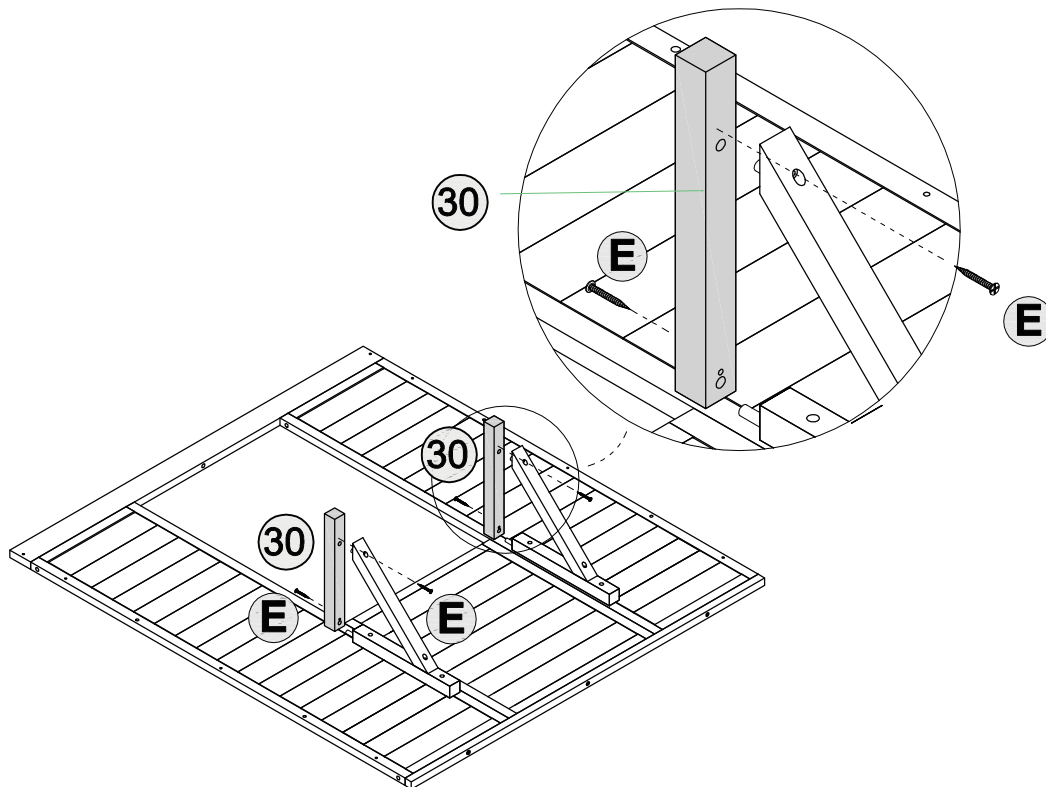
Step 11



Ø6*25	
(A)	x 4

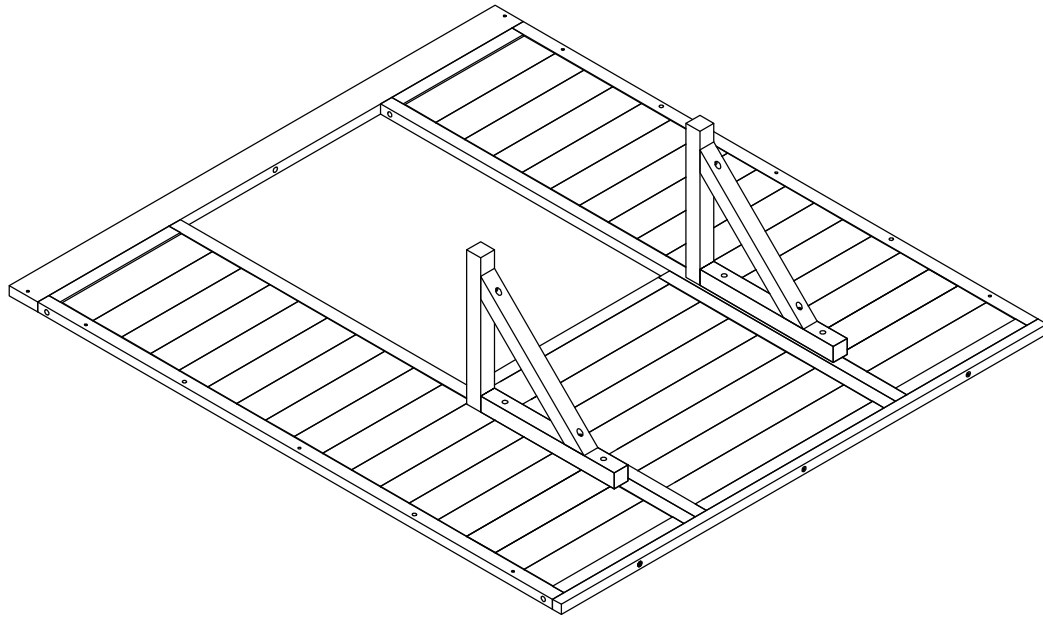
M4*35	
(E)	x 2

Step 12



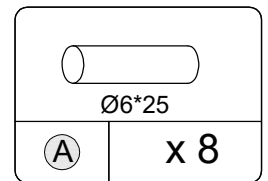
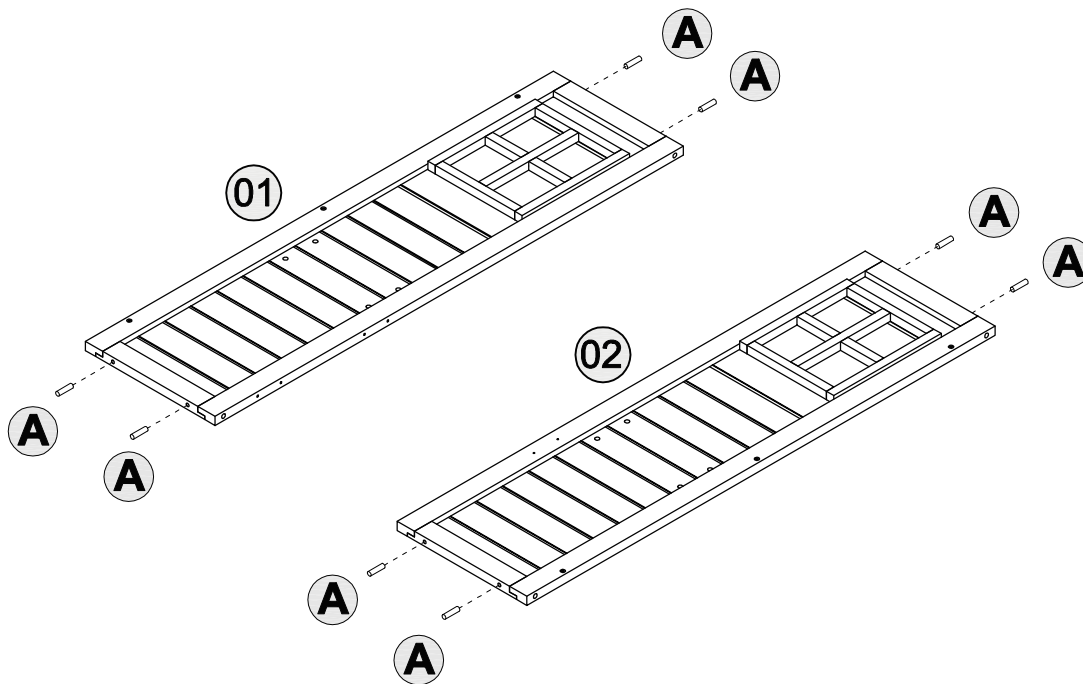
M4*35	
(E)	x 4

Step 13

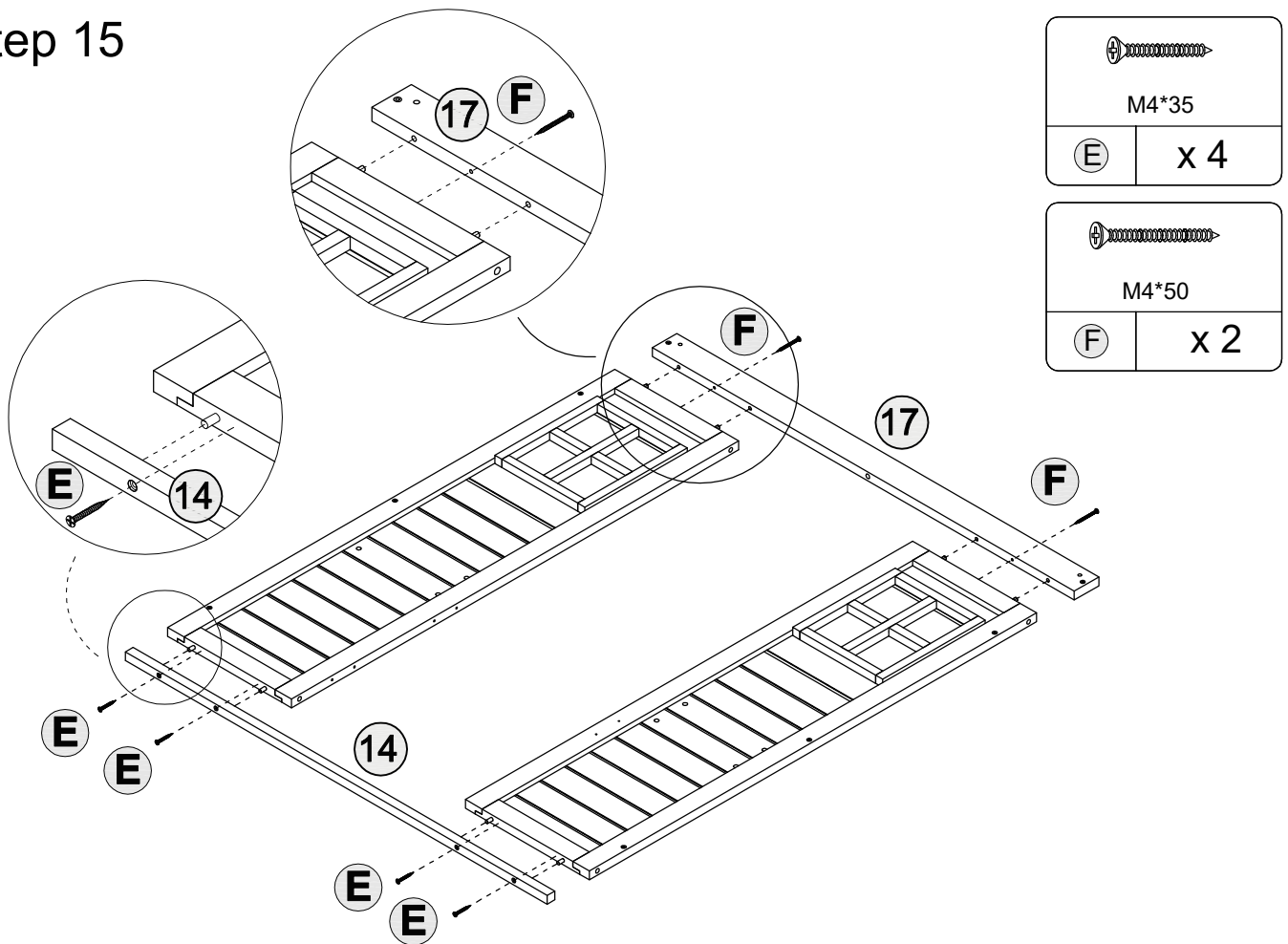


The rear wall frame has been installed.

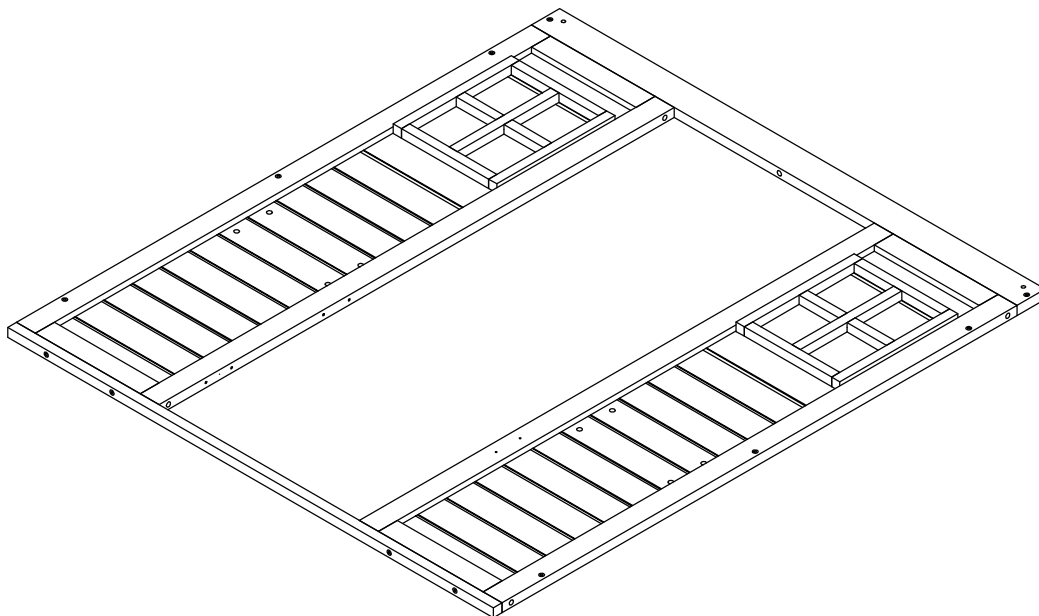
Step 14



Step 15



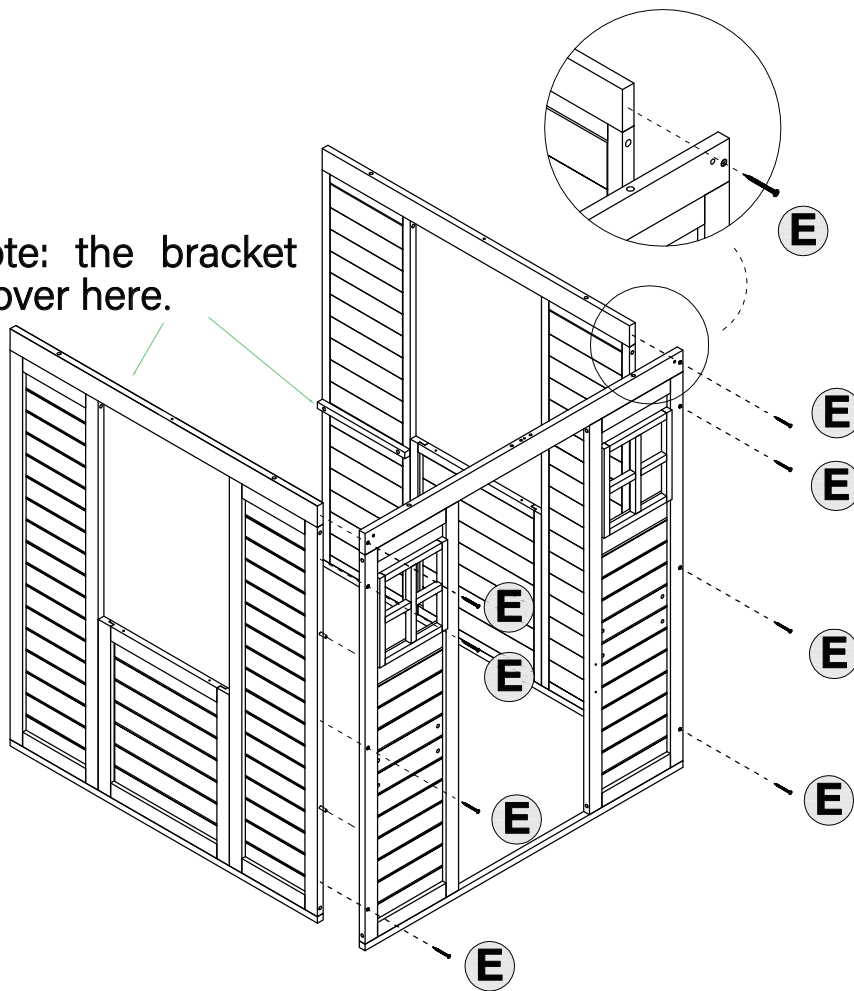
Step 16

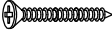


The front wall frame has been installed.

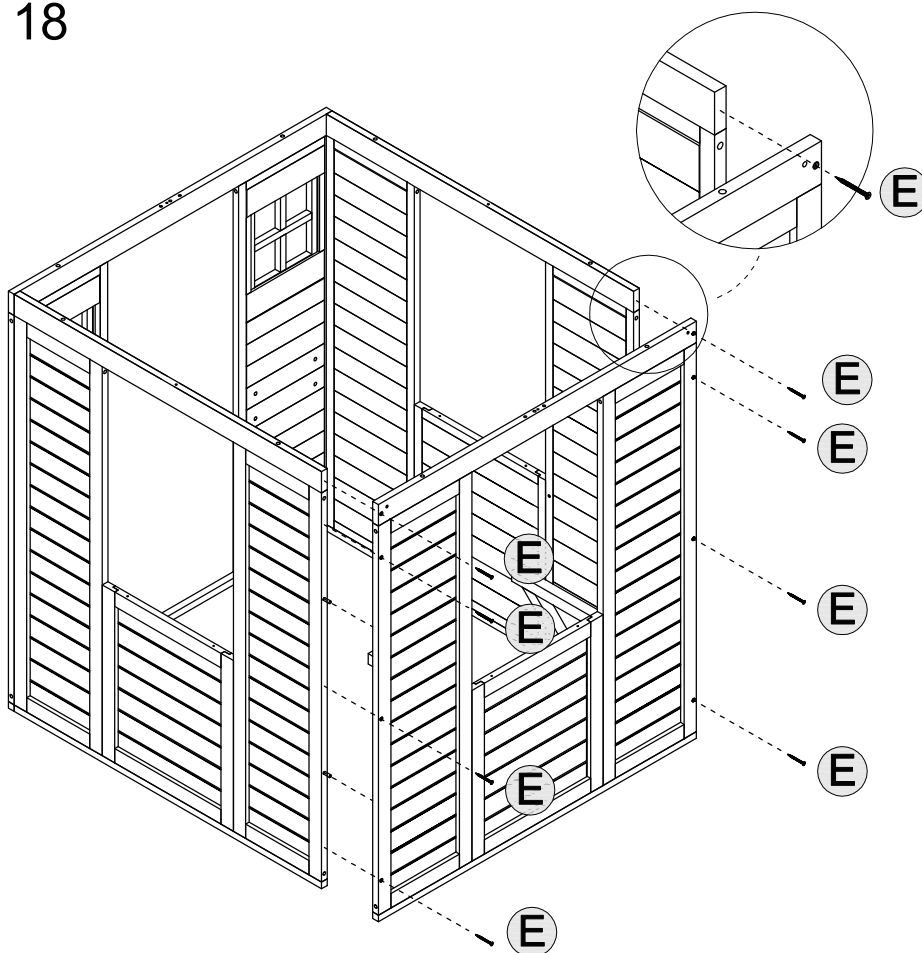
Step 17


Note: the bracket is over here.



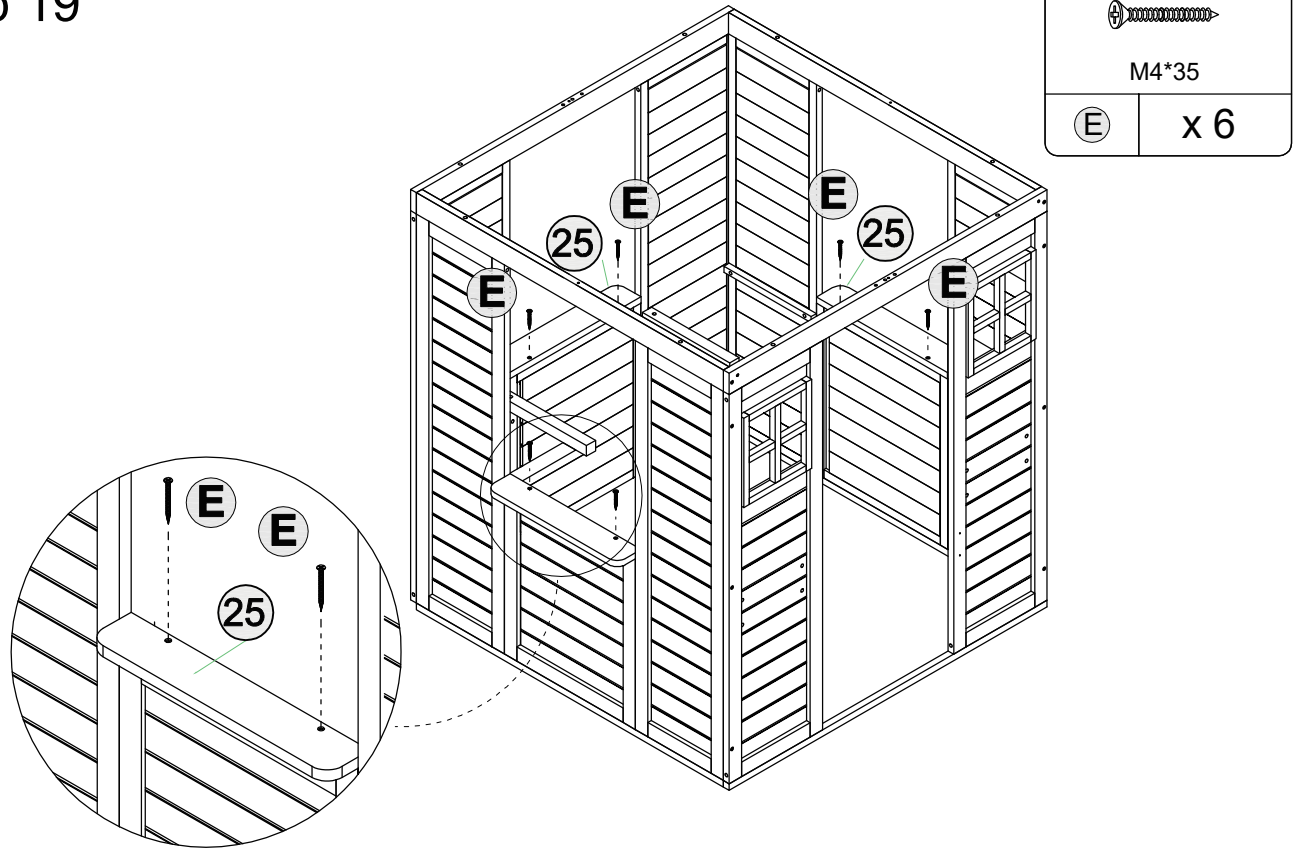
	
M4*35	
(E)	x 8

Step 18

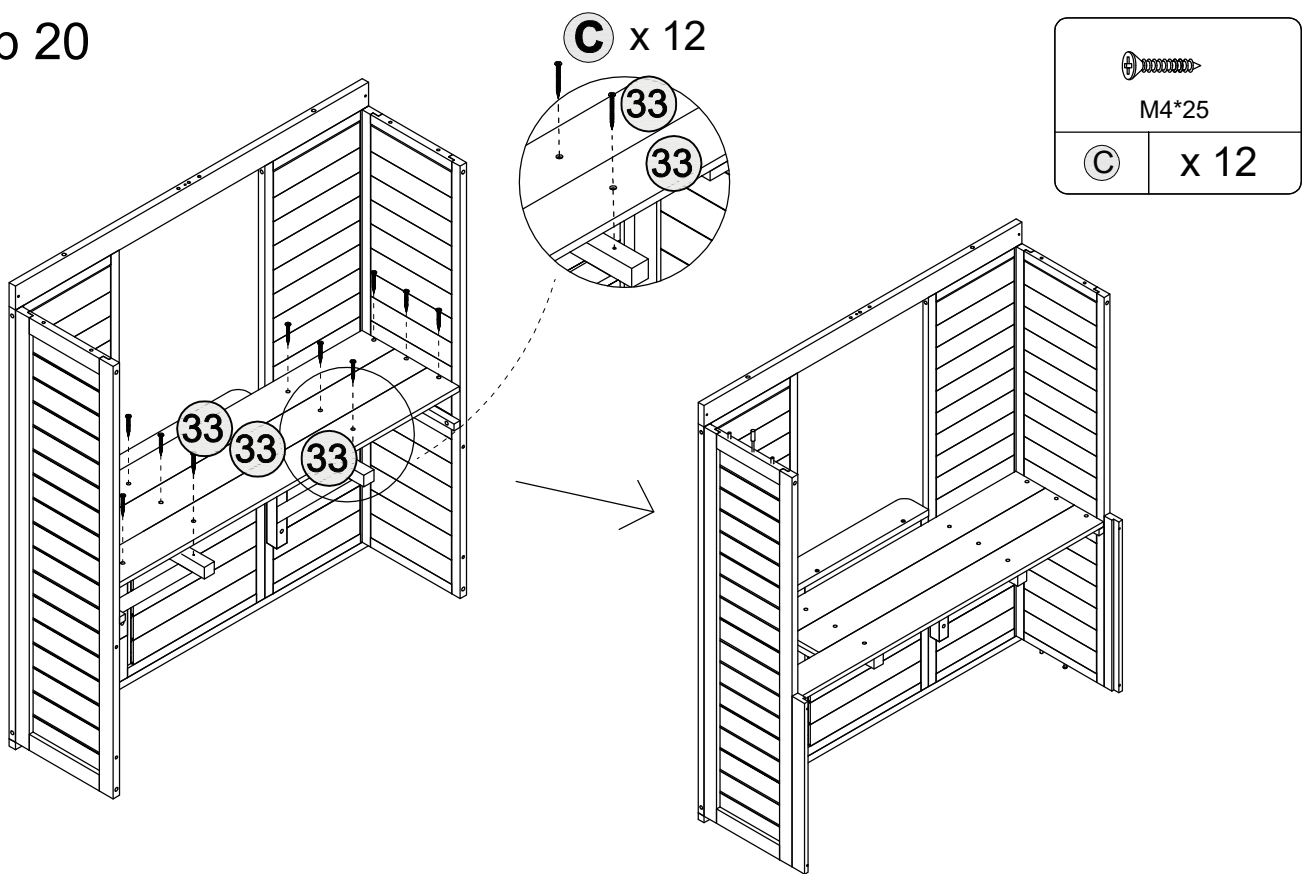


	
M4*35	
(E)	x 8

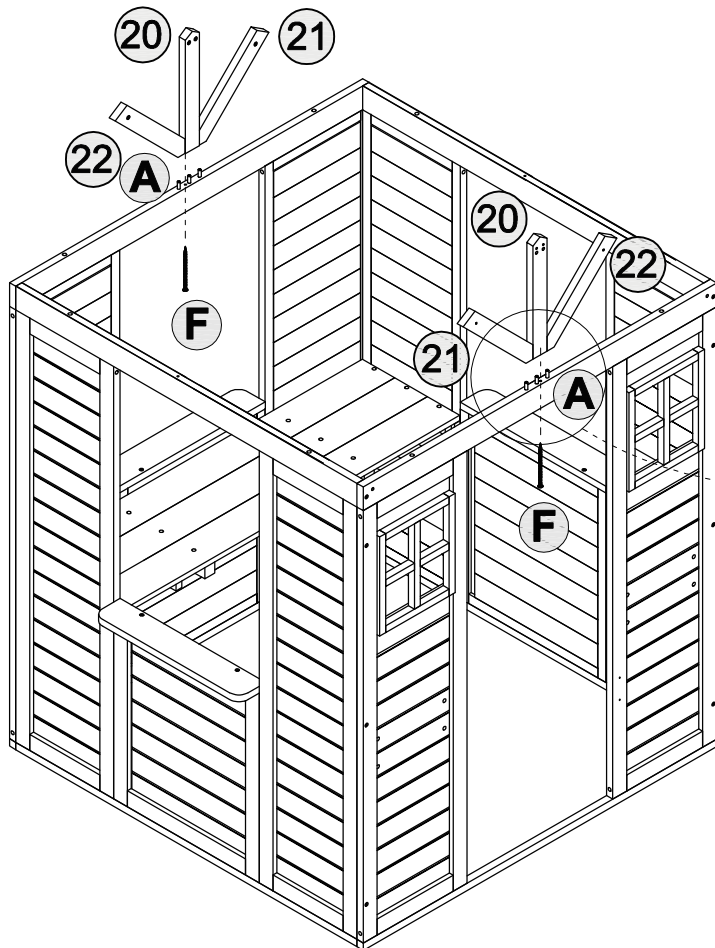
Step 19




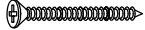
Step 20

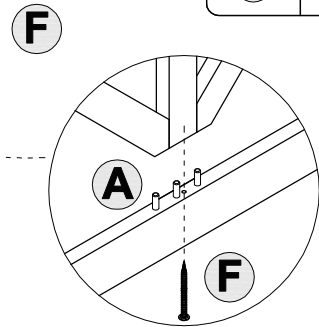


Step 21

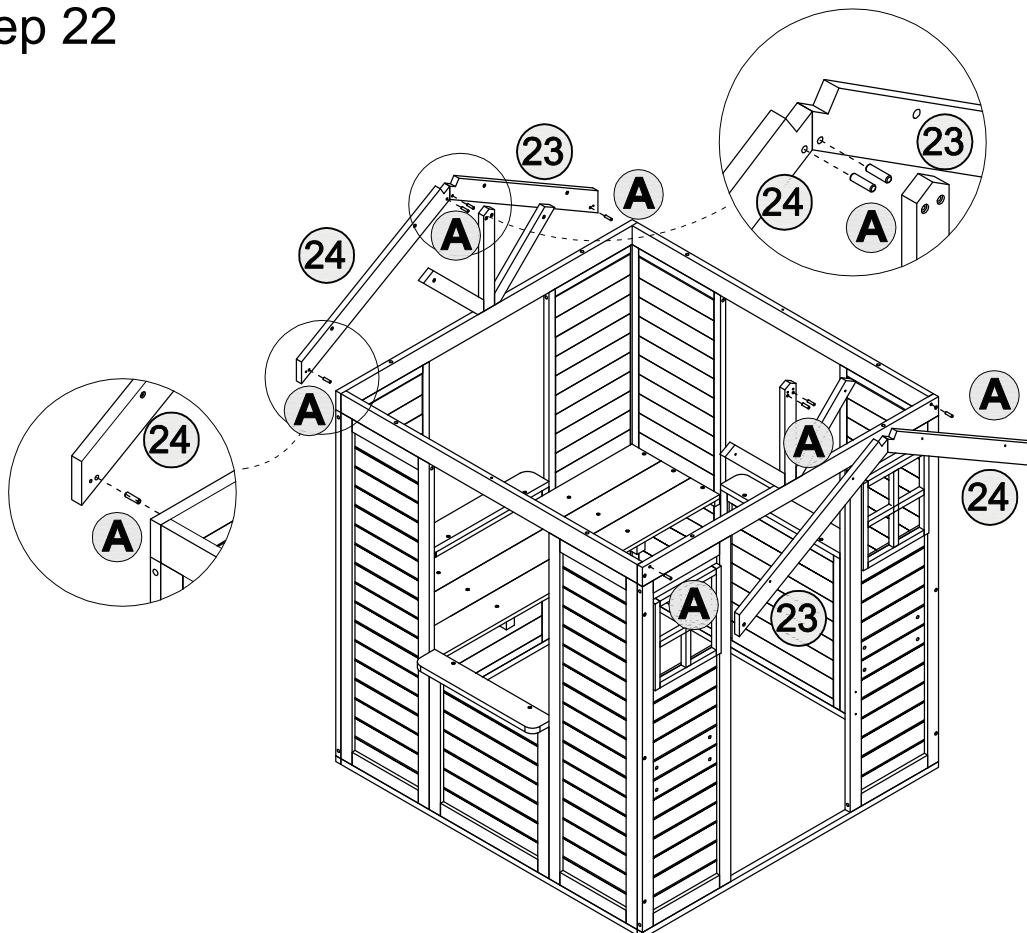



	
Ø6*25	
(A)	x 6

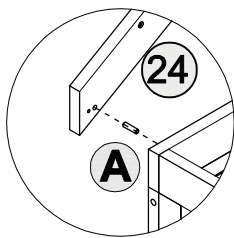
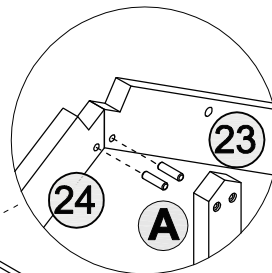
	
M4*50	
(F)	x 2



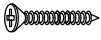
Step 22

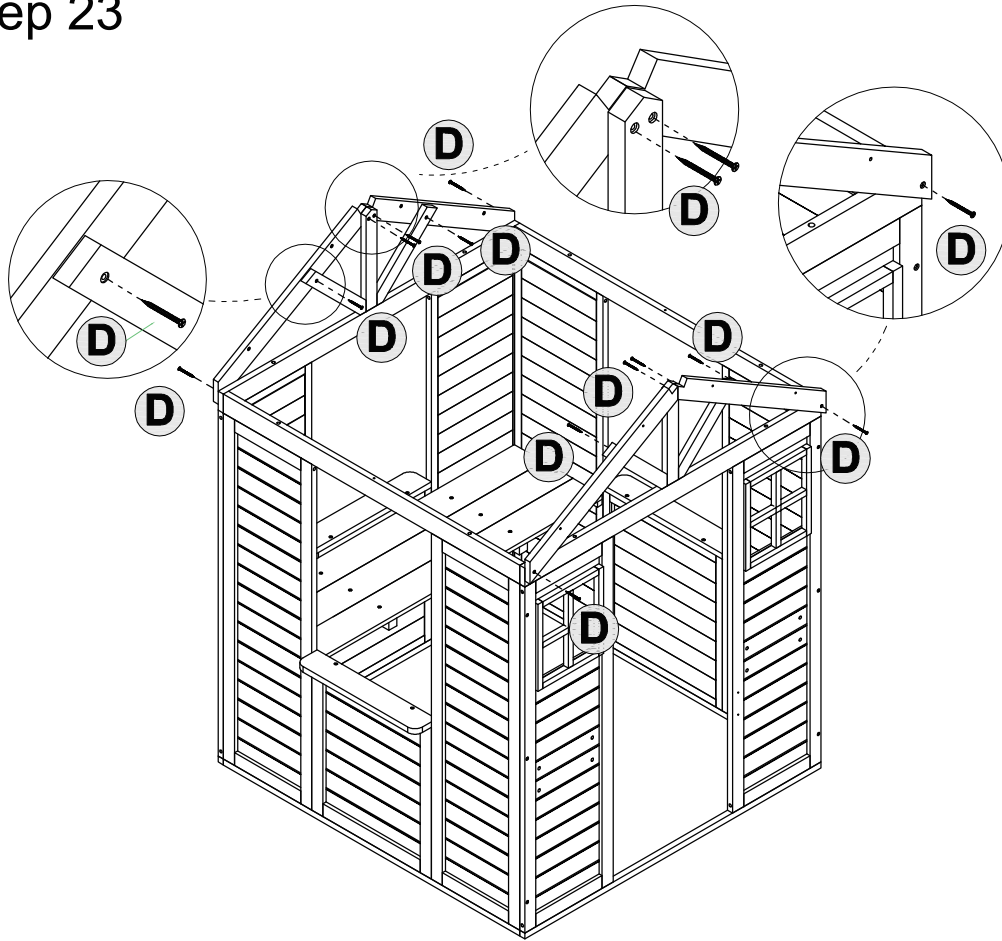


	
Ø6*25	
(A)	x 8

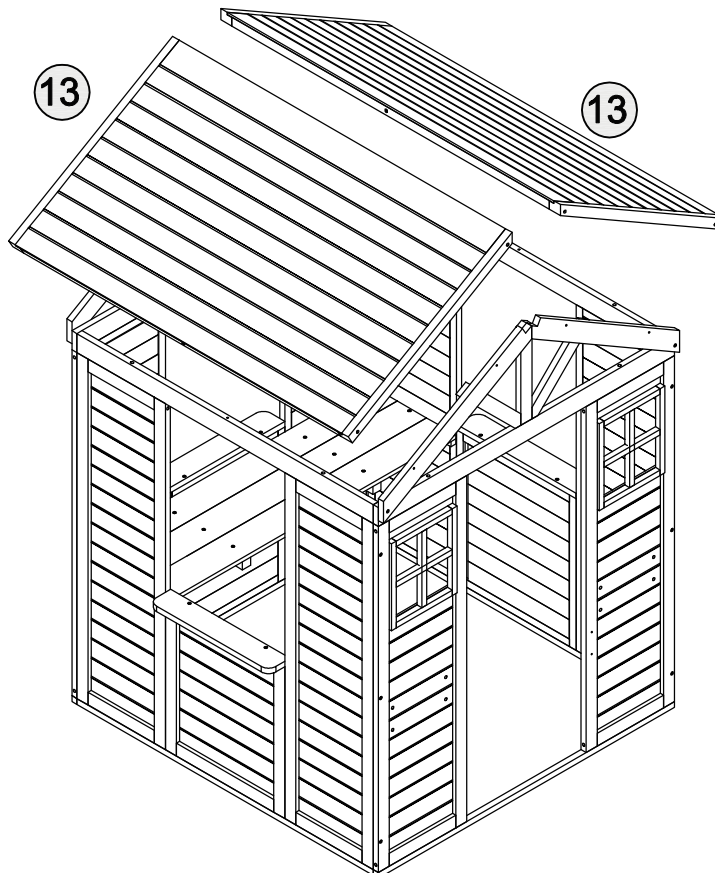


Step 23

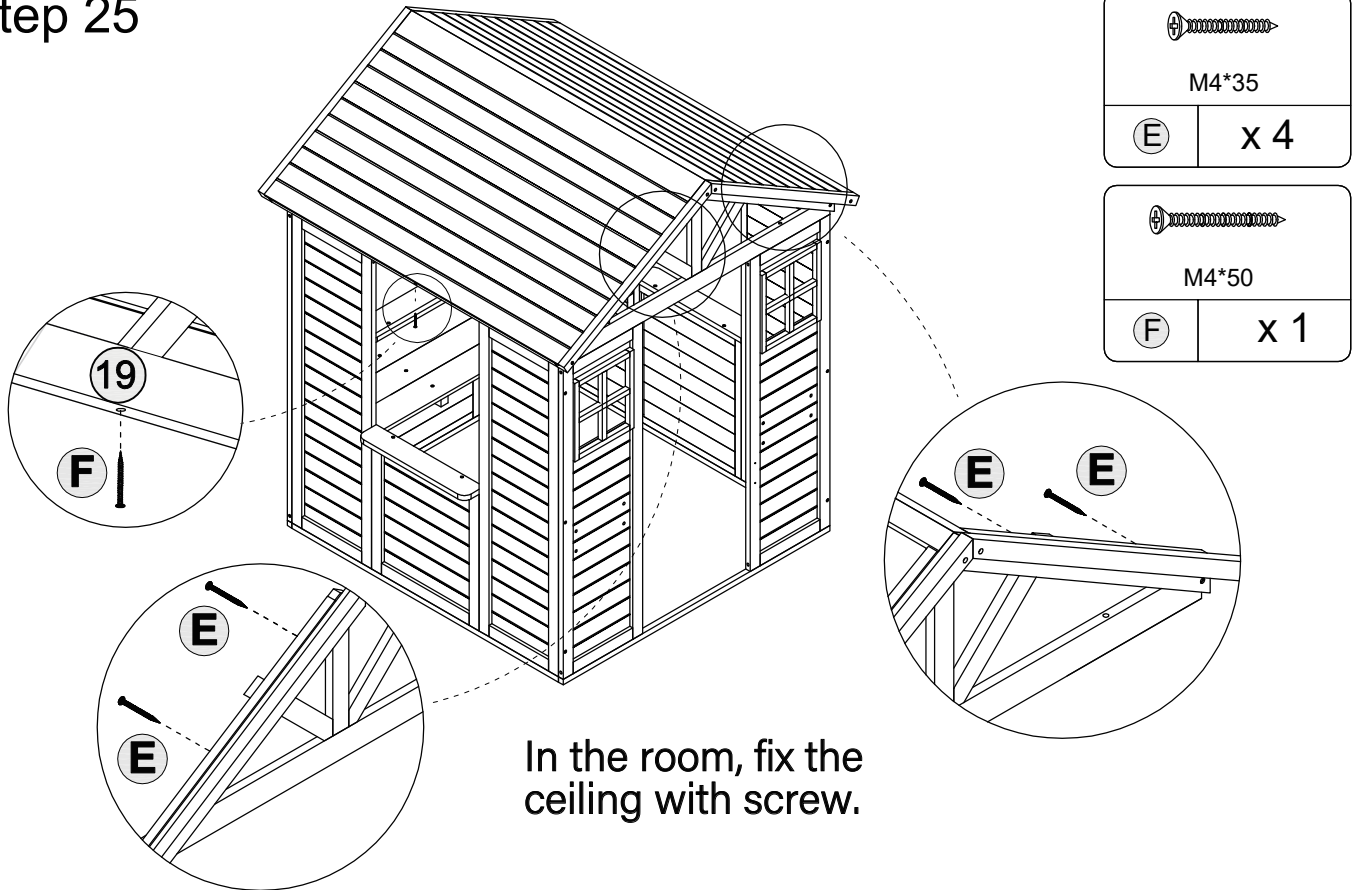
	
M4*30	
D	x 12



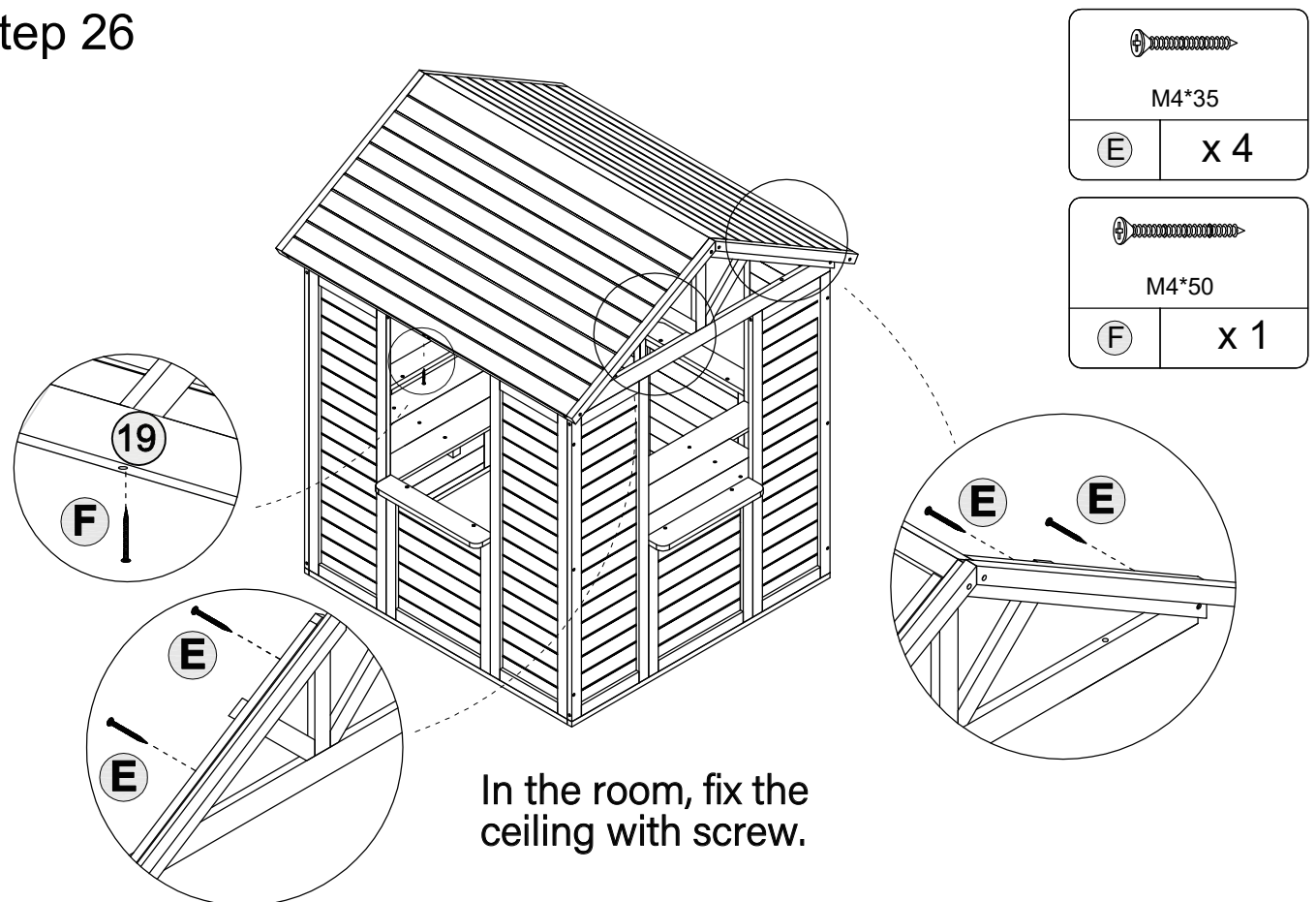
Step 24



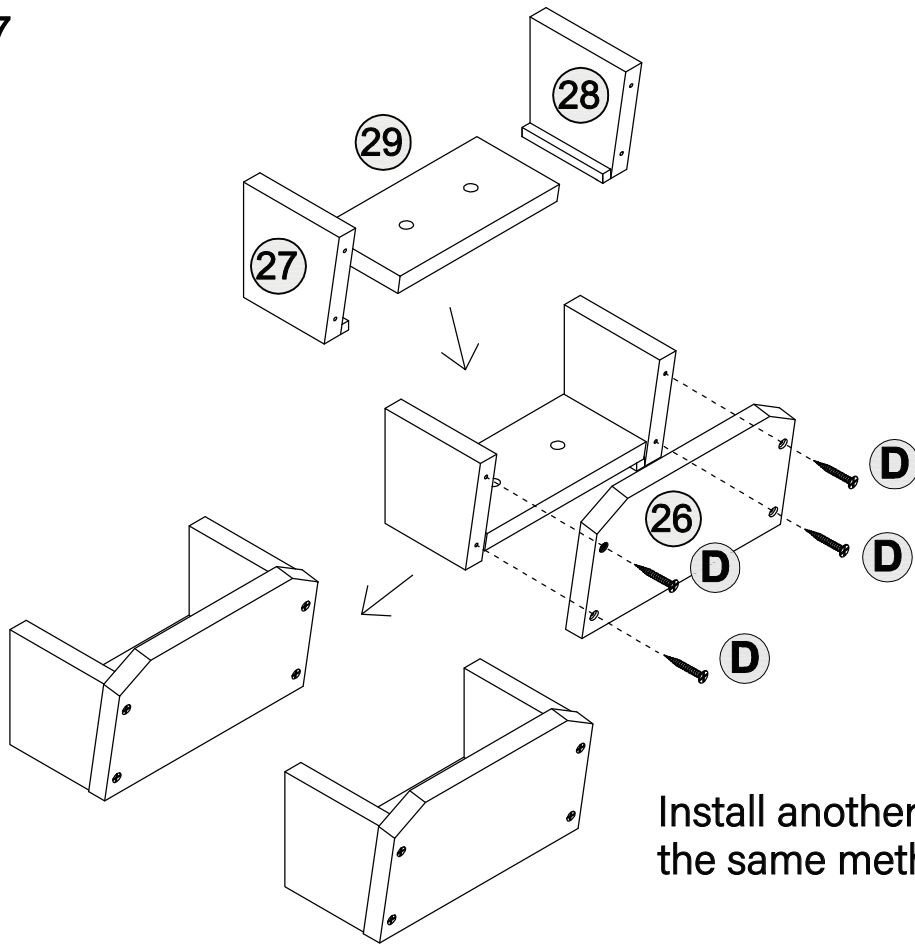
Step 25

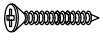


Step 26



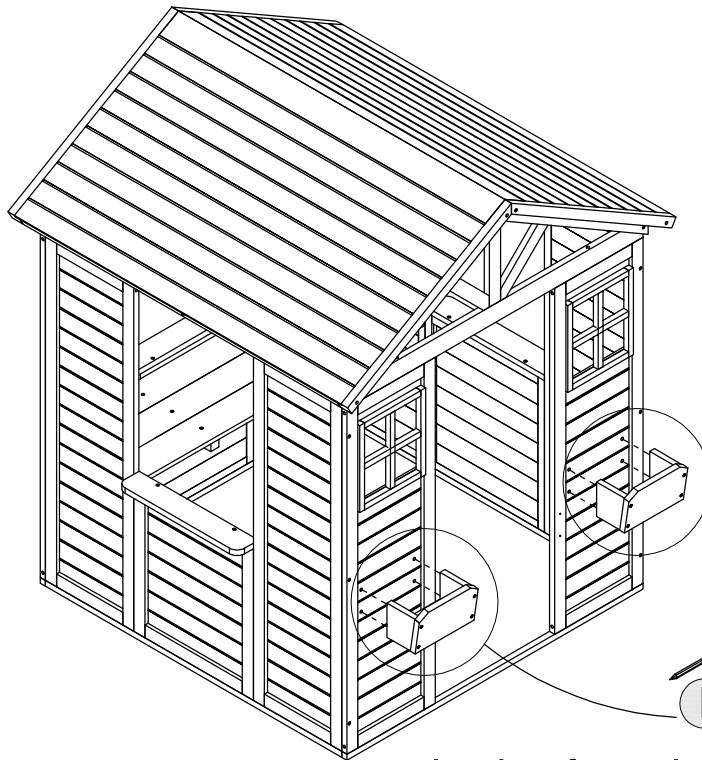
Step 27





	
M4*30	
(D)	x 8

Install another one using the same method.

Step 28




	
M6*25	
(G)	x 8

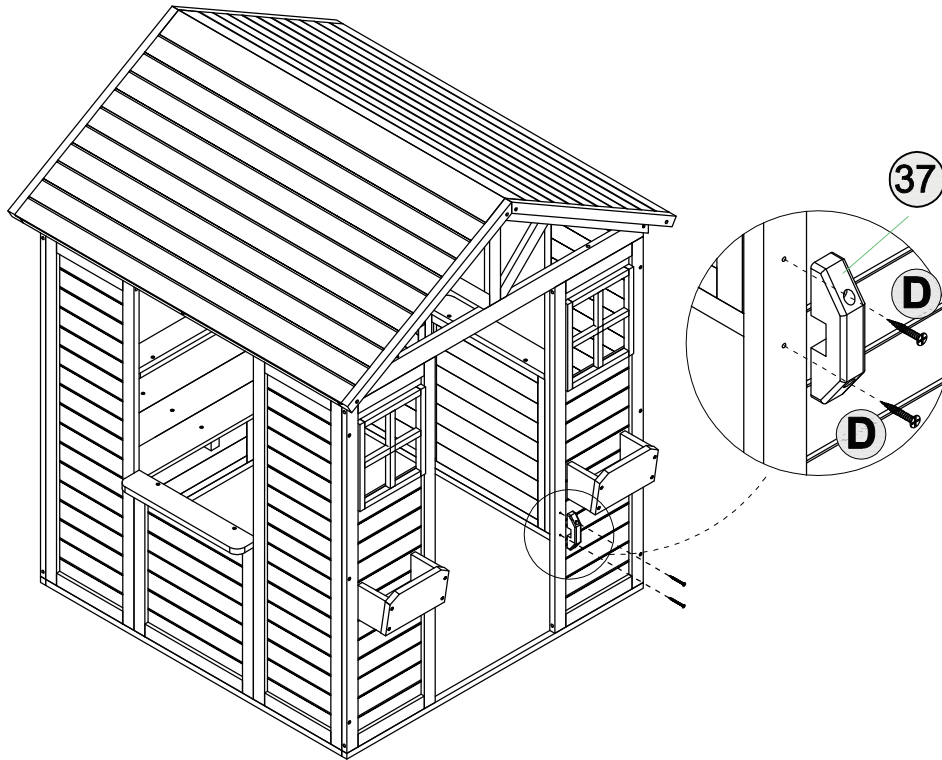
	
(I)	x 1

Attach the assembled flower basket with tool I and screw G

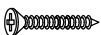
basket from the room.

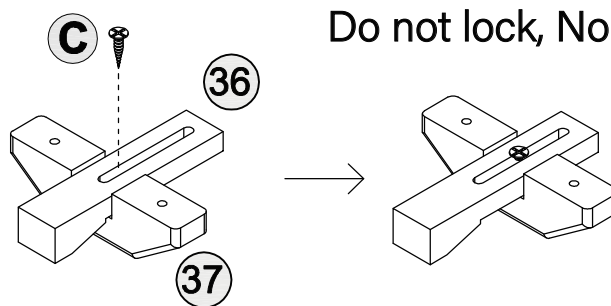
Step 29

	
M4*30	
(D)	x 2



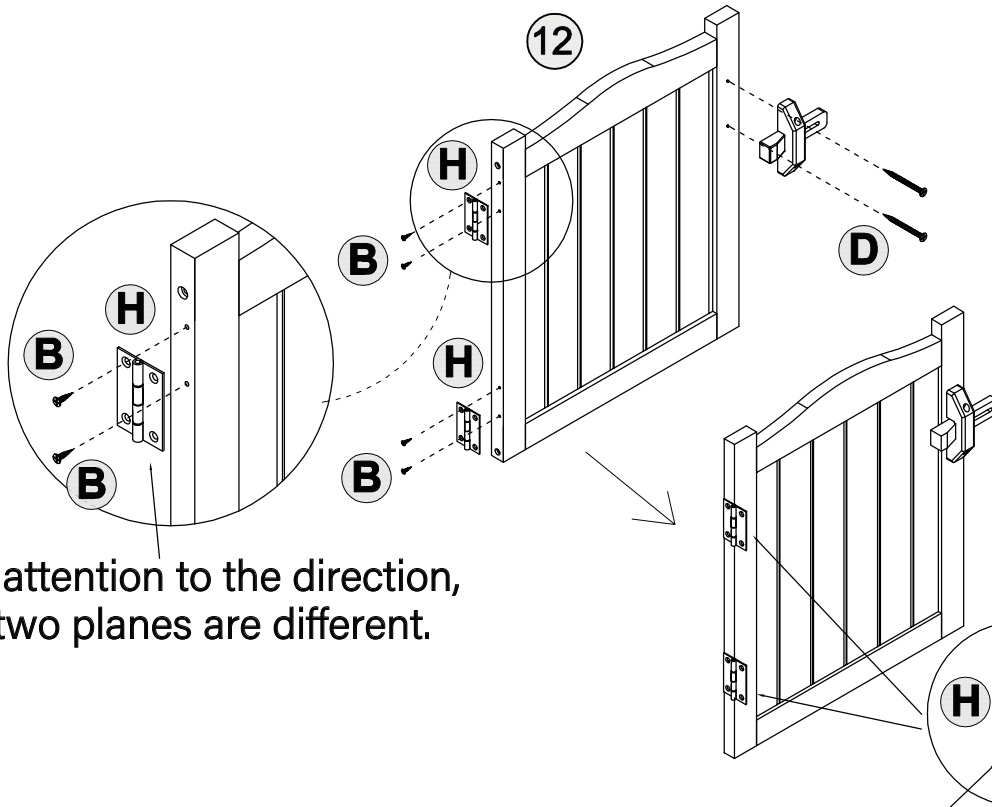
Step 30


	
M4*25	
(C)	x 1

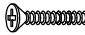


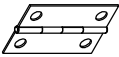
Do not lock, No. 36 can be moved.

Step 31



	
M3*14	
(B)	x 4

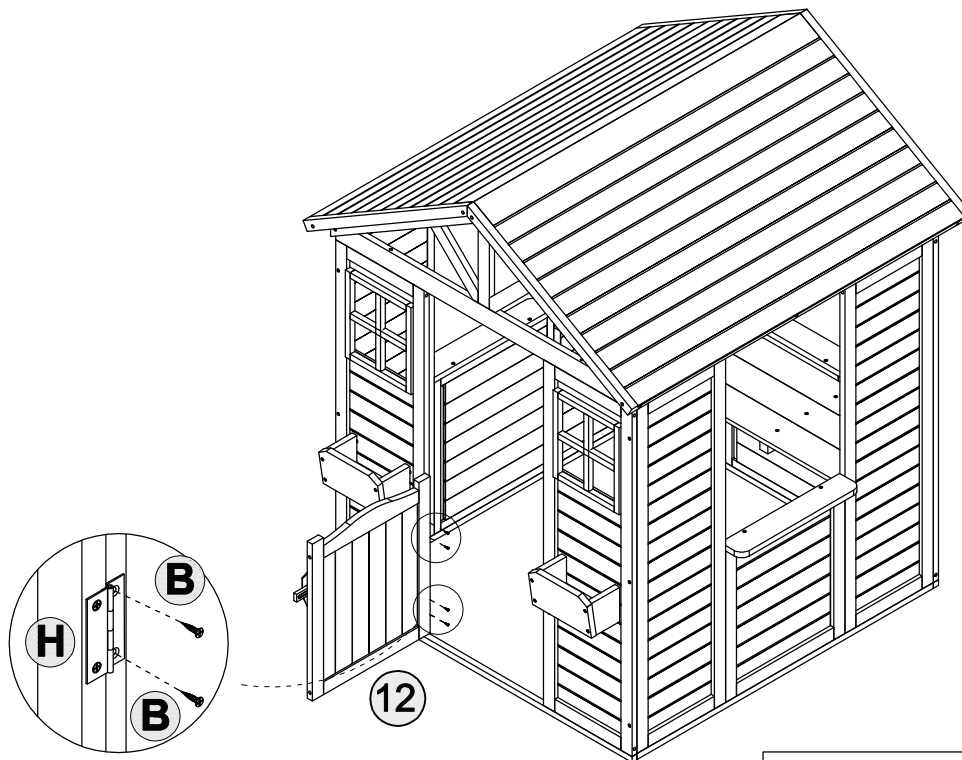
	
M4*30	
(D)	x 2


	
(H)	x 2

Pay attention to the direction, the two planes are different.

Can be closed together.

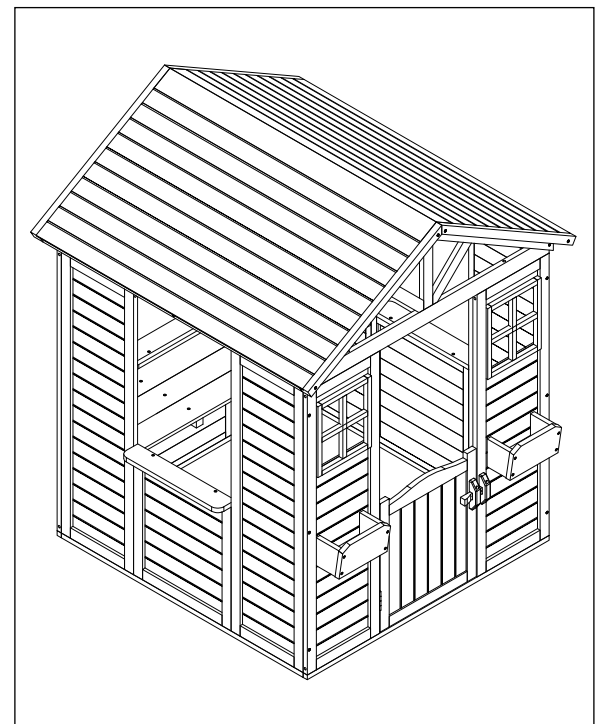
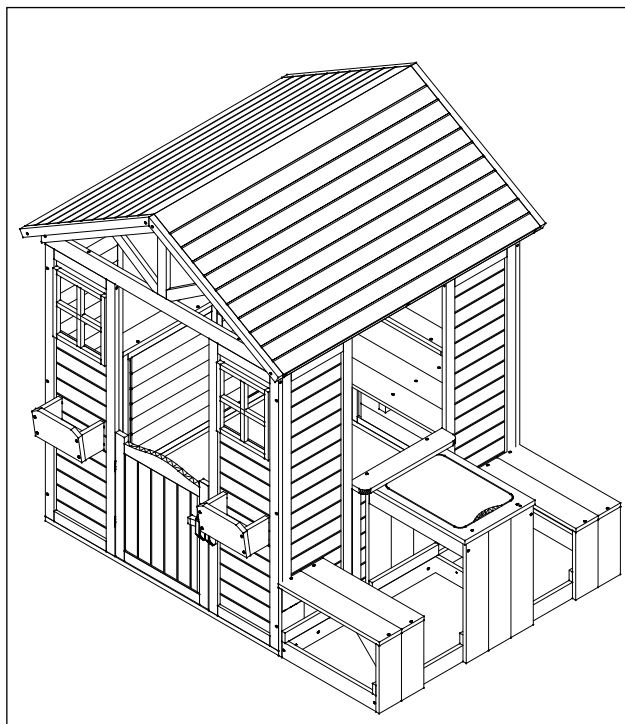
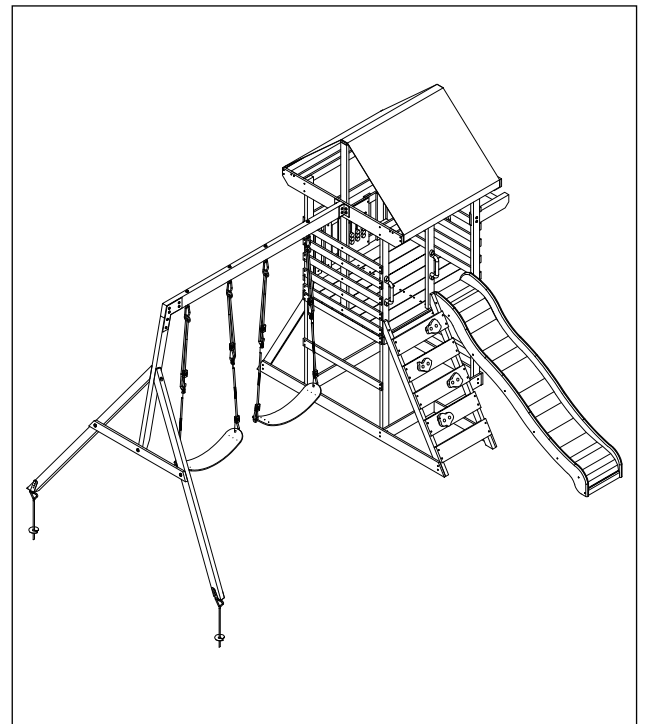
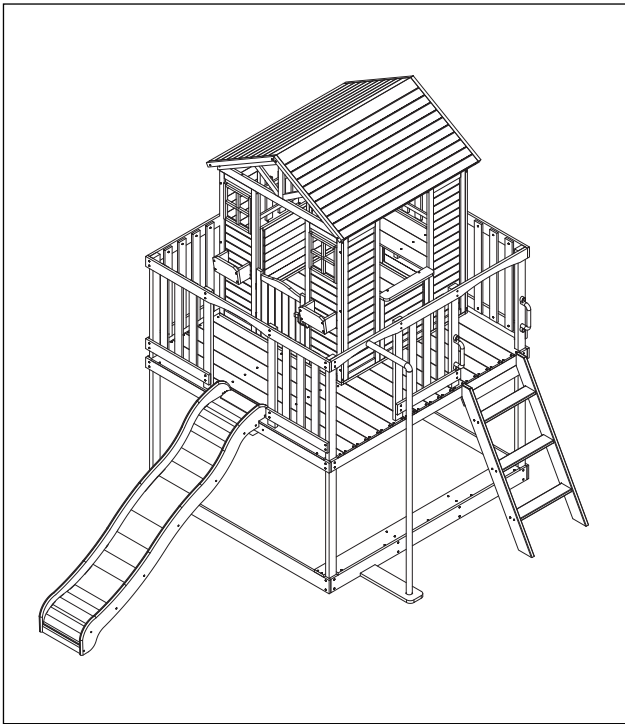
Step 32



	
M3*14	
(B)	x 4

Installation Completed.

Find more children's outdoor products from
KizzParrrr:



kizzparrrr@gmail.com