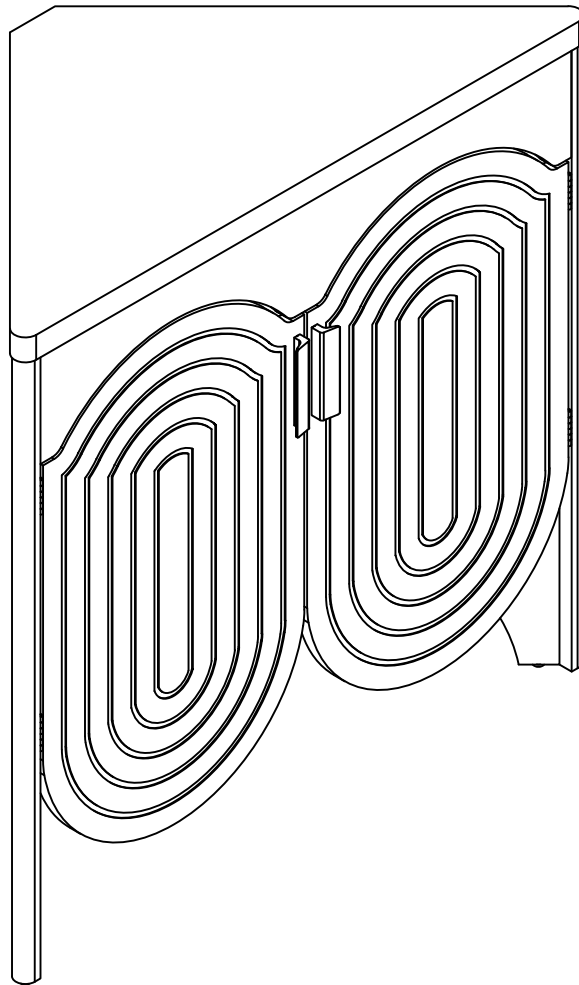


Installation Instruction



Assembling

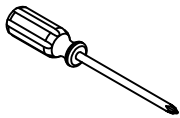
Estimated time for assembly



45 : 00

What you need

- Use the packaging carton as a working surface to prevent product damage during assembly
- Phillips head screwdriver



Weight Limitation

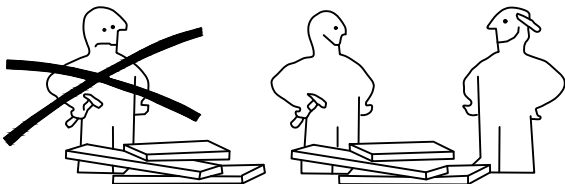


100

lbs table top

| 35

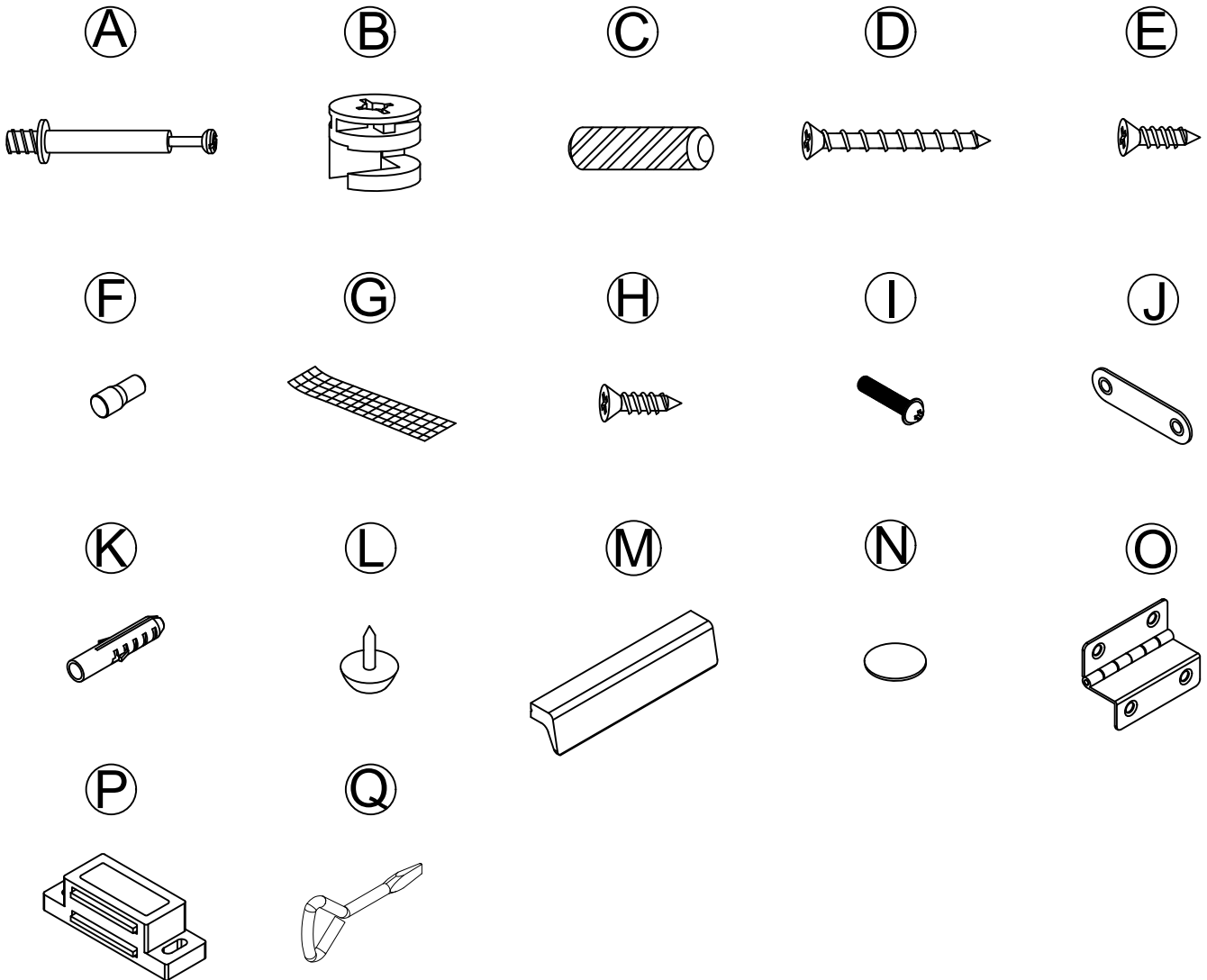
lbs per



What' included

Code	Description	Qty
A	Cam Bolt M6X35MM	19
B	Cam Lock 15X10MM	19
C	Wooden Dowel M8X30MM	16
D	Screw M4X40MM	2
E	Screw M3.5X14MM	14
F	Shelf Holder	4
G	Nylon Strap	2
H	Screw M3.0X16MM	12
I	Cam Bolt M4X18MM	4
J	Metal iron sheet	2
K	Anchor	2
L	MATS	6
M	Metal shake handhandle	2
N	Self-adhesive hole sticker	19
O	Shelf Holder	4
P	Iron absorption	2
Q	Screwdriver	1

The Hardwares



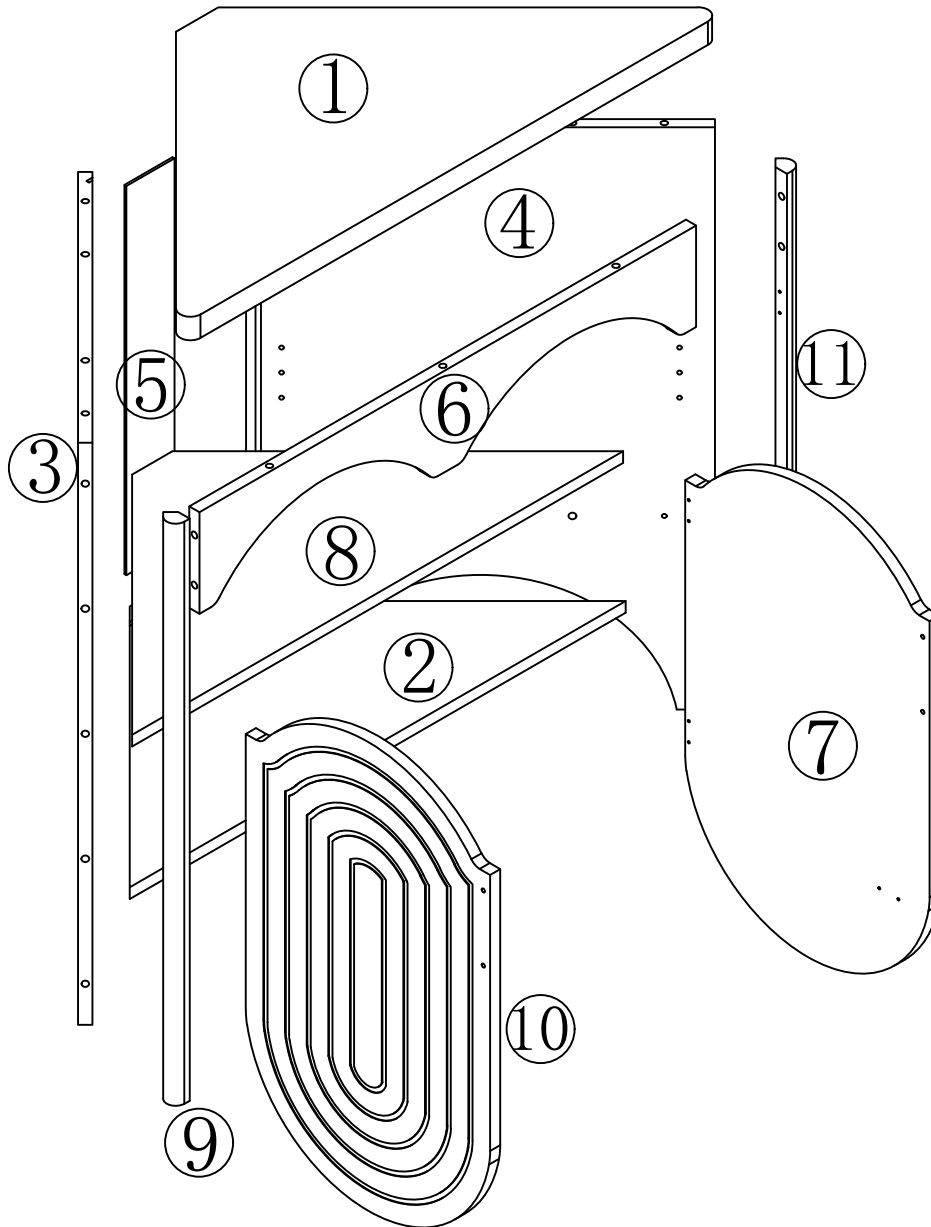
IMPORTANT:

1. Do not tighten bolts / screws completely until all bolts / screws are lined up and inserted into holes.
2. Do not over tighten screws and bolts to avoid stripping
3. Please use hand tools to assemble this product. Do not use power tools.

Included Accessories

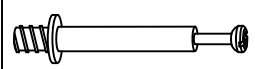

Code	Description	Qty
1	Cabinet Top	1
2	Bottom Panel	1
3	Left Side Panel	1
4	Right Side Panel	1
5	On the rear panell	1
6	Under the panel	1
7	Door leaf	1
8	Shelf	1
9	Left panel decorative strip	1
10	Crura medius	1
11	Right panel decorative strip	1

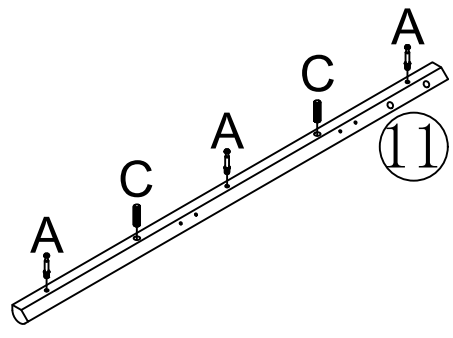
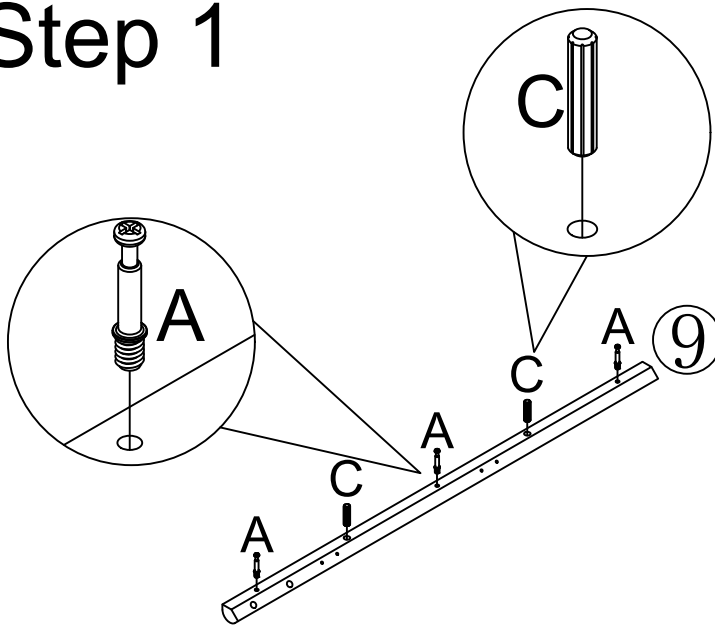
The Accessoriess



Attention! This product requires the assistance of another person during the assembly process, so it is highly recommended that two people assemble together



Step 1

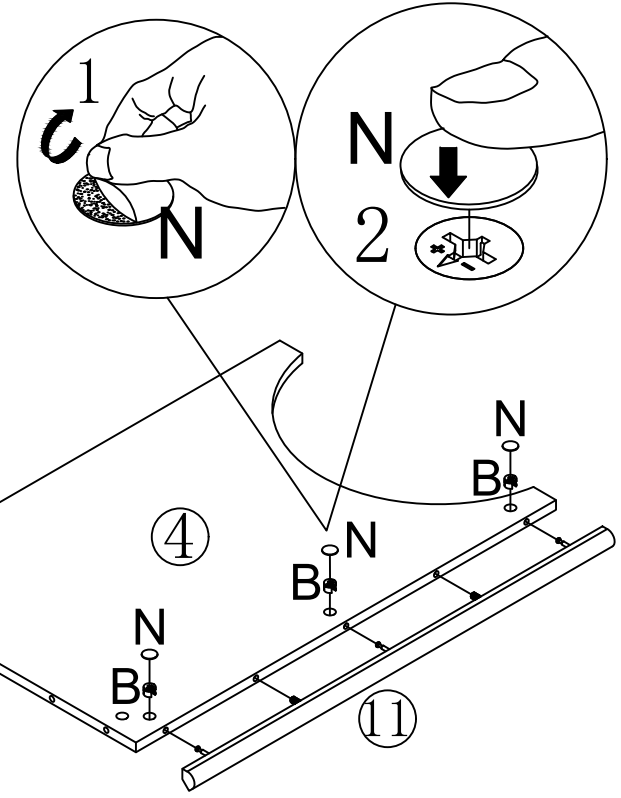
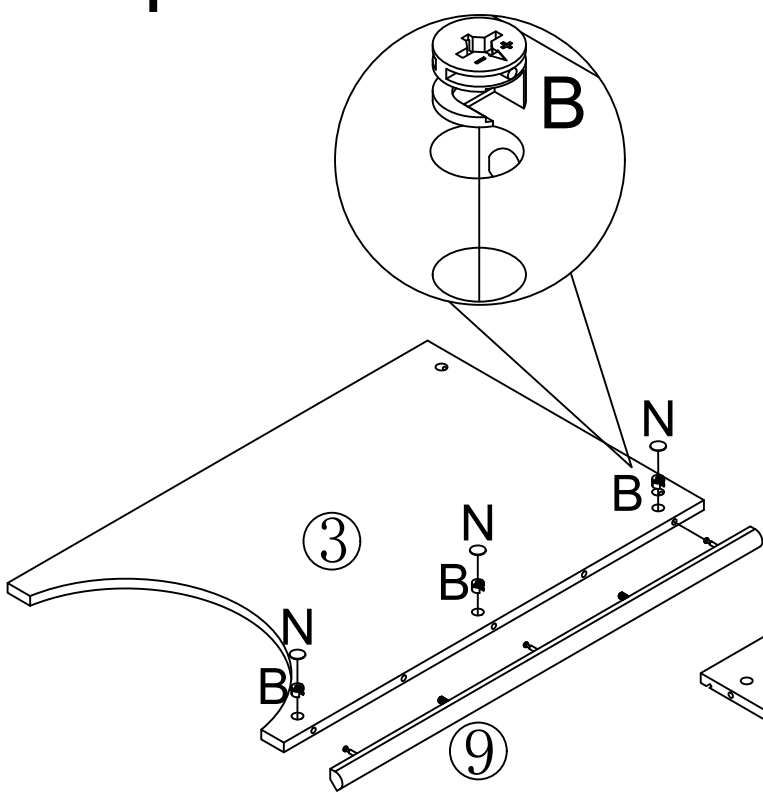
A	×6	C	×4
			



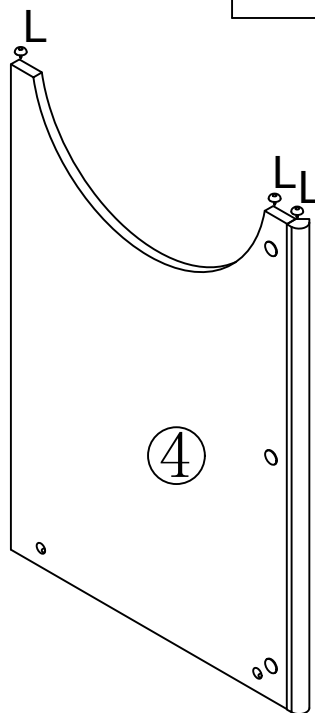
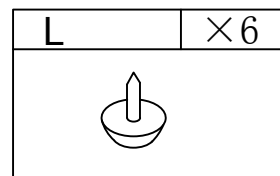
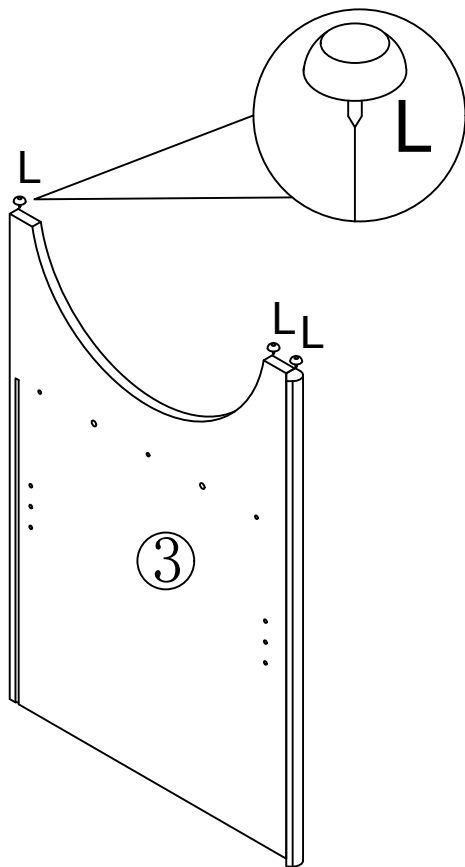
Parts No. ⑨ and No. ⑪ should be noted when locking hardware A because of the camber

Step 2

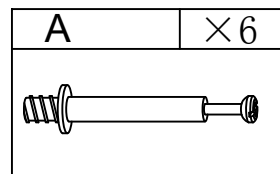
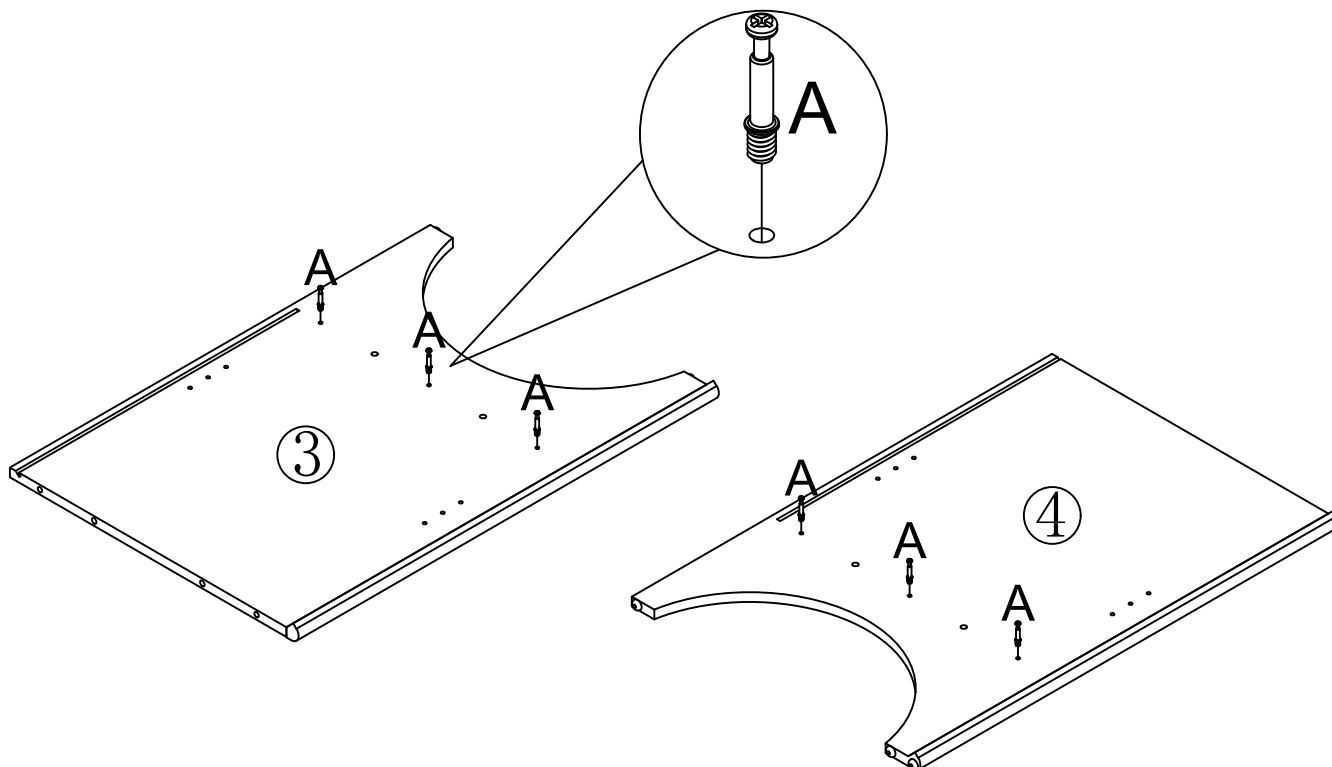
B	×6	N	×6
			




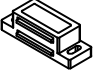
Step 3

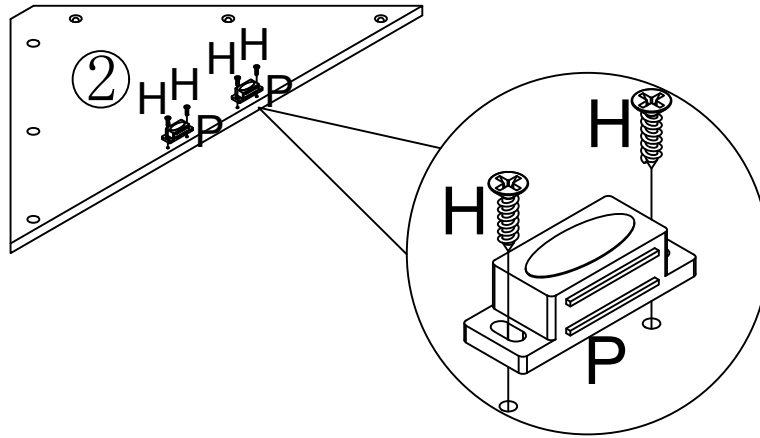


Step 4

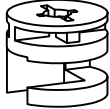
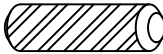



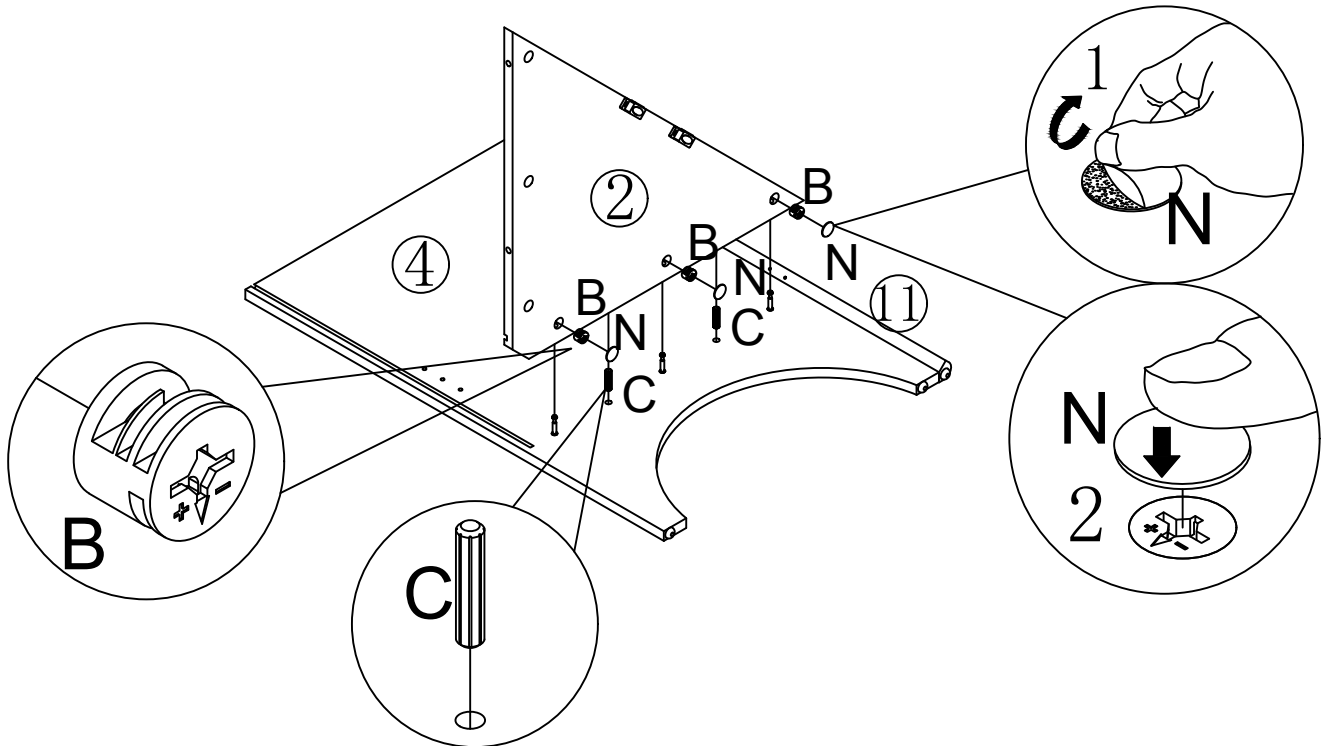
Step 5

H	×4	P	×2
			



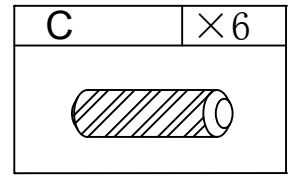
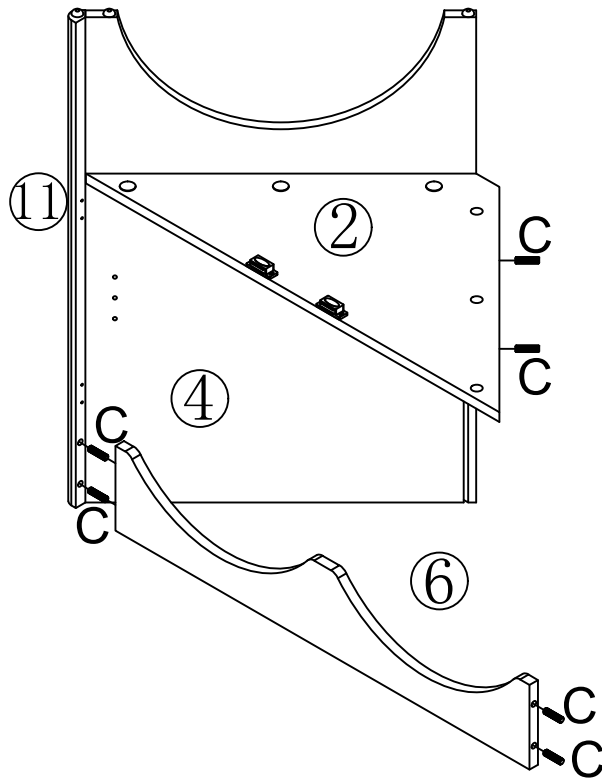
Step 6

B	×3	C	×2	N	×3
					



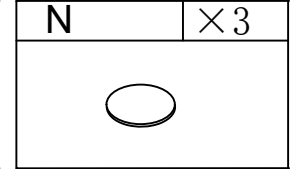
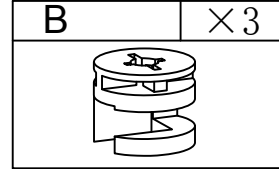
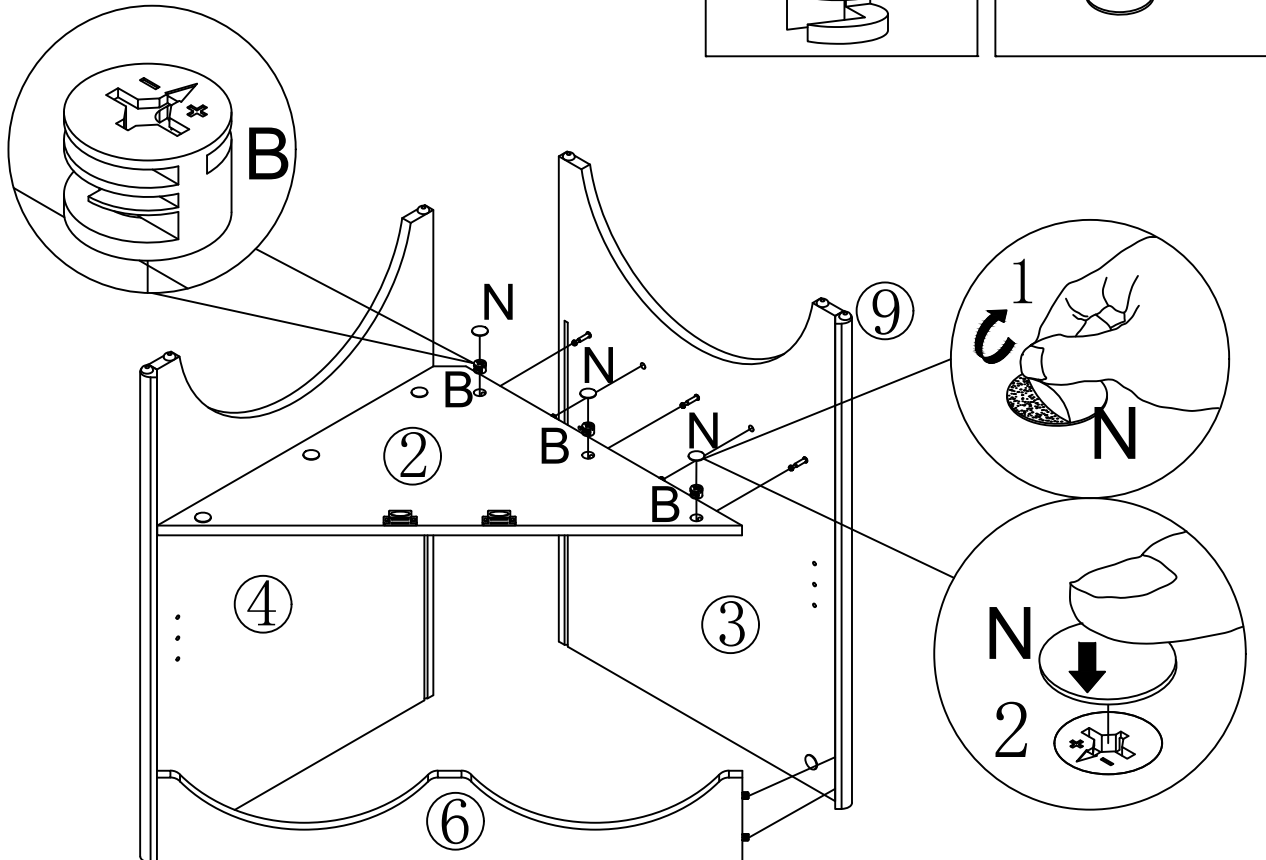
Once you have assembled this step, when you are ready to assemble the next step, you will want to turn the cabinet over, being careful not to break it into pieces. Tips For the next assembly is highly recommended for 2 people

Step 7

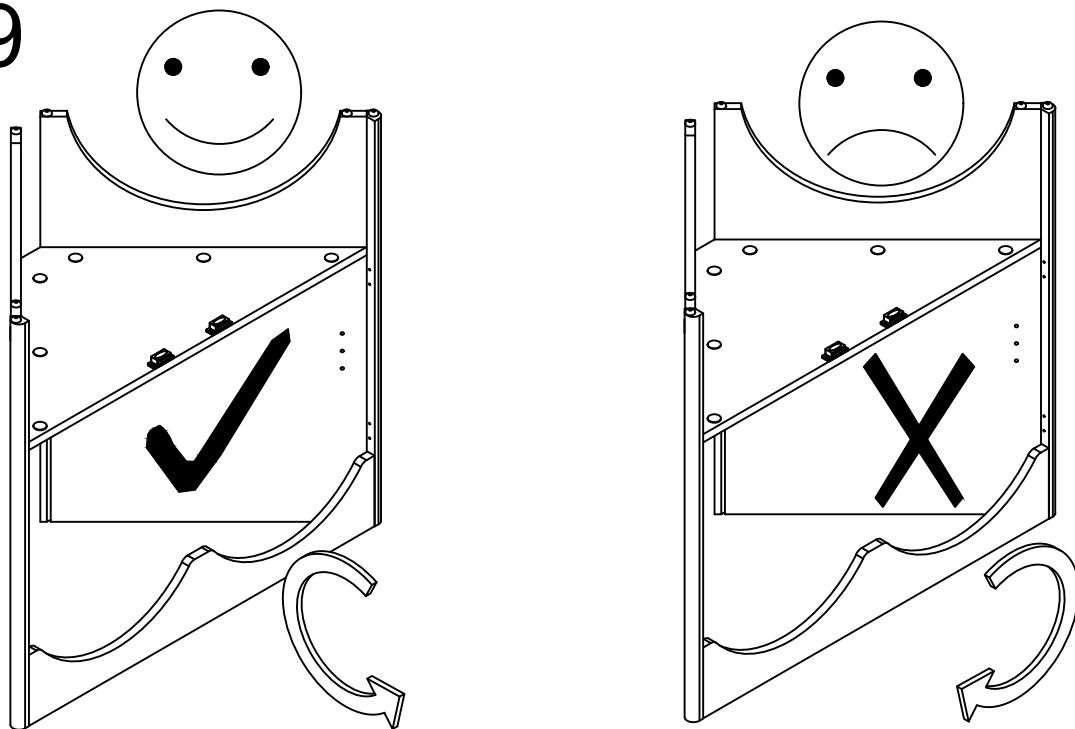


Note that in steps 7 and 8, two people should work together to assemble the cabinet. One person should hold the cabinet and one person should assemble the cabinet to prevent it from falling down

Step 8



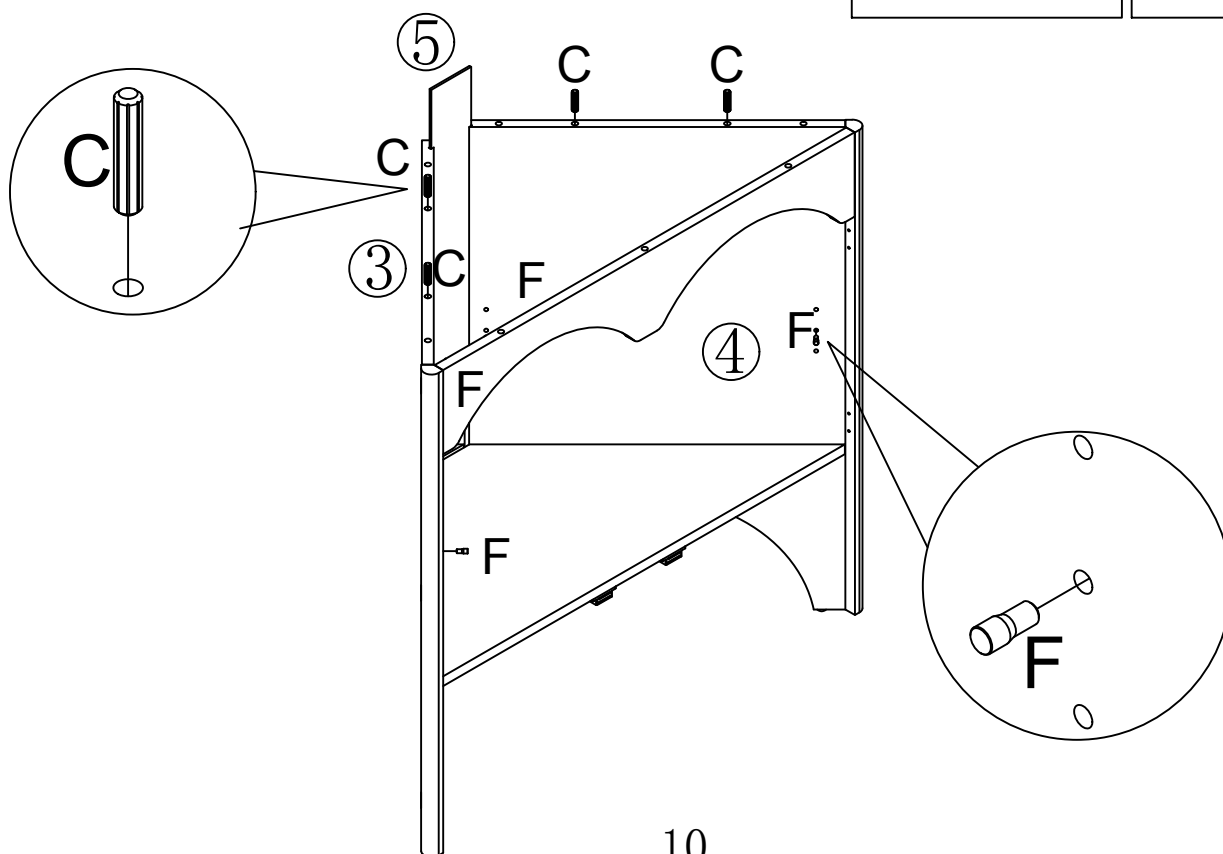
Step 9



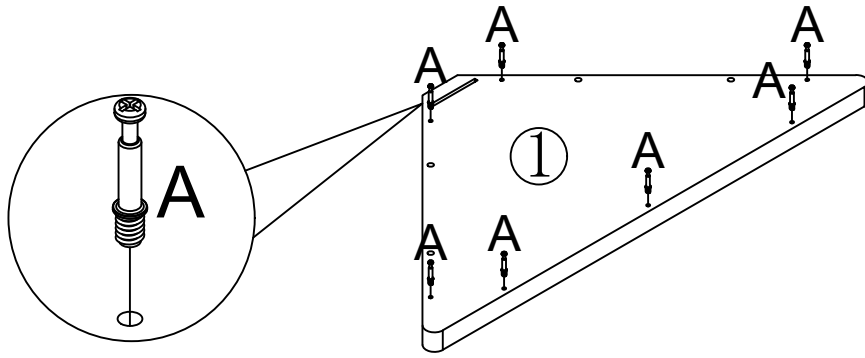
Note that when assembling the next step, the cabinet should be upside down as shown in the figure. It should be rotated back and forth, rather than left and right, so as not to fall apart, and be careful when rotating back and forth

Step 10

C	×4	F	×4



Step 11



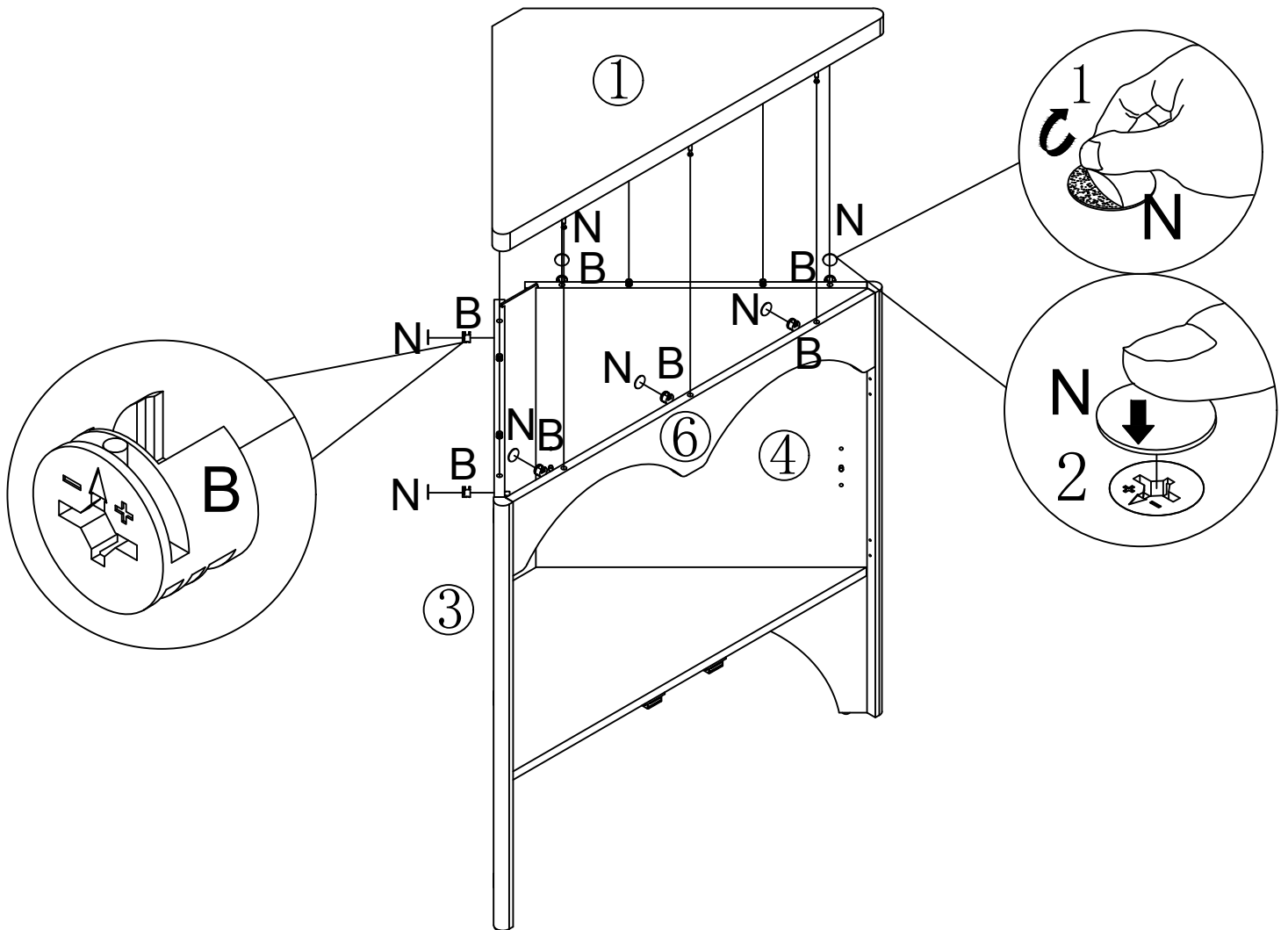
A	×7

Step 12

B	×7

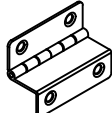

N	×7

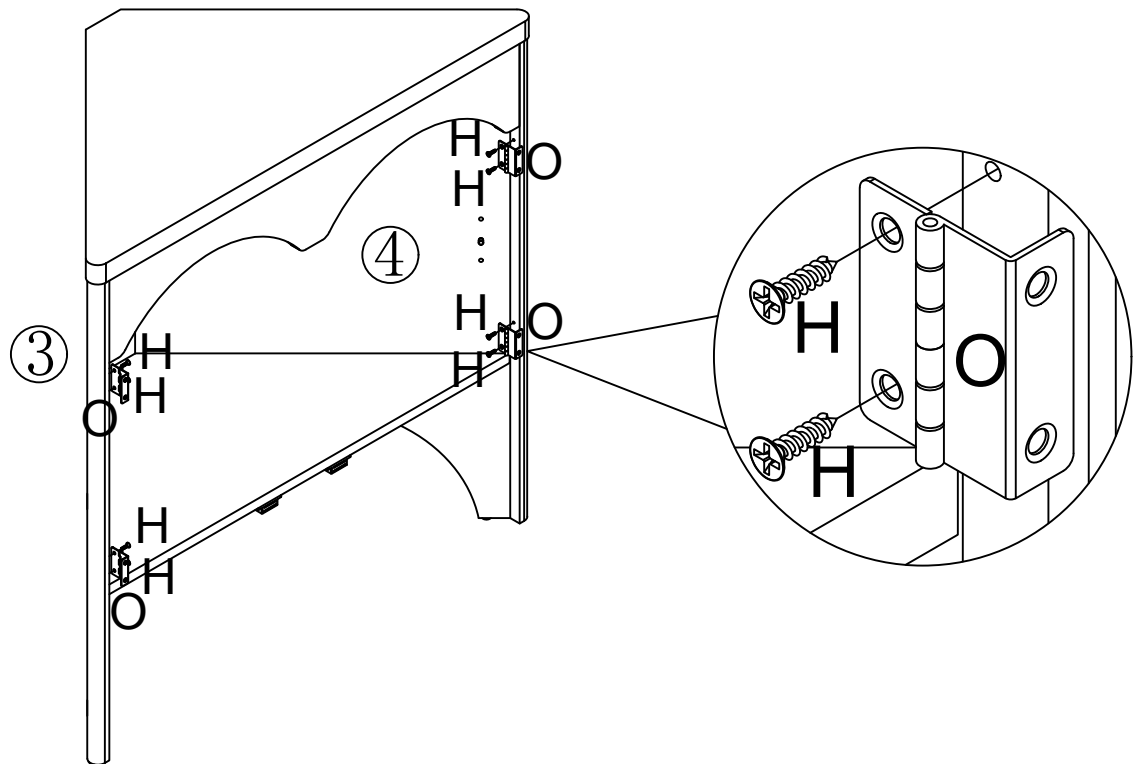
Q	×1



When locking the No. ⑥ plate eccentric, if the screwdriver at home is too long, you can use the screwdriver numbered Q in the hardware bag to lock it

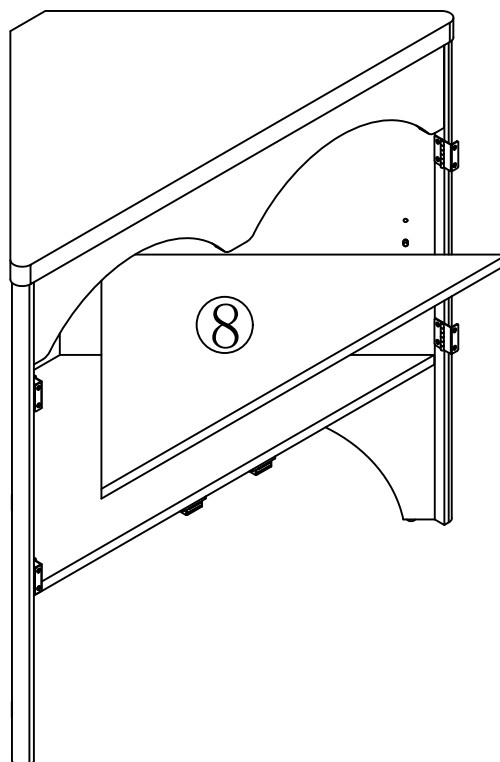
Step 13

O	×4	H	×8
			



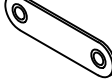
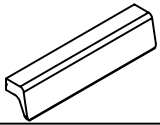


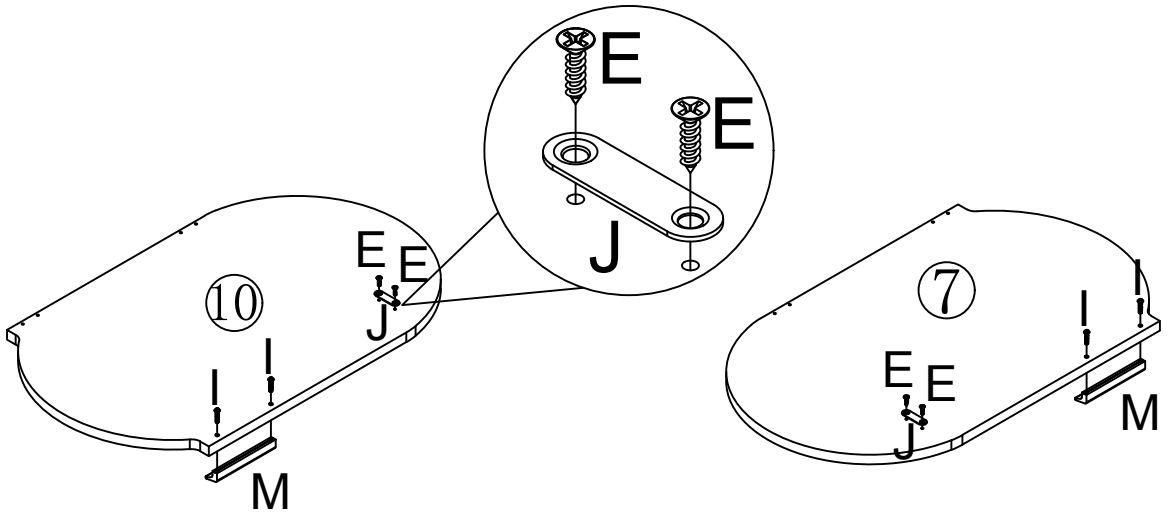
Note that the self-tapping of the hardware number H should be vertical and not crooked when locking to avoid the subsequent door is not tight

Step 14




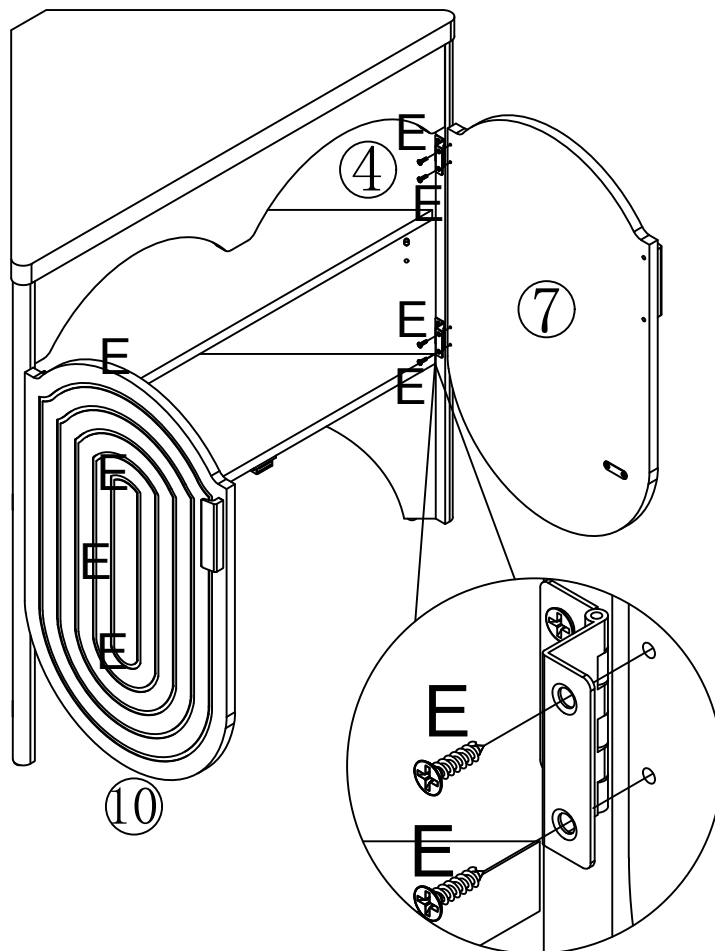
Step 15

E	×4	I	×4	J	×2	M	×2
							

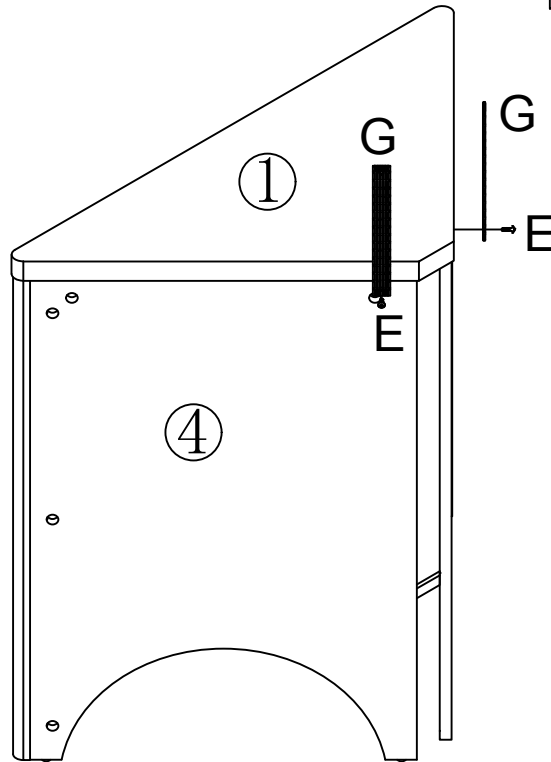
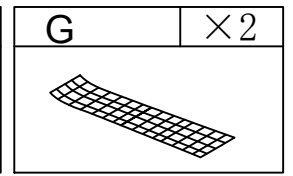
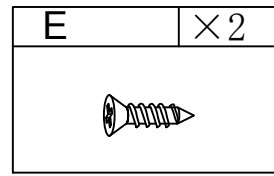


Step 16

E	×8
	



Step 17



Step 18

