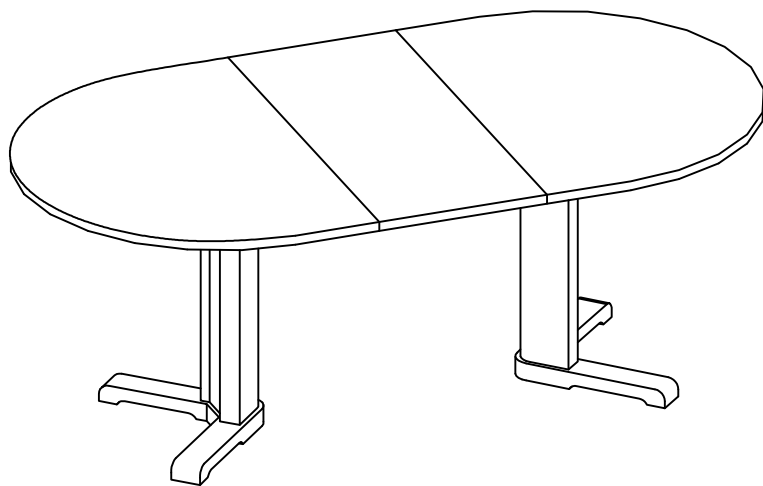
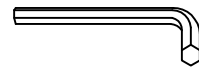


# ASSEMBLY INSTRUCTIONS

---



## TOOLS REQUIRED



Allen Wrench

(Included)



Phillips  
Screwdriver

(Not Included)



2 - Persons  
Recommended

## ASSEMBLY RATING



EASY ————— DIFFICULT

The Assembly Rating is a 5-point system showing the level of effort needed to assemble a specific product.



## CHECK BEFORE STARTING



### Are you missing anything?

Double-check all parts, hardware and accessories listed on Page 6 are accounted for.



### Check out our Quick Tips!

We recommend reviewing the pre-assembly handouts. Even experts need a refresher now and then!



### Should we send any replacements?

Are there any irregularities or flaws in the parts? We can send replacements!



### Prep Time!

Please review the assembly instructions and all diagrams prior to assembling. Set up your workspace by laying the parts and hardware out separately, then begin!

# PRE ASSEMBLY INTRODUCTION

We understand building ready-to-assemble furniture can be a challenging experience for some. To help avoid confusion, we have provided some helpful tips that may speed up the process.



## Teamwork

ALWAYS have at least two people to help with transporting and assembling the product to avoid potential injury and/or damage.



## Suitable Location

Assembling near the area of the intended location is highly recommended.



## Sufficient Space

Make sure you have enough space to move around during the assembly.



## Avoid Scratches

Use cardboard, blankets or a carpeted area while assembling furniture to prevent scratches.



## Flat Surface

Make sure the furniture rests on a flat and level surface with each leg evenly touching the floor.

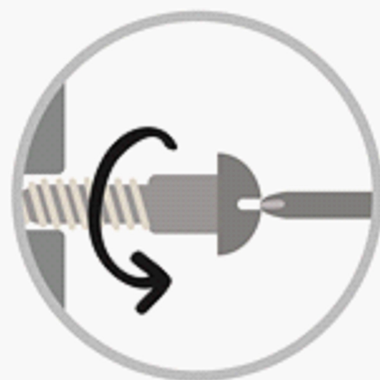
# ASSEMBLY AND CARE ADVICE



**FAILURE TO FOLLOW THE GUIDELINES BELOW MAY RESULT IN INJURY AND/OR PROPERTY DAMAGE.**



Position each part correctly and insert screws or bolts into their respective holes.



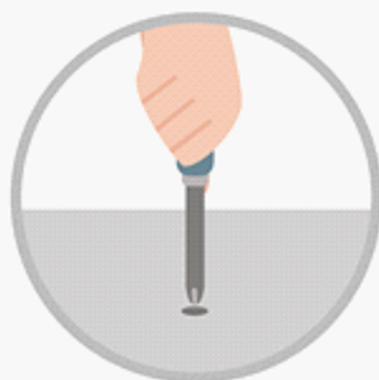
Turn clockwise to tighten and only tighten when step is completed or when instructed to do so.



Use the appropriate hand tools or power tools for assembly. Select steps, such as tightening screws and/or bolts, may require hand tools to avoid causing damage during assembly.



Save the instructions and store any supplied tools for later maintenance.



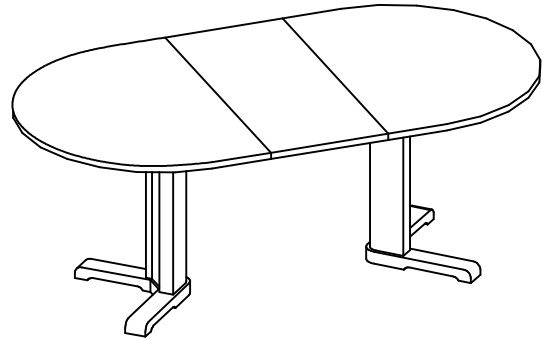
After two weeks, check and tighten any loose hardware and repeat again every six months thereafter.

**IT IS THE USER'S RESPONSIBILITY TO MAINTAIN THE FURNITURE. THE HARDWARE MAY LOOSEN OVER TIME AND MAY CAUSE THE FURNITURE TO BE WOBBLY AND UNABLE TO SUPPORT ITS INTENDED WEIGHT CAPACITY. THIS MAY LEAD TO COLLAPSE AND MAY CAUSE SERIOUS INJURY.**

# TABLE



- Please keep instructions for future reference.
- Check the quantity and irregularity of parts and hardware before you start.



## PARTS

1

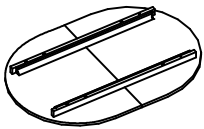


Table Top  
1pc

2

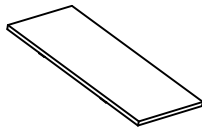
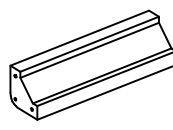


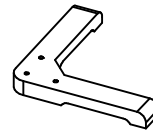
Table Leaf  
1pc

3



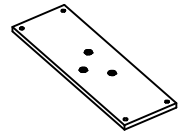
Legs Post  
2pcs

4



Base  
2pcs

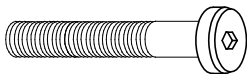
5



Connecting plate (Pce)  
2pcs

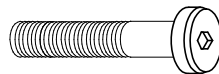
## HARDWARE

A



Bolt  $\text{\O}5/16'' \times 2 \frac{1}{2}''$   
6pcs

B



Bolt  $\text{\O}5/16'' \times 1 \frac{1}{2}''$   
14pcs

C



Lock Washer  $\text{\O}5/16''$   
20pcs

D

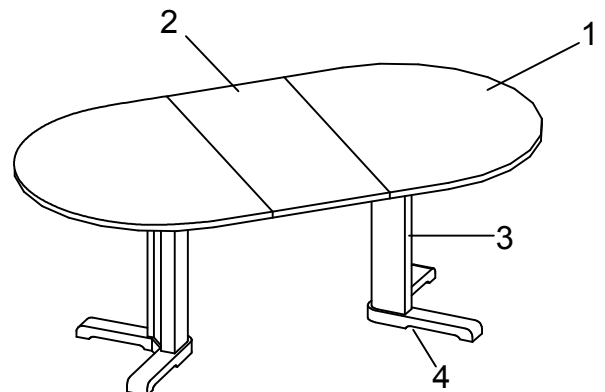


Flat Washer  $\text{\O}5/16''$   
20pcs

E



Allen Wrench  
1pc



# ASSEMBLY INSTRUCTIONS

## 1

Part ③ x 2 pcs

Part ④ x 2 pcs

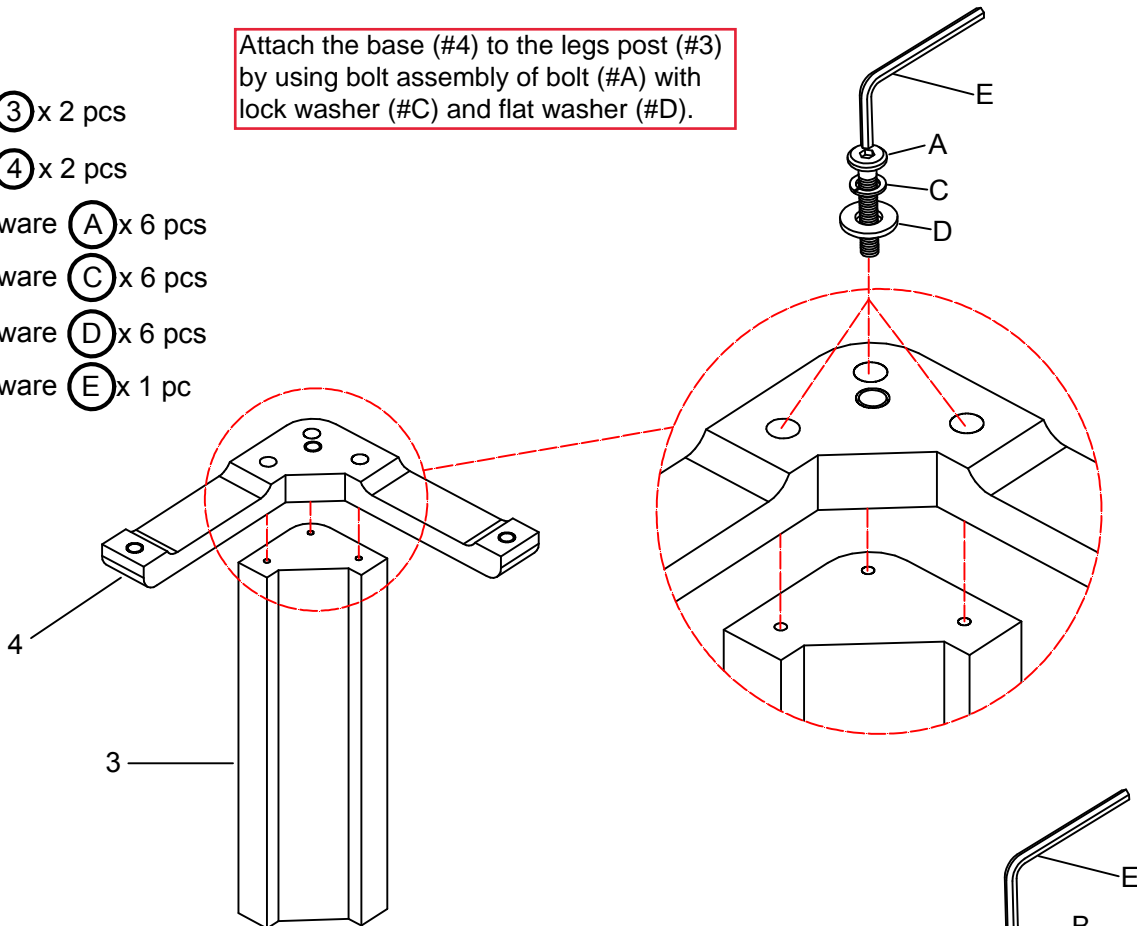
Hardware ① x 6 pcs

Hardware ② x 6 pcs

Hardware ④ x 6 pcs

Hardware ⑤ x 1 pc

Attach the base (#4) to the legs post (#3) by using bolt assembly of bolt (#A) with lock washer (#C) and flat washer (#D).



## 2

Part ③ x 2 pcs

Part ⑤ x 2 pcs

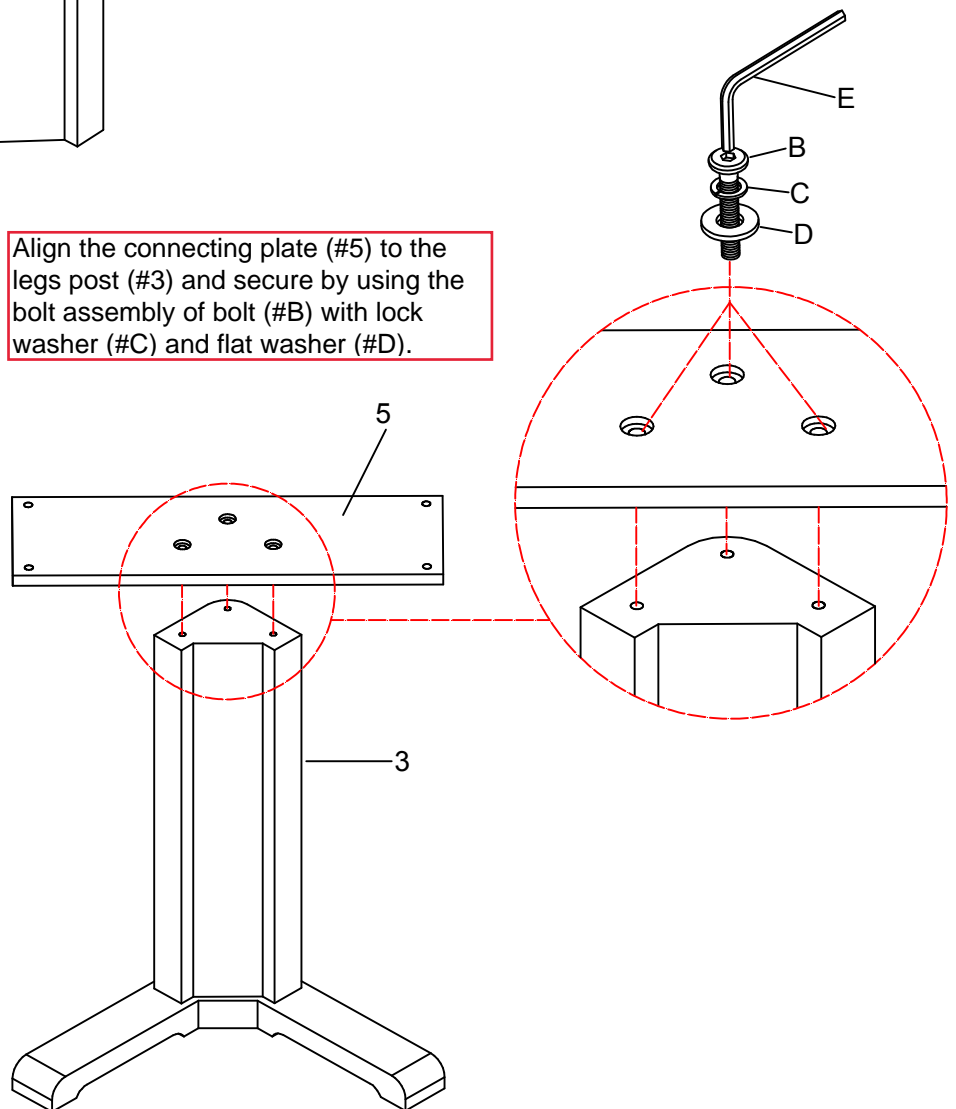
Hardware ⑥ x 6 pcs

Hardware ② x 6 pcs

Hardware ④ x 6 pcs

Hardware ⑤ x 1 pc

Align the connecting plate (#5) to the legs post (#3) and secure by using the bolt assembly of bolt (#B) with lock washer (#C) and flat washer (#D).



# ASSEMBLY INSTRUCTIONS

## 3

Part ① x 1pc

Part ⑤ x 2 pcs

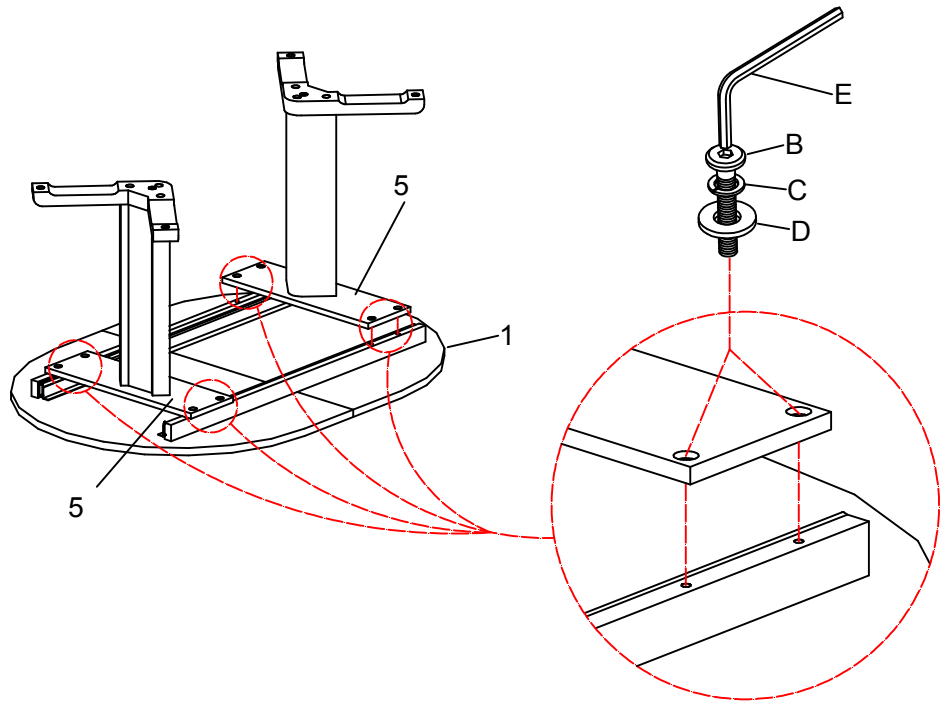
Hardware ② x 8 pcs

Hardware ③ x 8 pcs

Hardware ④ x 8 pcs

Hardware ⑤ x 1 pc

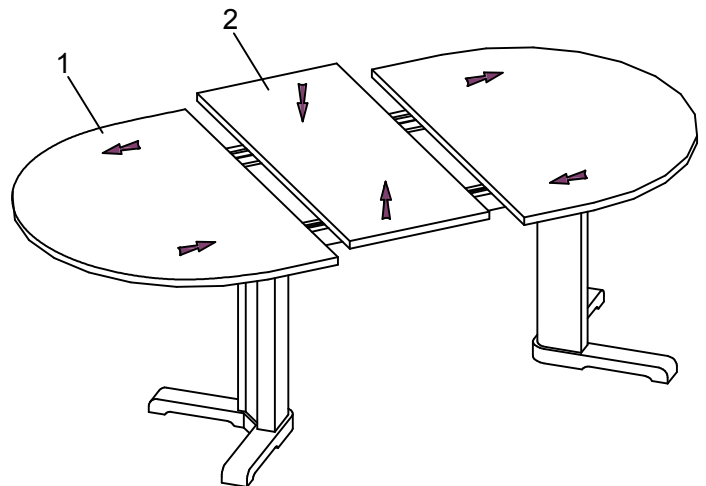
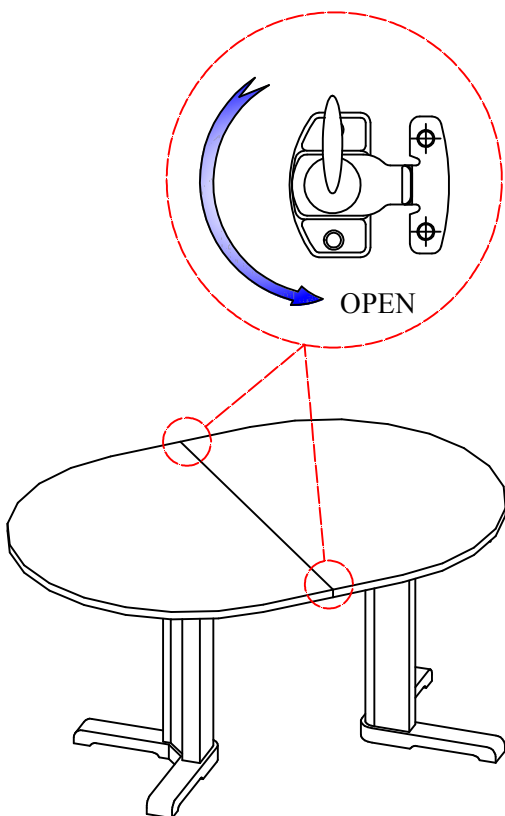
Attach the connecting plates (#5) to the table top (#1) by using bolt assembly of bolt (#B) with lock washer (#C) and flat washer (#D).



## 4

Part ① x 1pc

Part ② x 1pc



For leaf: Unlock the locks underneath the table.  
Pull ends away from each other.  
Insert leaf and push ends inwards.

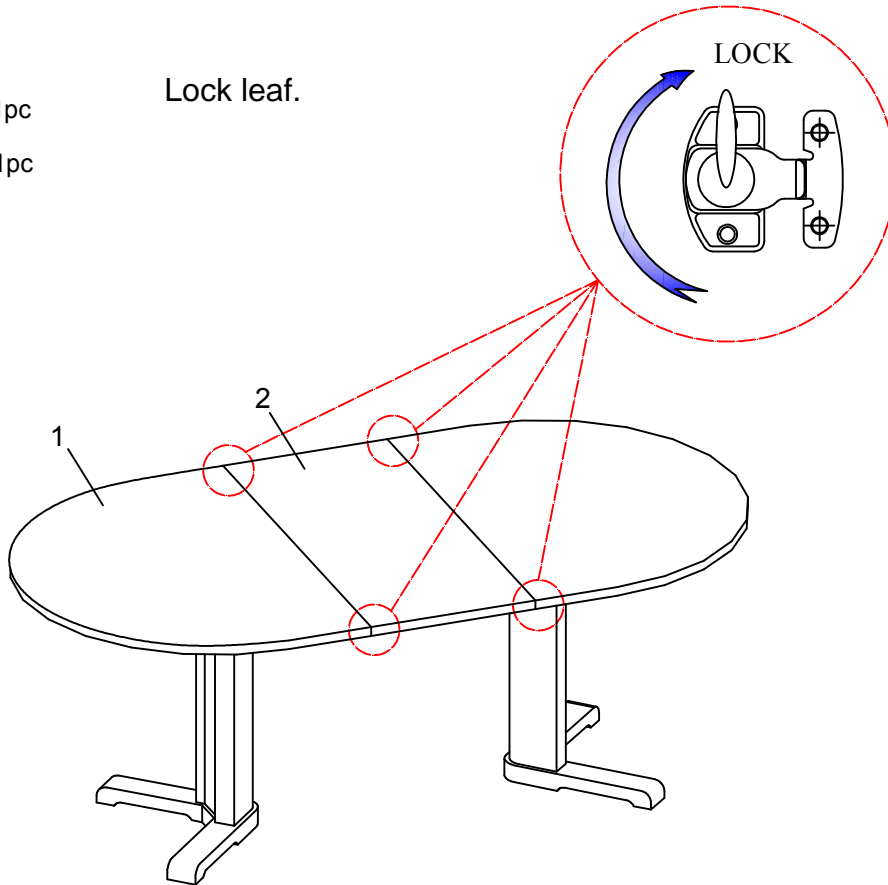
# ASSEMBLY INSTRUCTIONS

## 5

Part ① x 1pc

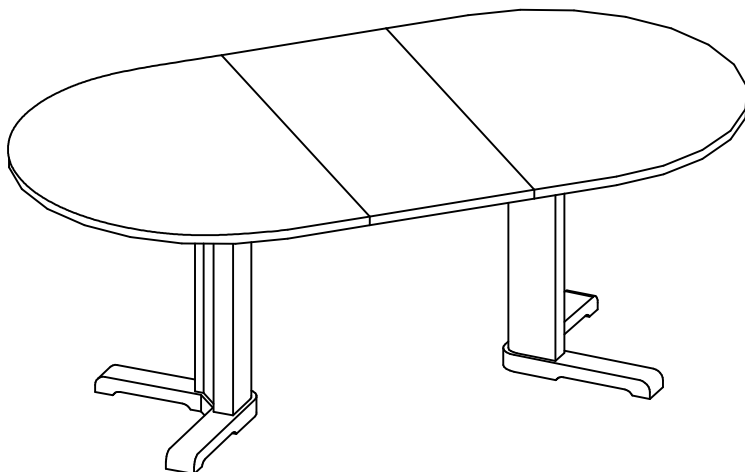
Part ② x 1pc

Lock leaf.



## 6

COMPLETED



**ASSEMBLY  
COMPLETED**



Please ensure the furniture rests on an even and flat surface. If the product wobbles or feels loose, double-check all bolts and/or screws are properly tightened and secured.

**Keep this handy!**

Please retain this instruction manual and any order-related information for future reference.

This product is intended for RESIDENTIAL USE ONLY and not for commercial use.