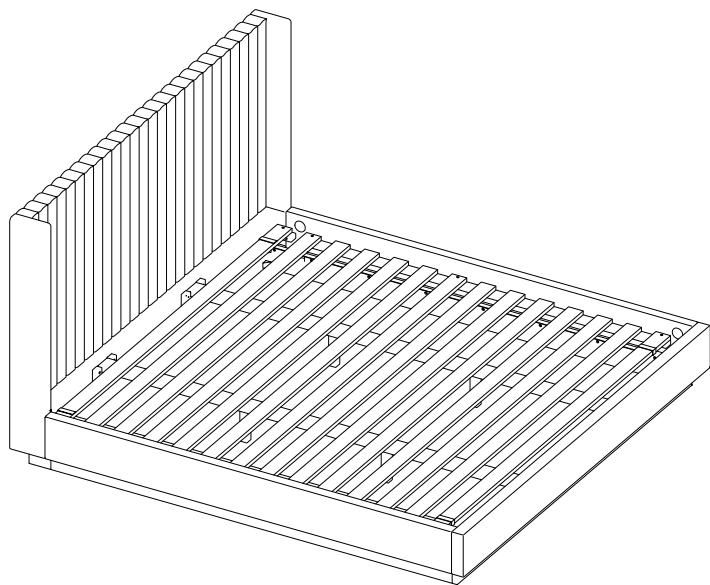


ASSEMBLY INSTRUCTION

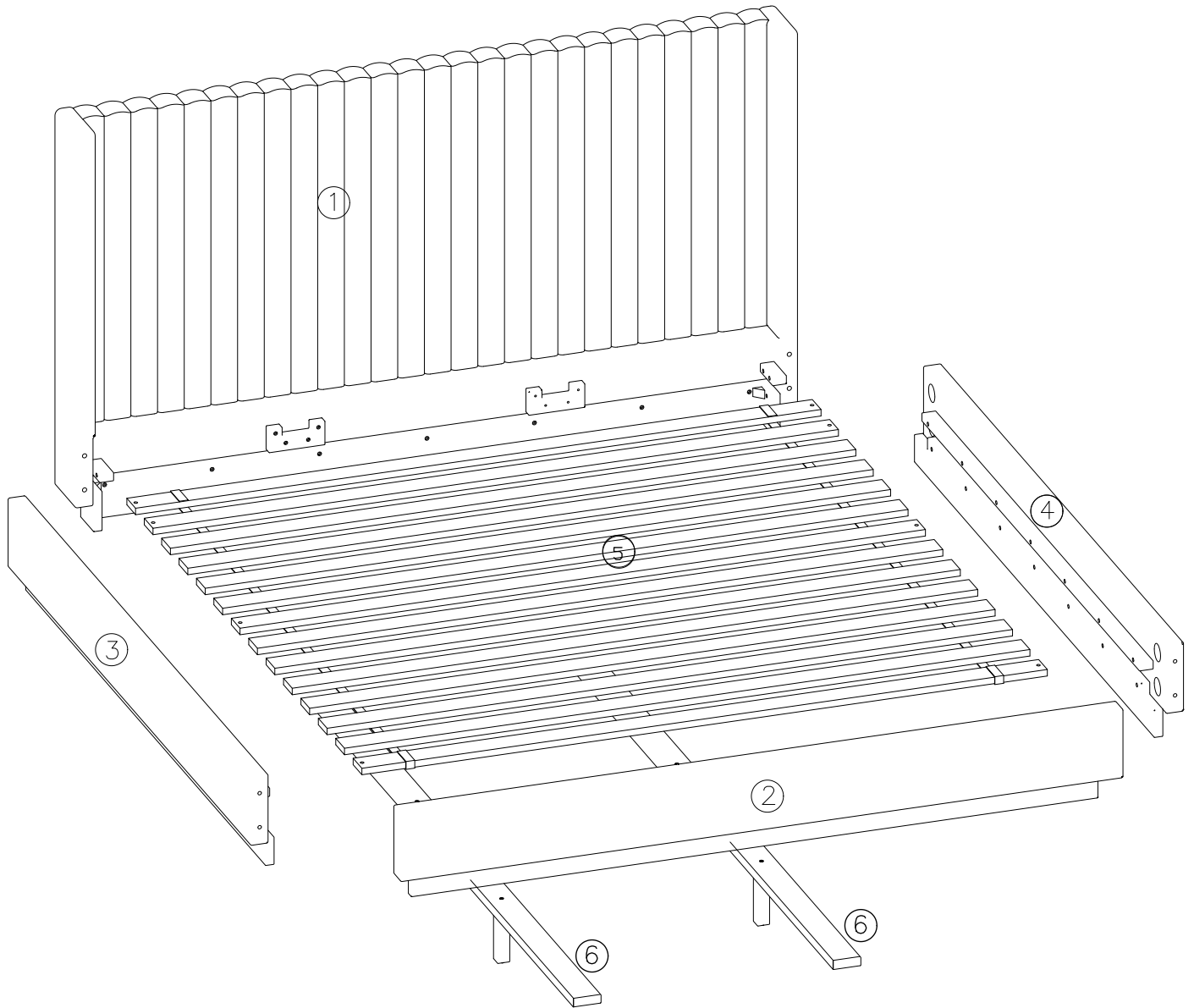
Bed King

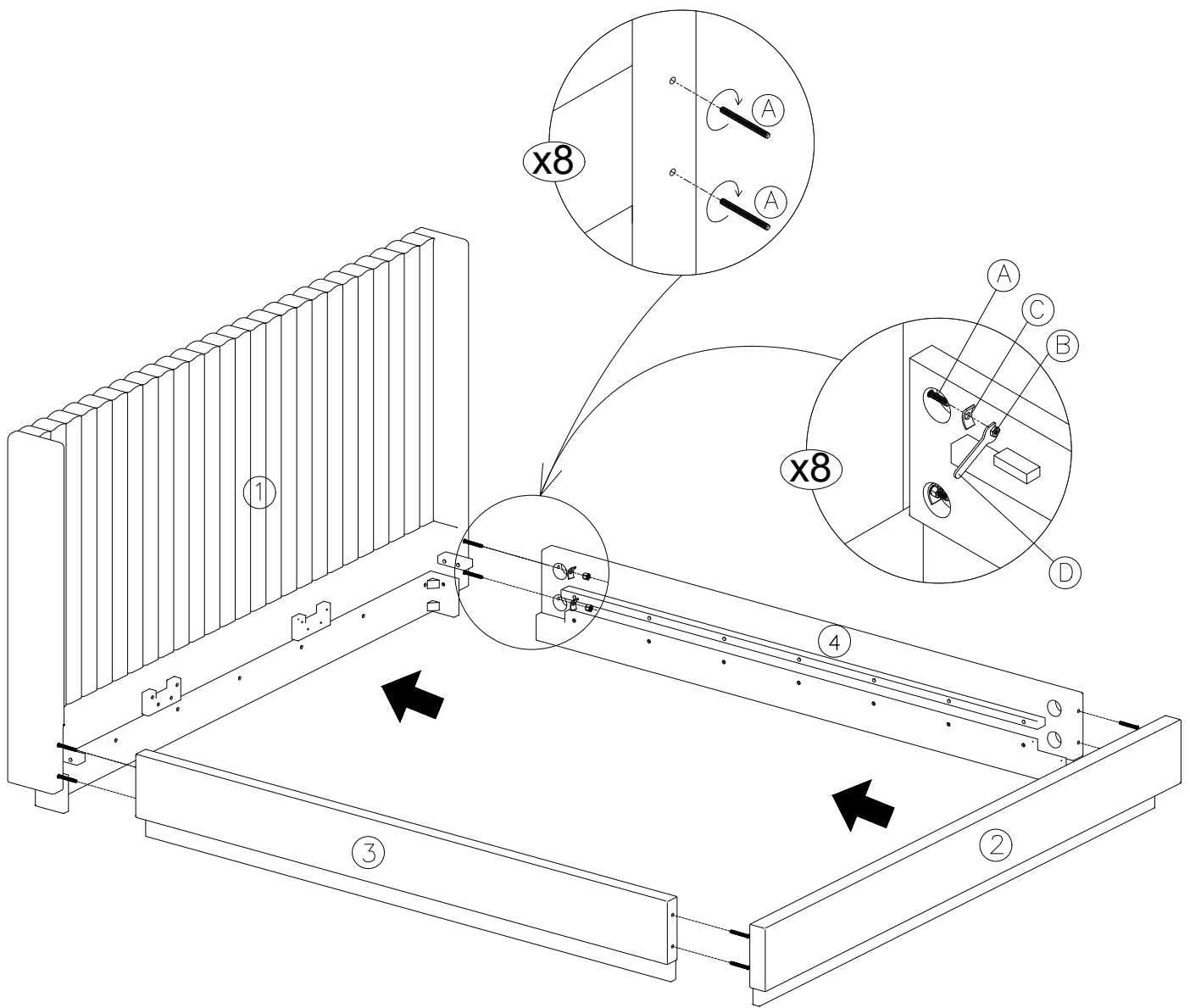


HARDWARE LIST

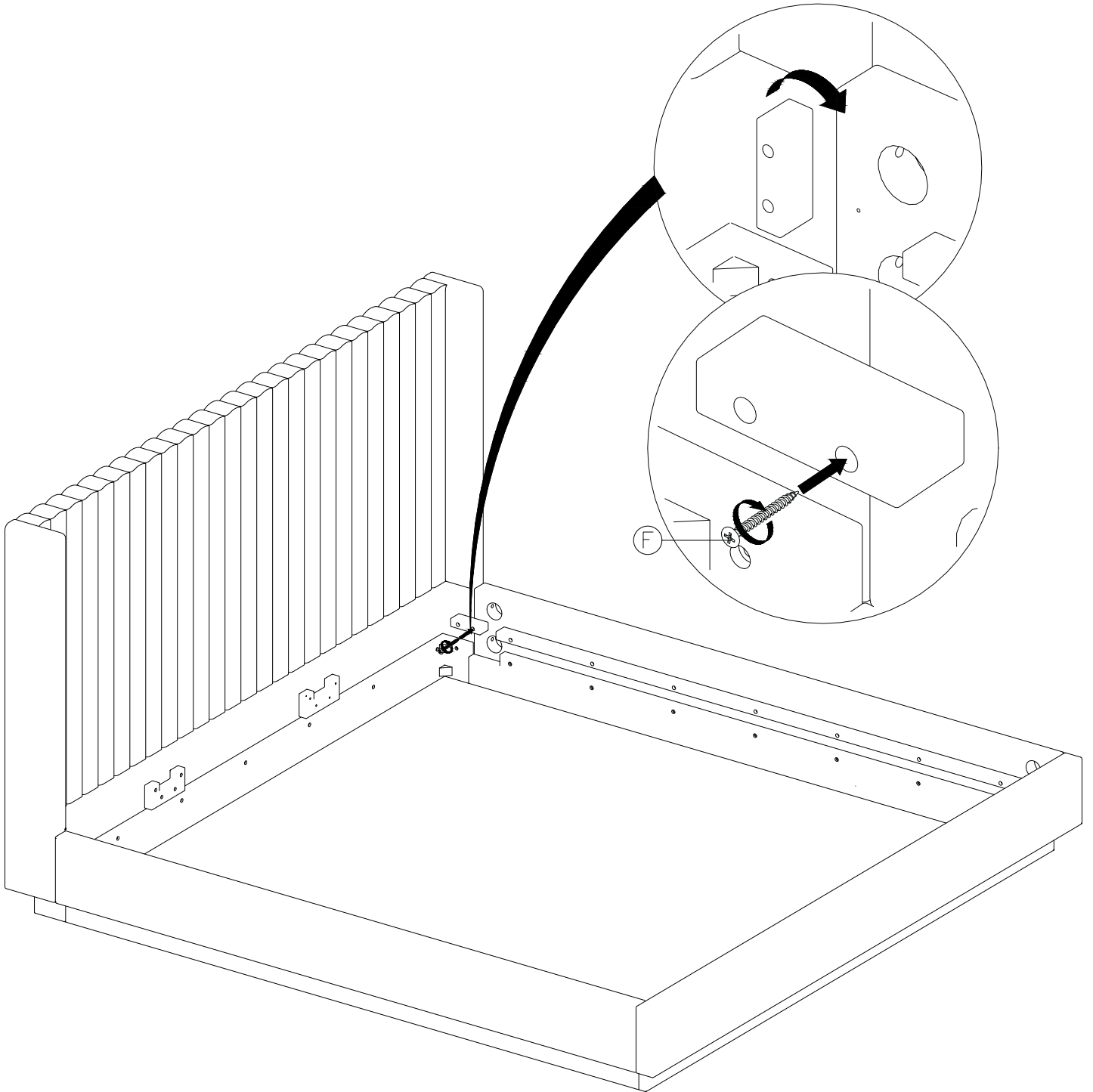
A		BOLT Ø8 x100mm	8
B		HEXAGON NUT M8	8
C		ACR WASHER 15 x30mm	8
D		WRENCH	1
E		WOOD SCREW Ø4 x25mm	8
F		WOOD SCREW Ø5 x50mm	2
G		SIDE COVER	8
H		CENTER LEGS	4

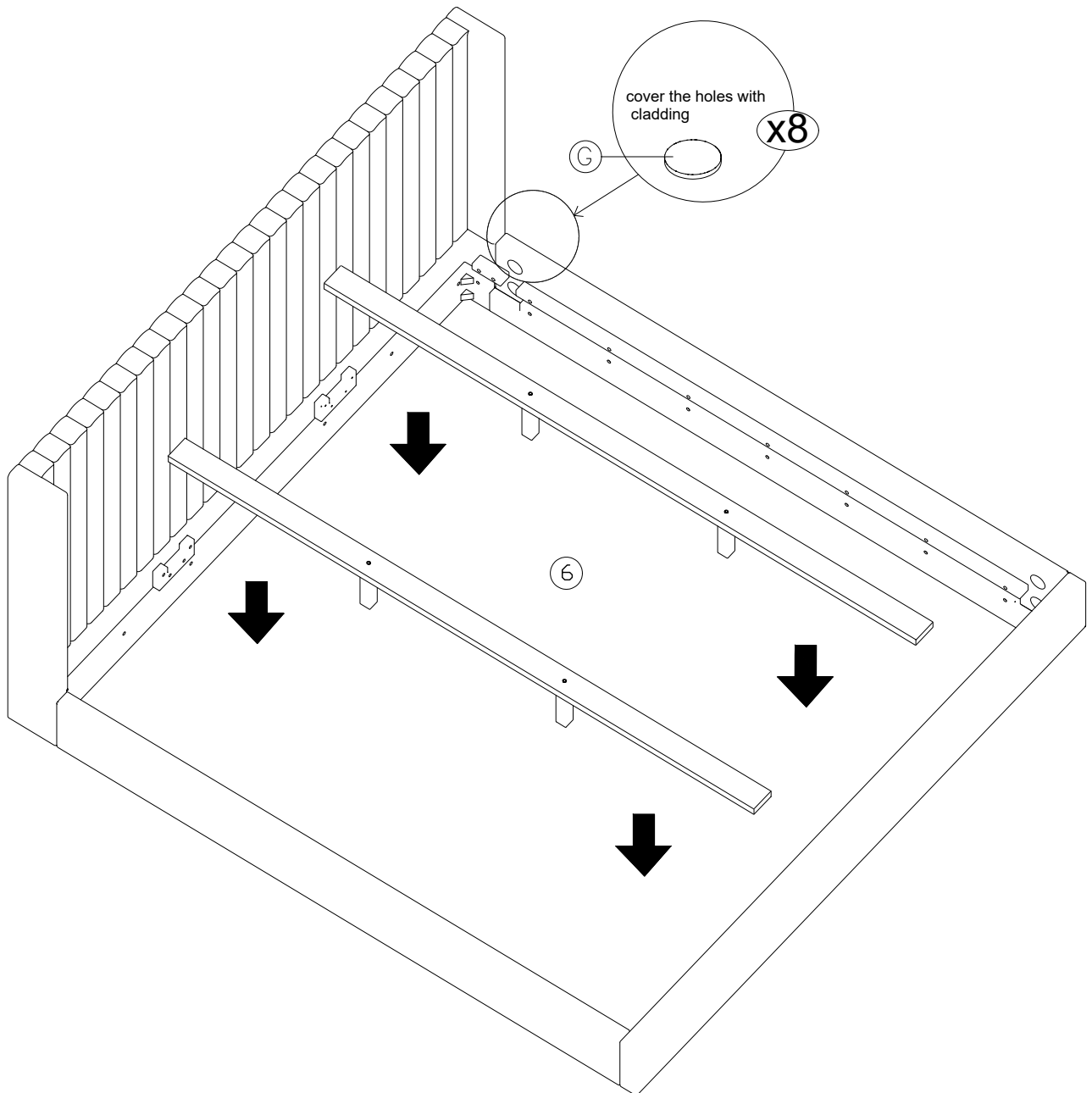
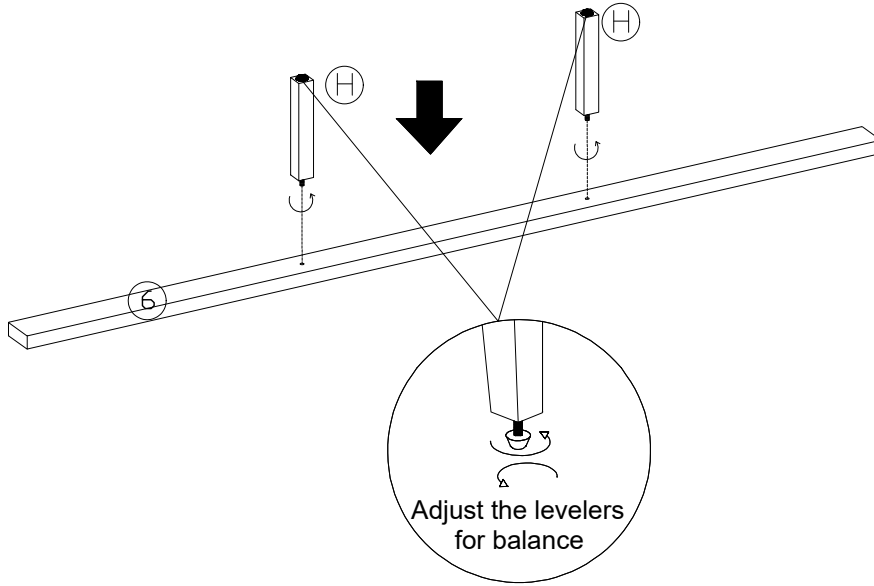
COMPONENTS



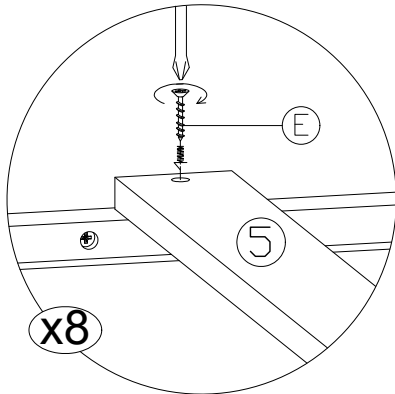
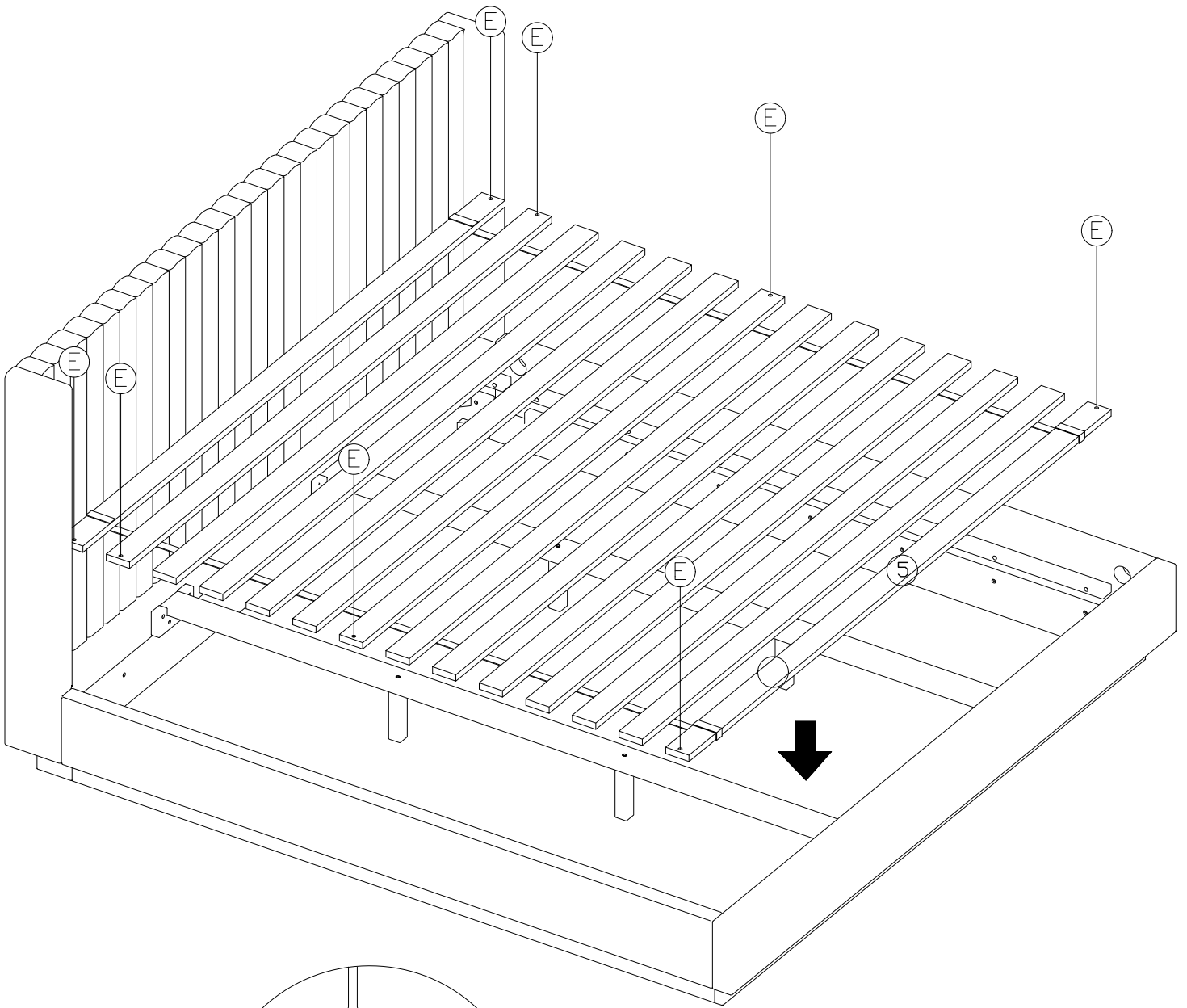


3





5



6

