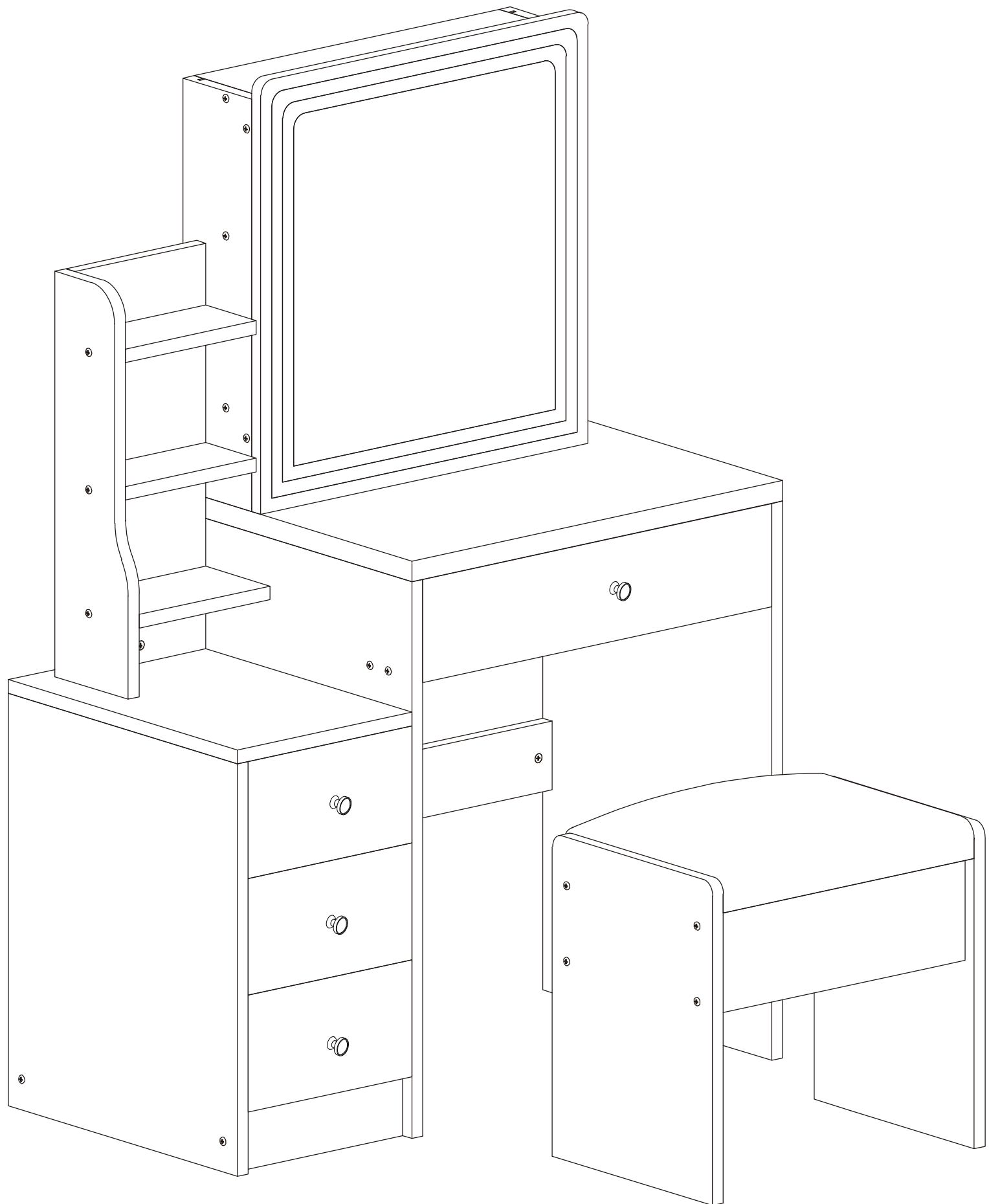


VANITY TABLE

INSTALLATION MANUAL



This is a unified installation manual of 918s (small-sized) vanity table, suitable for three versions: simple, basic, and luxury.

Simple version: without mirror light, built-in socket, and hair dryer bracket, therefore there is no mirror light power plug, built-in socket(K), and hair dryer bracket(L) in the accessories.

Basic version: with mirror light, without built-in socket, hair dryer stand. Therefore, there is no built-in socket(K) and hair dryer stand(L) in the accessories

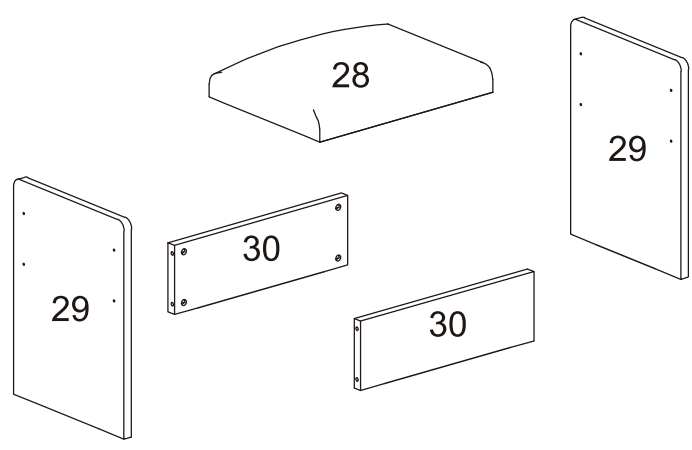
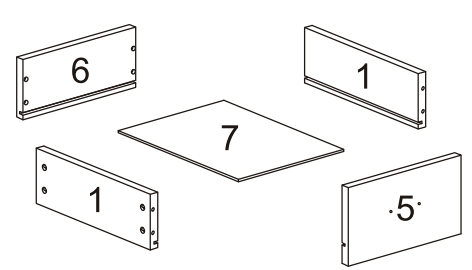
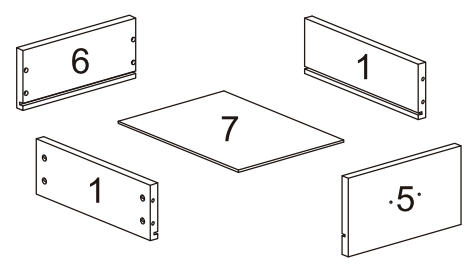
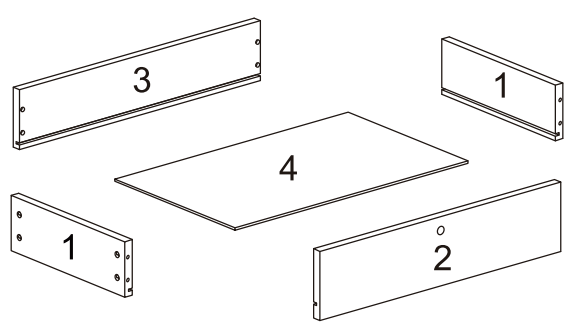
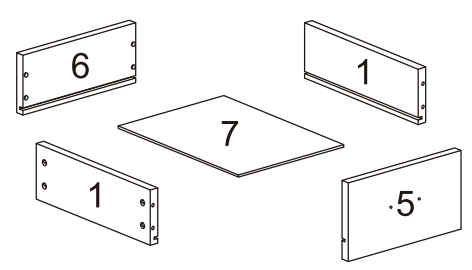
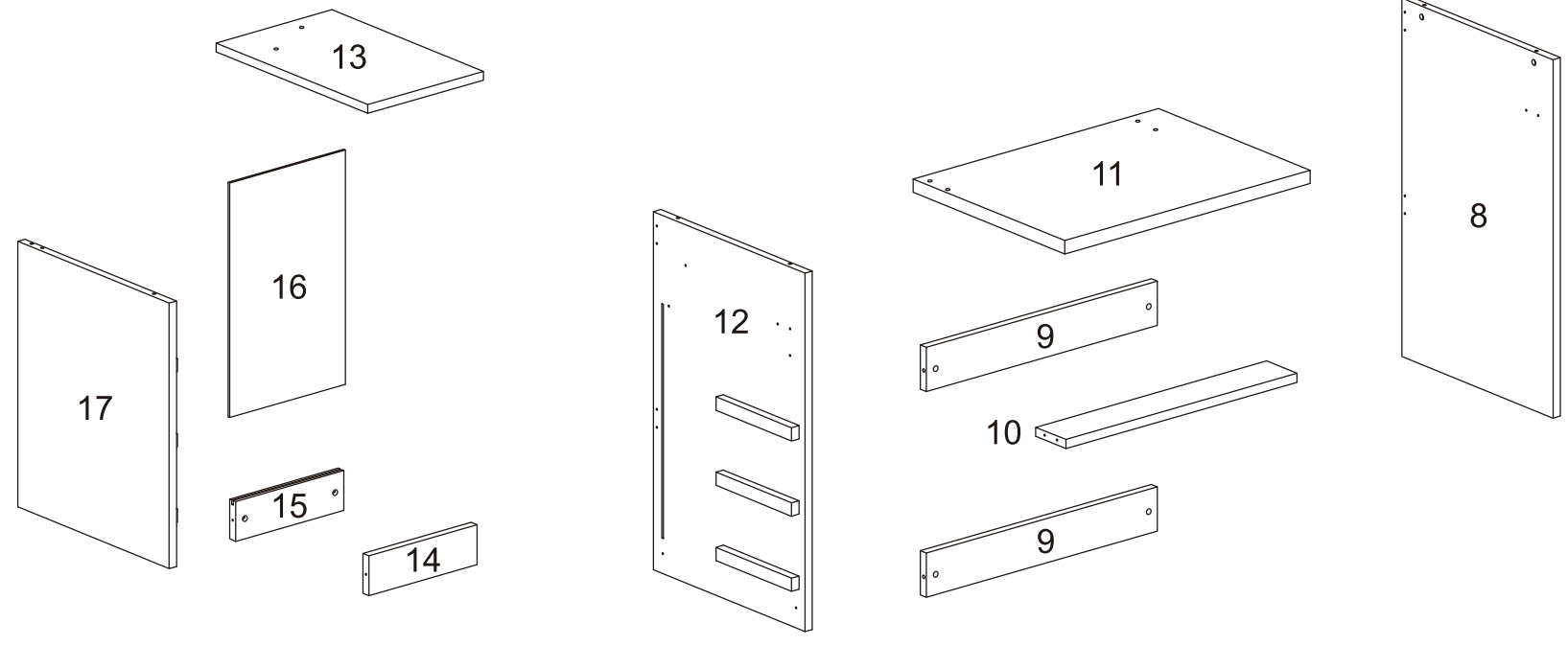
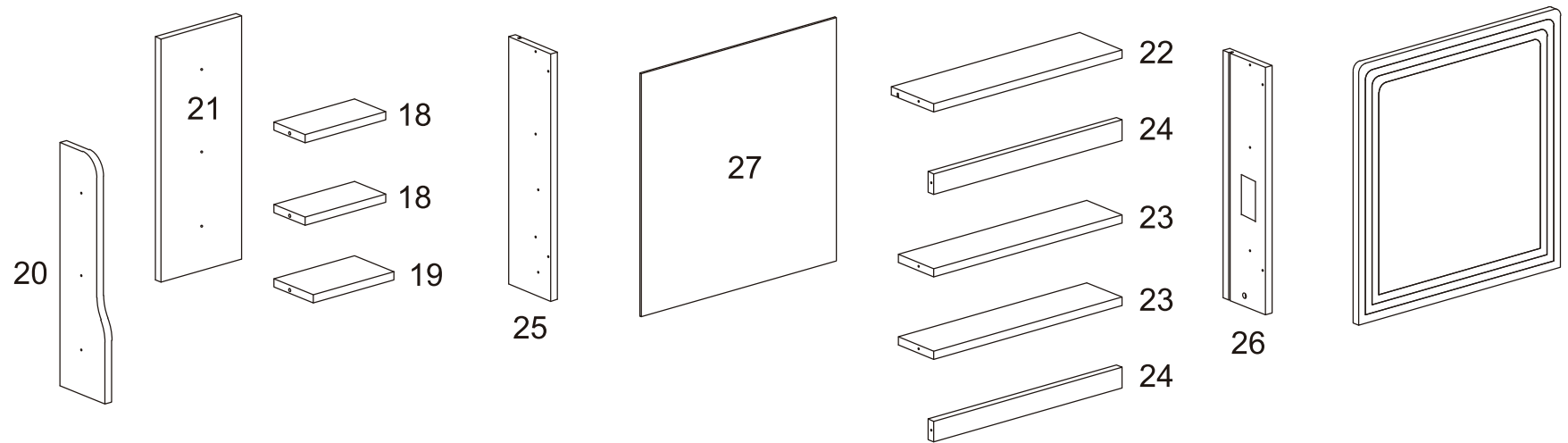
Luxury version: with mirror light, built-in socket, hair dryer stand, therefore, all illustrated accessories are included.

Also note that:

1, Every hole on every board is useful, either a nut needs to be inserted or a screw needs to be inserted, and no hole is redundant.

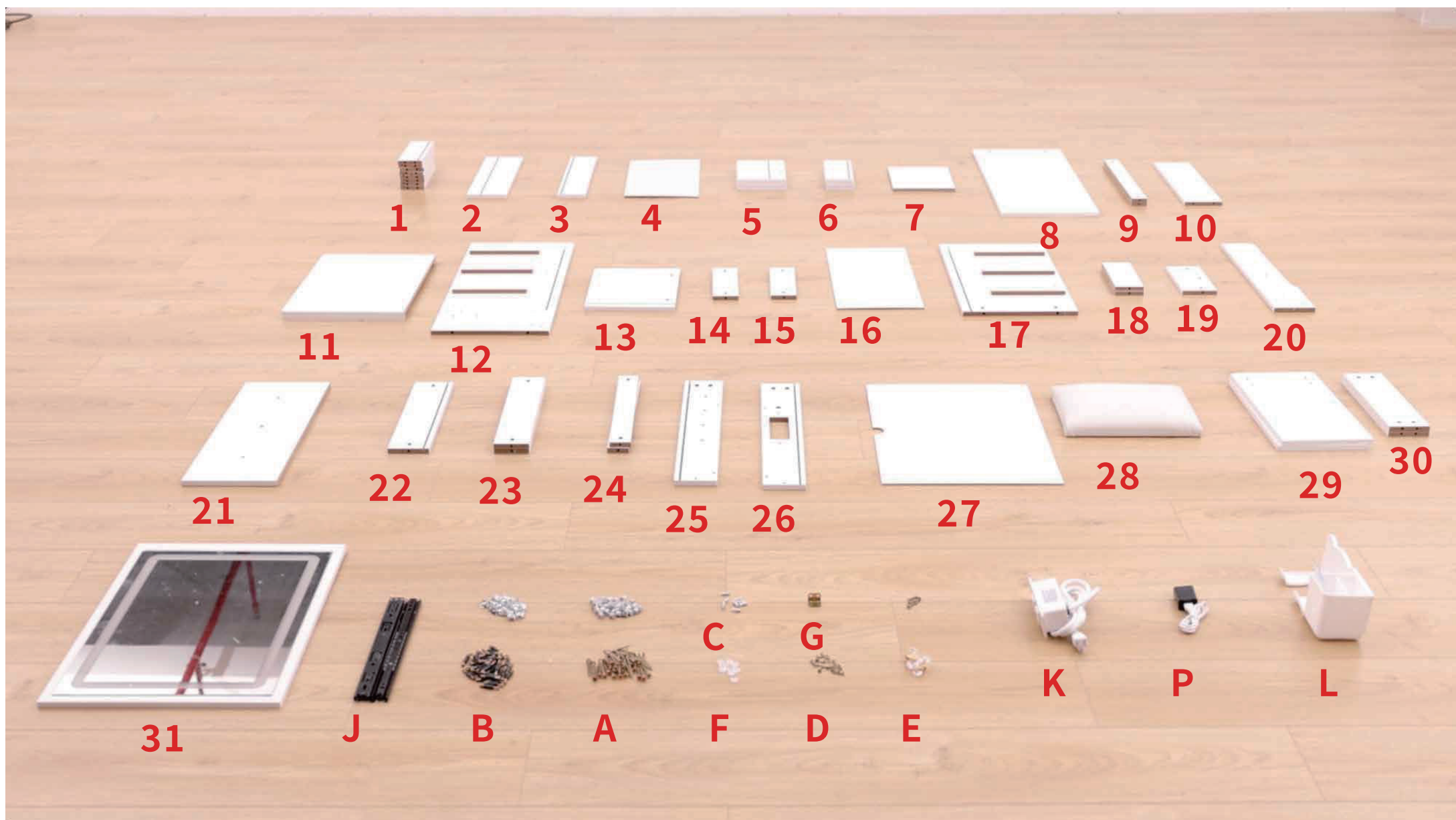
2, There are marked points where the track needs to be fixed. Please use screw D to fix the track at the marked points.

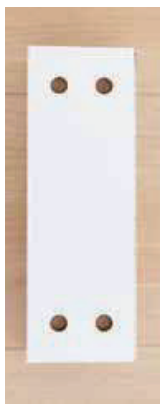
3, Screw C is a drawer positioning pin to prevent the drawer from falling out when opened. Please confirm that all positioning screws C have been installed when the installation is completed.



1 - x8	16 - x1
2 - x1	17 - x1
3 - x1	18 - x2
4 - x1	19 - x1
5 - x3	20 - x1
6 - x3	21 - x1
7 - x3	22 - x1
8 - x1	23 - x2
9 - x2	24 - x2
10 - x1	25 - x1
11 - x1	26 - x1
12 - x1	27 - x1
13 - x1	28 - x1
14 - x1	29 - x2
15 - x1	30 - x2

Before installation, please find a marker pen with erasable marks, distinguish each accessory based on the shape of the board and the position of the holes, and then write the corresponding number on the board.





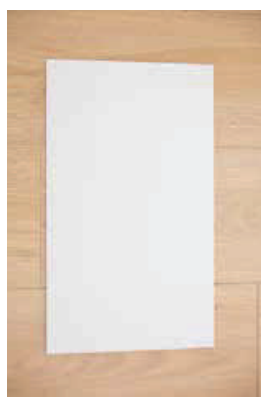
1 -x8



2 -x1



3 -x1



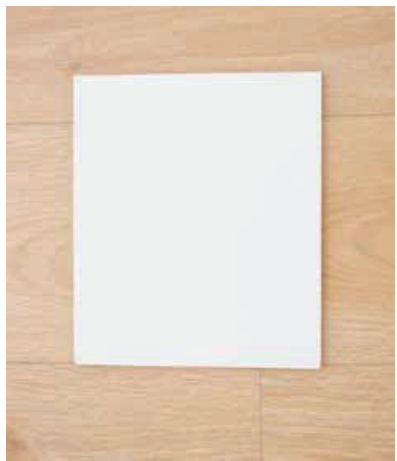
4 -x1



5 -x3



6 -x3



7 -x3



8 -x1



9 -x2



10 -x1



11 -x1



12 -x1



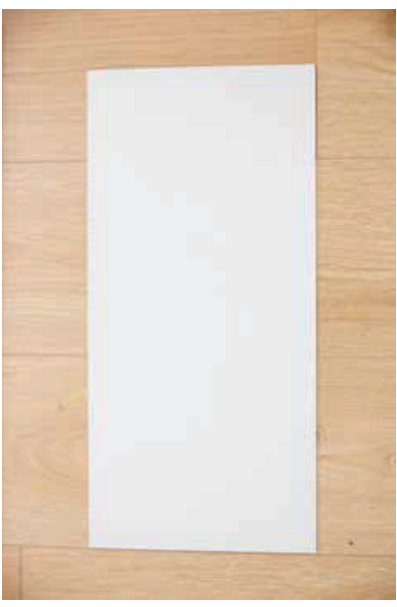
13 -x1



14 -x1



15 -x1



16 -x1



17 -x1



18 -x2



19 -x1



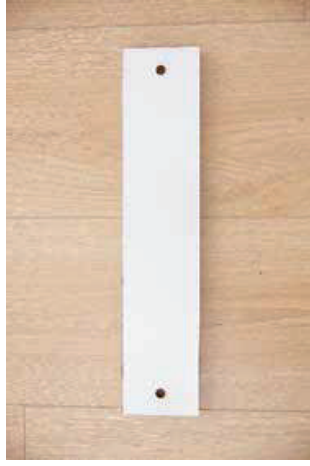
20 -x1



21 -x1



22 -x1



23 -x2



24 -x2

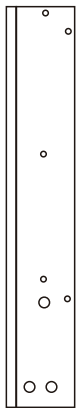


25 -x1



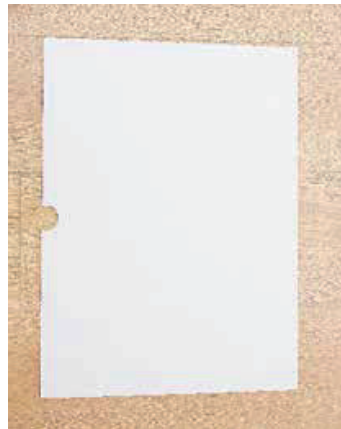
luxury

or



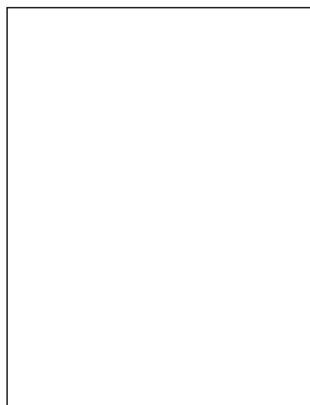
basic and simple

26 -x1



luxury

or



basic and simple

27 -x1



28 -x1



29 -x2



30 -x2



31 -x1

HARDWARE



A	SCREW & PLASTIC LOCK	x46
---	----------------------	-----



B	SCREW & METAL LOCK	x46
---	--------------------	-----



C	SCREW	x8
---	-------	----



D	SCREW	x16
---	-------	-----



E	HANDLE	x4
---	--------	----



G	L PLATE	x2
---	---------	----



J	RAIL	x2
---	------	----



K	SOCKET	x1
---	--------	----

only for luxury

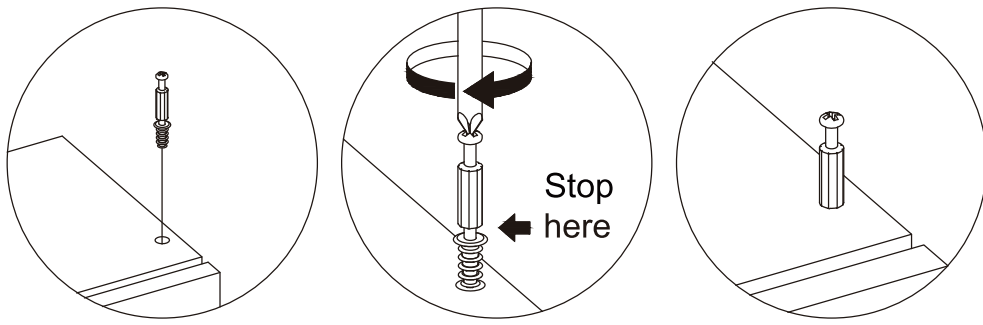


L	HAIR DRYER BRACKET	x1
---	--------------------	----

only for luxury

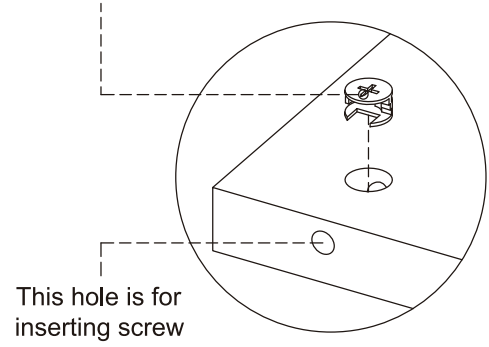
1. Screw installation method

When the screw is installed, please keep it in line with the board, and do not tighten it too tightly

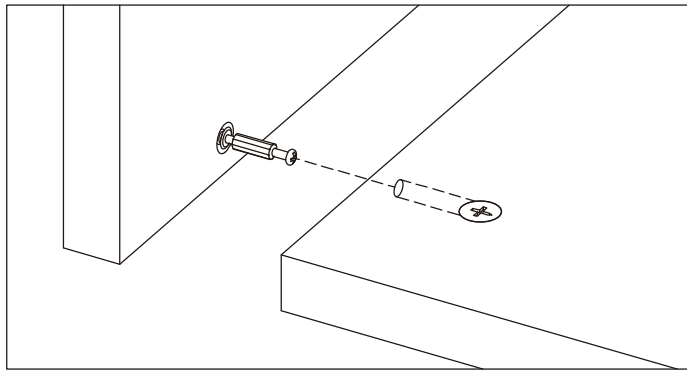


2. Check the Nut direction

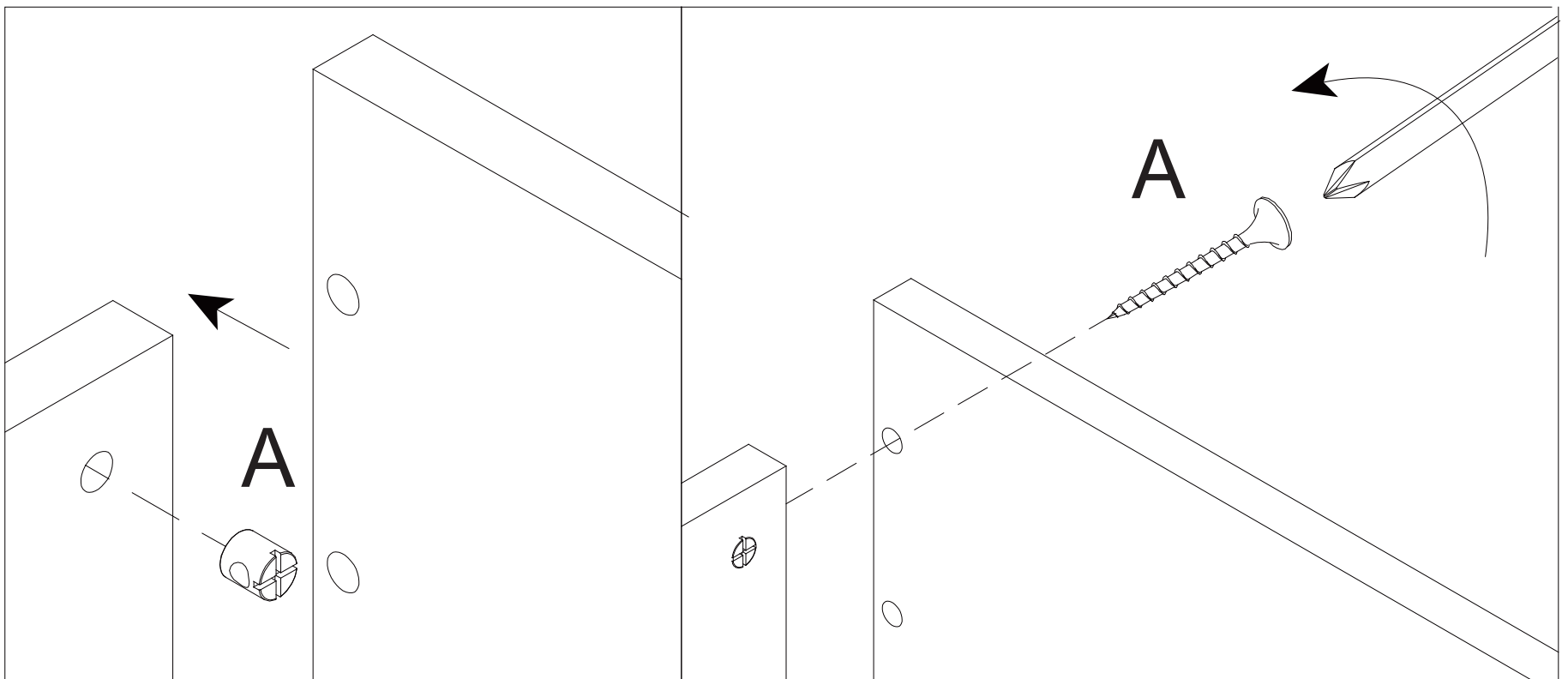
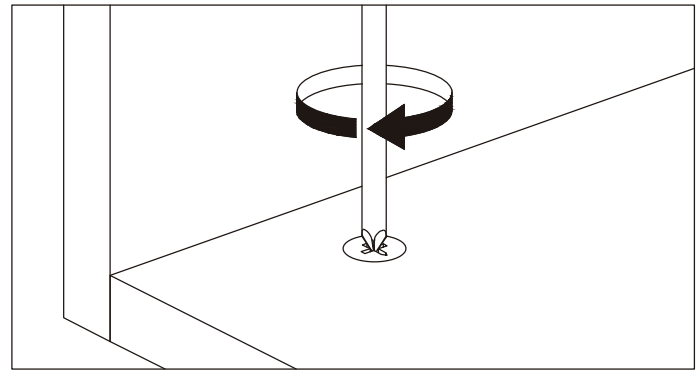
This direction of the marked nut is consistent with the direction in which the screw is inserted



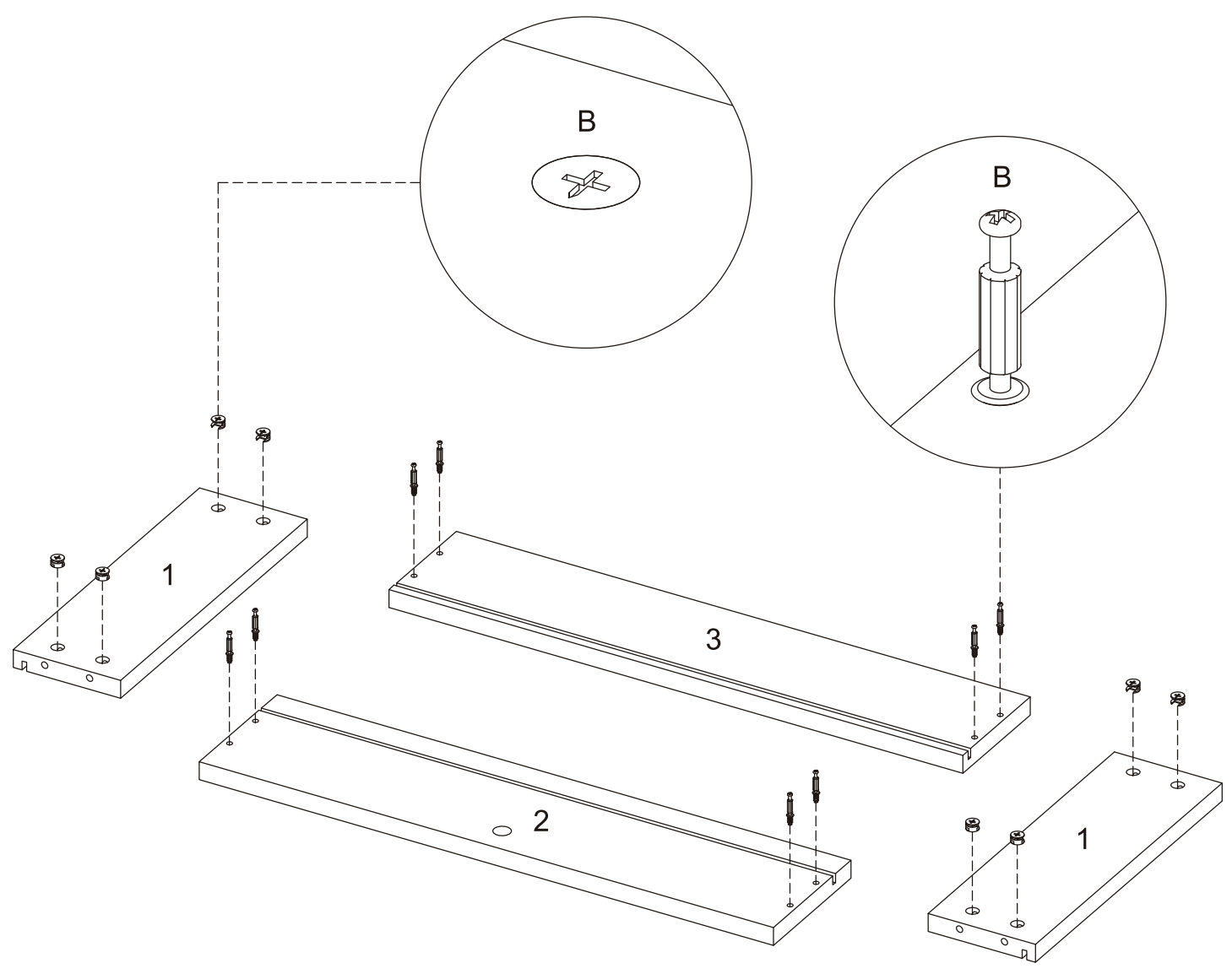
3. Installation on the board with fixing screws



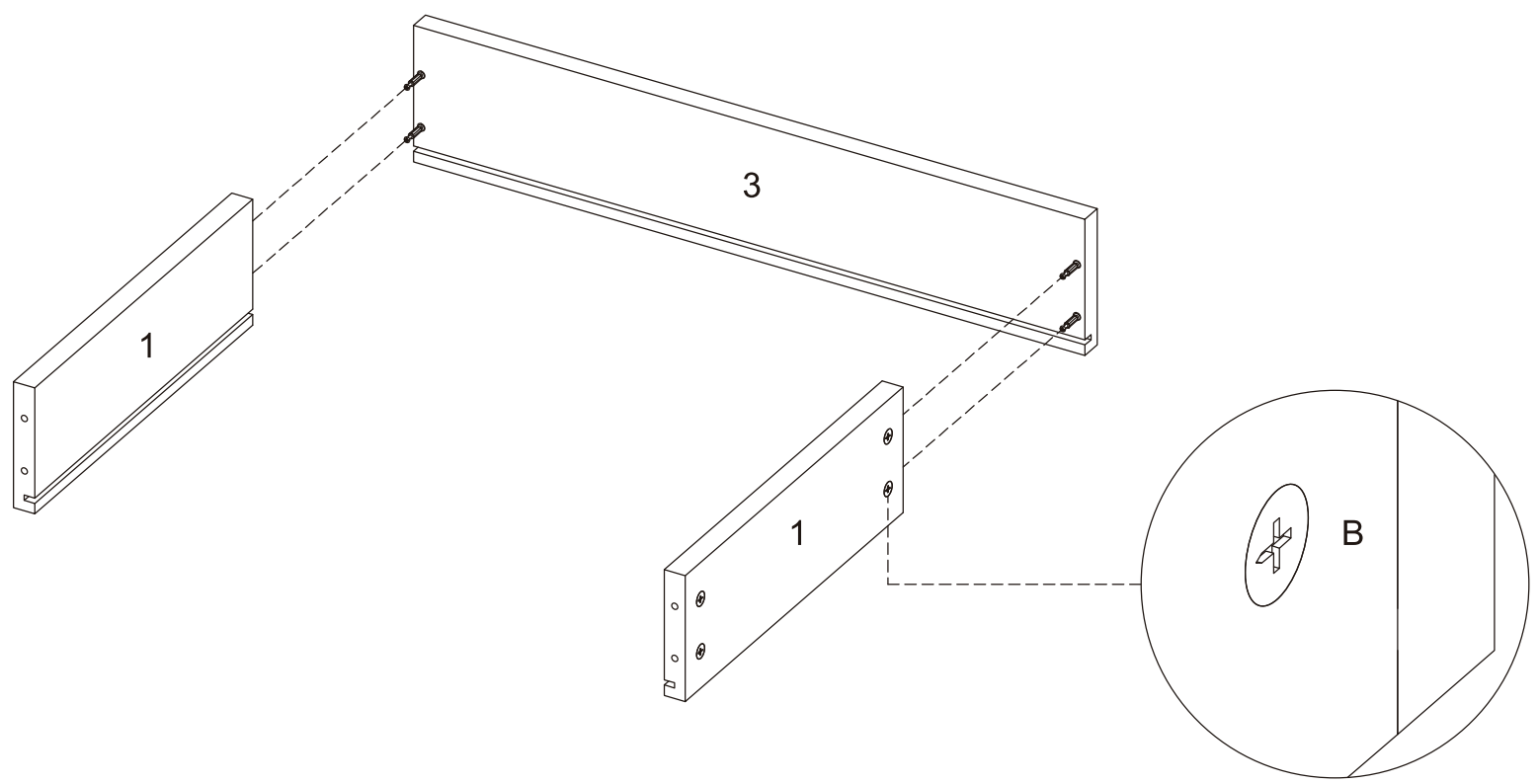
3. Rotate slowly until it stops



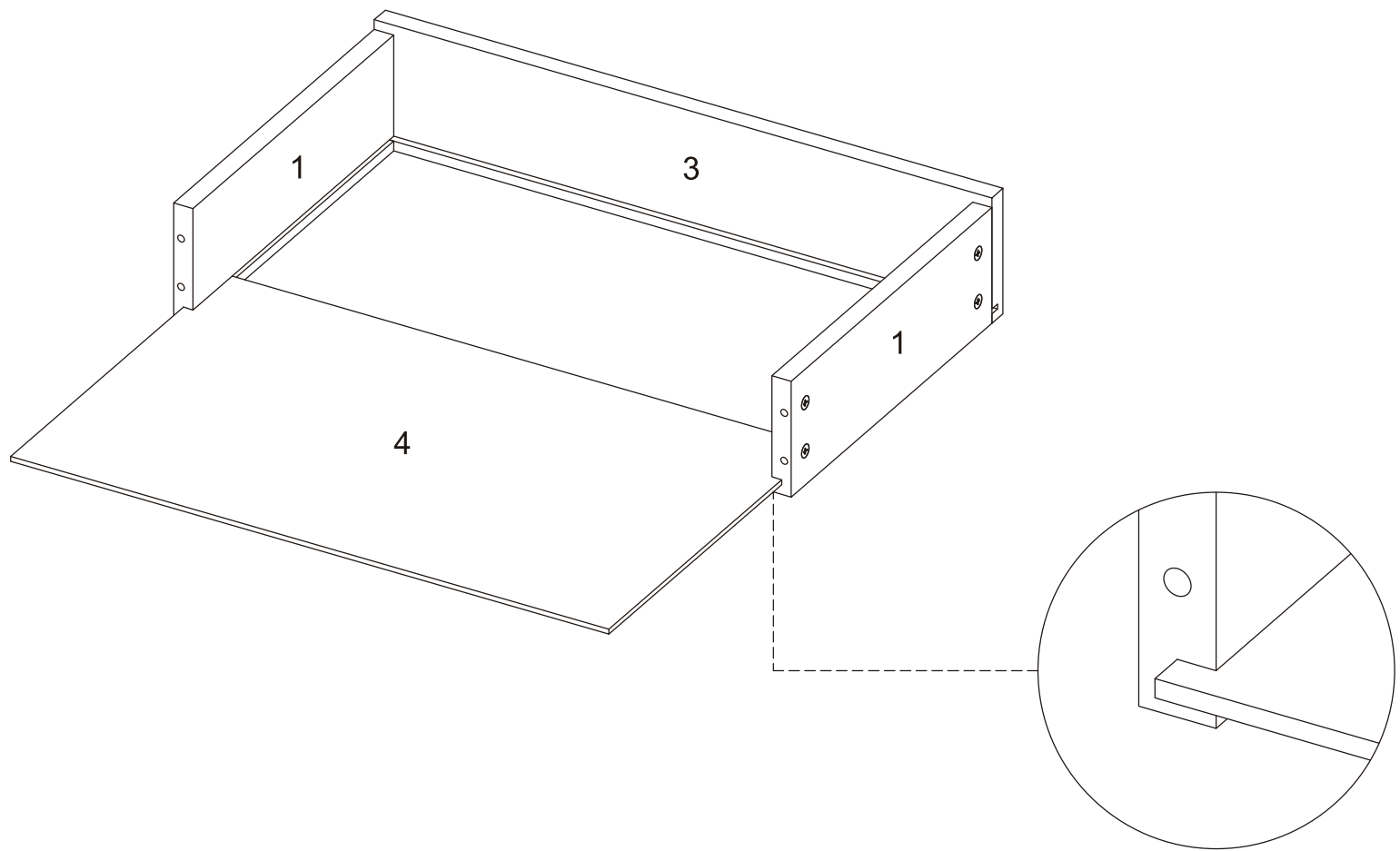
Step 01 pick up ①x2, ②x1, ③x1, ④x1



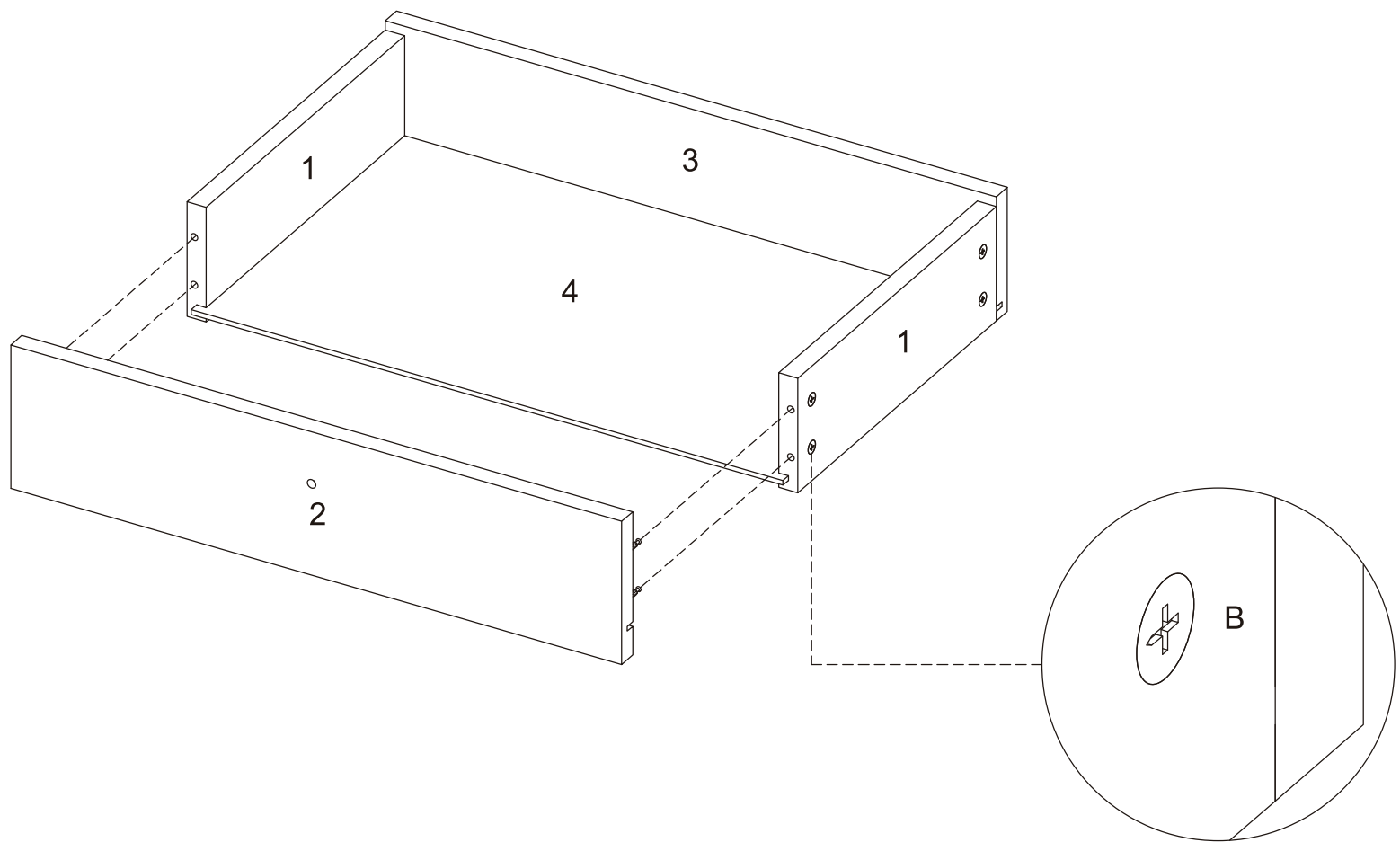
Step 02



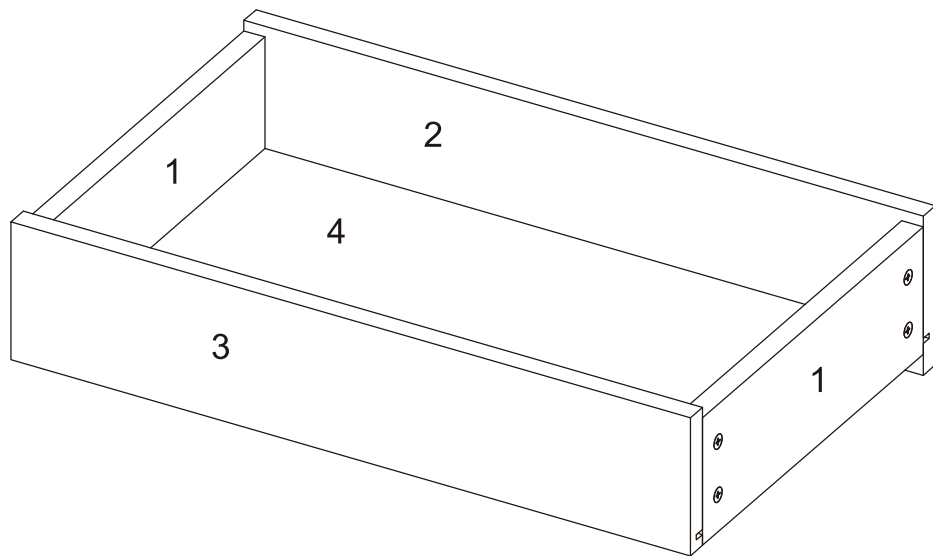
Step 03



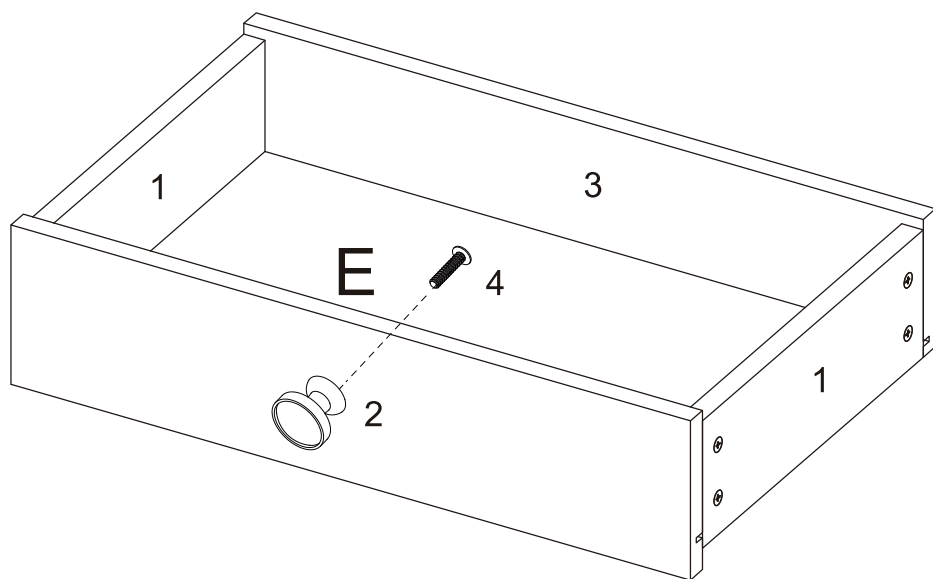
Step 04



Step 05

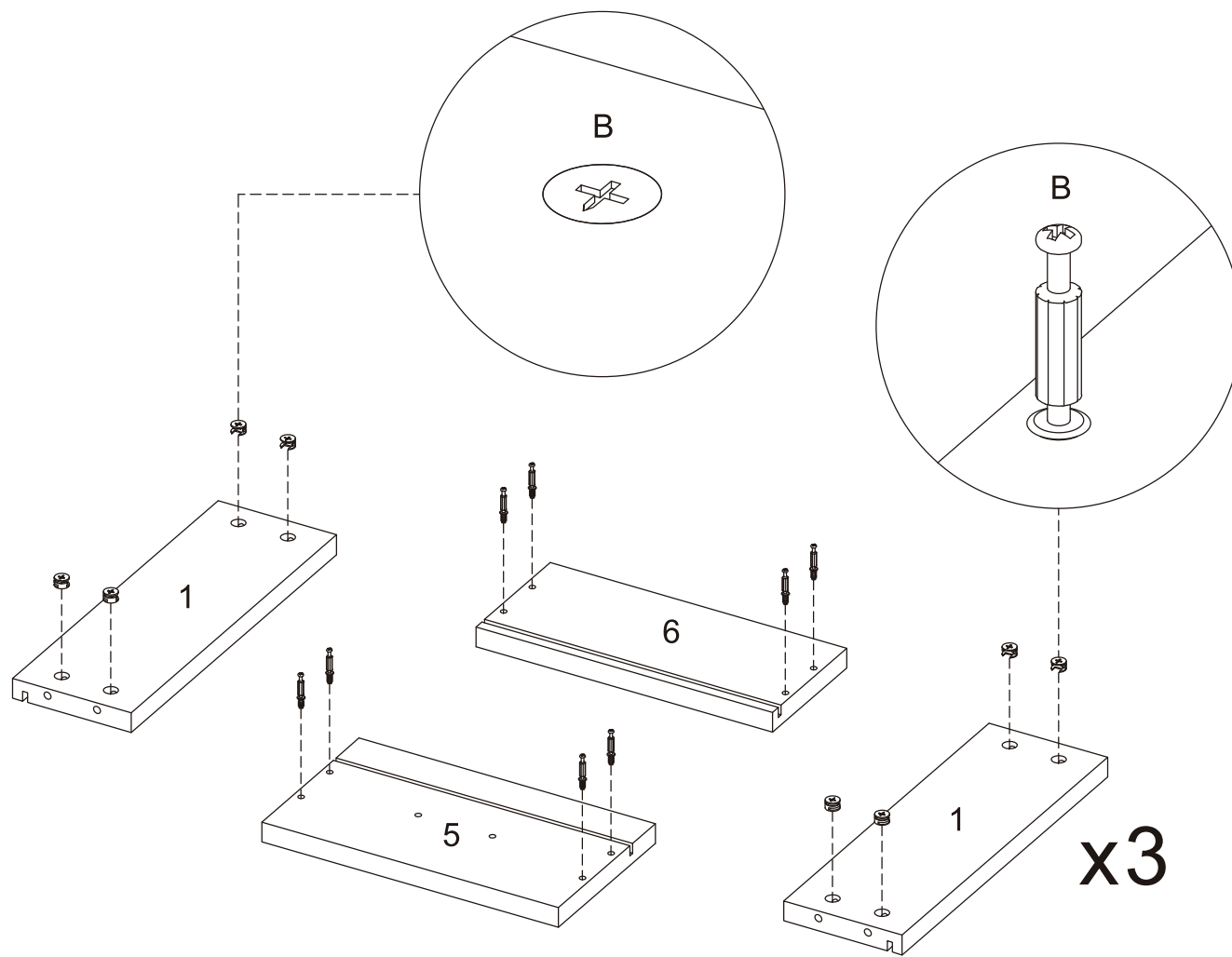


Step 06

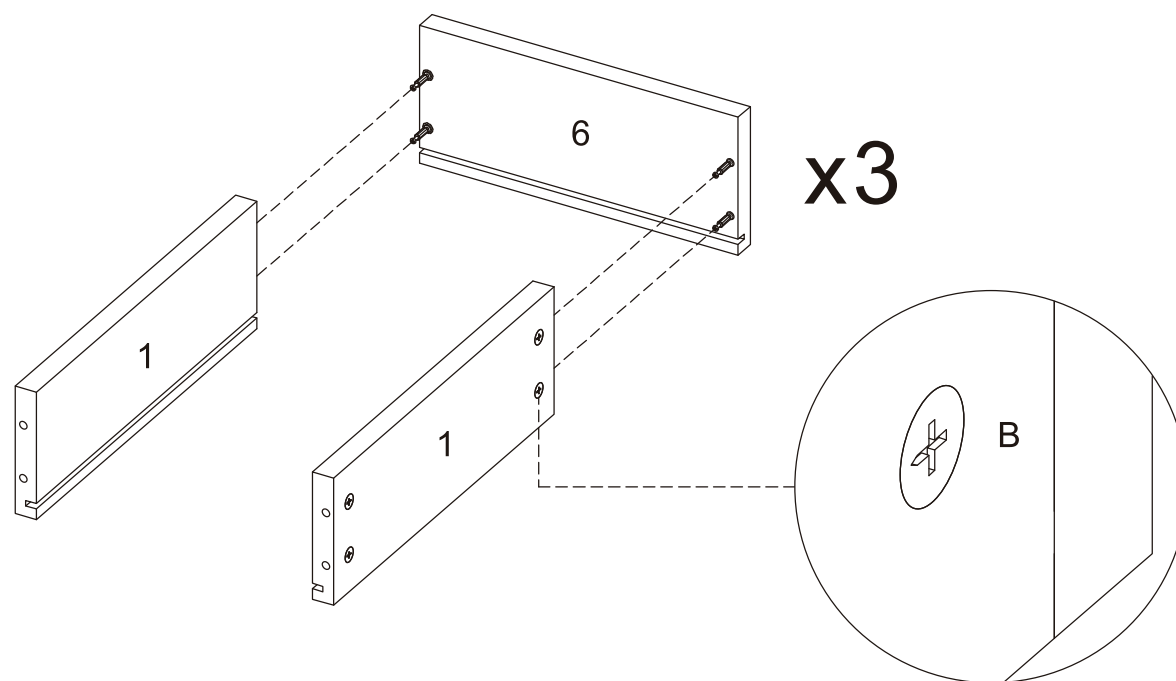


Step 07

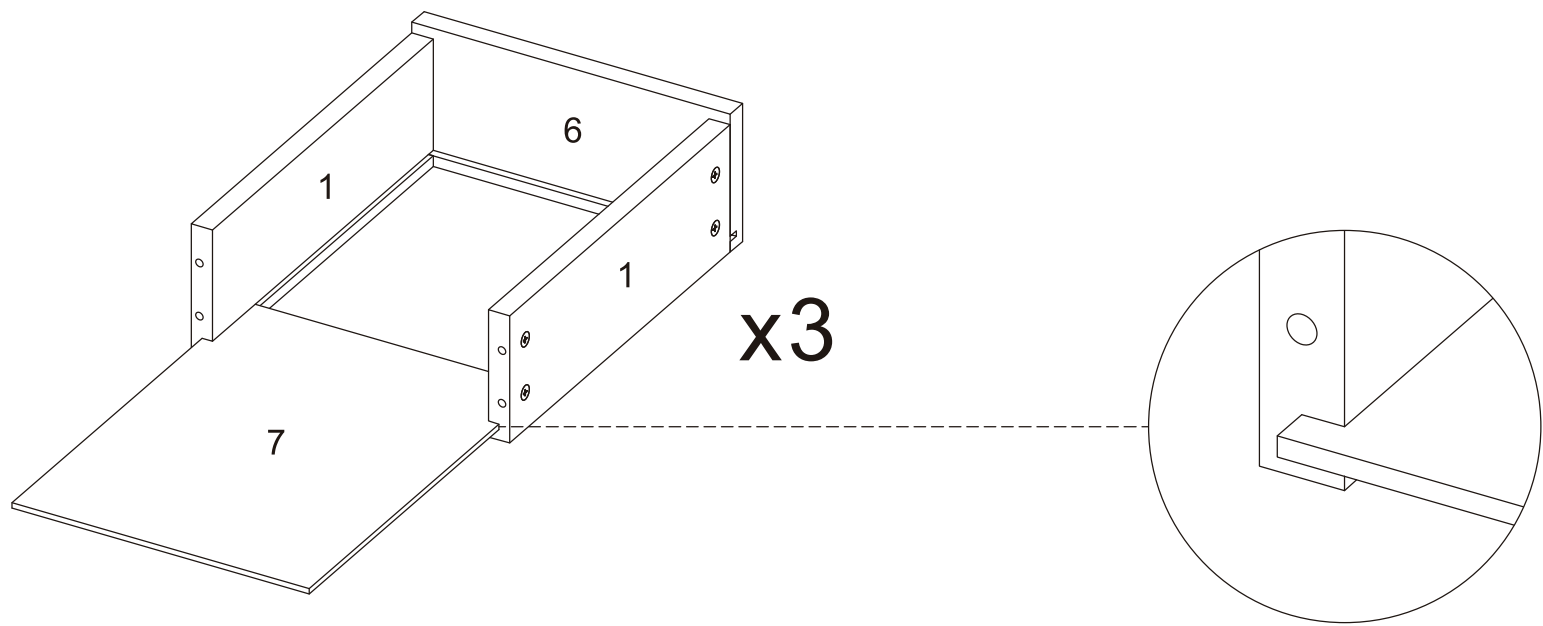
pick up ①x6, ⑤x3, ⑥x3, ⑦x3



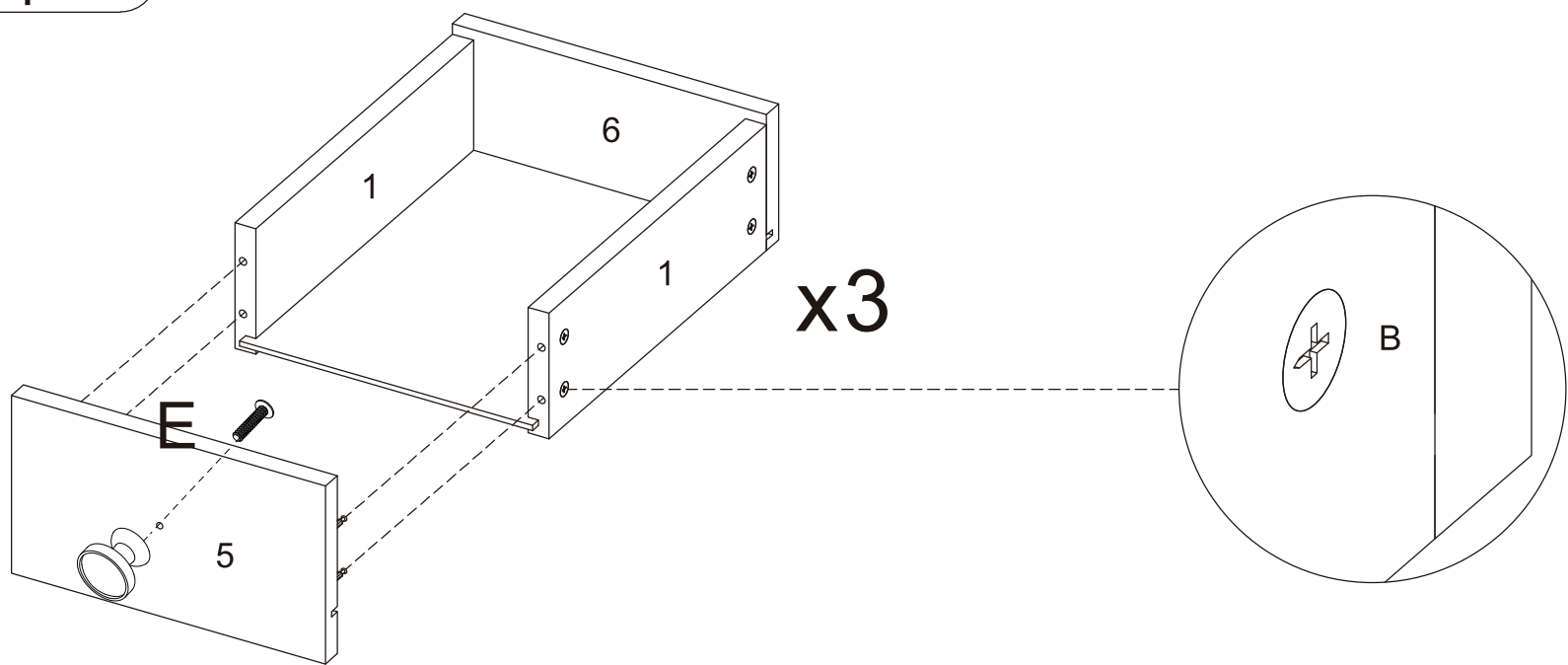
Step 08



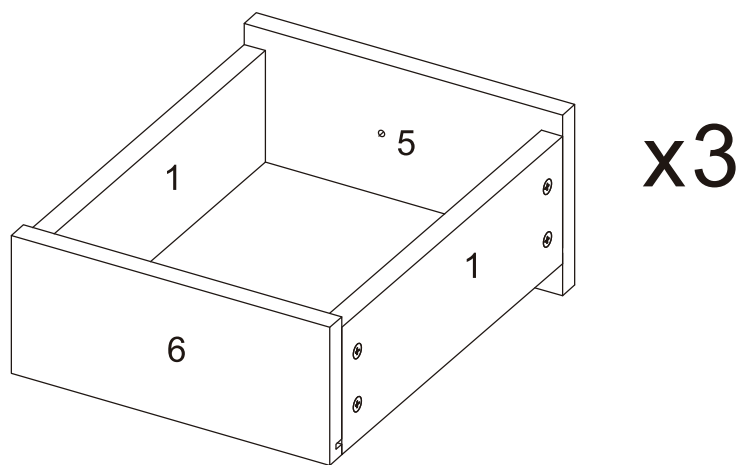
Step 09



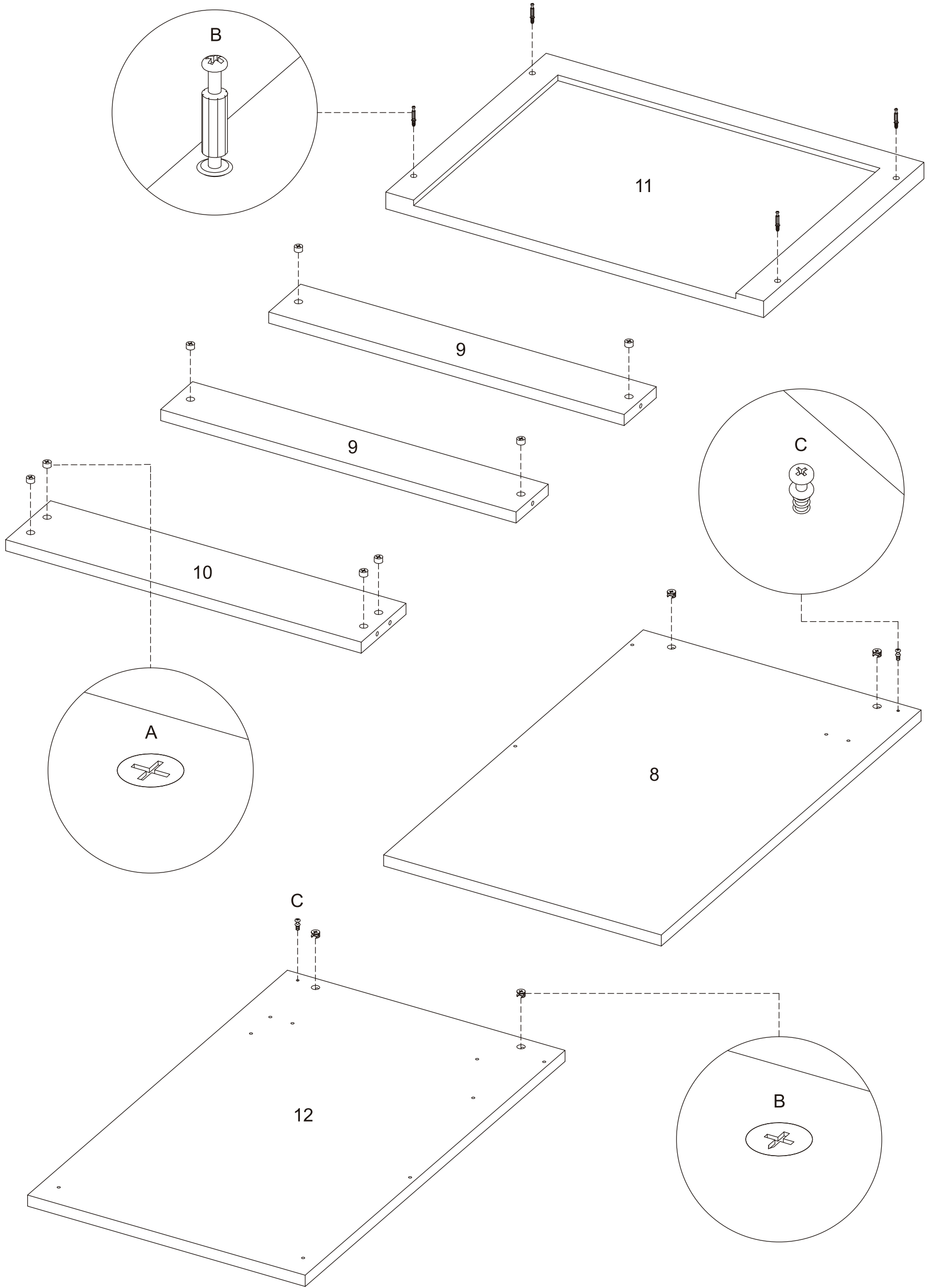
Step 10



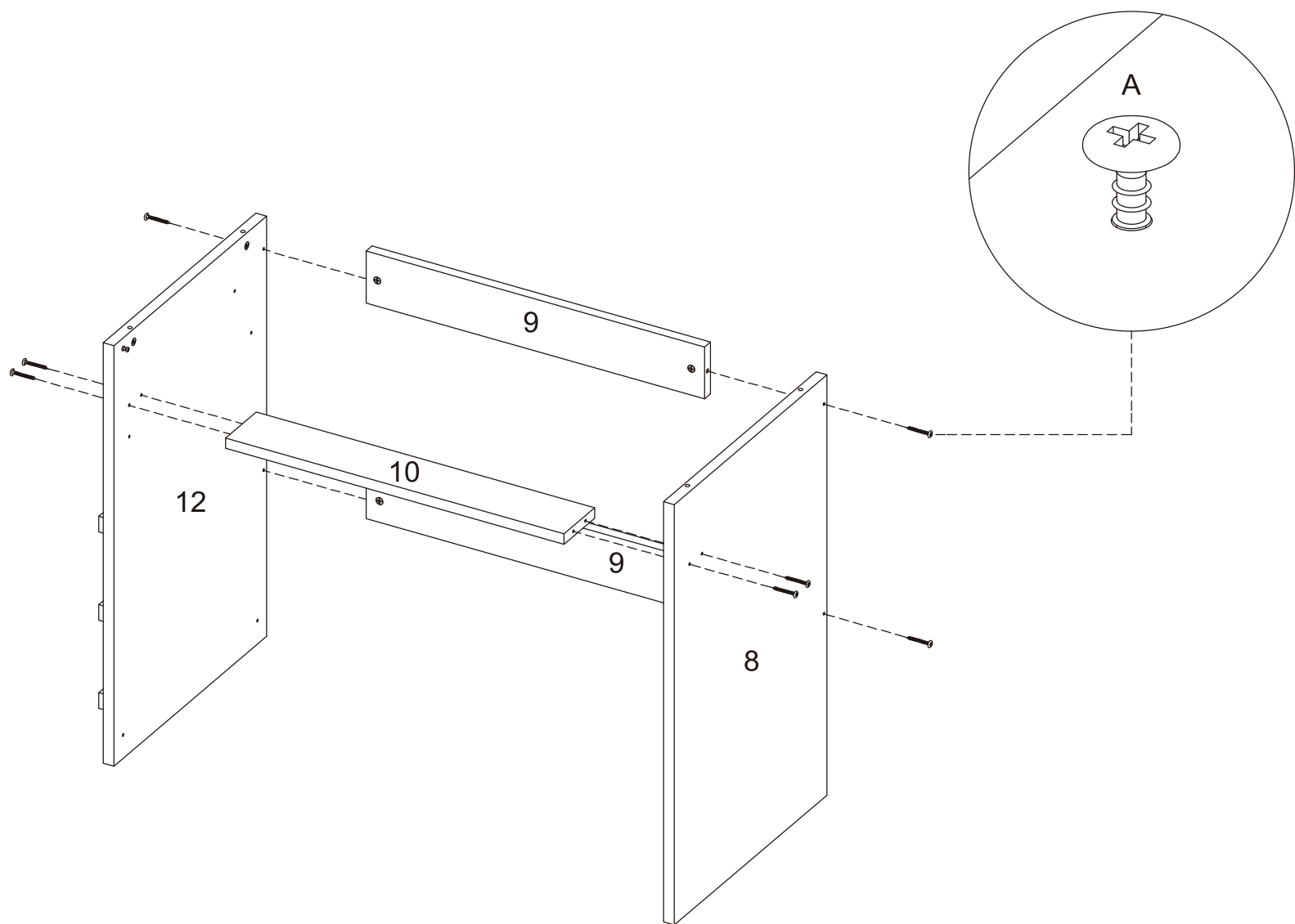
Step 11



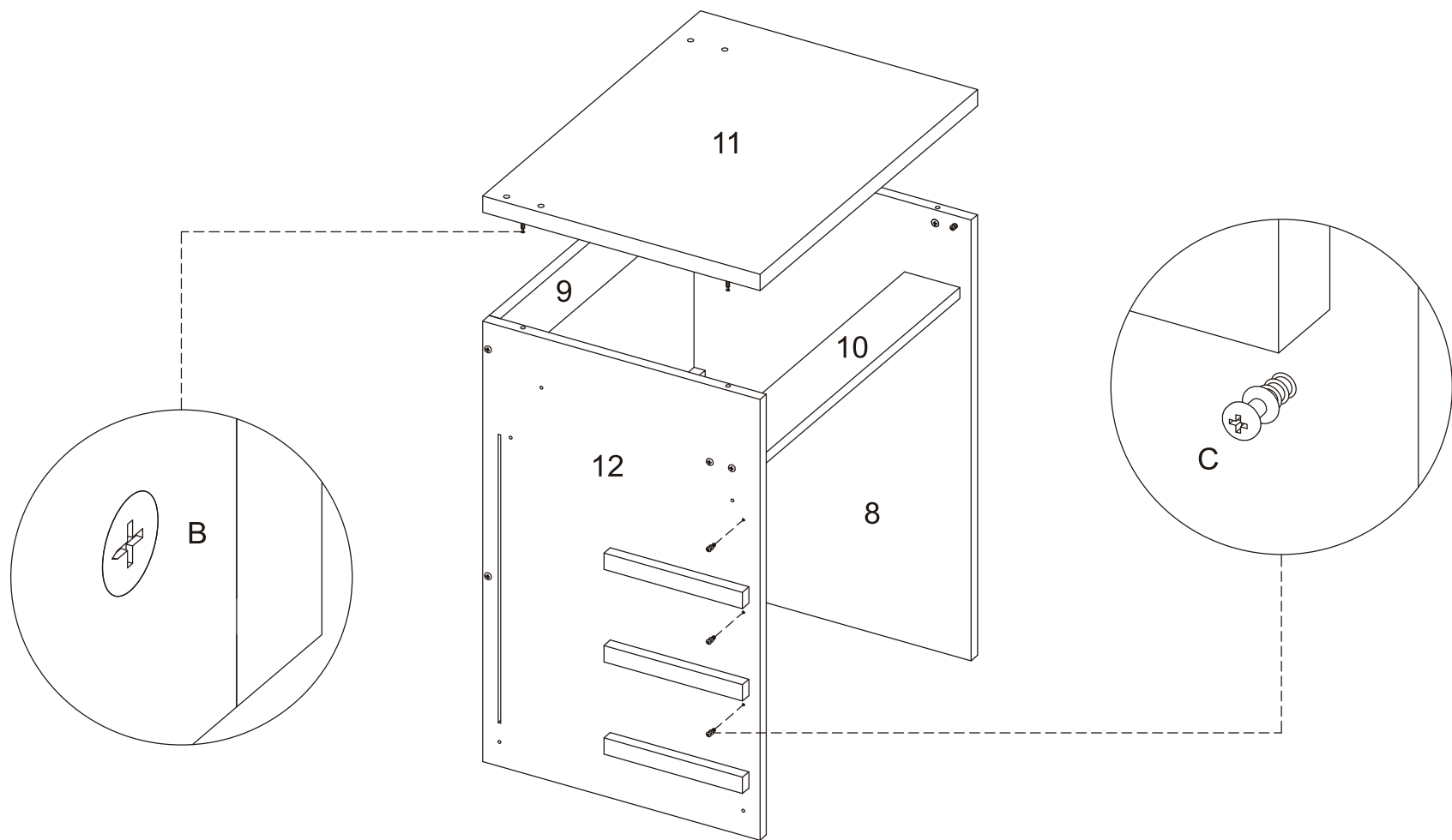
Step 12 pick up ⑧x1, ⑨x2, ⑩x1, ⑫x1, ⑪x1



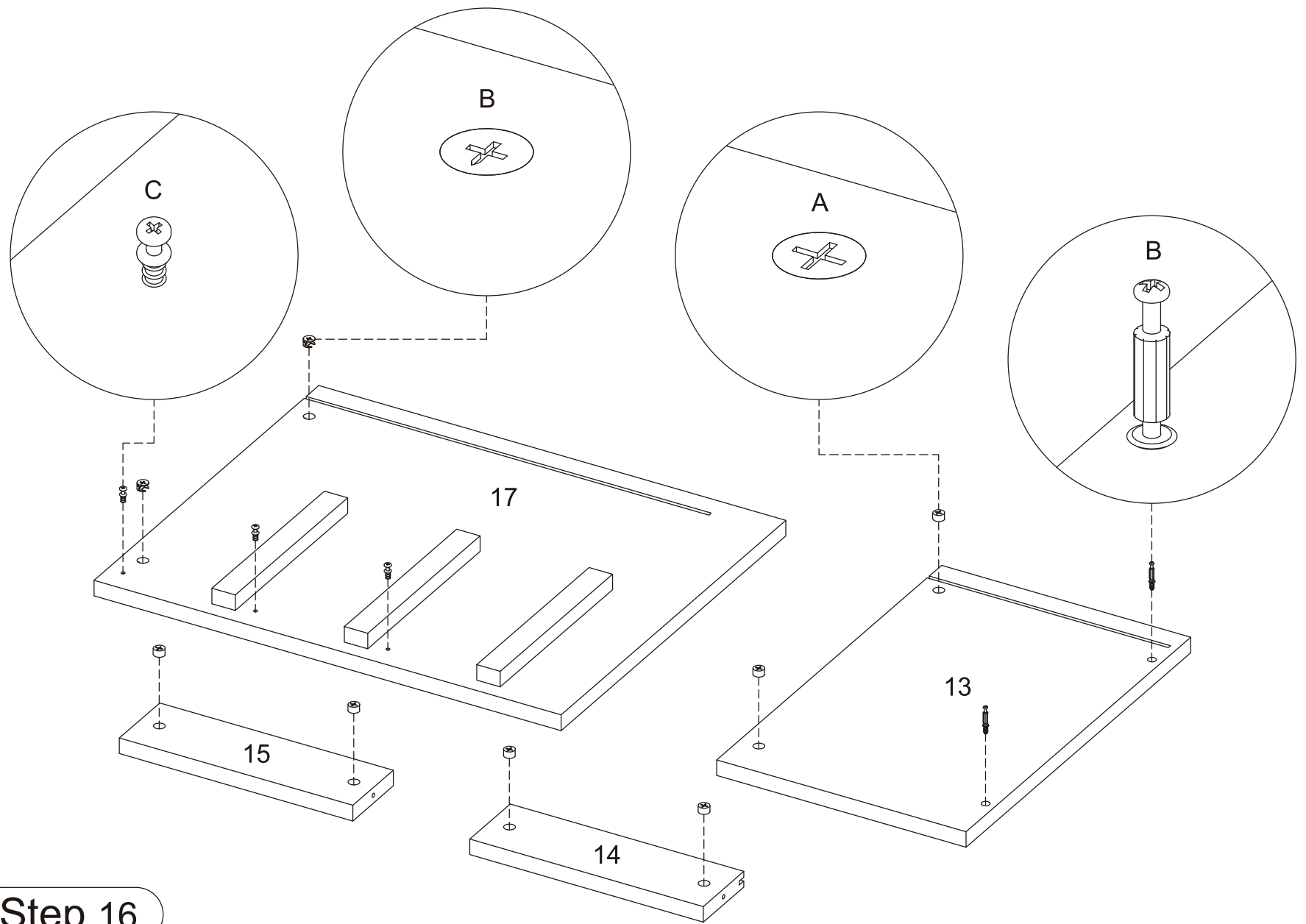
Step 13



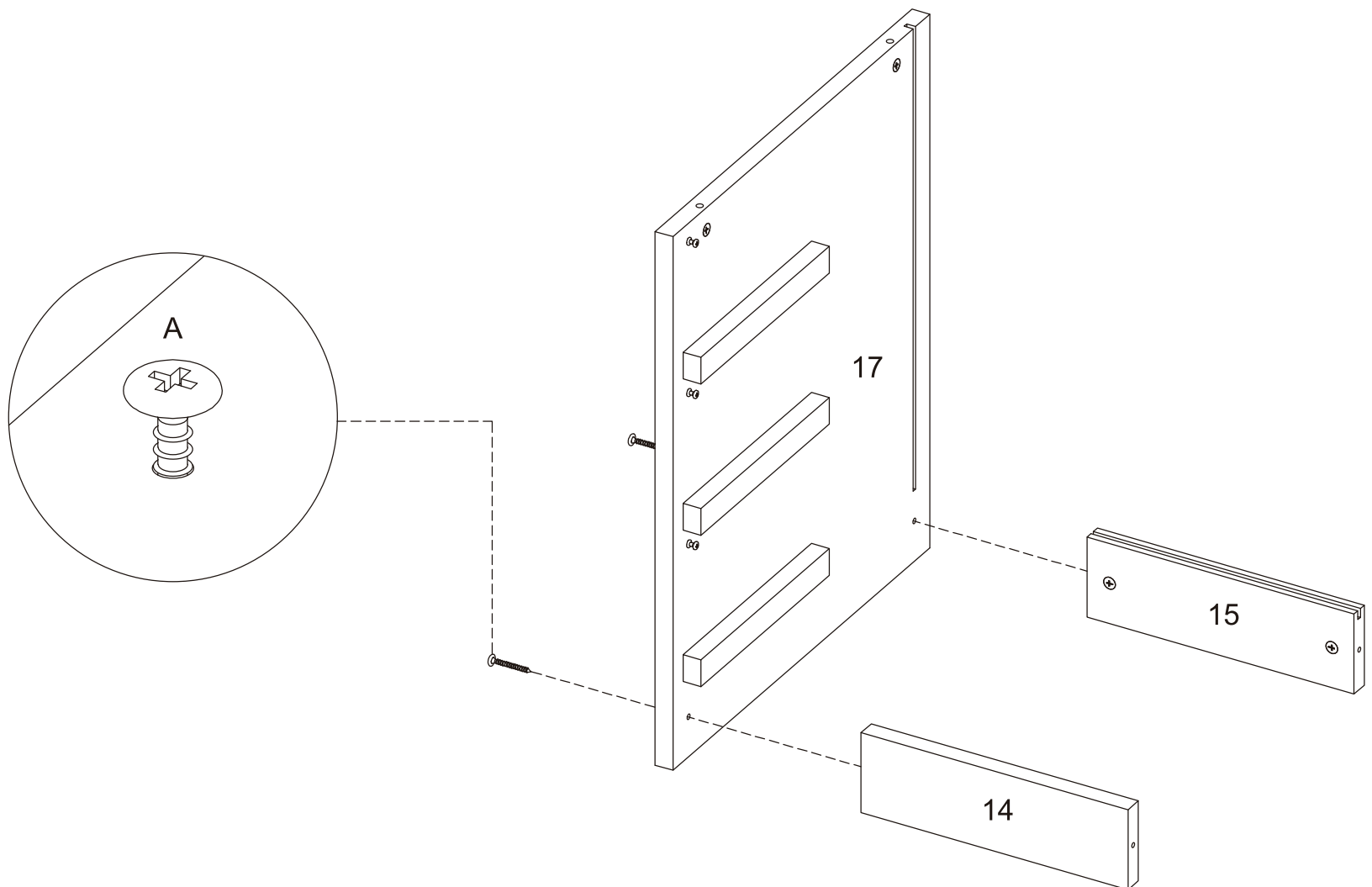
Step 14



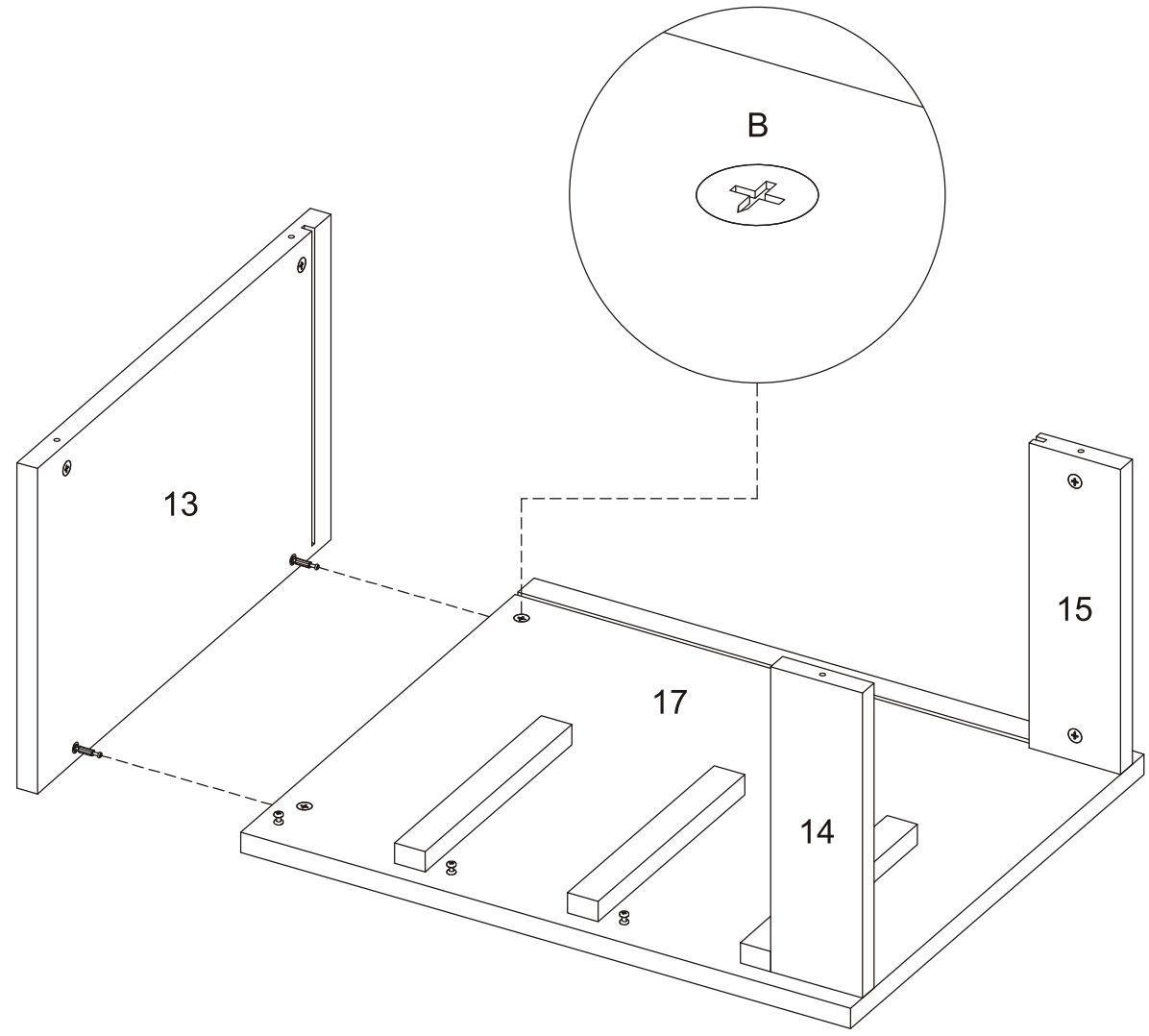
Step 15 pick up (13) x1, (14) x1, (15) x1, (16) x1, (17) x1



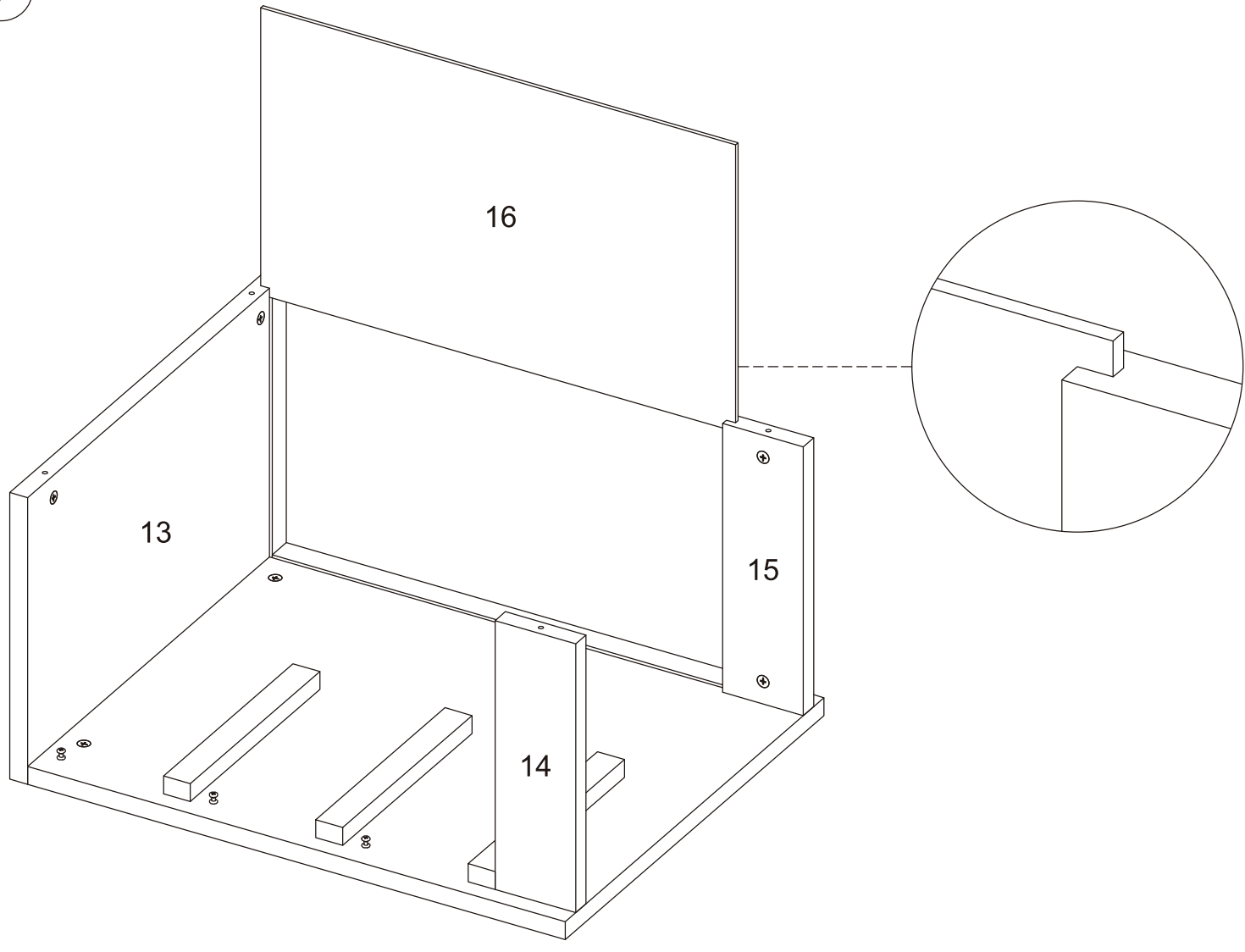
Step 16



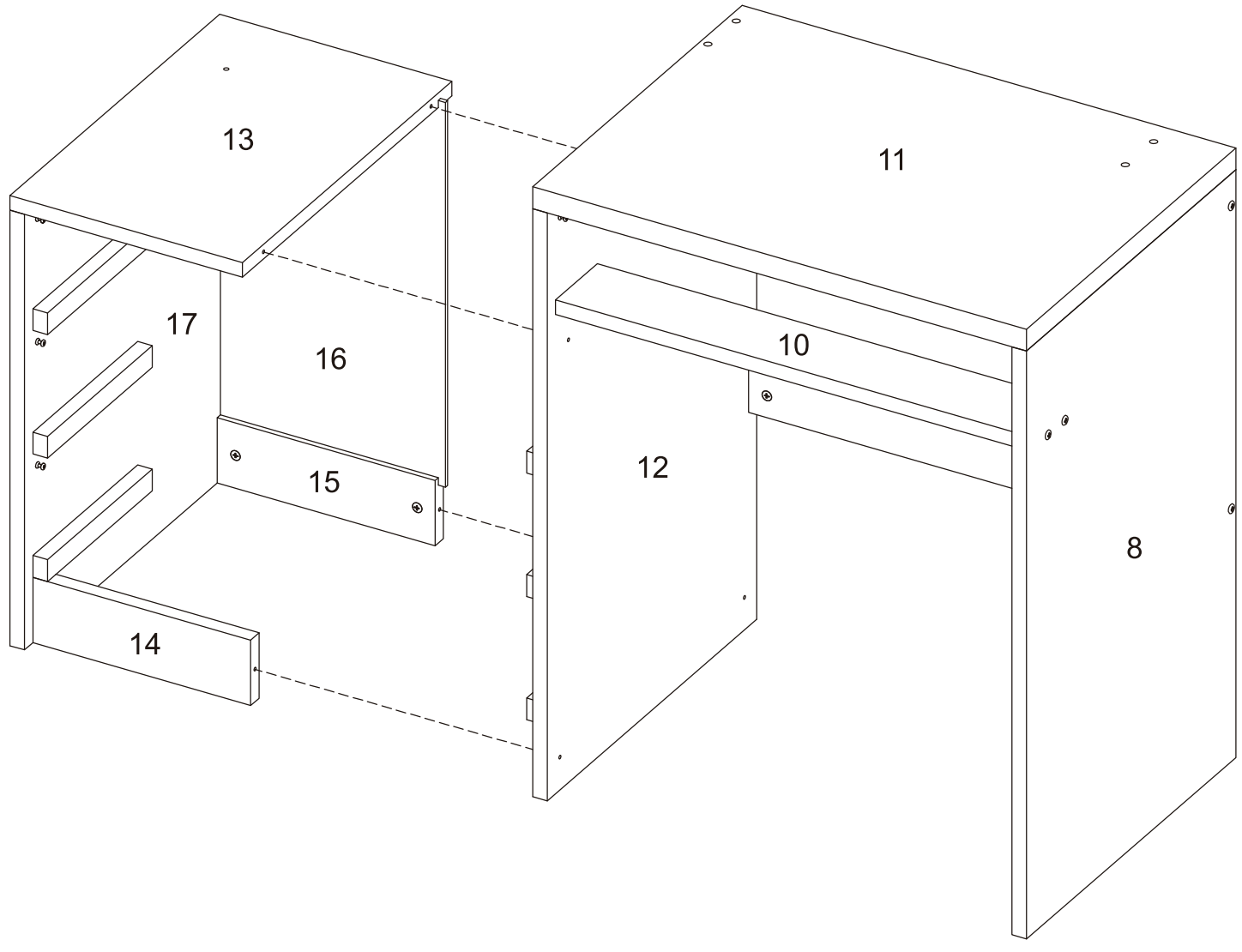
Step 17



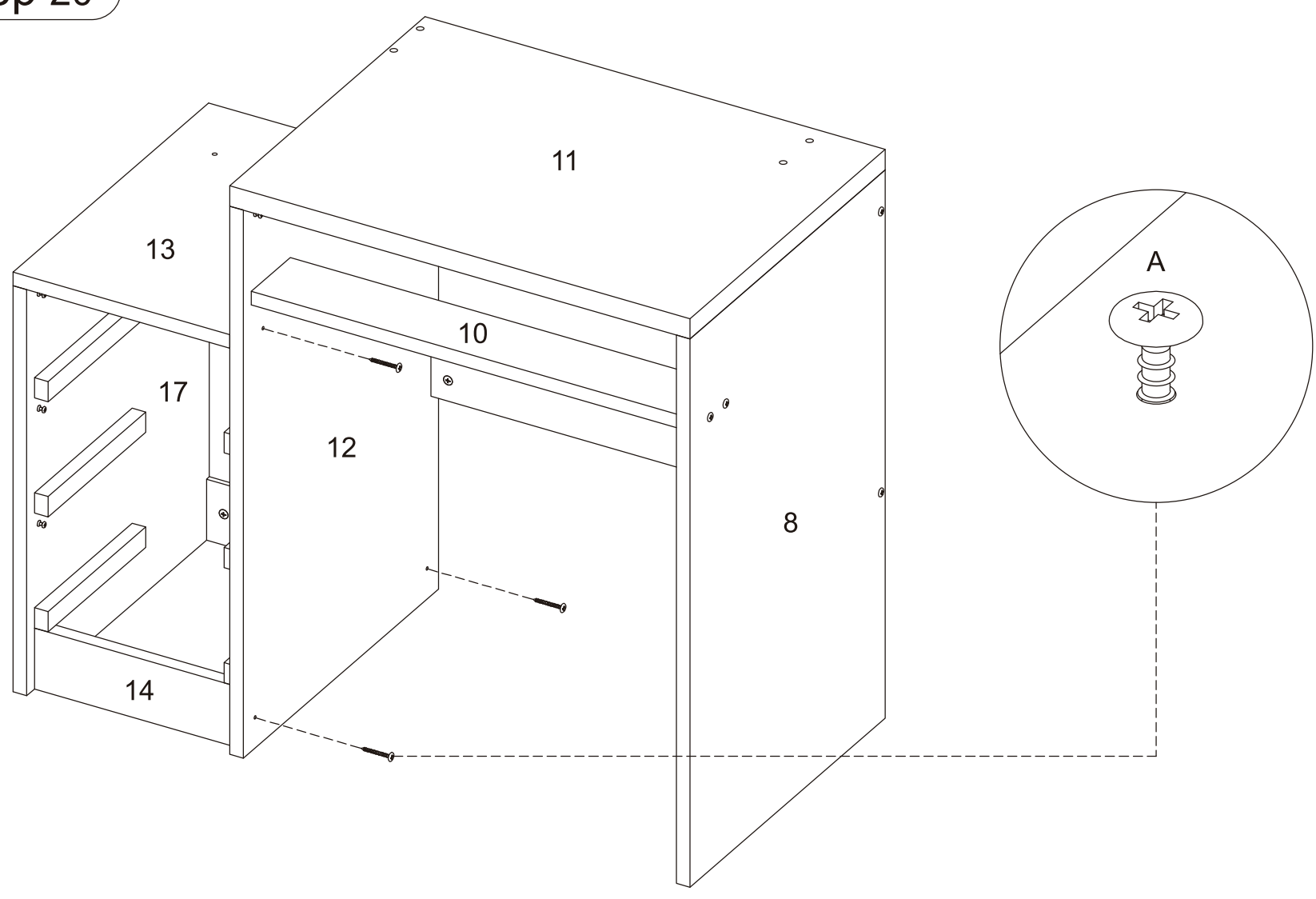
Step 18



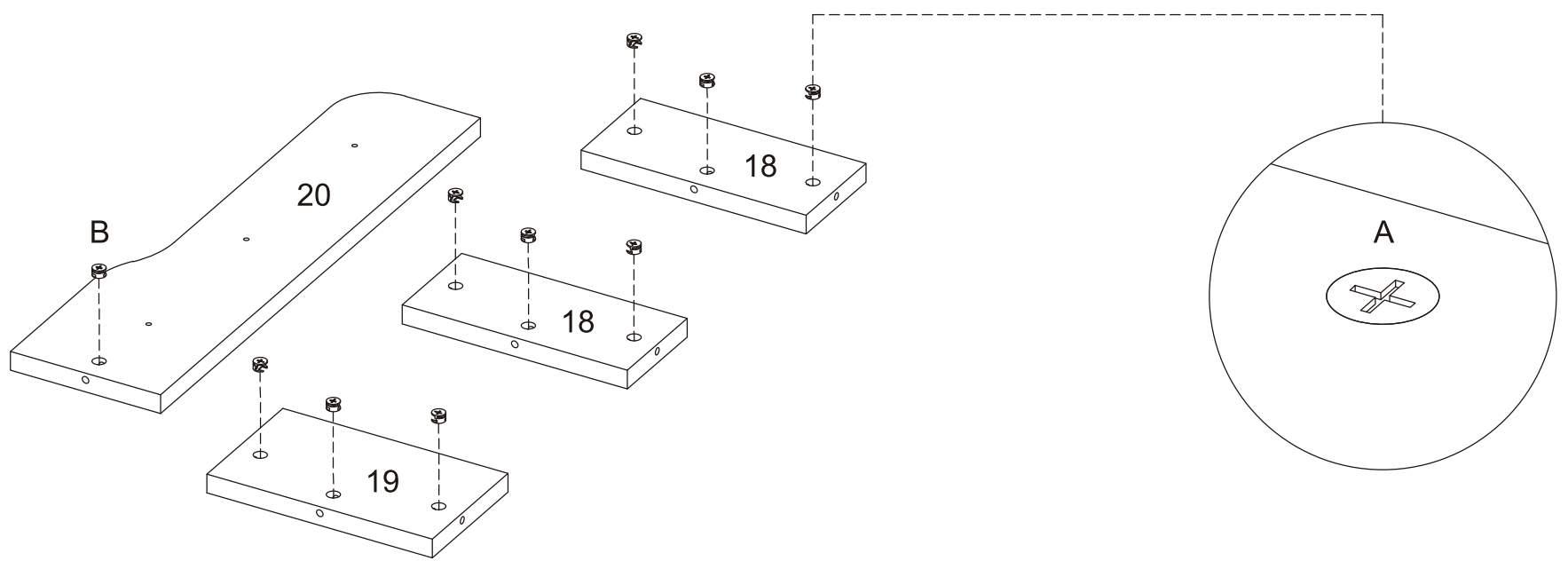
Step 19



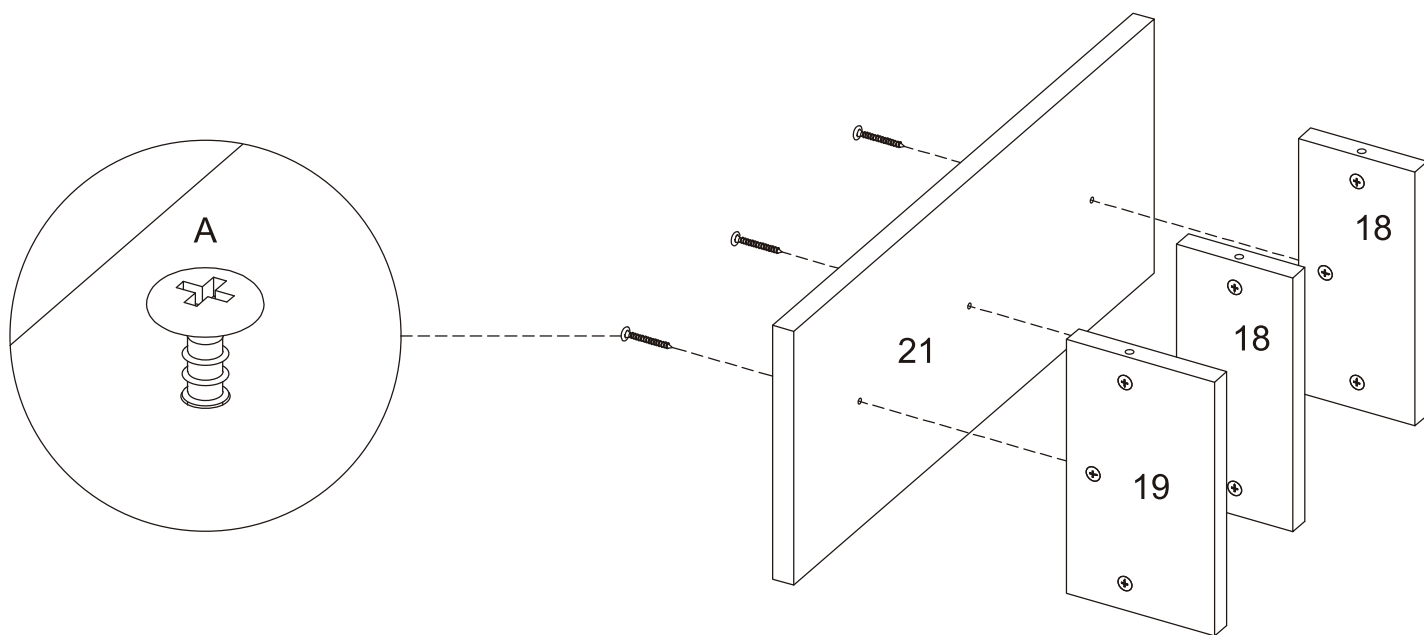
Step 20



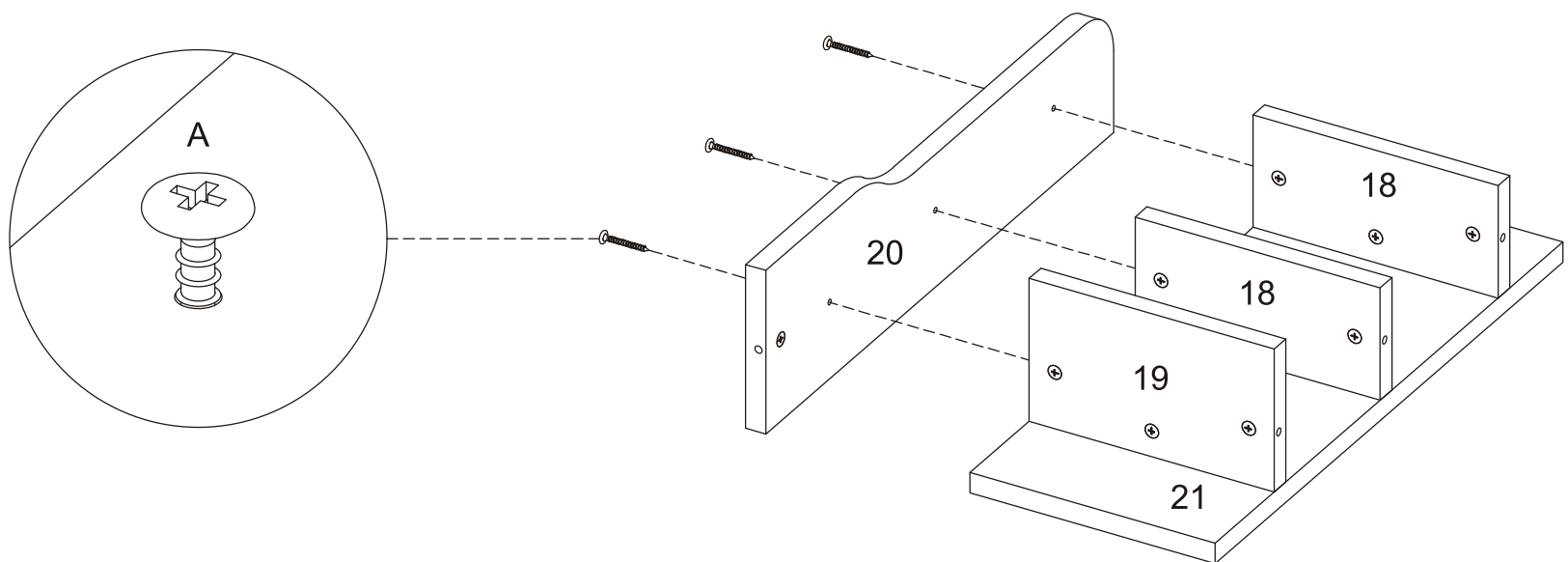
Step 21 pick up (18) x2, (19) x1, (20) x1, (21) x1



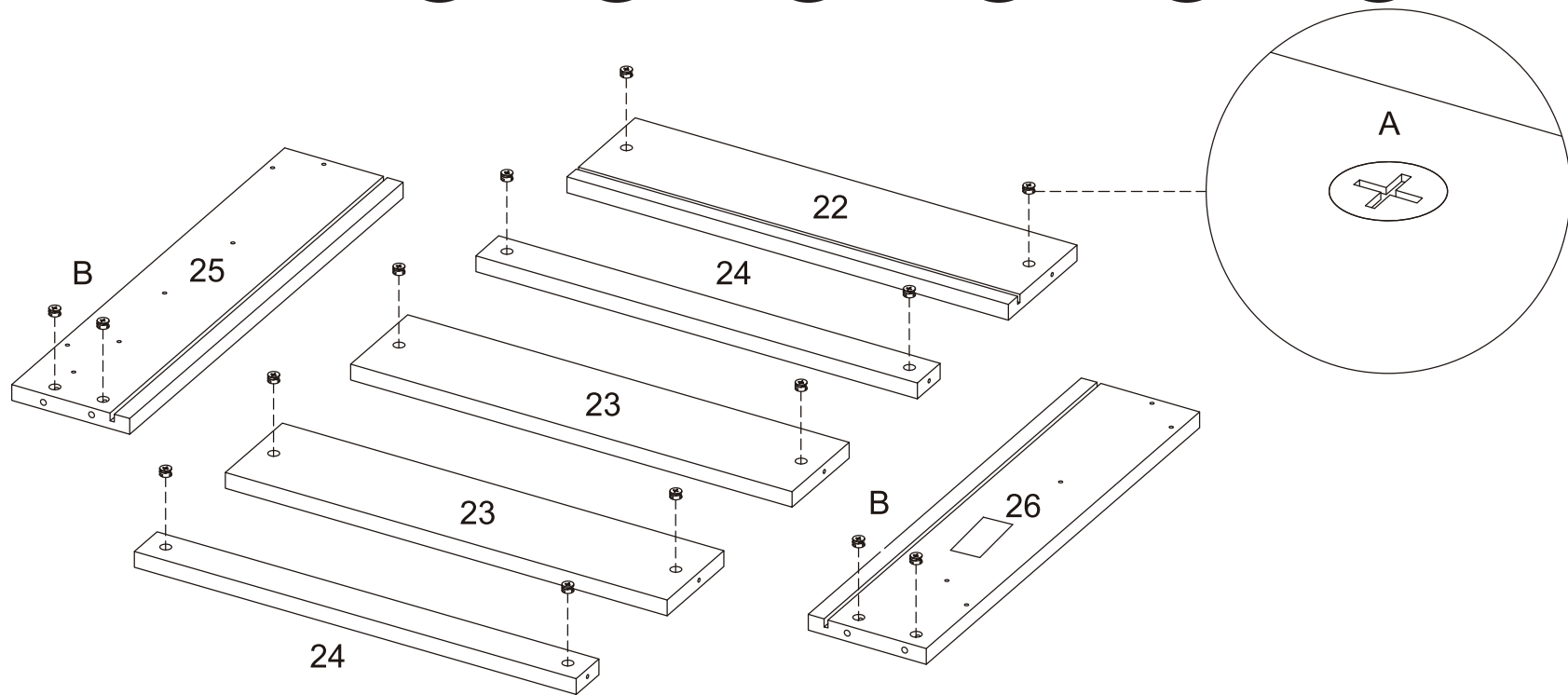
Step 22



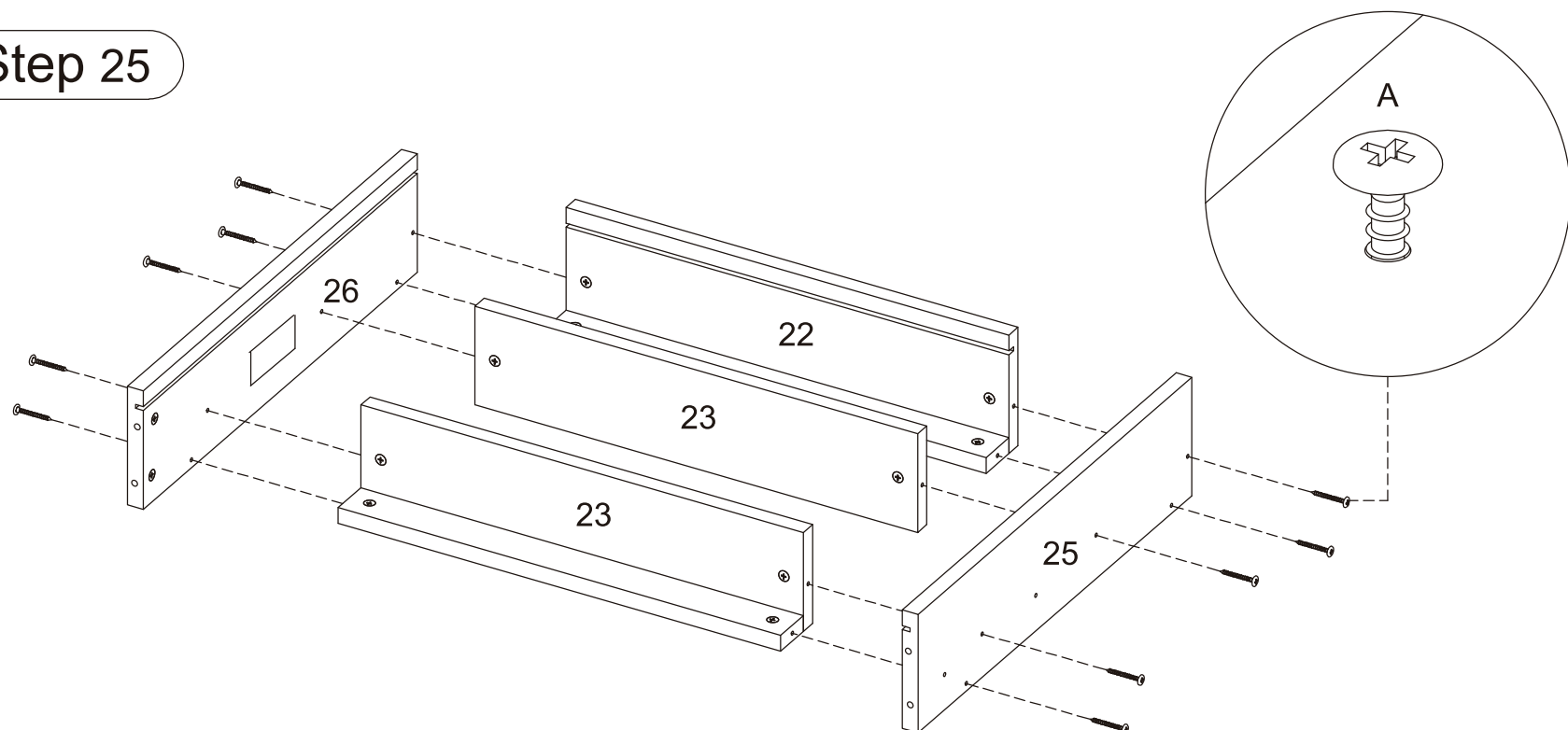
Step 23



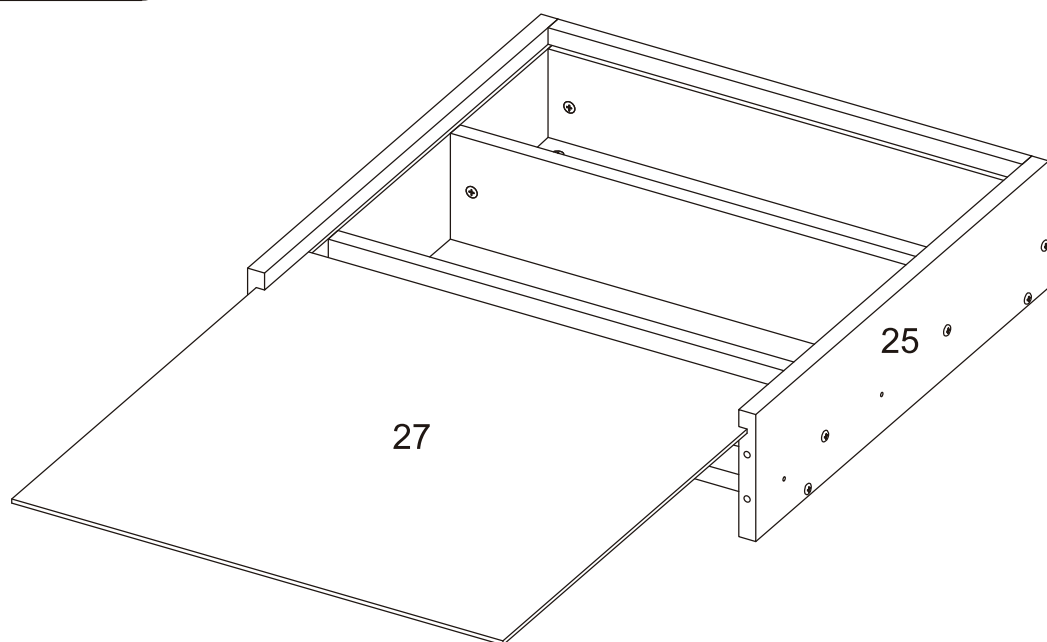
Step 24 pick up (22) x1, (23) x2, (24) x2, (25) x1, (26) x1, (27) x1



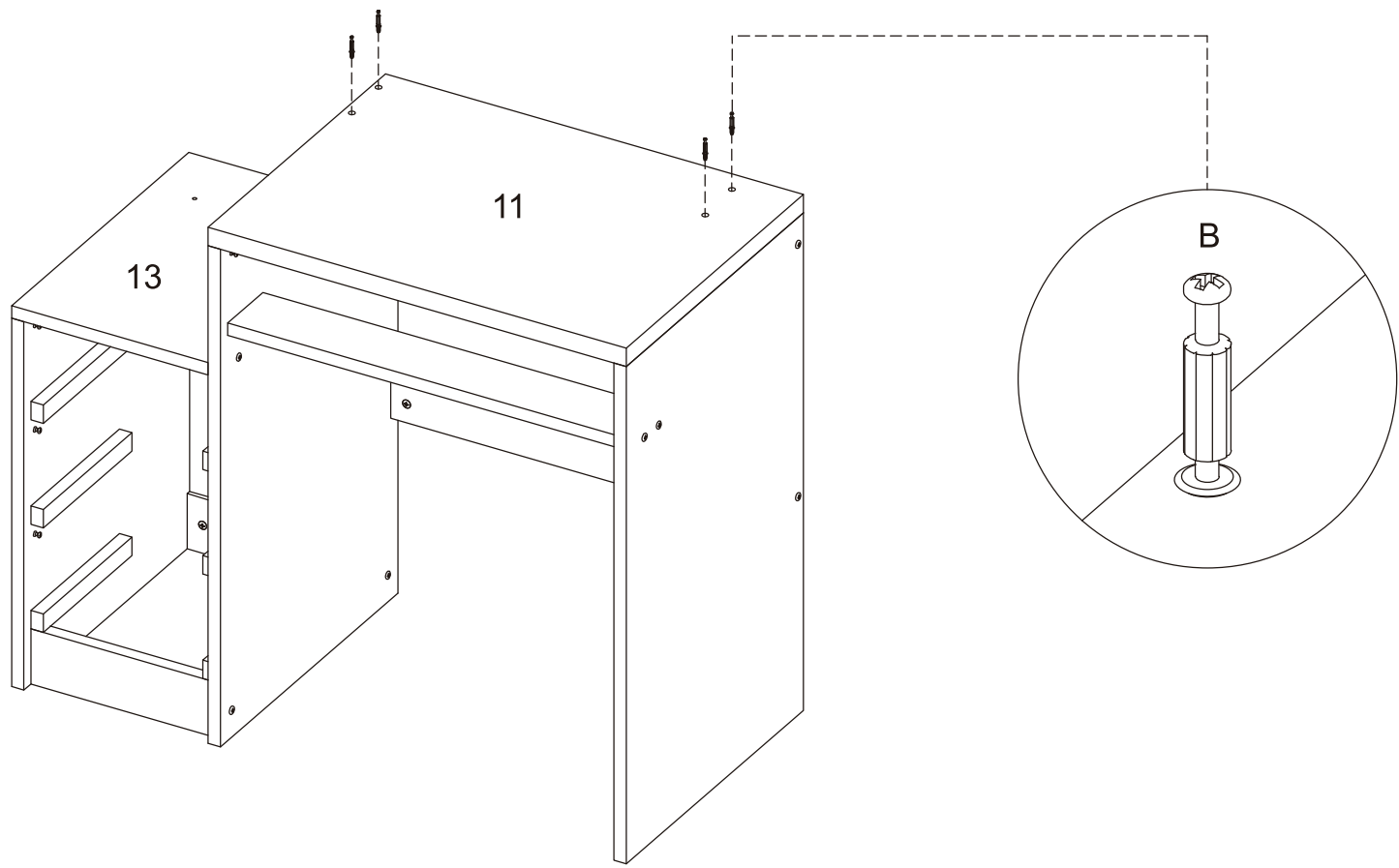
Step 25



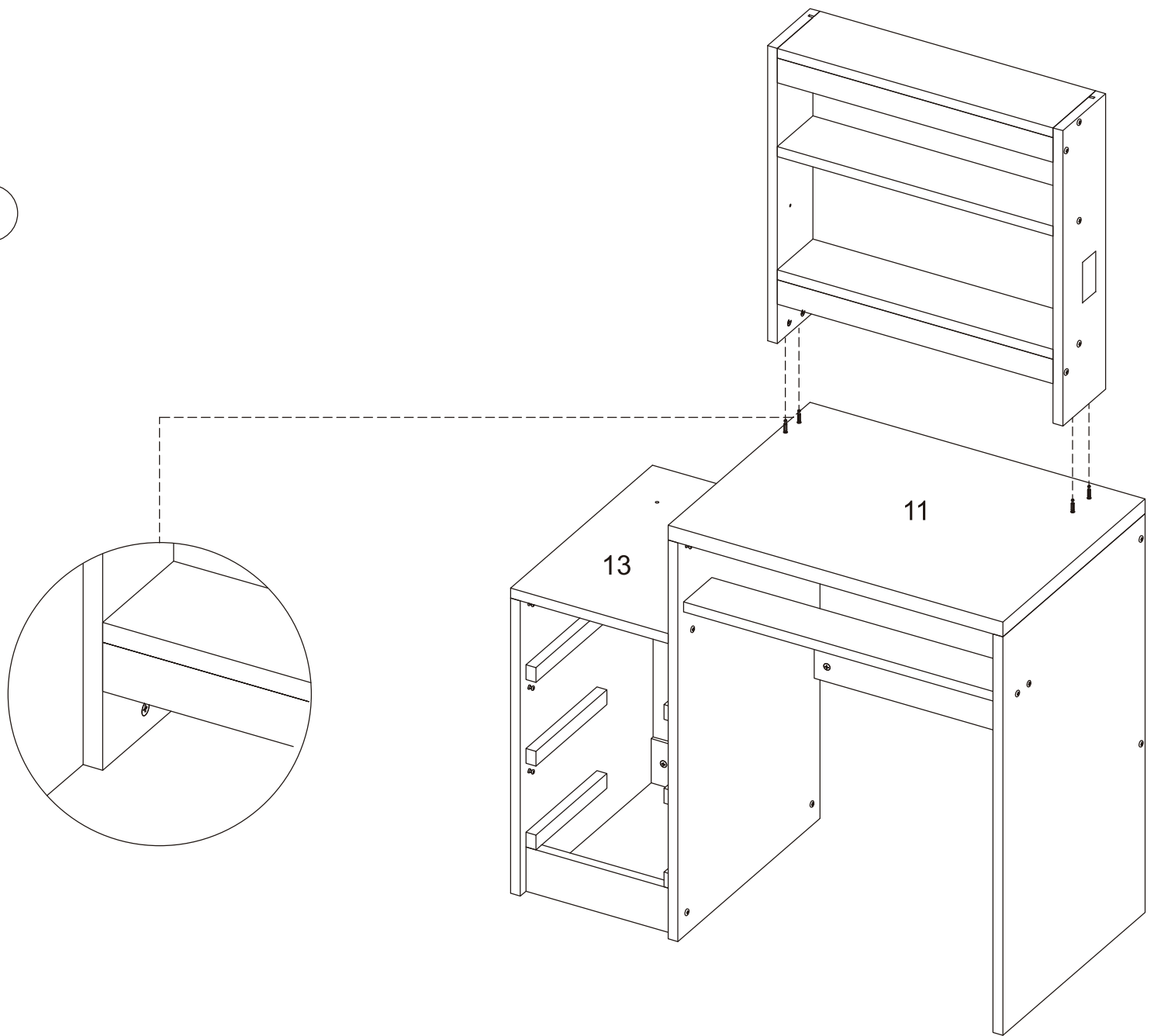
Step 26



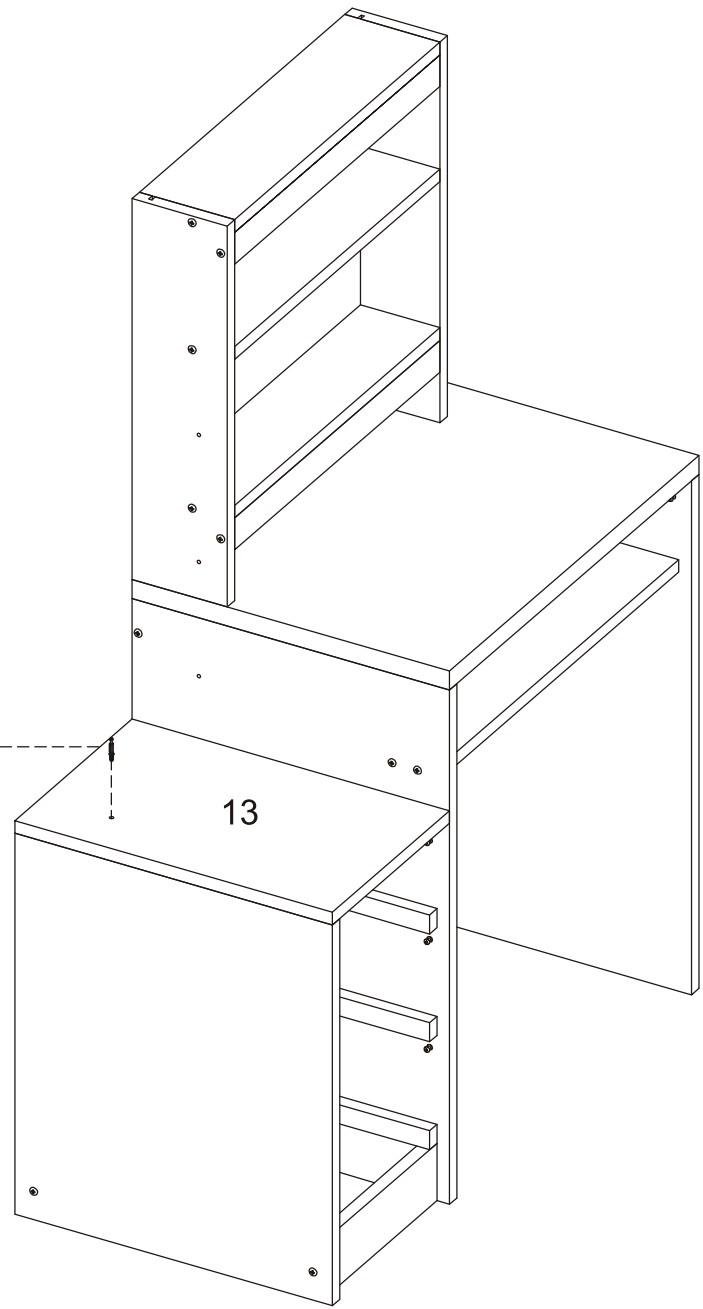
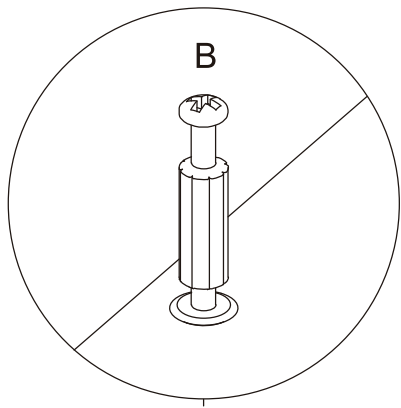
Step 27



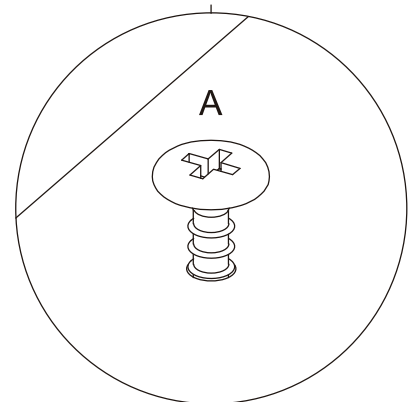
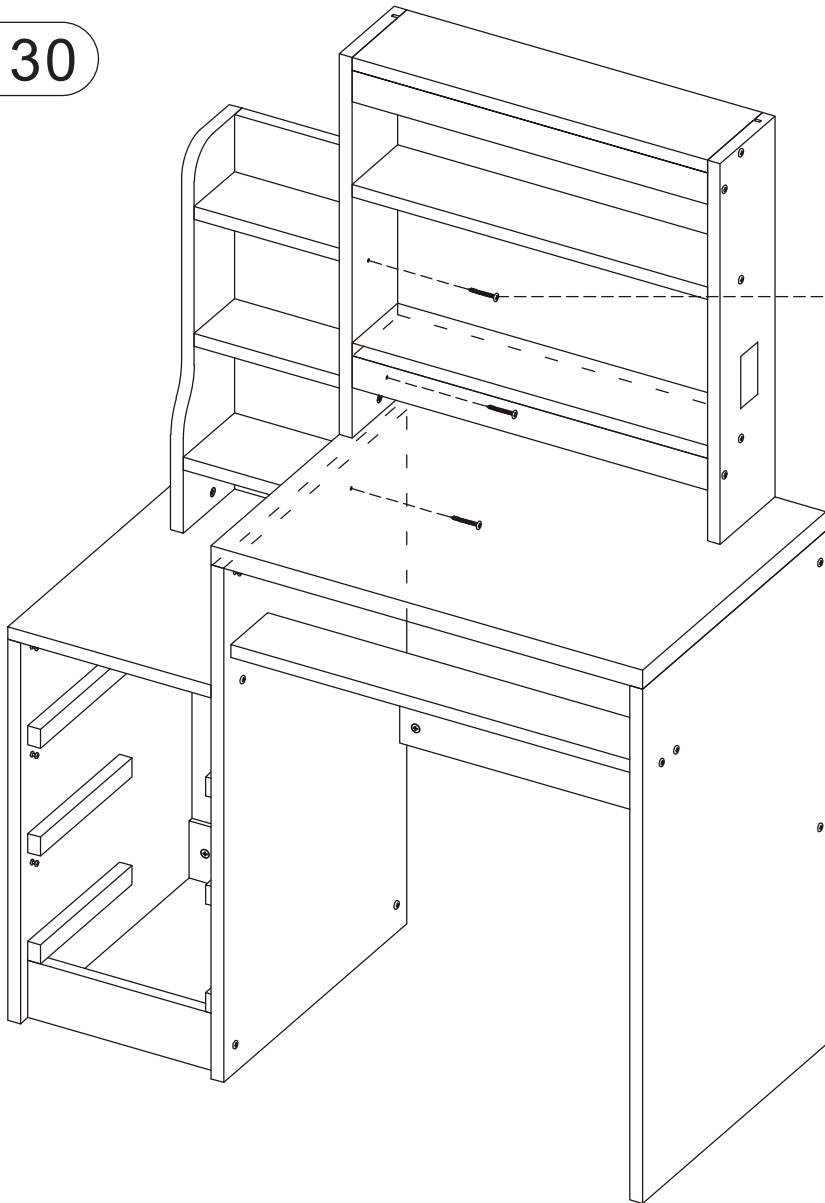
Step 28



Step 29

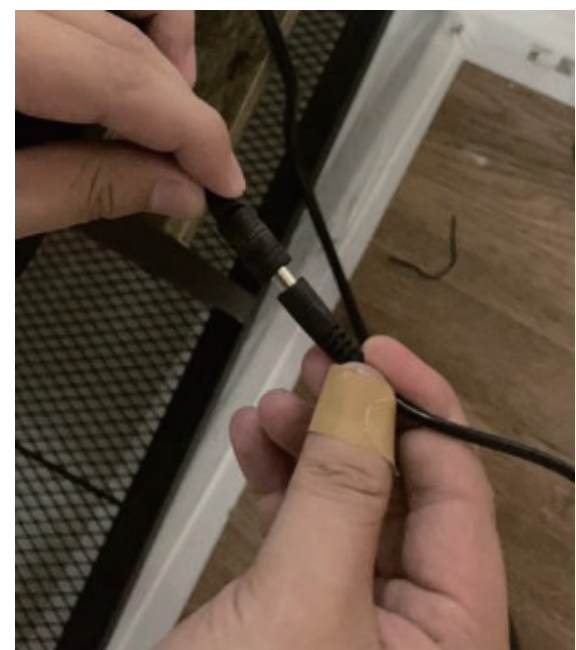
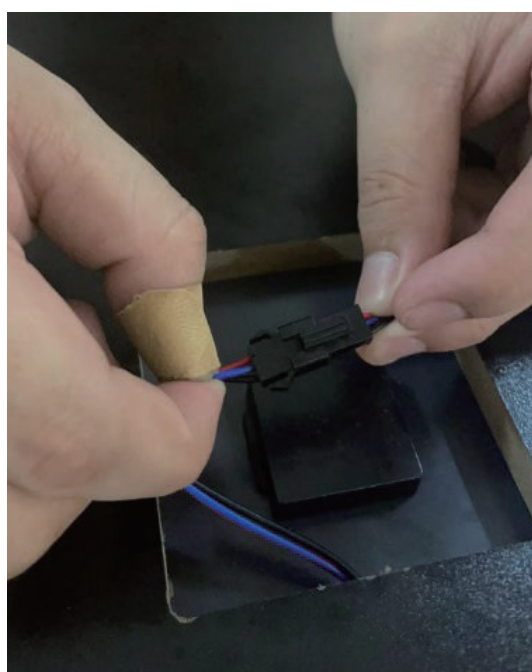
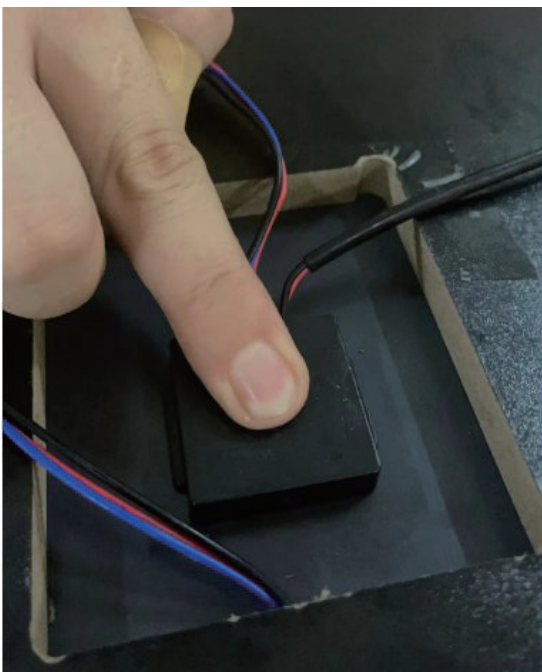
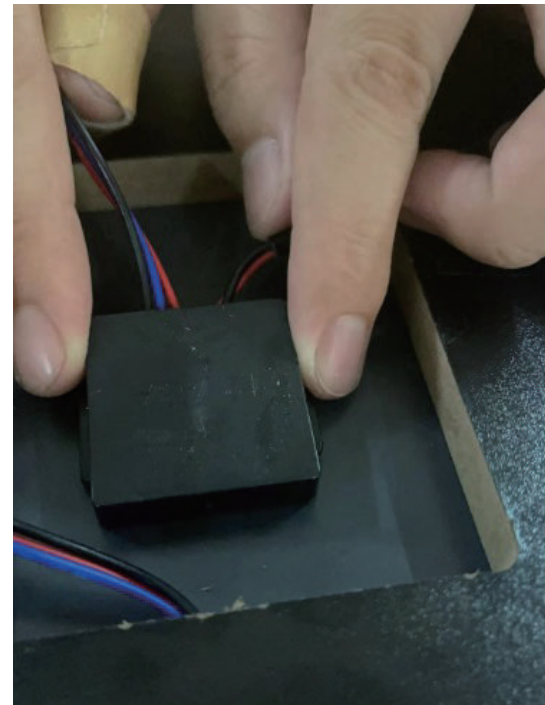
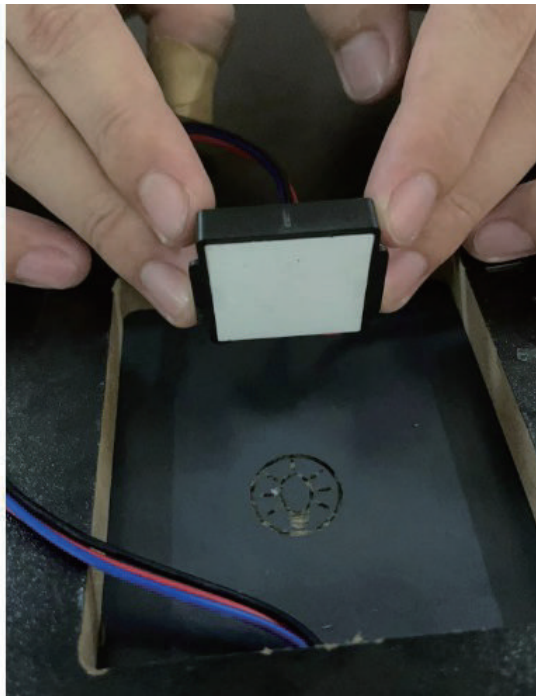
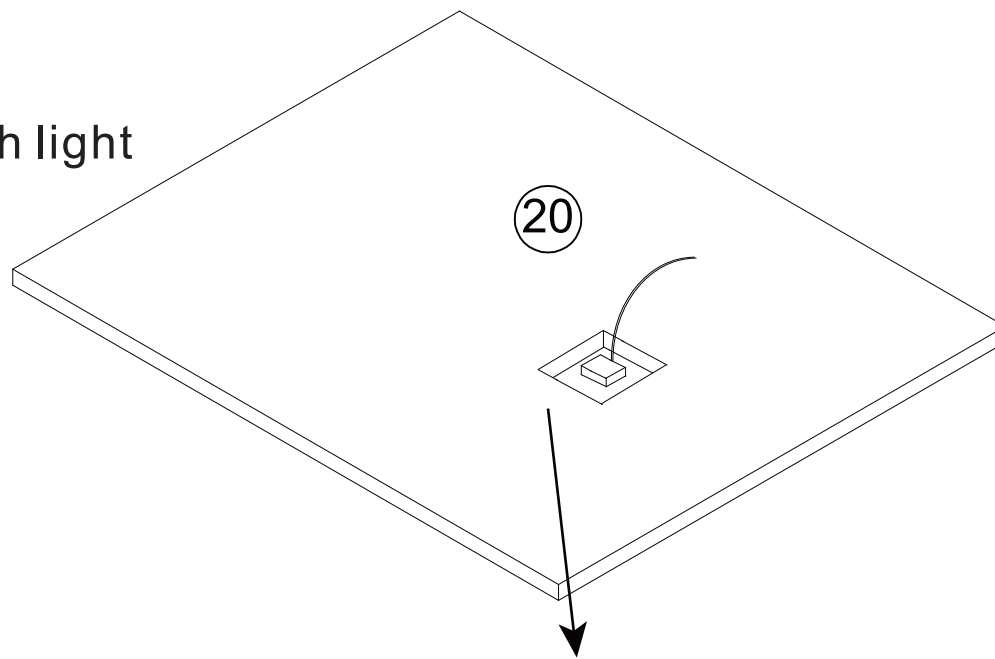


Step 30



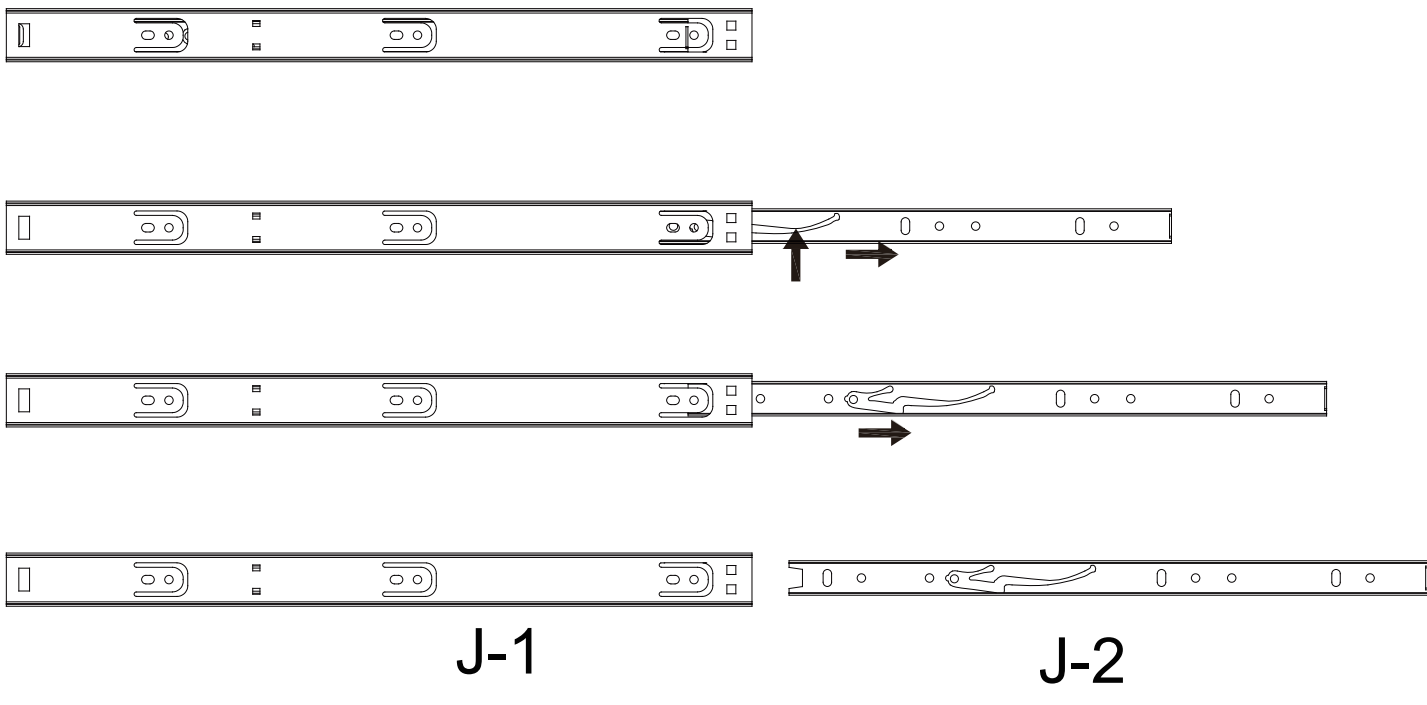
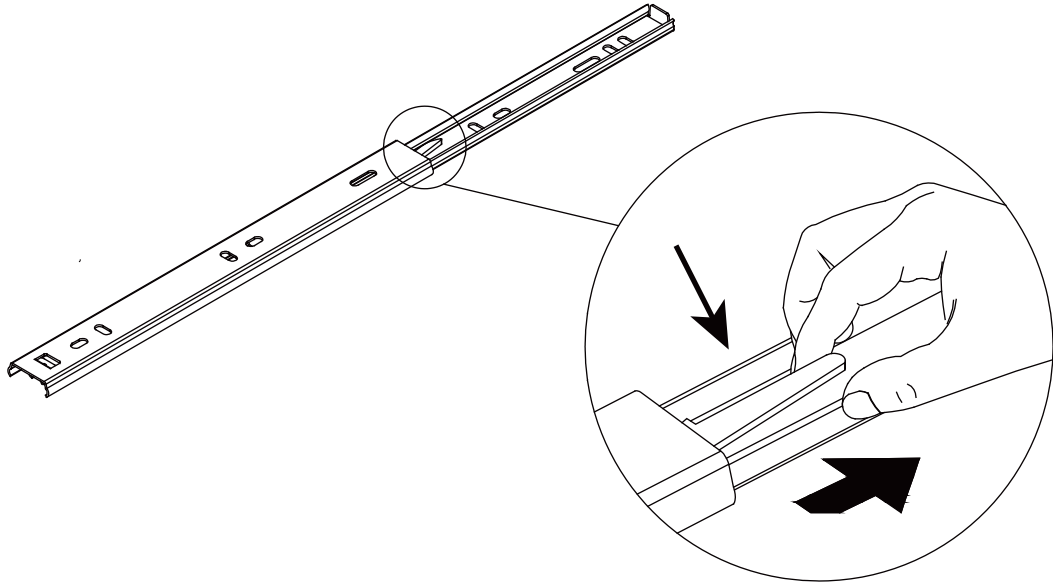
Step 31

For vanity table with light

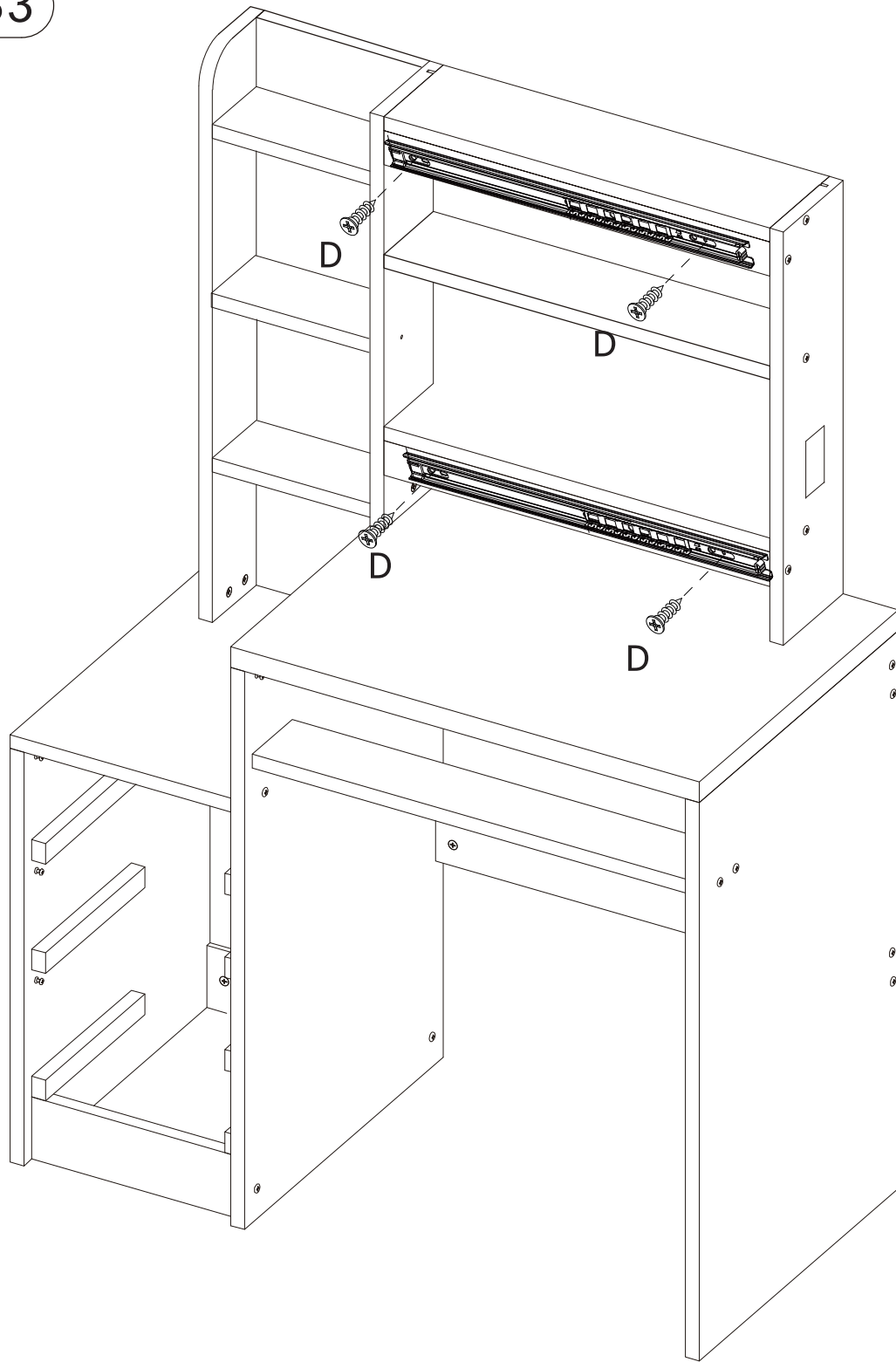


If your vanity table include a LED mirror light, please test the light in this step. Touch the switch button on the mirror to turn on the mirror light, click the switch button to change the color of the light, and long press the switch button to adjust the brightness. If the switch button is not sensitive, you can check whether the touch switch is tightly attached to the mirror back as shown in the diagram. If it is not tightly attached, please use your fingers to press the touch switch to the designated position and check if the connecting wire is OK.

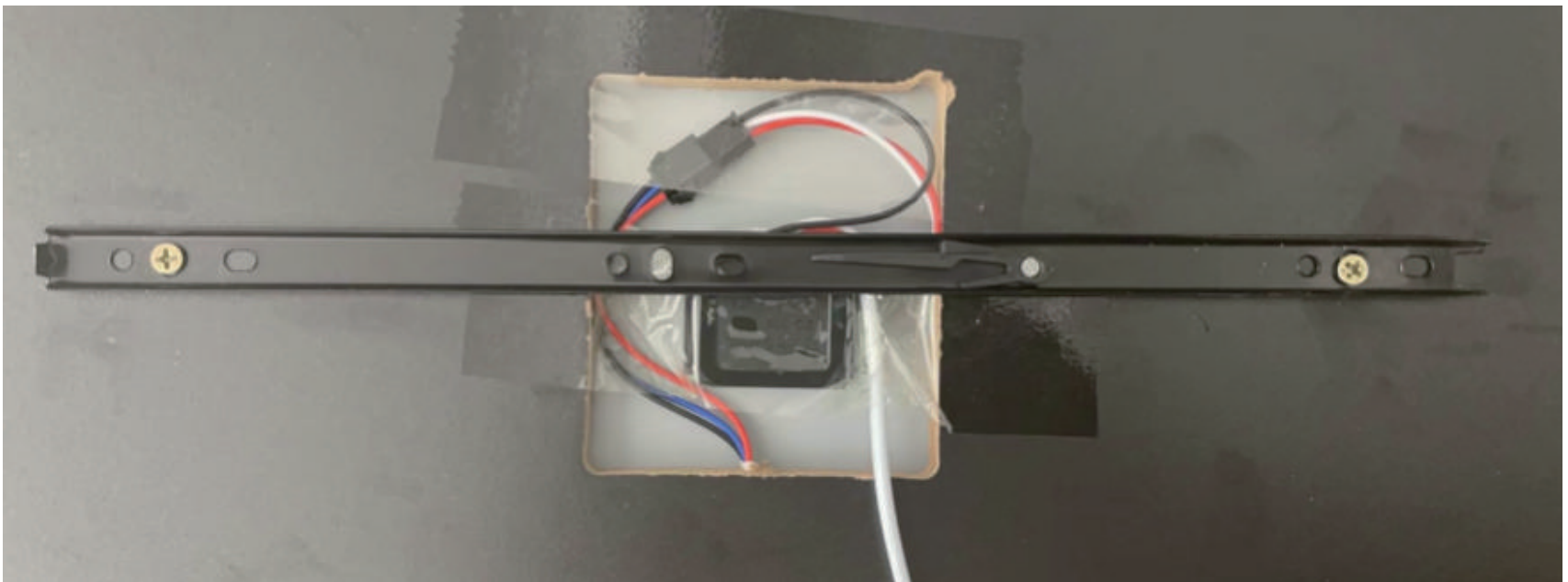
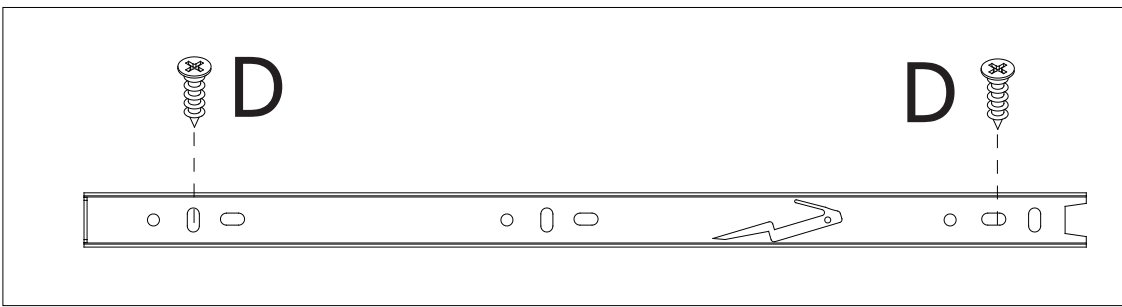
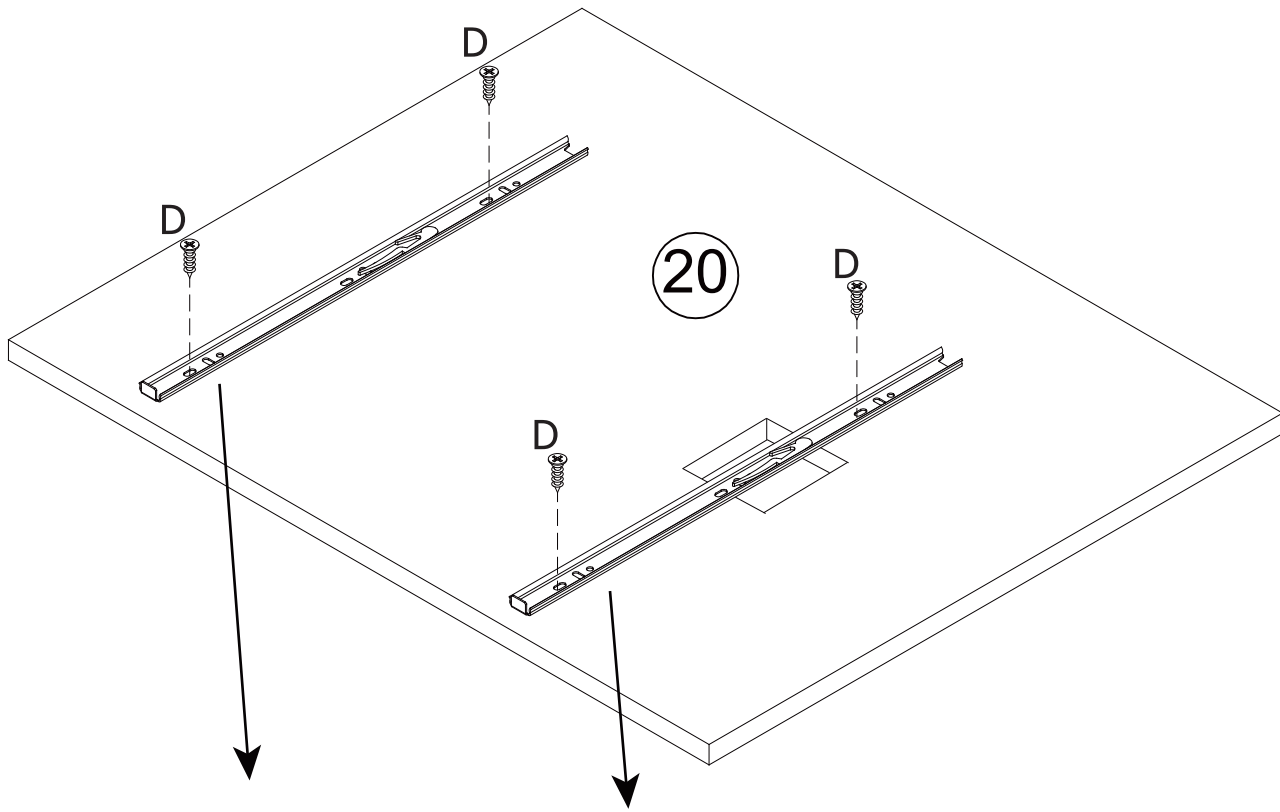
Step 32



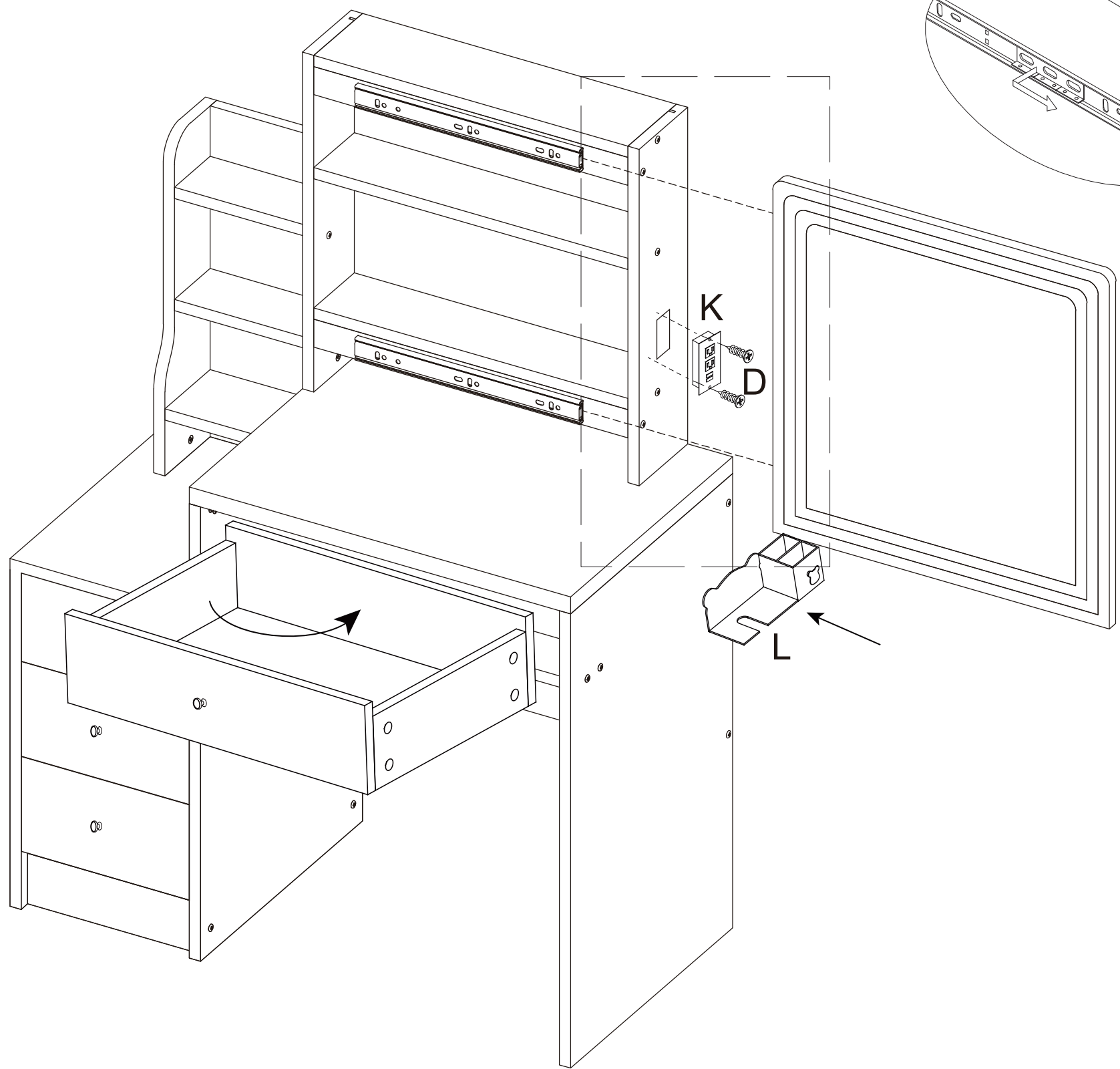
Step 33



Step 34



Step 35 K, L only for luxury version.



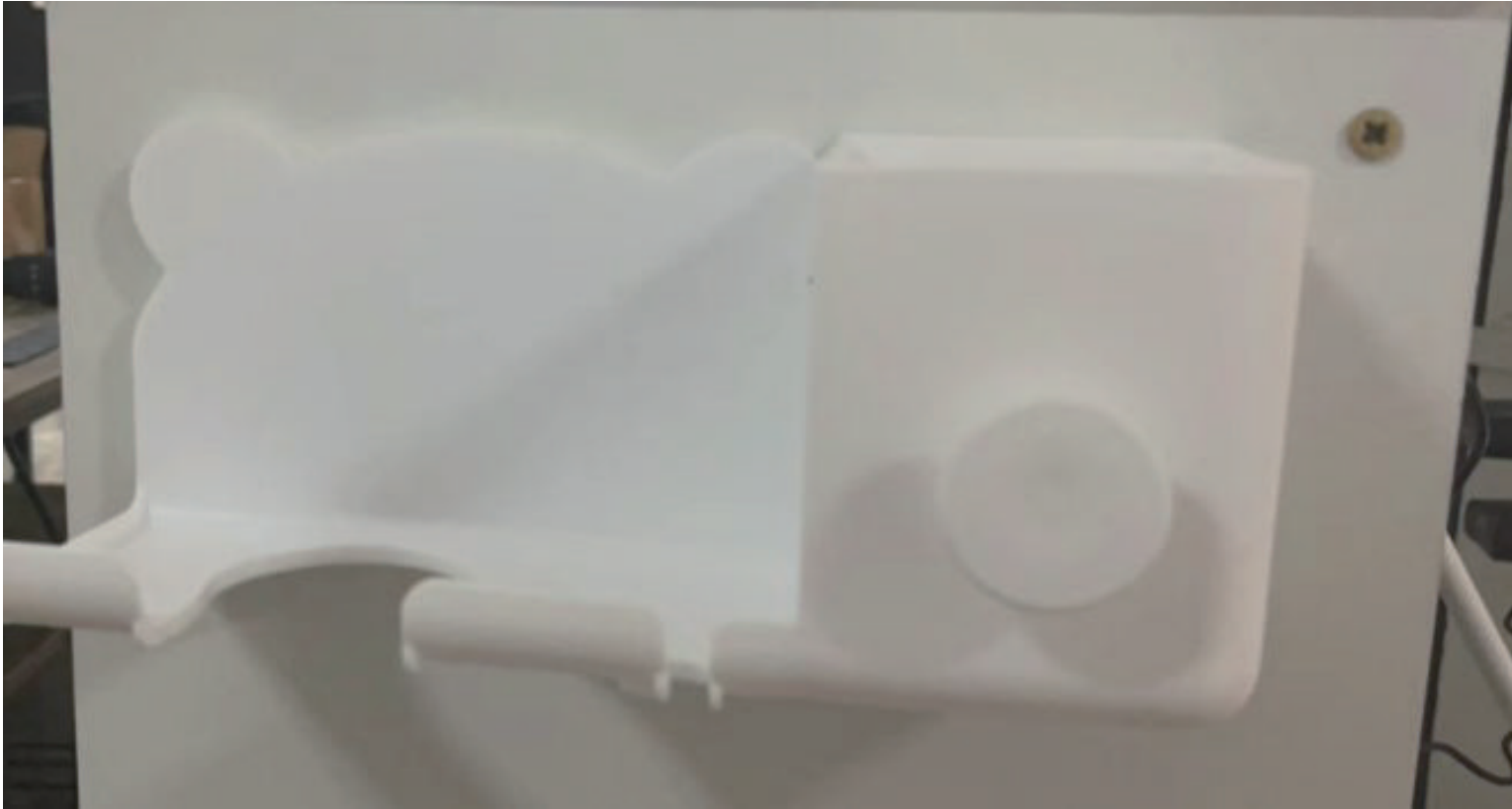
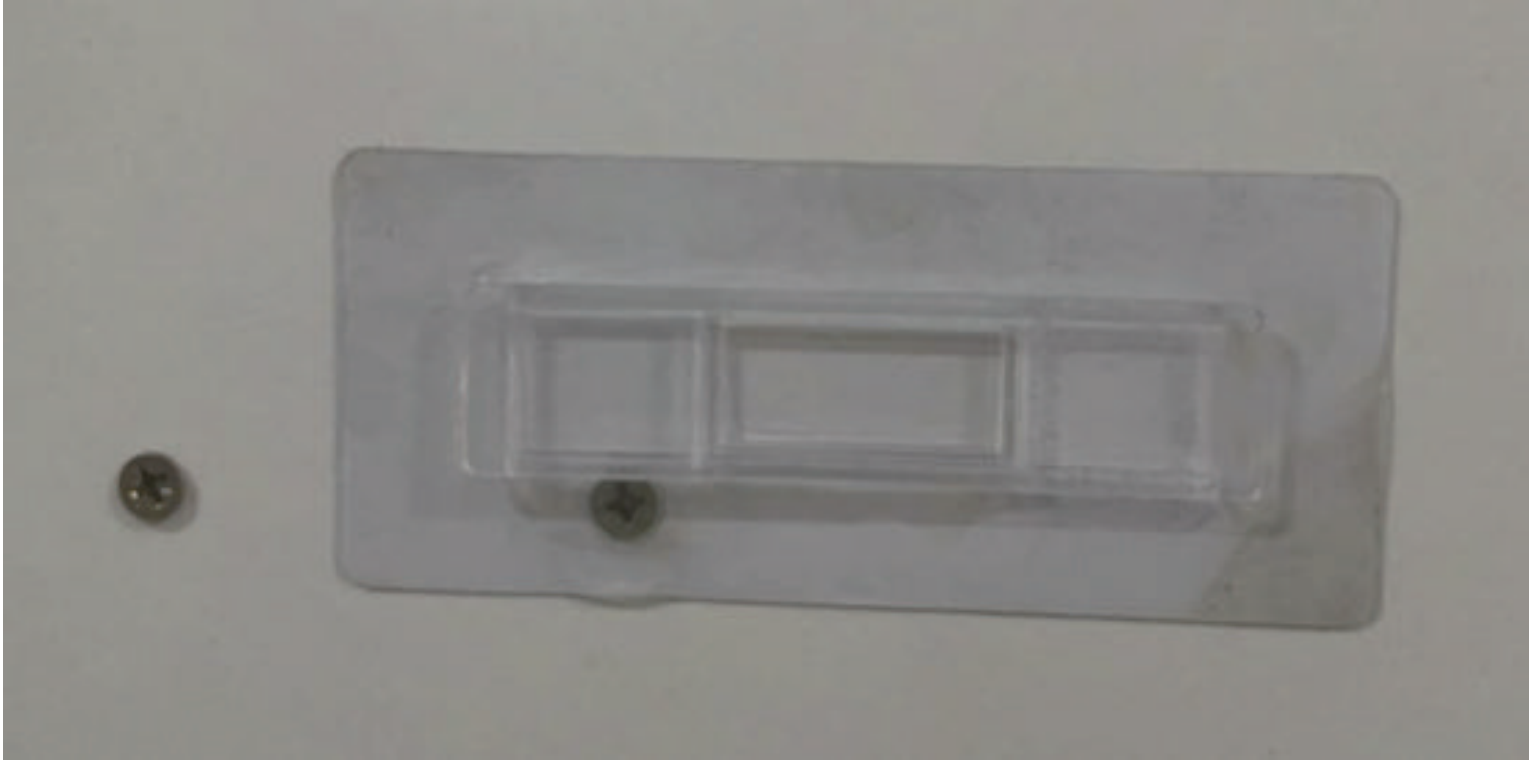
Please note that when placing the drawer in, the drawer positioning pin will block the drawer. Therefore, please follow the diagram to first insert the inner edge of the drawer using a concave method, and then push the drawer flat.

Step 36



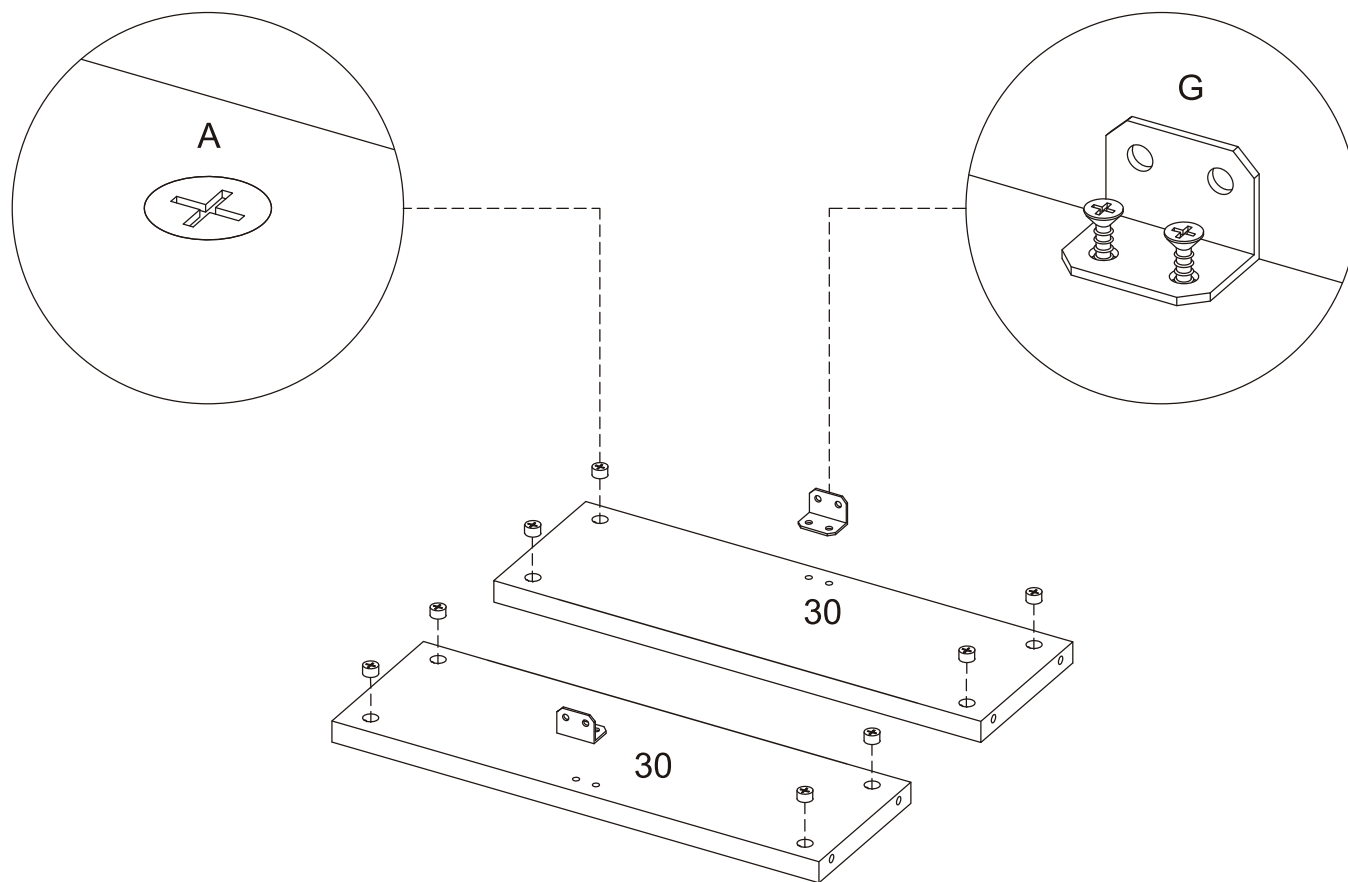


Only for vanity table with hair dryer
bracket and built-in socket

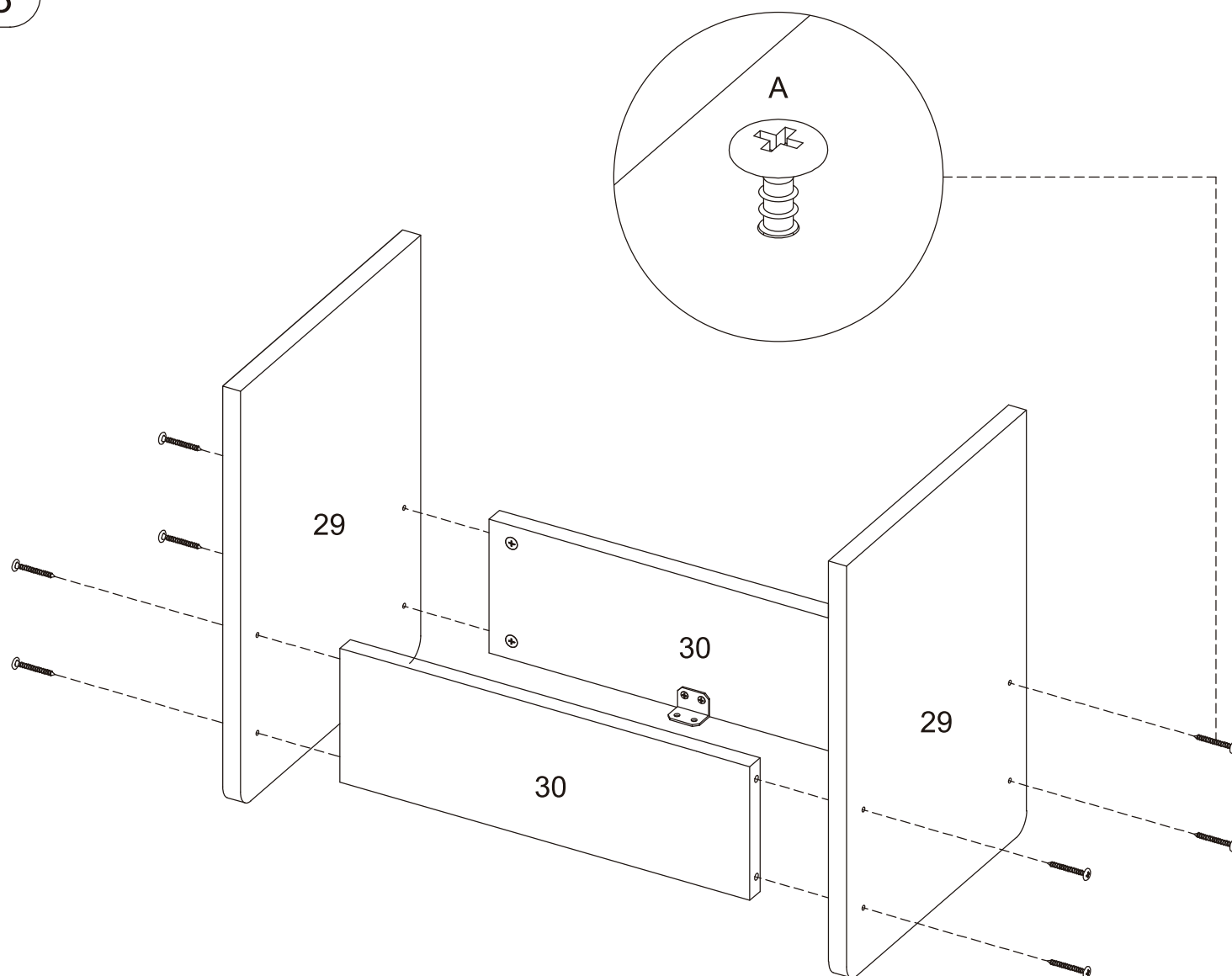


Only for vanity table with hair dryer
bracket and built-in socket

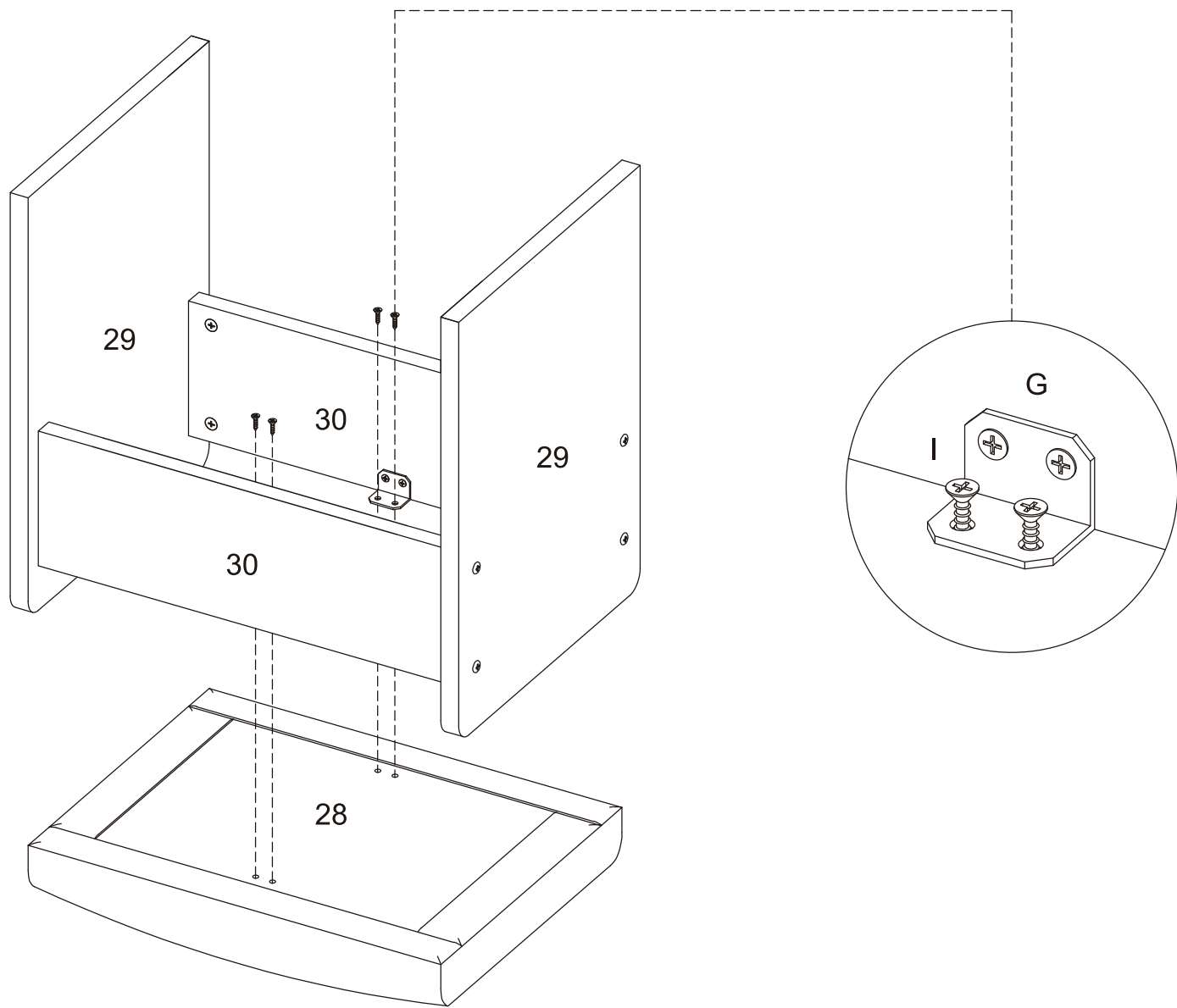
Step 37



Step 38



Step 39



Step 40

