
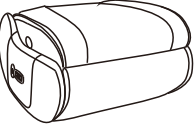
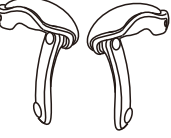

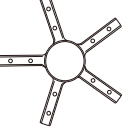



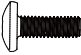

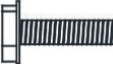



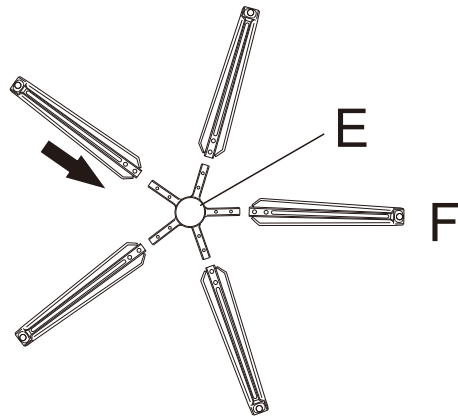


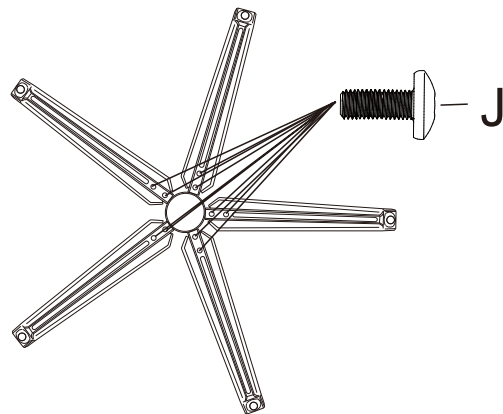
# ASSEMBLY INSTRUCTION

<b>A*1</b> 	<b>B*1</b> 	<b>C*1</b>  R L	<b>D*1</b> 	<b>E*1</b> 	<b>F*5</b> 	<b>G*5</b> 	
<b>H*1</b> 	<b>J*10</b>  M6*10mm +1 (spare)	<b>K*4</b>  M8*65mm +1 (spare)	<b>L*3</b>  M8*16mm +1 (spare)	<b>M*2</b> 	<b>N*2</b> 	<b>O*1</b> 	

Step1



Step2



Step3

