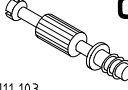
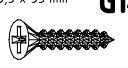
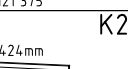

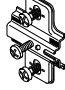

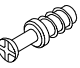
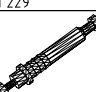



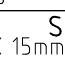



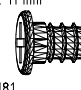

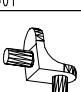



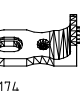
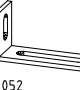
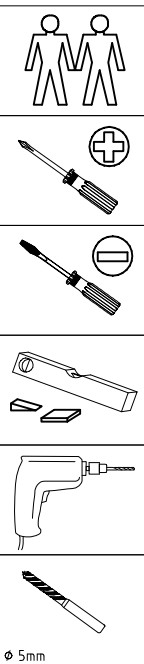
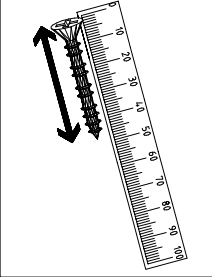
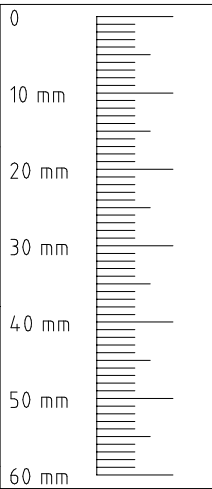
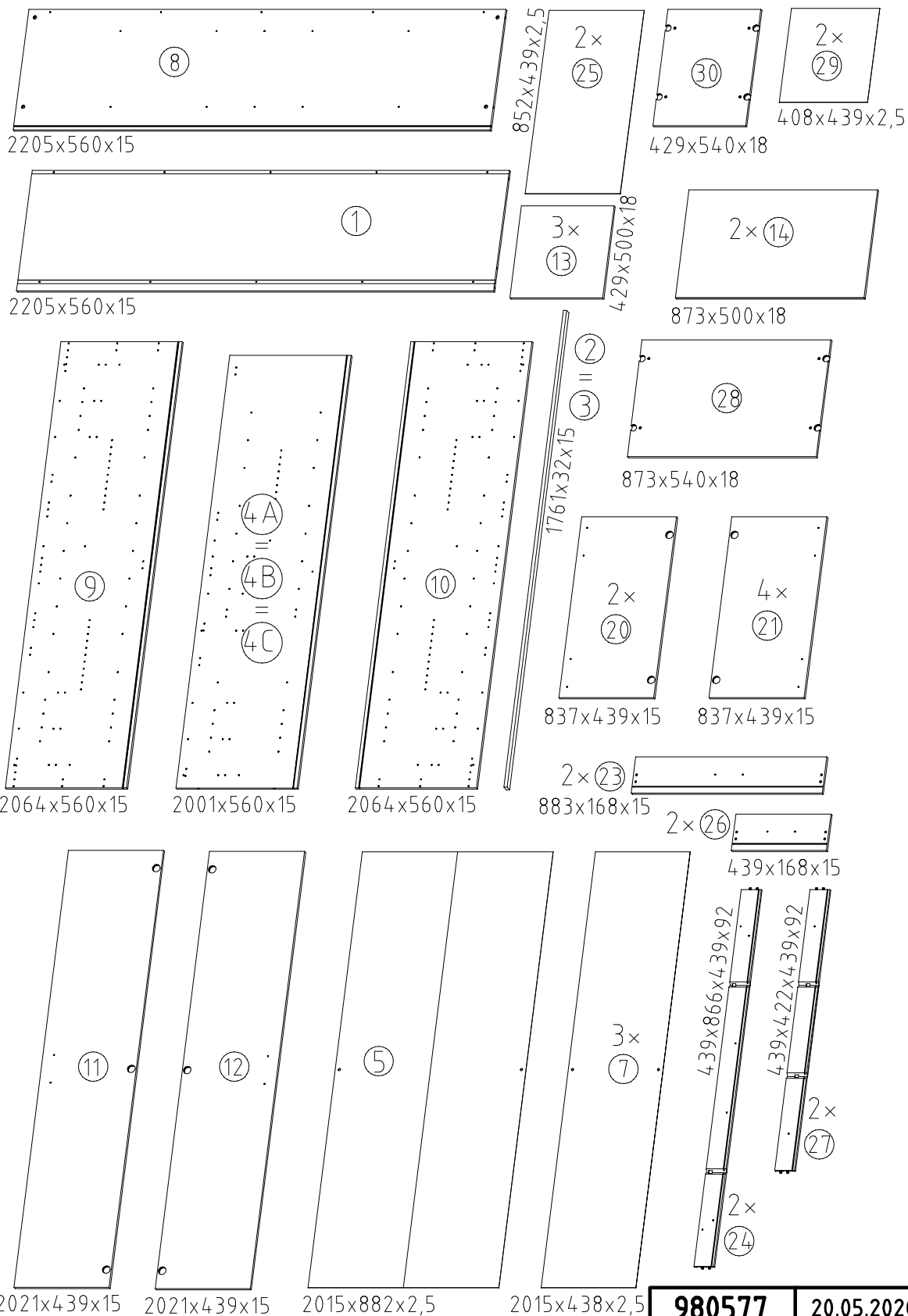
 111 102	A	20x
 111 103 3,5 x 35 mm	C	20x
 121 375	G14	10x
 424mm	K21	2x
 112 403		

 112 268	M	18x
 112 267	N	18x
 111 229	F	4x
 111 235	E	2x

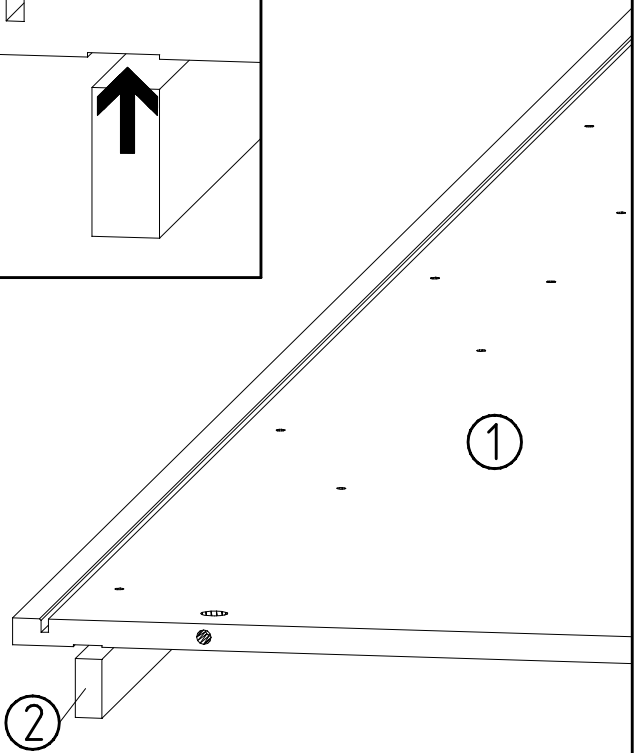
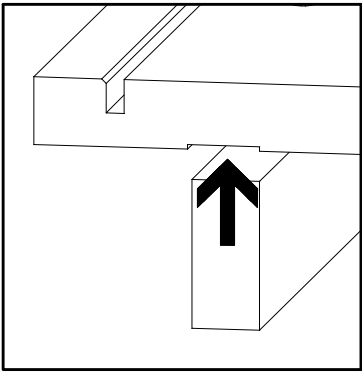
 112 190	Y20	8x
 M6 x 10	T3	16x
 M4 x 9 mm	G8	8x
 111 015		8x
 4 X 15mm	SP15	1x
 121 120		

 3,5 x 15 mm	G1	12x
 M6 x 11 mm	T6	8x
 117 001	K1	4x
 111 610	L7	24x

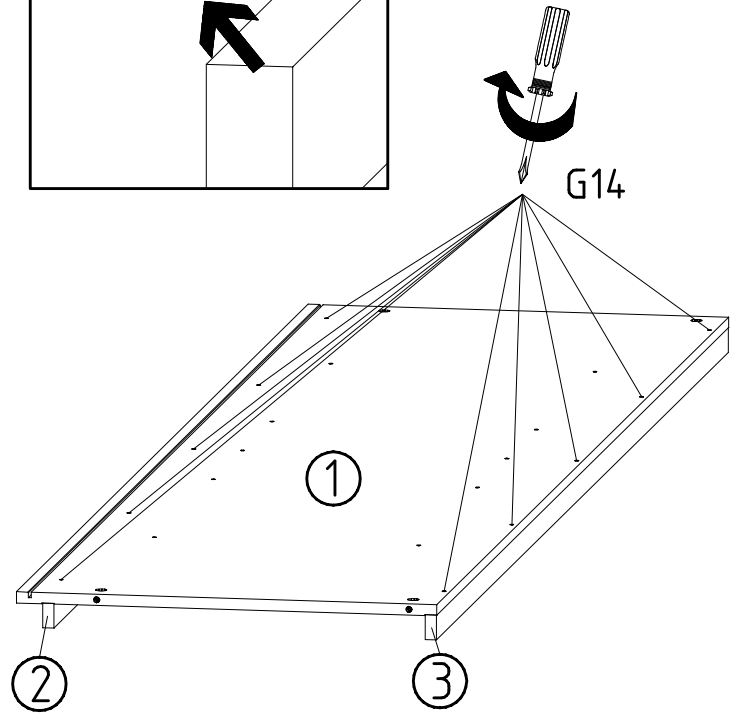
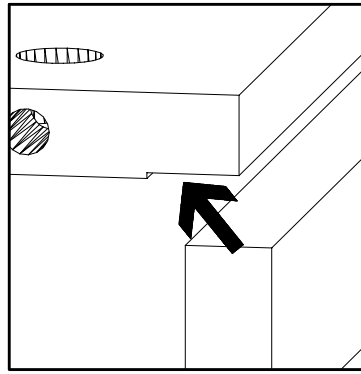
 111 252	VB23	8x
 163 007	Z	4x
	SBV	4x
 111 174	J1	9x
 111 052	o10	1x



1

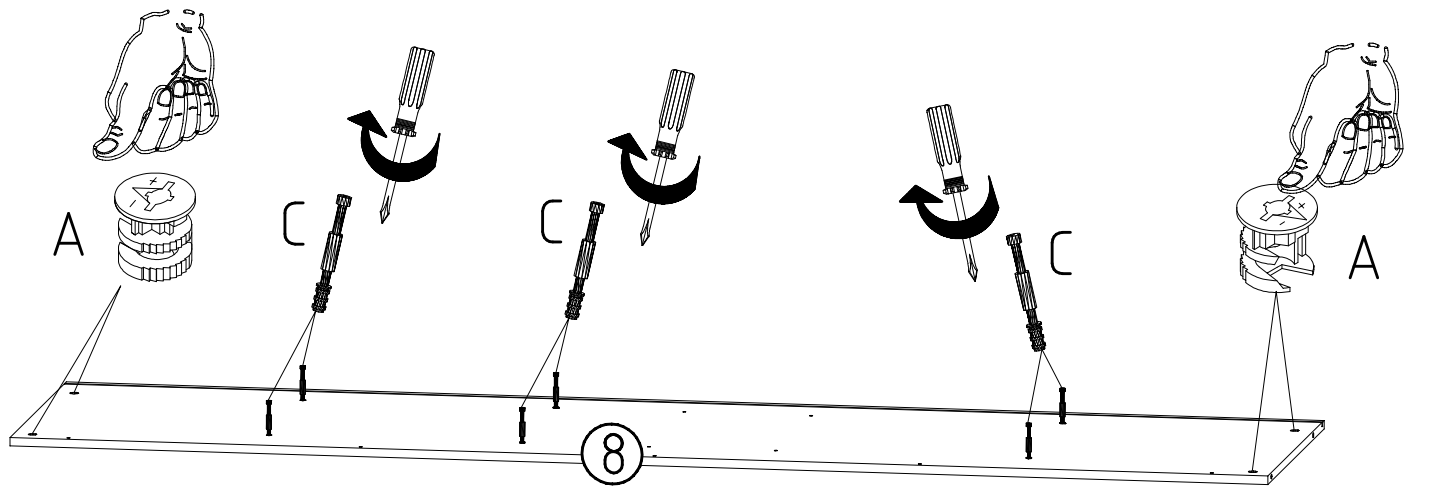
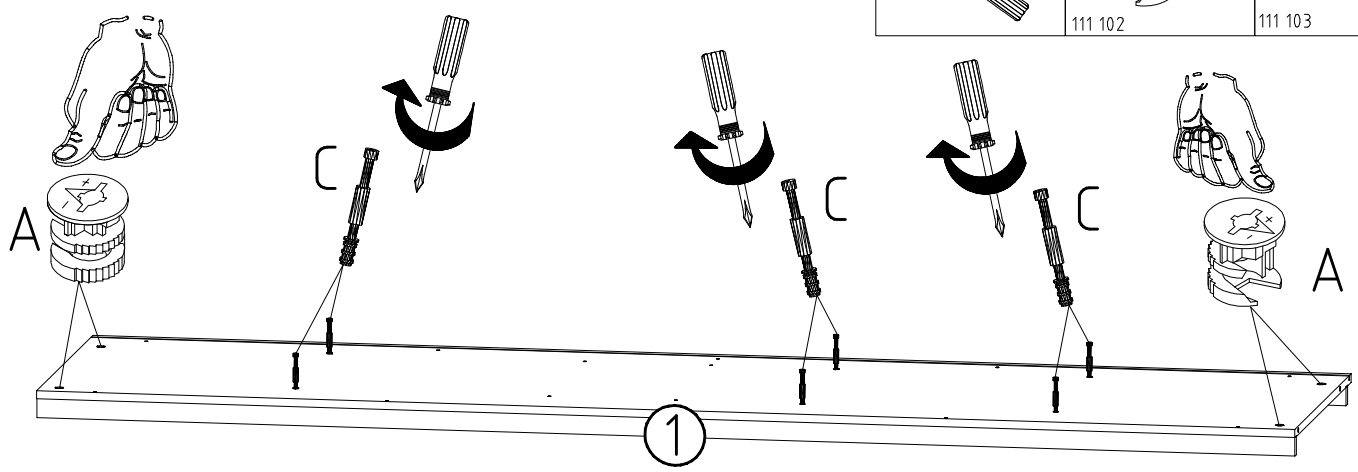
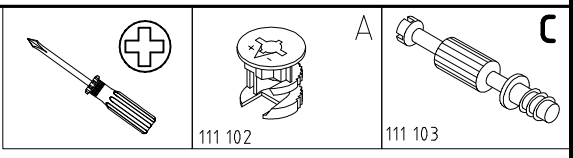


2

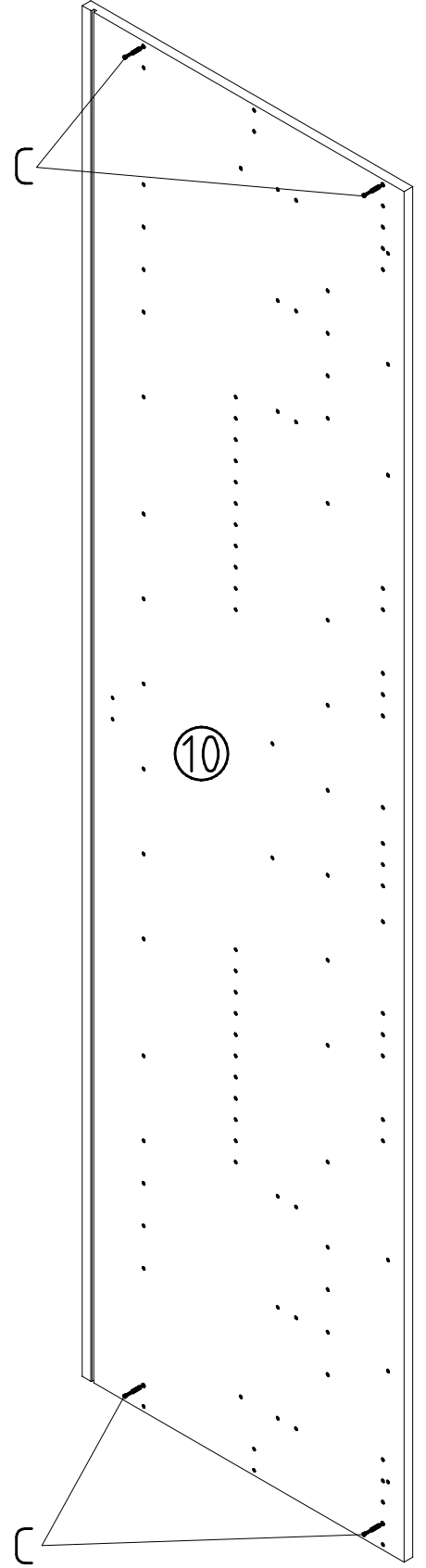
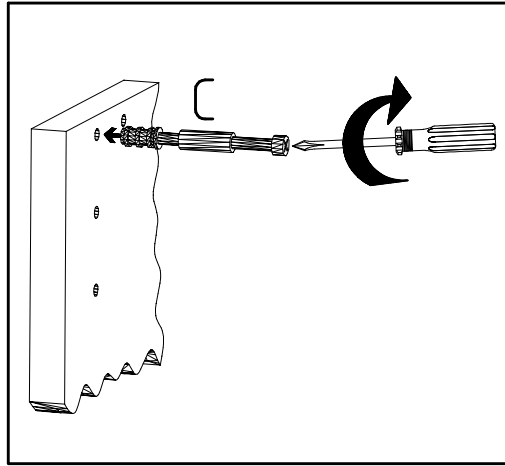
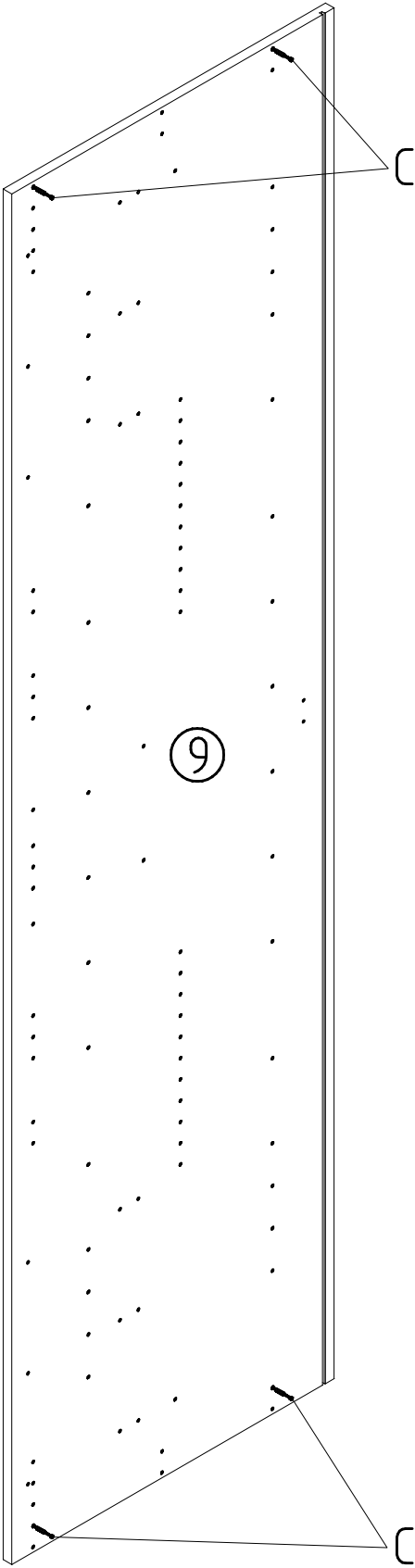
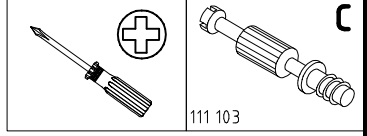


3,5 x 35 mm **G14**
121 375

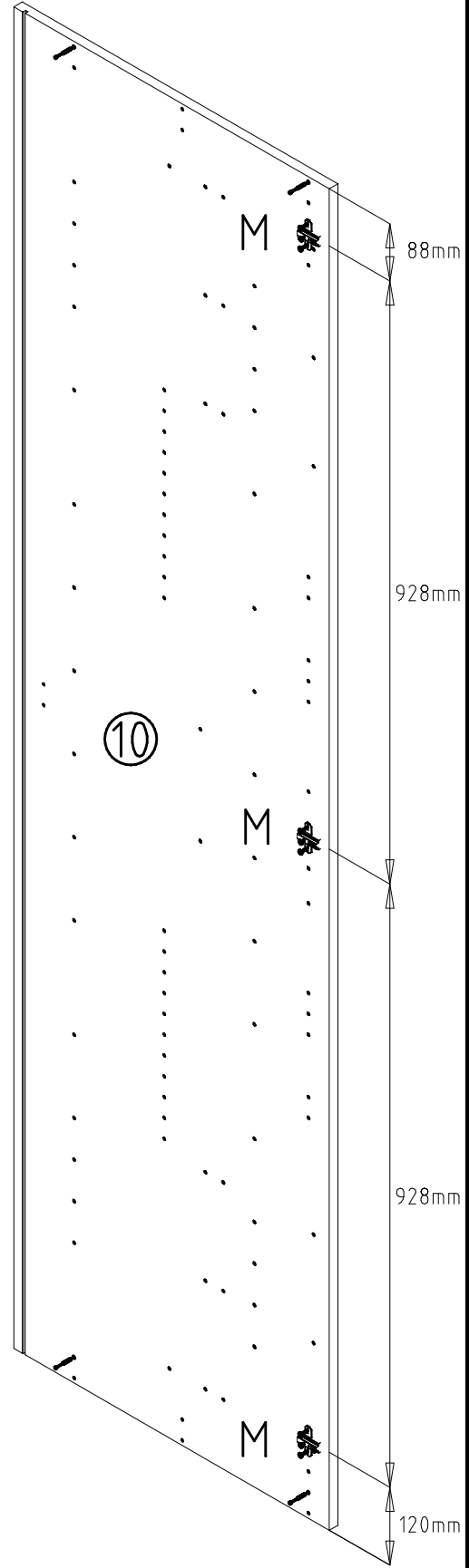
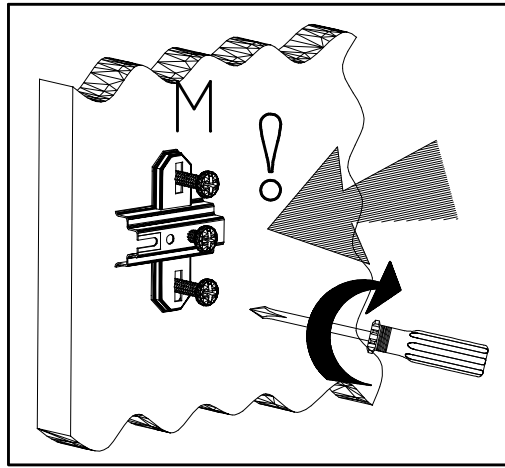
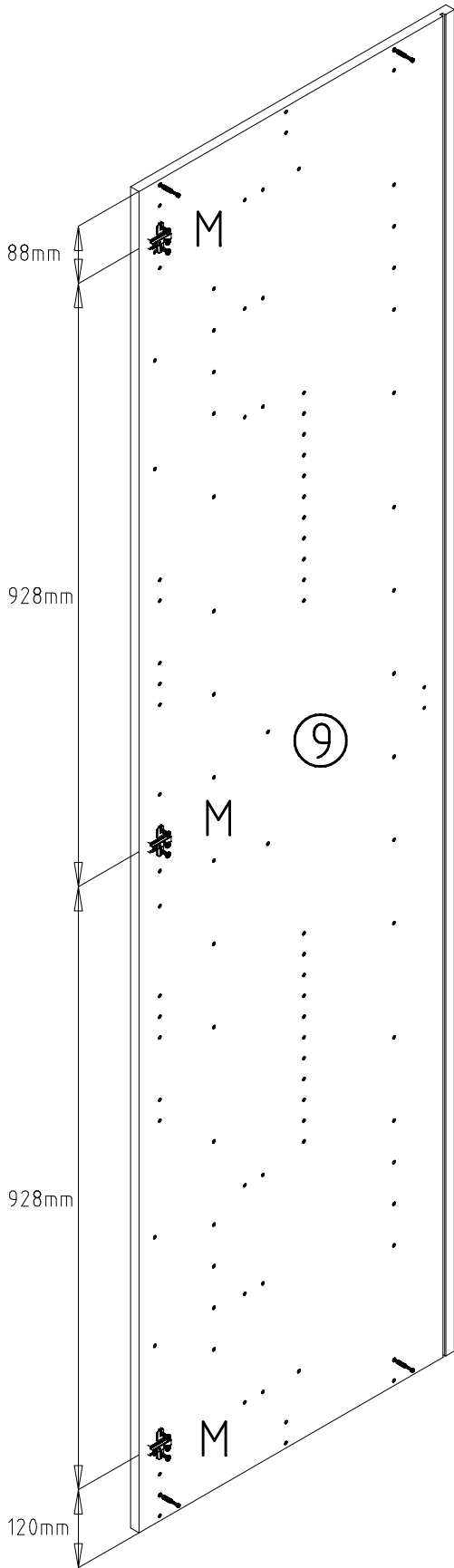
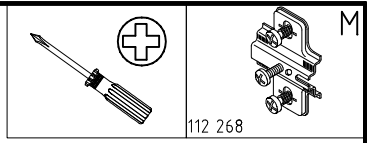
3

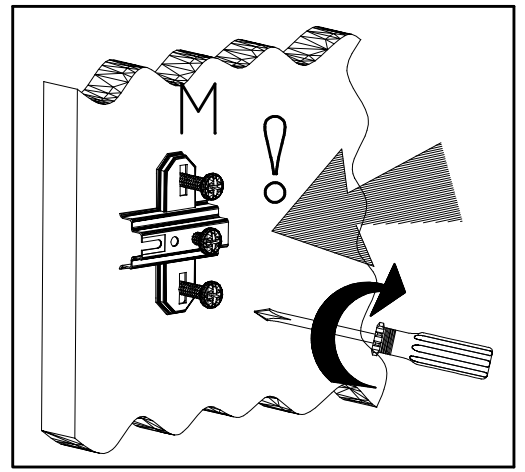
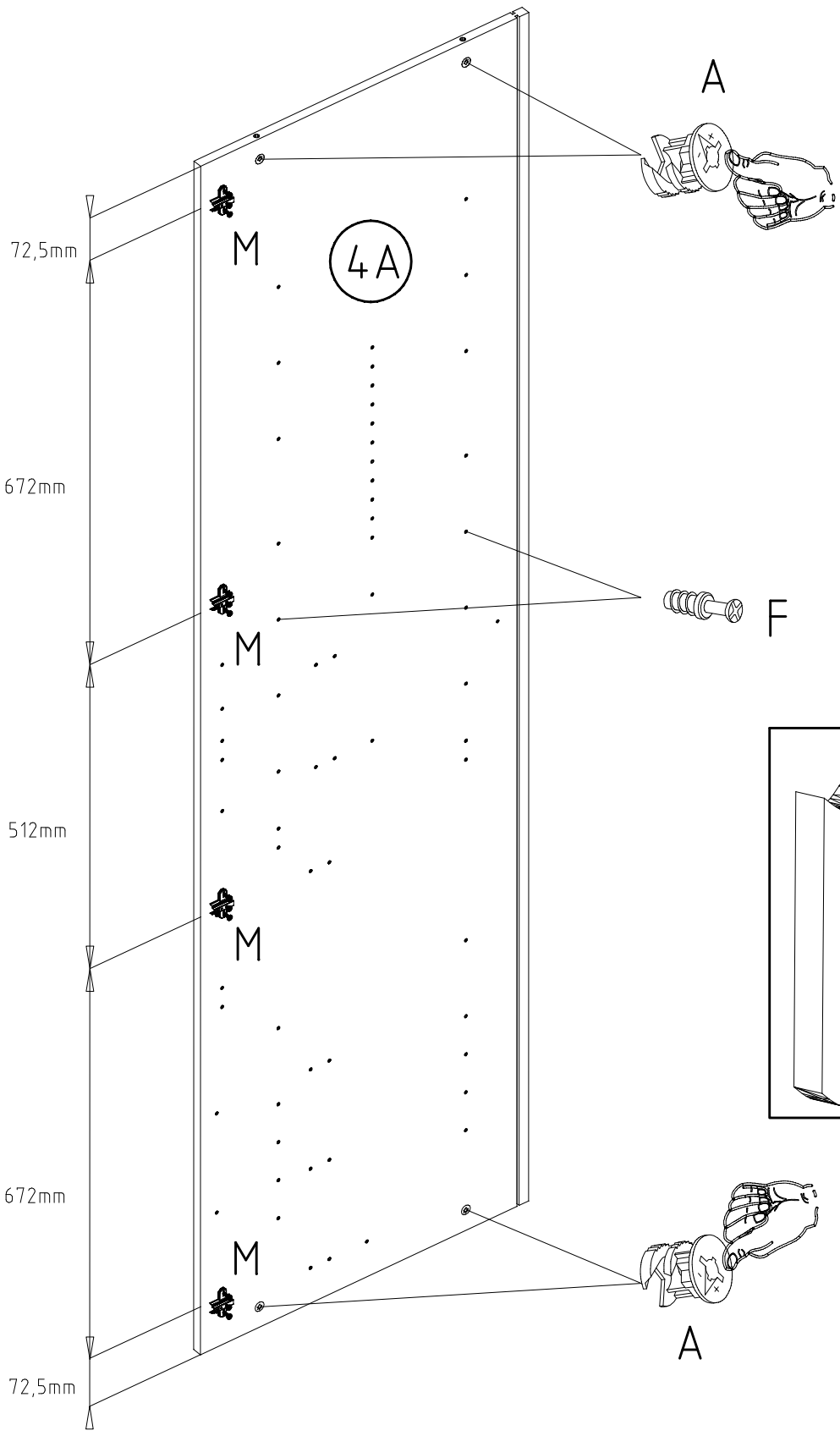
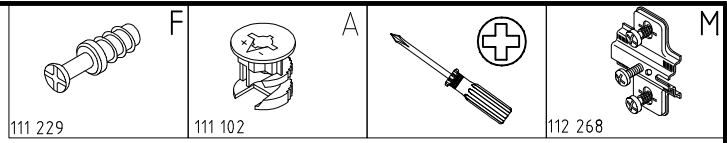


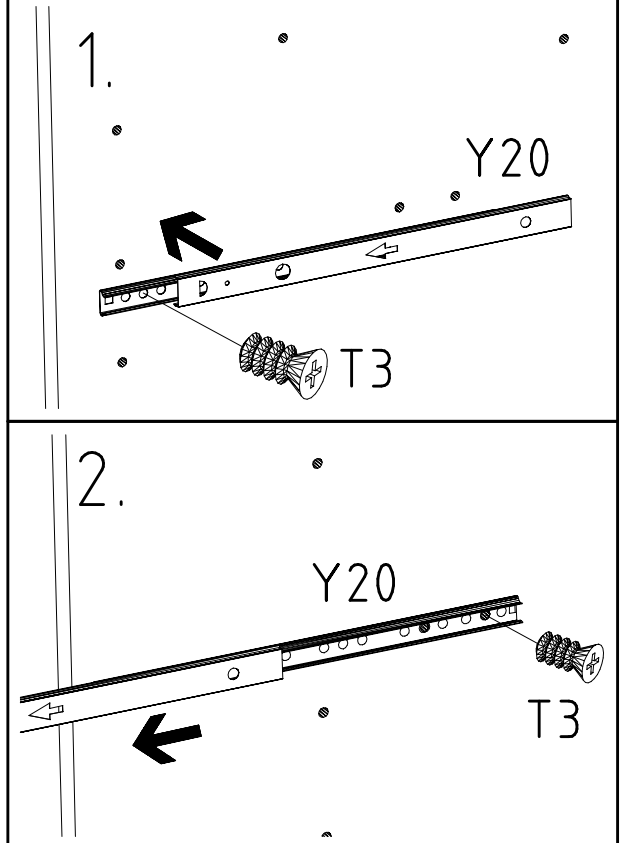
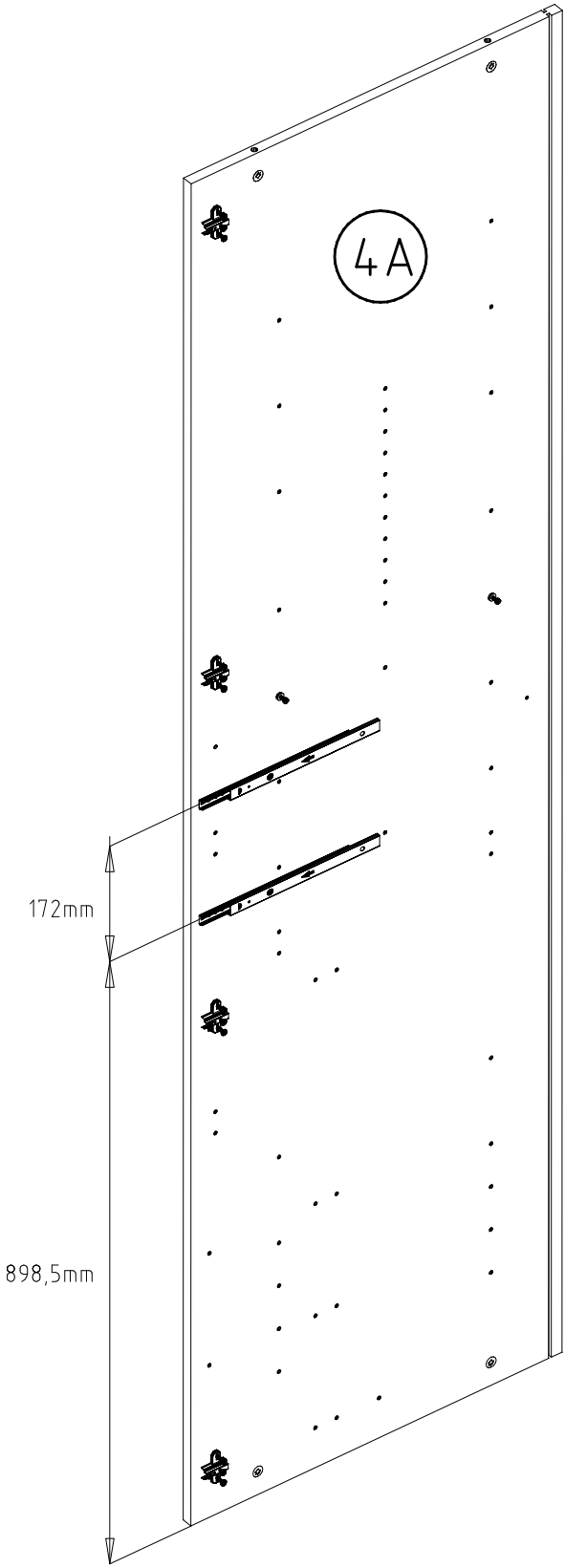
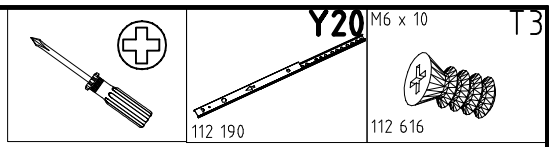
4+

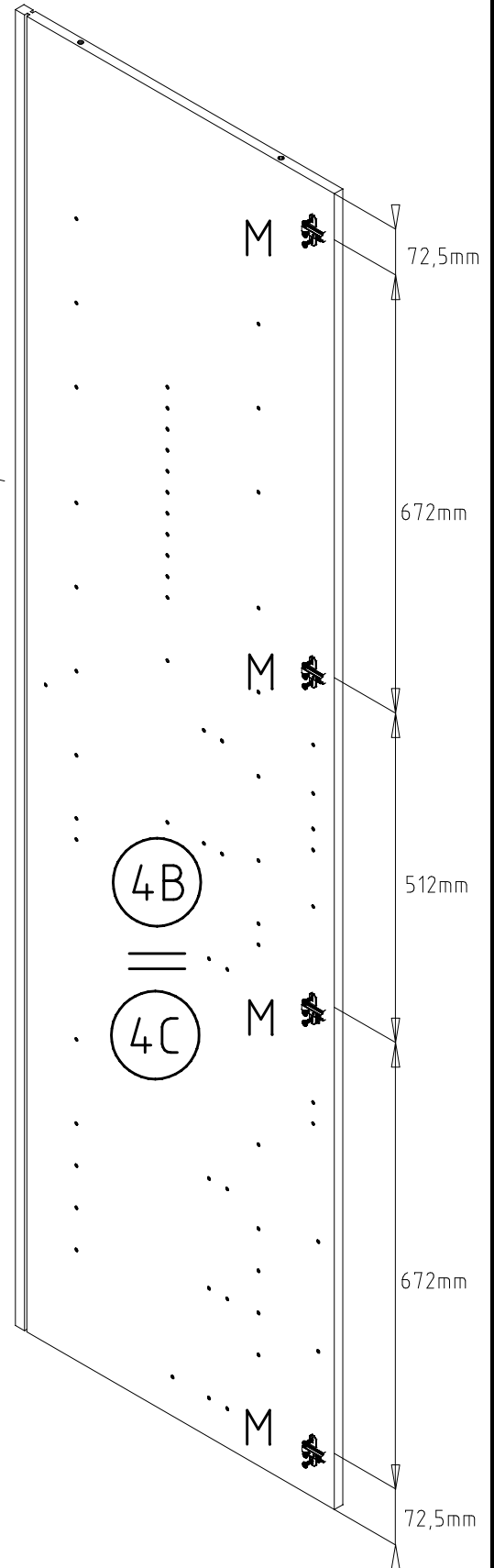
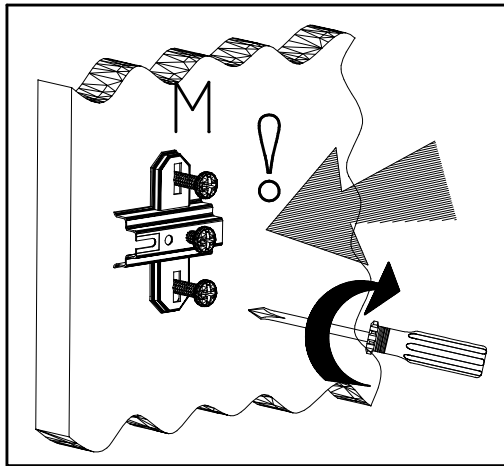
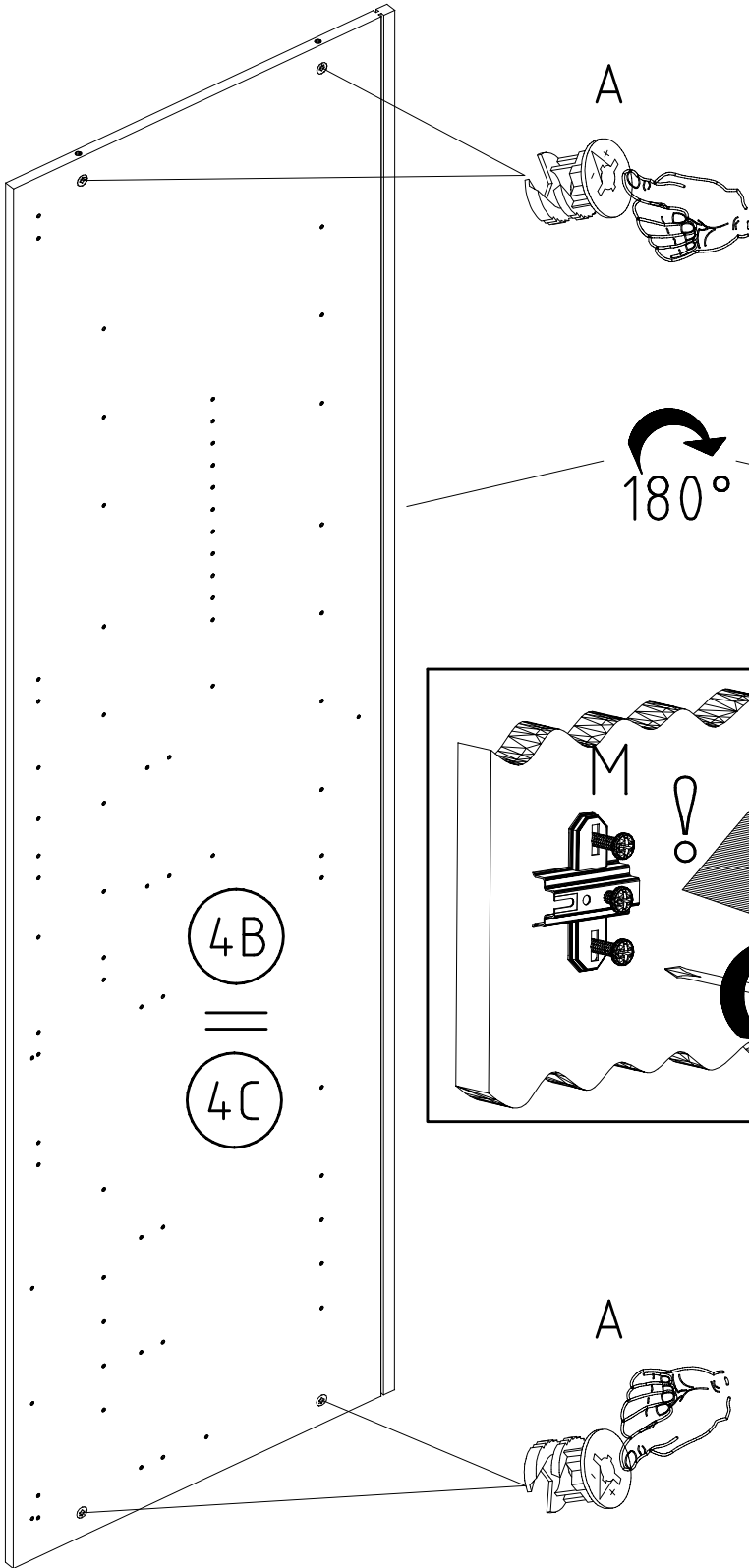


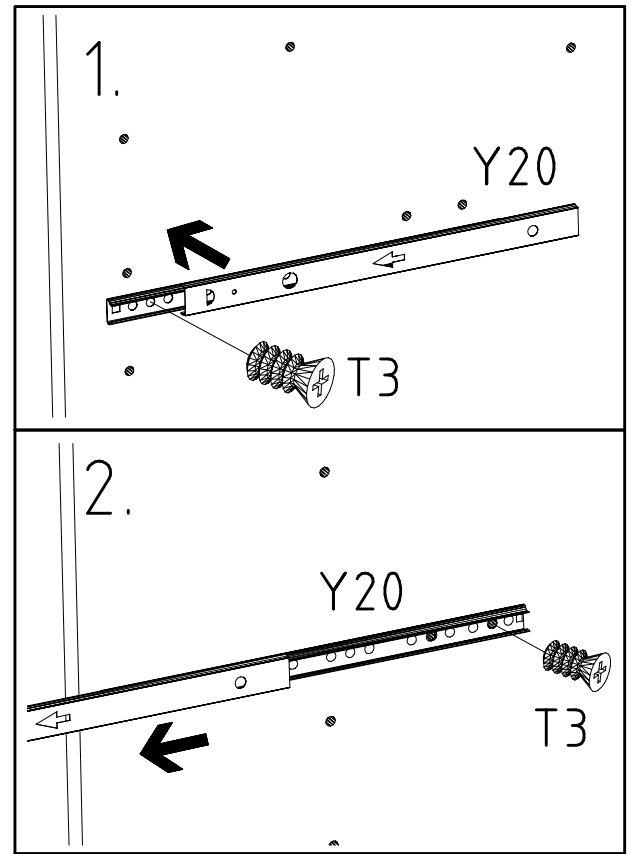
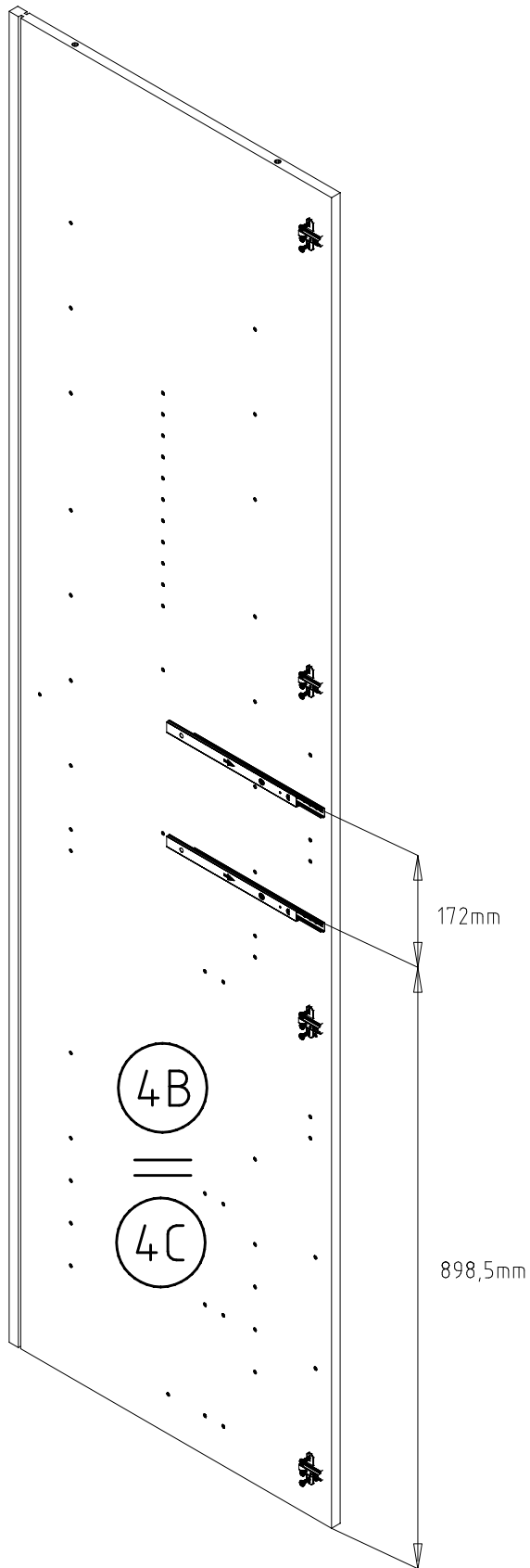
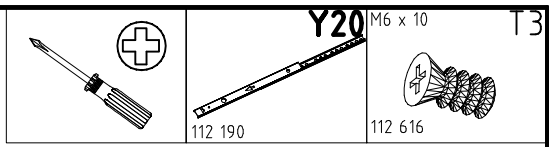
5

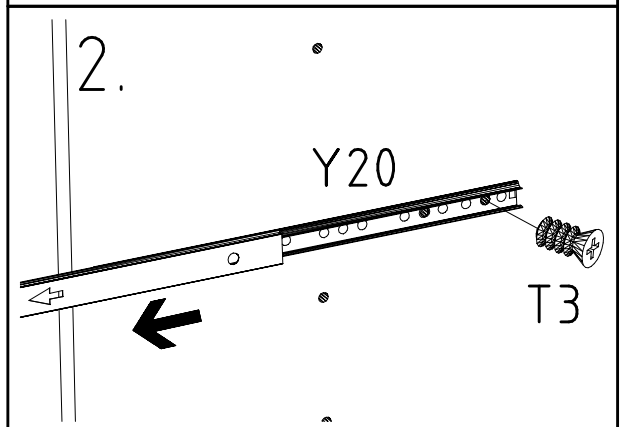
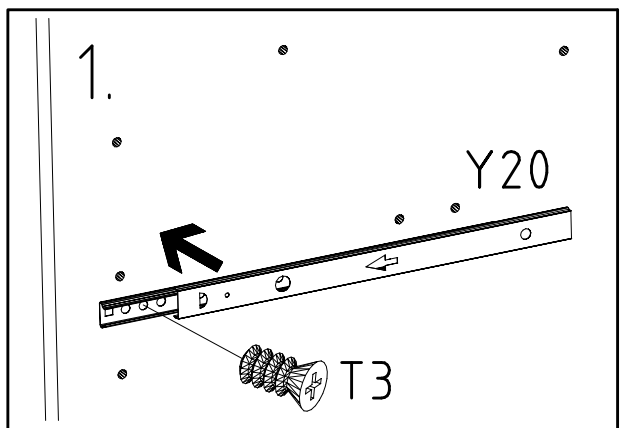
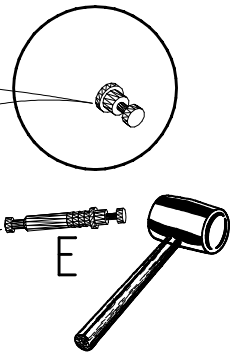
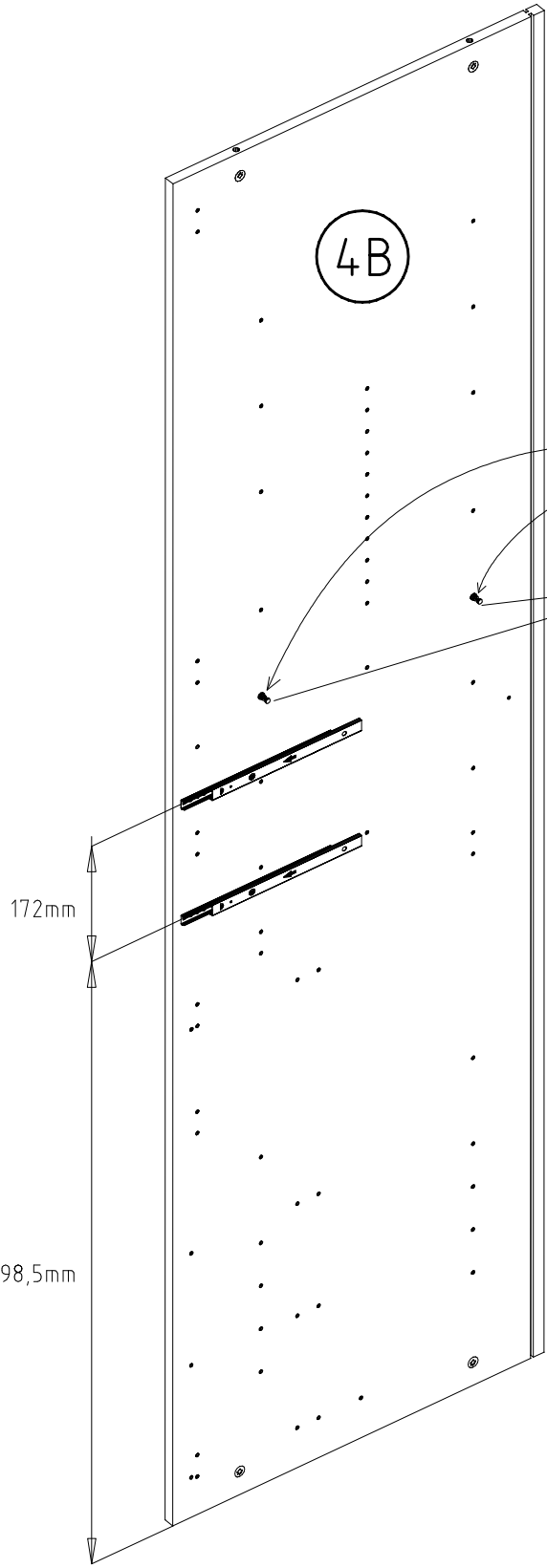
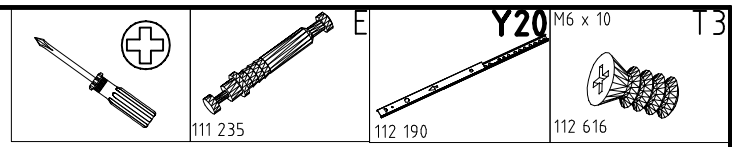


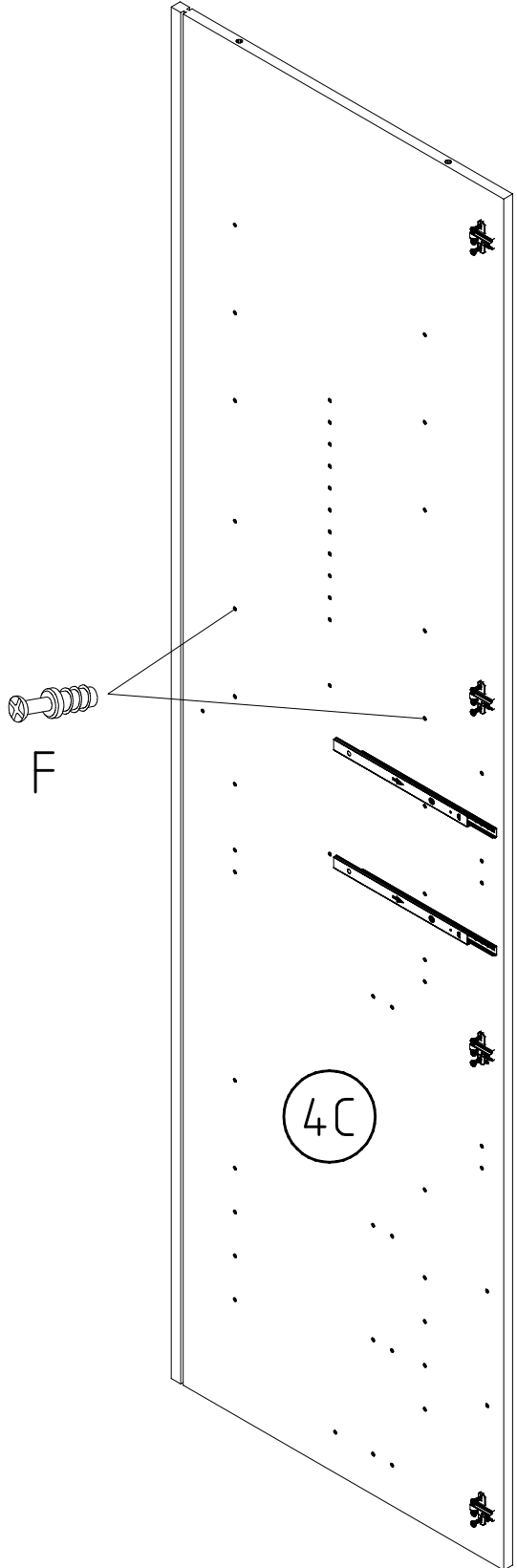




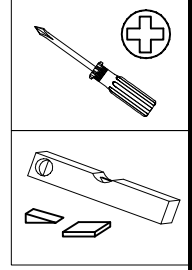
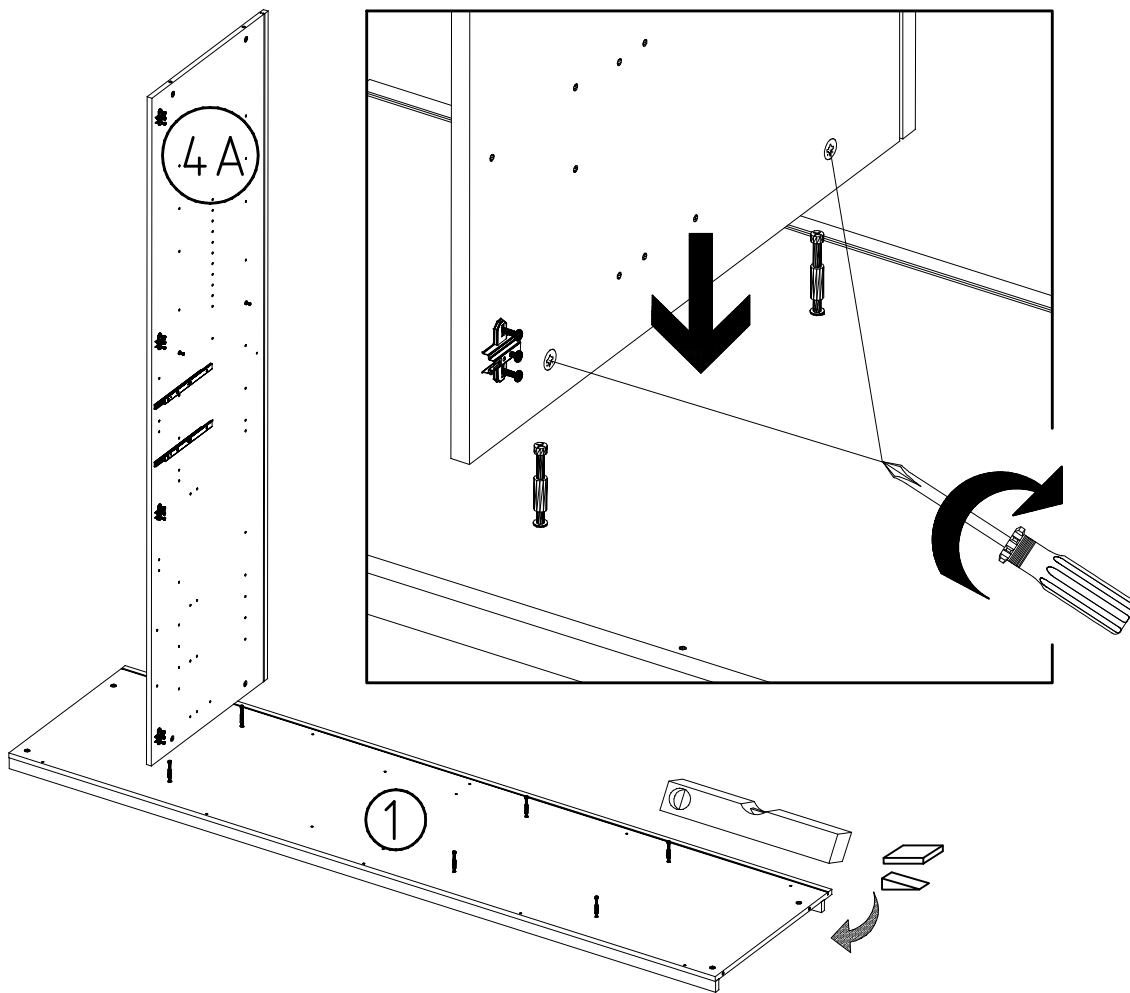




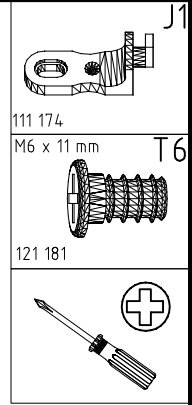
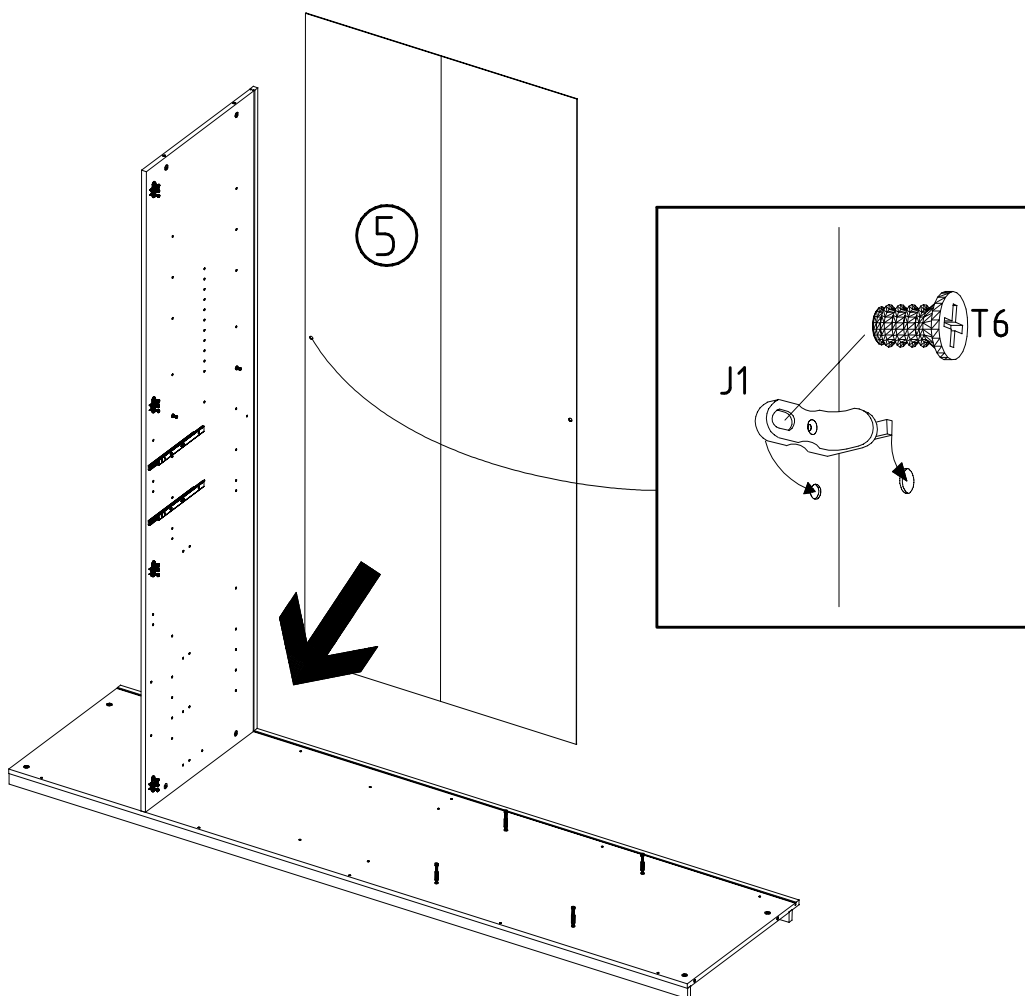




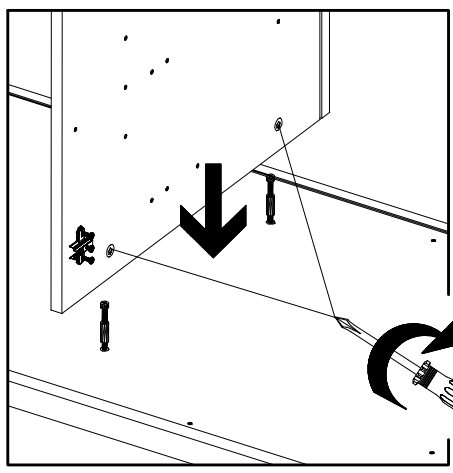
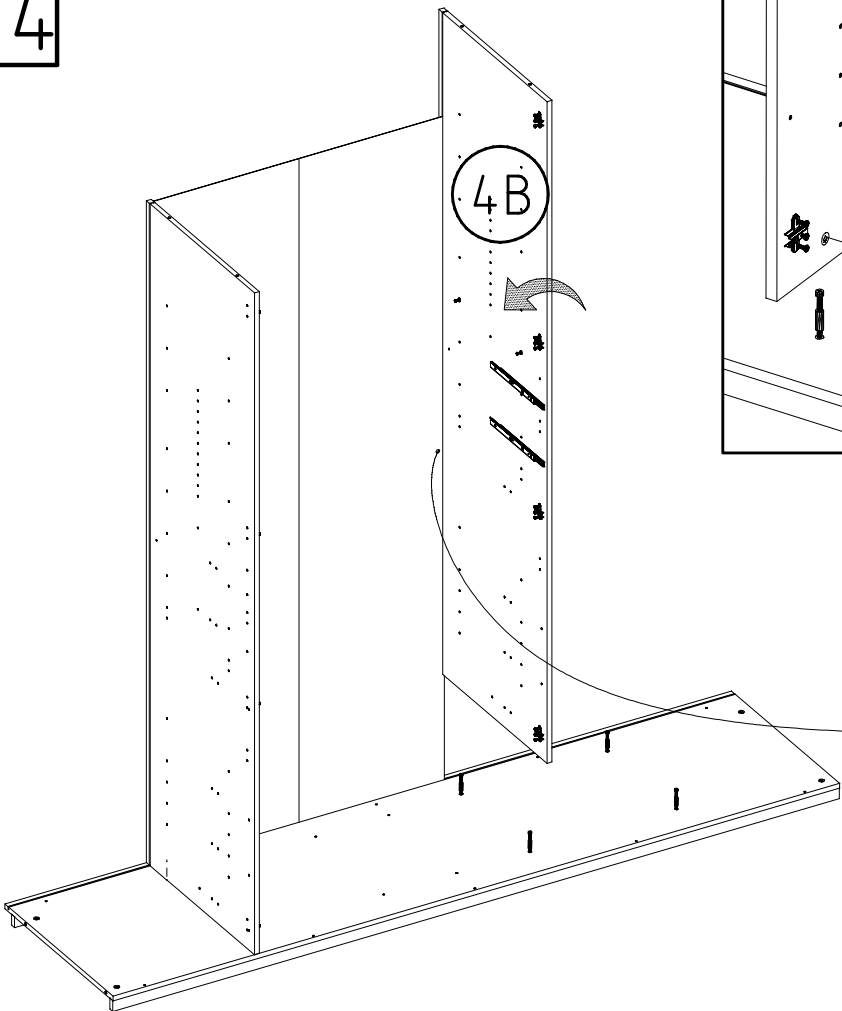
12



13



14



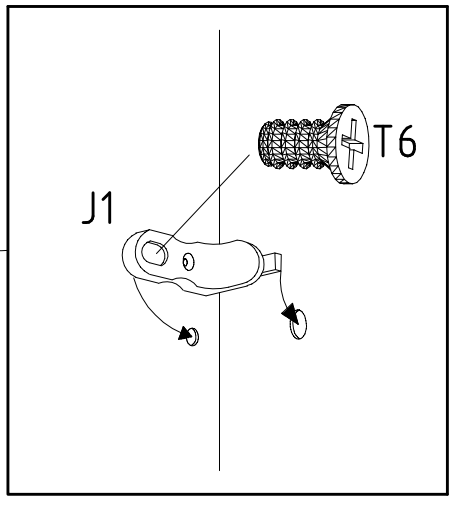
J1

111 174

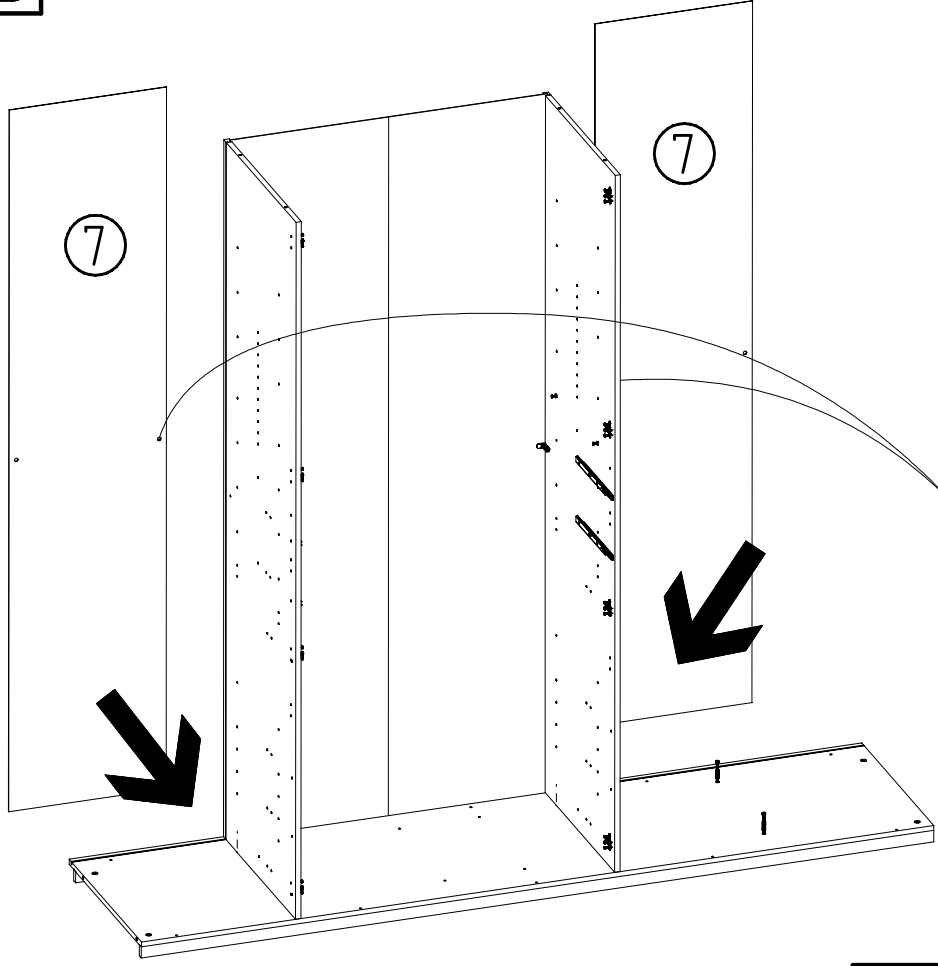
M6 x 11 mm

T6

121 181



15



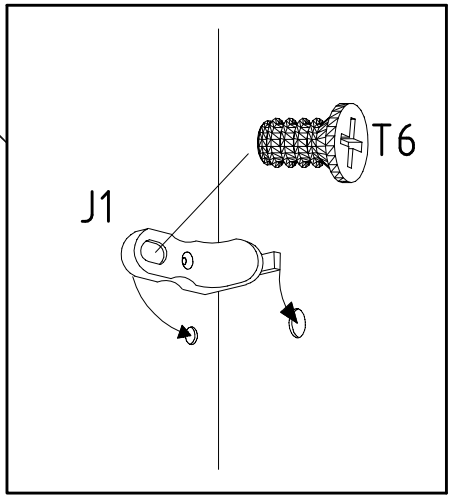
J1

111 174

M6 x 11 mm

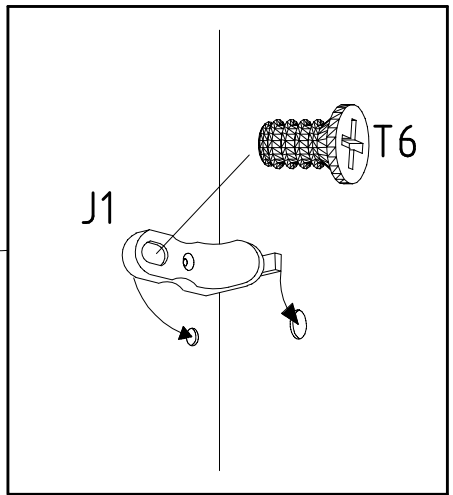
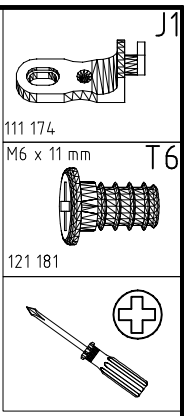
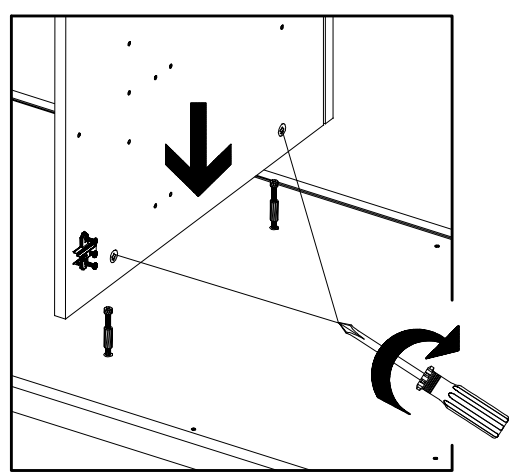
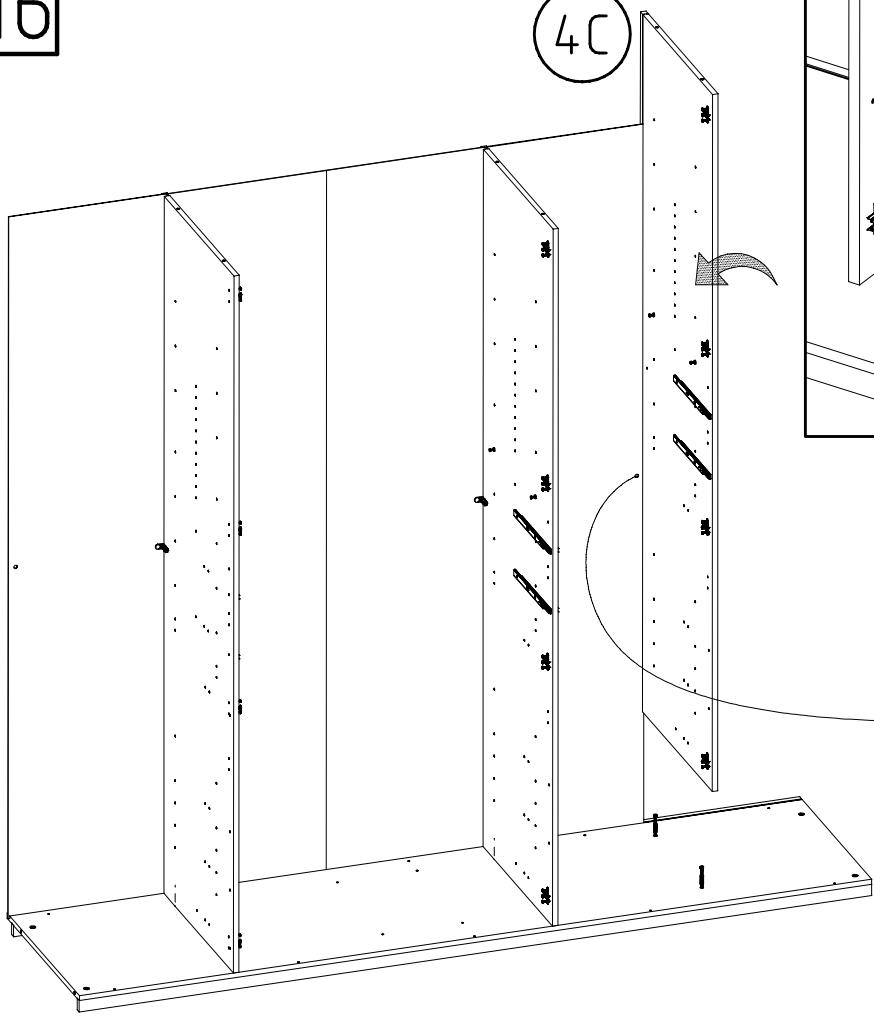
T6

121 181



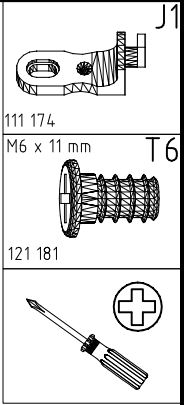
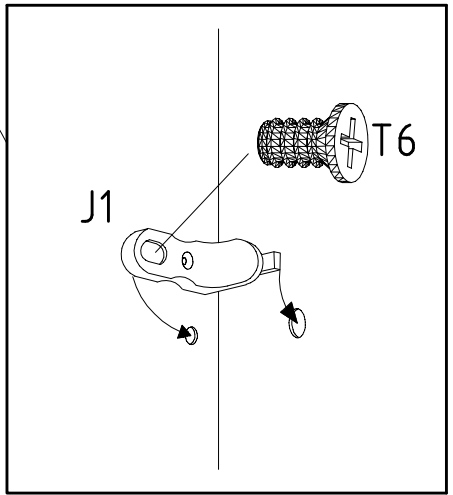
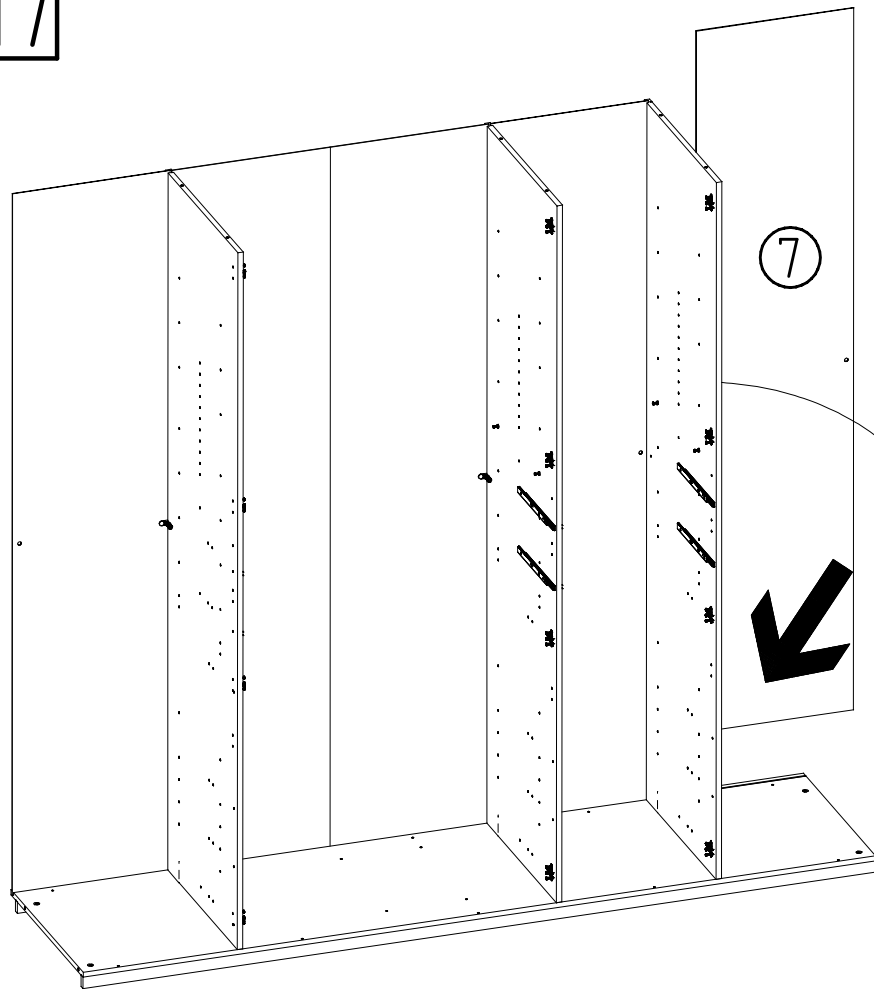
16

4C



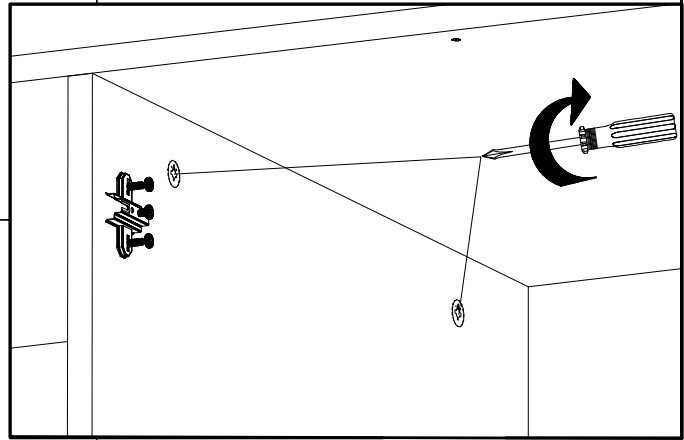
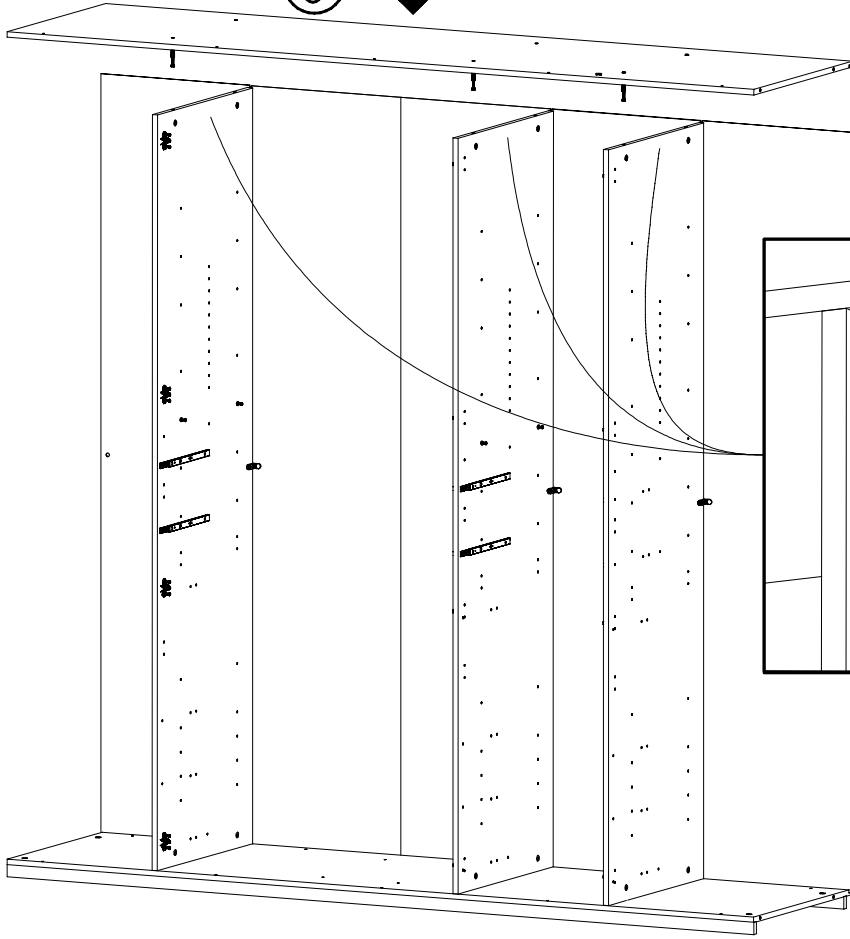
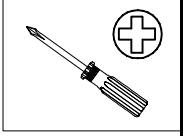
17

7

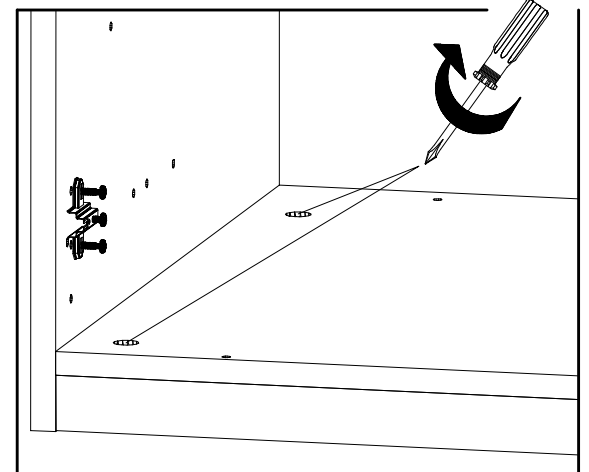
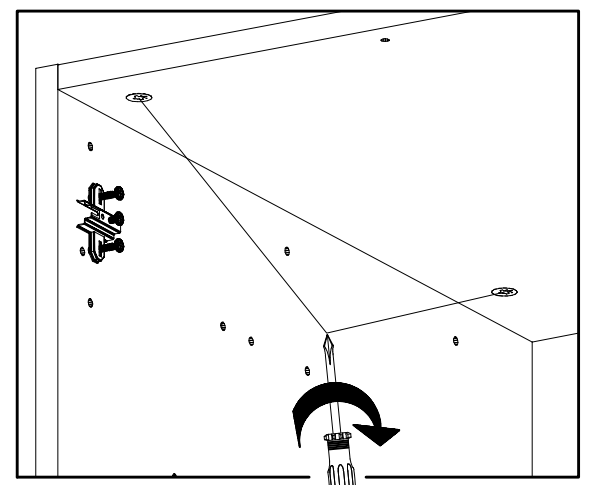
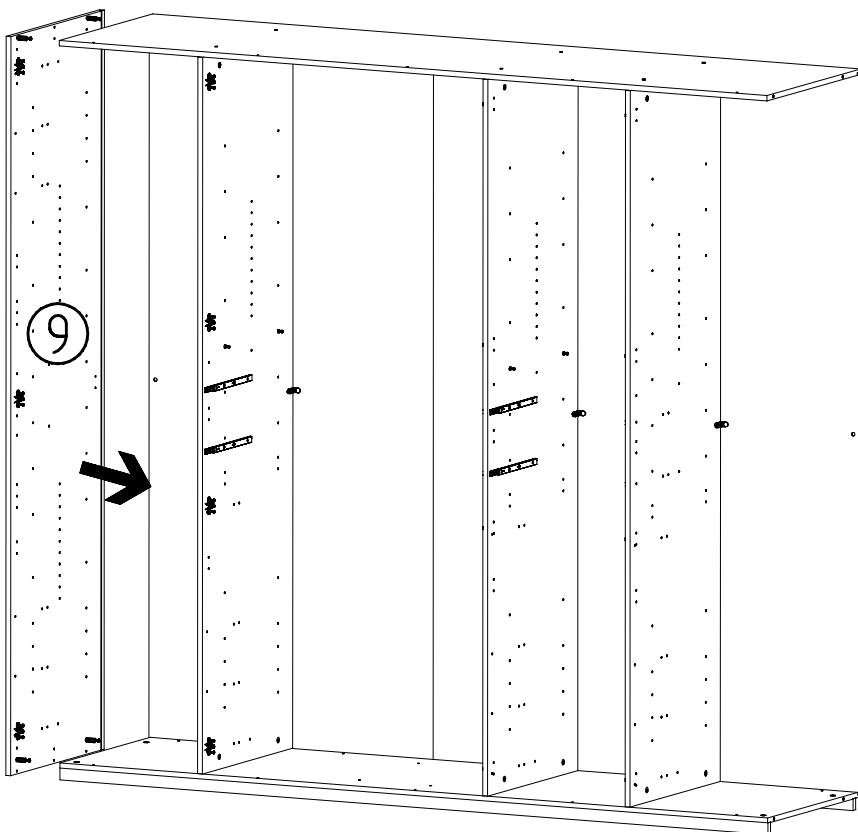
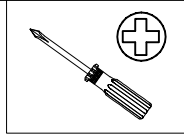


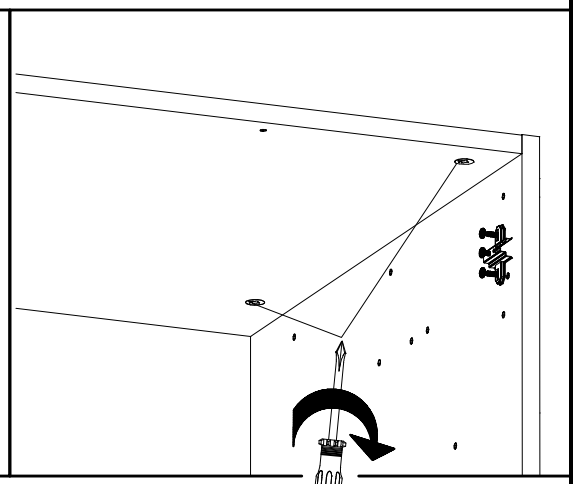
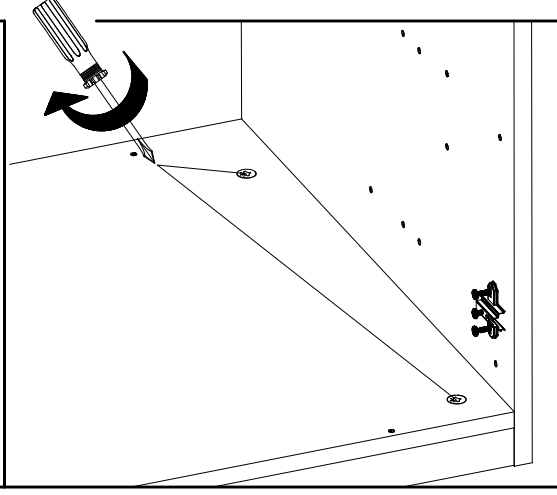
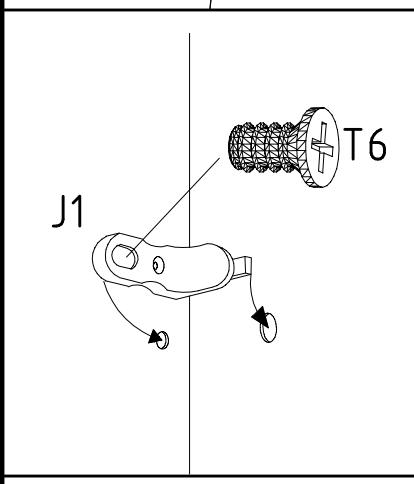
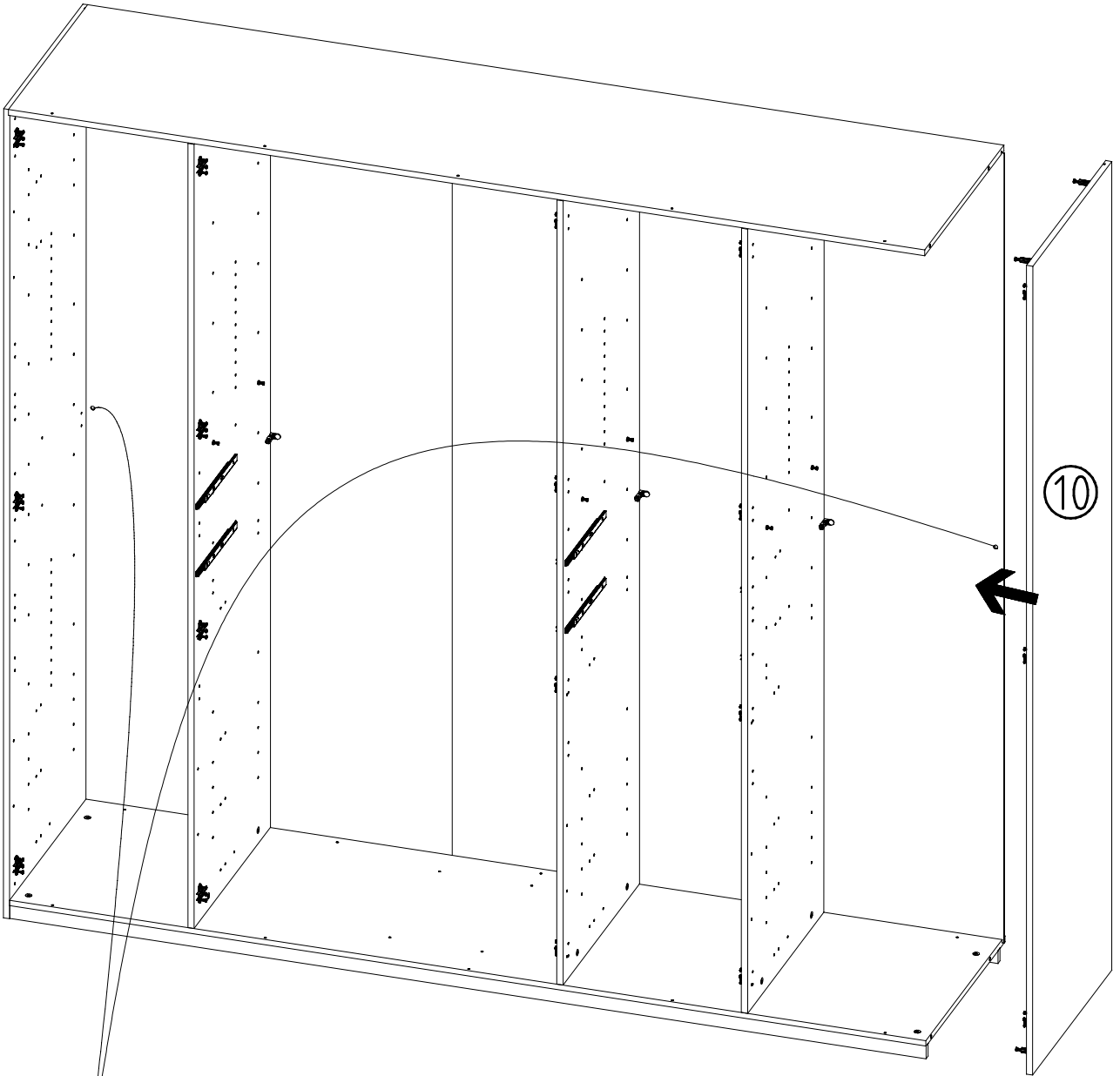
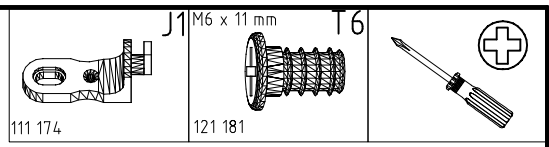
18

8


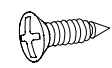
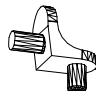
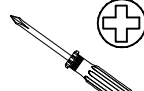


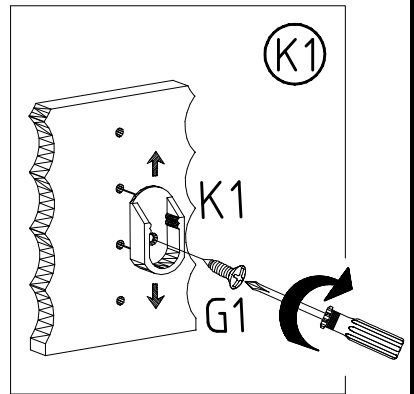
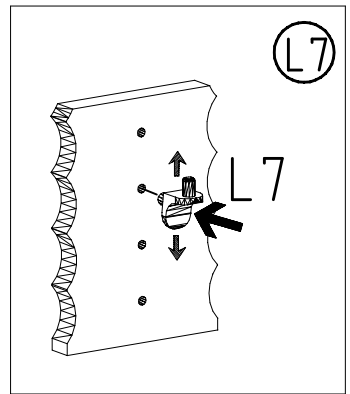
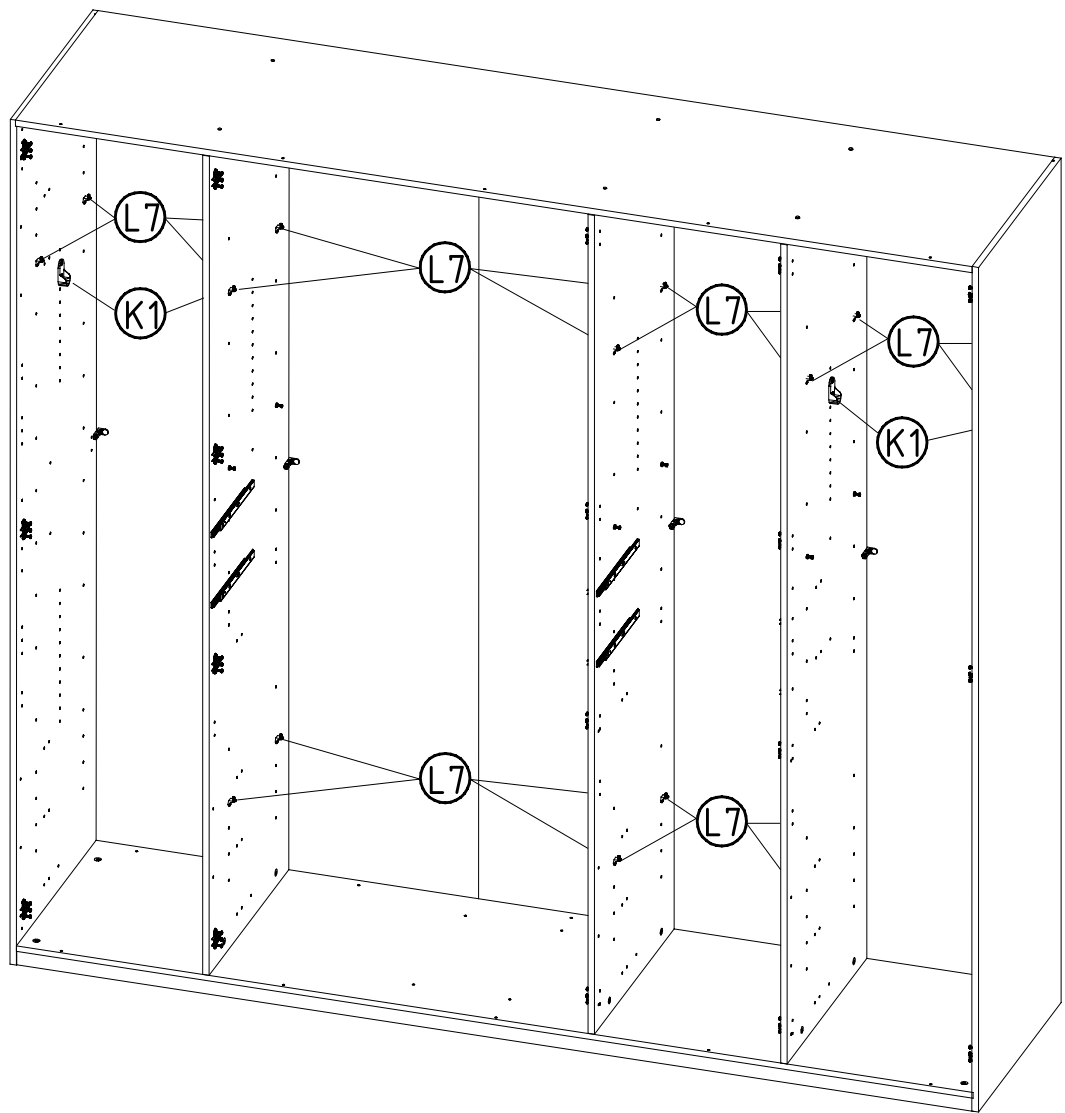
19



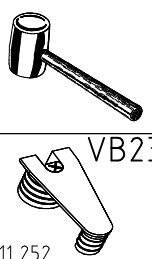


21

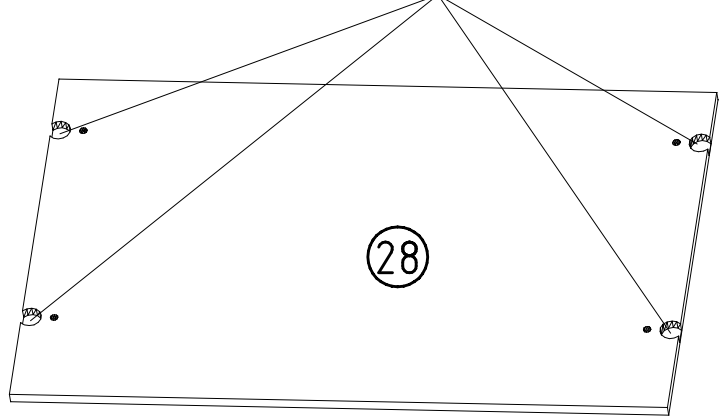
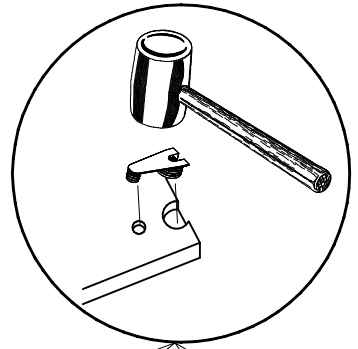
 K1 117 001	 3,5 x 15 mm G1 121 370	 L7 111 610	
---------------------------------------------------------------------------------------------------	--------------------------------------------------------------------------------------------------------------------	-----------------------------------------------------------------------------------------------------	------------------------------------------------------------------------------------



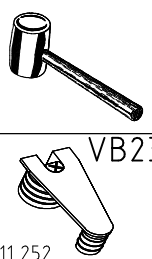
22



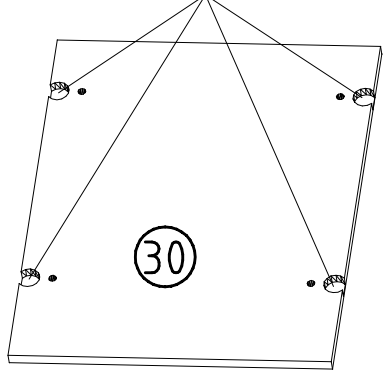
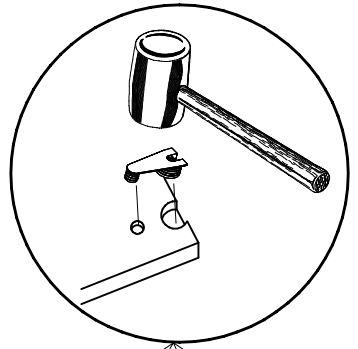
111 252

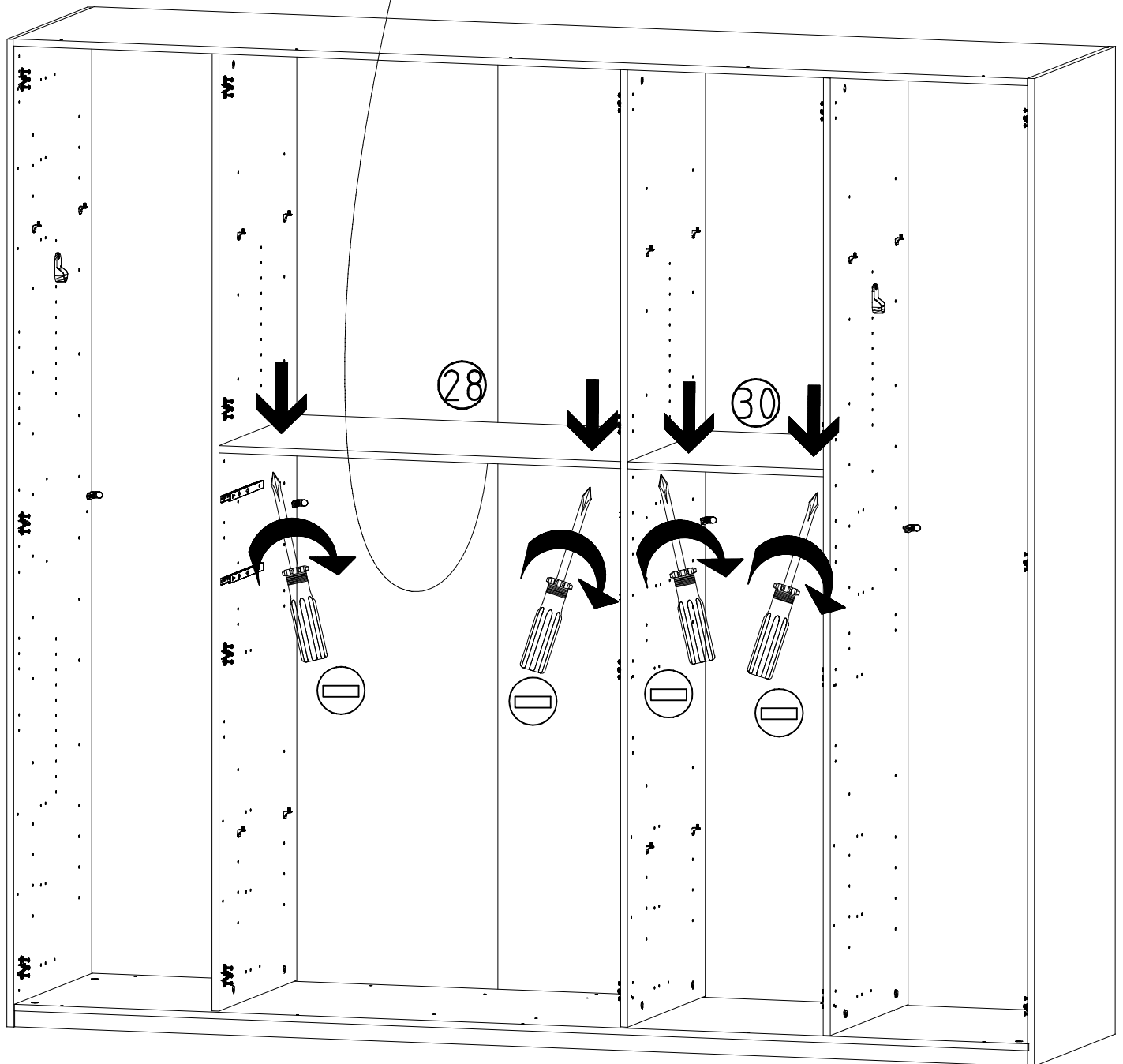
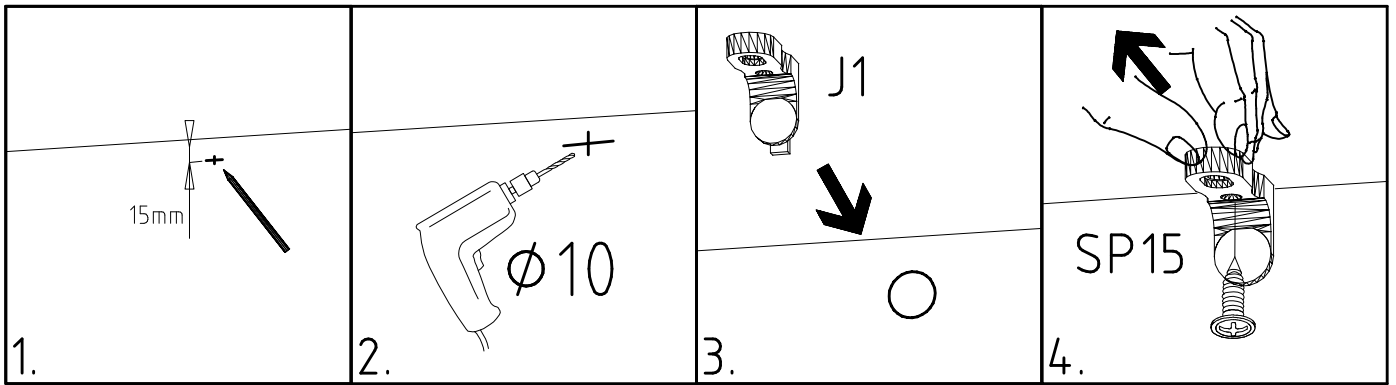
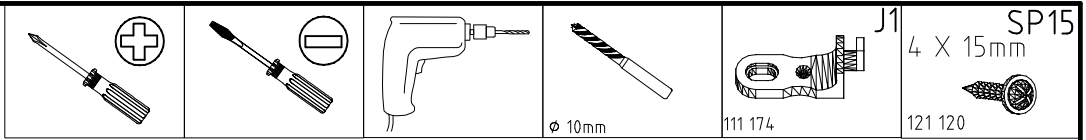


23



111 252





3,5 x 15 mm

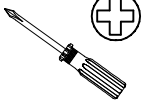
G1

K21

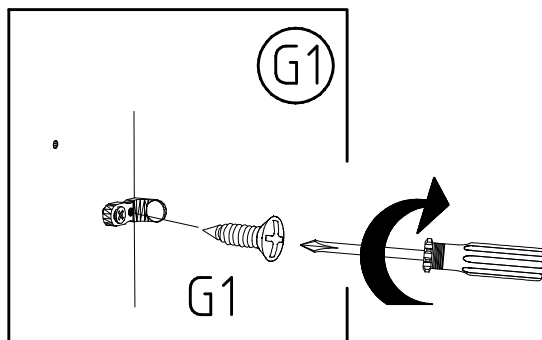
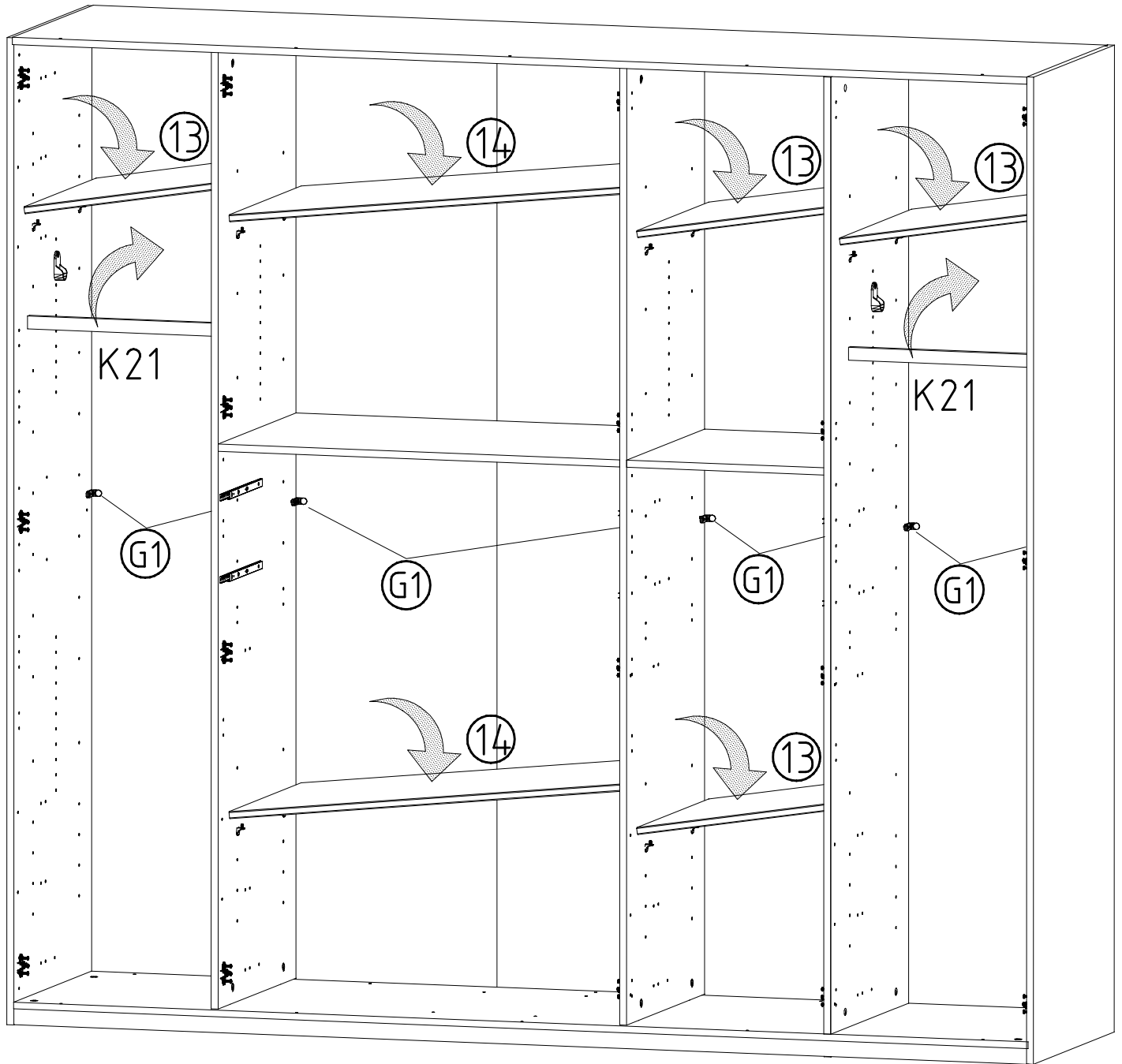


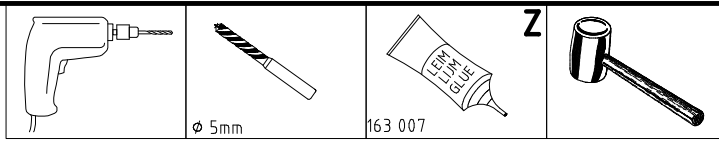
424mm

112 403

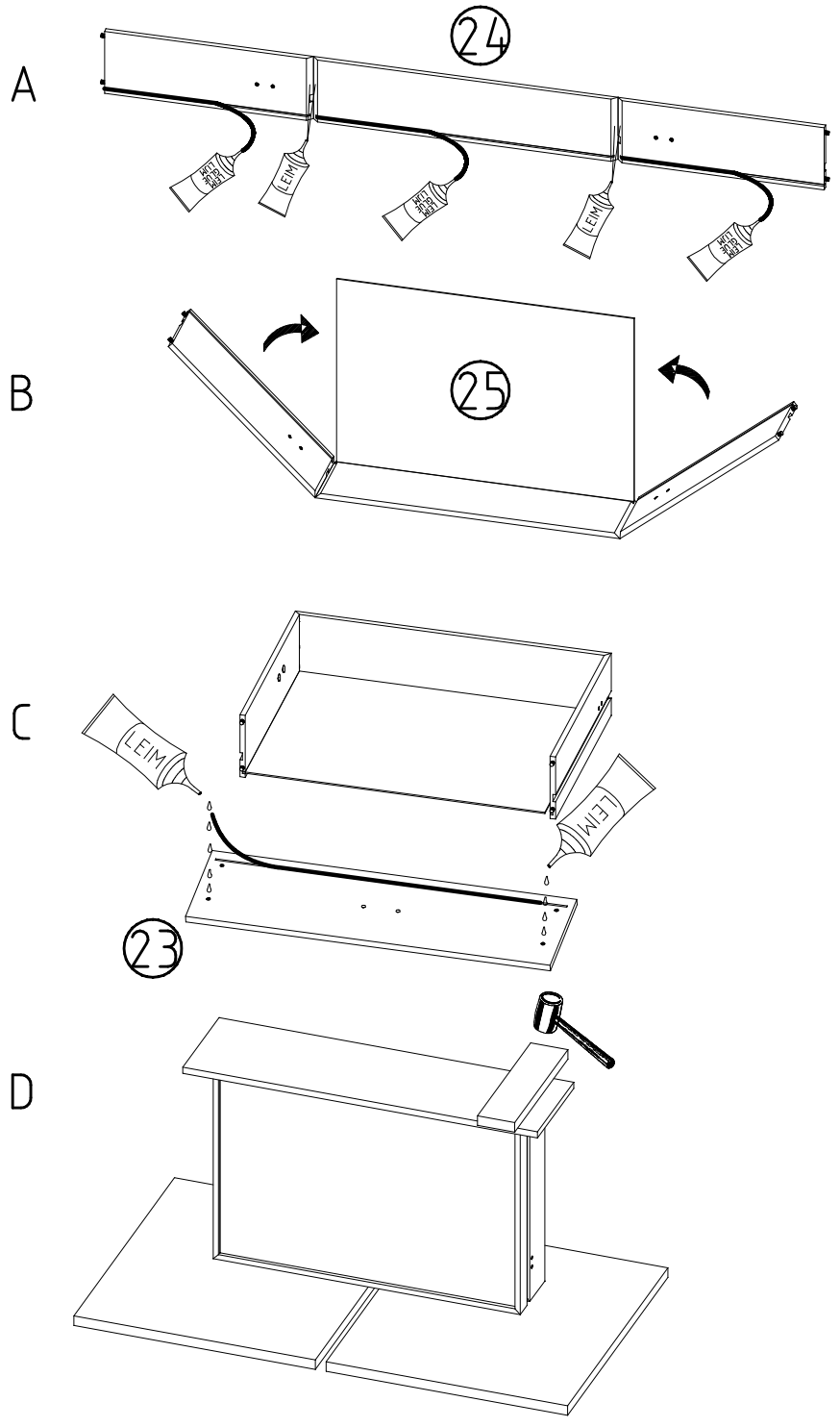
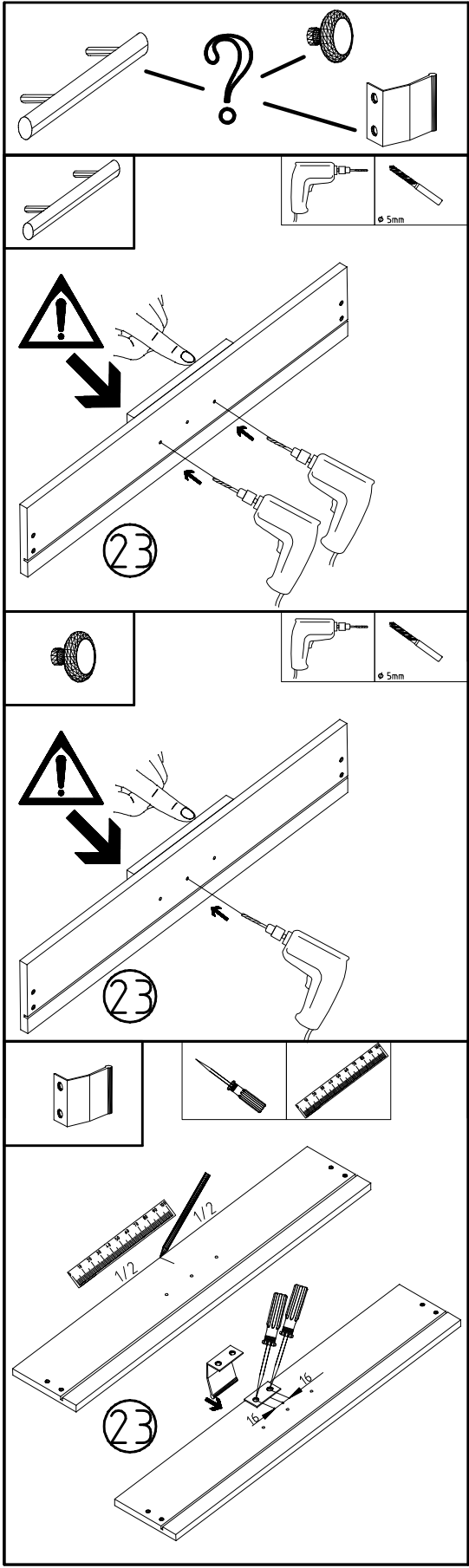


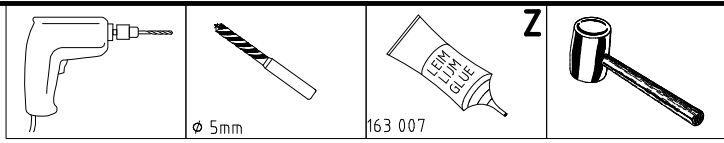
121 370



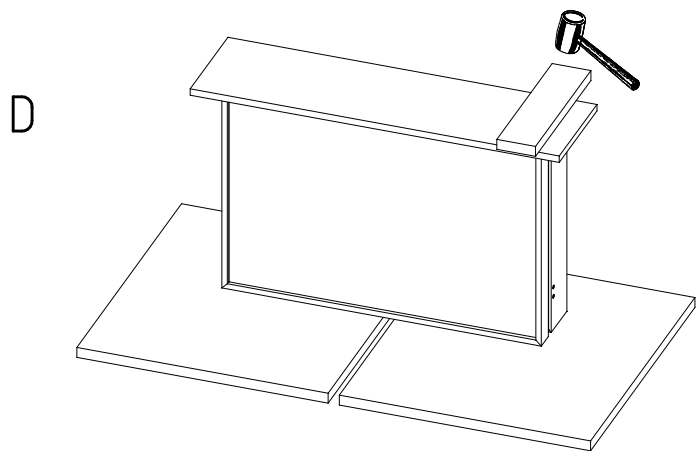
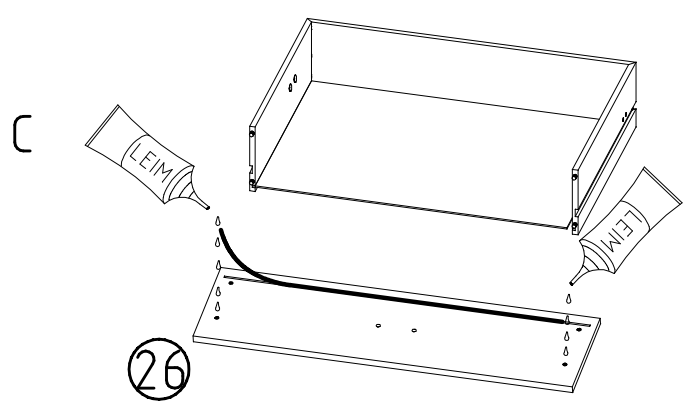
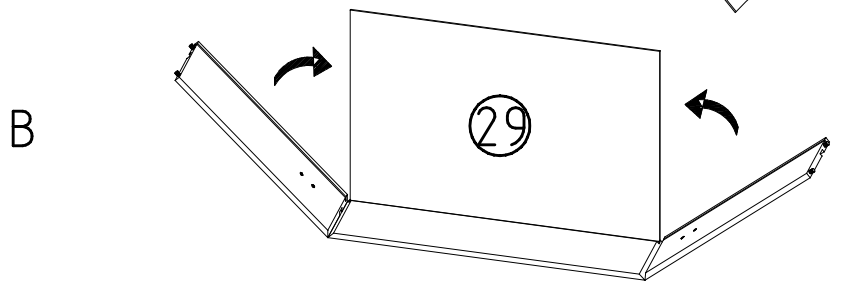
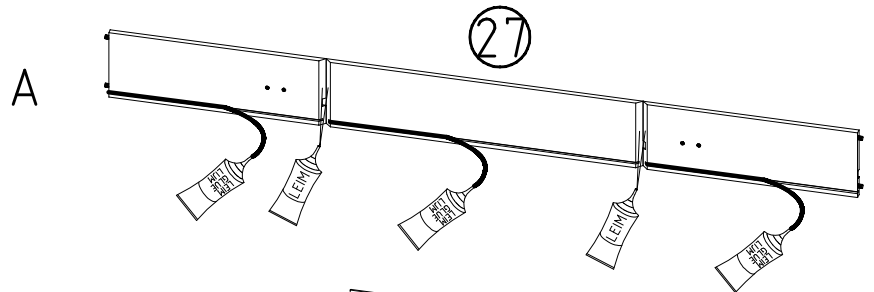
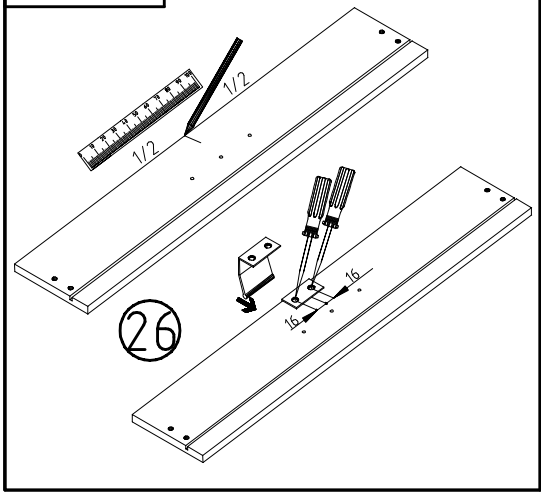
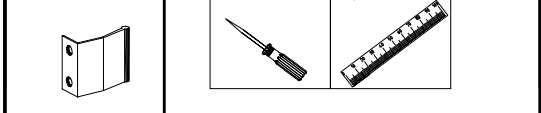
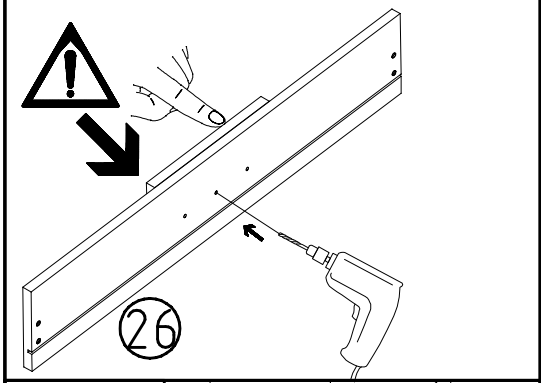
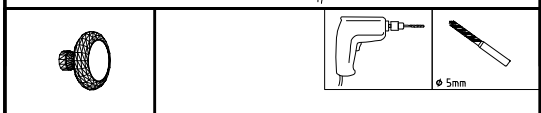
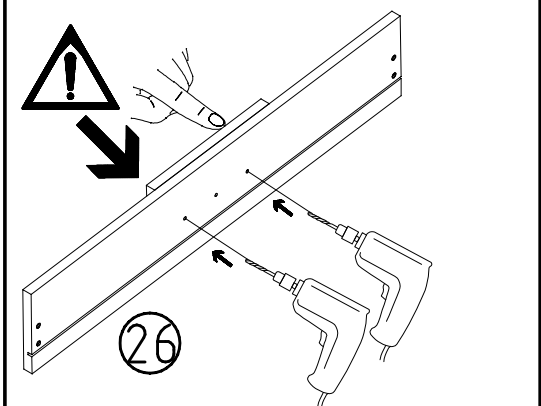
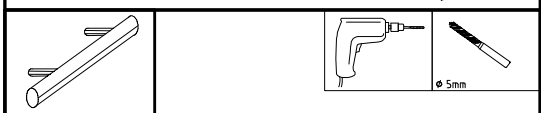
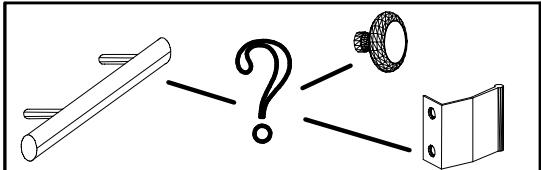


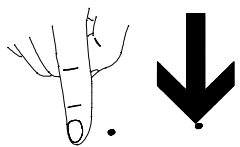
2x



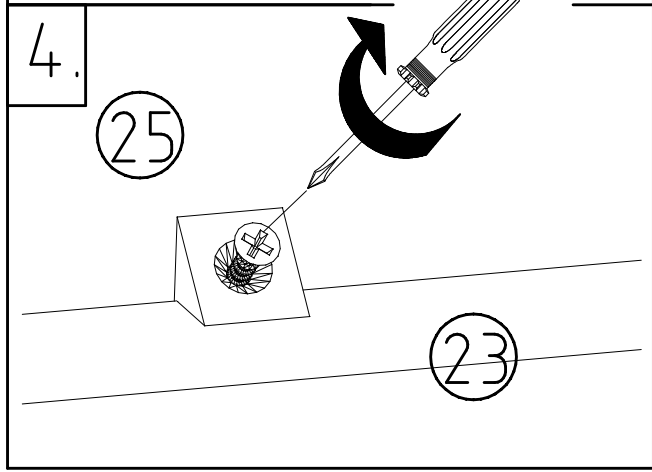
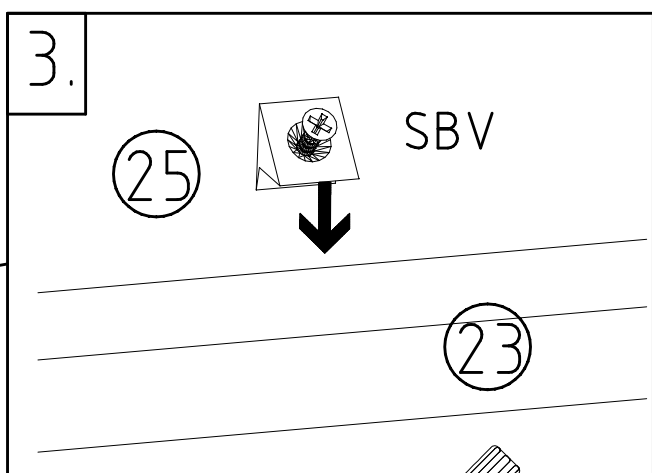
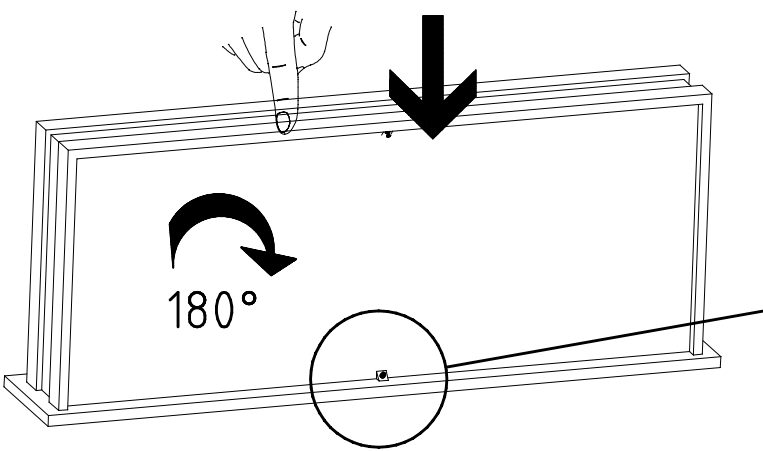
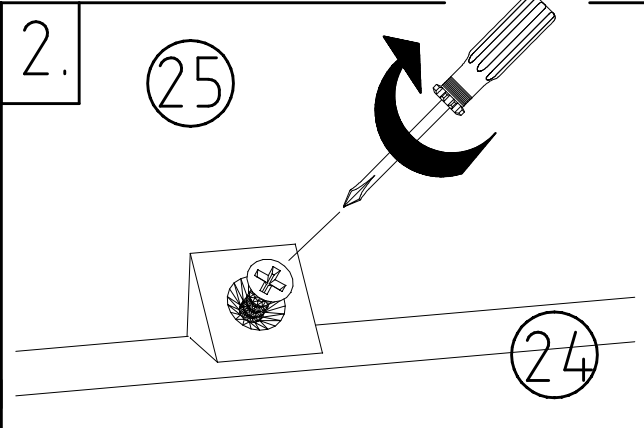
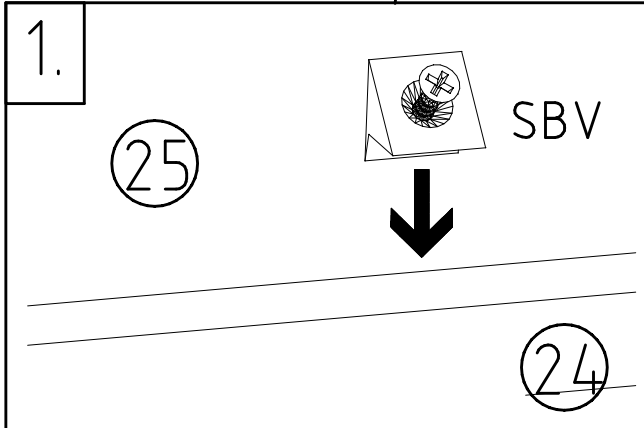
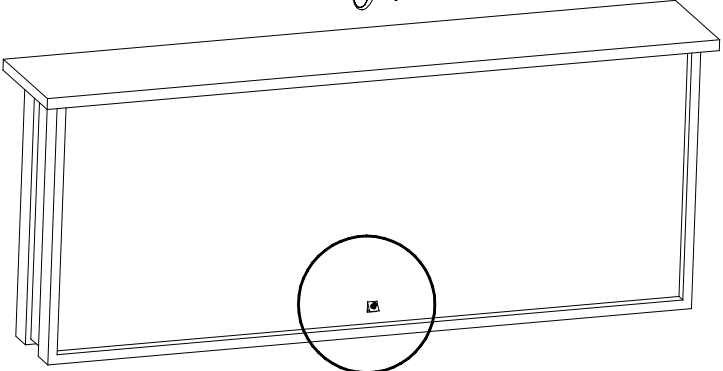
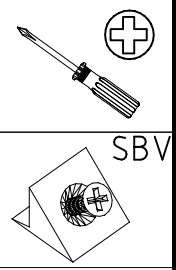


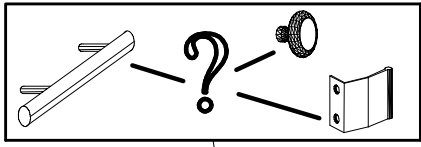
2x



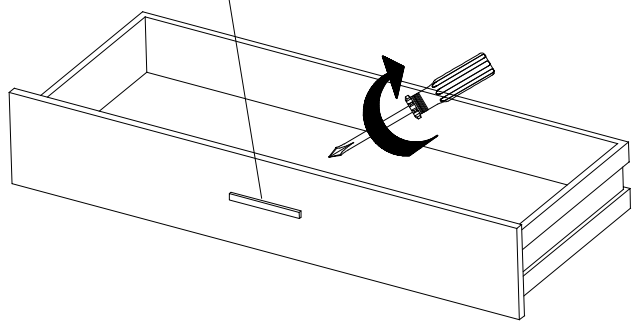
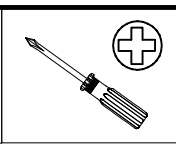
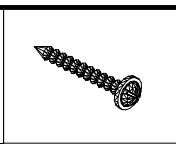


2x

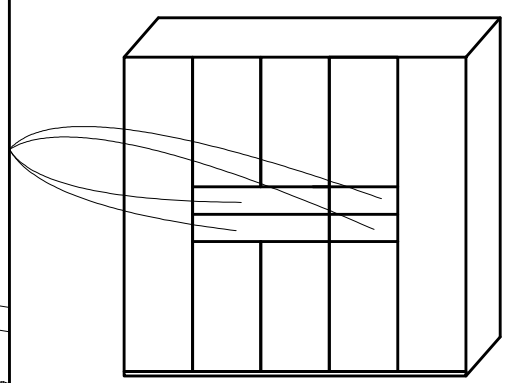
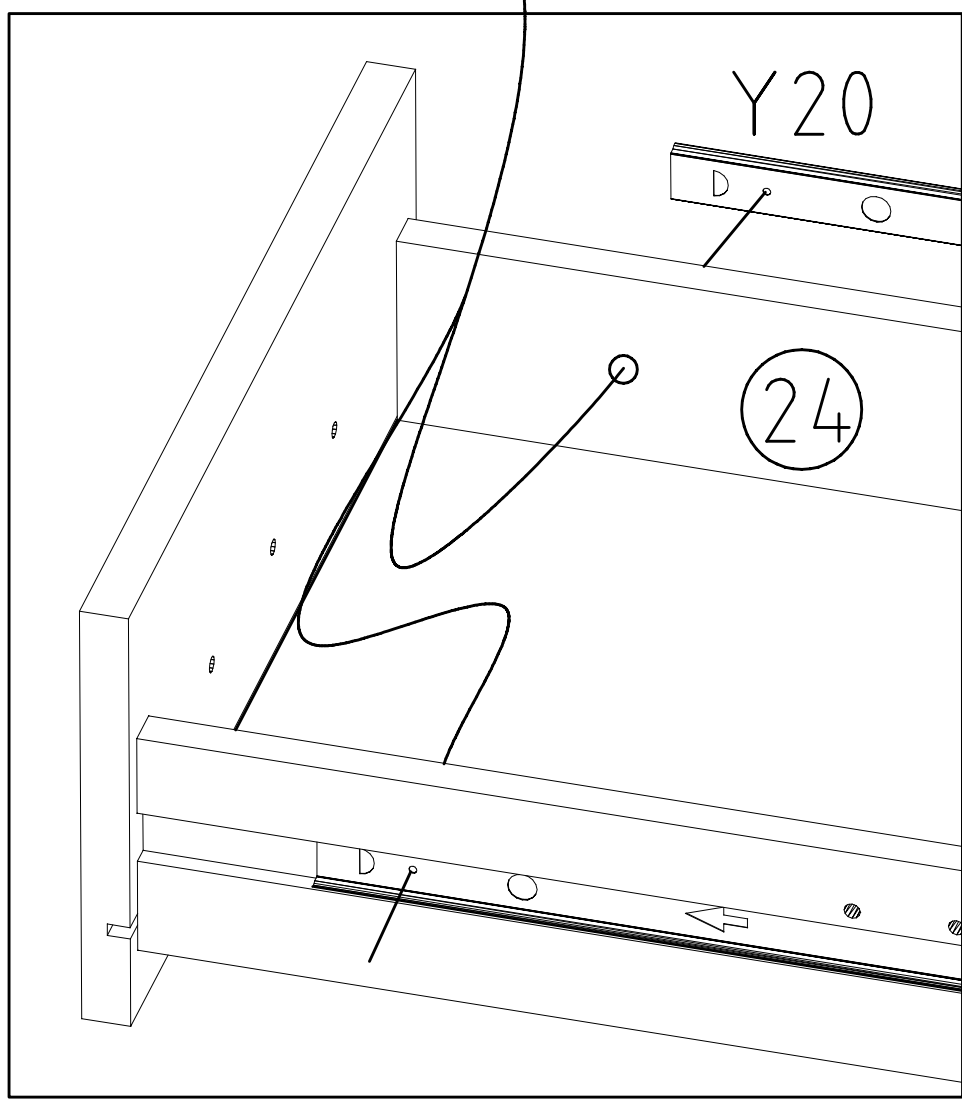
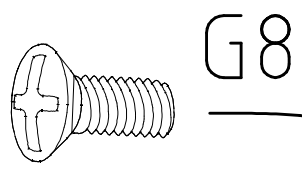


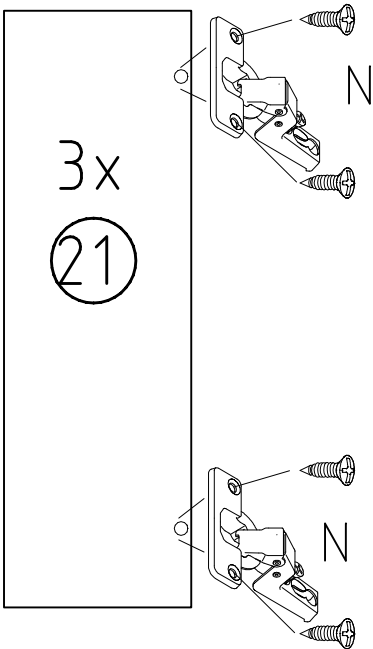
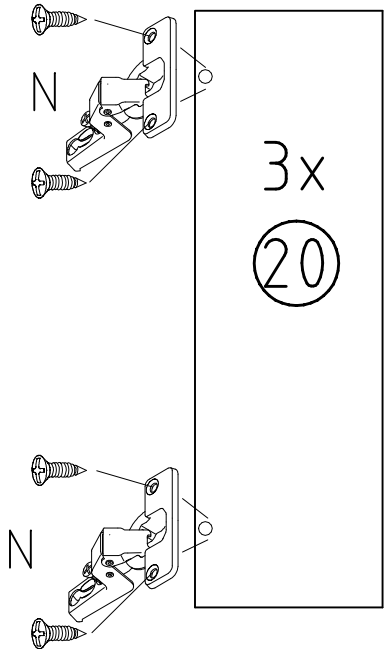
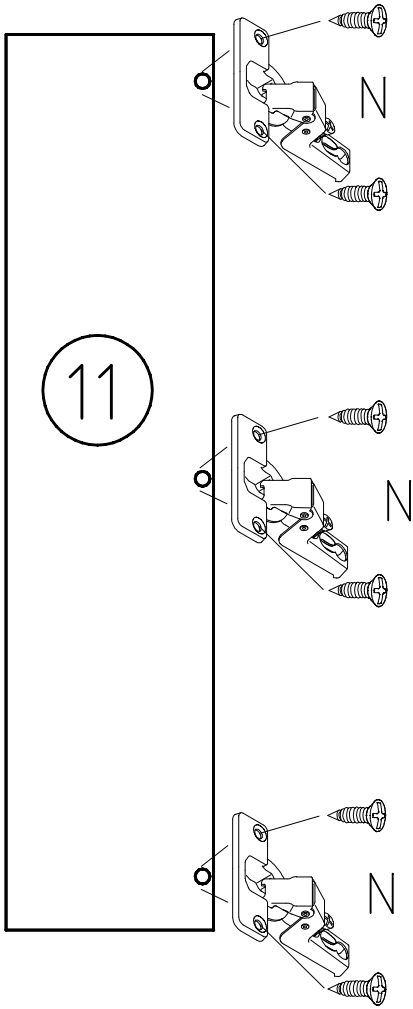
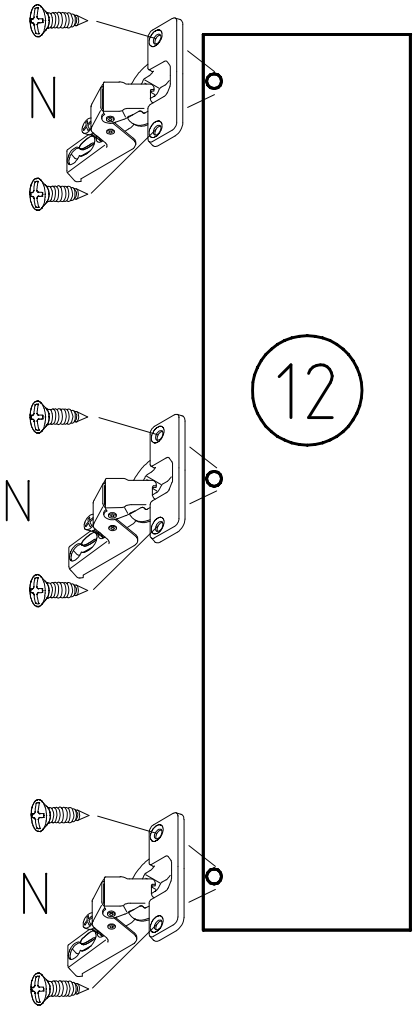
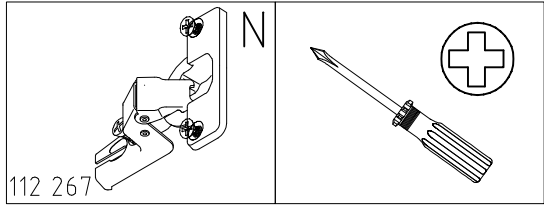
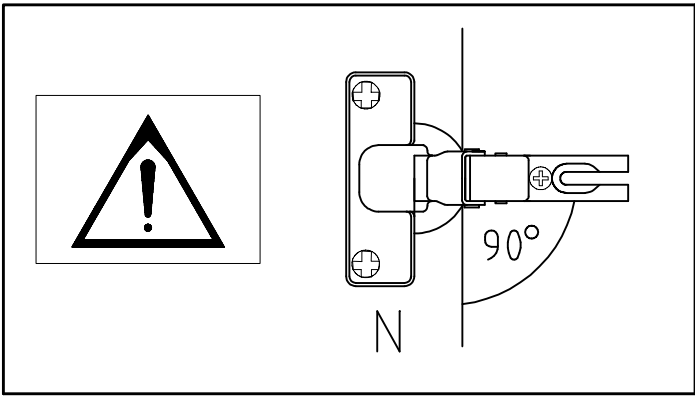


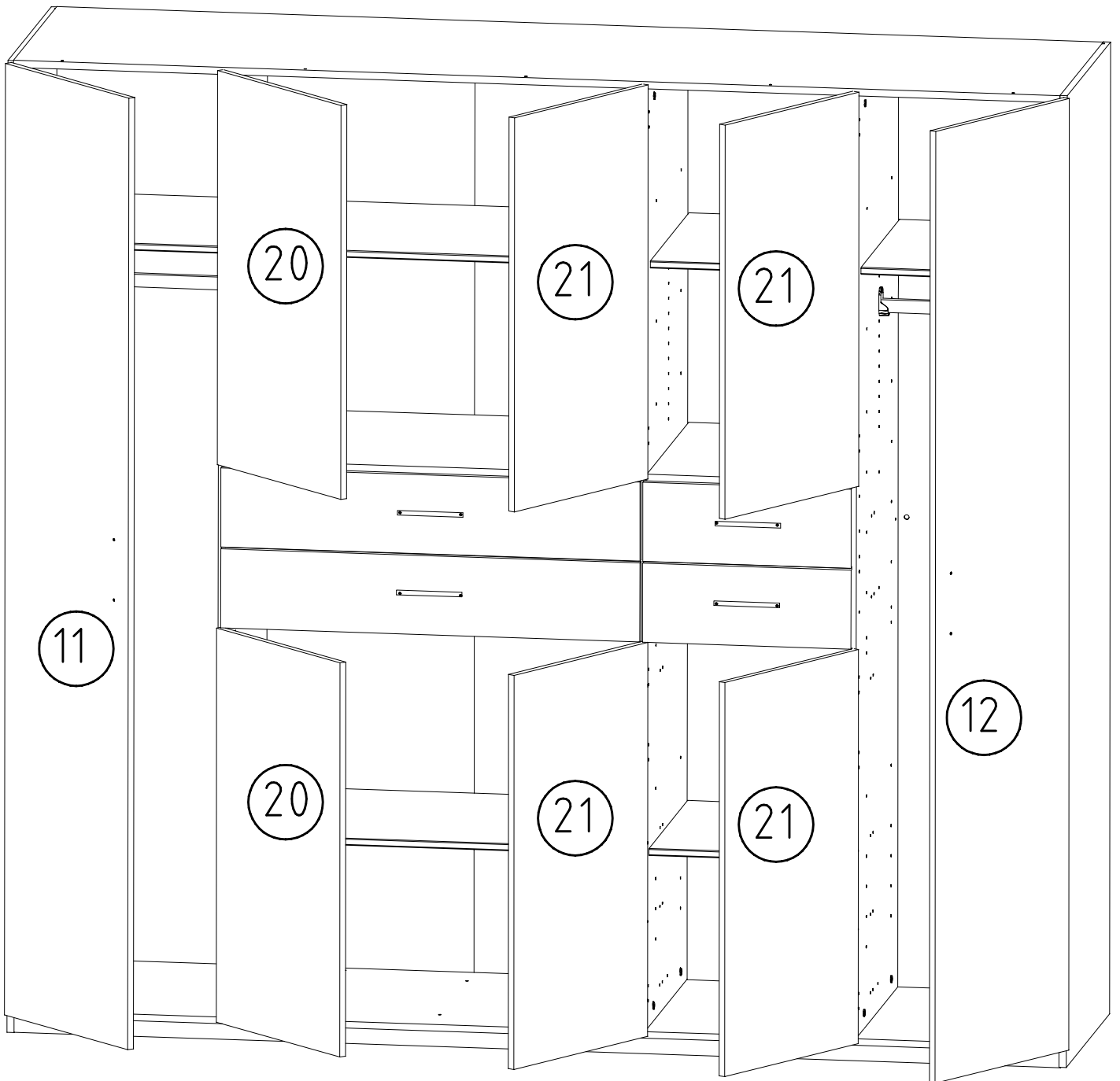
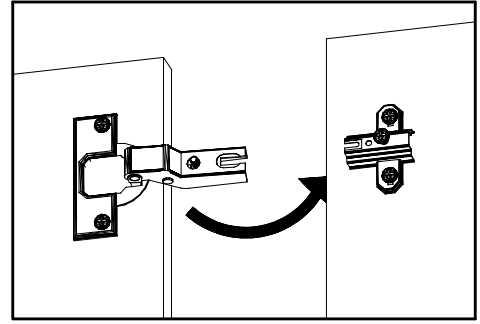
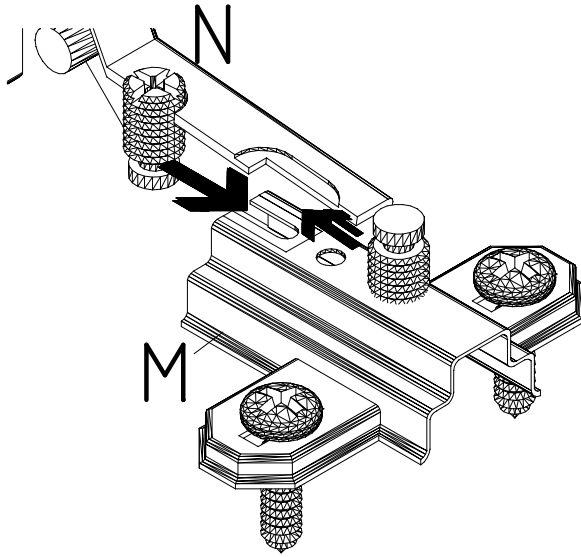
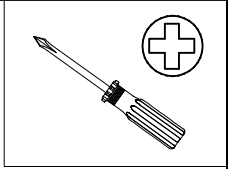
M4 x 9 mm G8
111 015



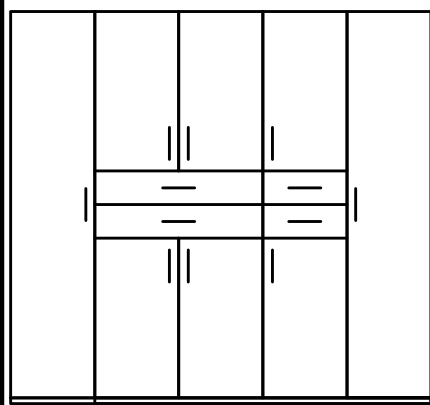
4 X



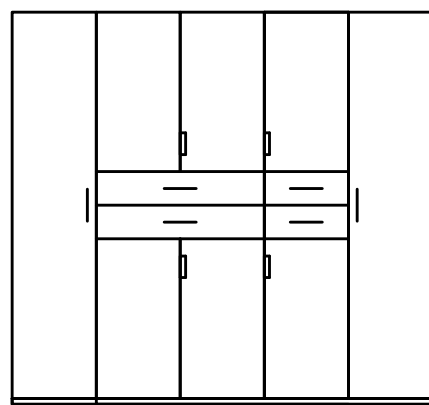
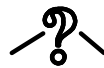




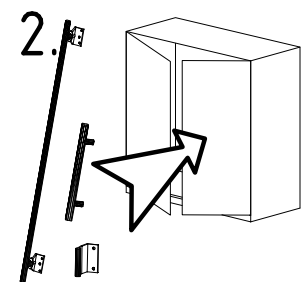
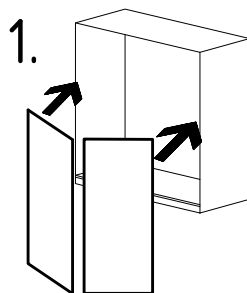
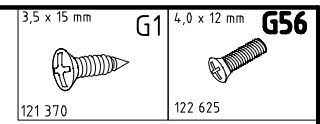
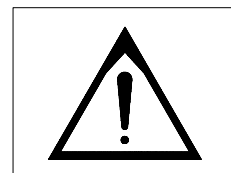
32



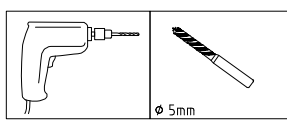
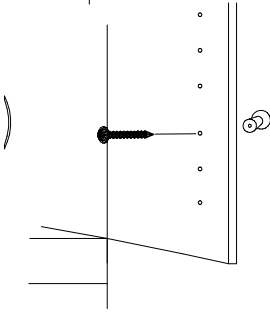
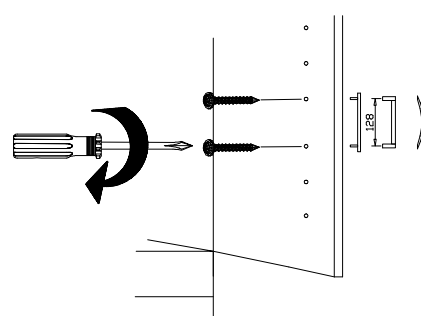
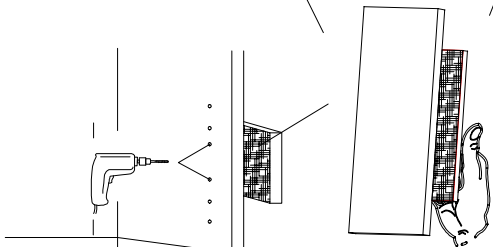
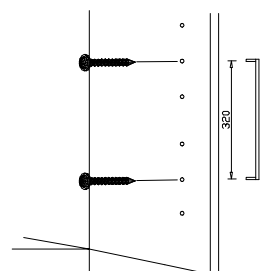
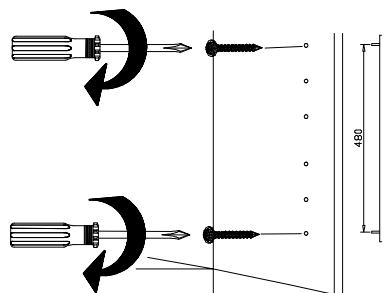
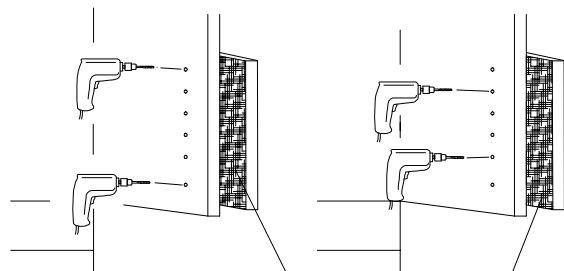
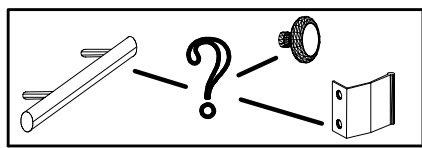
A



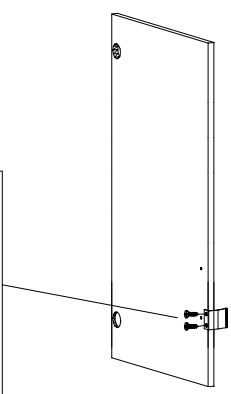
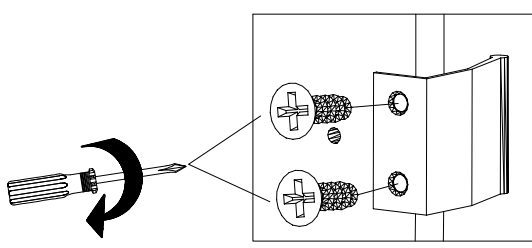
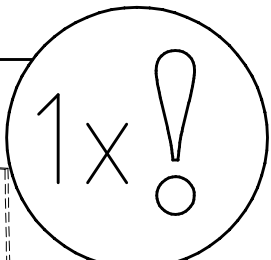
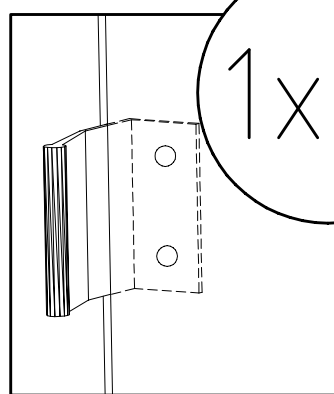
B

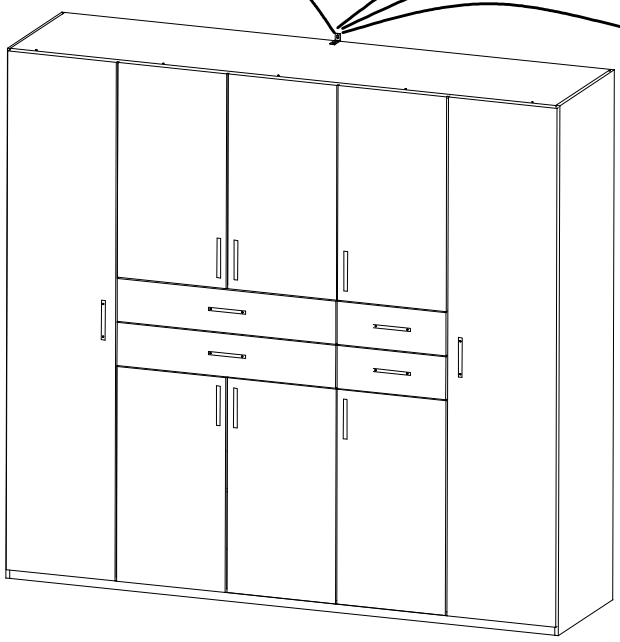
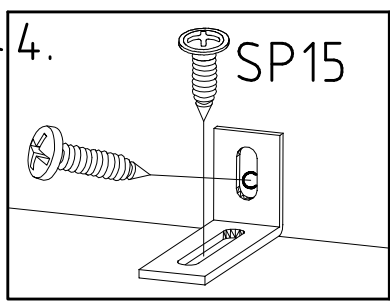
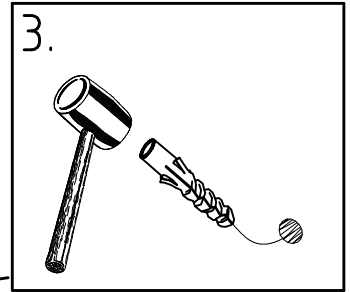
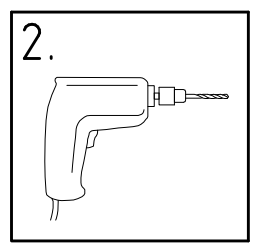
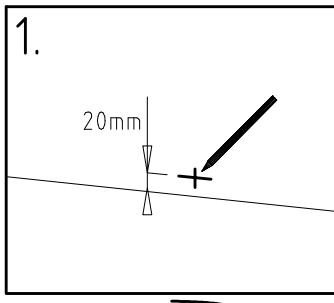
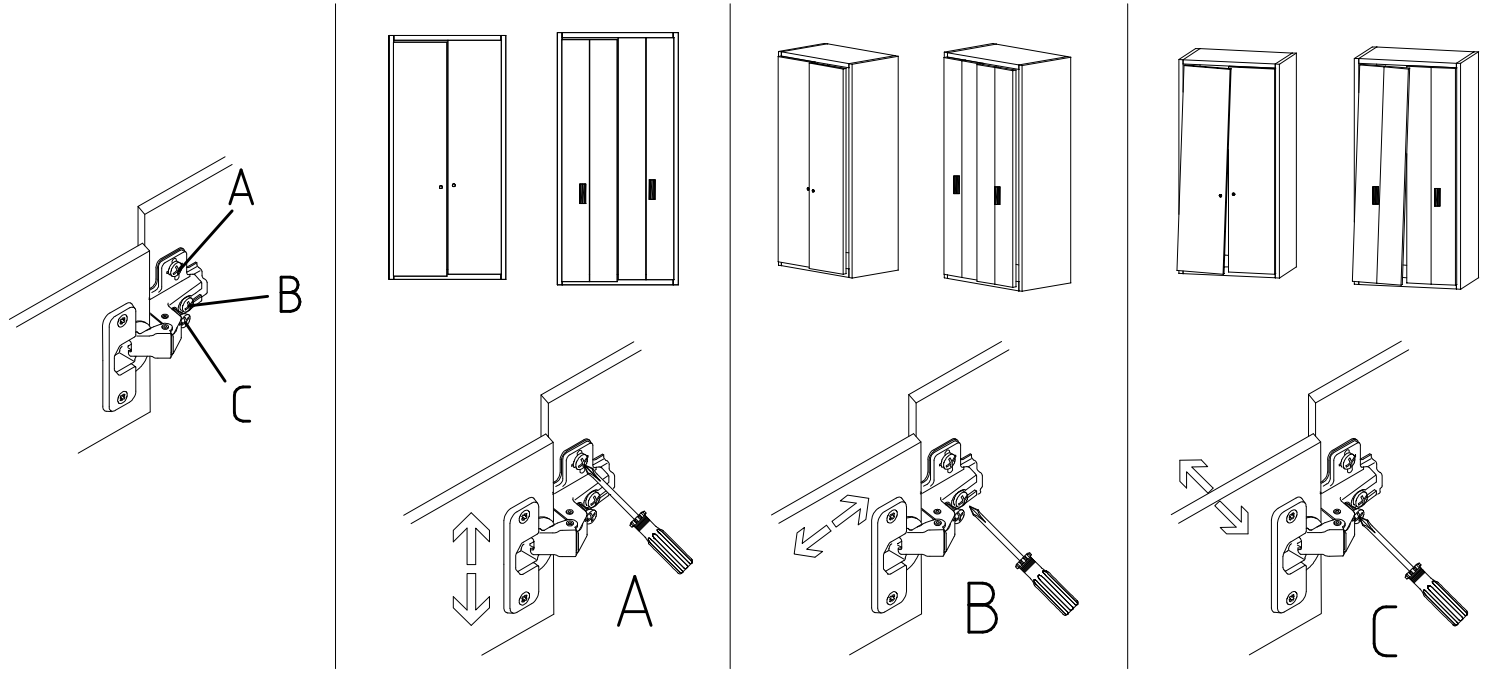
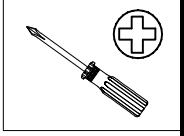


32A



32B





1.	
2.	
<p>SP15 4 X 15mm</p> <p>121 120 </p> <p>o10 111 052 </p>	