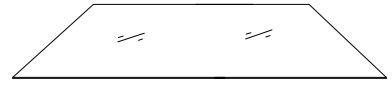


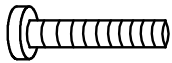
ASSEMBLY INSTRUCTION



A X1

B X4

C X1



M6X47

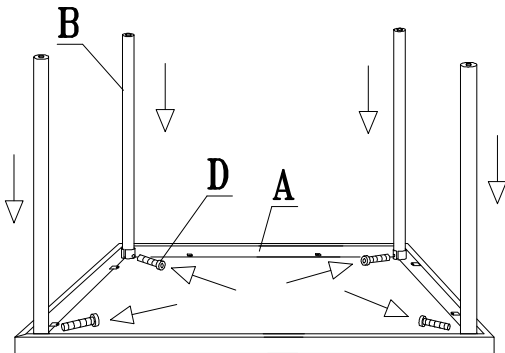


D X4

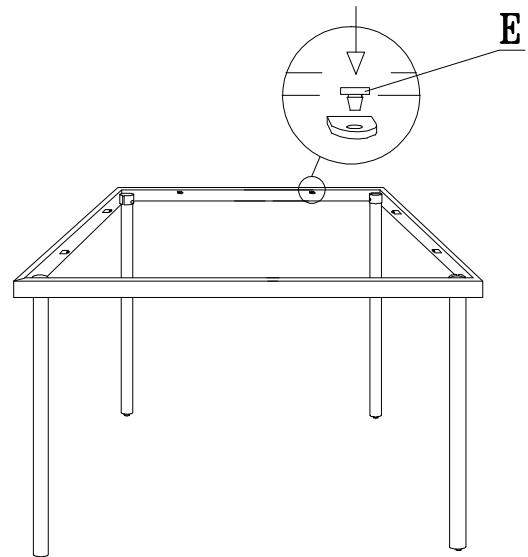
E X8

F X1

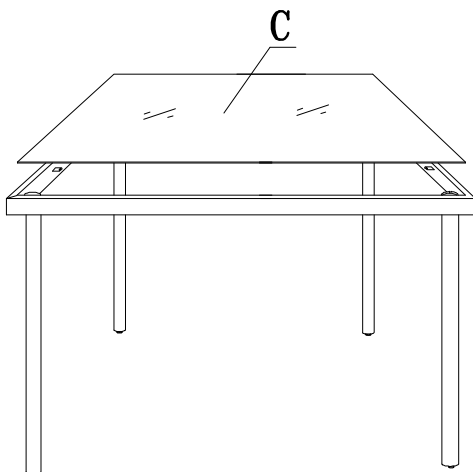
①



②



③



④

