

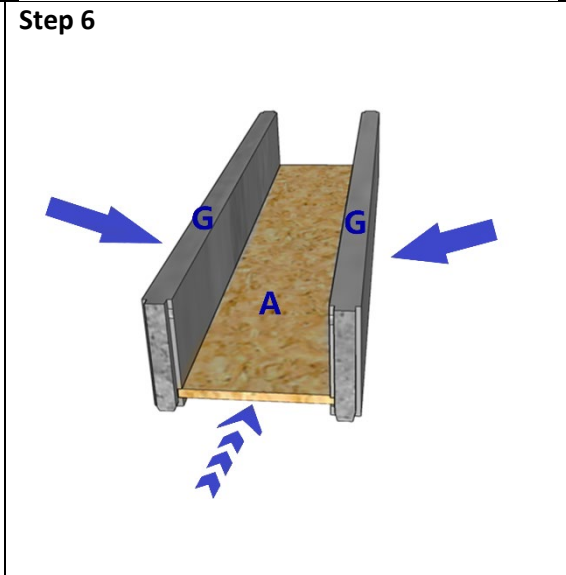
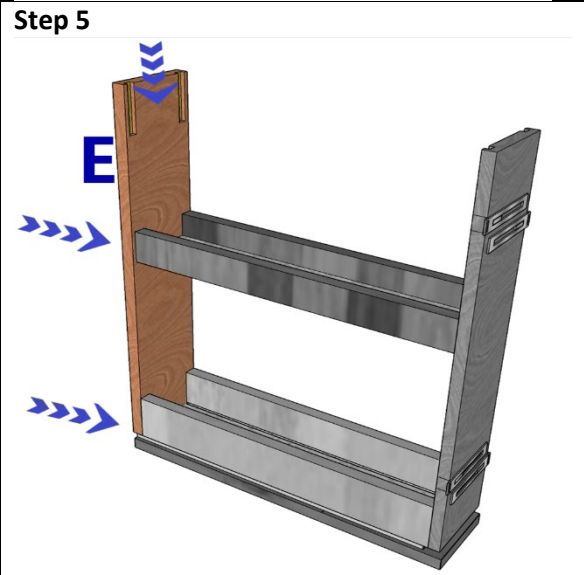
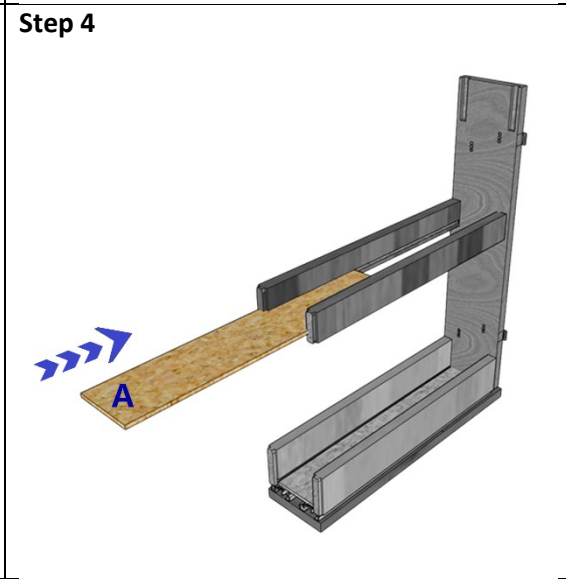
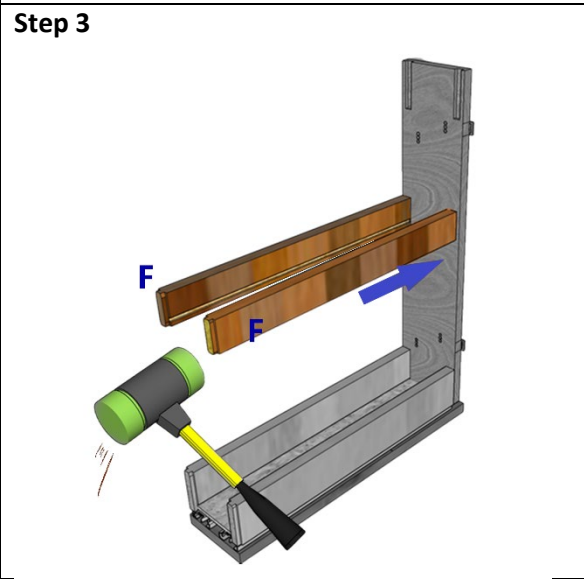
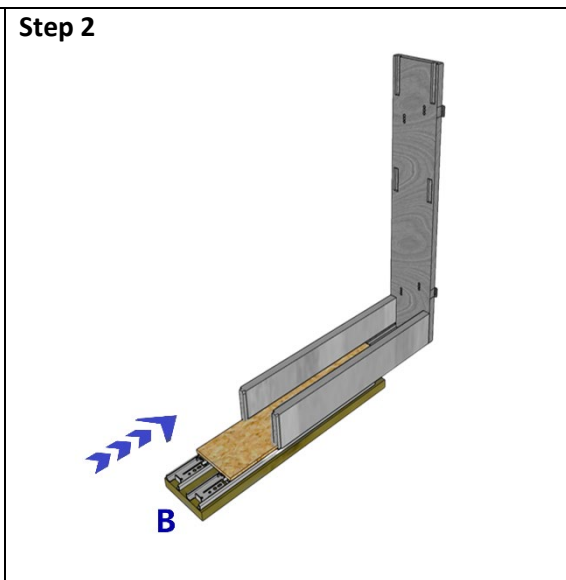
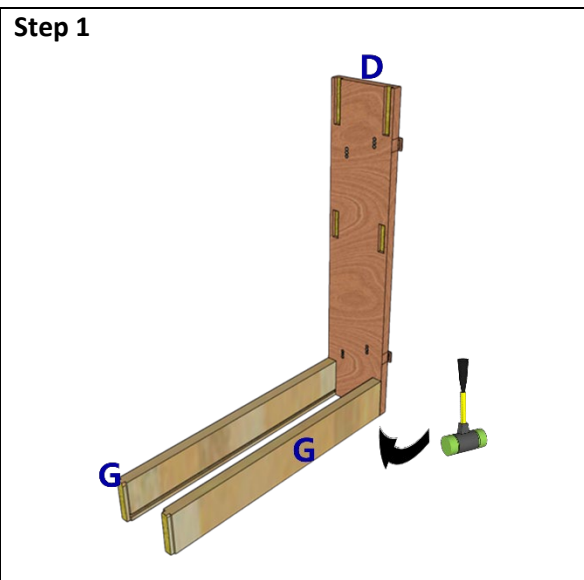
Pull out Spice Rack (V2024.12)

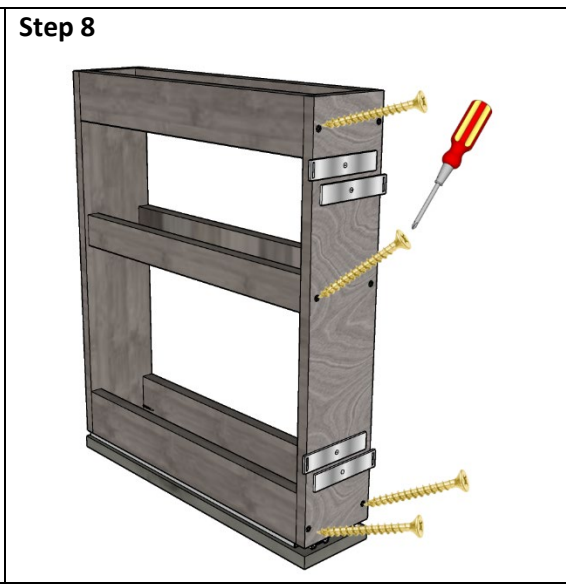
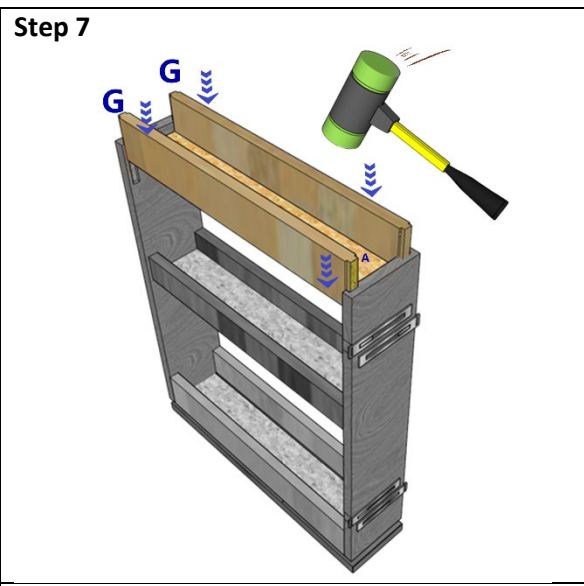
This is an introduction to the assembly instructions for the Pull-out Spice Rack product. The purpose of the product is to maximize storage space and provide easy access to spices and seasonings. The manual provides instructions on how to install the spice cabinet and includes information about the two available sizes (5"W × 24"H × 21"D and 8"W × 24"H × 21"D) and the need to measure your cabinet to ensure the product fits properly.

Tools Required:	
• Rubber Mallet	• 1/16" Drill bit
• Phillips Head Screwdriver	• Tape measure & Pen

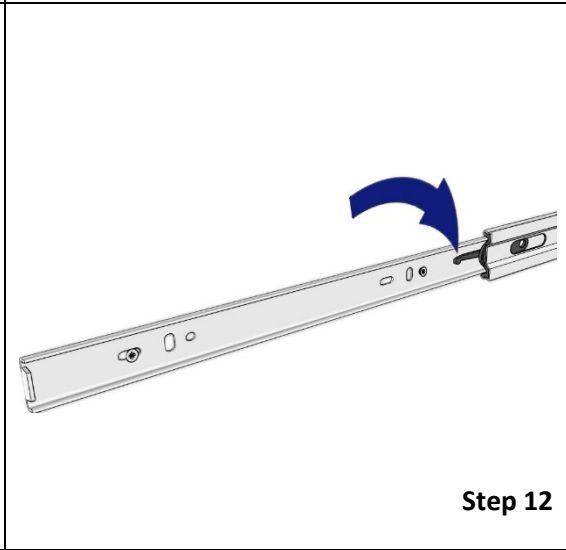
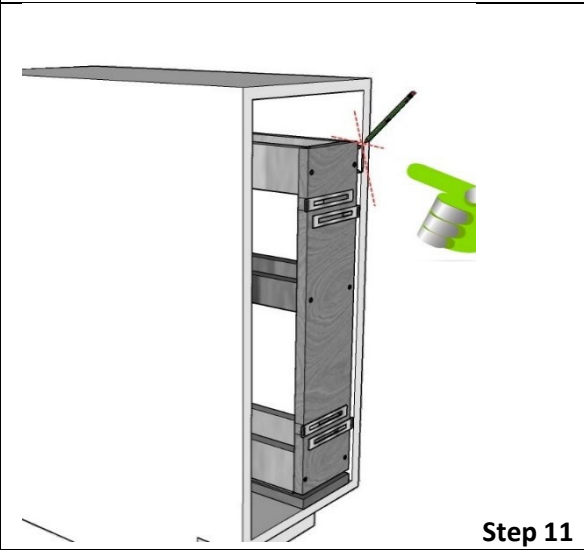
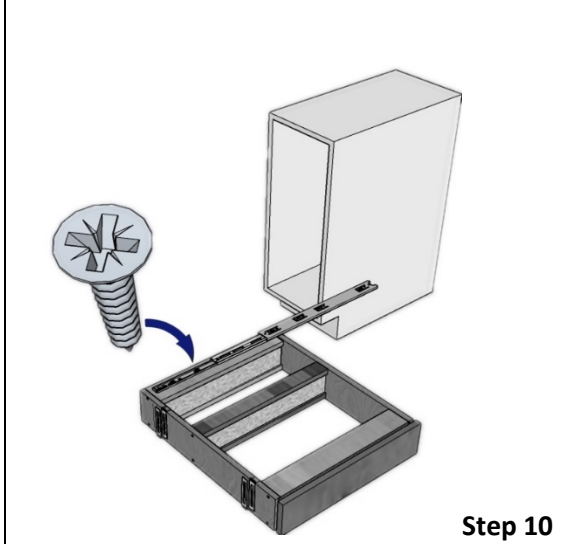
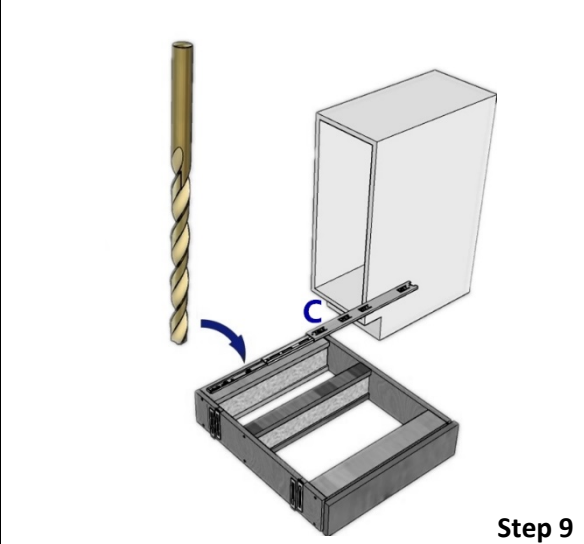
Accessory pack should include the following

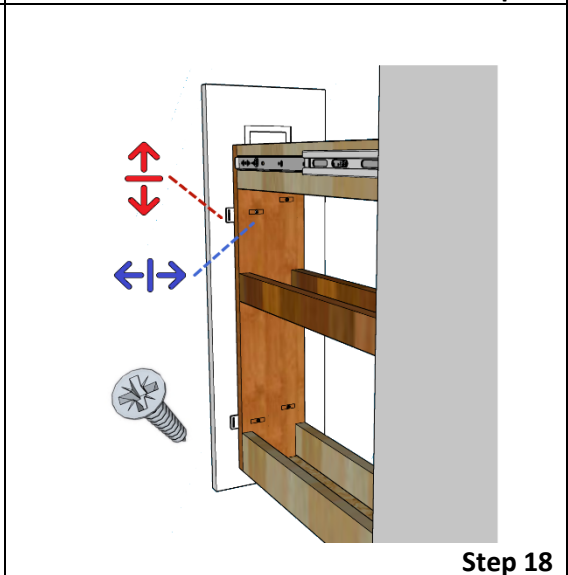
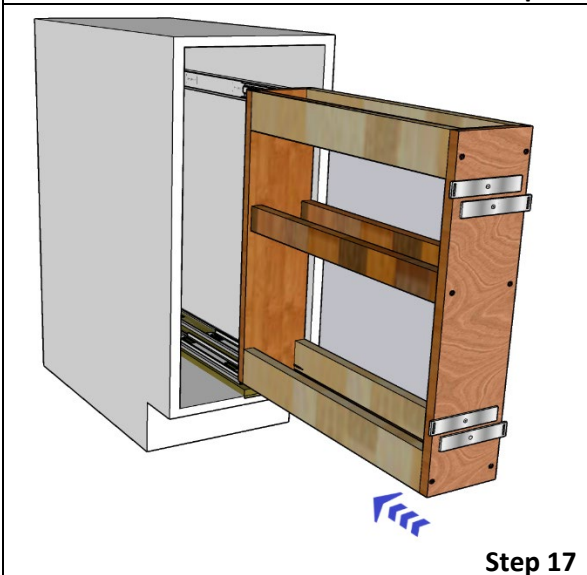
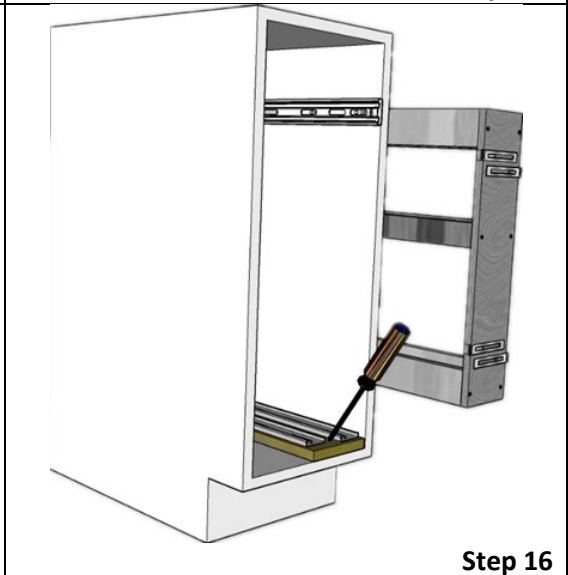
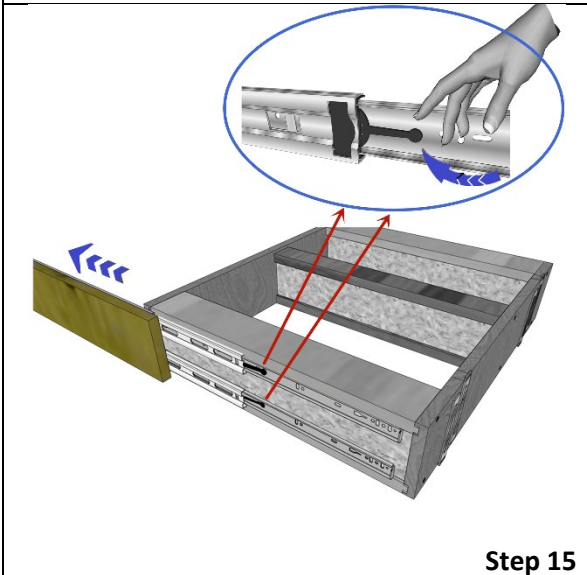
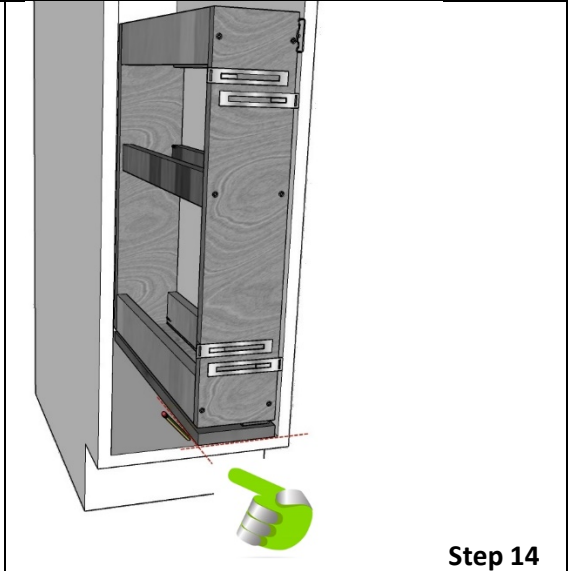
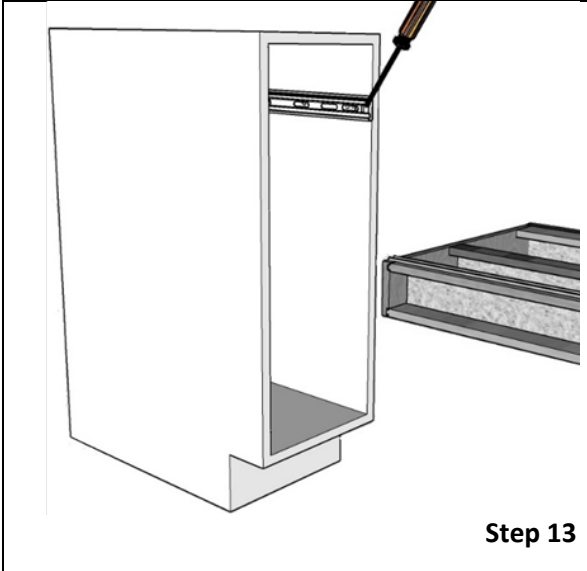
A: Two drawer bottoms, 1/4" thickness.	B: a set of bottom supports, including pre-assembled support boards and slides.	C: a rail (Slider/ track)
D: One vertical front panel with hardware	E: One vertical back panel	F: Two 2-inch-high drawer side panels for the middle box
G: Four 3-inch-high drawer side panels for the top and bottom boxes	 1/2" x 10	 1-1/4" x 16
Elysian®		





Installation Instructions





Assembly Instructions for Pull-Out Spice Rack:

1. Start by installing two 3-inch-high side panels (#G) at the bottom of the front drawer board (#D) using a rubber mallet.
2. Insert the bottom support assembly with the slide rails (#B) into the bottom and inside the side panels.
3. Use a rubber mallet to gently tap in two 2-inch-high side panels (#F) in the middle of the front drawer and then insert the bottom board of the middle drawer (#A).
4. Vertically insert the back panel (#E) of the spice rack and align the side panel of the middle drawer with the groove on the back panel.
5. Assemble the remaining two side panels and bottom board (#G + #A).
6. Use a rubber mallet to attach the assembled box from the top down onto the spice rack.
7. Secure the drawers with 12 screws in the pre-drilled holes (front and rear panel).

Pull-out Spice Rack Installation Instructions:

The key step is to first install the side rails (item C) inside the cabinet, then install the bottom support panel with rails (item B) on the cabinet. Following this sequence ensures the smooth operation of the spice drawer.

9-10. Use a 1/16-inch drill bit to drill guide holes on one side of the spice drawer (drilling guide holes prevent wood from splitting). Then, use screws to secure the side rails (#C) onto the spice drawer.

11-13. Place the entire spice drawer into the cabinet, mark the intersections of the side rail with the interior of the cabinet, then remove the spice drawer and install the side rail at these marked positions.

(12) Press the black tab on the rail to detach the second and third sections of the rail.

(13) Install the detached sections of the rail onto the cabinet.

14-16. Once the side rail is installed, reinsert the entire spice drawer back into the cabinet and mark the position of the bottom support panel (#B). Then, remove the spice drawer from the cabinet again, detach the bottom support panel (#B), and install this panel separately.

(15) Using the same method as in step 12, detach the bottom support from the spice drawer.

(16). Install the bottom support into the cabinet according to the previous markings.

17. Finally, insert the assembled spice drawer into the three rails.

Optional:

If you need to attach the spice rack to the cabinet door, loosen the screws on the back of the spice rack drawer. The hardware can slide left and right.

Use screws to tighten and secure it to the door. This hardware allows for left-right and up-down adjustments. Once you find the desired position, tighten the screws to secure the hardware in place.

Warnings:

- Ensure that the spice cabinet is suitable for your cabinet before installation.
- Use caution when handling the assembled spice cabinet to avoid injury or damage to the product.
- Do not overload the spice cabinet beyond its recommended weight limit. (75LB)
- Children should not be allowed to play with or climb on the spice cabinet.