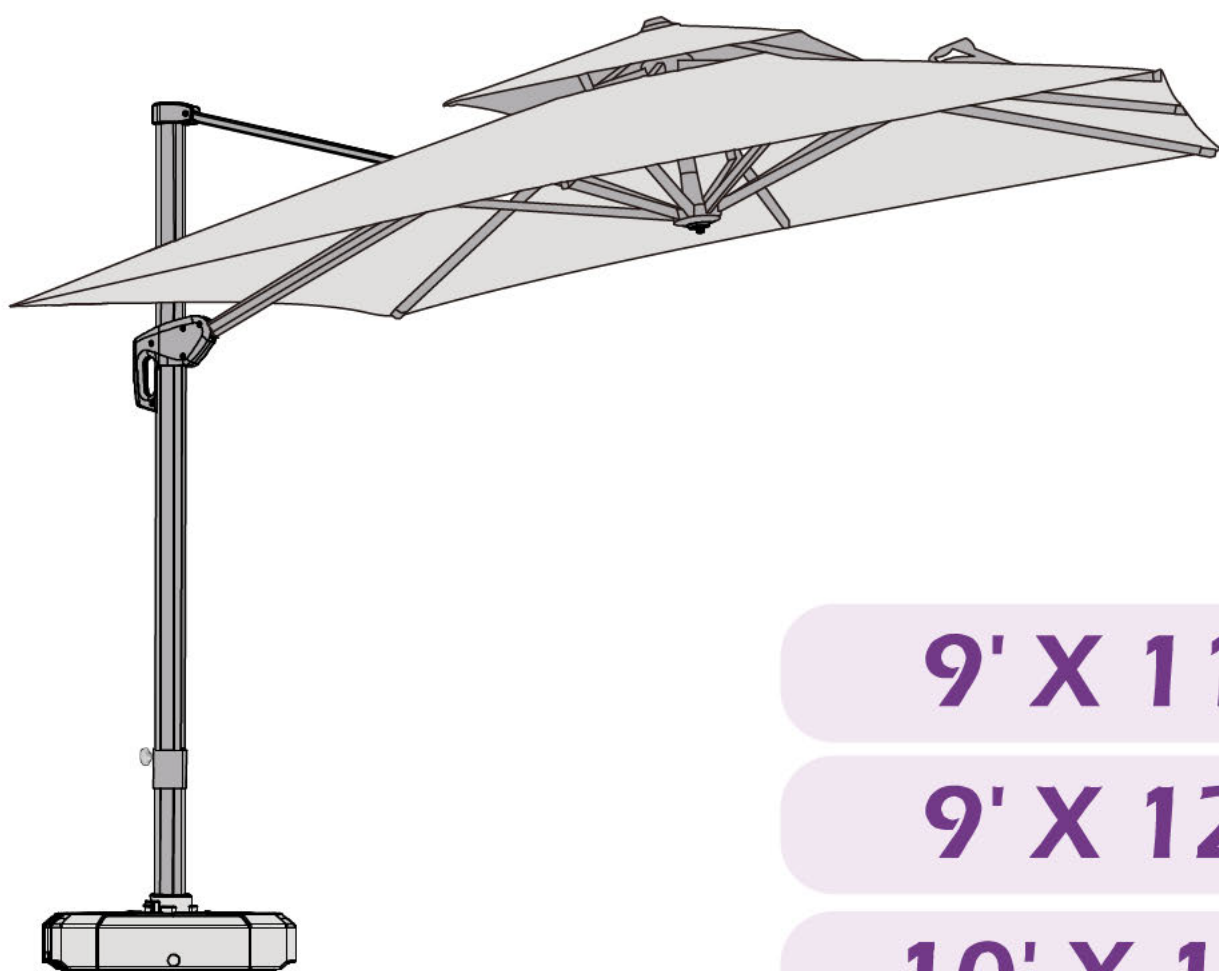


Cantilever Umbrella

Assembly and Operation Manual



9' X 11'

9' X 12'

10' X 10'

Classic B

Read and follow this assembly and operation guide.

To avoid personal injury and damage to your umbrella,

Please close your umbrella when it is windy or when unattended.

We recommend a **two-person team** for assembly and disassembly.

If you like our products, please tell other customers.

If you have any problems with our products, please tell us.

Important

Prior to assembly, please read the precautions below:

CHOKING HAZARD:

- This item contains small parts that can be swallowed. Keep children and pets away during assembly.

NOTE:

- We recommend assembling and disassembling the umbrella with a team of two people.

- Before starting the installation, please verify the parts list to ensure you have all components. Do not dispose of any packaging or boxes until assembly is fully completed.

LOCATION:

- Select a location that is level and sturdy. Uneven ground can make it difficult to secure the umbrella properly and may affect its stability when open.

- Ensure there is ample overhead clearance to fully open and operate the umbrella without obstruction from tree branches, roof eaves, or other structures. Also, clear the area around the umbrella of any furniture, plants, or other items to prevent obstruction or potential accidents.

- Keep all the flames and heat sources away from this umbrella.

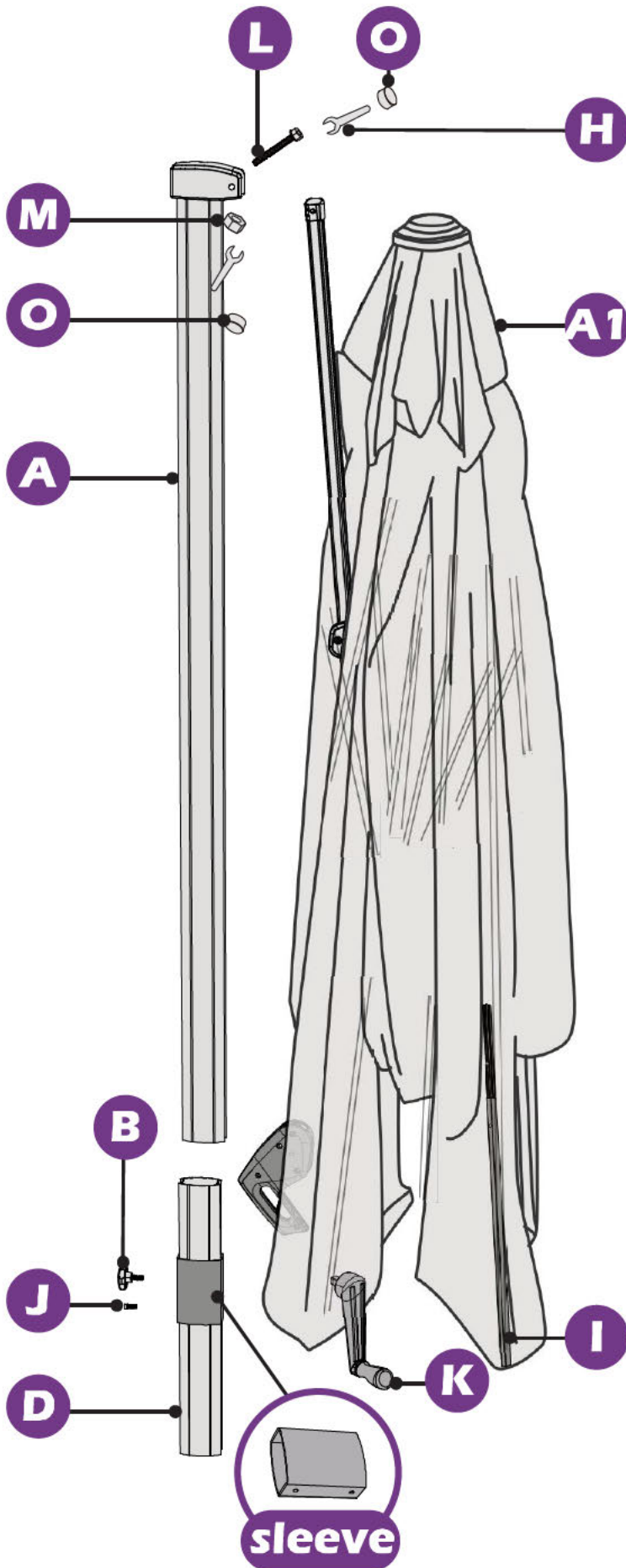
SECURE THE UMBRELLA:

- Use a sturdy umbrella base (sold separately) or anchor system (sold separately) to secure the umbrella in place and prevent it from tipping over.

CAUTION:

- Moving the umbrella while it is fully open increases the risk of damaging the umbrella or causing serious injury.

Check List



A x 1 
Main Pole

A1 x 1 
Canopy with Handle

B x 1 
Connector Knob

D x 1 
Lower Pole with Sleeve

H x 2 
Wrench

I x 4 
Extension rod

J x 1 
(M8x20) Bolt

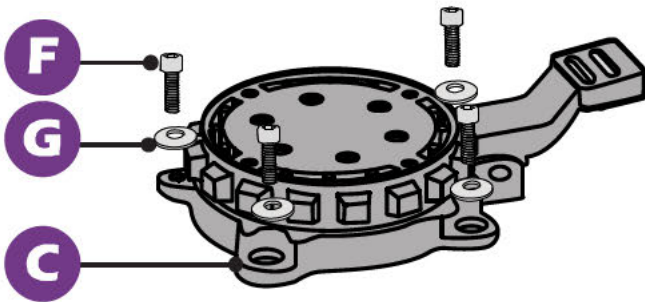
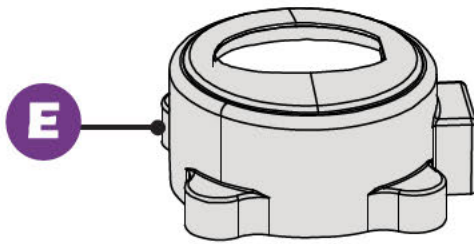
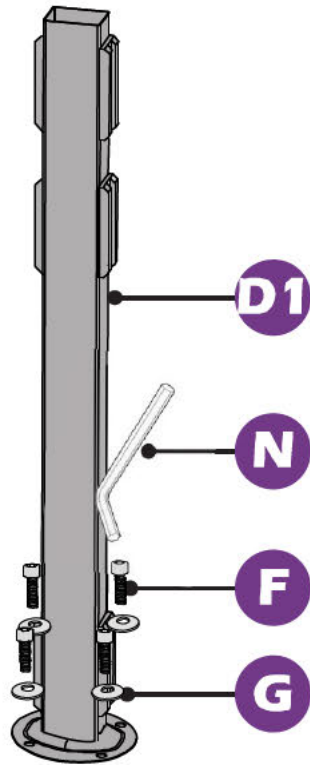
K x 1 
Hand Crank

L x 1 
(M8x73) Bolt

M x 1 
(M8) Nut

O x 2 
Plastic Round Bolt Cap

Check List



C x 1
Pedal Rotating Mechanism



D1 x 1
Base Tube



E x 1
Base Cover



F x 8
(M8x18) Bolt



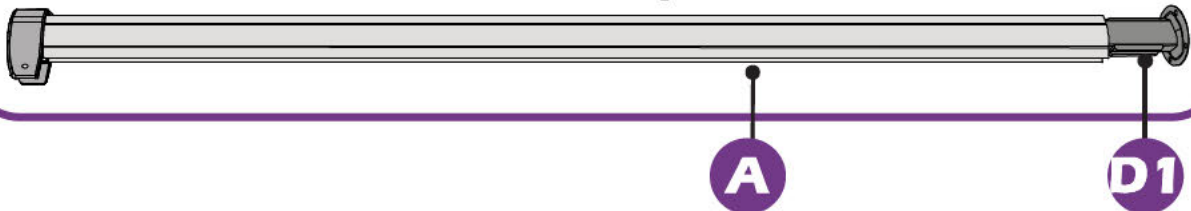
G x 8
M8 Washer



N x 1
T6 Allen Wrench



The part D1 base tube hides in the part A main pole. You need to take it out before assembly.



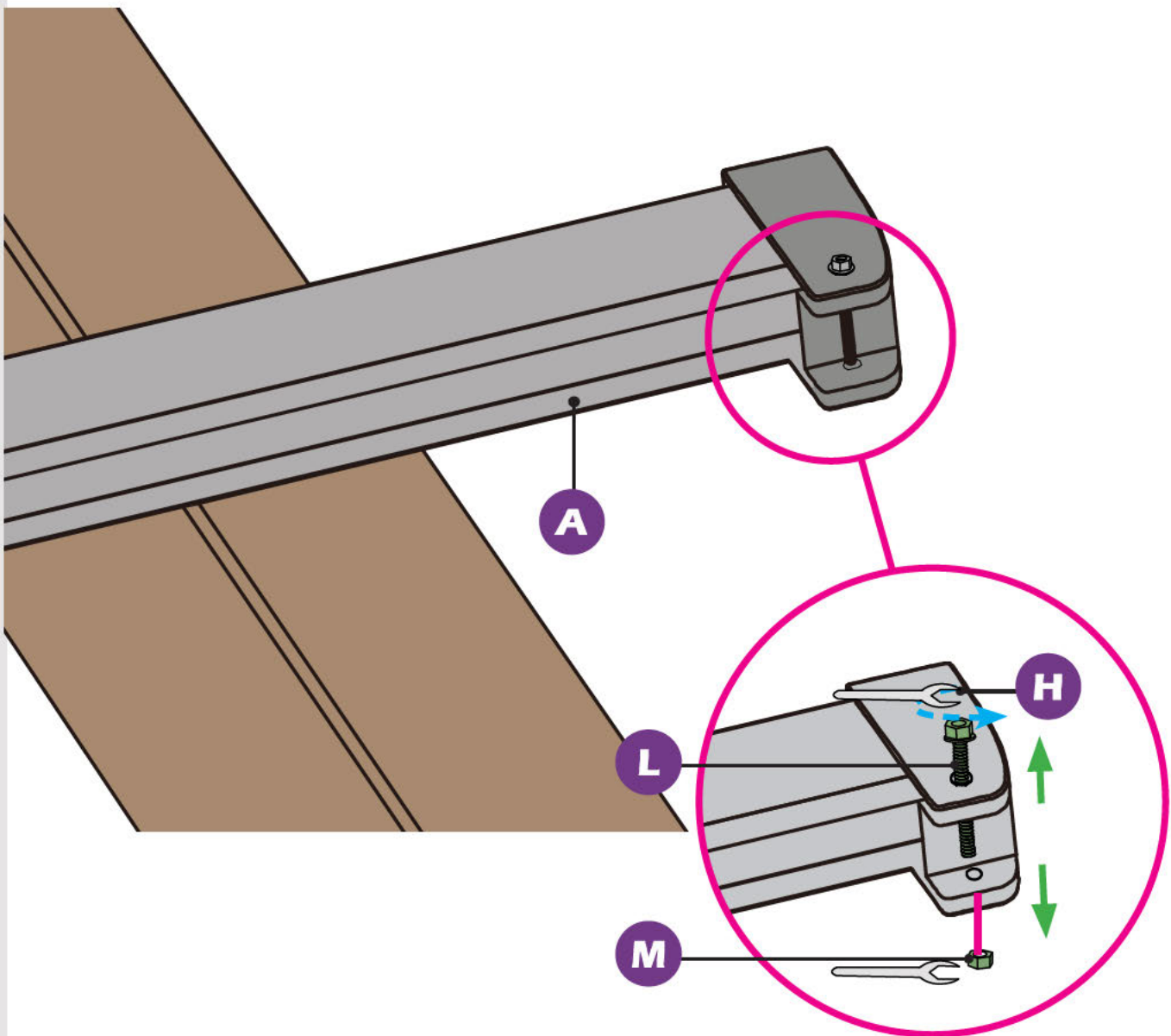
Umbrella Assembly

To Assemble Top Bolt

1

Use wrench (**H**) to remove the bolt (**L**) and nut (**M**) from the top cap.

Suggestion: Place the umbrella canopy (**A**) on a table for easier installation of the bolt.

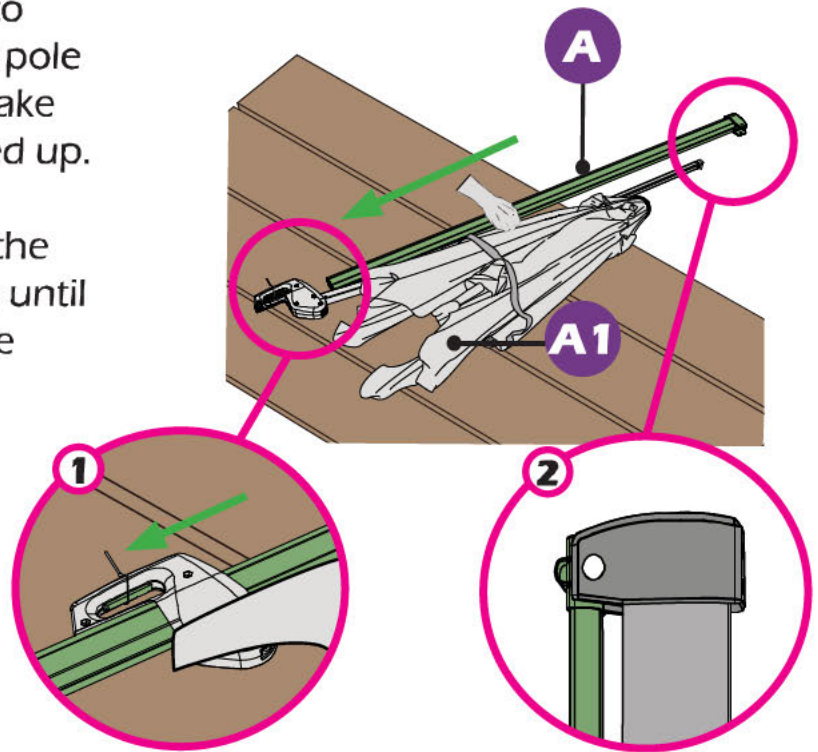


Umbrella Assembly

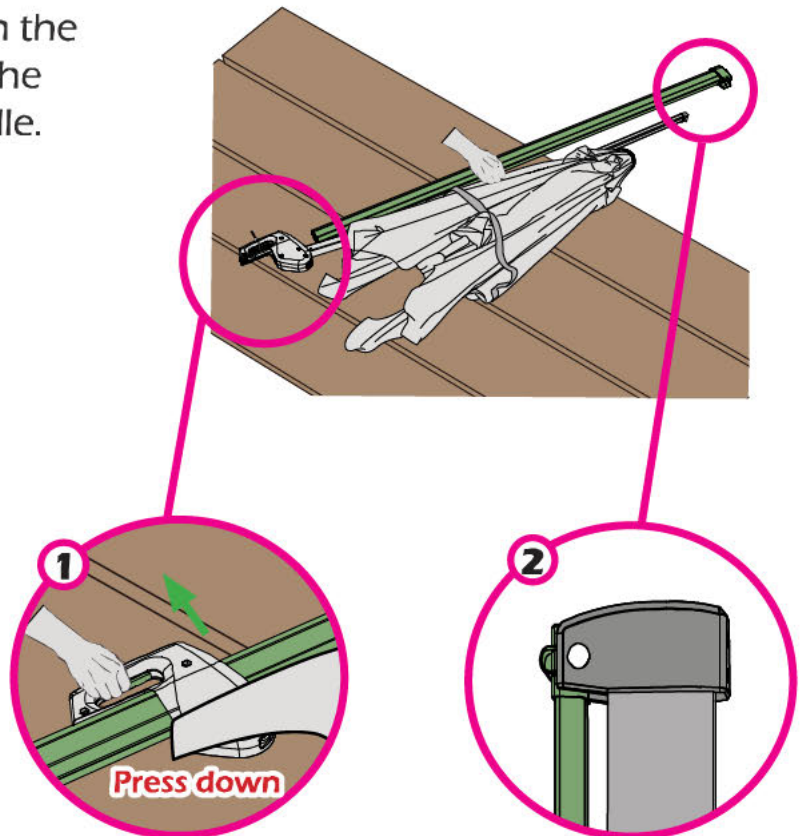
To Assemble Top Bolt

2 Insert the main pole into the handle until the tilt pole reaches the top cap. Make sure their holes are lined up.

Note: Do not remove the cable tie on the handle until you complete the frame assembly.



Tip If you remove the cable tie accidentally, press down the trigger when inserting the main pole into the handle.

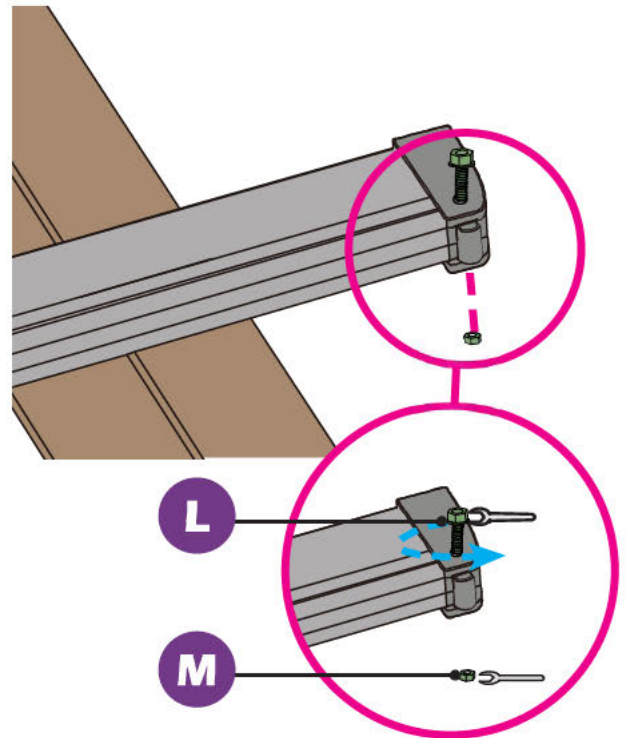


Umbrella Assembly

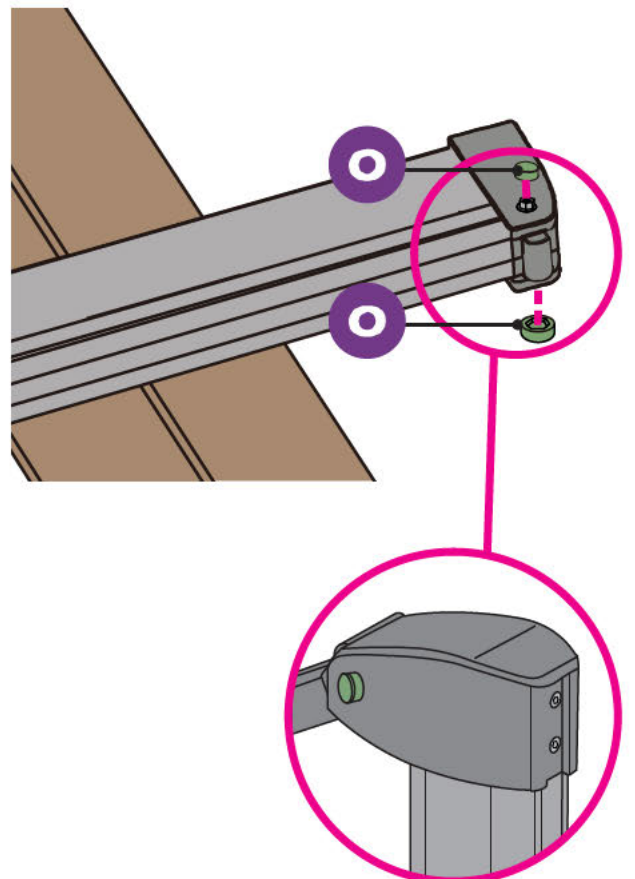
To Assemble Top Bolt

- 3** Fix the tilt pole to the top cap with the bolt (**L**) and nut (**M**). Tighten the bolt and nut with two wrenches.

Note: Ensure that the bolt and nut are tightened properly.

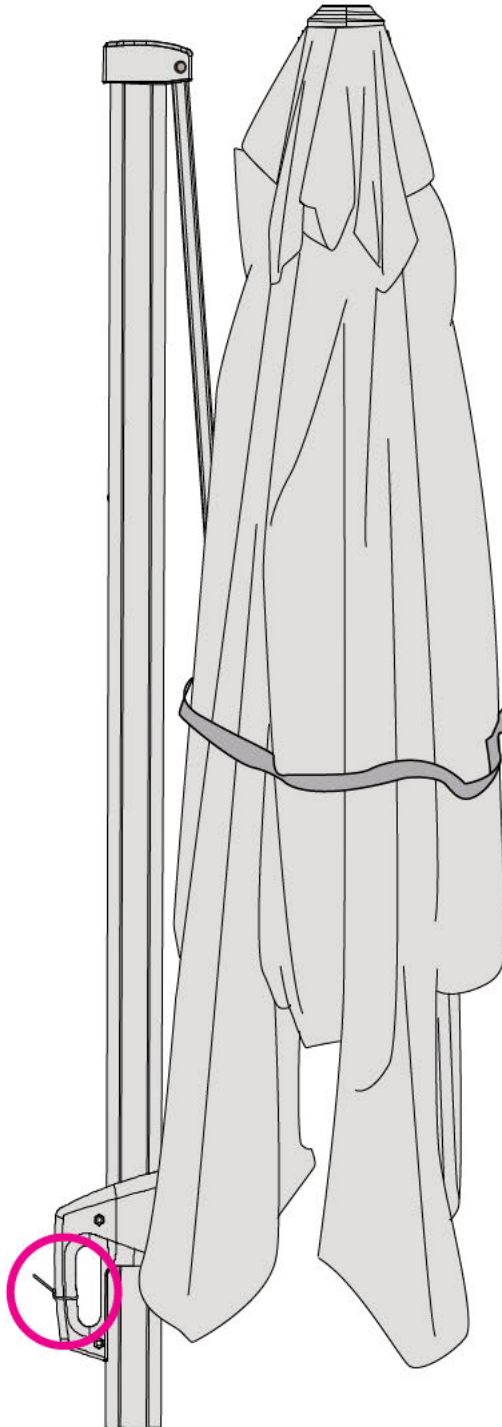


- 4** Cover the bolt and nut heads with plastic round caps (**●**).



Umbrella Assembly

After completing the canopy assembly, you will get the canopy as shown.



Remove the cable tie on the handle.

Base Tube Assembly



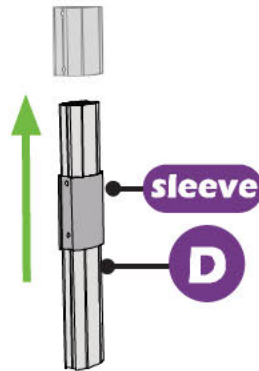
D X1



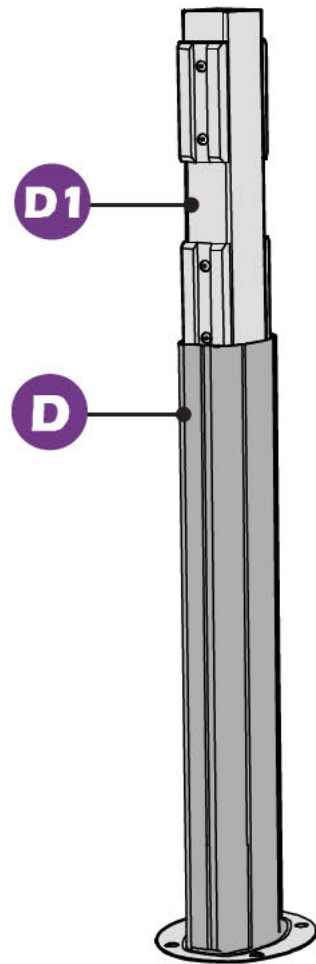
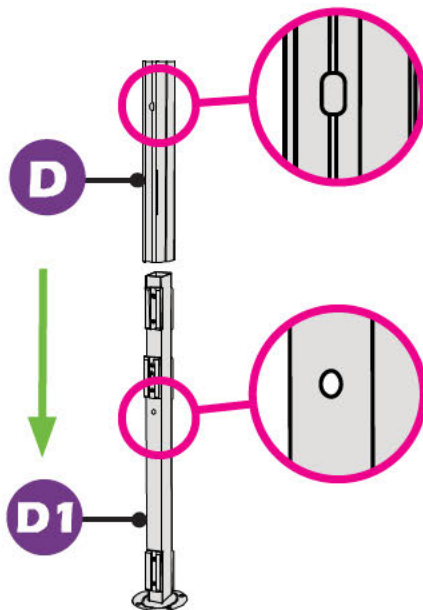
D1 X1



- 1** Remove the sleeve from Part D to prepare for the base cover attachment later.



- 2** Ensure that the hole in Part D is aligned with the marked hole in Part D1, then insert Part D onto Part D1.



Base Tube Assembly



C X1



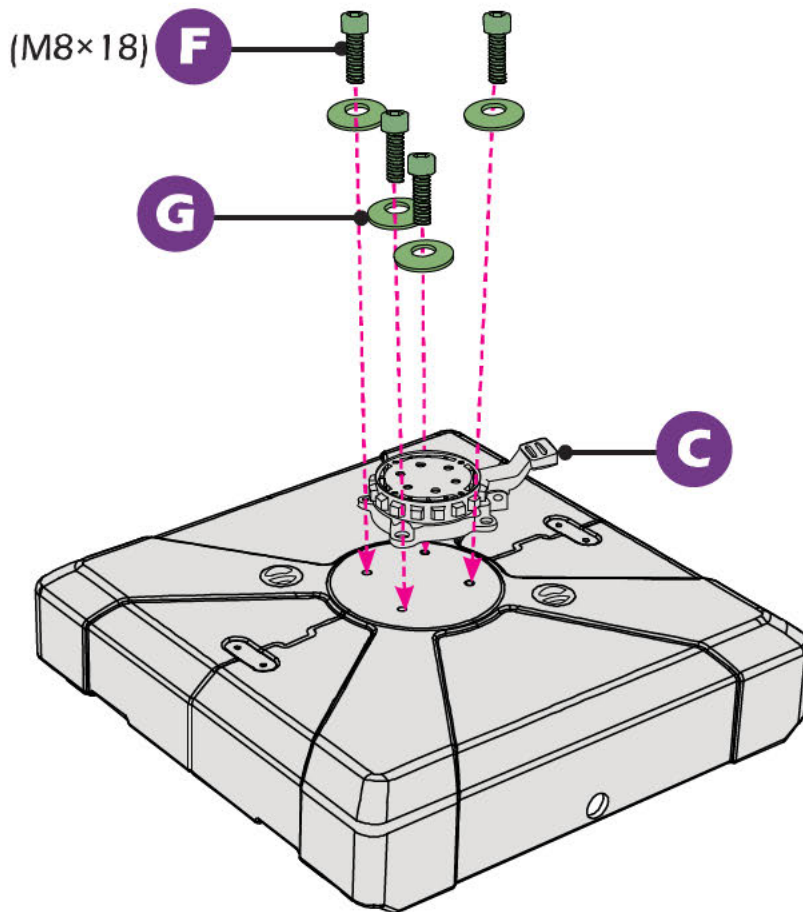
F X4
(M8 x 18)



G X4



**Option 1 / Sand/Water Tank Base
(Sold Separately)**



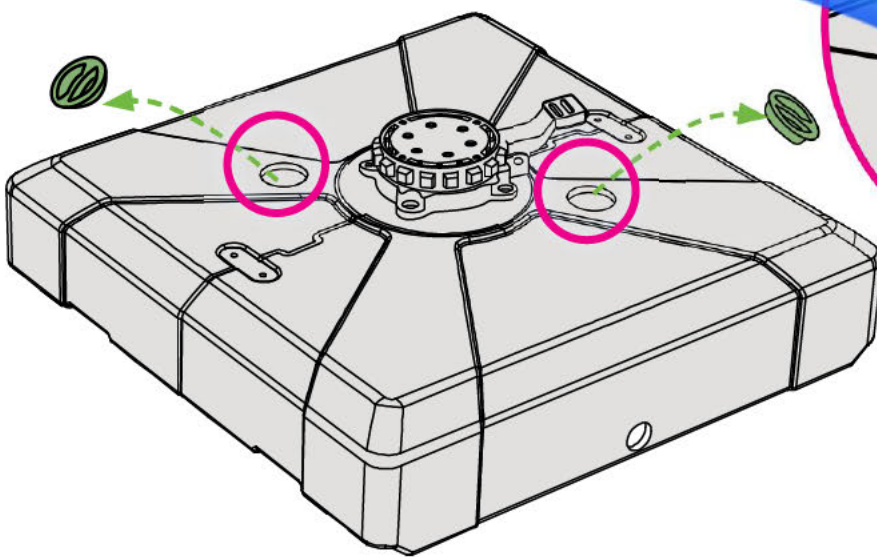
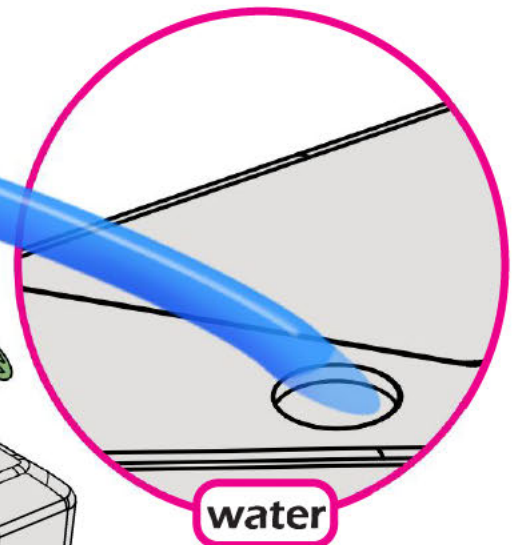
Attach the rotating part C to the base with four part F screws and four part G washers.

Base Tube Assembly

Fill the base with at least 50% sand and the rest with water.



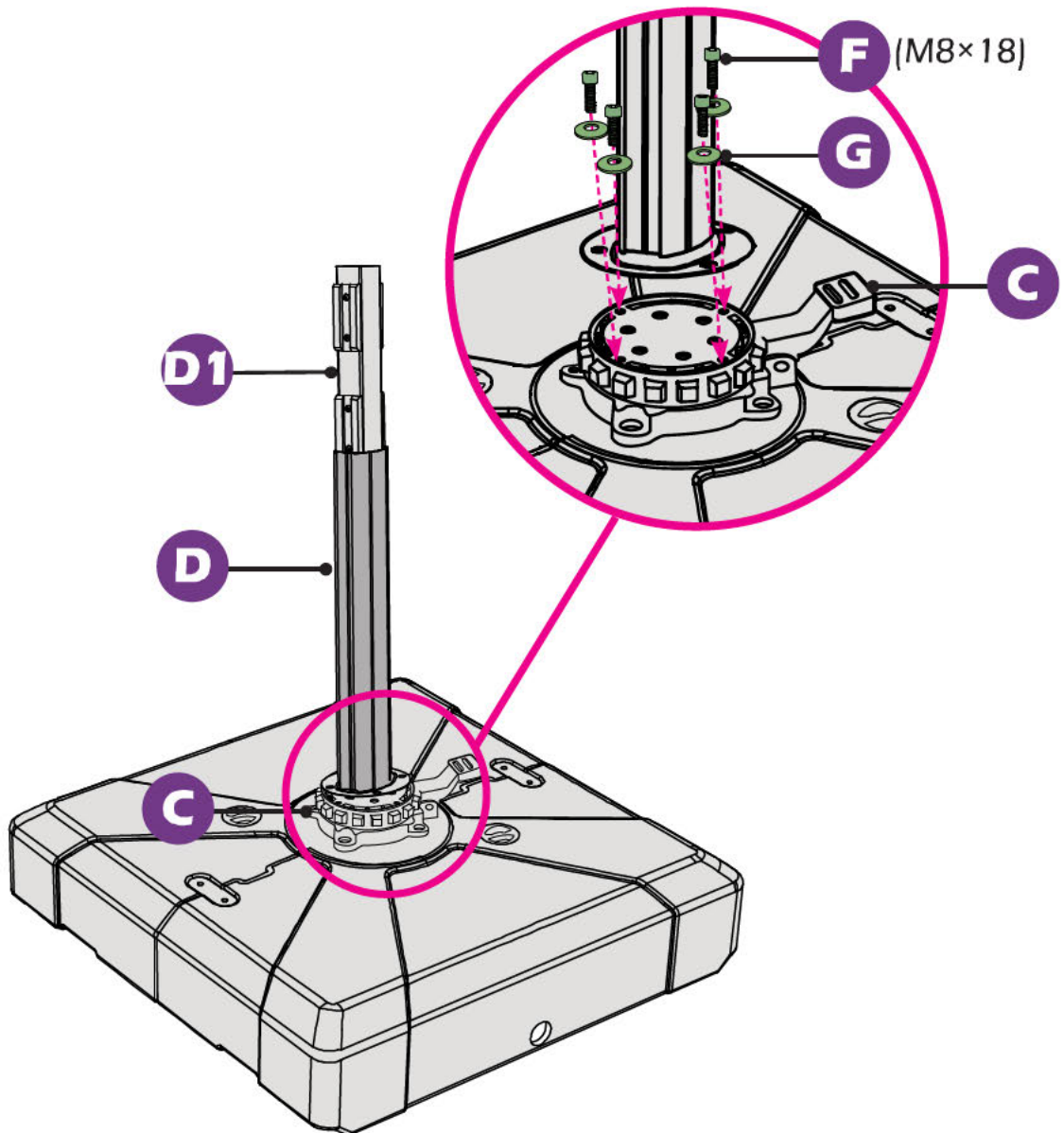
and



Base Tube Assembly



Attach part D1 with part D to the part C rotating base. Use the part F screws and part G washers to fix the parts.



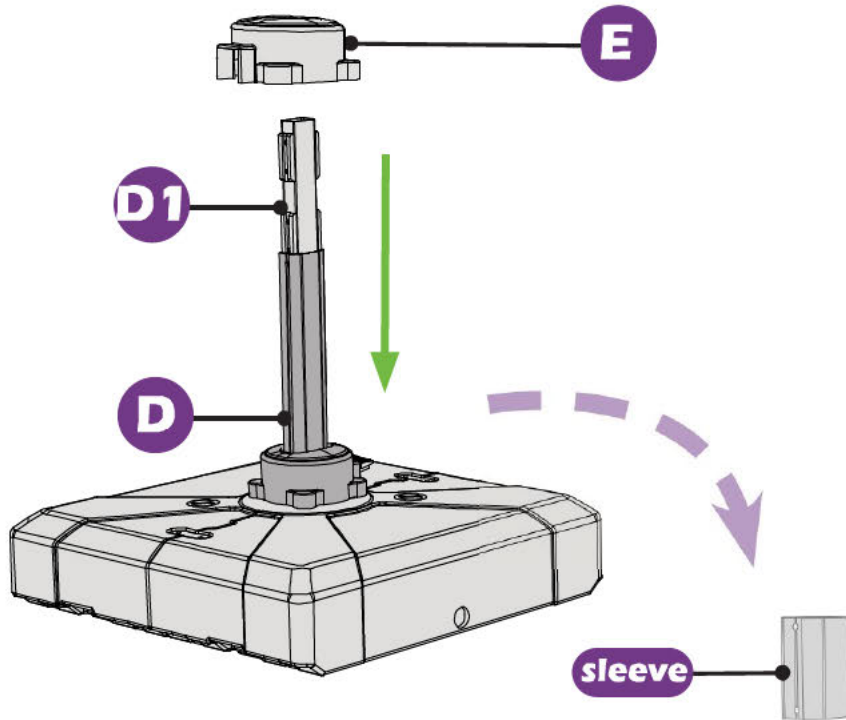
Base Tube Assembly



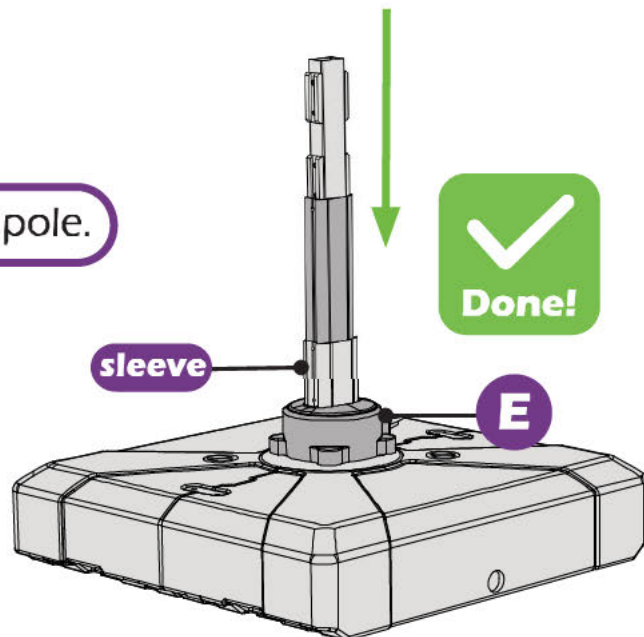
E X1



Slide the Part E base cover onto the pole.



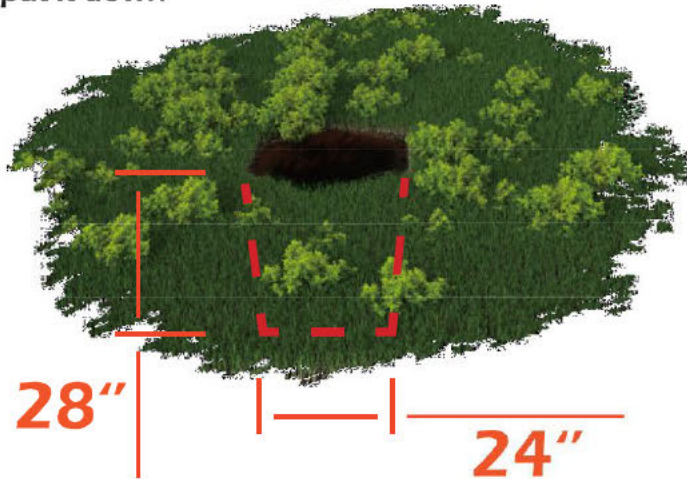
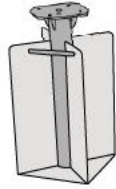
Reinsert the sleeve onto the pole.



Base Tube Assembly

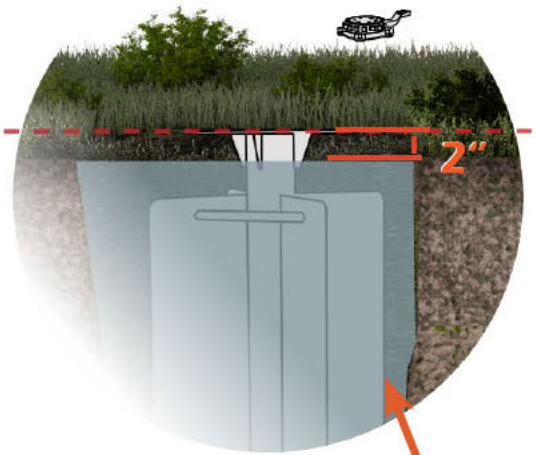
Option 2 / Inground Base (Sold Separately)

gently
put it down



Dig a hole roughly 28" deep and 24" across. Gently put the inground base in the hole and make sure it is level before backfilling the hole with concrete.

That is horizontal.



Concrete >700lbs



concrete

Base Tube Assembly



C X1



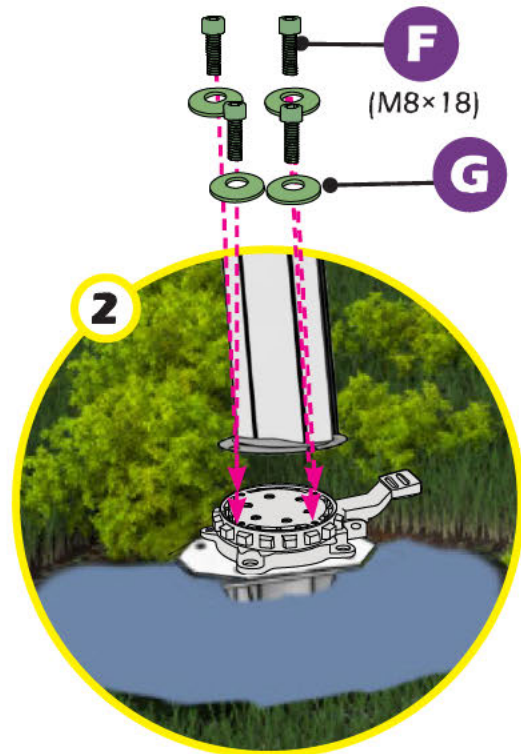
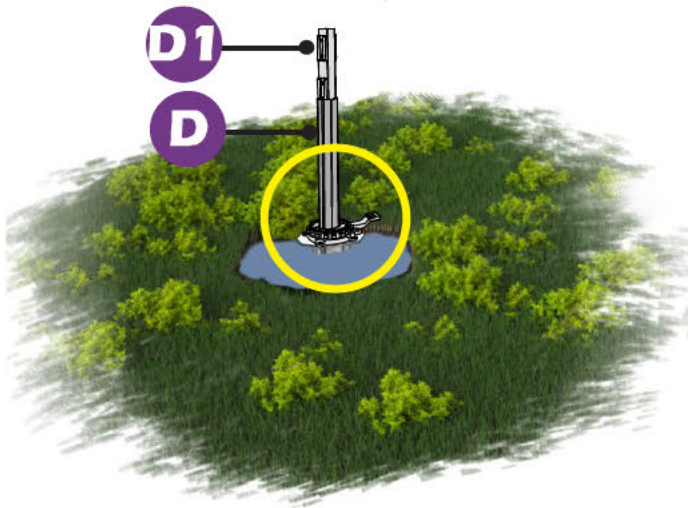
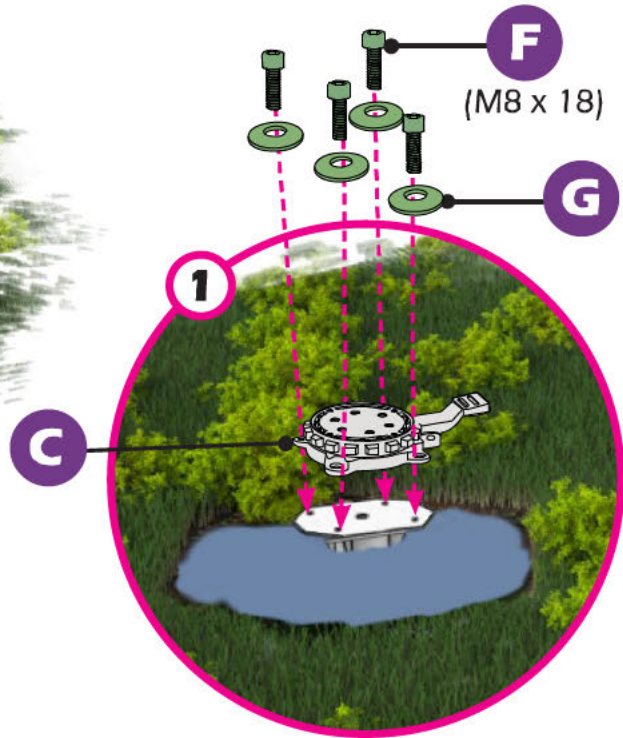
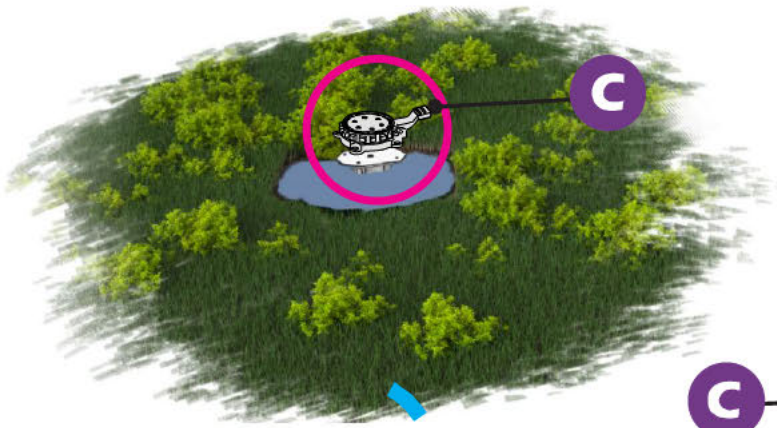
F X8
(M8 x 18)



G X8

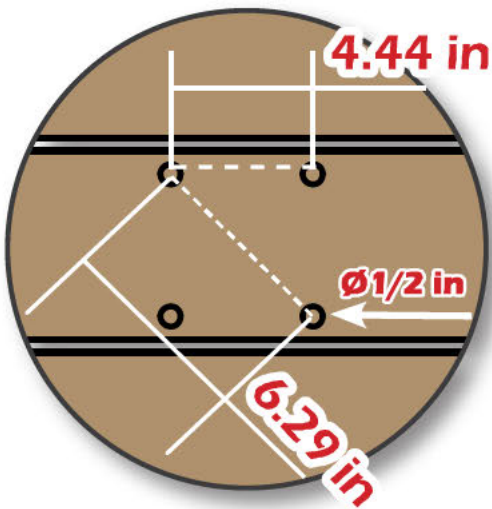


Install the umbrella after the concrete is cured.

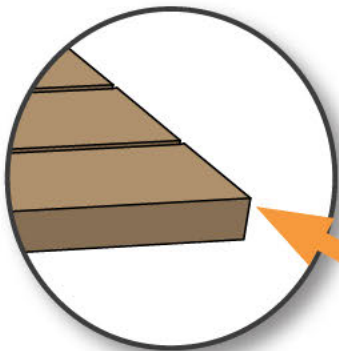


Base Tube Assembly

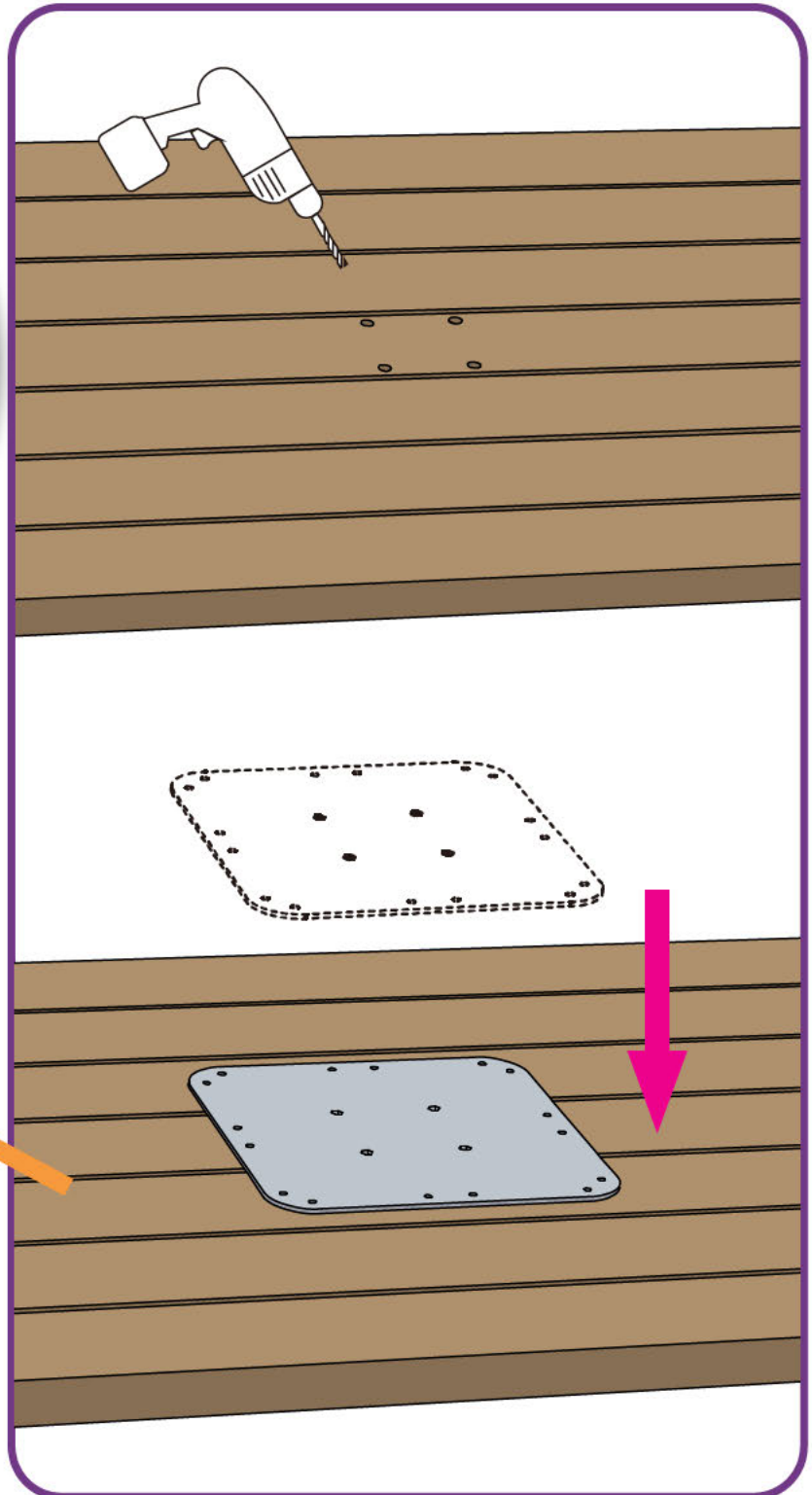
Option 3 / Baseplate (Sold Separately)



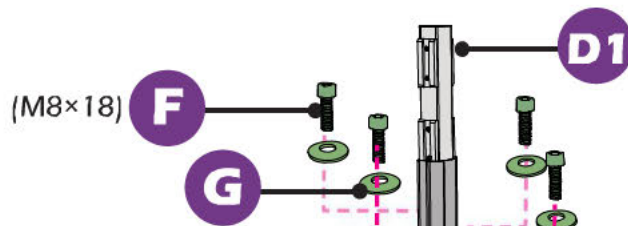
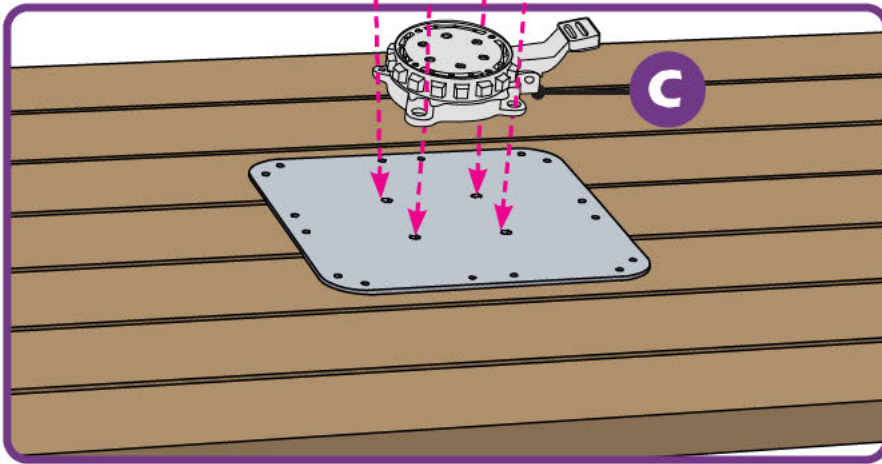
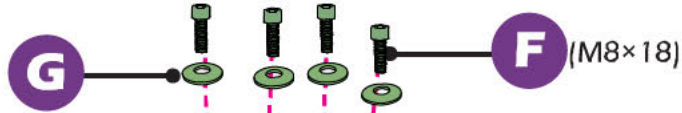
Drill holes in the deck to accommodate the extra length of four F bolts.



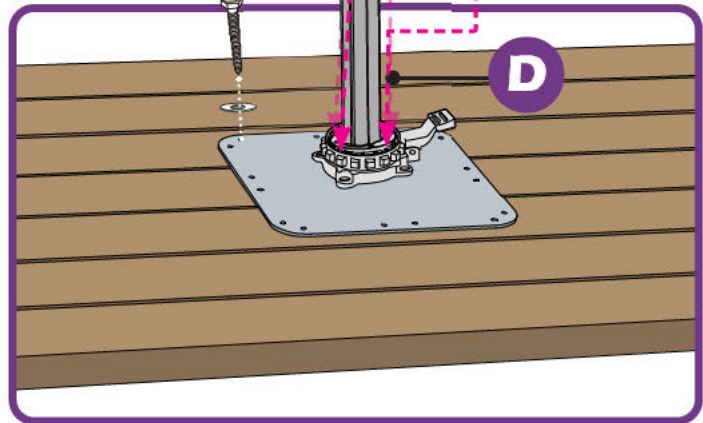
If the deck is hardwood, the required depth should be more than 0.5 inches.



Base Tube Assembly

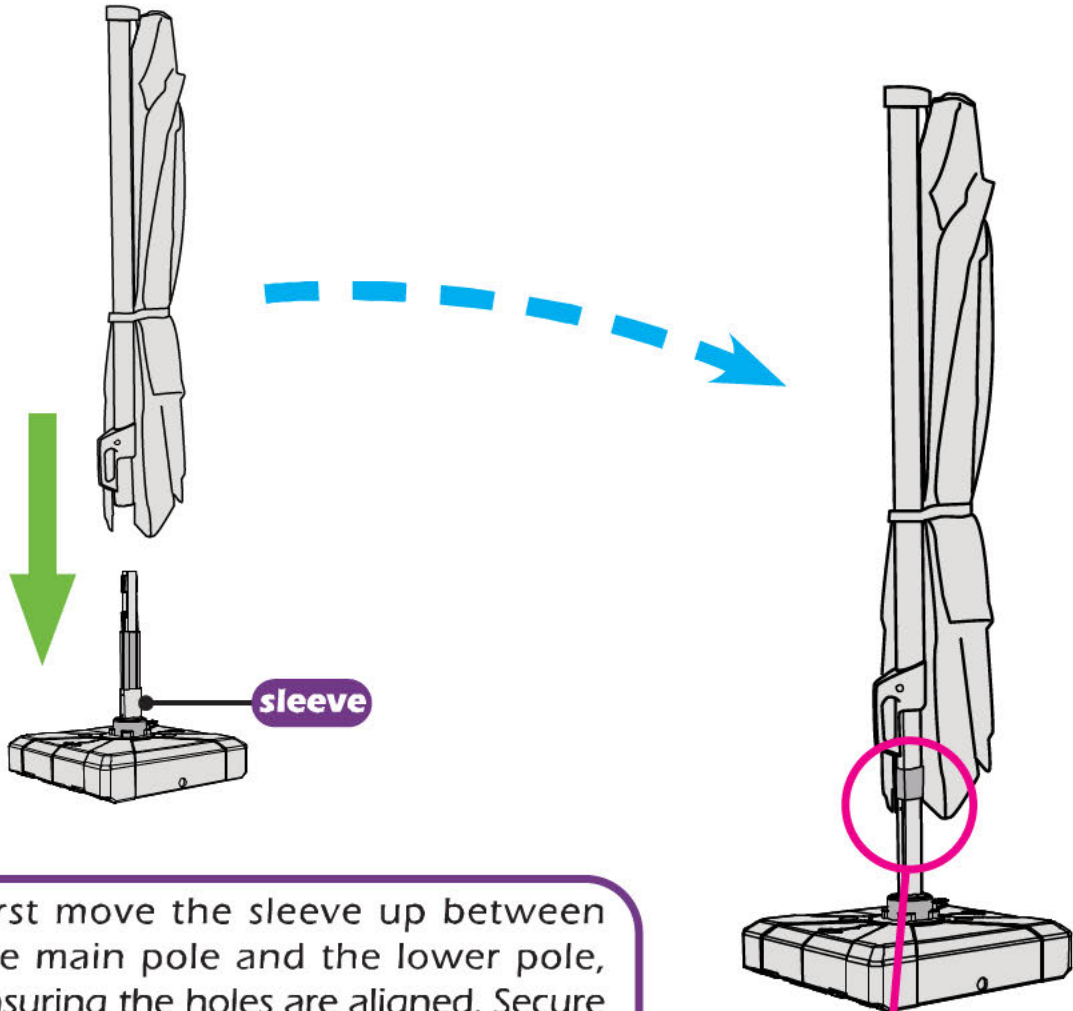


Use **1/4 inch** -diameter galvanized/stainless lag screws to mount the plate to the deck (included in the base plate package).

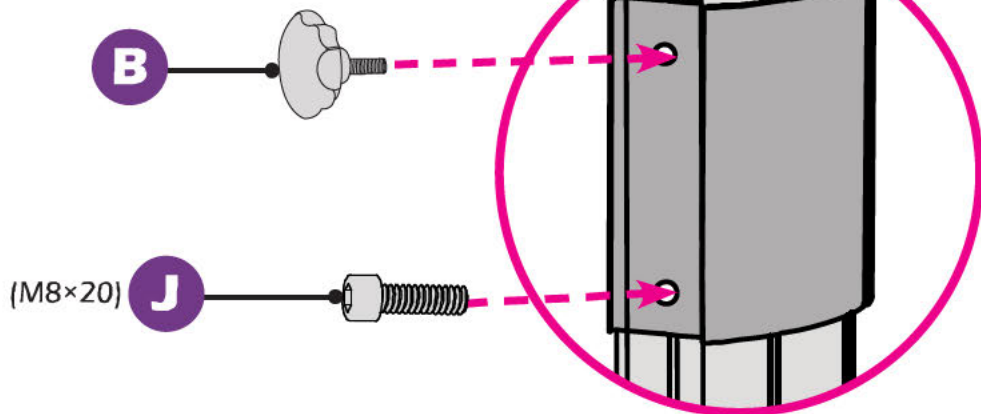


Umbrella Assembly

- 1 Insert the canopy onto the pole

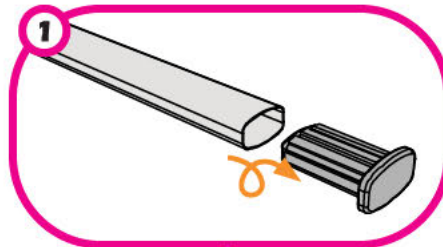
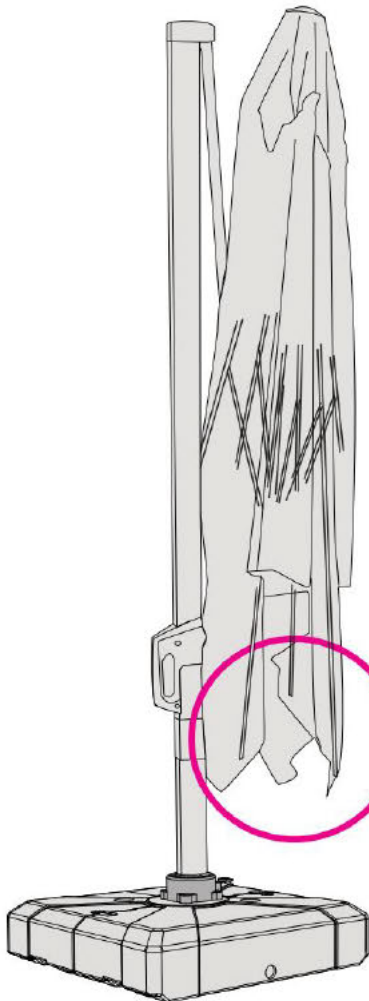


- 2 First move the sleeve up between the main pole and the lower pole, ensuring the holes are aligned. Secure the sleeve by using the Part B knob and Part J screw to fix it firmly in place between the poles.

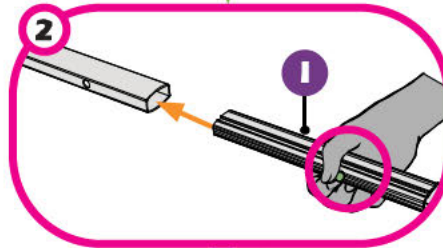


Umbrella Assembly

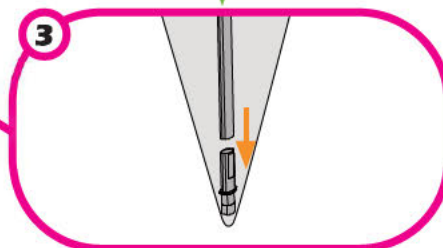
CAUTION: You may choose to open the canopy a bit to install the parts I (extension ribs). Be sure to remove all the protective material inside.



Remove the plastic inserts at the end of the long ribs on the canopy corner.



Press the button on Part I and insert it into the long rib on the canopy corner.

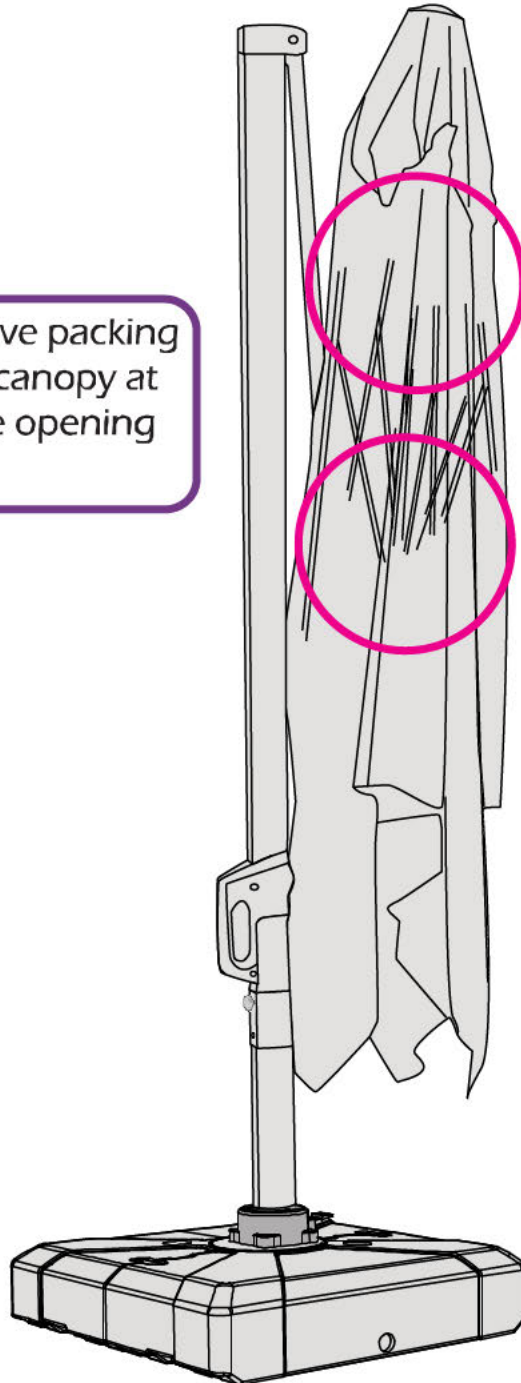


Insert the plastic end pieces into the umbrella ribs

Repeat the above steps to finish the installation of the other three parts I.

Before Operation

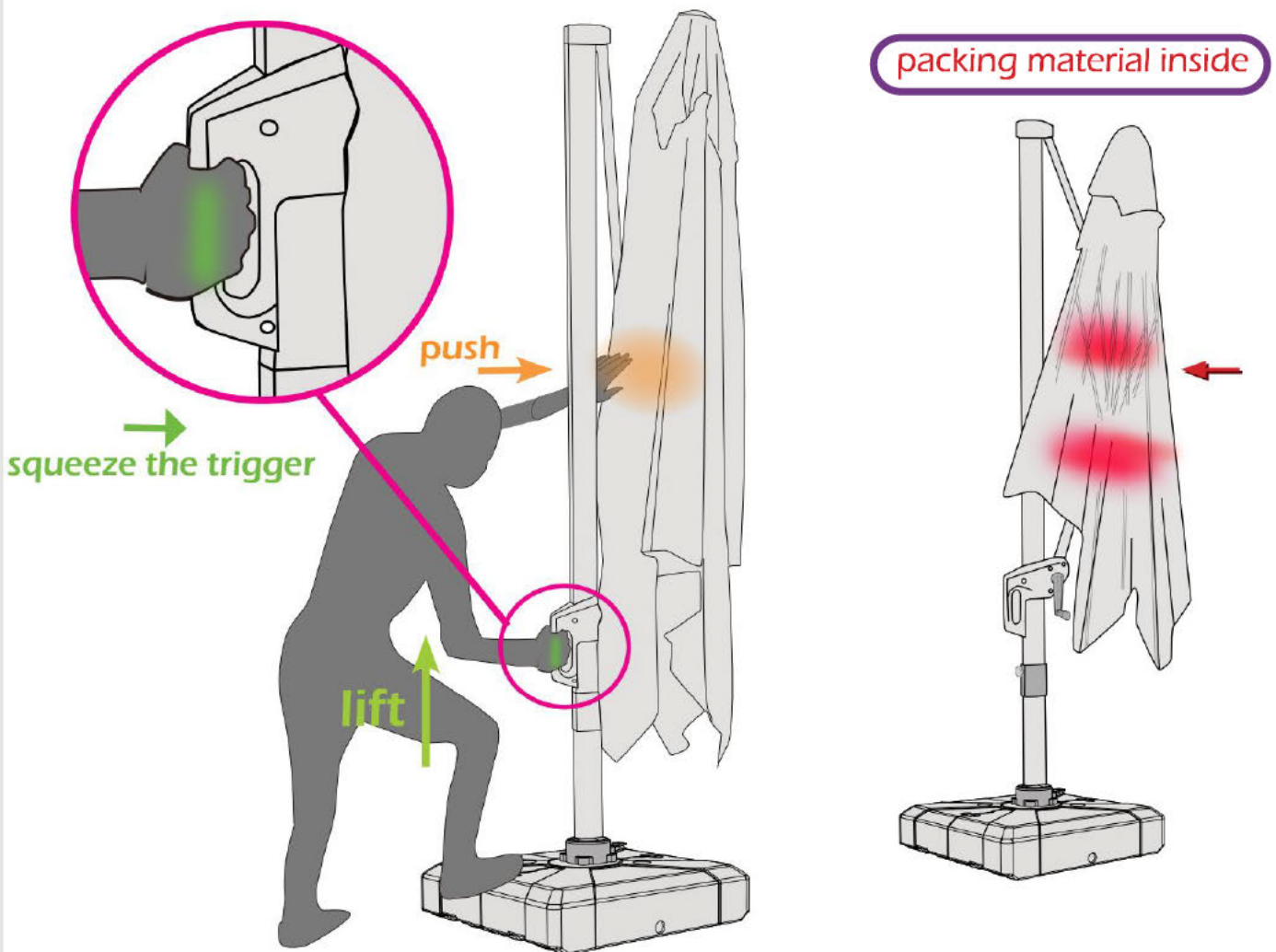
Remove the protective packing materials inside the canopy at two locations before opening the umbrella.



Operation

To Open Canopy

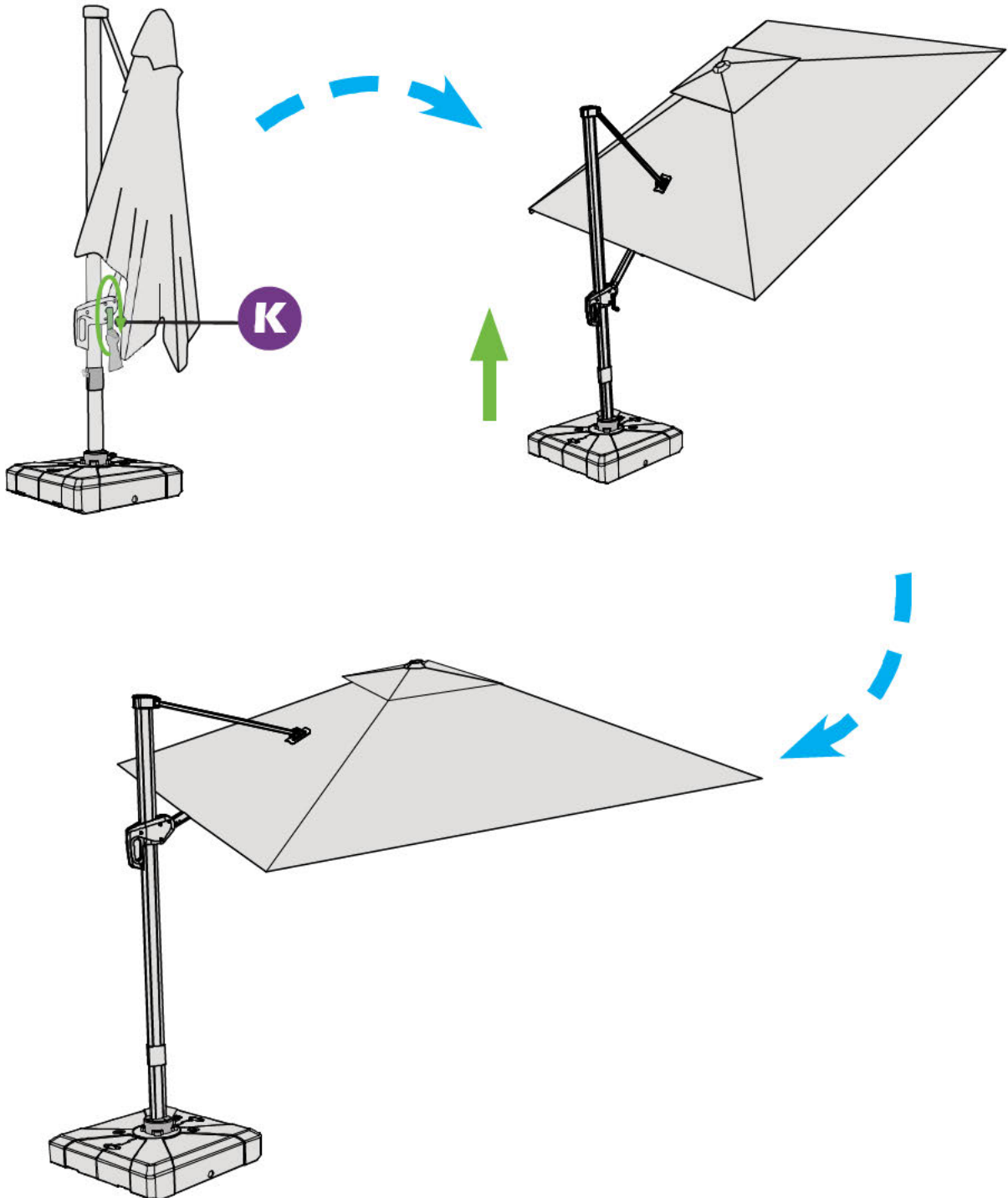
1. Squeeze the trigger and push out the support arm to lift the handle up. Release the trigger to lock the handle in your desired position.
2. Insert the **hand crank (K)** into the small hole of the handle on the post.



Note: Be mindful of the packaging in the umbrella canopy. It **MUST** be removed before opening.

Operation

Turn the hand crank clockwise to open the canopy.

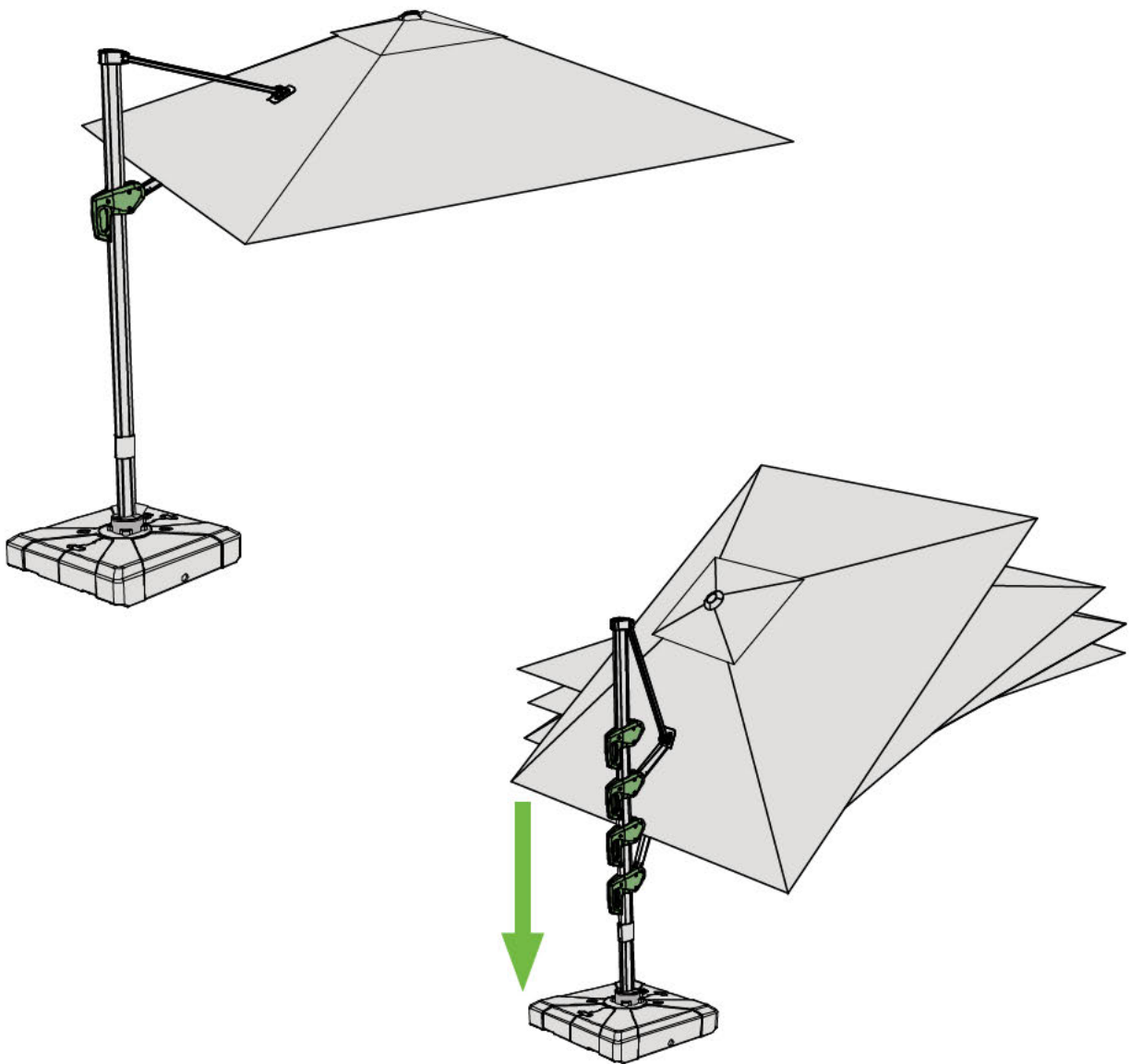


Operation

To Tilt Canopy

Press on the handle trigger and move the handle up and down to adjust the angle of the umbrella canopy. Release the handle to lock it in your desired position.

IMPORTANT: Before using the tilt function, ensure the area behind you is clear and free from any furniture or structures to avoid personal injury or damage to the umbrella.

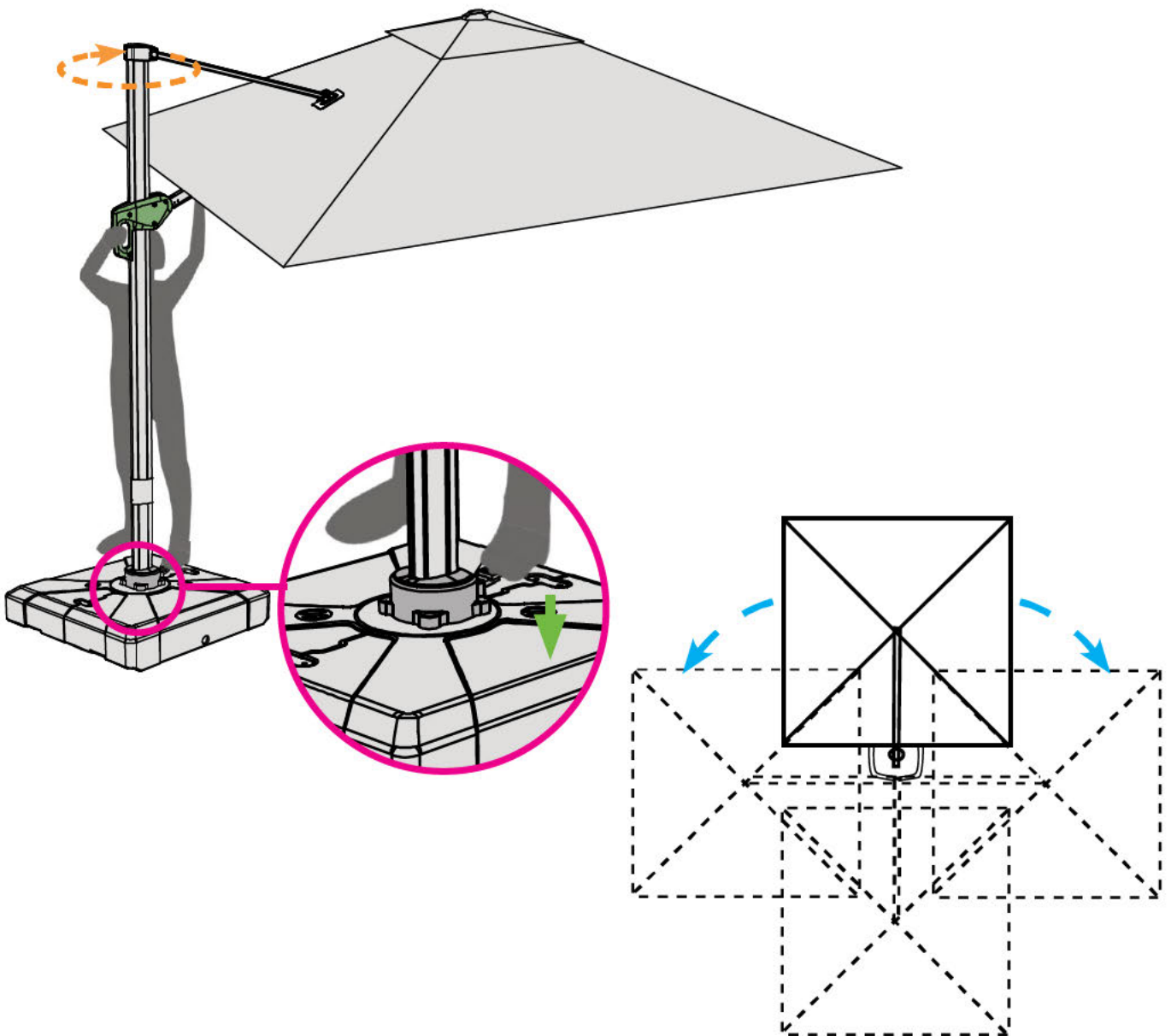


Operation

To Operate the 360° Rotation

Step on the pedal gently while maintaining a firm grip on the handle and support arm. Slowly rotate the umbrella in your desired direction.

IMPORTANT: Throughout the rotation process, be mindful of any obstacles or overhead structures to avoid collisions or damage.

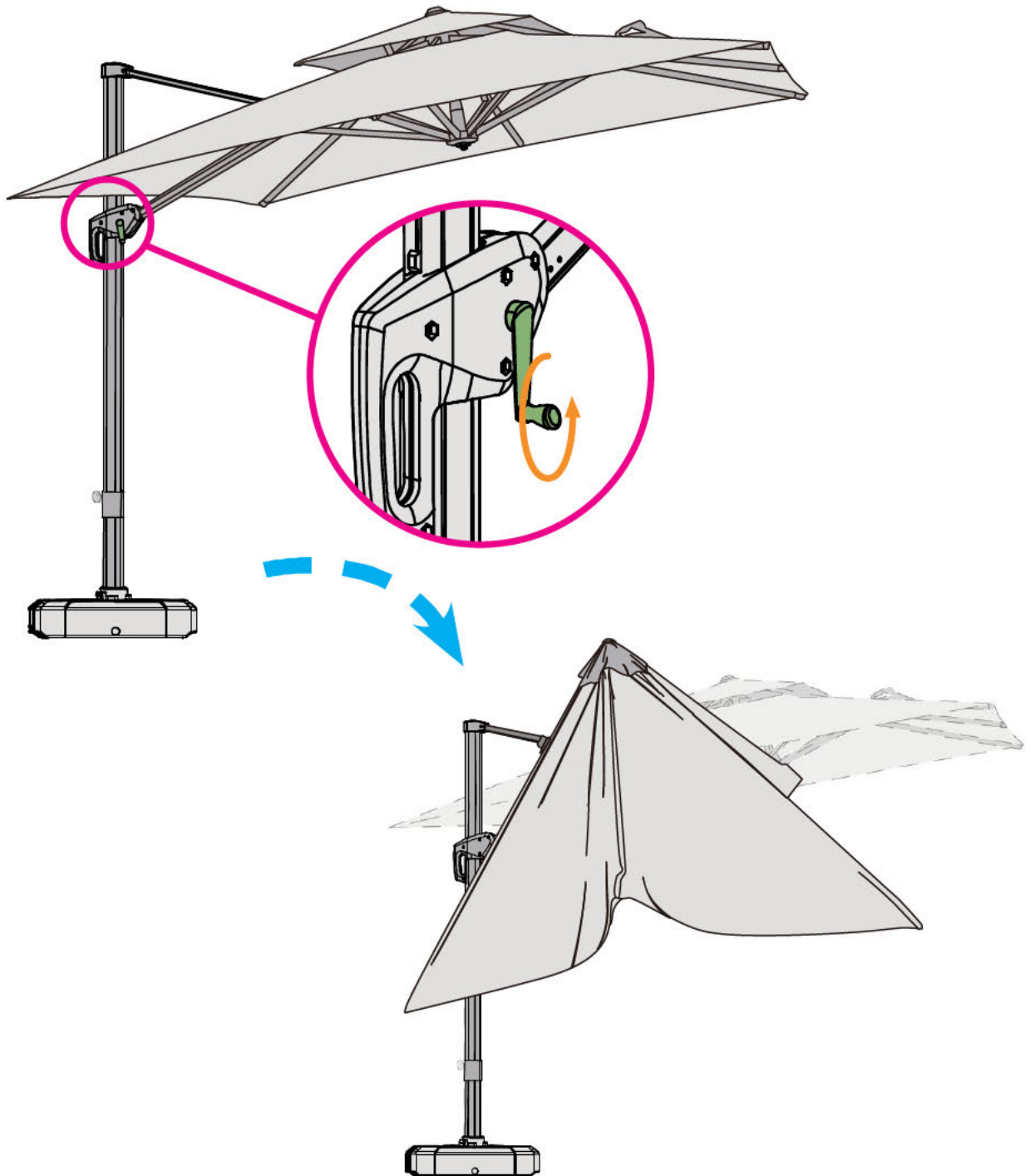


Operation

To Close Canopy

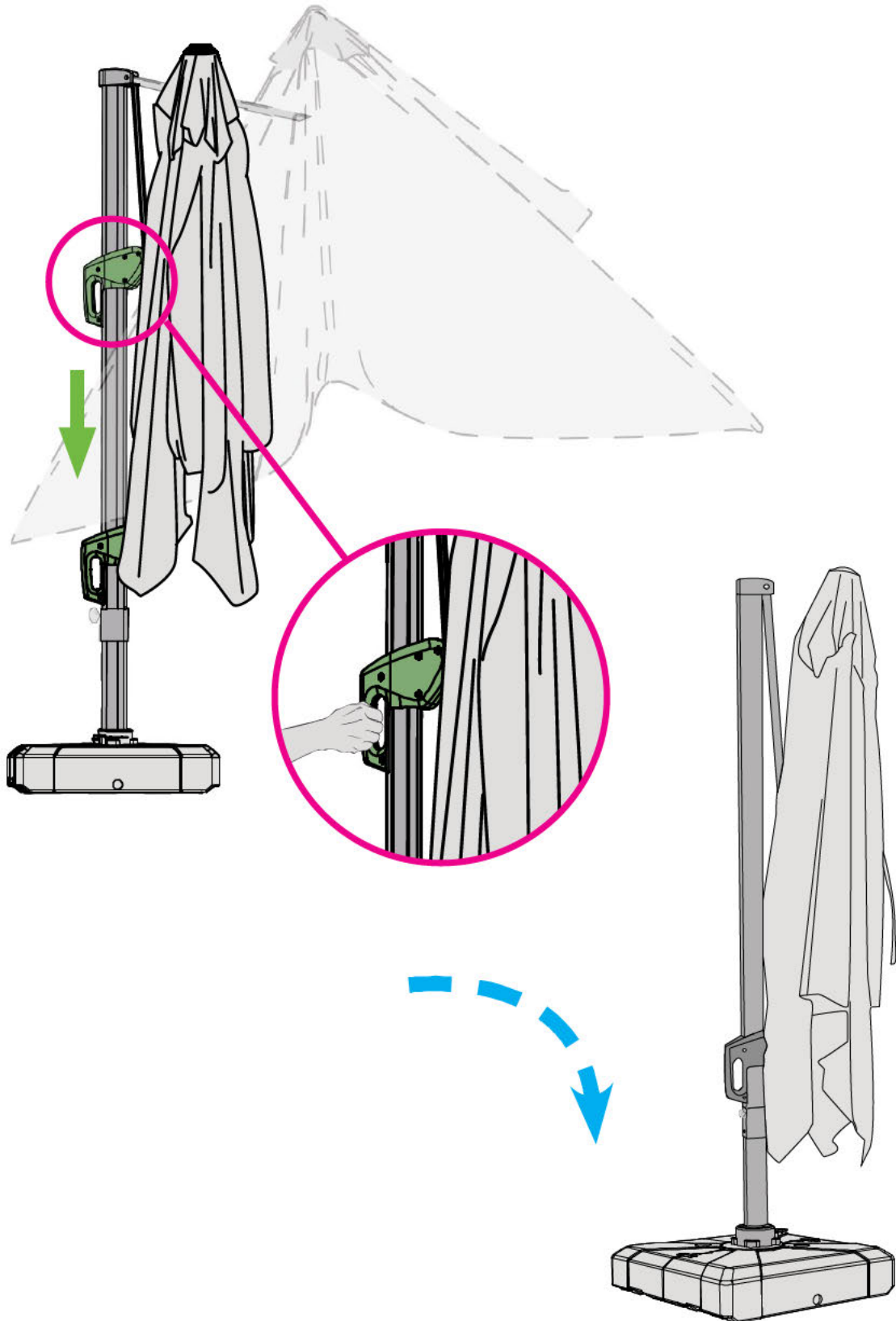
Turn the hand crank counterclockwise to close the canopy.

IMPORTANT: While closing the umbrella, ensure the area around it is clear of obstacles and that no one is near the umbrella.



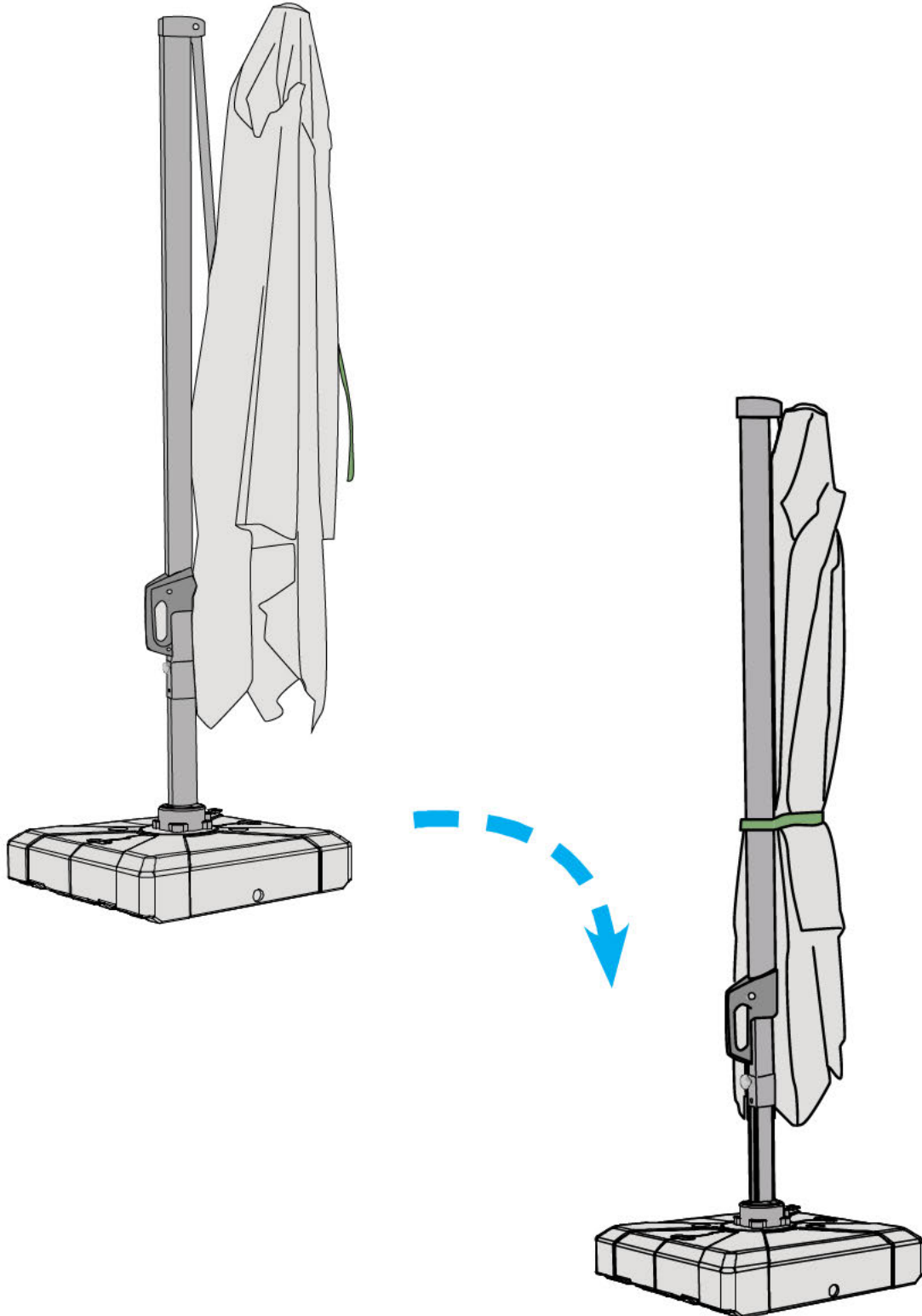
Operation

Move the handle to its lowest point.



Operation

Secure the closed canopy to the pole with a strap.

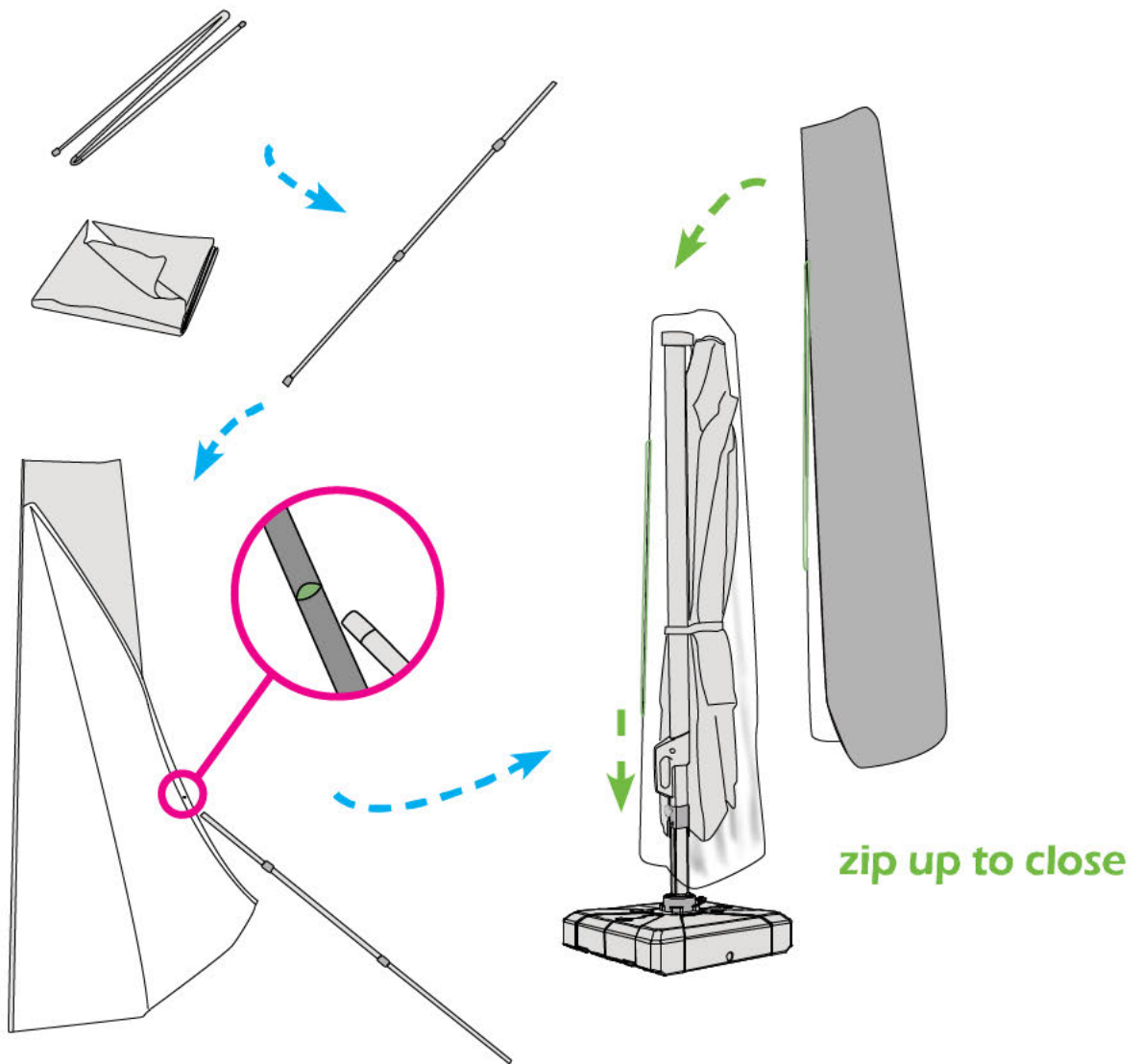


Separate Accessory

To Use Umbrella Cover (Sold Separately)

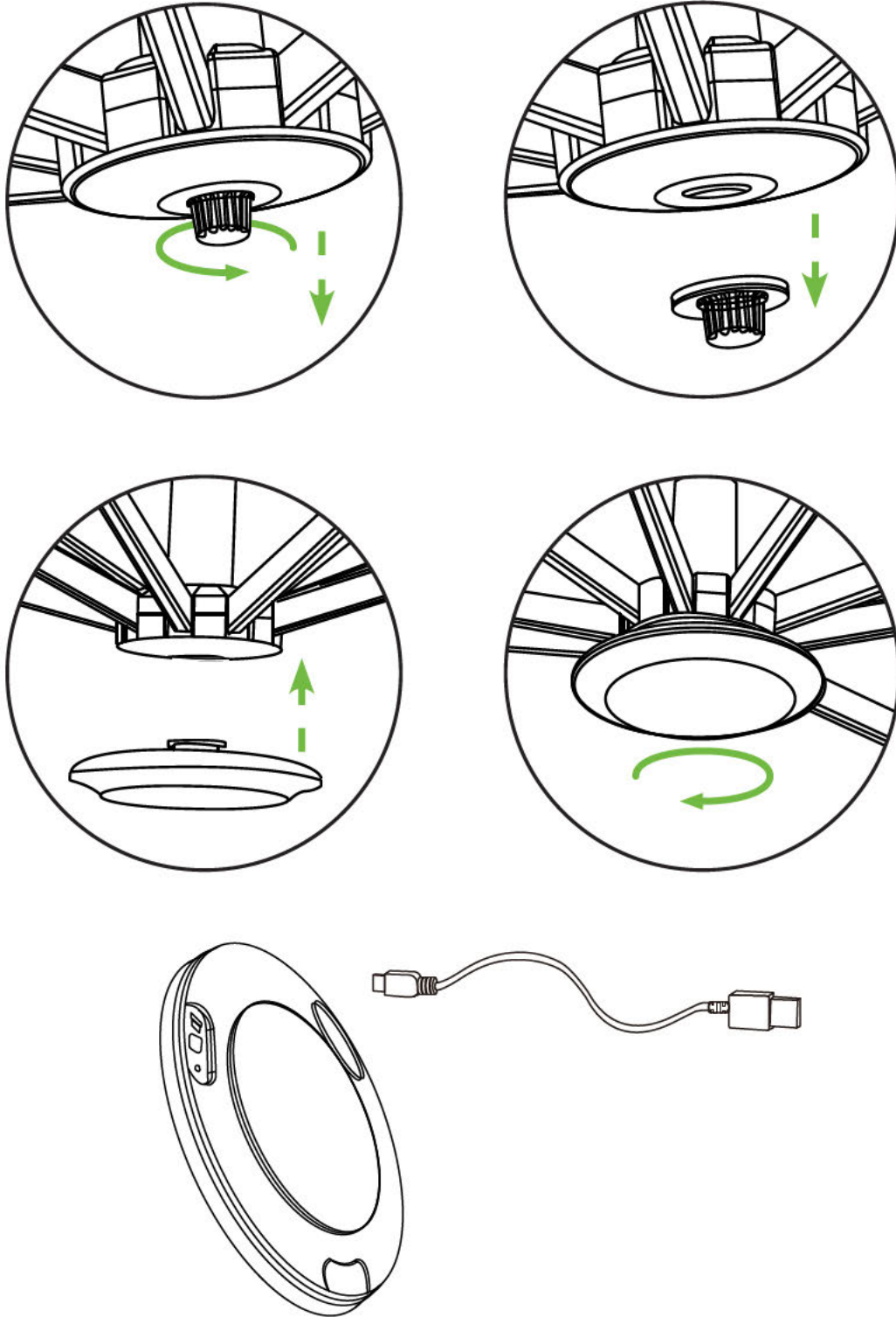
Assemble the cover pole. Slide the pole into the cover. Place the cover over the umbrella and zip it up. Remove the cover pole.

IMPORTANT: Ensure the umbrella fabric is completely dry before using the cover.



Separate Accessory

To Install Umbrella Light (Sold Separately)



Notification

WARRANTY

Frame

Frames are warranted to be free from defects in materials and workmanship for a period of one year. Damage to frames or welds due to improper assembly or exposure to water and sub-freezing temperatures is not covered.

Fabric

Fabric is warranted for a period of three years. Fading or discoloration resulting from exposure to the elements, chemicals, or from spills is not covered.

Finish

The finish is warranted against peeling, cracking, or blistering for a period of one year, provided the unit has not been scratched or abraded. Scratches and chips resulting from abnormal wear and tear are not covered. Fading resulting from exposure to elements is not covered.

Note

All operations should be conducted in accordance with the instruction manual.

Exclusions

This warranty applies exclusively to the original purchase order from Purple Leaf.

Failures resulting from unreasonable or abusive use, as well as neglect of reasonable and necessary care, are not covered. Damage to the umbrella caused by animals is also excluded from warranty coverage. Acts of nature, including but not limited to wind, hurricanes, tornadoes, and storms, are not covered under this warranty.

Purple Leaf reserves the right to explain warranty exclusions.

Notification

SAFETY PRECAUTIONS

Child Safety

Always supervise and take care of children under or around the patio umbrella, especially when it is open and in use.

Teach children not to play with or hang on the umbrella, as this can cause it to topple over.

Keep children away from the umbrella's moving parts, such as the crank mechanism or tilt mechanism, to prevent pinching or trapping fingers.

Store any removable parts, such as crank handles, out of reach of children.

Safe Use

Do not use your umbrella during inclement weather, including but not limited to, windy conditions, thunderstorms, heavy rains, or freezing temperatures.

Do not leave the umbrella unattended when it is in use and open.

Inspect Regularly

Check for loose parts, sharp edges, or any other hazards. Tighten screws and bolts as needed and make any necessary adjustments to ensure the umbrella remains securely in place.

Notification

Cleaning & Maintenance

Routine maintenance

Close the umbrella when not in use to protect it from sun exposure, wind, and harsh weather conditions. Use a protective cover (sold separately) to shield the umbrella from dirt, dust, and moisture.

During adverse weather conditions or the winter, store the umbrella in a clean, dry place indoors to prevent damage from prolonged exposure to the elements. Before putting it into storage or covering, ensure the entire unit is clean and fully dry.

Metal Frame

Inspect the frame and hardware regularly for signs of wear, rust, or corrosion. Replace any damaged or worn-out components promptly.

After installation, periodically tighten bolts and nuts as needed and make any necessary adjustments to ensure safety.

Canopy Fabric

Regularly clean the umbrella fabric with a solution of mild soap and warm water. Gently scrub with a soft brush or sponge, then rinse thoroughly. Do not use bleach, acid, solvents, or abrasive cleaners on the fabric.

Allow the fabric to air dry completely before closing the umbrella to prevent mildew and mold growth.

Attention

The umbrella base tube is inclined 3 degrees backward from the vertical for engineering purposes.

