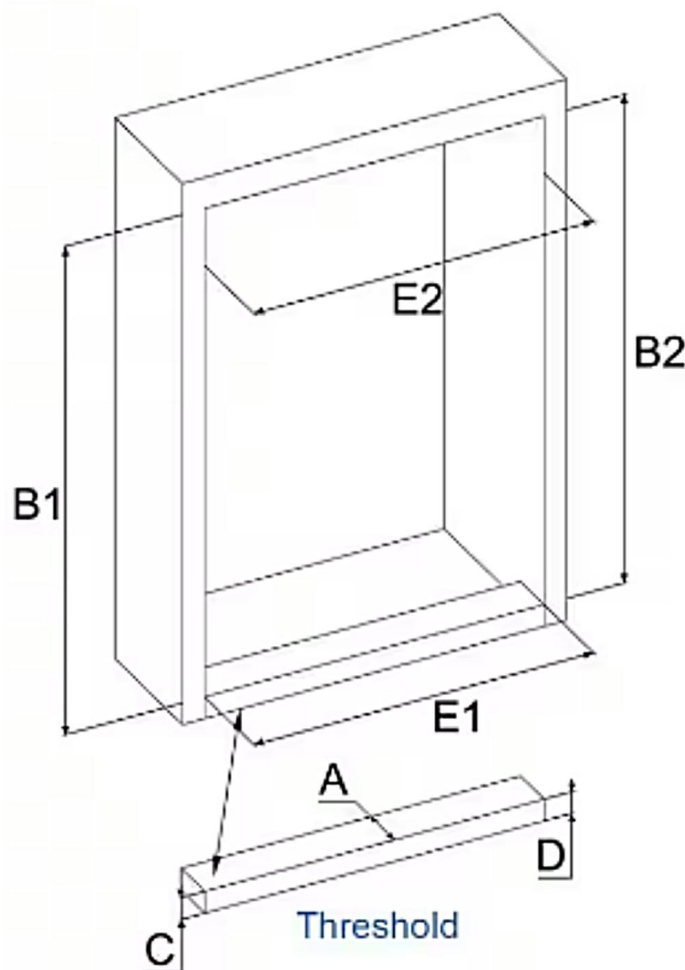


Shower Measurement Guide

Shower Door/Tub Door



Before choosing the right shower/tub door, you need to make right measurements:

1: Threshold/Tub Outside Edge Width
Measure the depth **A** of the shower/tub threshold from front to back.

2: Horizontal Opening
Measure the width of opening **E2** at the top and **E1** at the bottom. The top measurement location at 72 in. high for shower door and for tub door at 60 in. High.

3: Vertical Opening
Measure height from the top of threshold(shower/tub)to the top of tile (or acrylic) surround wall **B2**.

4. Both Walls Offset
Measure the offset of both walls **B1, B2**.

5. Threshold Offset
Measurement of the height offset between the threshold ends **C, D**, and the height offset between the inside and outside ends.