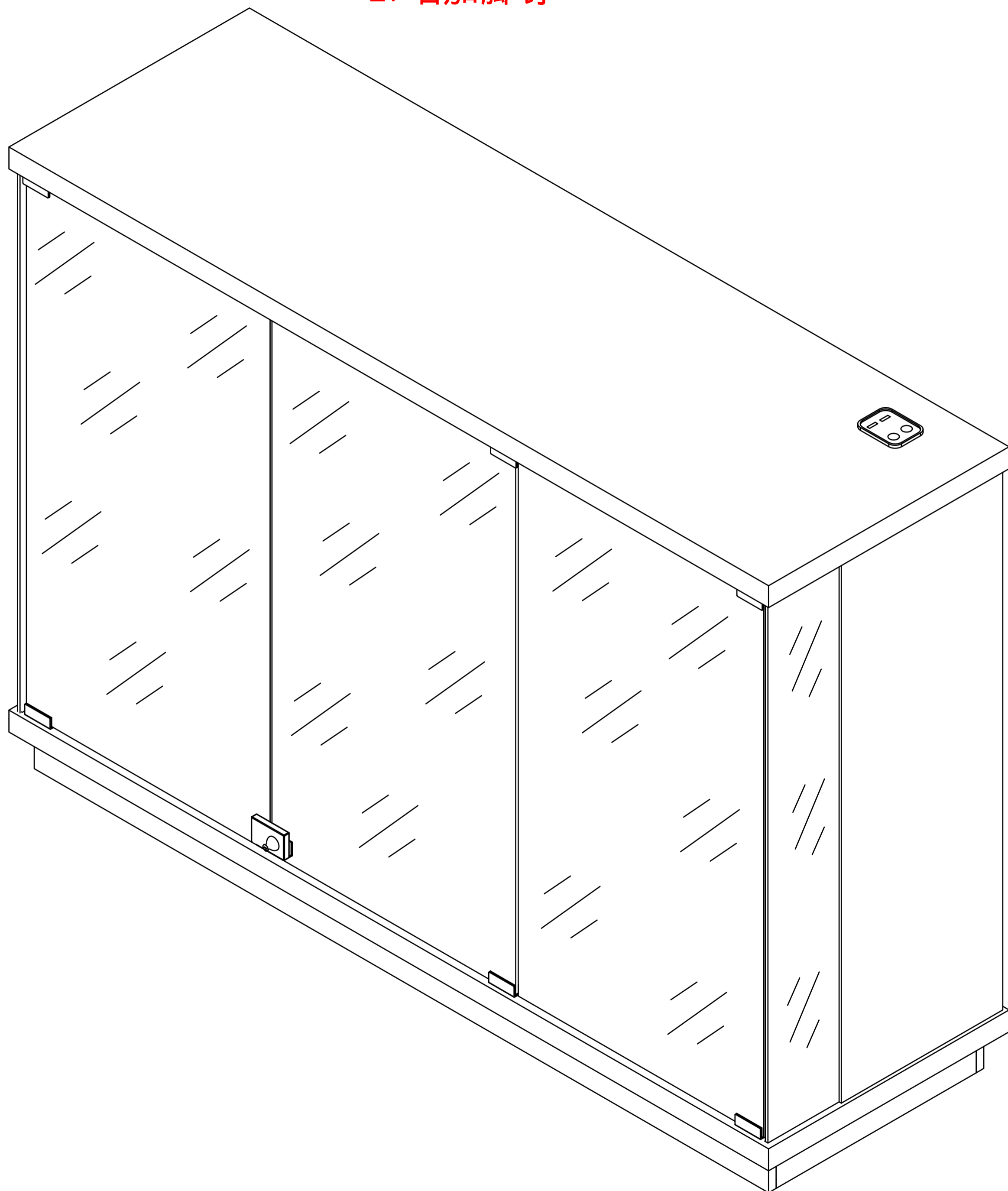
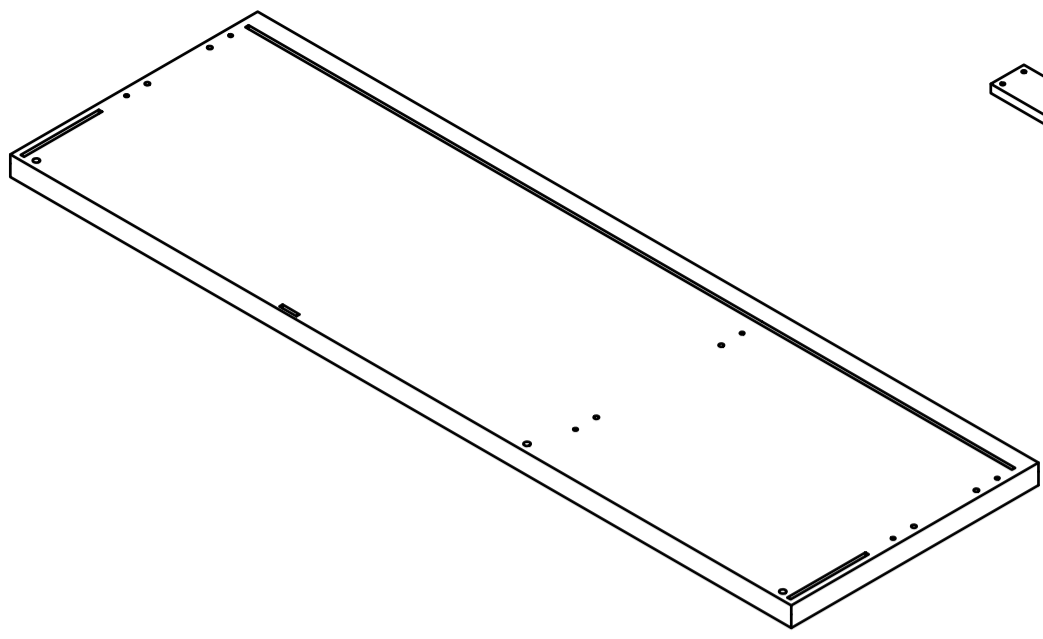


Product Installation Instructions

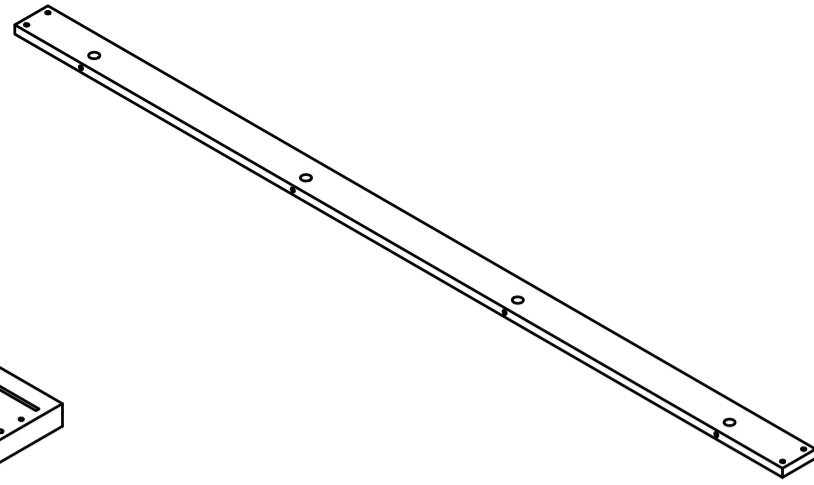
同

1. 背板夹条-5号配件 1分为二
2. 增加脚钉

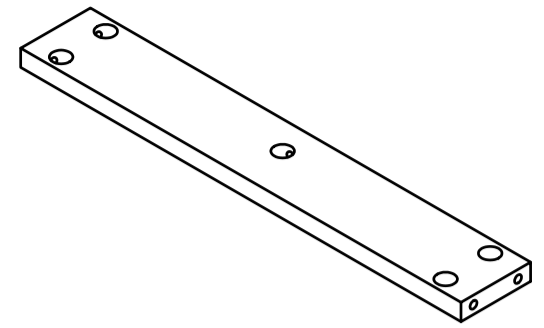




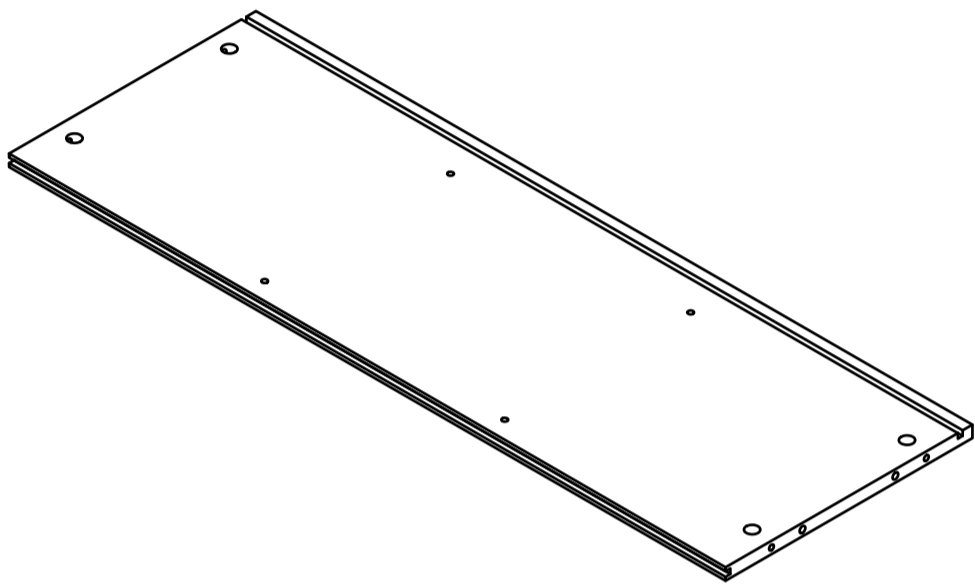
A x1



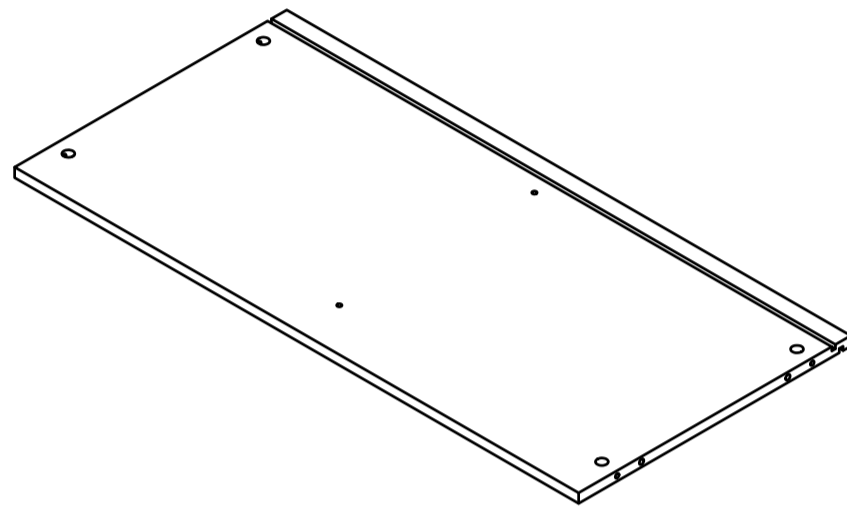
B x2



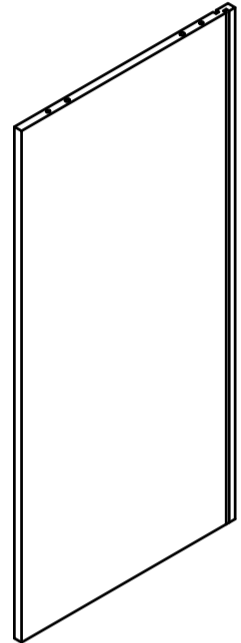
C x2



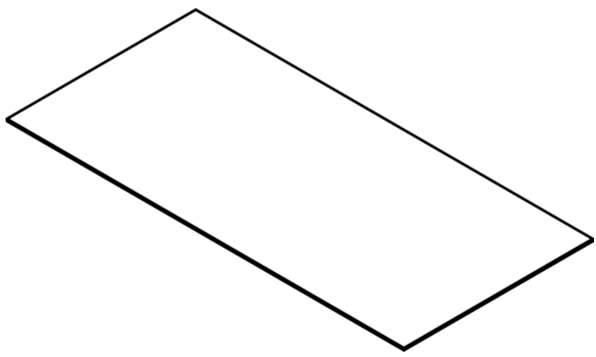
D x1



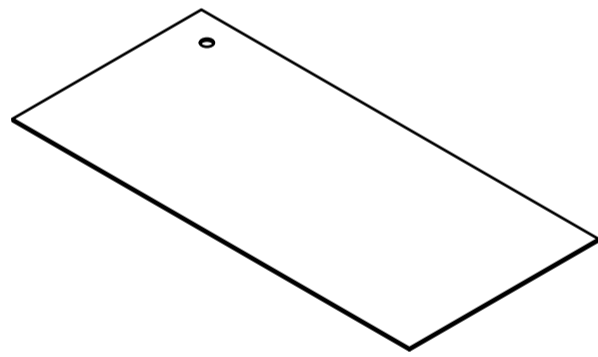
E x1



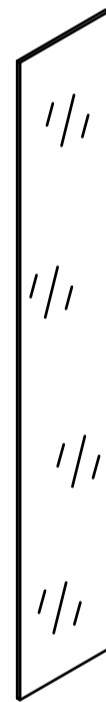
F x1



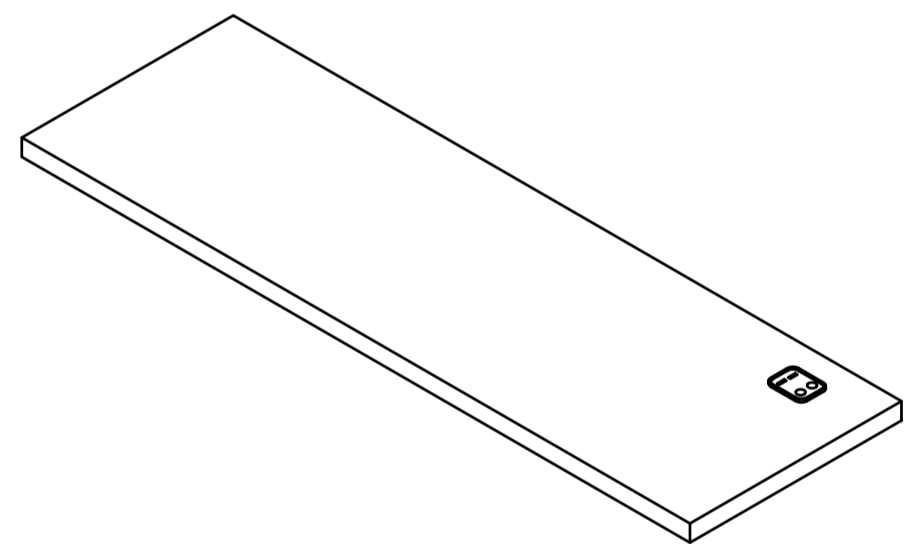
G1x1



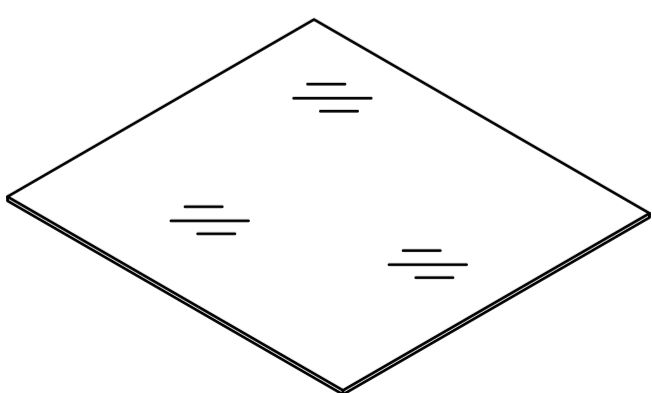
G2x1



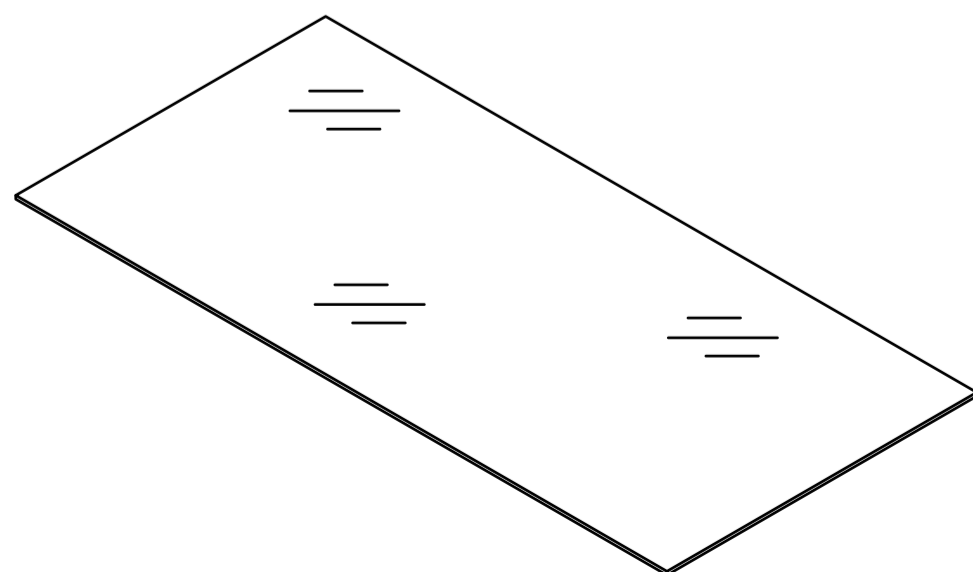
H x2



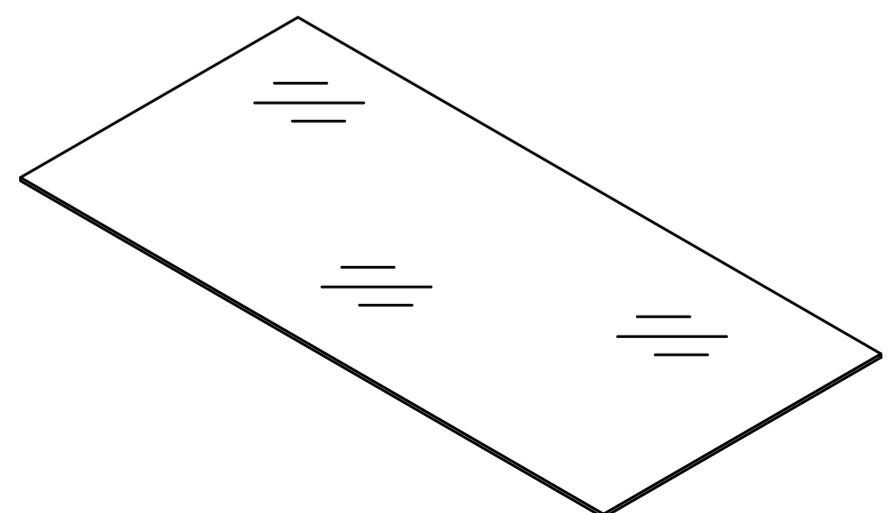
I x1



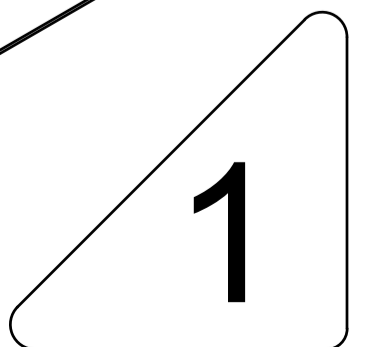
J x2



K x1

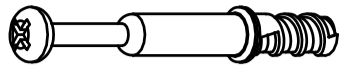
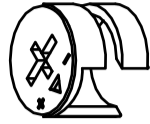
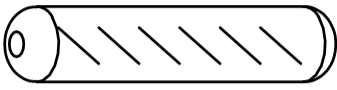








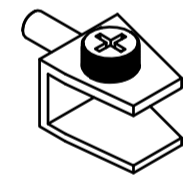
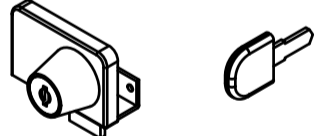
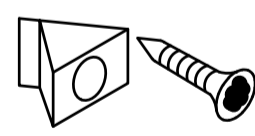
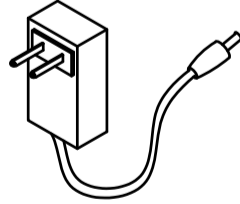
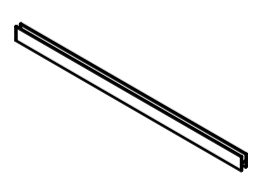
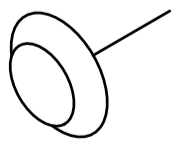


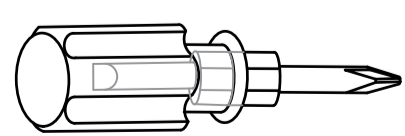
L x3



1

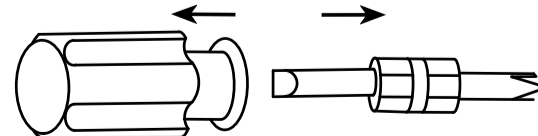
Accessories list

①		Two In One Screw (6x28mm)	30pcs +3pcs
②		Two In One Nut (10x12mm)	30pcs +3pcs
③		Wood Chipping (6x30mm)	10pcs +2pcs
④		Non-slip pads (50x10x2mm)	10pcs +2pcs
⑤		Back panel fasteners	1pcs
⑥		Rebound device & Screw (3x16mm) Iron sheet Hinge	1pcs 4pcs
			1pcs 1pcs
			2pcs 1pcs
⑦		Rebound device & Screw (3x16mm) Iron sheet Hinge	1pcs 4pcs
			2pcs 2pcs
			4pcs 2pcs
⑧		Laminate support nail	12pcs +2pcs
⑨		Single door glass lock Key	1pcs
⑩		Fixing clip & screw (3x16mm)	10pcs +2pcs
⑪		AC/DC Adapter (12V=2.0A)	1pcs
⑫		Back panel fasteners	1pcs
⑬		nail	1pcs



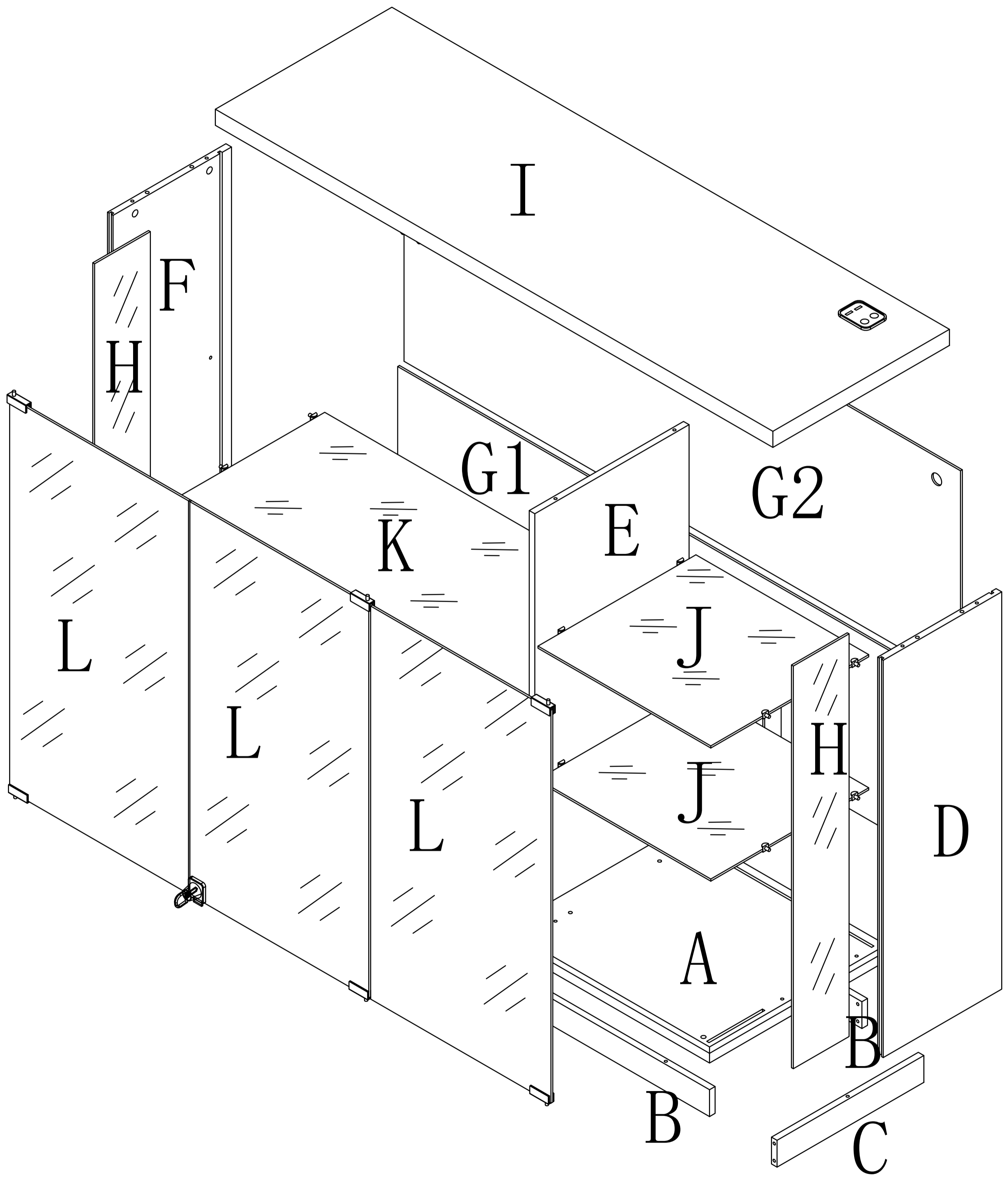
1pcs

Double-head screwdriver, use as required



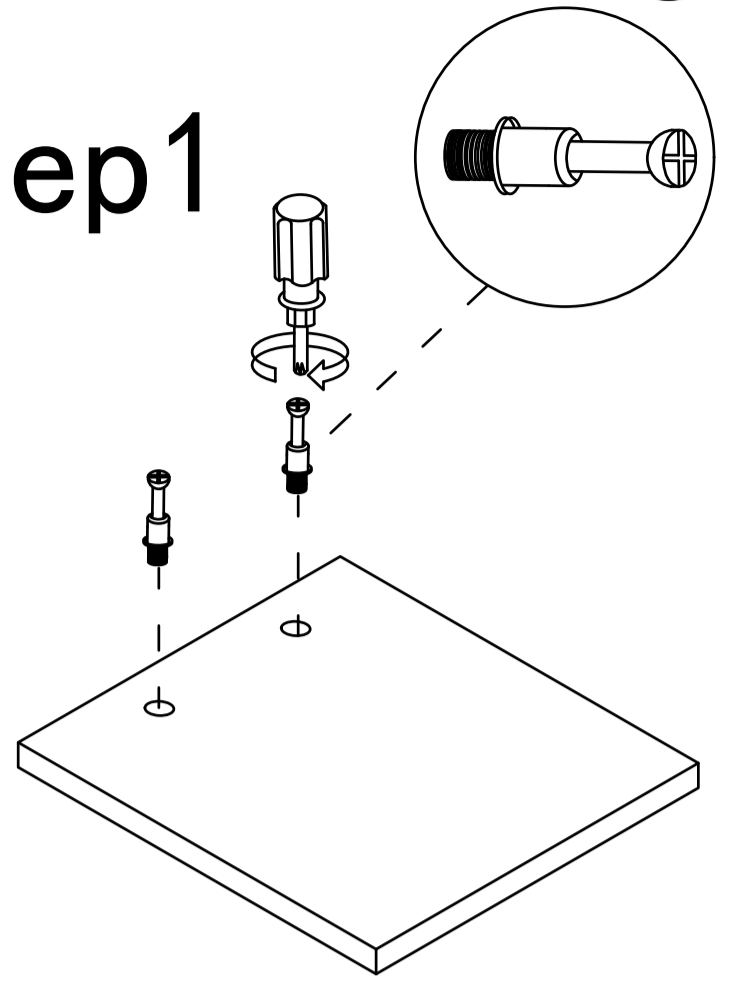
2

Product structure decomposition

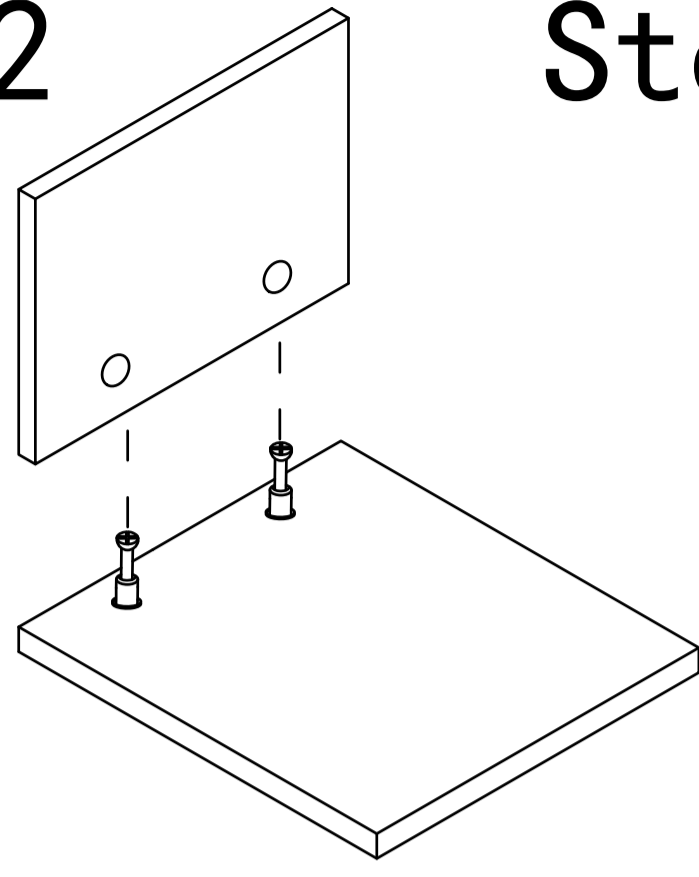


Use parts ① and ②

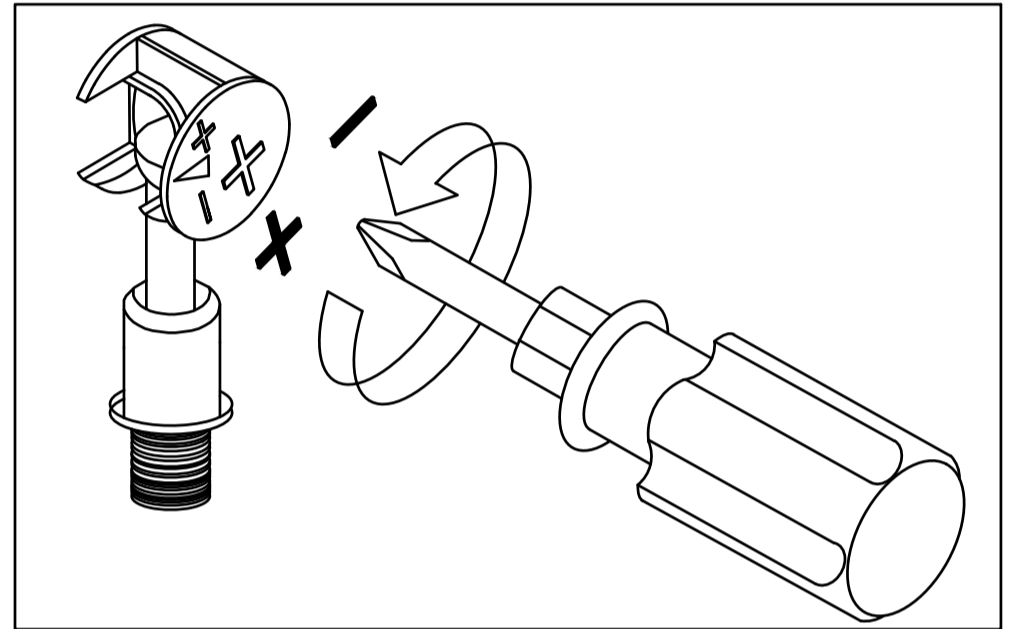
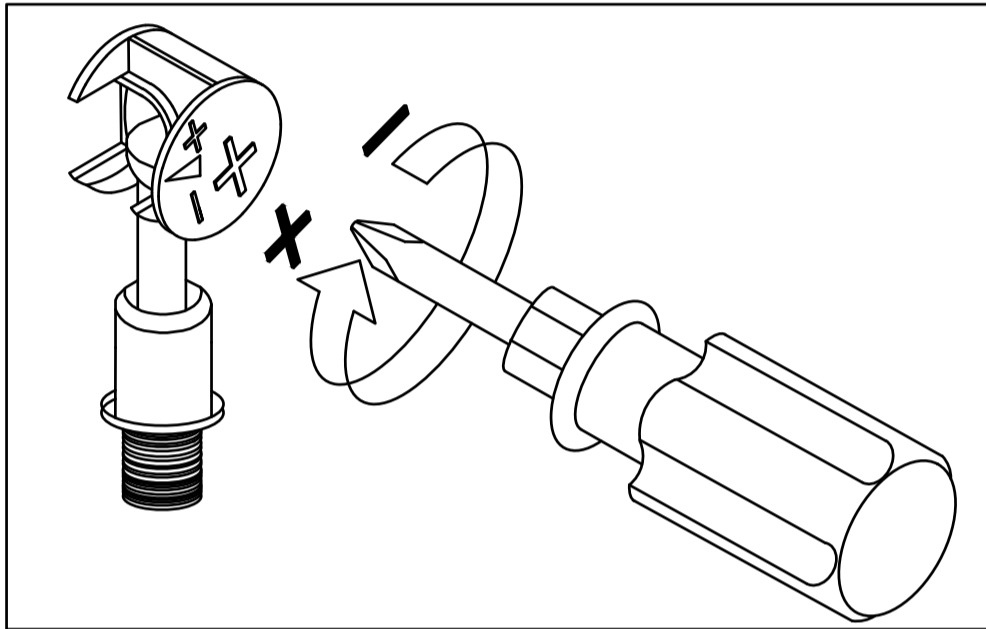
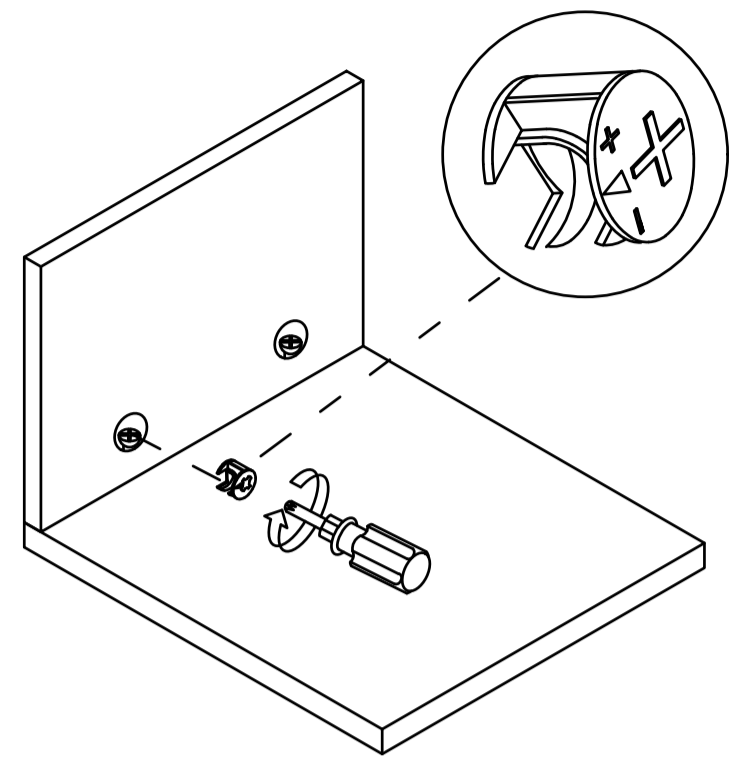
Step 1



Step 2



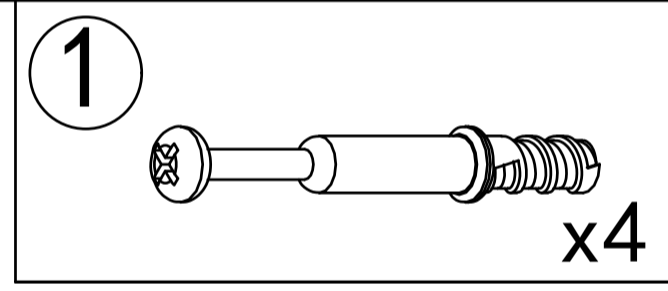
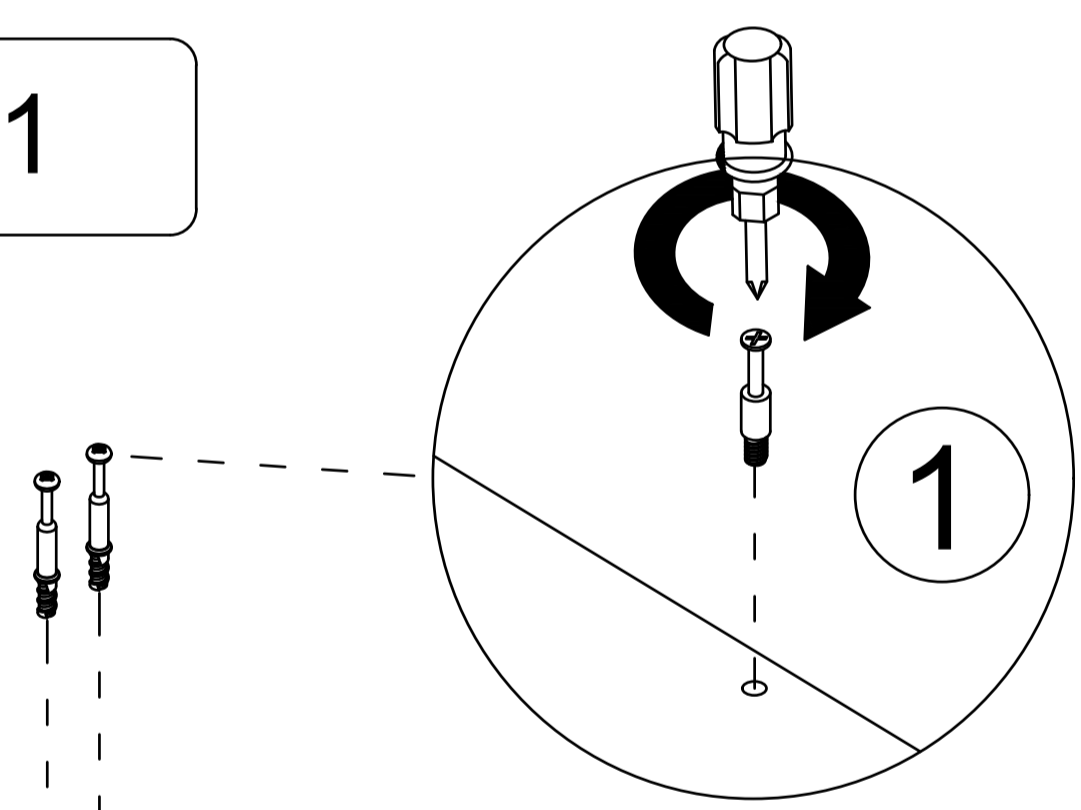
Step 3



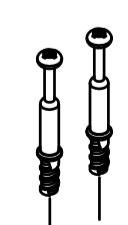
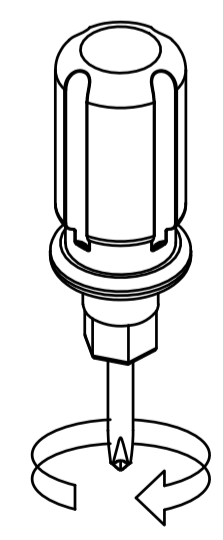
Use a screwdriver to lock in the direction of the "+" sign

Disassemble along the direction of "-" sign

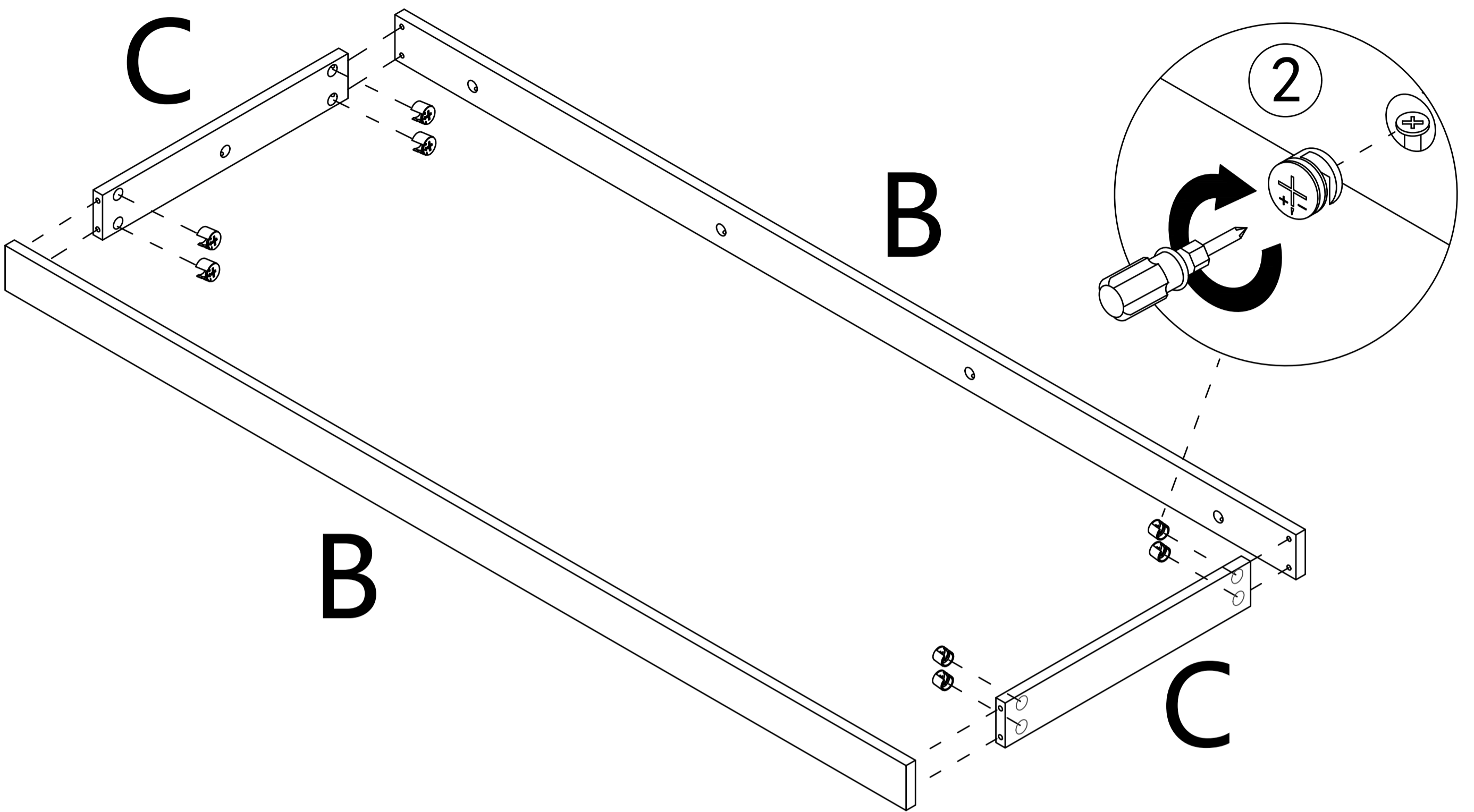
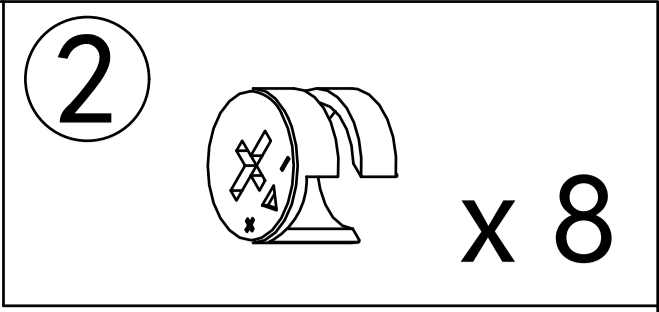
Step 1



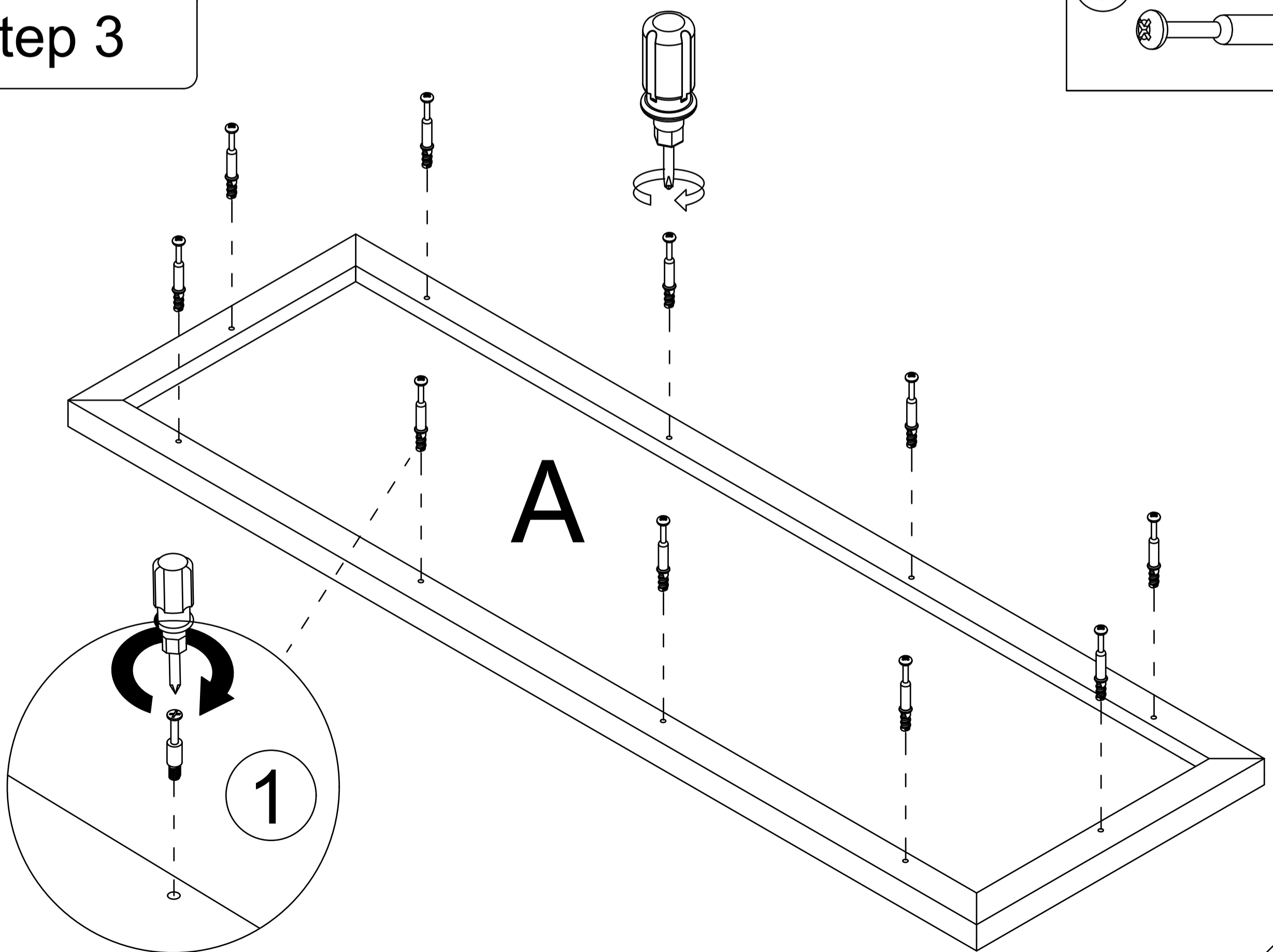
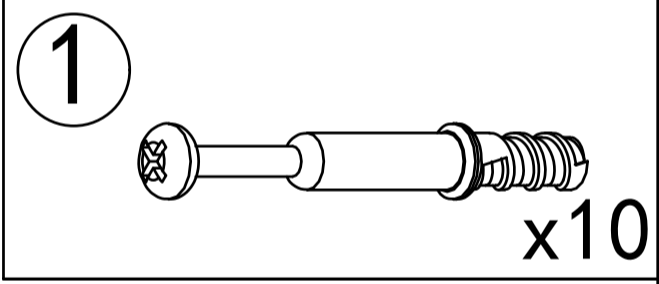
B
x2



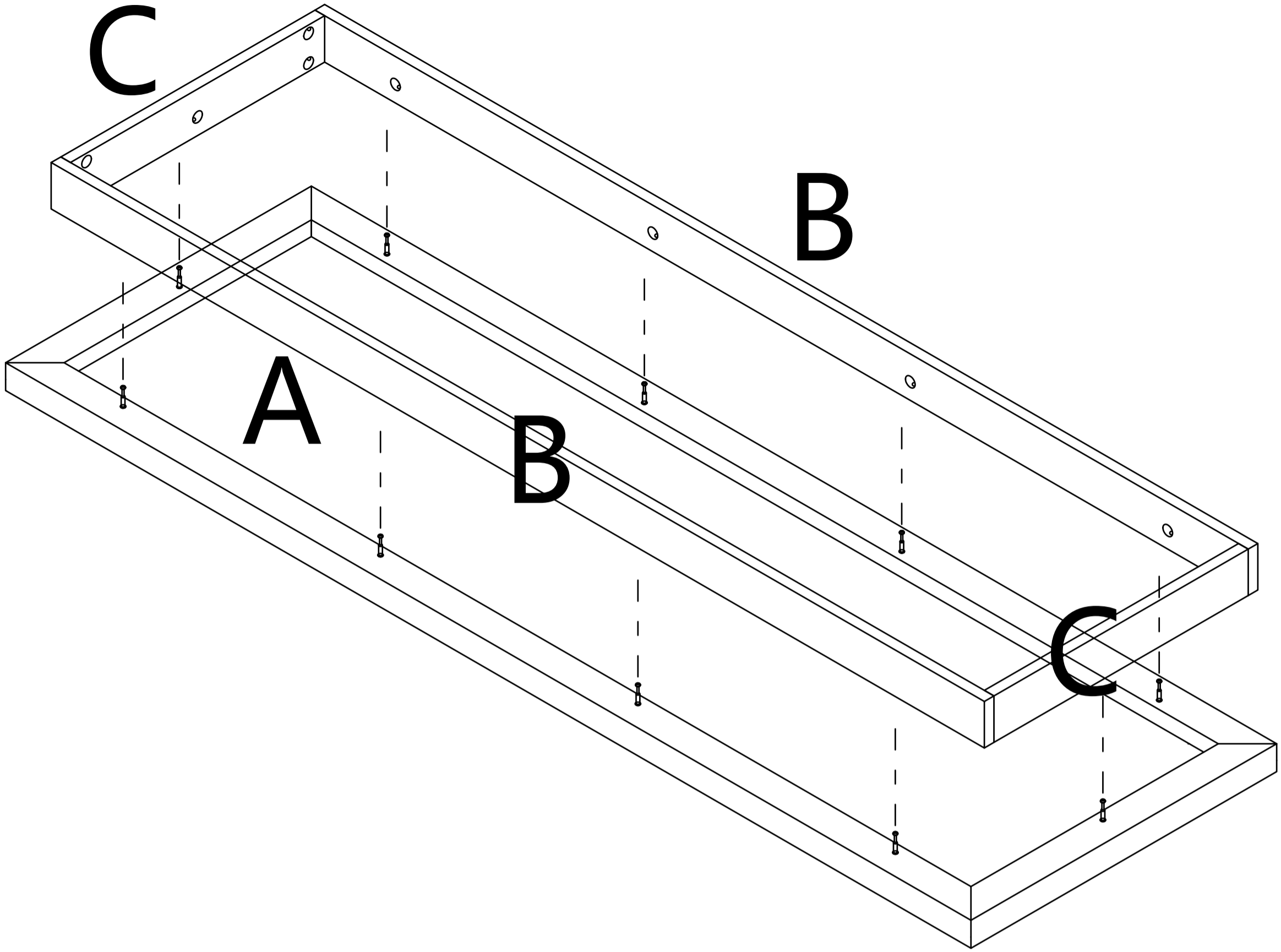
Step 2



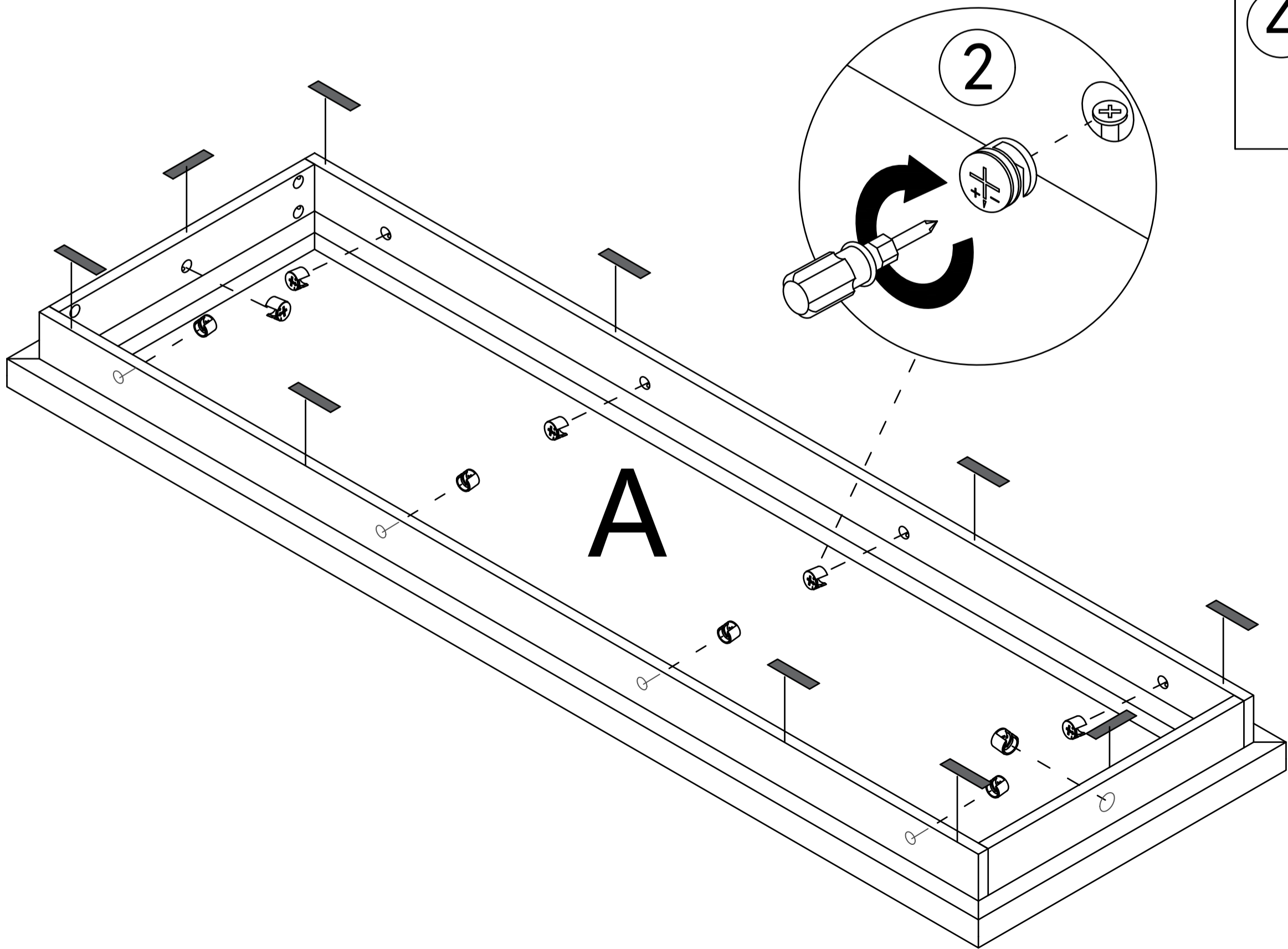
Step 3

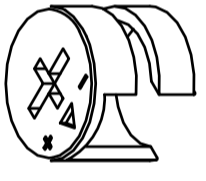



Step 4

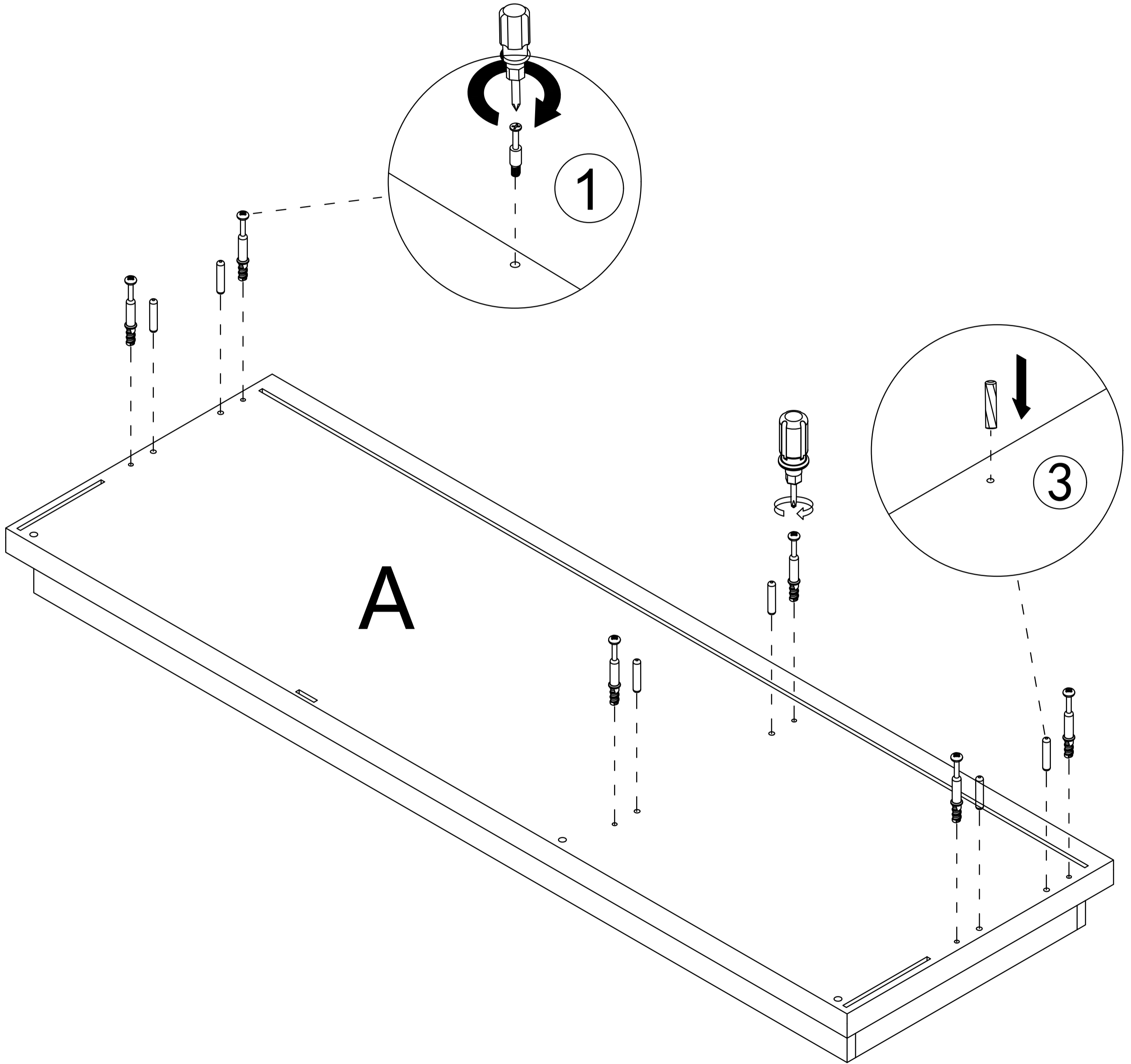
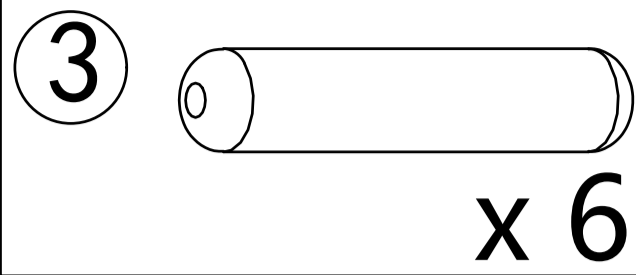
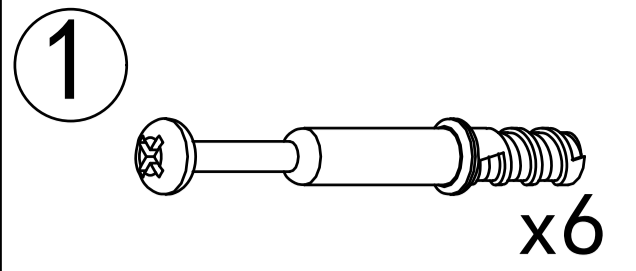


Step 5

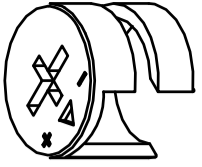


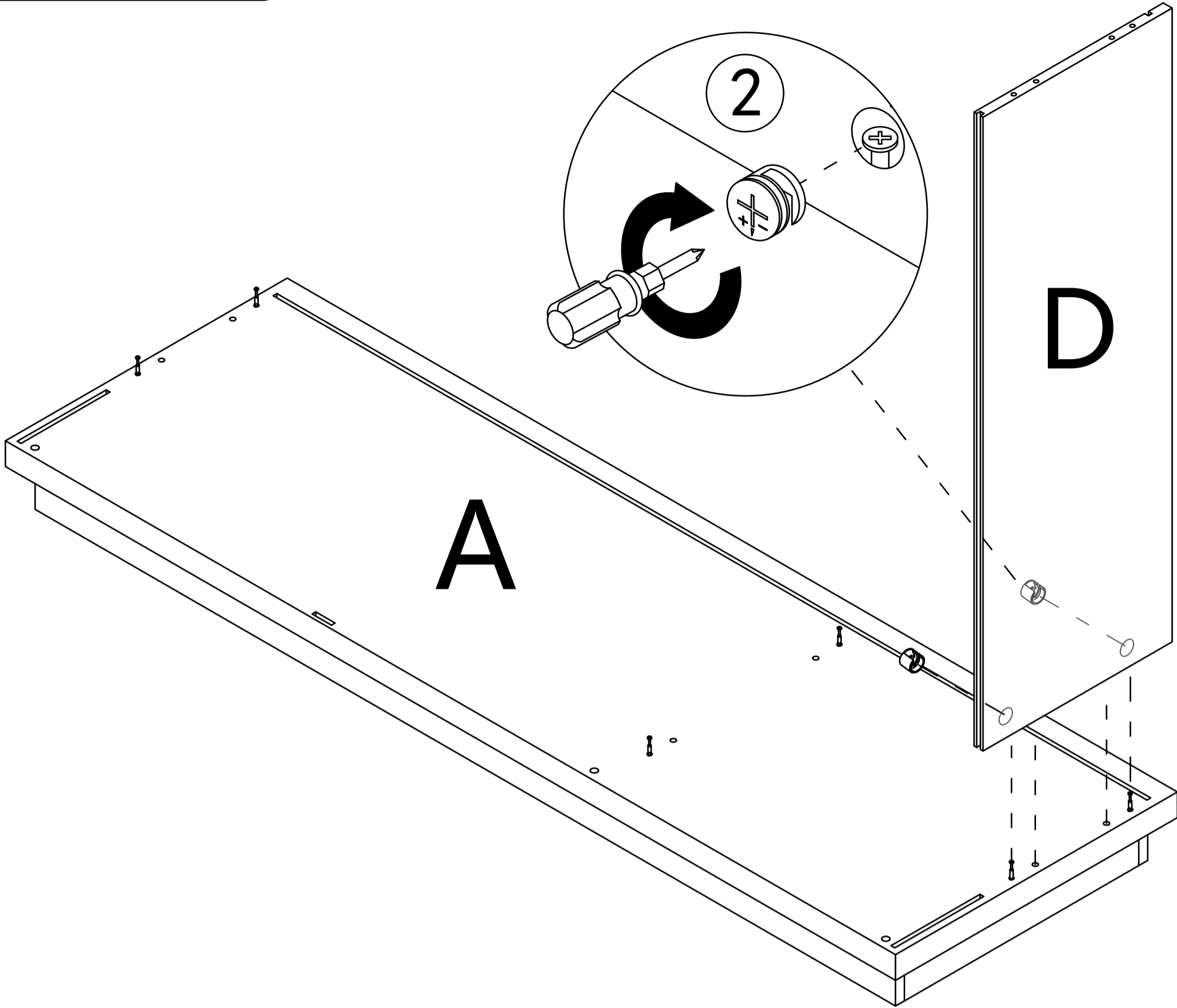
- ②  x 10
- ④  x 10

Step 6




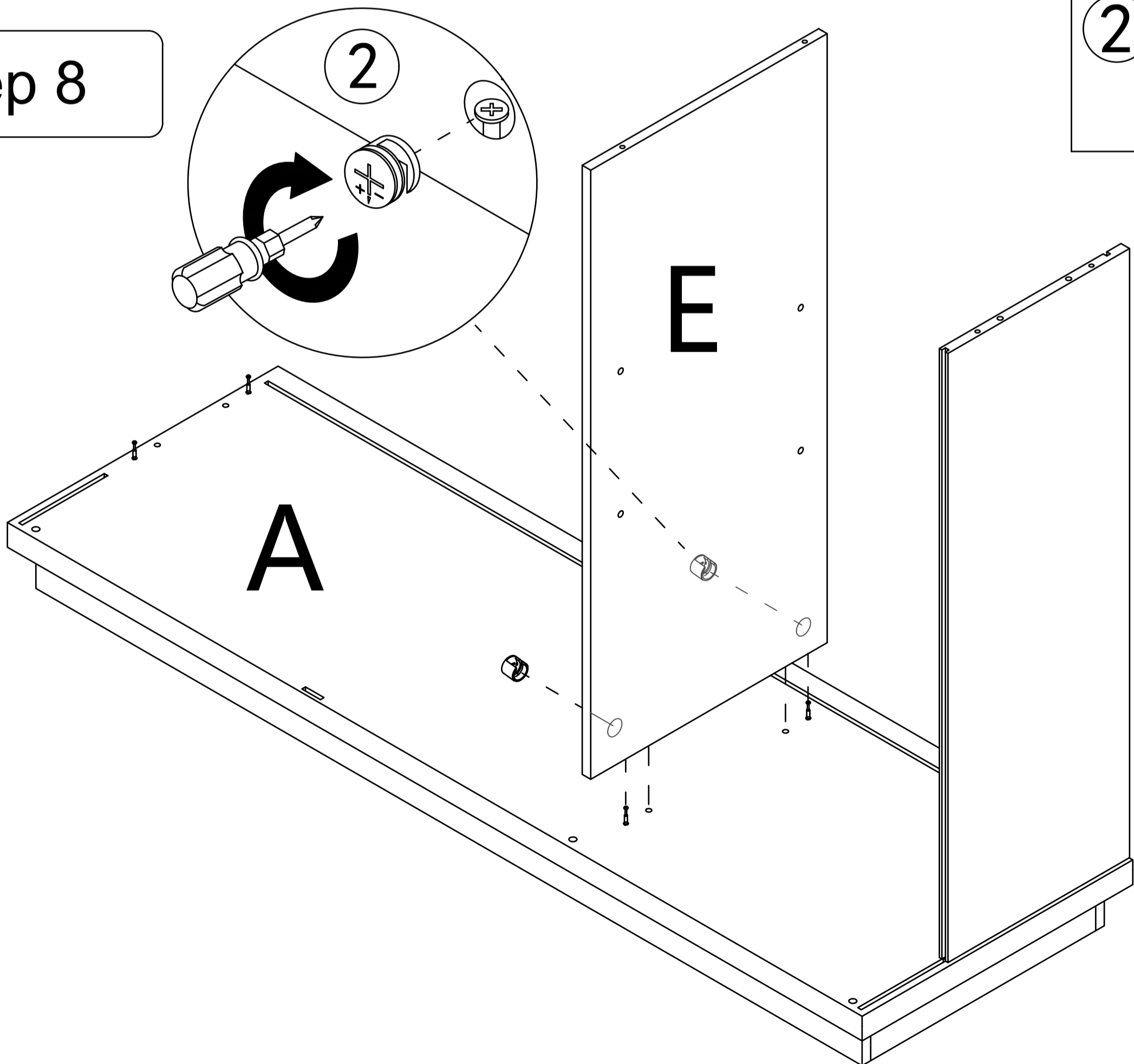
Step 7

2  x 2

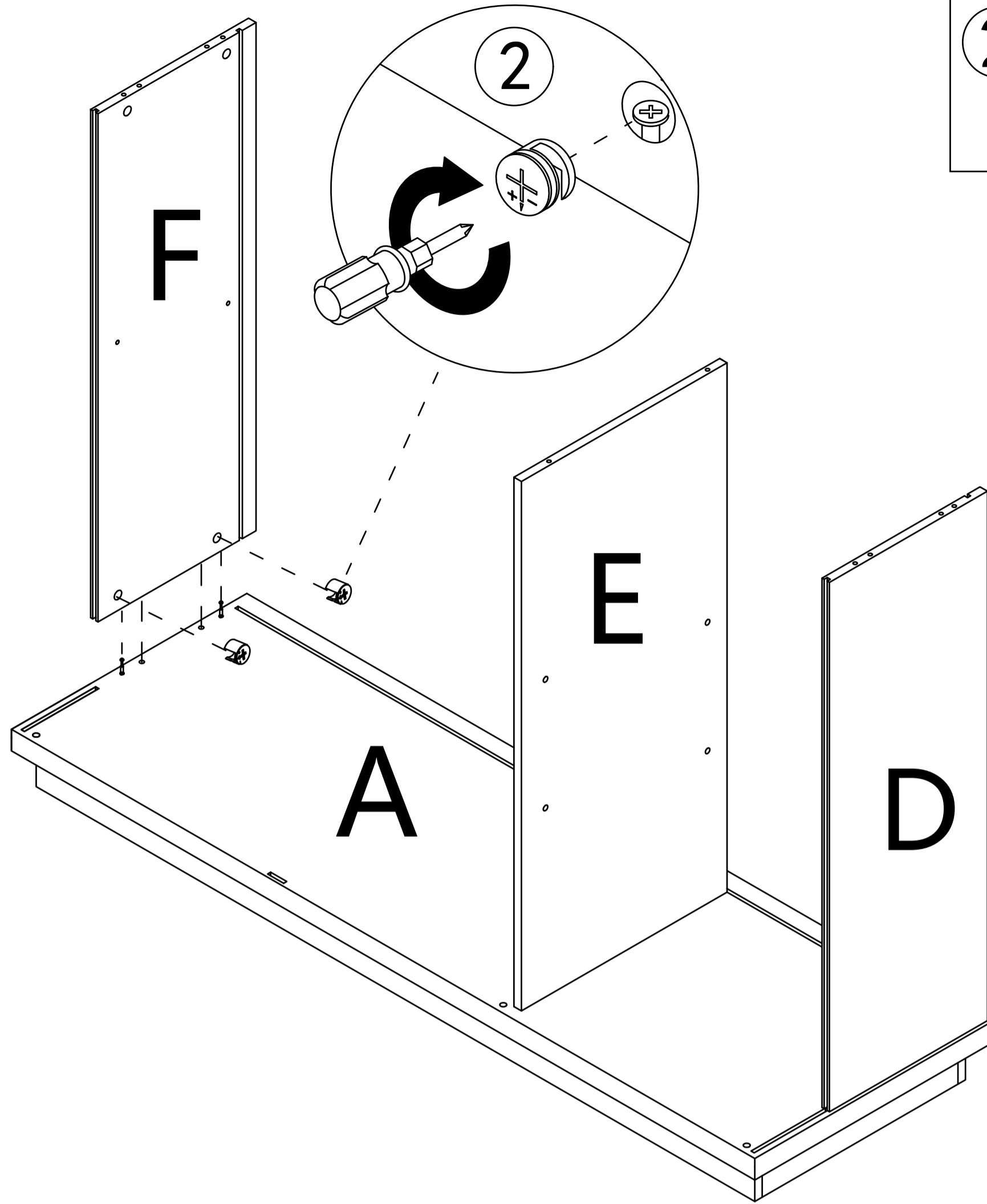


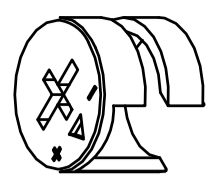
Step 8

2  x 2

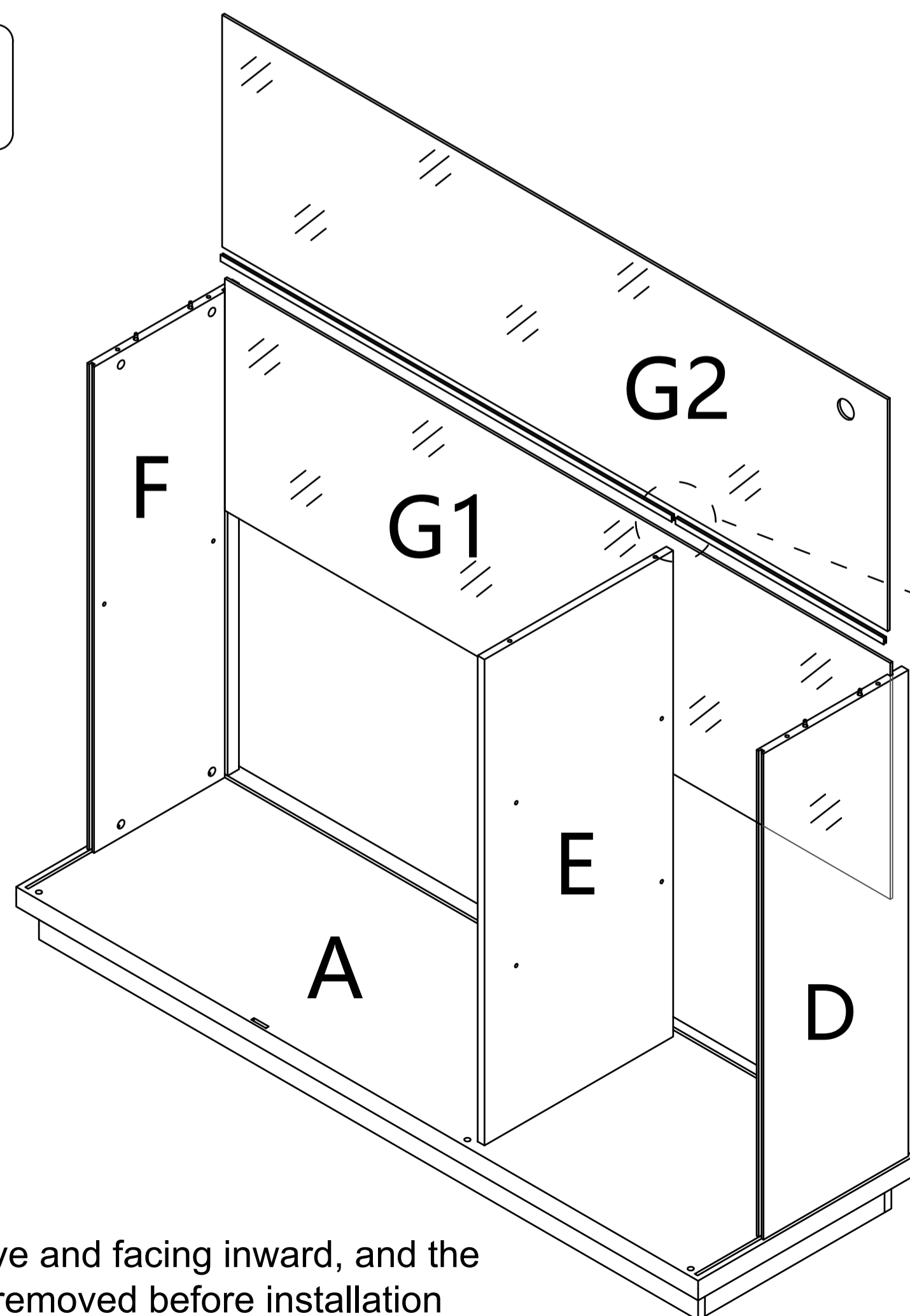


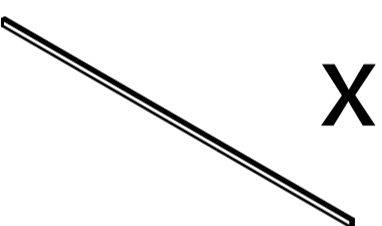
Step 9




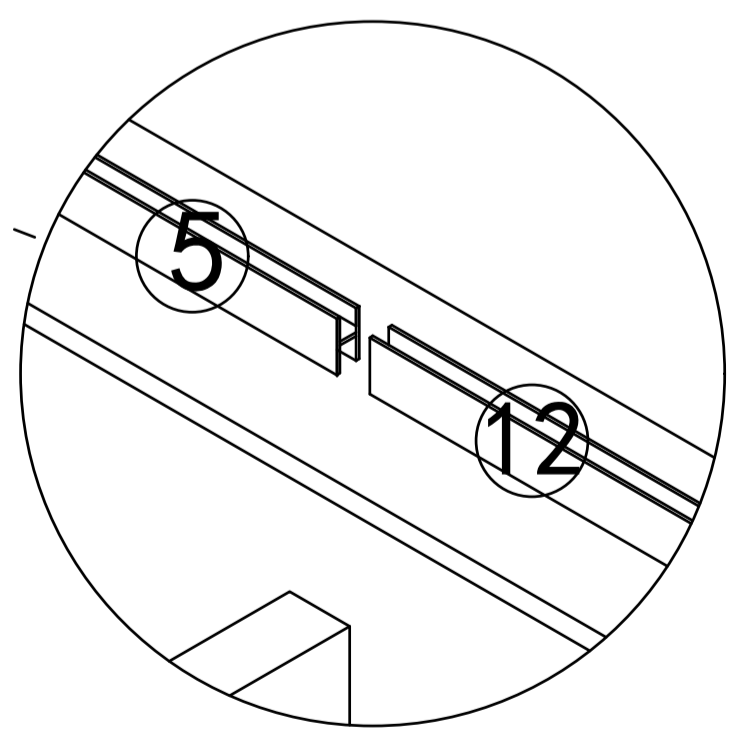
②  x 2

Step 10



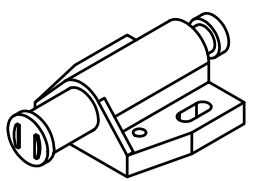
⑤  x 1

⑫  x 1

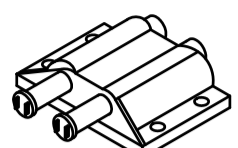


The back glass is reflective and facing inward, and the protective film should be removed before installation

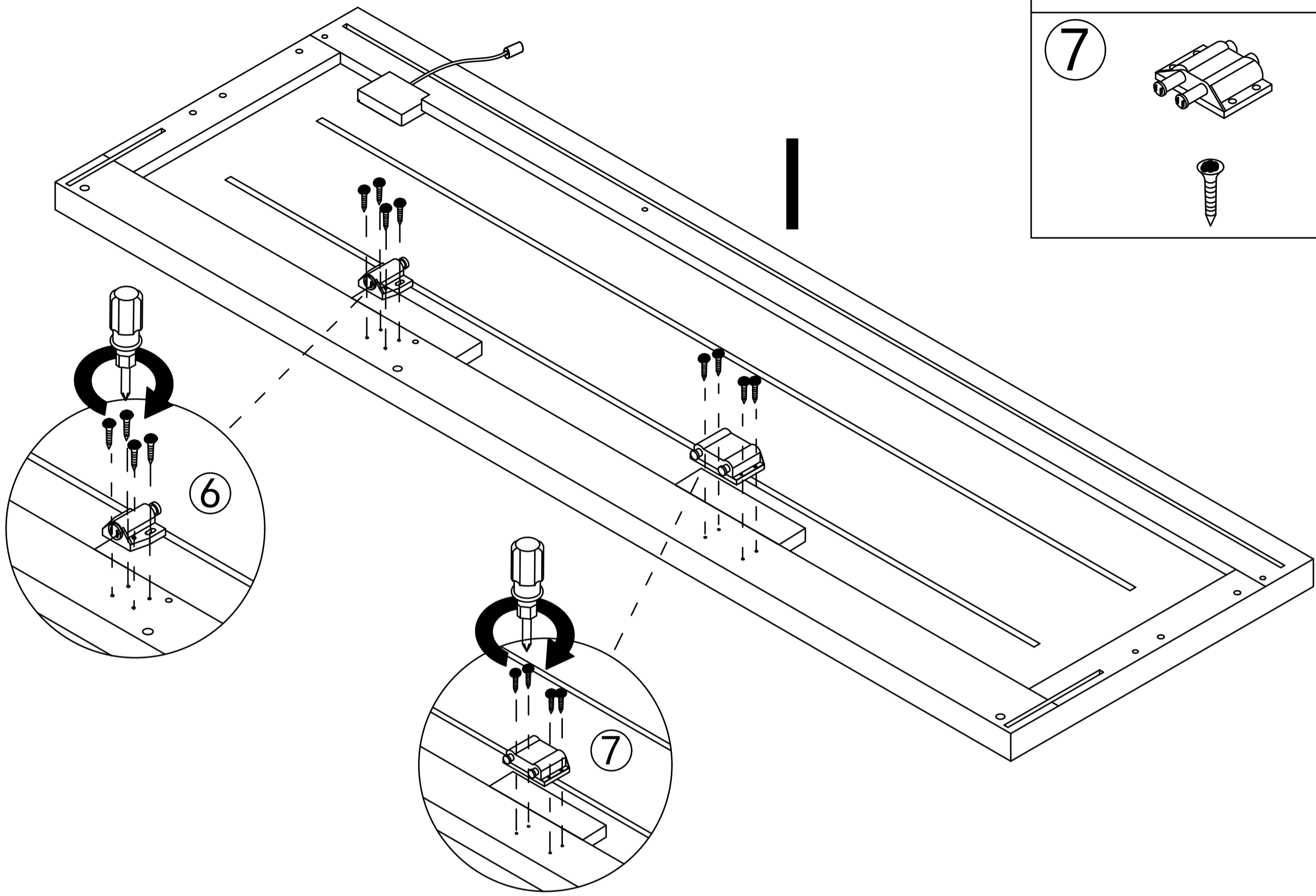
Step 11

6  x1

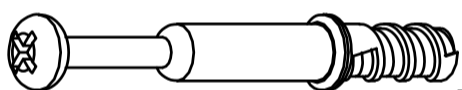
 x4

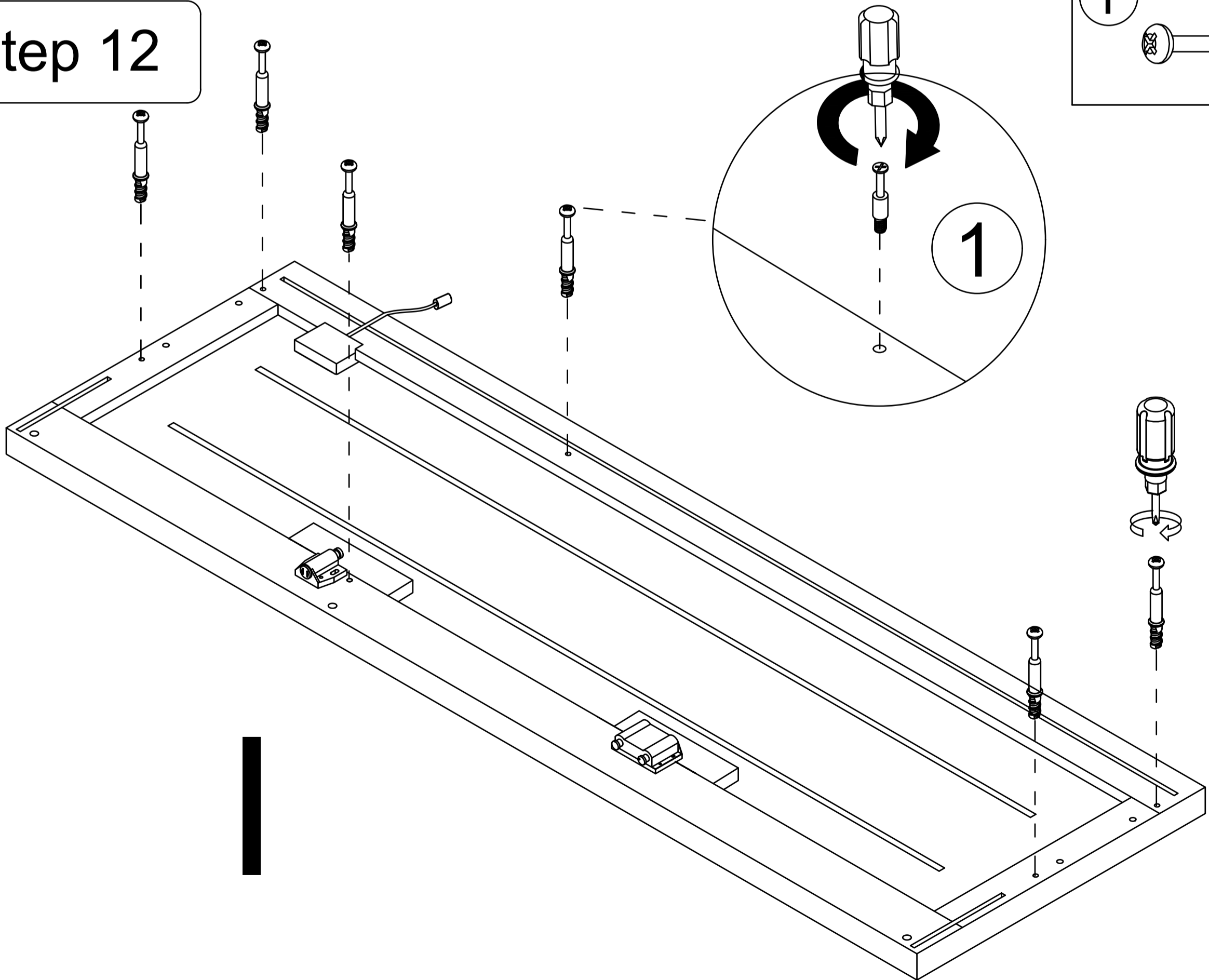
7  x1

 x4



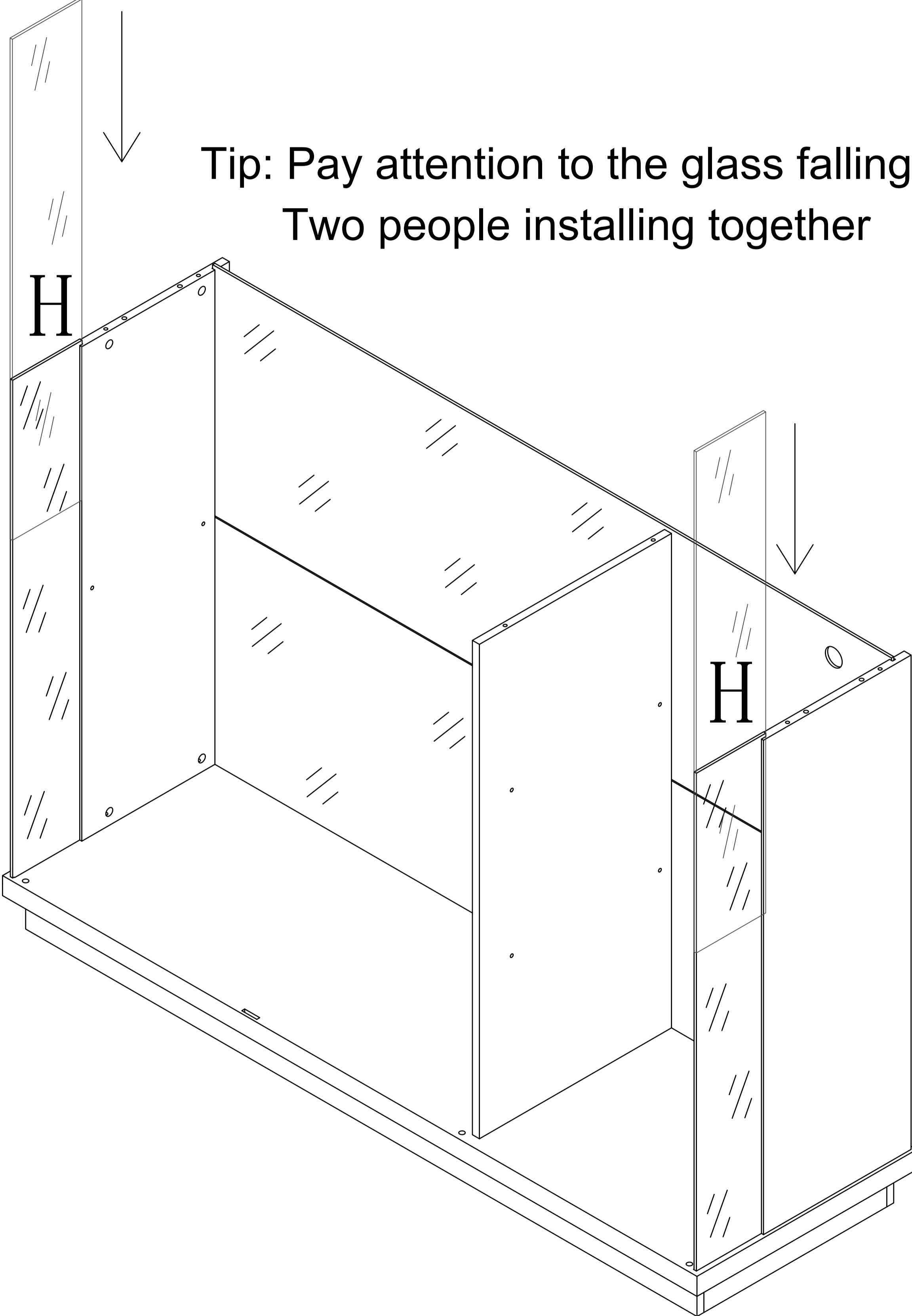
Step 12

1  x6



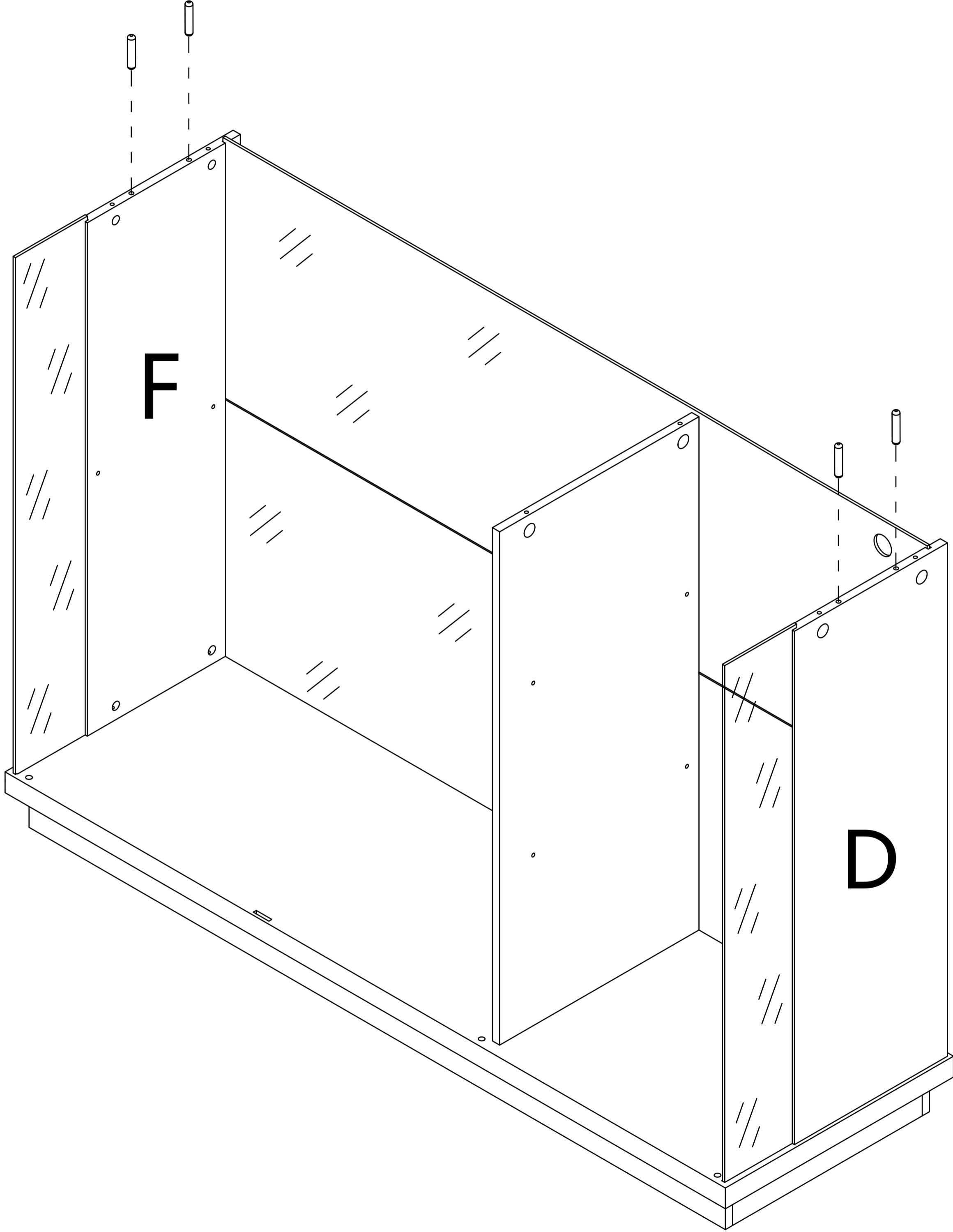
Step 13

Tip: Pay attention to the glass falling down
Two people installing together

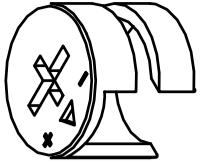


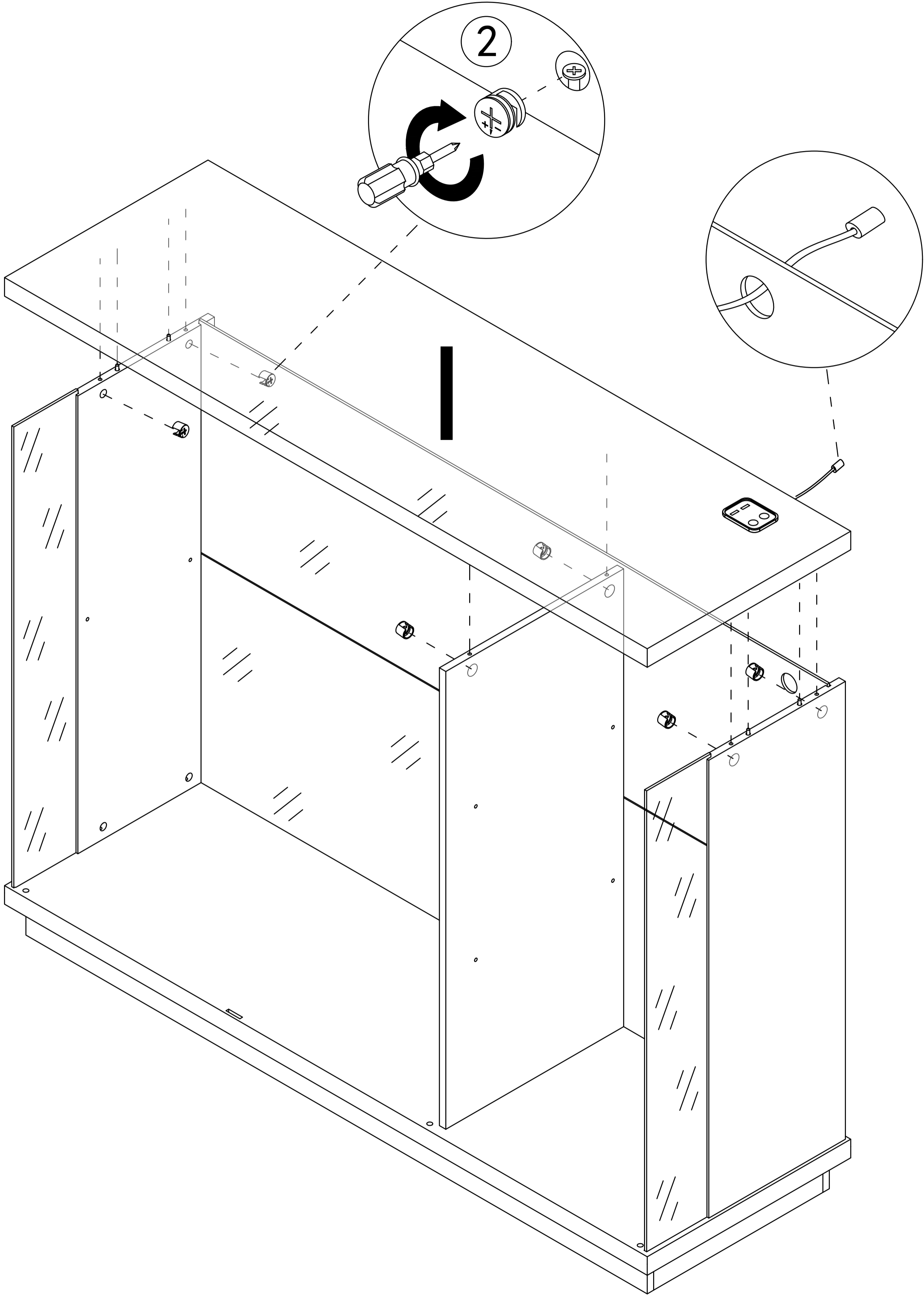
Step 14

3 x 4

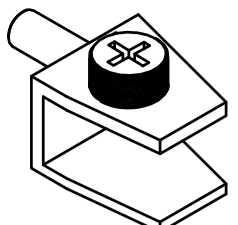


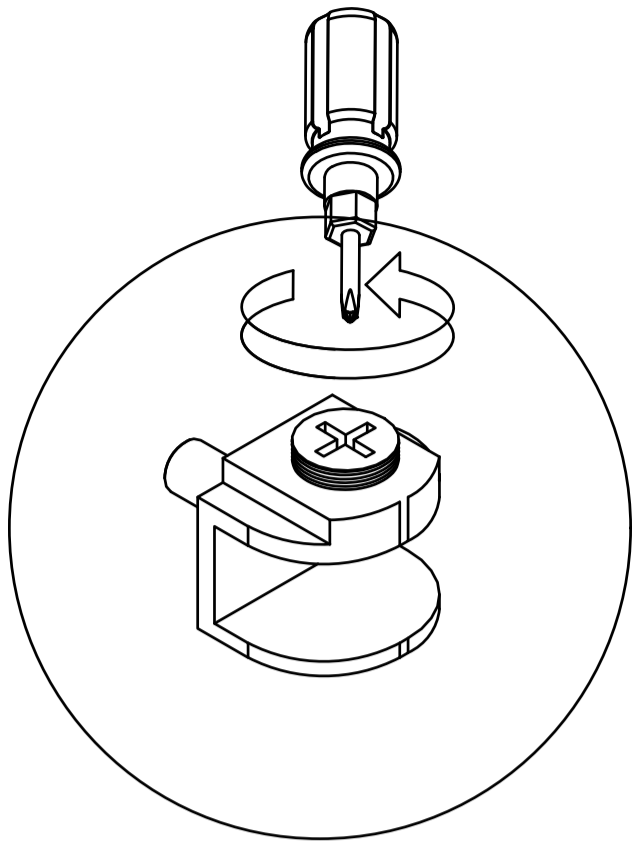
Step 15

2  x 6

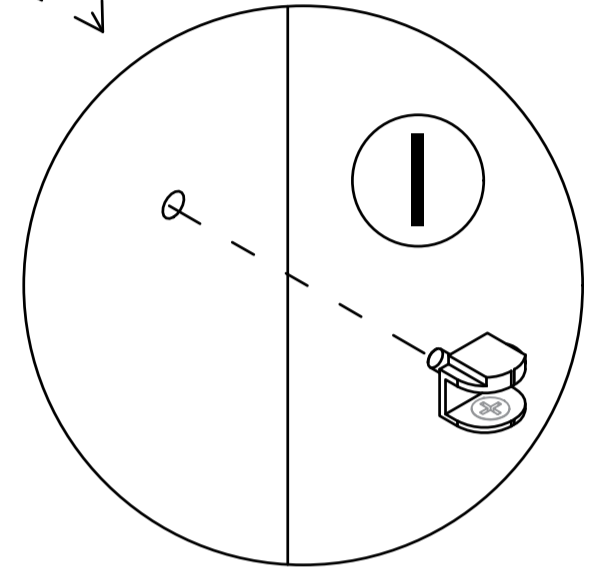


Step 16

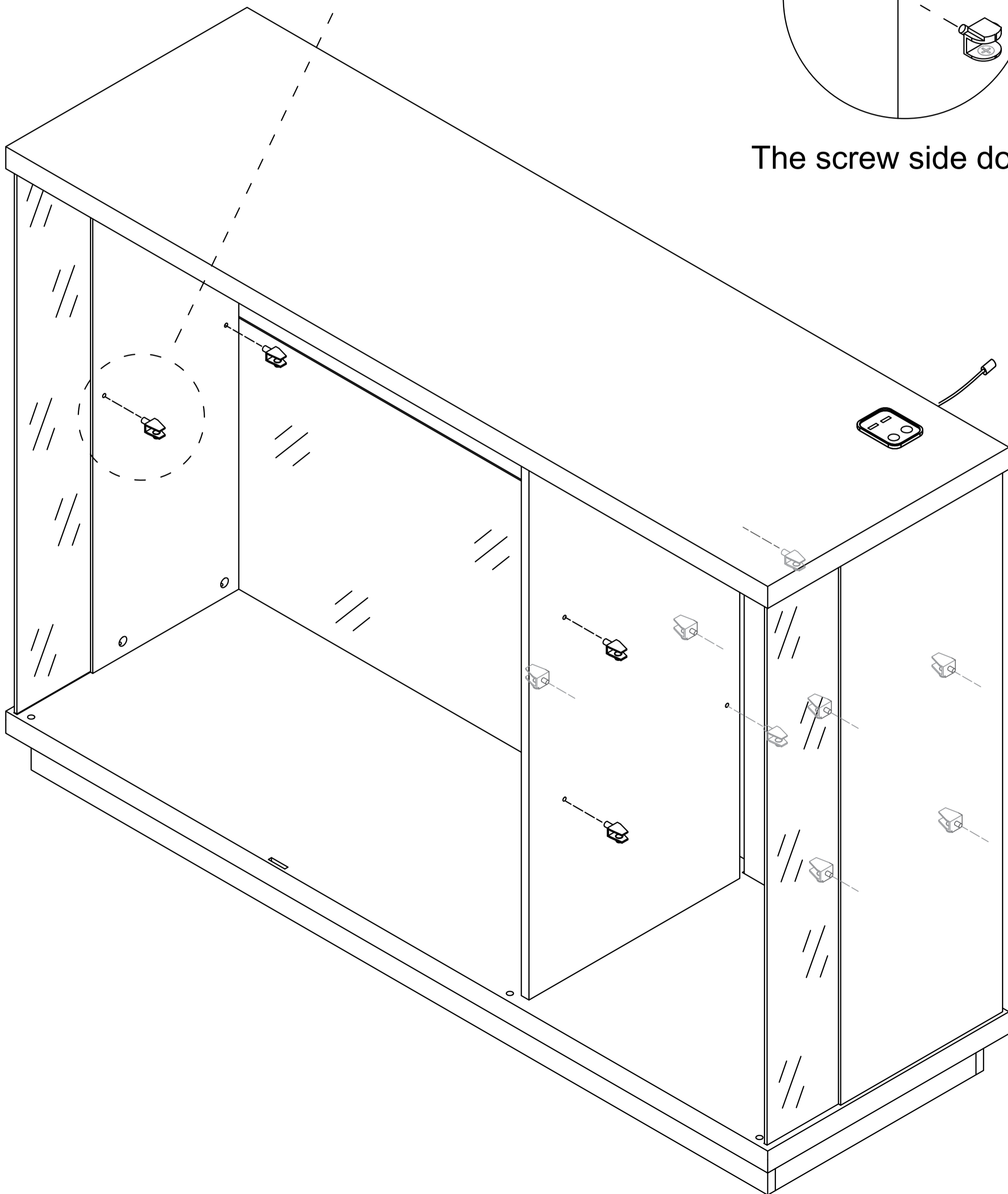
8  x12



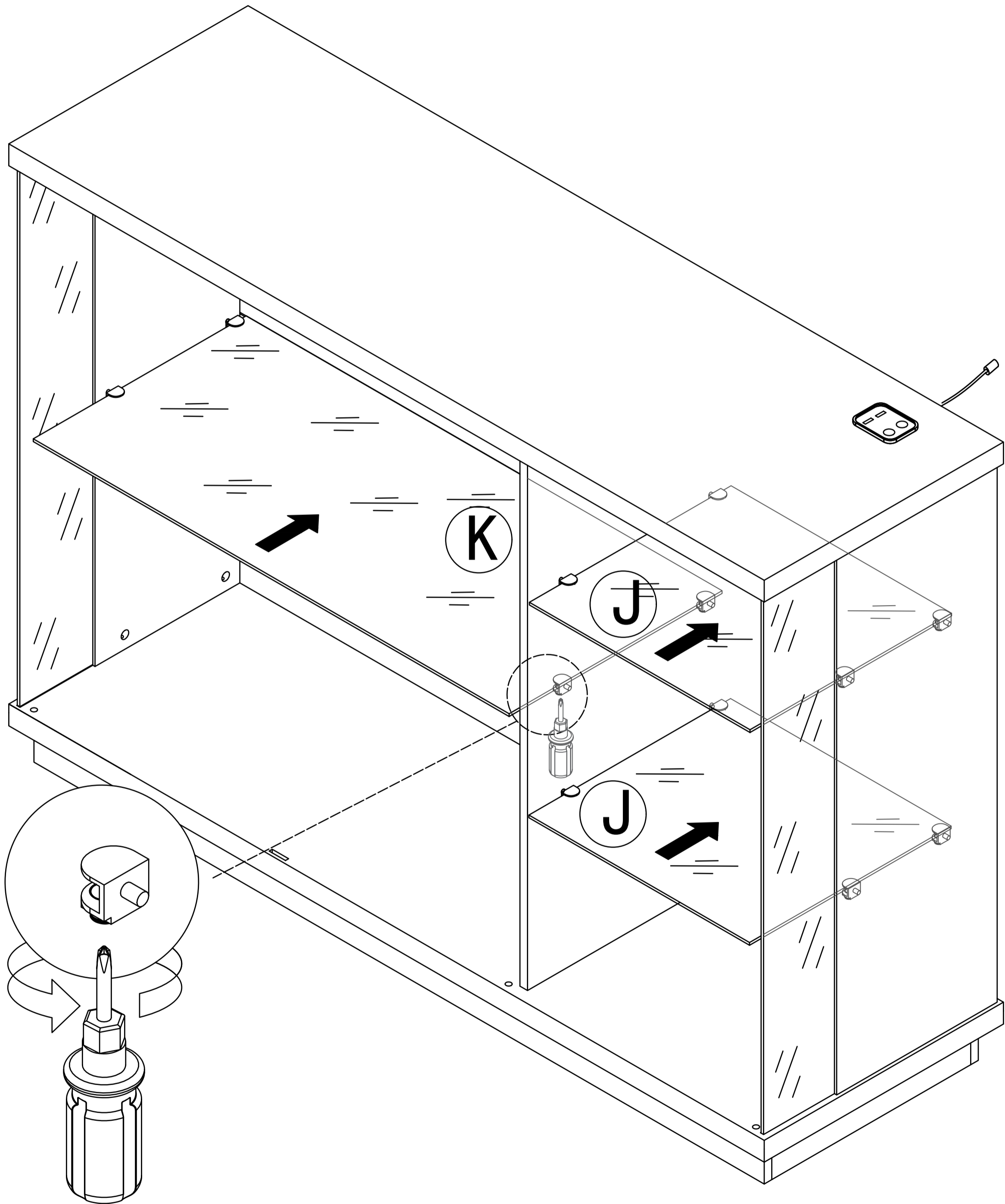
Loosen the screws a little before installation



The screw side down



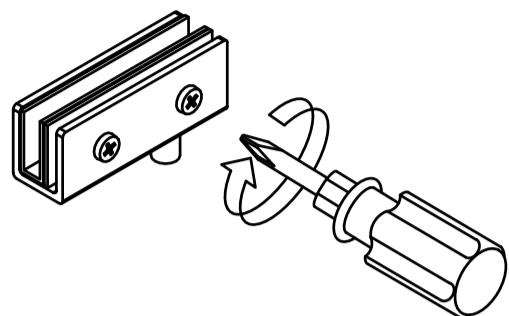
Step 17



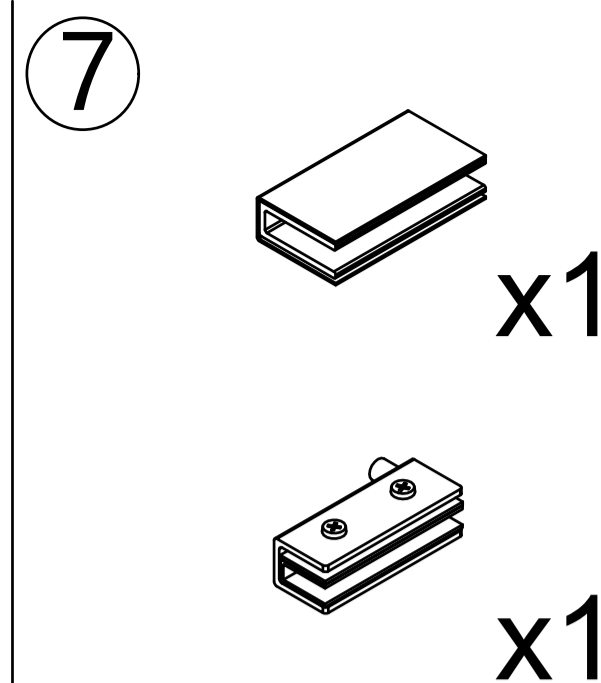
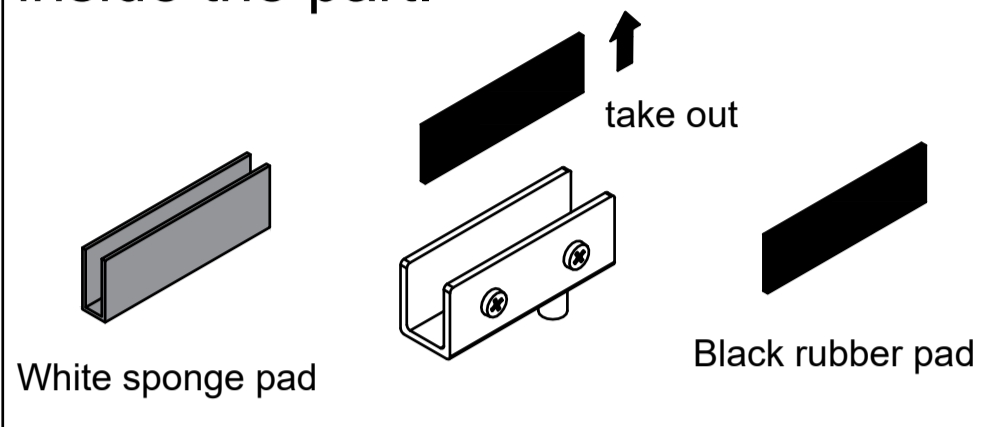
Tip: Adjusting the screw to rotate to the left can fix the glass
Rotate to the left and twist it out, and rotate it to the right to twist it in

Step 18

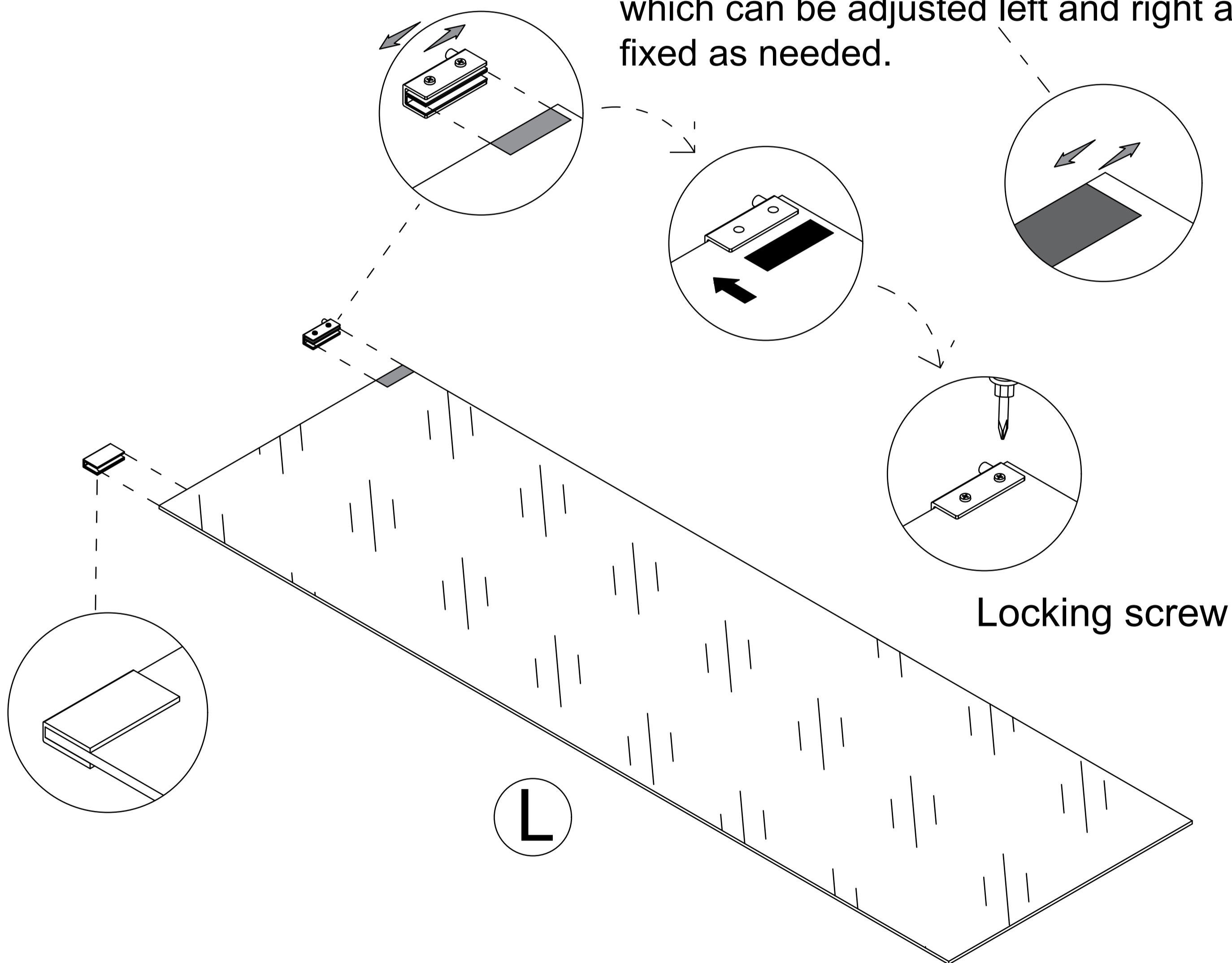
First, completely unscrew the screws on the parts



Then take out the black rubber pad from the inside of the part, and the white sponge remains unchanged inside the part.



The distance between the mounting piece and the glass should be 2 mm, which can be adjusted left and right and fixed as needed.



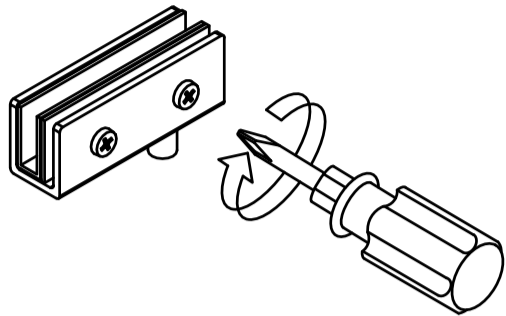
Locking screw

Pay attention to the direction of the door hinge rotate the screws to compress the black gasket, and do not place it in the opposite direction

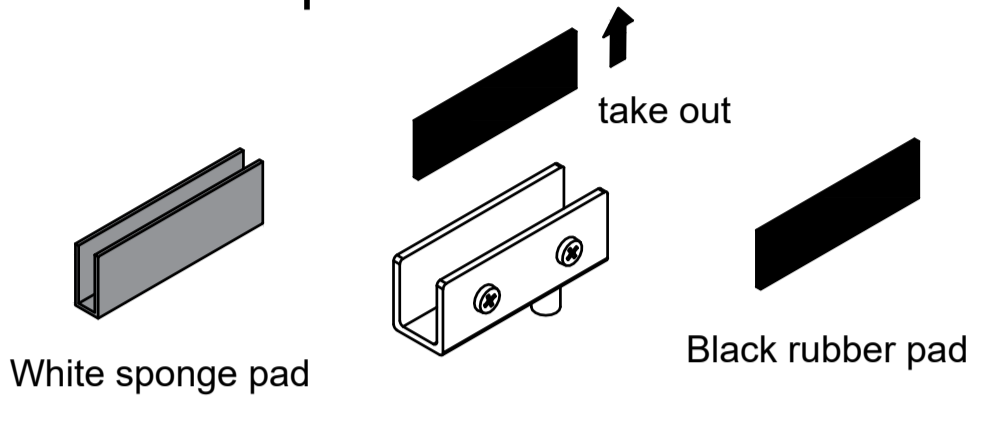
Place the black gasket on the side where the screws are installed

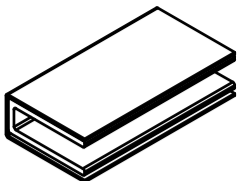
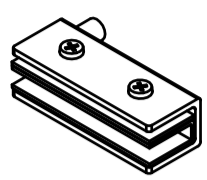
Step 19

First, completely unscrew the screws on the parts

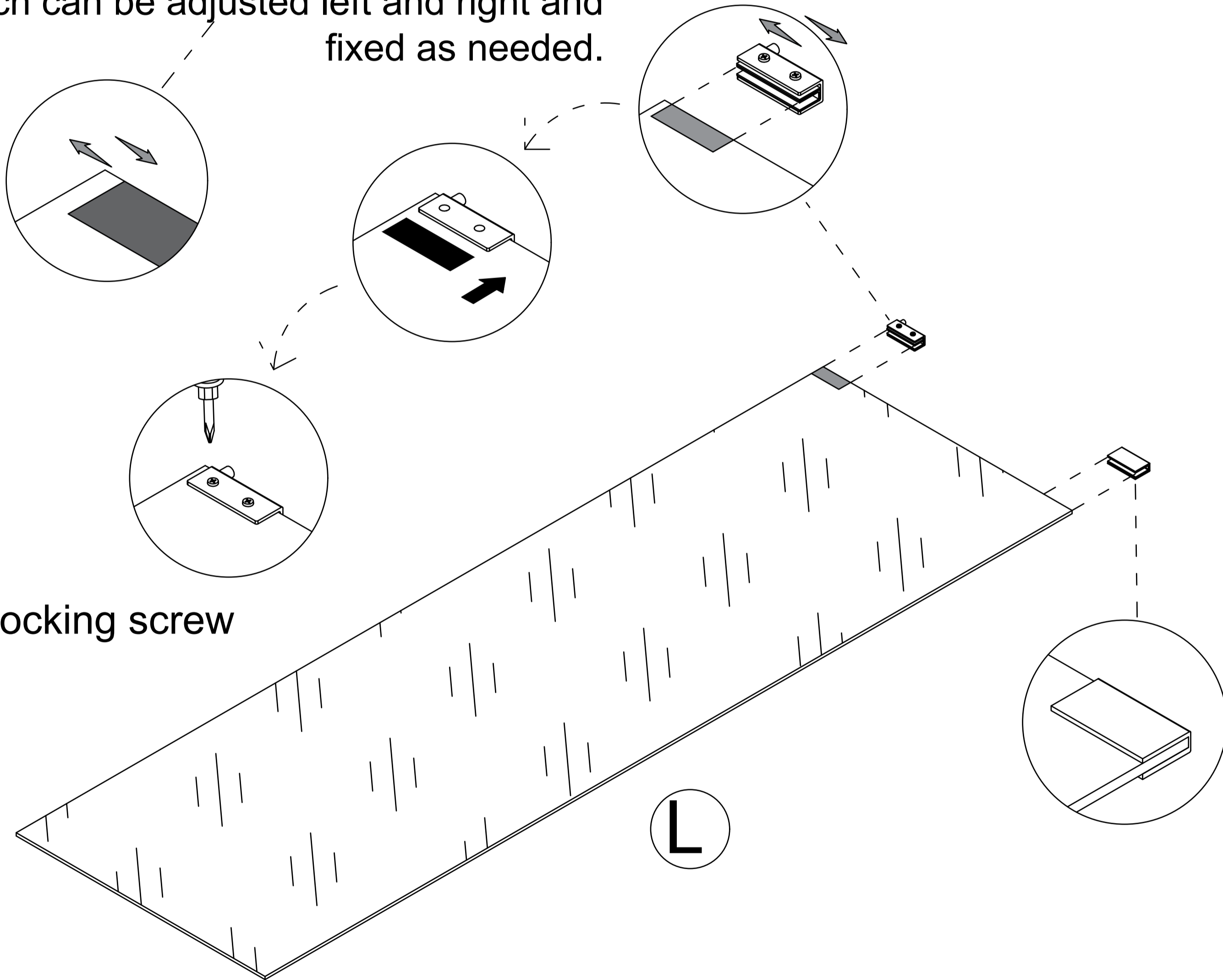


Then take out the black rubber pad from the inside of the part, and the white sponge remains unchanged inside the part.



- 7  x1
-  x1

The distance between the mounting piece and the glass should be 2 mm, which can be adjusted left and right and fixed as needed.



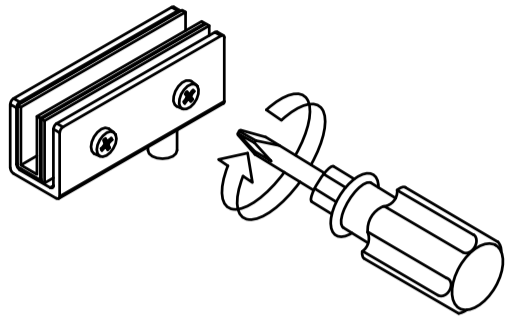
Locking screw

Pay attention to the direction of the door hinge rotate the screws to compress the black gasket, and do not place it in the opposite direction

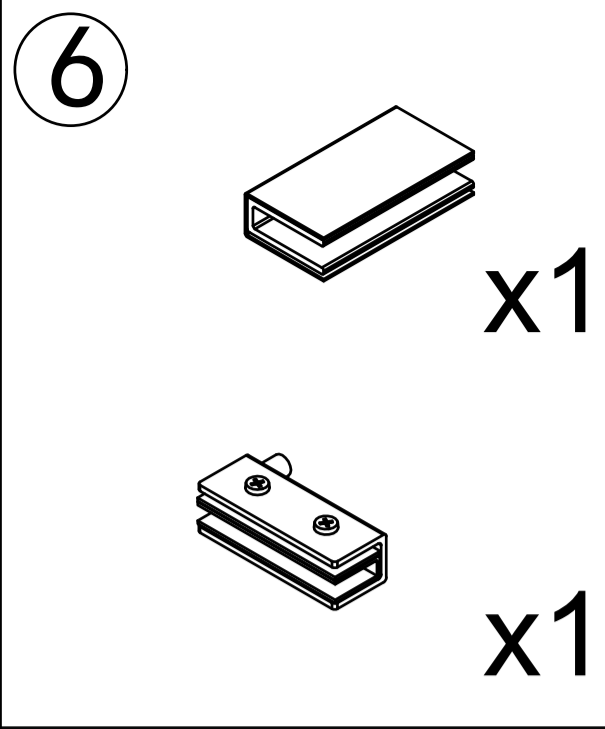
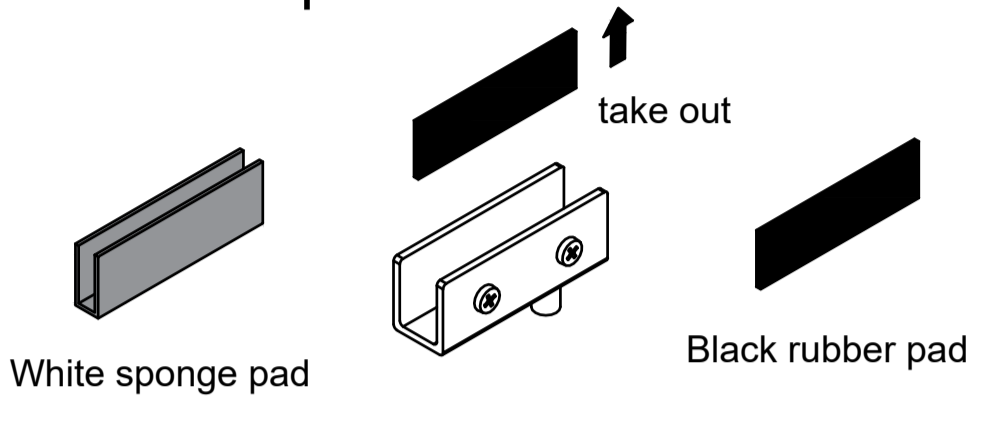
Place the black gasket on the side where the screws are installed

Step 20

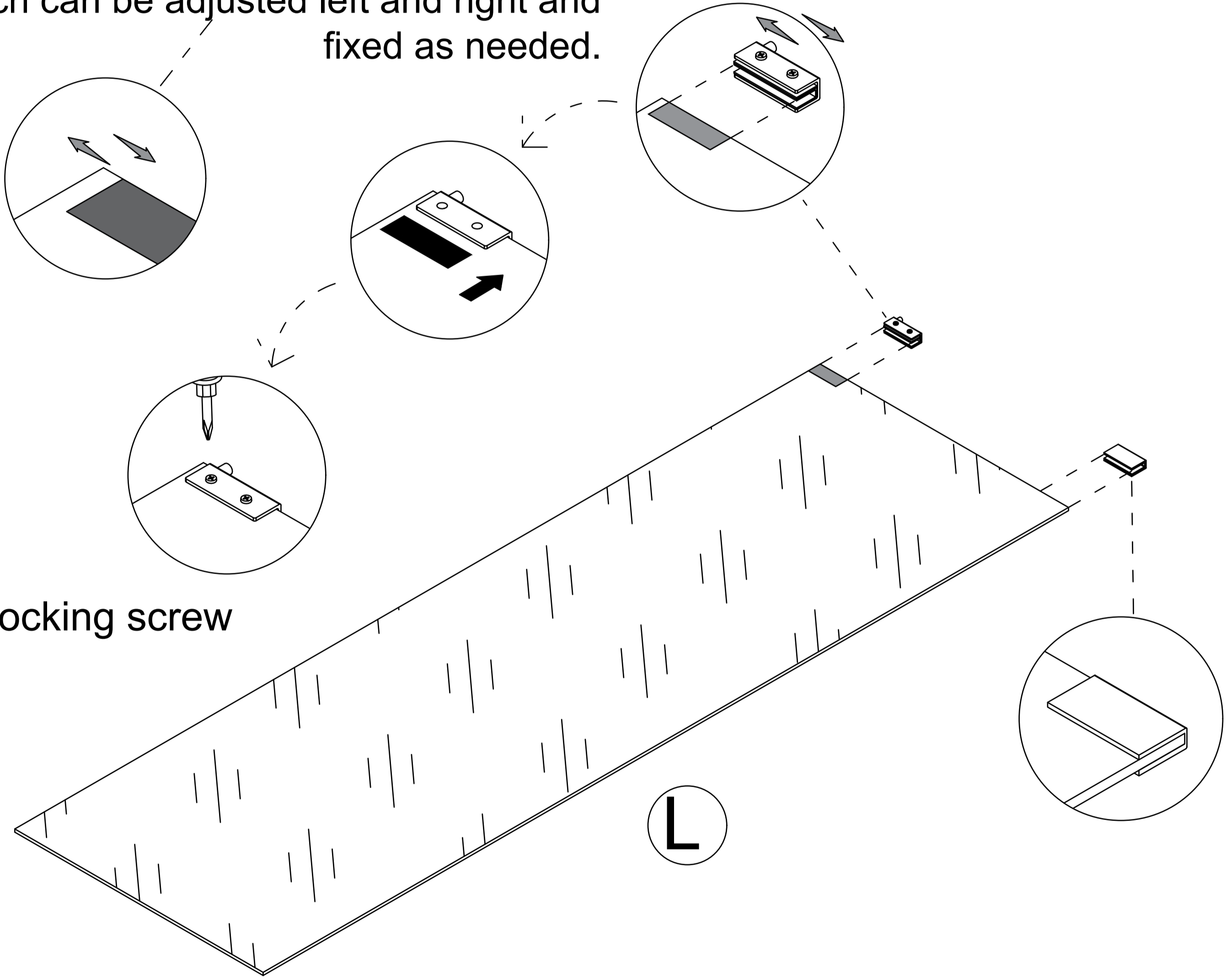
First, completely unscrew the screws on the parts



Then take out the black rubber pad from the inside of the part, and the white sponge remains unchanged inside the part.



The distance between the mounting piece and the glass should be 2 mm, which can be adjusted left and right and fixed as needed.

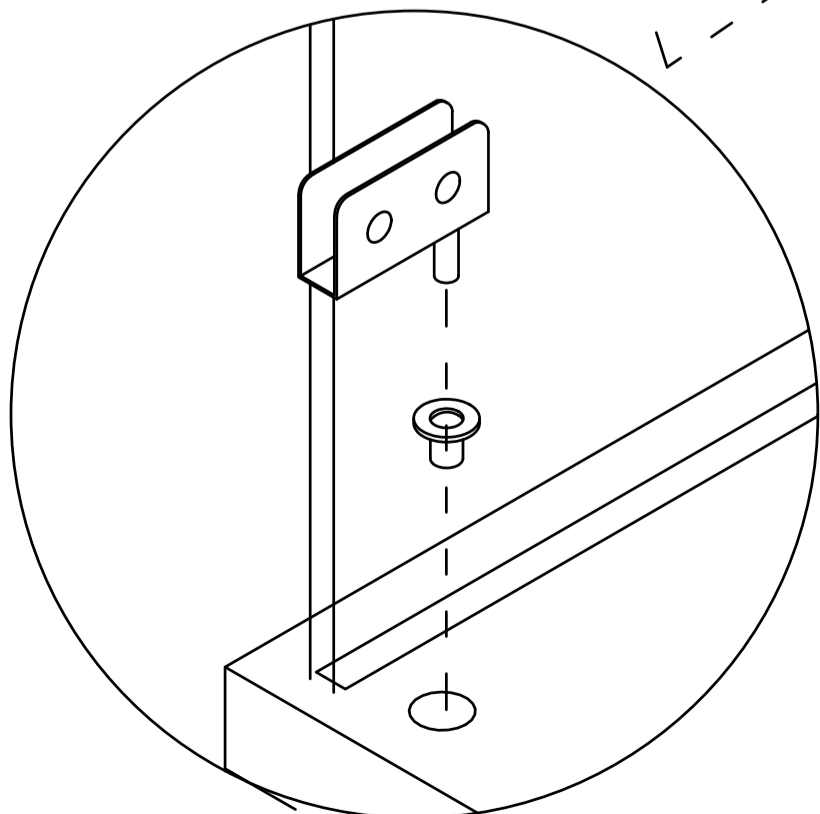
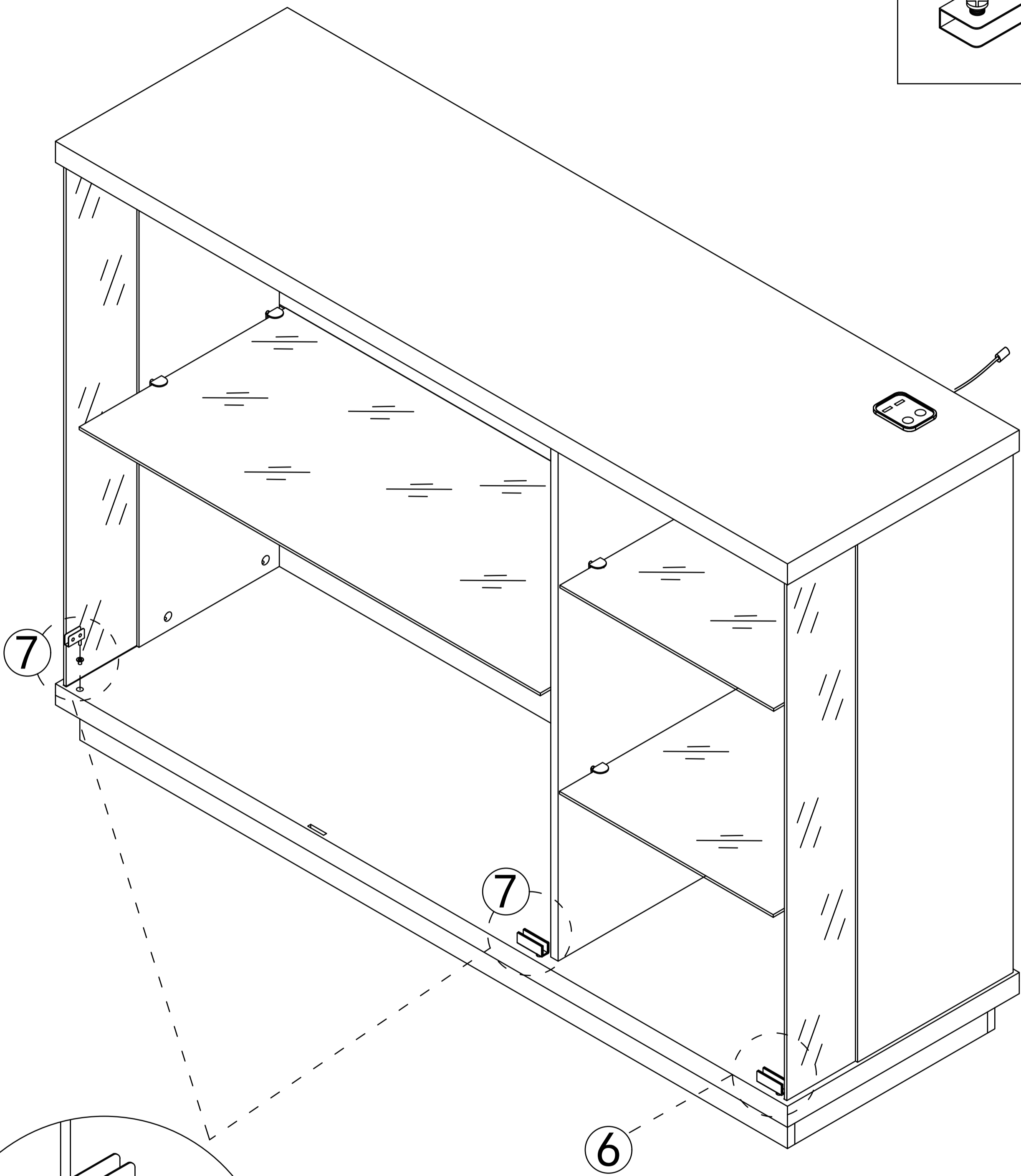
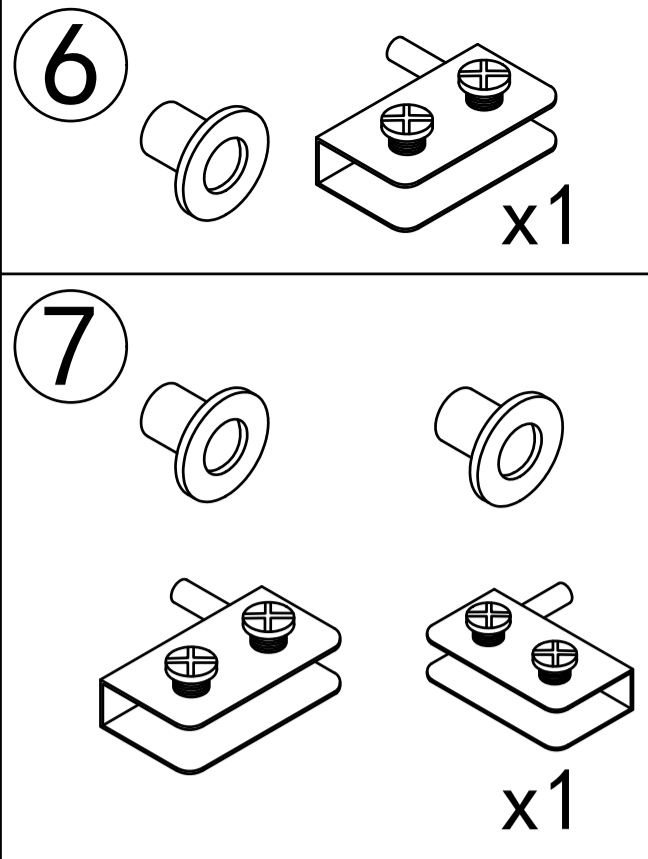


Locking screw

Pay attention to the direction of the door hinge rotate the screws to compress the black gasket, and do not place it in the opposite direction

Place the black gasket on the side where the screws are installed

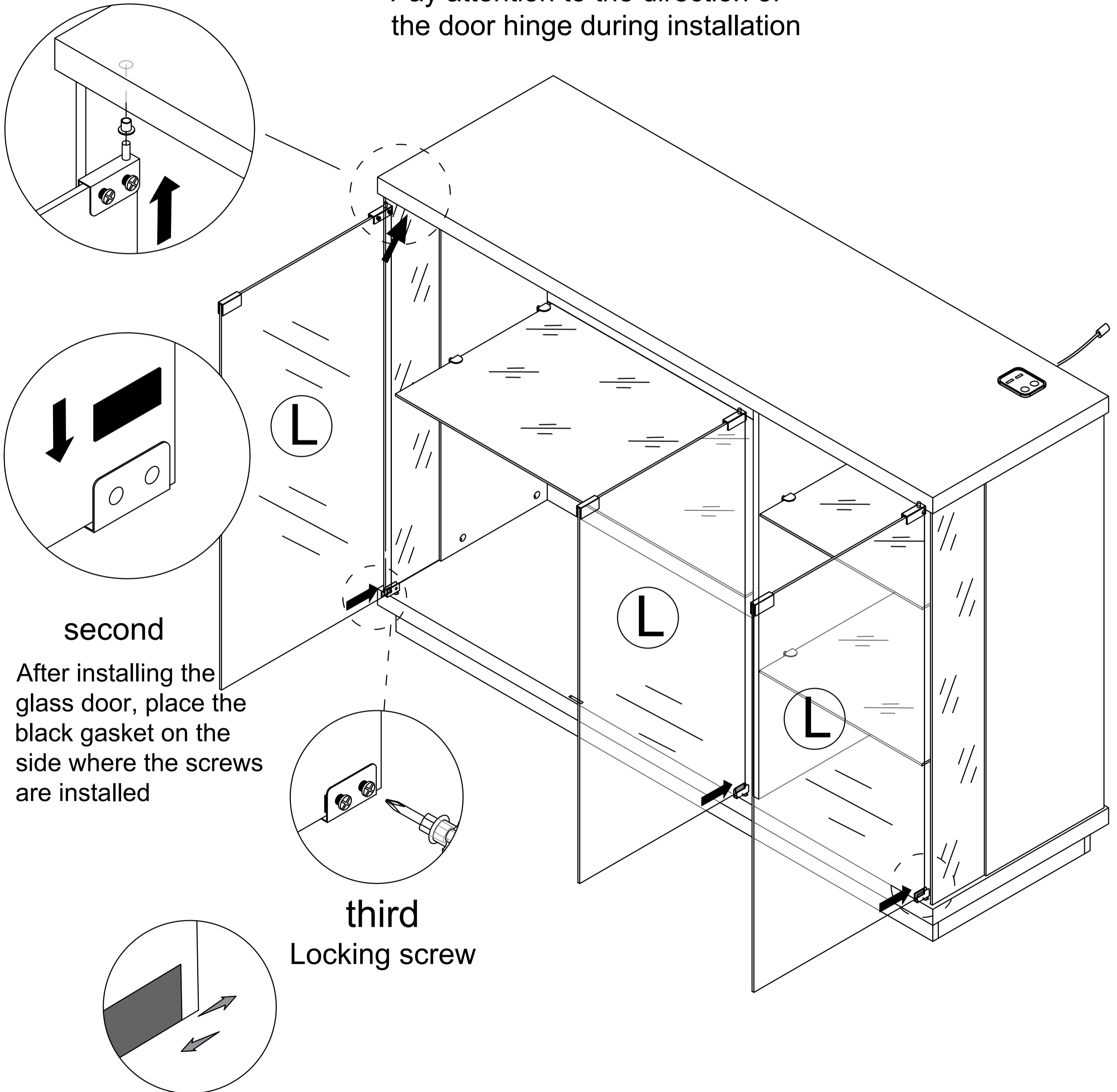
Step 21



Step 22

When installing a glass door, it is recommended to have two people install it to avoid the glass door colliding or hitting oneself.

Pay attention to the direction of the door hinge during installation



second

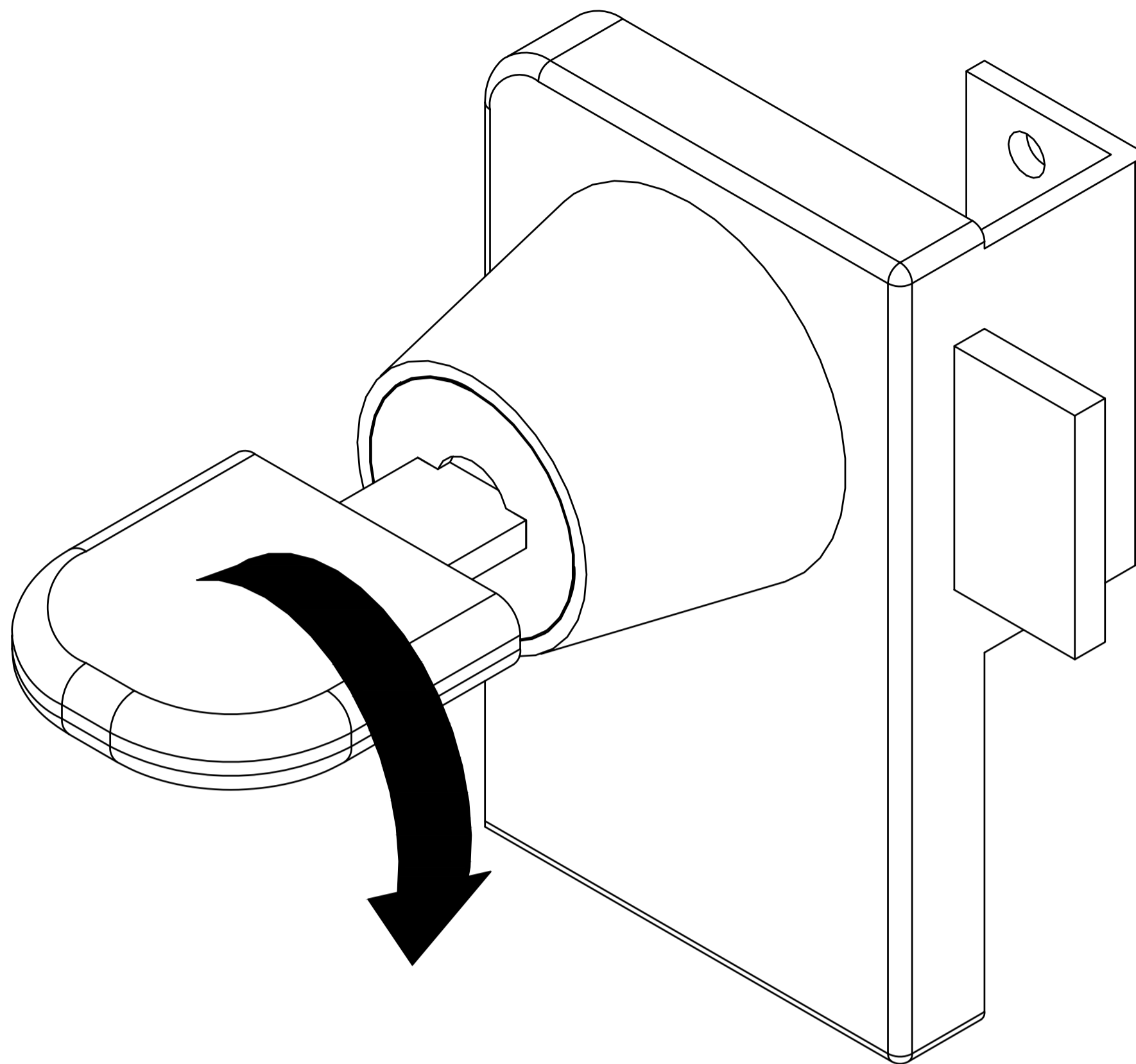
After installing the glass door, place the black gasket on the side where the screws are installed

third

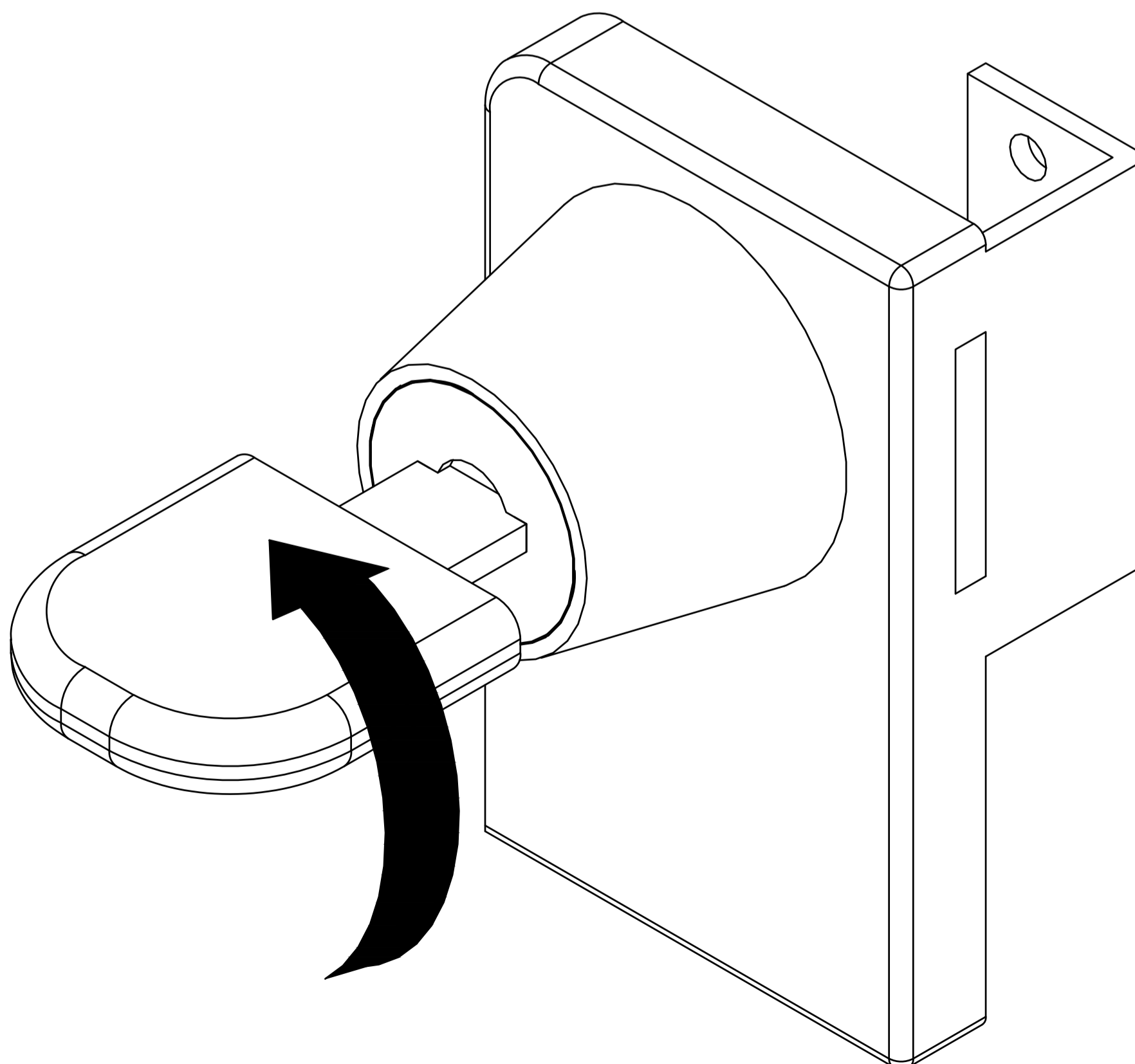
Locking screw

The distance between the mounting piece and the glass should be 2 mm, which can be adjusted left and right and fixed as needed.

Tip: Turning the door lock to the right will close it

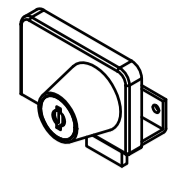


Tip: Turning the door lock to the left opens it

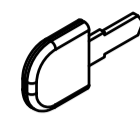


Step 23

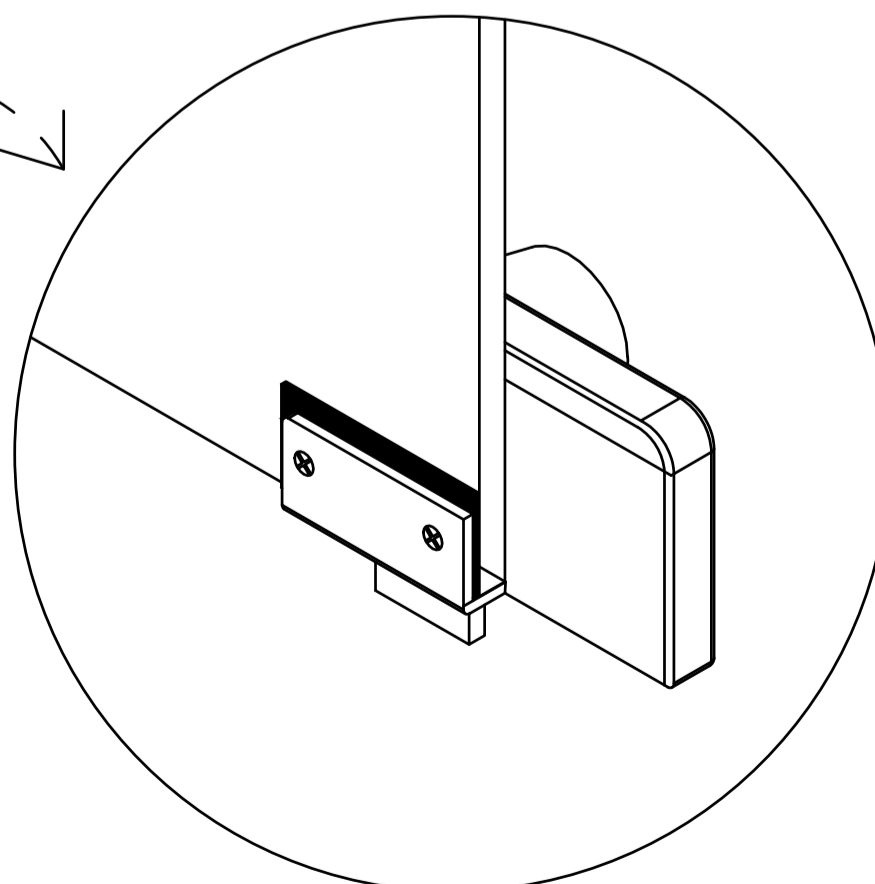
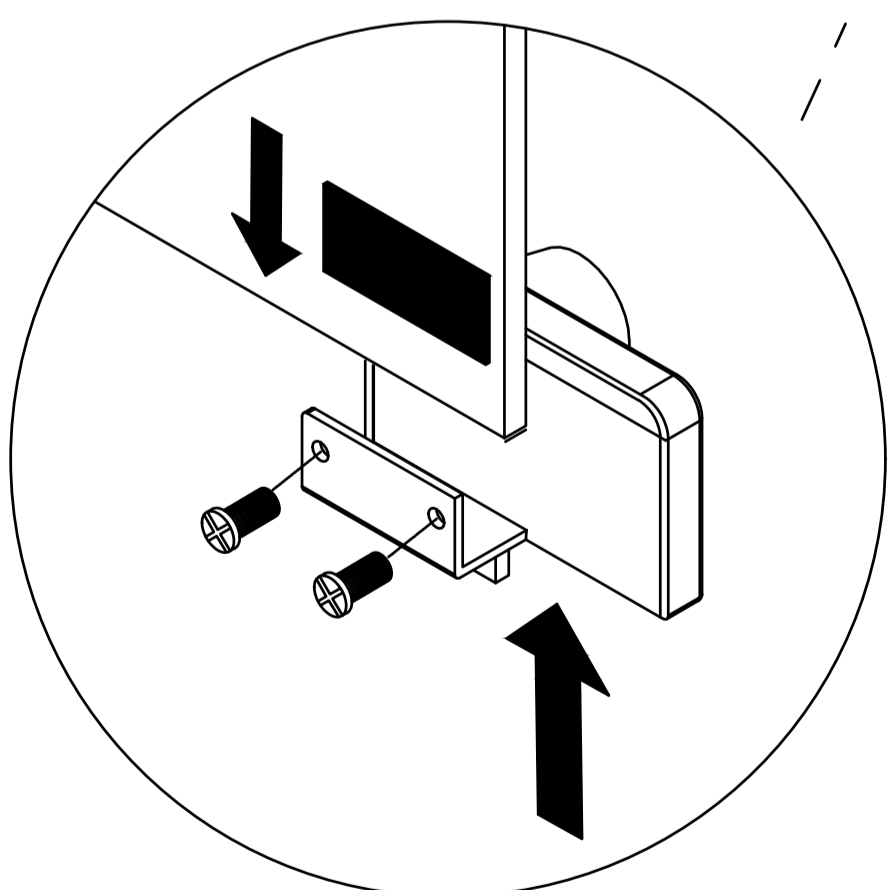
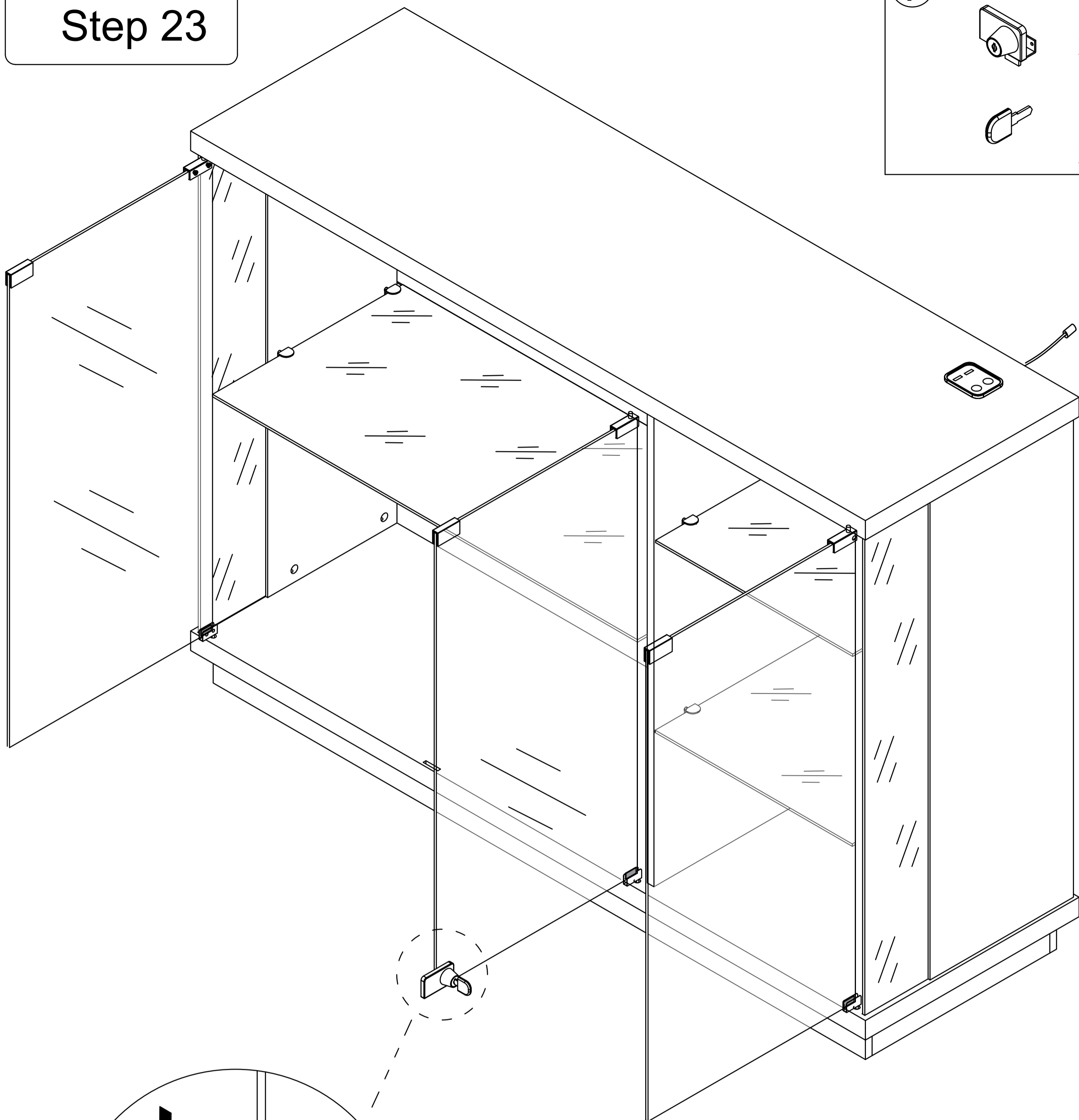
9



x1



x2

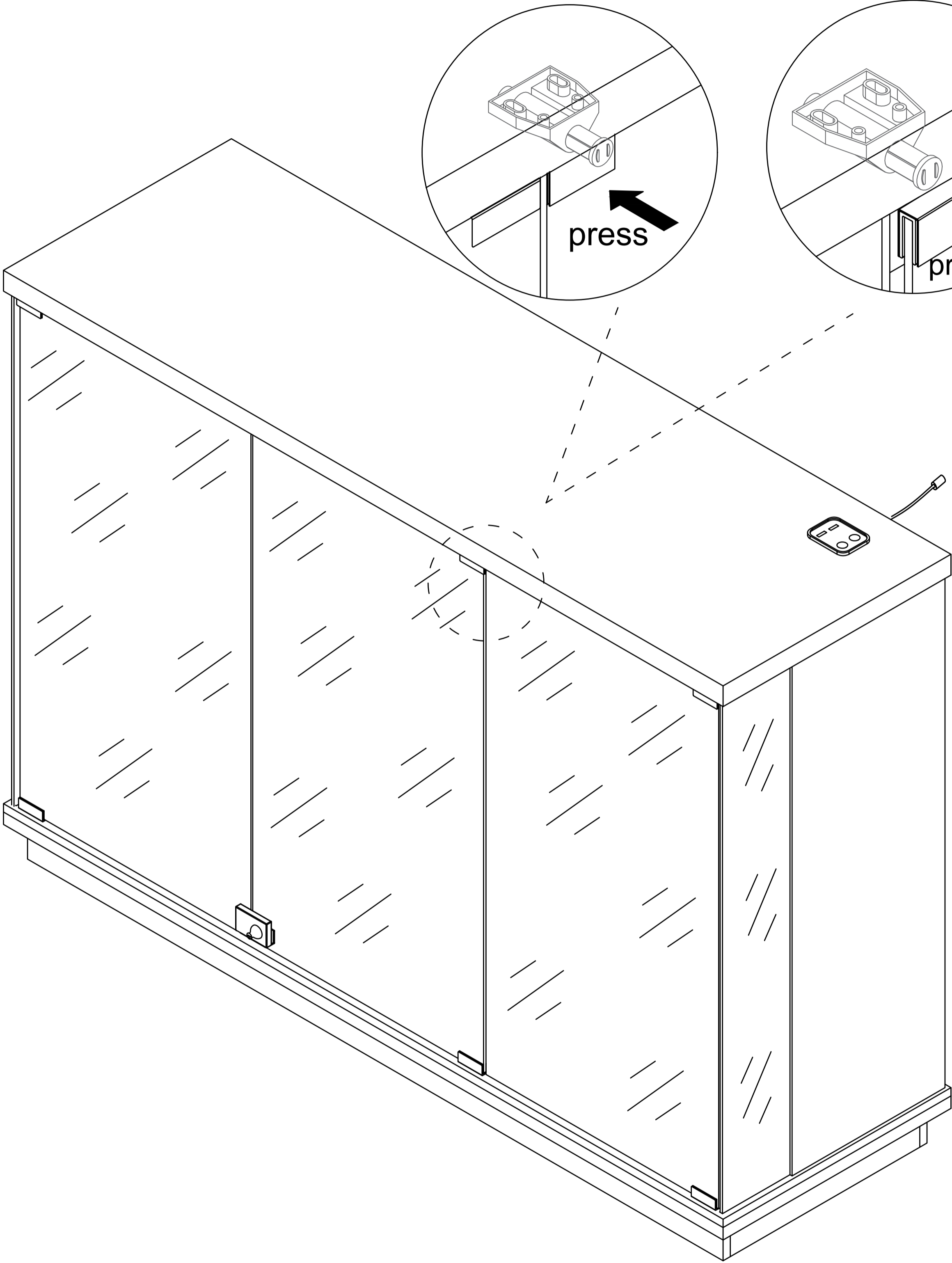


The black adhesive tape and the lock position should be aligned

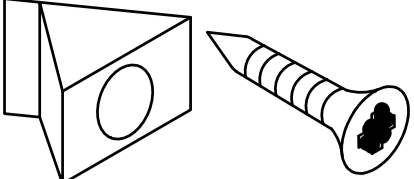
Step 24


Open the glass door

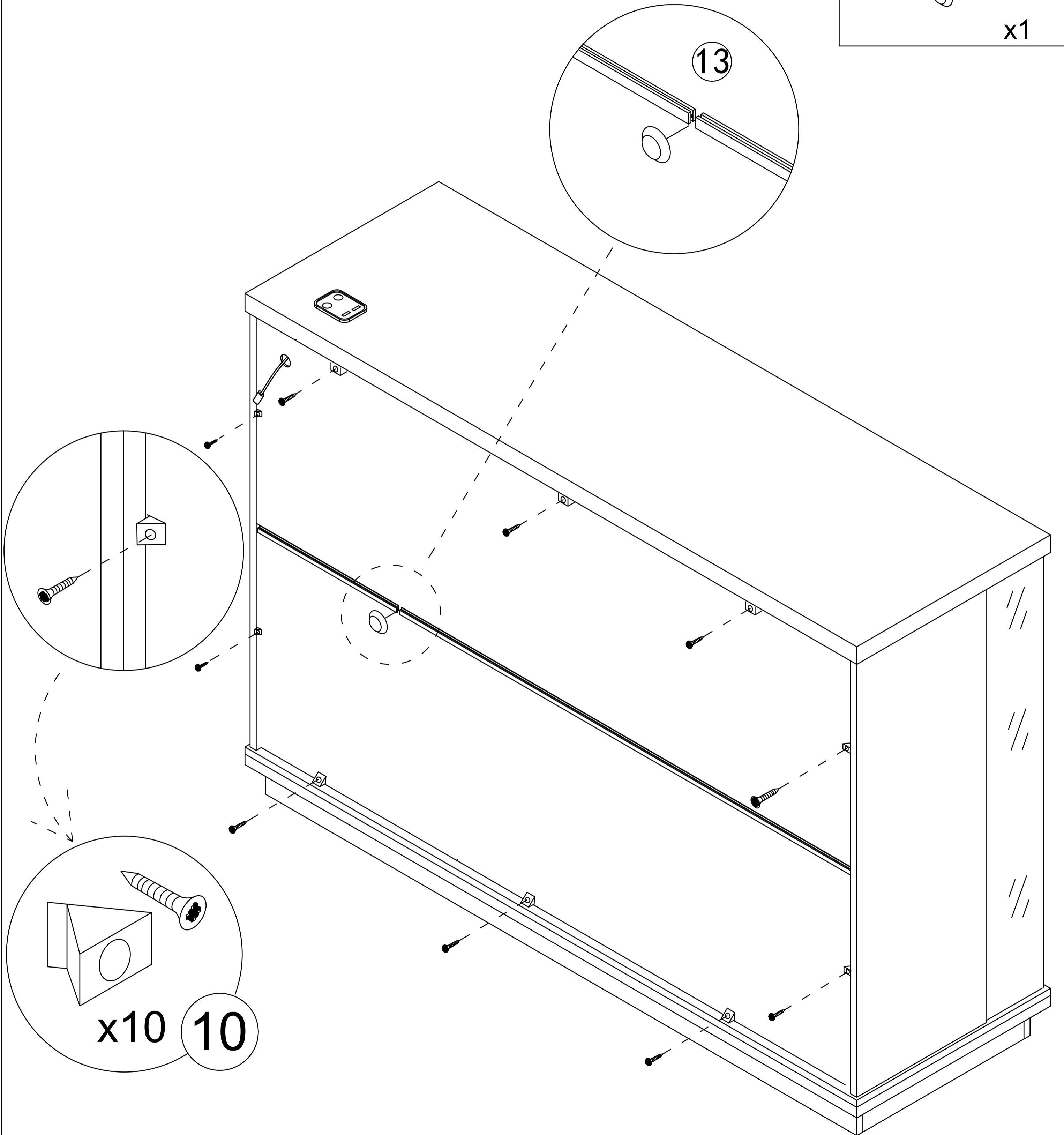
Close the glass door



Step 25

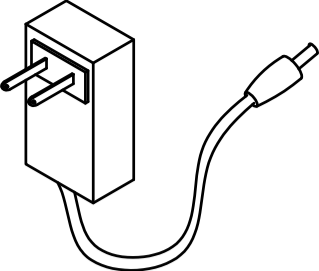
10  x10

13  x1

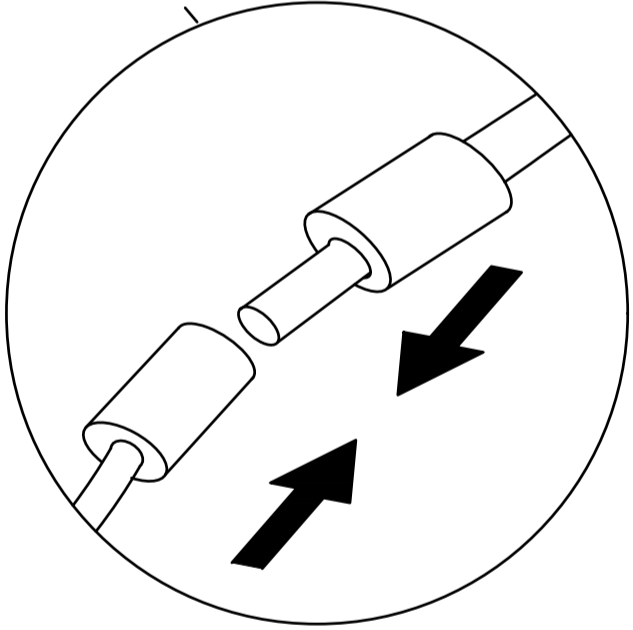
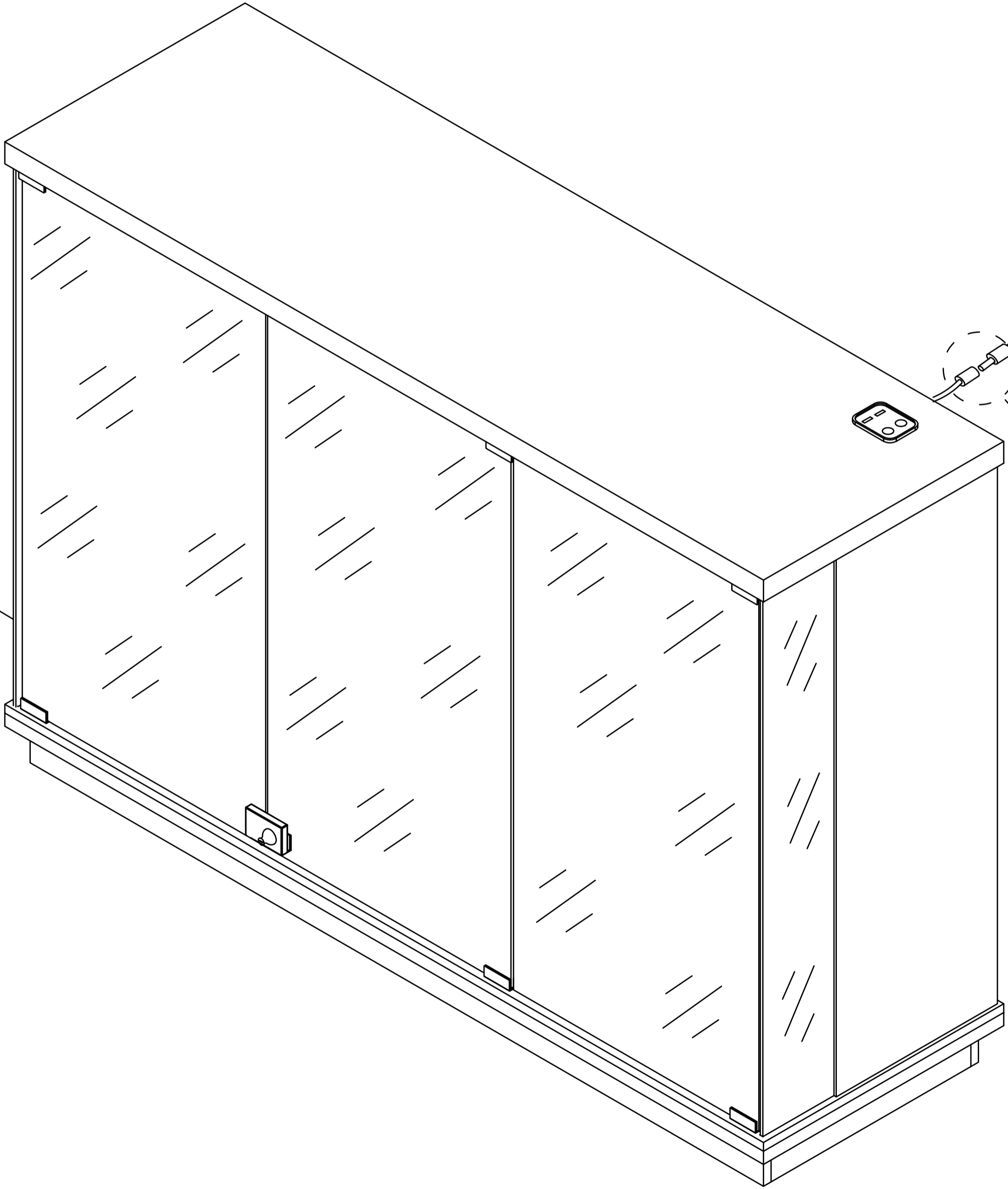


Step 26

11



x1



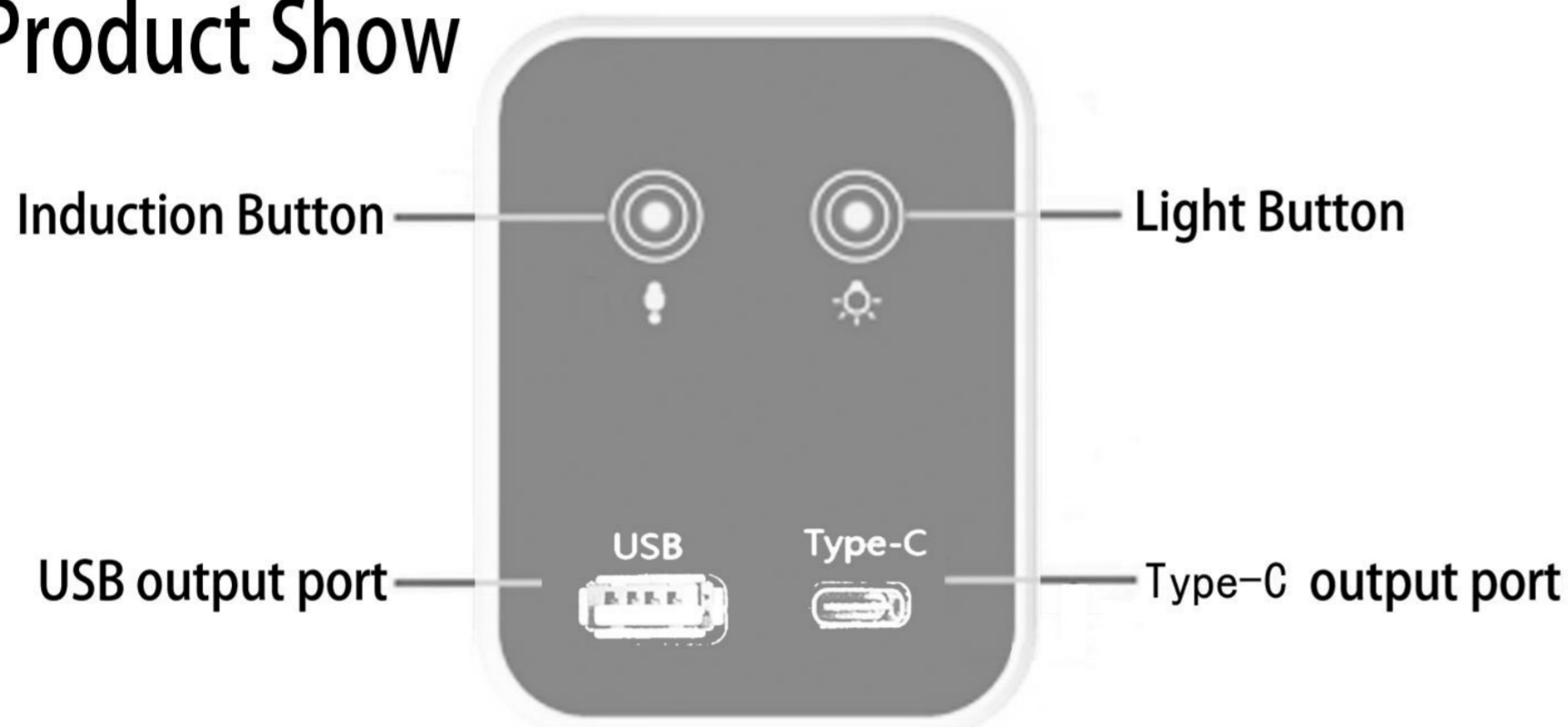
User's Guide

Thank you for purchasing this product. To use this product, please plug it into a 12V DC power supply. Please use if the product works normally after connecting to power.

Introduction

The box is an intelligent controller. It has 1 USB port and 1 type-C port and can distribute the current output up to 5V DC-2A. With 2 touch buttons, it can turn ON/OFF the light, change light colors, and adjust the light luminance.

Product Show



ATTENTION PLEASE

1. If there is no touch response suddenly, Re-plug the power to reset the touch static electricity.
2. If bubbles appear on the panel, remove the protective film.

Operation



This touch button is used to turn on/off, change colors, and adjust brightness.

A. Short touch -> lighting on -> short touch -> change light color -> short touch -> change light color -> short touch -> lighting off. B. Long touch -> adjust the luminance



This touch button is used to turn on/off the induction function.

A . Short touch to turn on the induction function. It can auto-turn on the light when people are close to the controller in 1 meters. It can auto power off the light when the body is far away from the controller after 30 seconds.

B . Long touch to turn off the induction function.

C . Note: When you touch the light button to change the light modes, the induction function will automatically turn off. It is best to turn on this function after selecting the light color and adjusting the brightness you want.