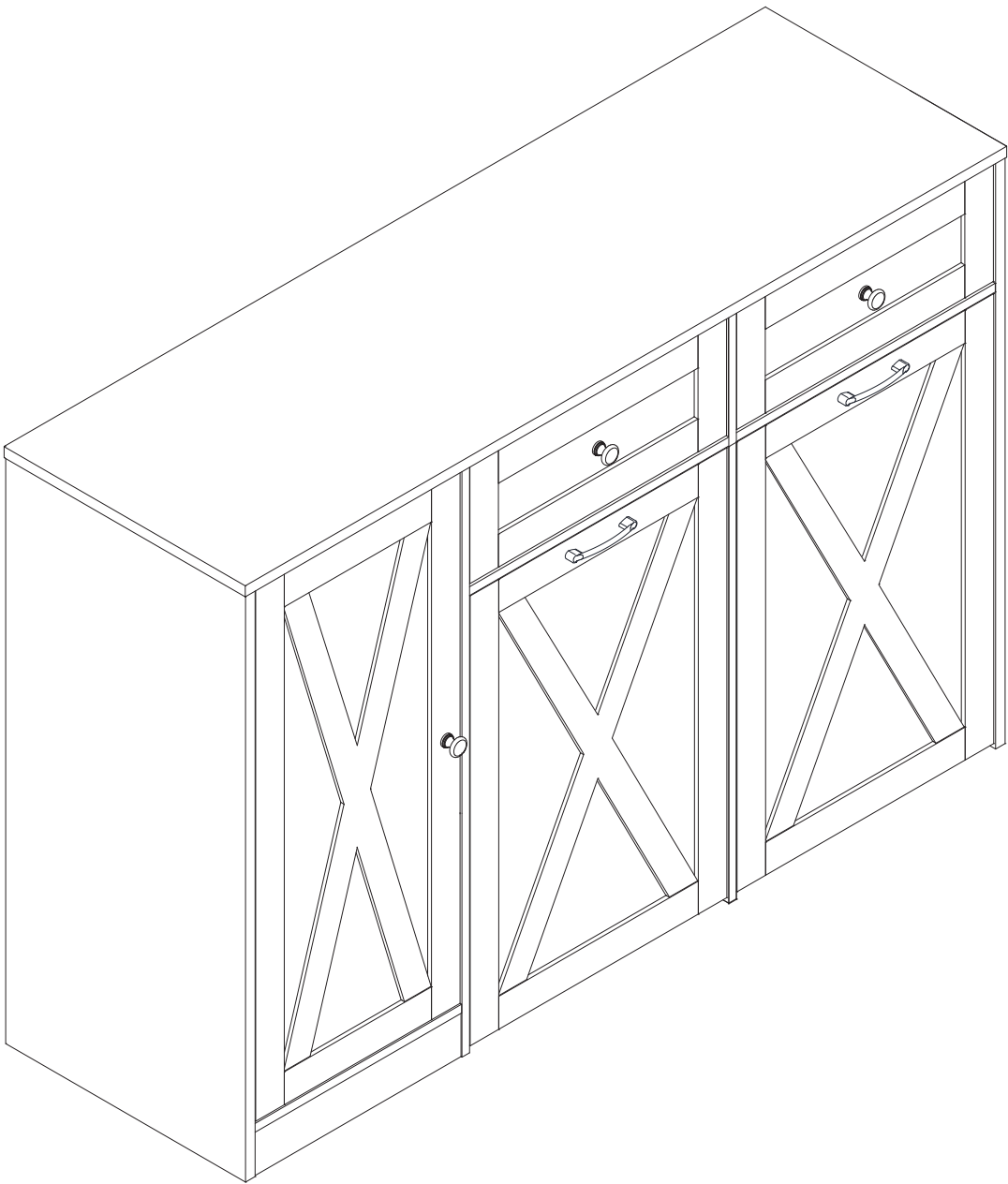


Instruction Manual



HOS-PB-355

HOS-PB-356

HOS-PB-357 V1.0

Storage Cabinet

EN

Thank you for purchase on our products. Please contact us if you have difficulty with assembly or need replacement parts. Our customer service is here to assist you. Please attach your User Name or Order ID so that we can assist you better.

WARNING

Serious or fatal injury may occur from unexpected assembly or use.

1. During the assembly process, keep all parts away from babies or children.
2. Always securely fix this product to the wall. Make sure the wall area to be drilled is free from hidden electrical wires, water and gas pipes.
3. Use of tip-over restraints may only reduce, but not eliminate the risk of tip-over.
4. Unless specially designed to accommodate, do not set heavy objects on top of this product.
5. Place the heaviest items on the lowest shelf.
6. Never allow children to climb or bang on drawers, doors or shelves.

DE

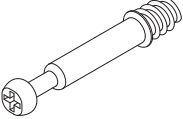
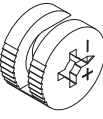
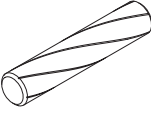
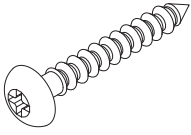
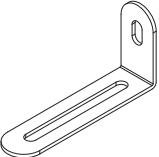
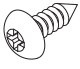
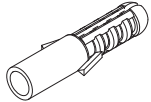
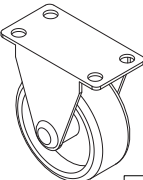
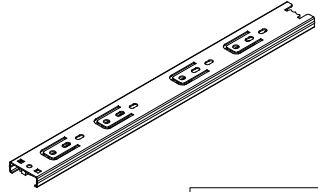
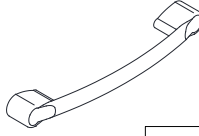
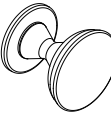
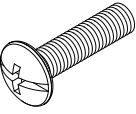
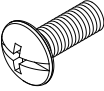
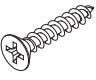
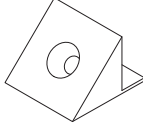
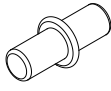
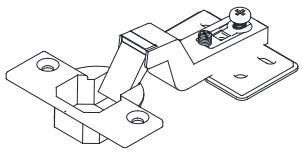
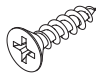

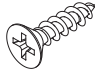
Vielen Dank für Ihren Kauf von uns Produkten. Bitte kontaktieren Sie uns, wenn Sie Probleme mit Montage haben oder Ersatzteile benötigen. Wir Kundenservice ist für Sie da. Bitte geben Sie Ihren Benutzernamen oder Ihre Bestellnummer an, damit wir Sie besser unterstützen können.

WARNUNG

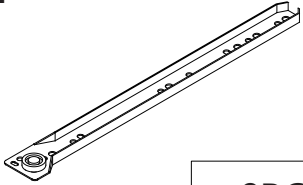
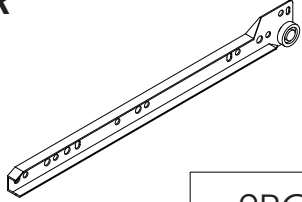
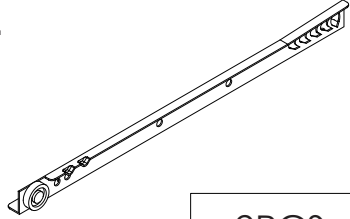
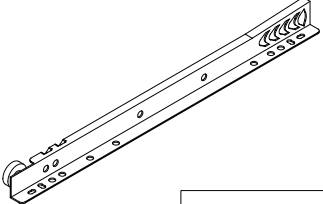
Bei unerwarteter Montage oder Verwendung können schwere oder tödliche Verletzung auftreten.

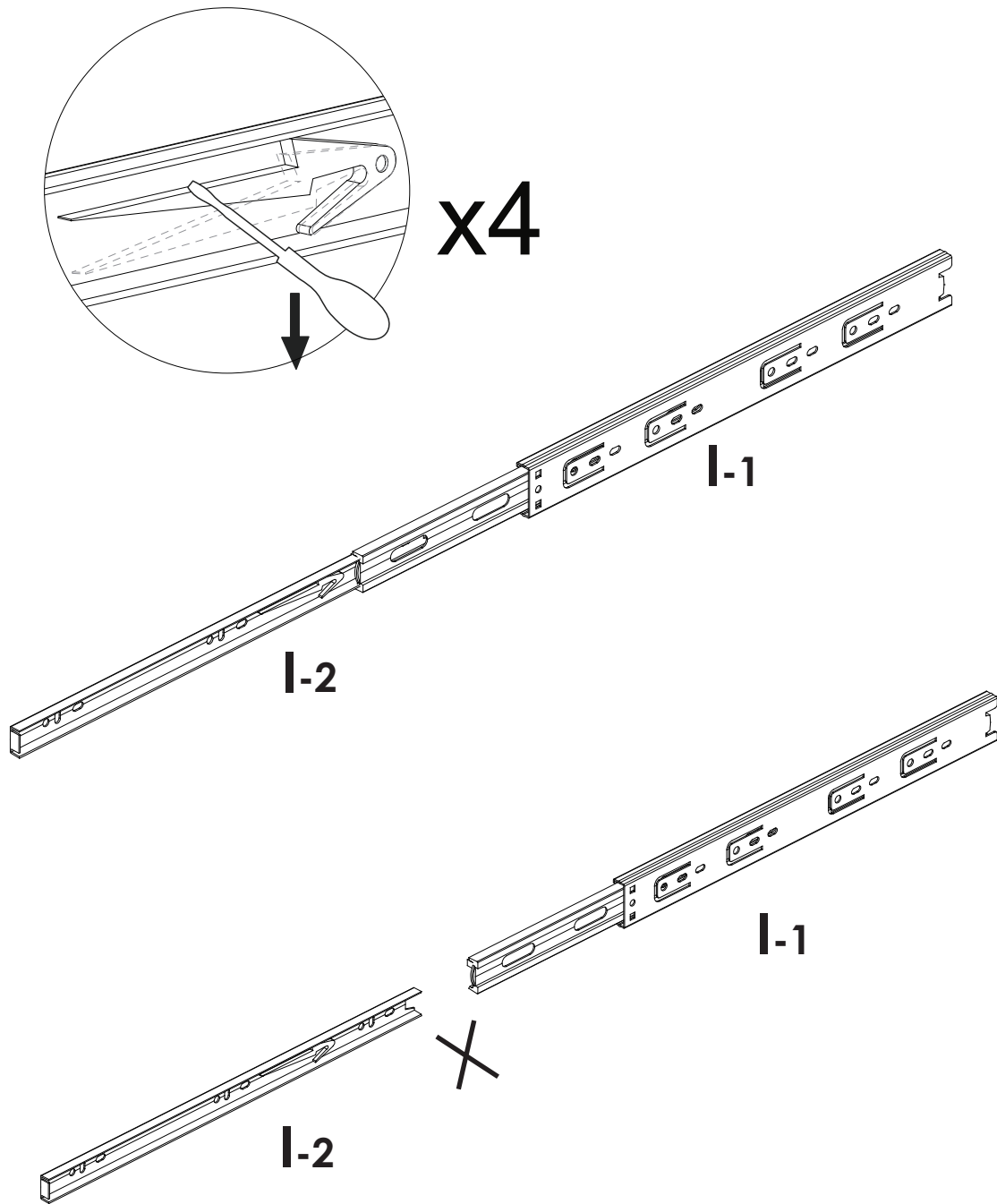
1. Legen Sie in den Montageprozess alle Teile weg von Babys oder Kindern.
2. Stellen Sie sicher, dass der gebohrte Wandbereich frei von verborgenen Stromkabeln, Wasser- und Gasleitungen ist, wenn Sie dieses Produkt an der Wand befestigen.
3. Die Verwendung von Kippsicherungen kann die Gefahr eines Kippens nur verringern, jedoch nicht beseitigen.
4. Setzen Sie bitte keine schweren Gegenstände auf dieses Produkt, es sei denn, dass das Produkt speziell für die Unterbringung konzipiert wird.
5. Legen Sie bitte die schwersten Gegenstände auf das unterste Regal.
6. Erlauben Sie nie Kindern, auf Schubladen, Türen oder Regale zu klettern oder zu knallen.

Parts List(EN) / Teile Liste(DE)

<p>A</p>  <p>M6x35mm 43+2PCS</p>	<p>B</p>  <p>Ø15x9mm 43+2PCS</p>	<p>C</p>  <p>Ø6x30mm 56+2PCS</p>
<p>D</p>  <p>M4x35mm 26+2PCS</p>	<p>E</p>  <p>2PCS</p>	<p>F</p>  <p>M4x12mm 26+2PCS</p>
<p>G</p>  <p>2PCS</p>	<p>H</p>  <p>4PCS</p>	<p>I</p>  <p>330mm 4PCS</p>
<p>J</p>  <p>2PCS</p>	<p>K</p>  <p>3PCS</p>	<p>L</p>  <p>M4x16mm 5PCS</p>
<p>M</p>  <p>M4x8mm 2PCS</p>	<p>N</p>  <p>M3x14mm 12+1PCS</p>	<p>O</p>  <p>12+1PCS</p>
<p>P</p>  <p>4PCS</p>	<p>Q</p>  <p>2PCS</p>	<p>R</p>  <p>M3.5x12mm 48+2PCS</p>
<p>S</p>  <p>1PCS</p>	<p>T</p>  <p>M3.5x14mm 12+1PCS</p>	

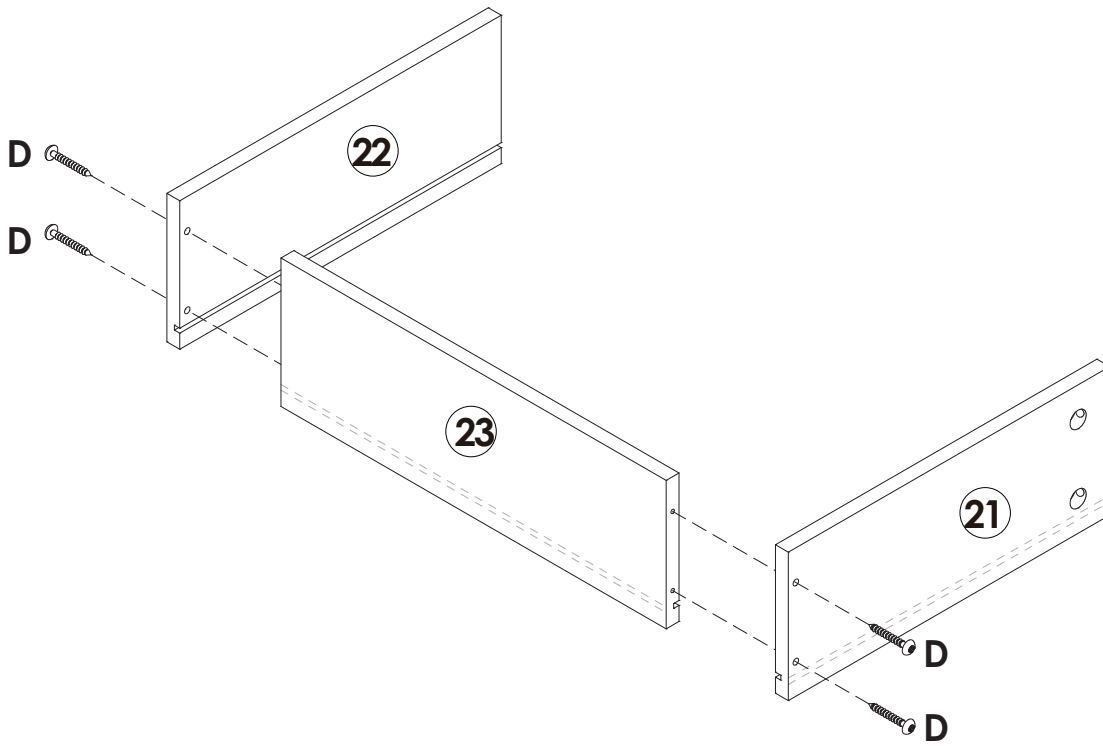
Parts List(EN) / Teile Liste(DE)

CL  L=300MM 2PCS	CR  L=300MM 2PCS	DL  L=300MM 2PCS
DR  L=300MM 2PCS		



Note: To disassemble the slide rails, first pull out the slide rails. Then use a screwdriver to push down the plastic parts and draw tracks to the sides.

STEP 1

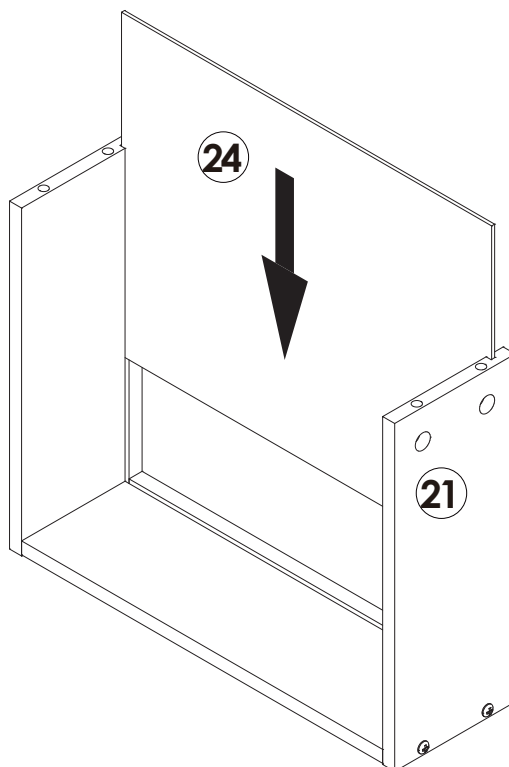


x2



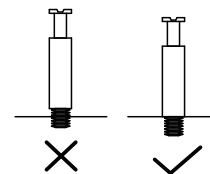
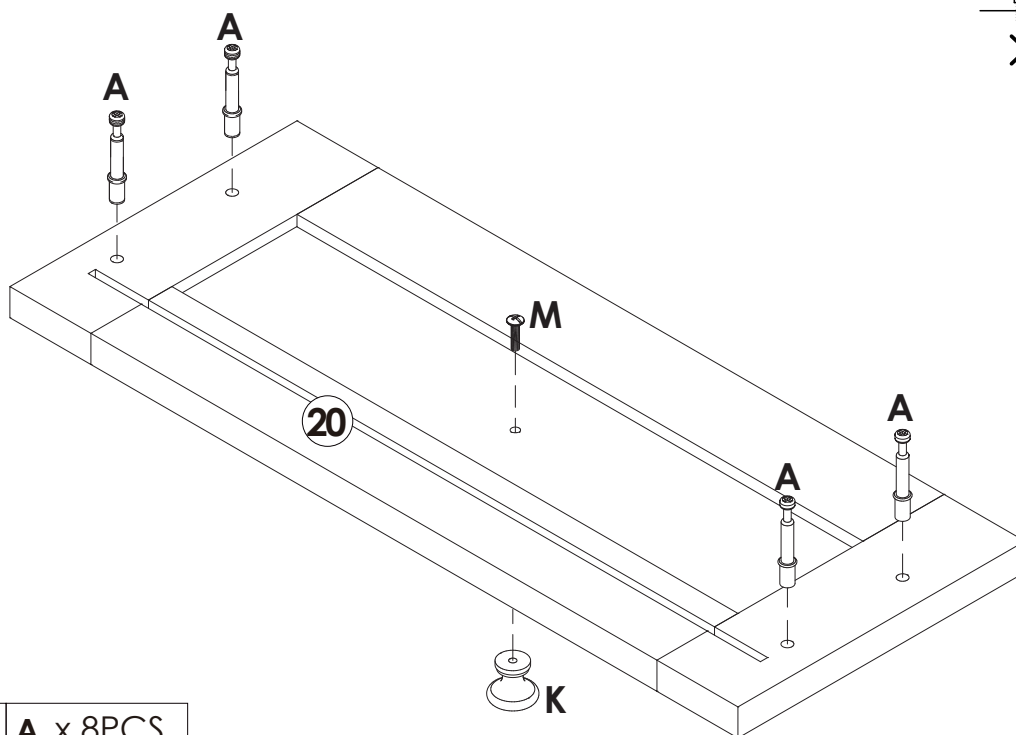
D x 8PCS




STEP 2



x2

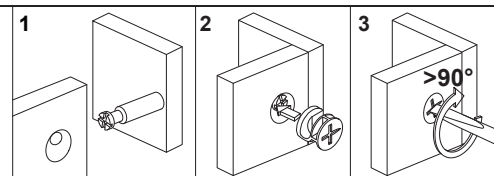
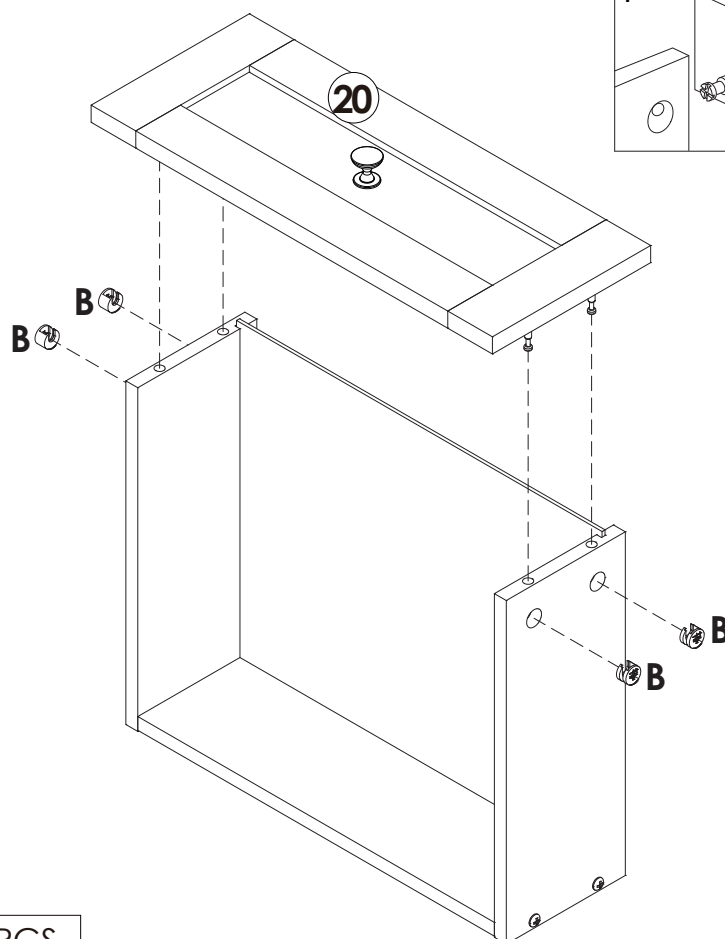
STEP 3




	A x 8PCS
	K x 2PCS
	M x 2PCS

x2

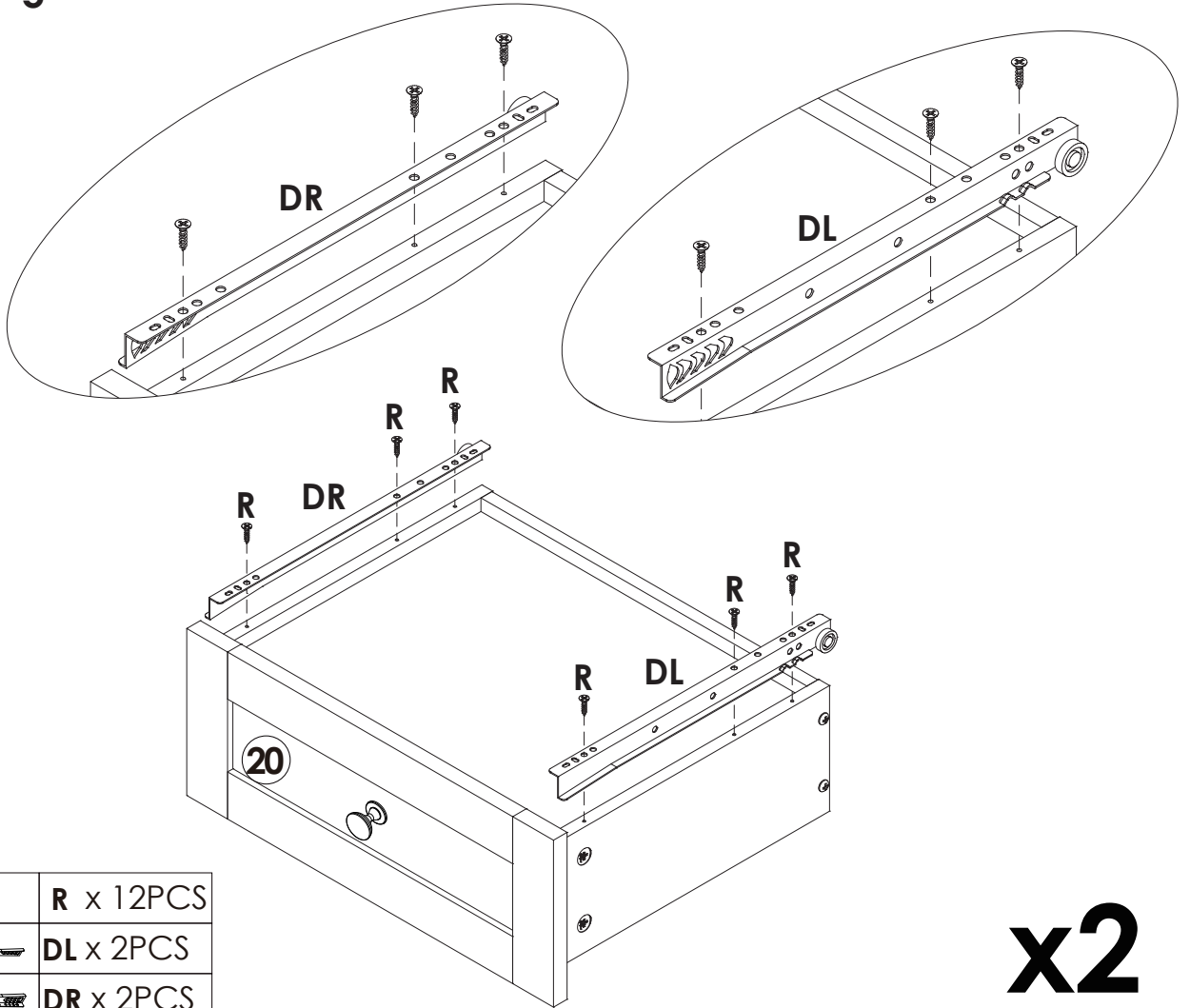
STEP 4






	B x 8PCS
---	-----------------

x2

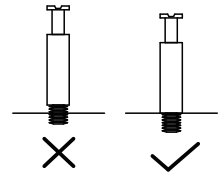
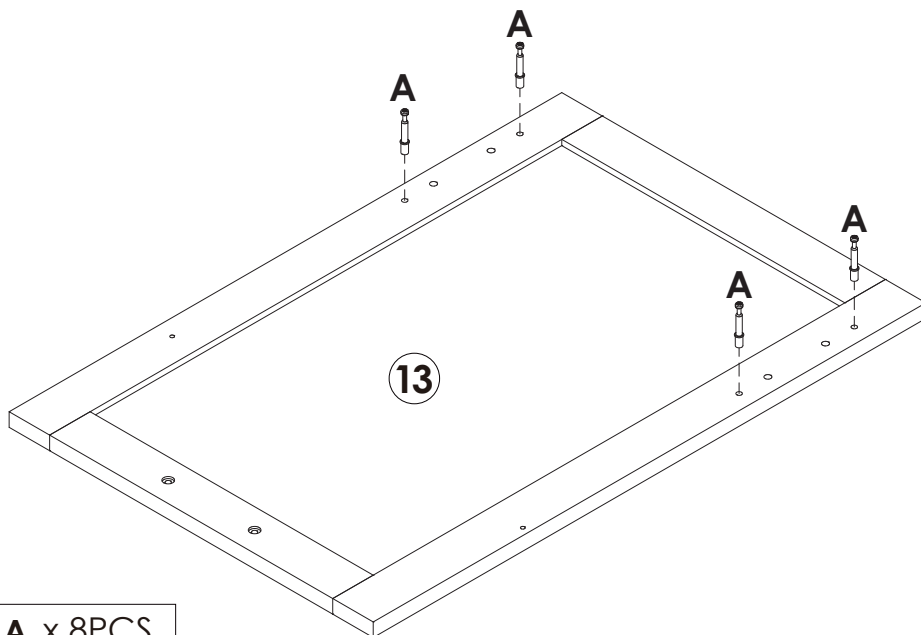
STEP 5



	R x 12PCS
	DL x 2PCS
	DR x 2PCS

x2

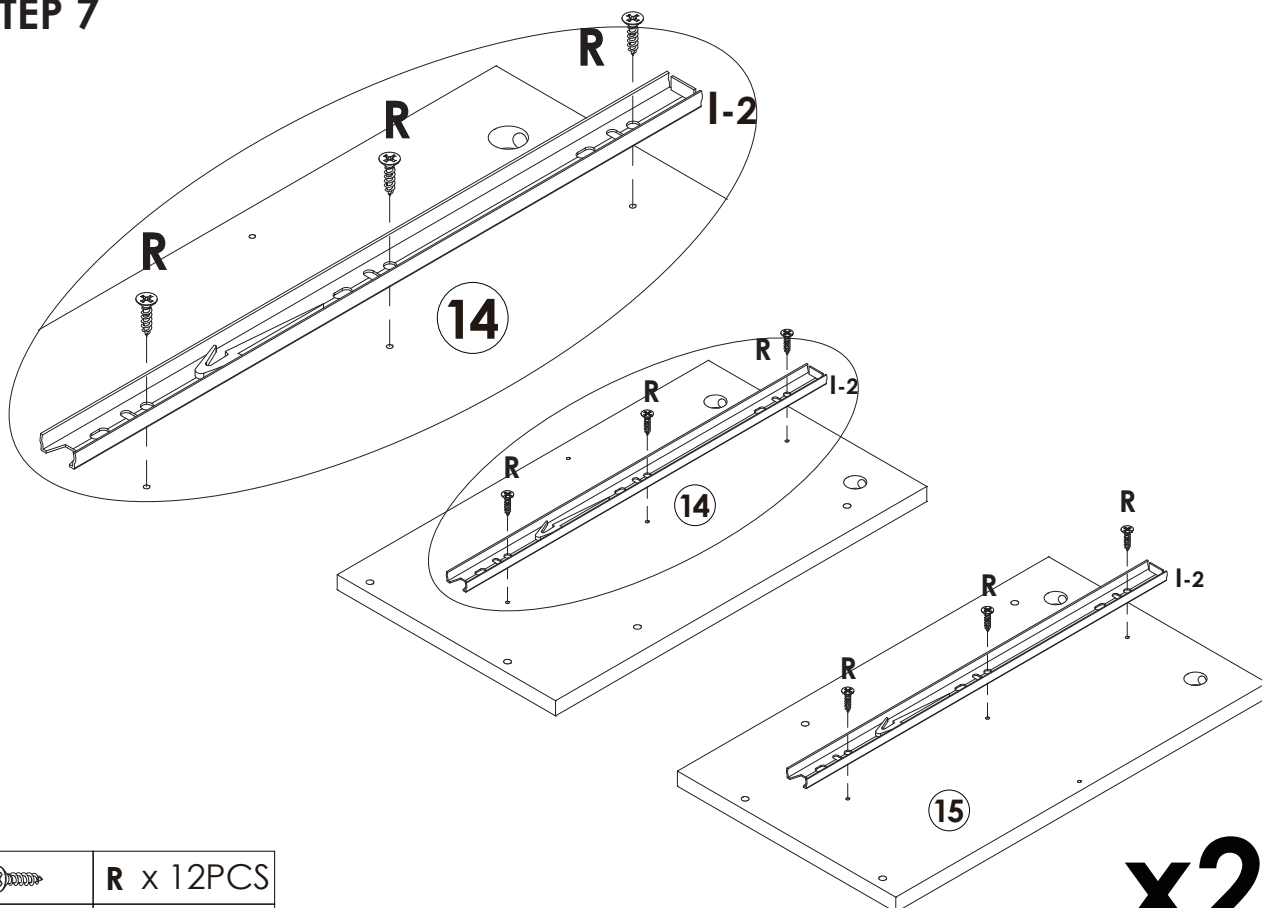
STEP 6





	A x 8PCS
---	----------

x2

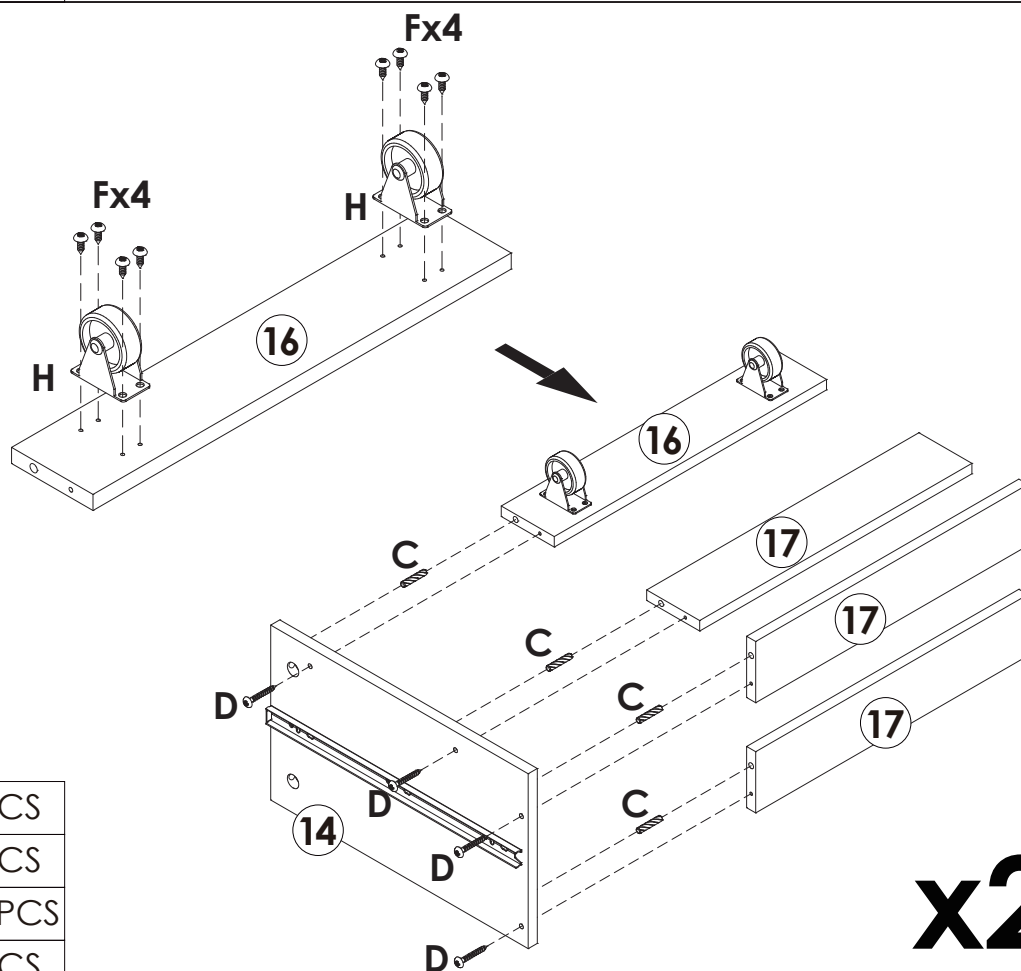
STEP 7







	R x 12PCS
	I-2x 4PCS

x2

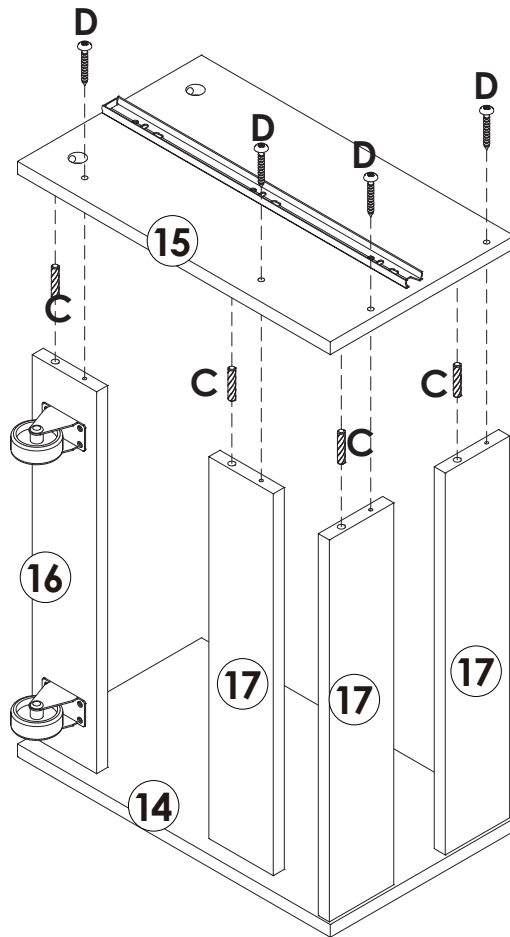
STEP 8

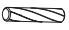



	C x 8PCS
	D x 8PCS
	F x 16PCS
	H x 4PCS

x2

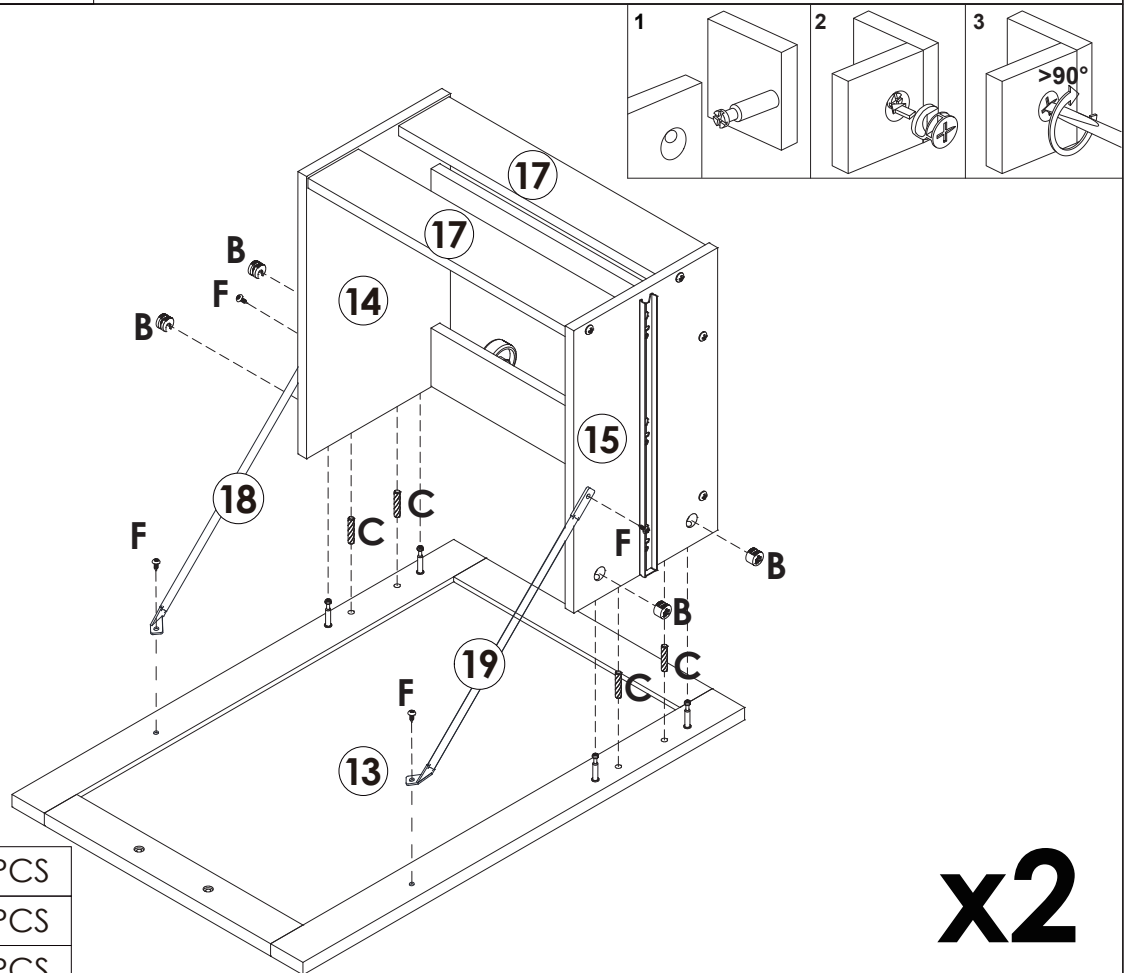
STEP 9






	C x 8PCS
	D x 8PCS

x2

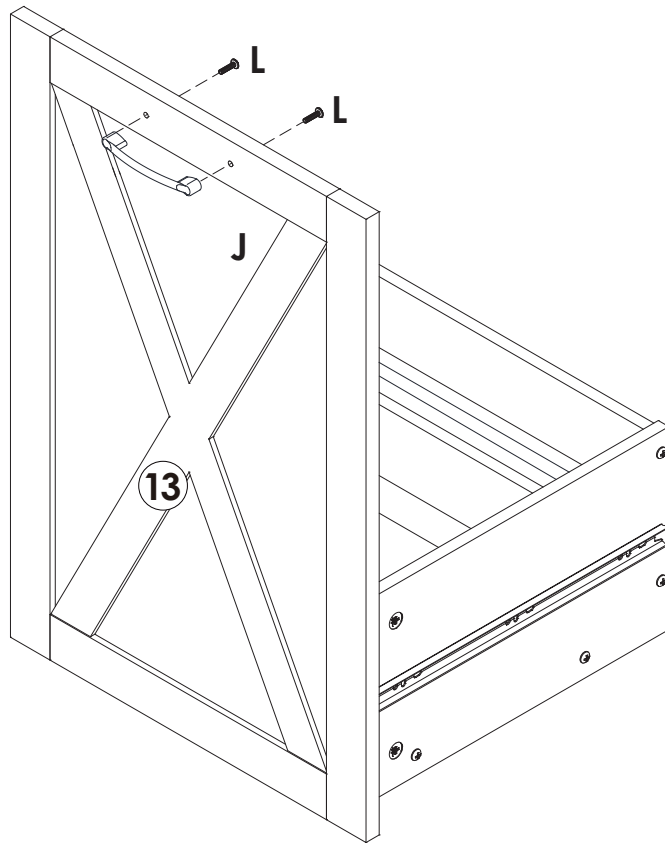
STEP 10





	B x 8PCS
	C x 8PCS
	F x 8PCS

x2

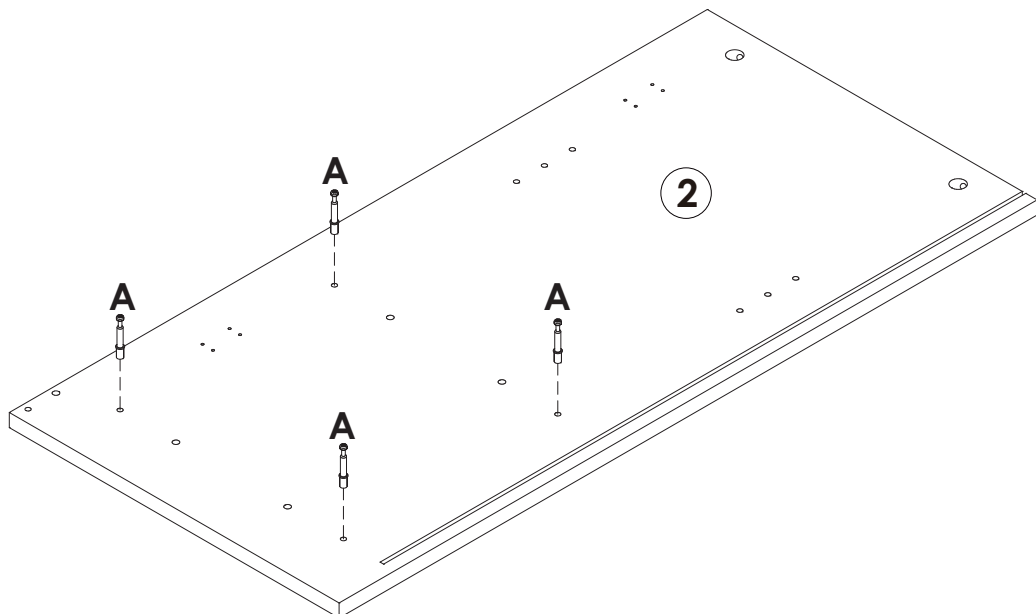
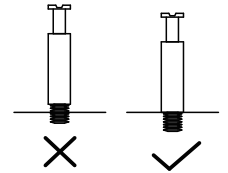
STEP 11



x2

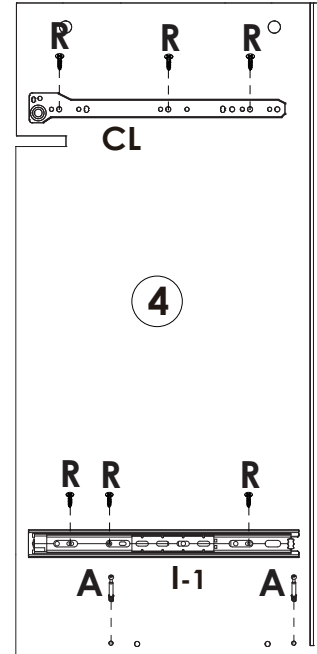
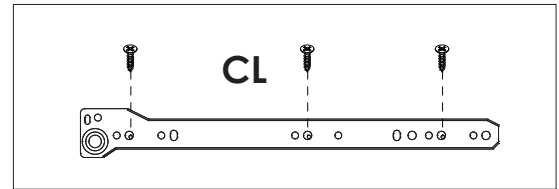
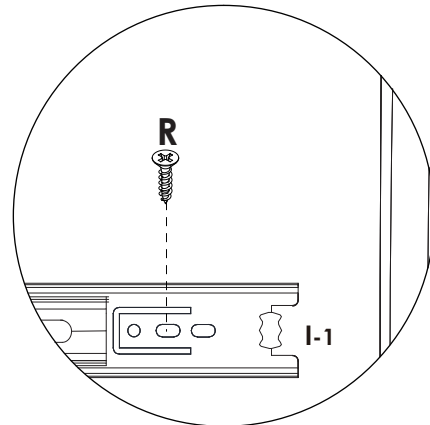
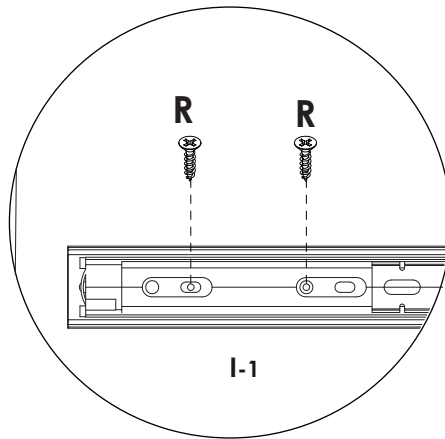
	J x 2PCS
	L x 4PCS

STEP 12



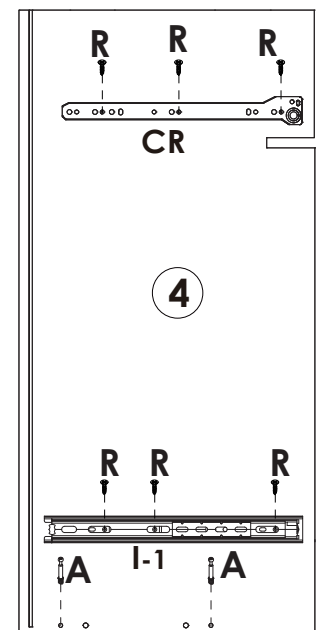
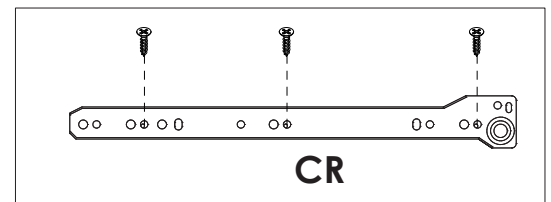
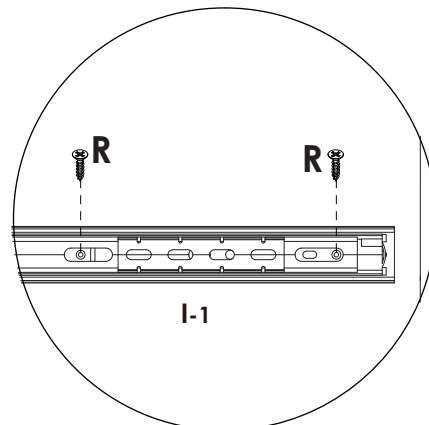
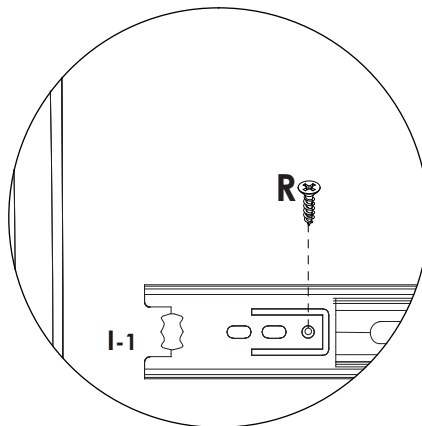
	A x 4PCS
---	----------

STEP 13



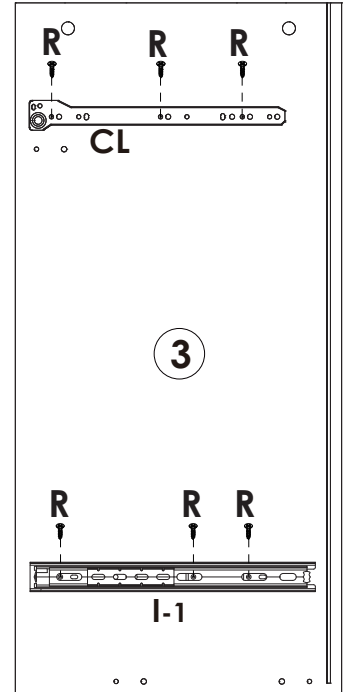
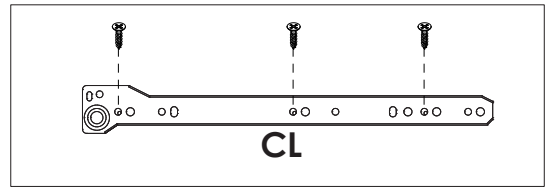
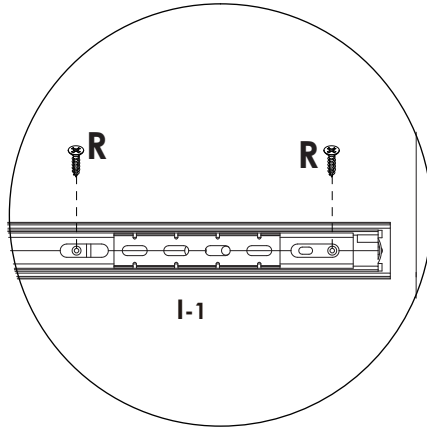
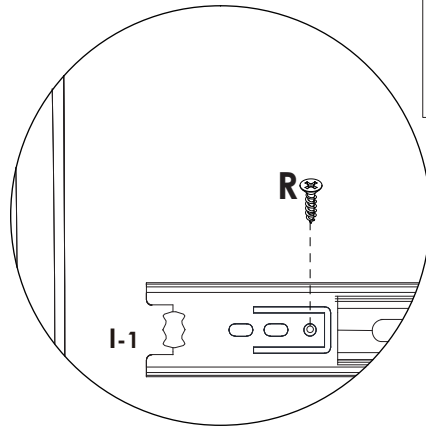
	A x 2PCS
	I-1 x 1PC
	CL x 1PC
	R x 6PCS




STEP 14



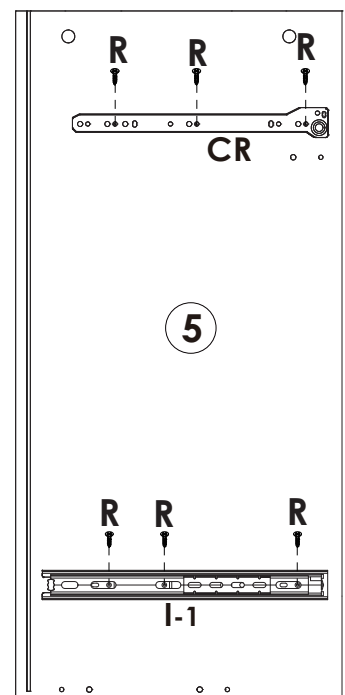
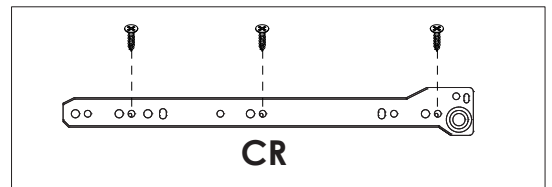
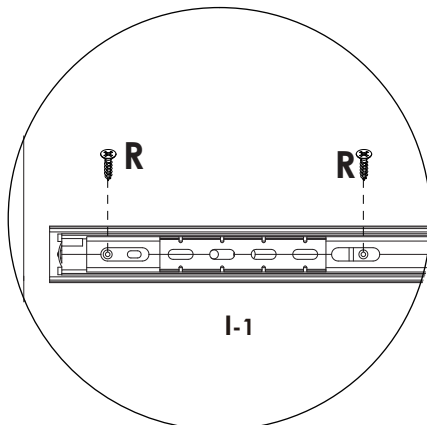
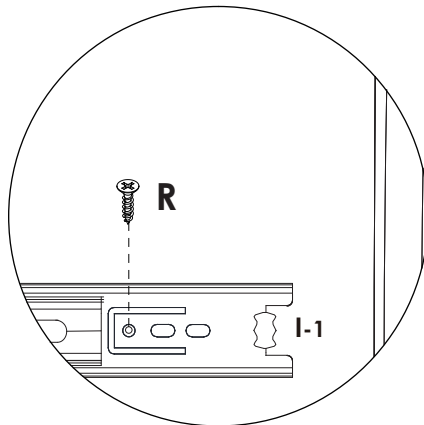
	A x 2PCS
	I-1 x 1PC
	CR x 1PC
	R x 6PCS




STEP 15



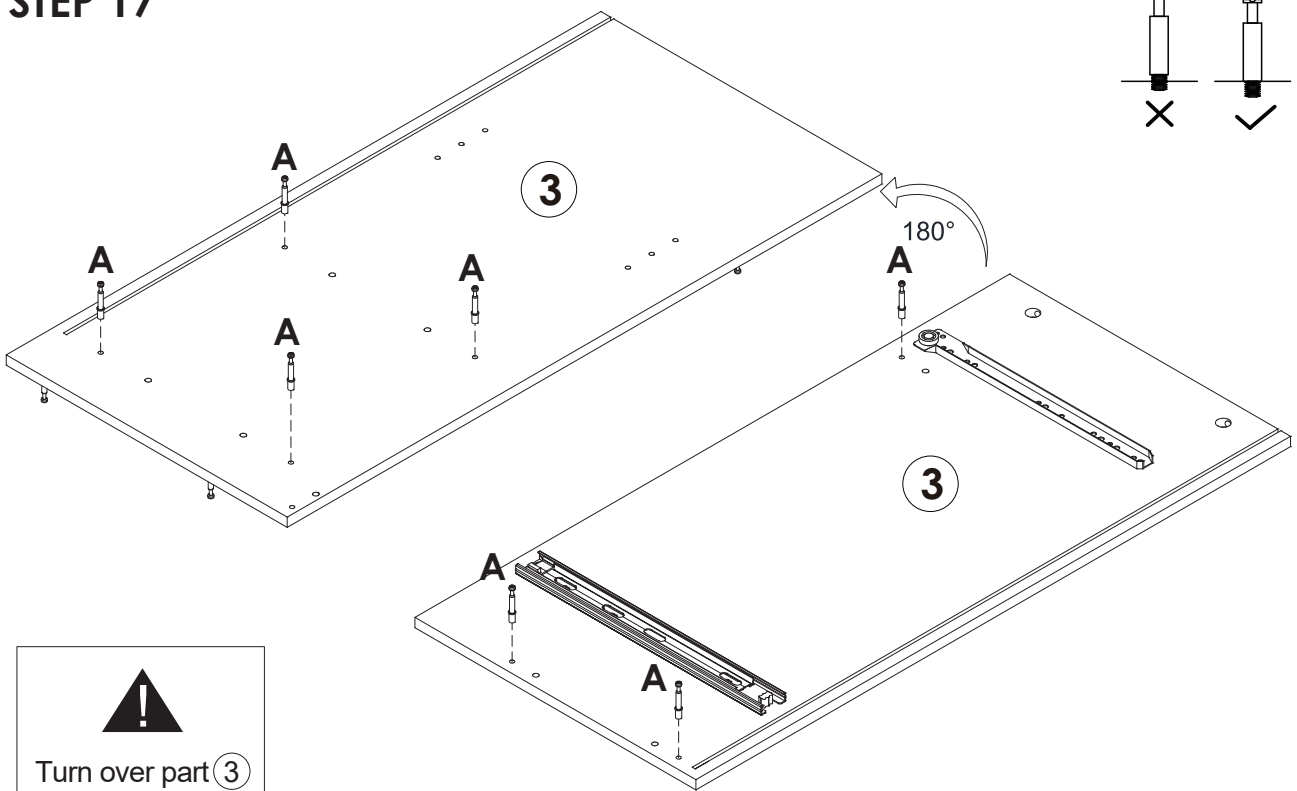
	I-1 x 1PC
	CL x 1PC
	R x 6PCS

STEP 16



	I-1 x 1PC
	CR x 1PC
	R x 6PCS

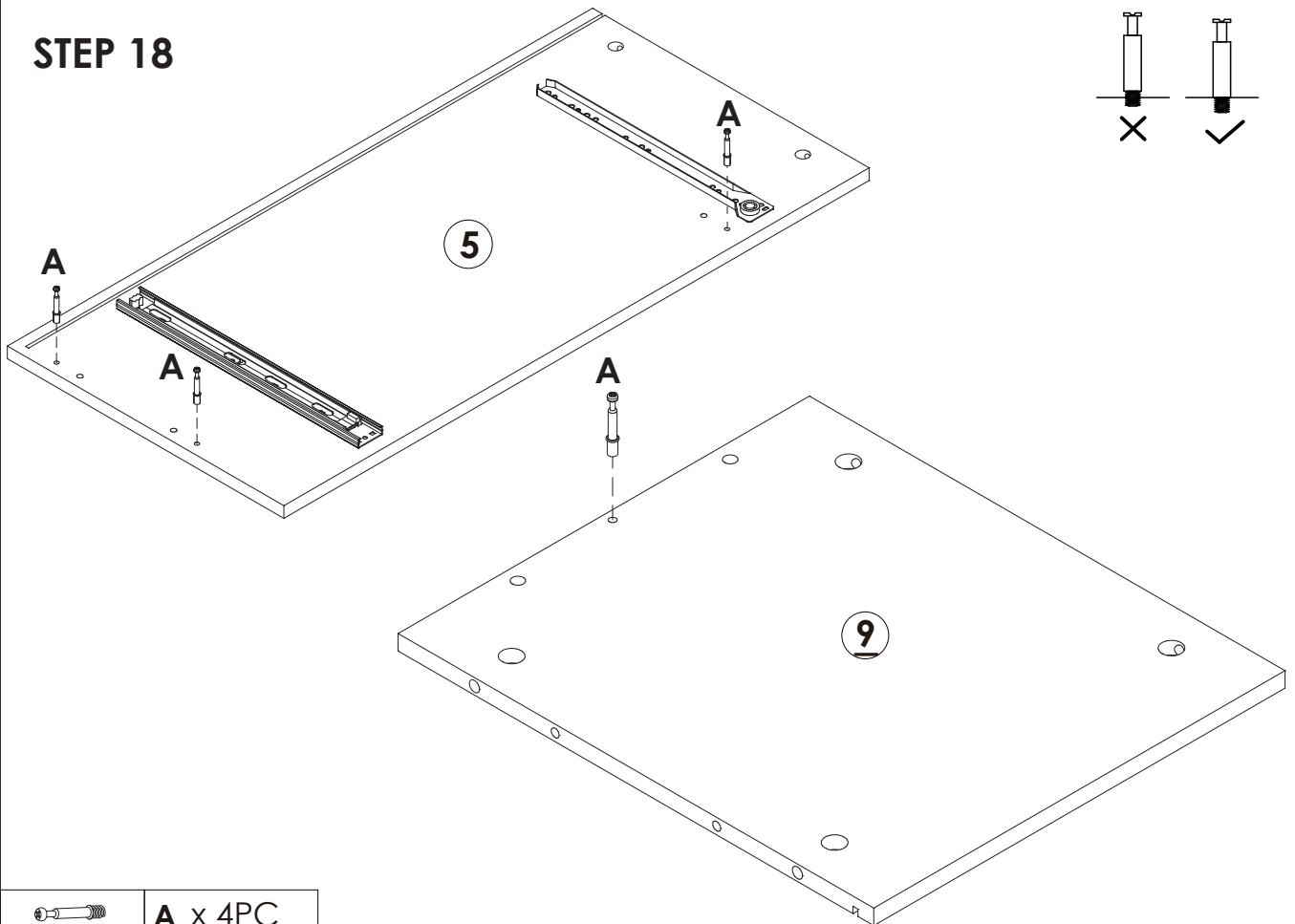
STEP 17




Turn over part ③
to install the
other side

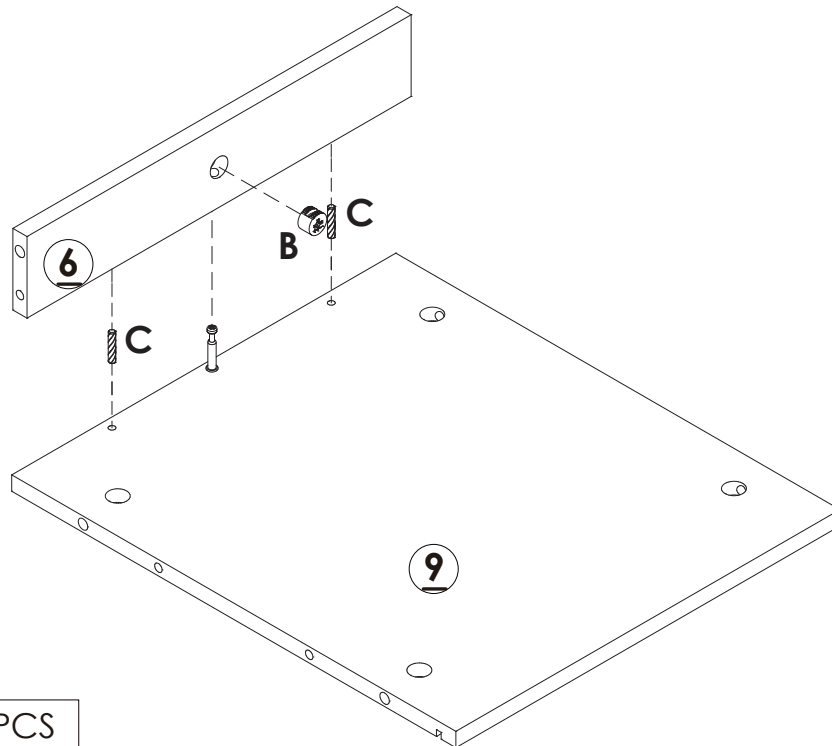
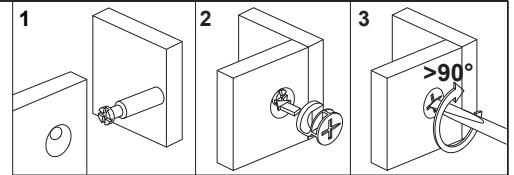
 A x 7PCS



STEP 18



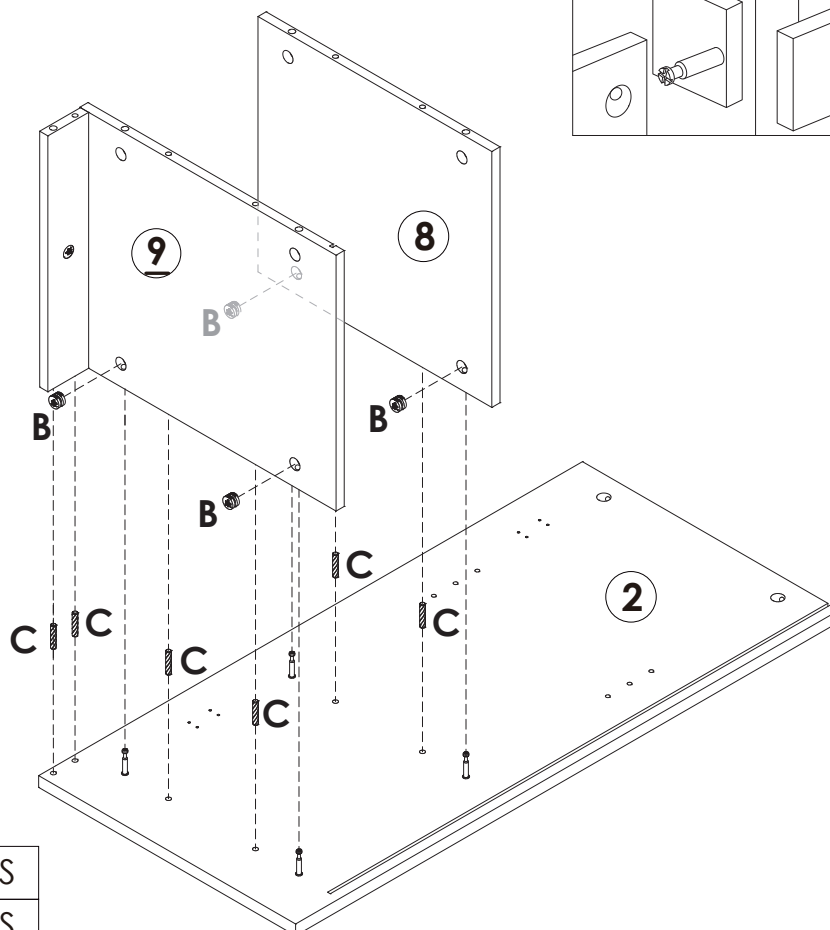
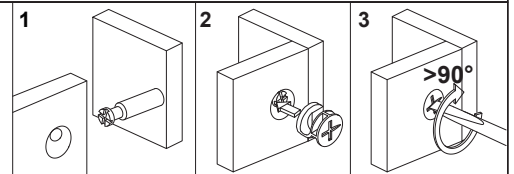
 A x 4PC



STEP 19



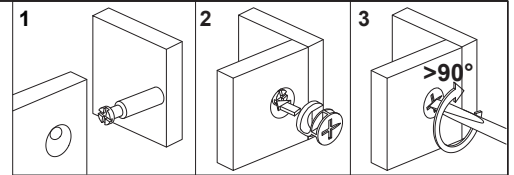
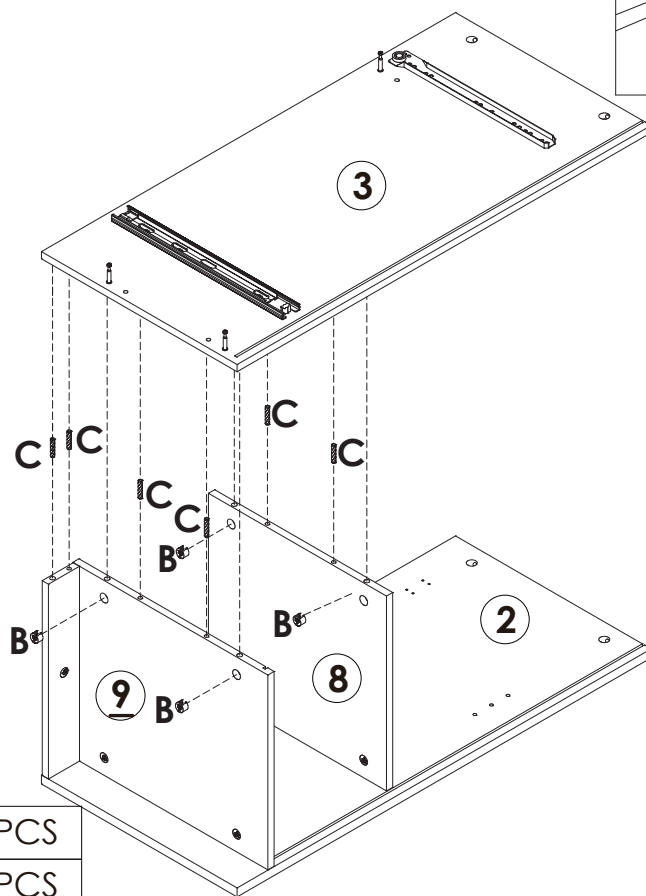
	B x 1PCS
	C x 2PCS

STEP 20



	B x 4PCS
	C x 6PCS

STEP 21

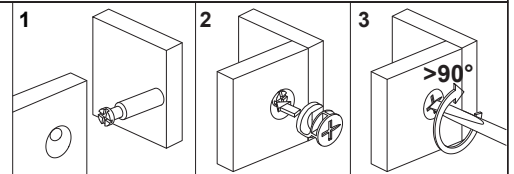
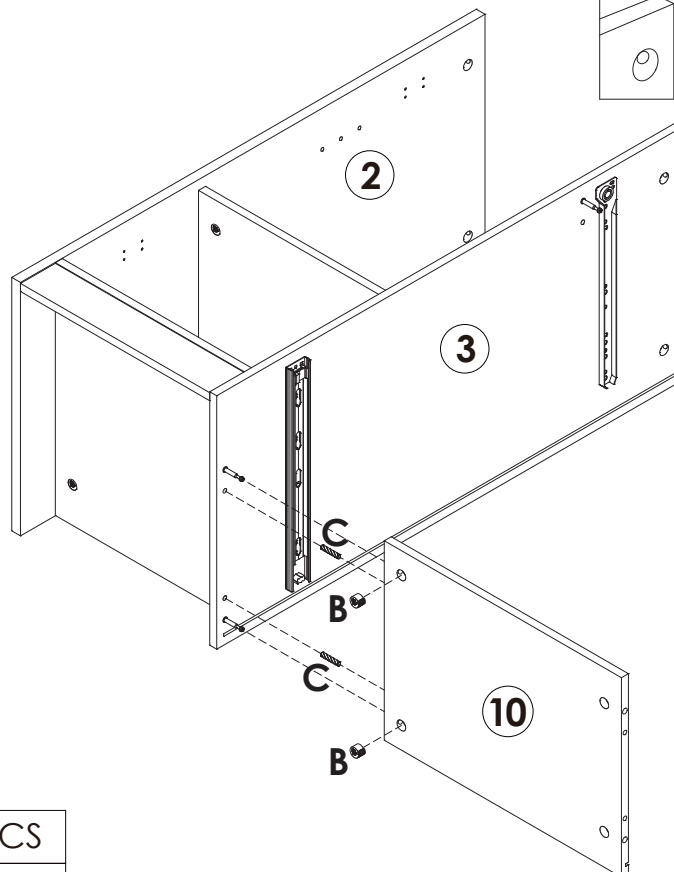


B x 4PCS



C x 6PCS

STEP 22

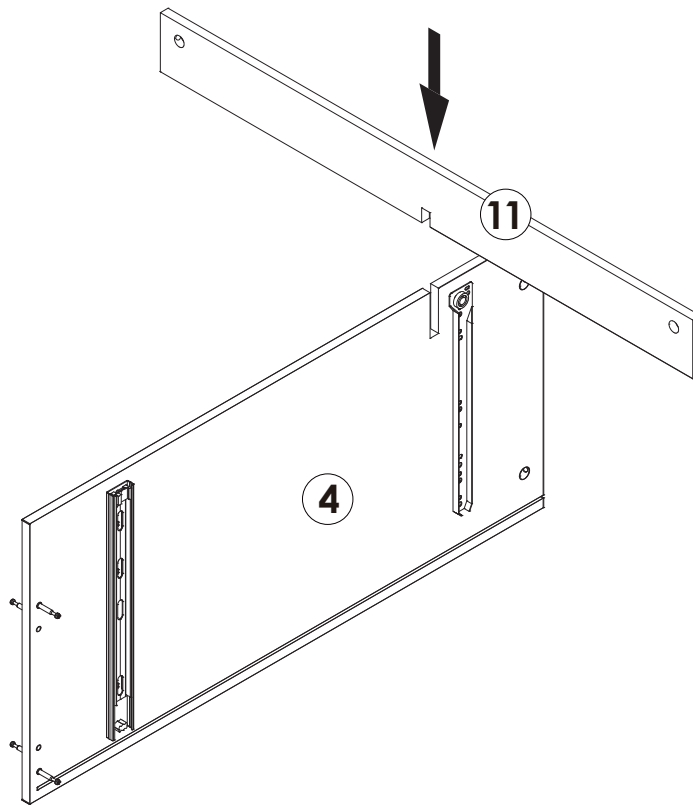


B x 2PCS

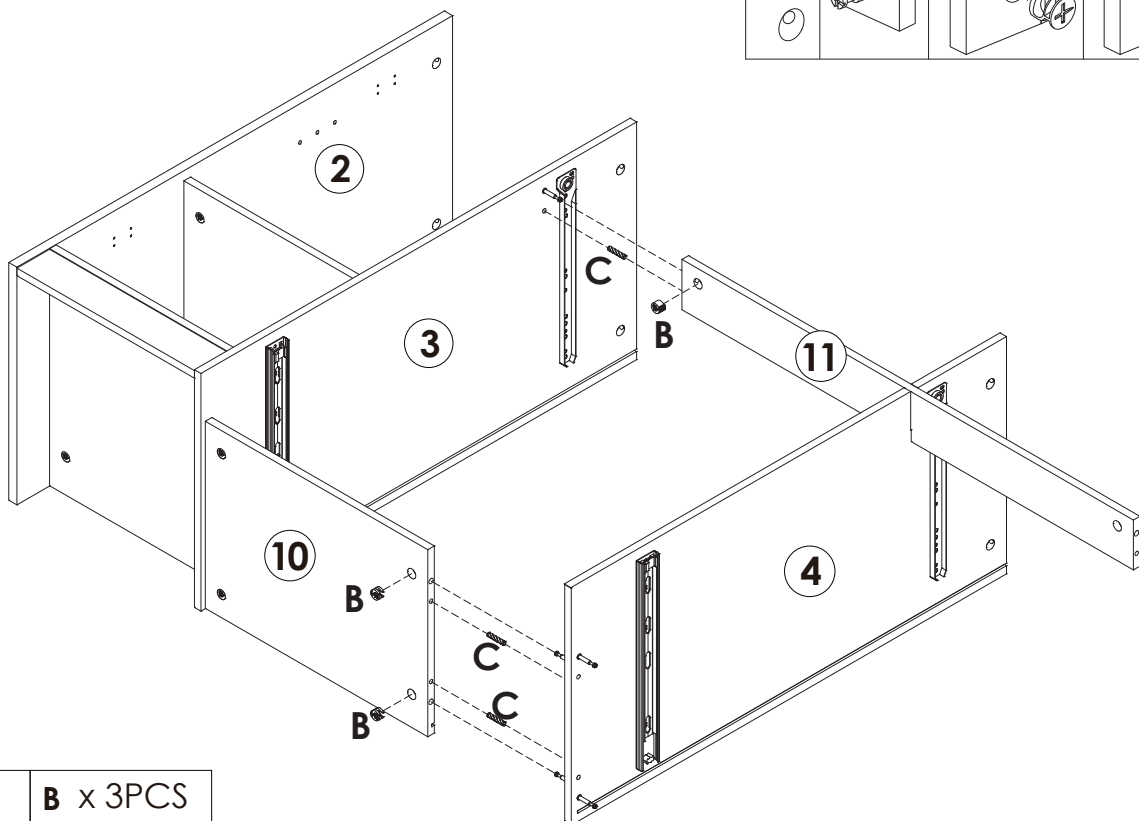
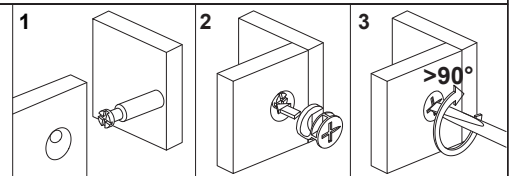



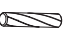
C x 2PCS

STEP 23

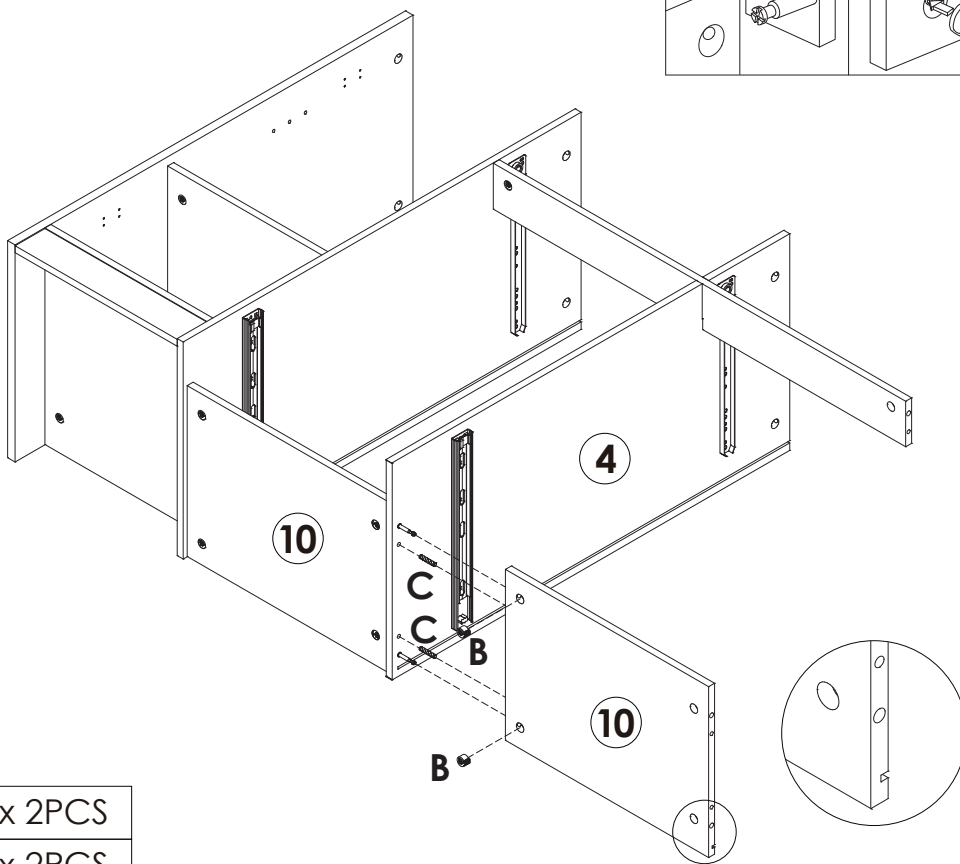
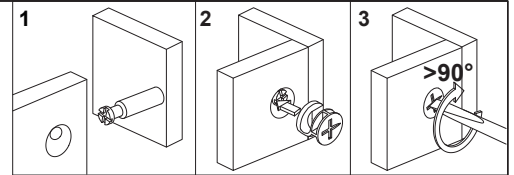




STEP 24



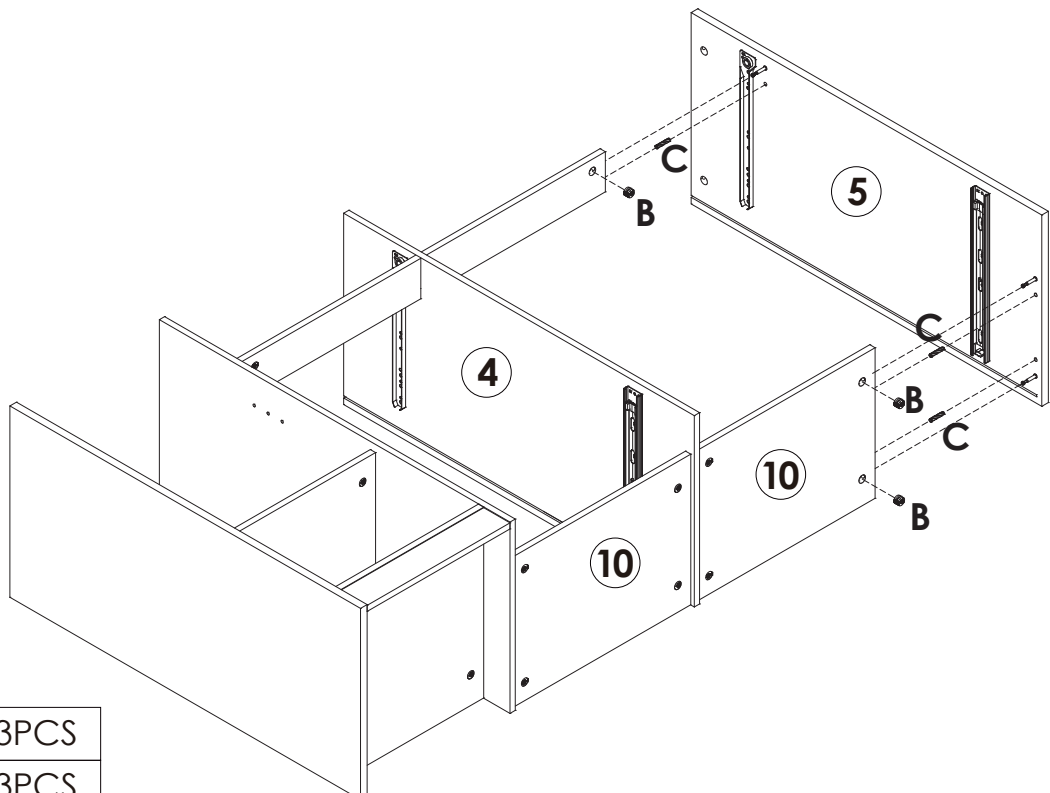
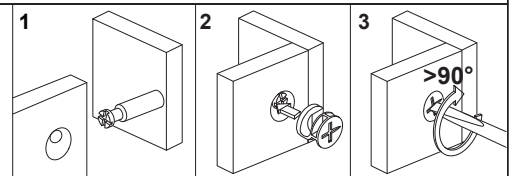
	B x 3PCS
	C x 3PCS


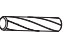
STEP 25



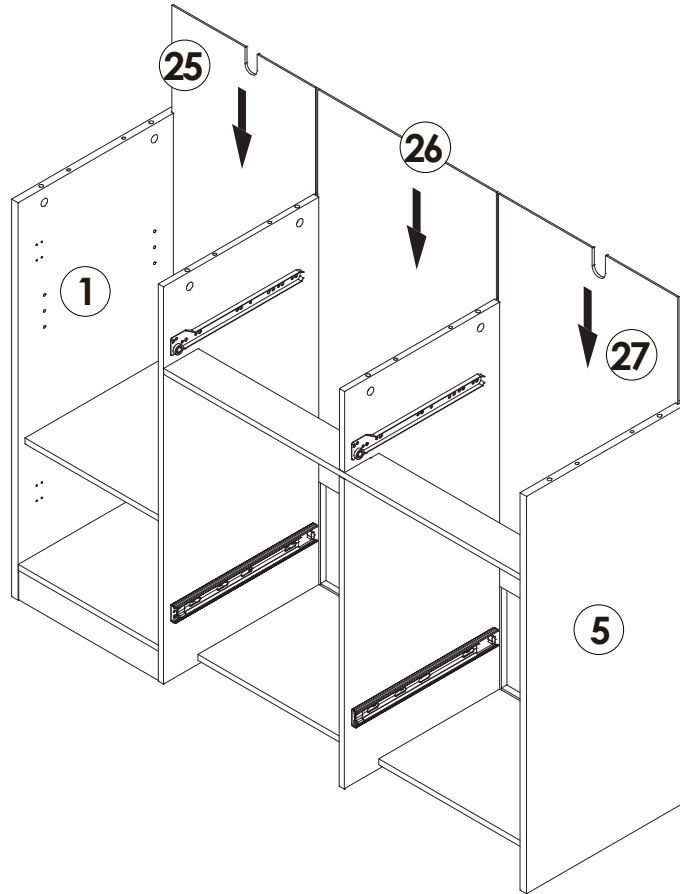
	B x 2PCS
	C x 2PCS

STEP 26

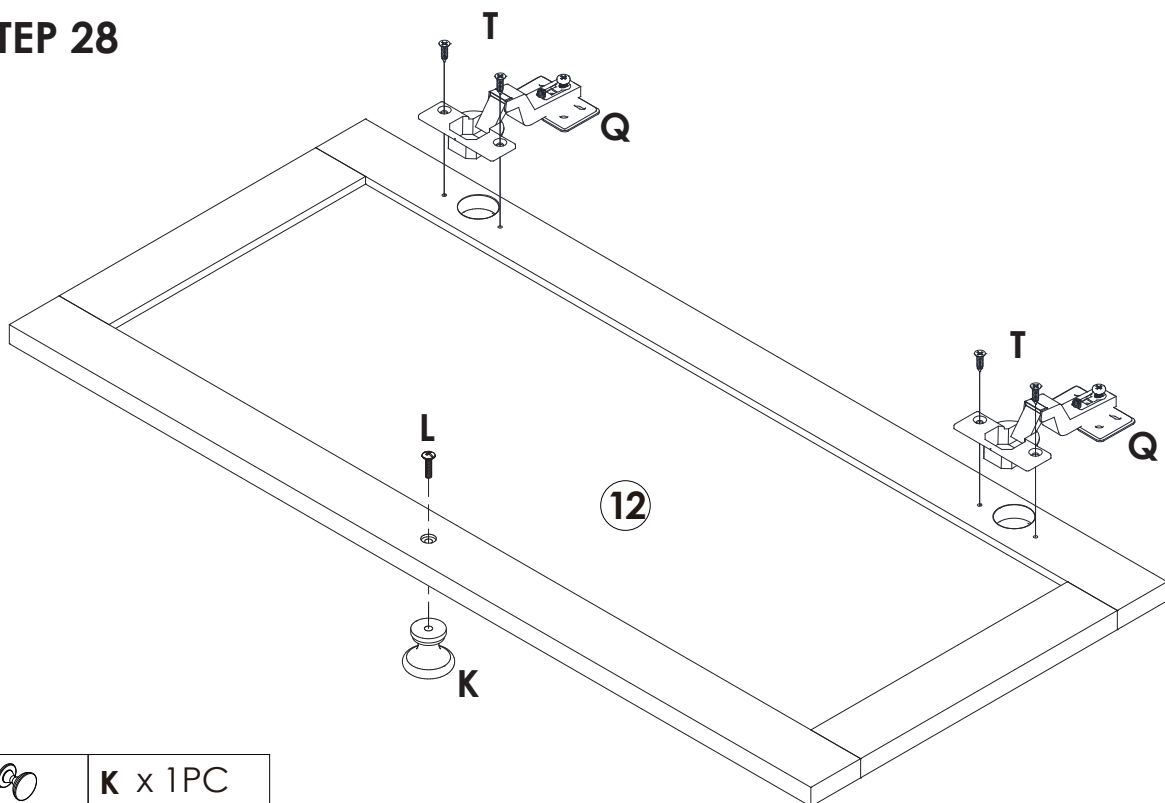






	B x 3PCS
	C x 3PCS

STEP 27

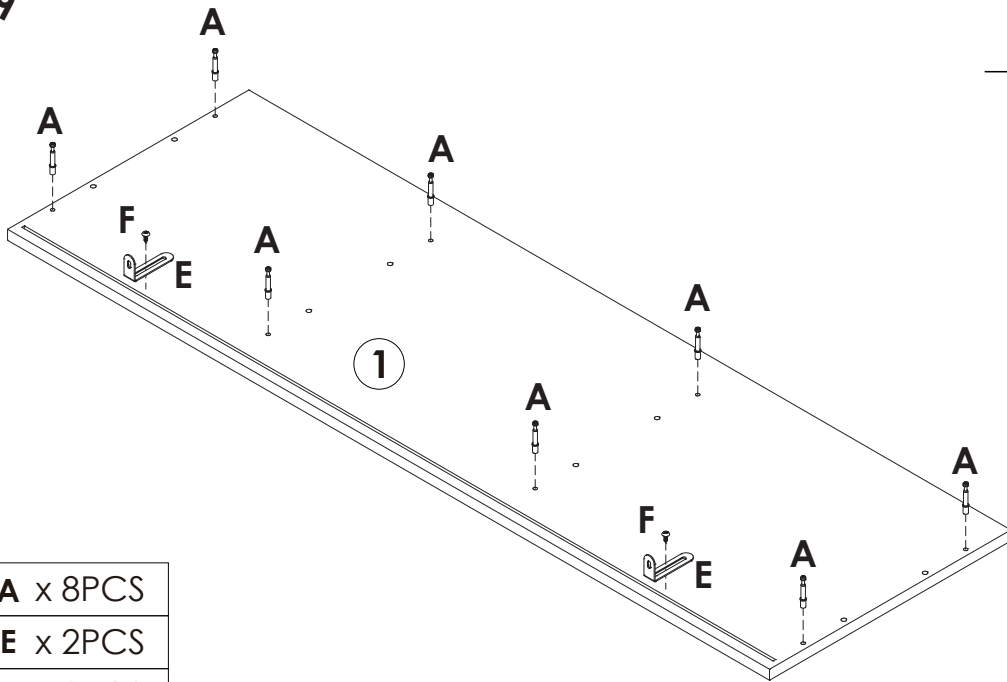





STEP 28



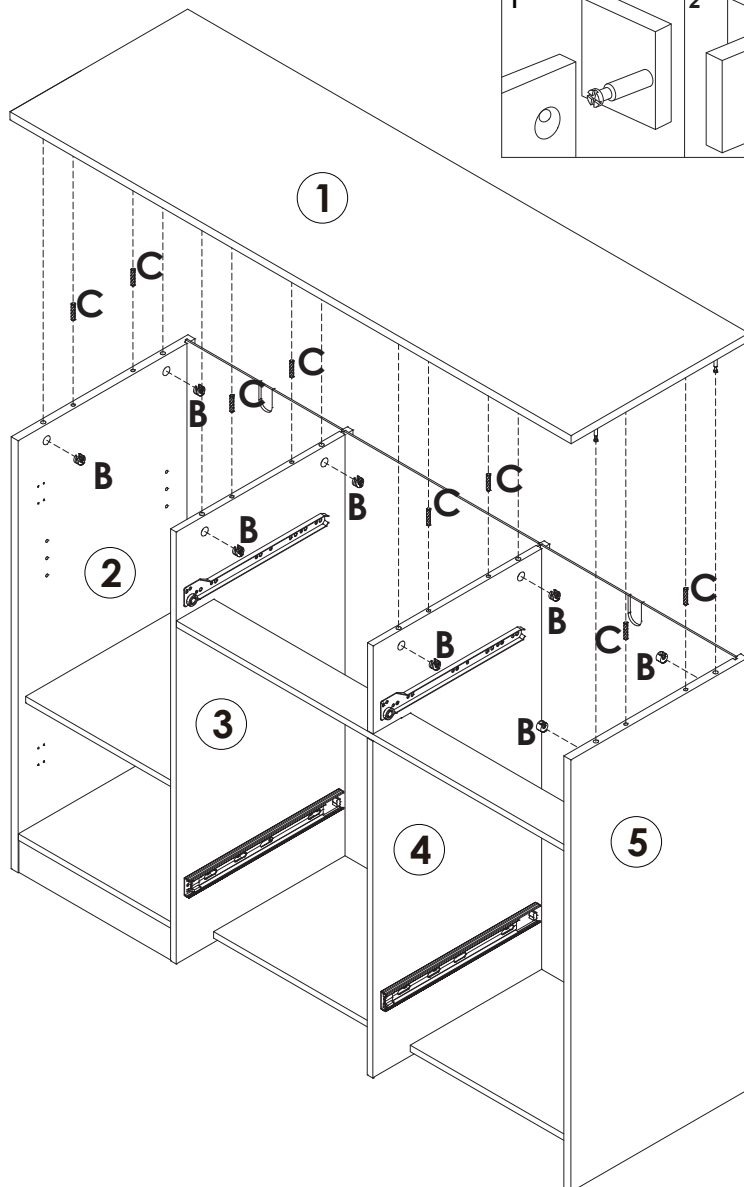
	K x 1PC
	L x 1PC
	Q x 2PCS
	T x 4PCS



STEP 29



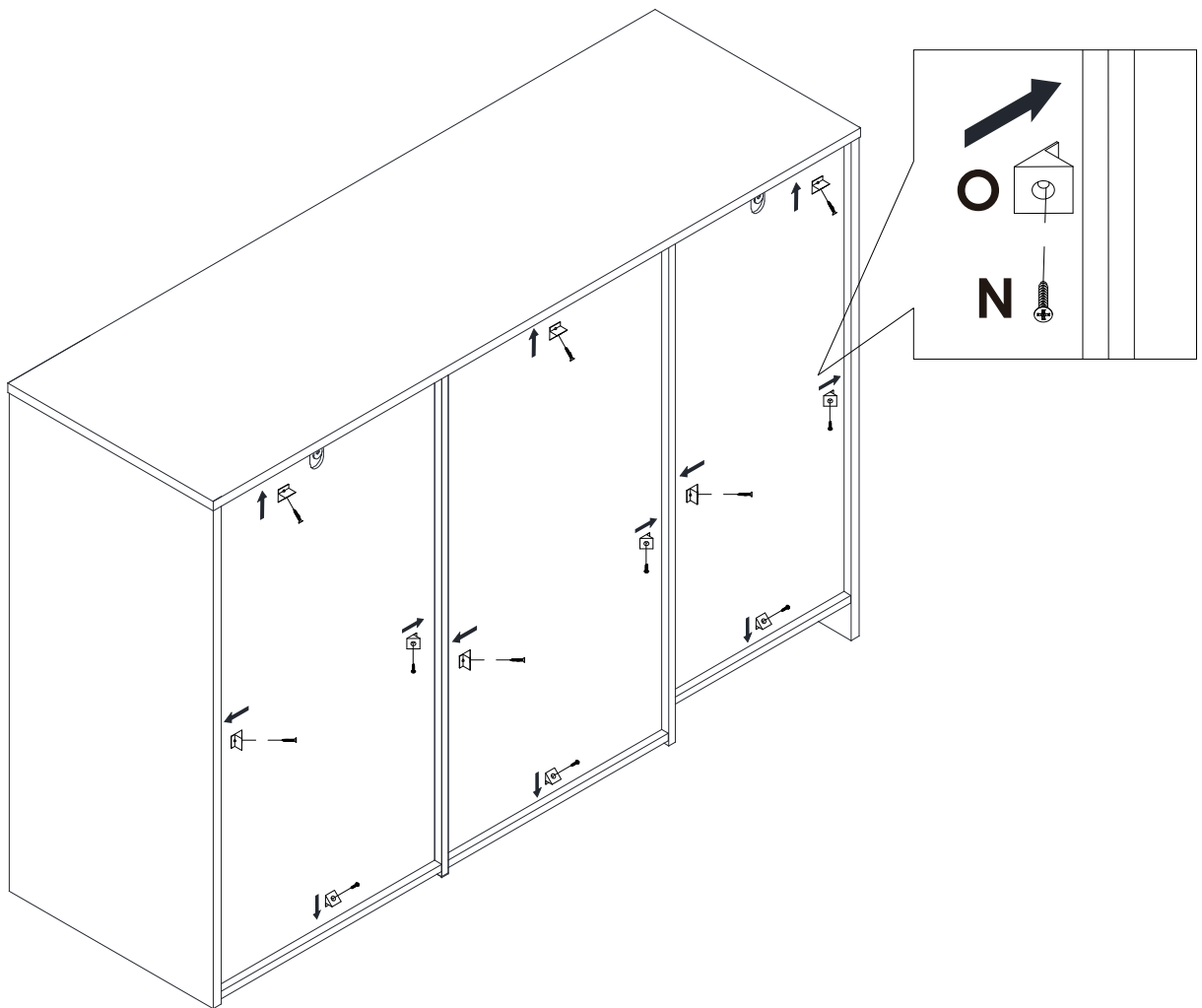
	A x 8PCS
	E x 2PCS
	F x 2PCS



STEP 30



	B x 8PCS
	C x 8PCS

STEP 31



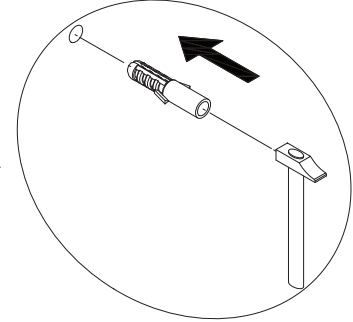
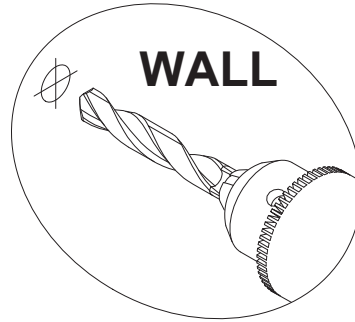
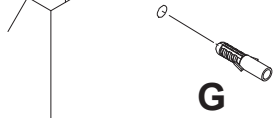
	N x 12PCS
	O x 12PCS

Assembly Steps(EN) / Montageschritte(DE)

STEP 32

Drill a hole on the wall at the required position for anti-falling device installation.

WALL

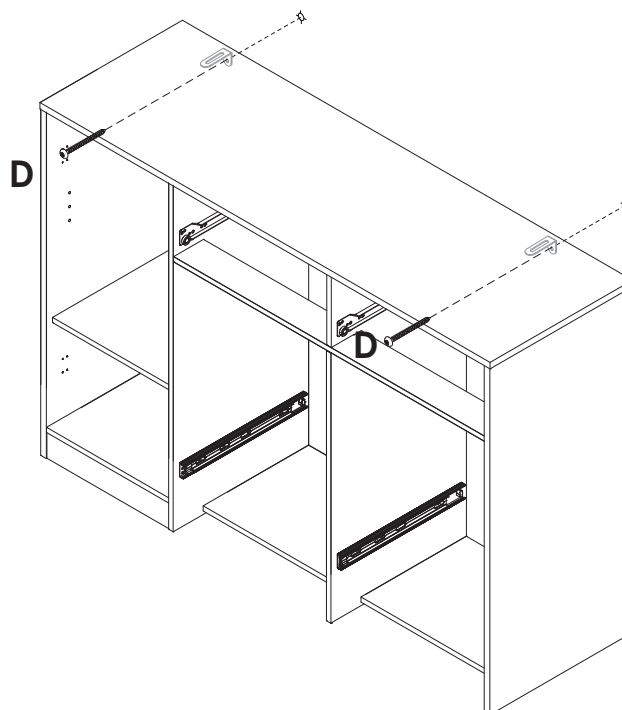


G x 2PCS

STEP 33

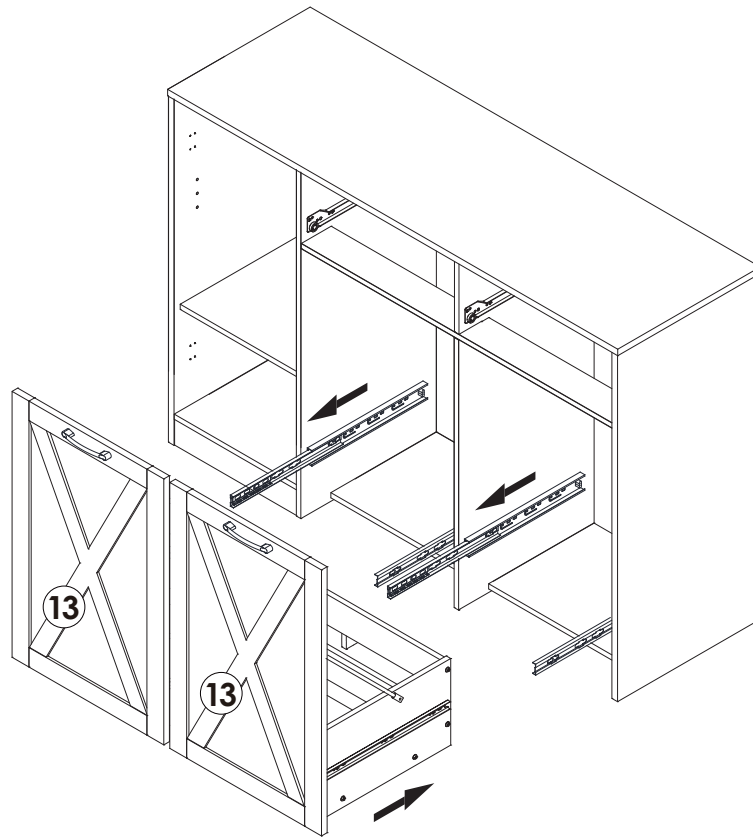
Move the cabinet to the required position, use the "D" long screw to fix the cabinet to the wall.

WALL



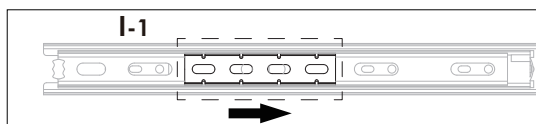
D x 2PCS

STEP 34

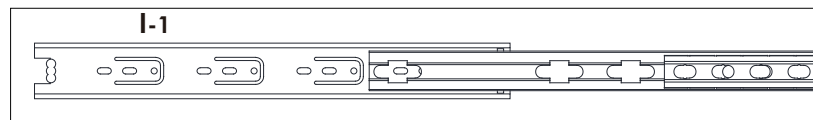


Move the slide rail "I-1" into right place by following the steps above before attaching the drawer to the product.

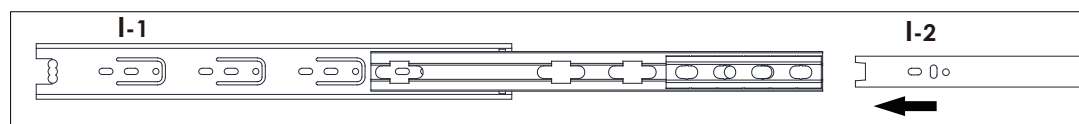
NO.1



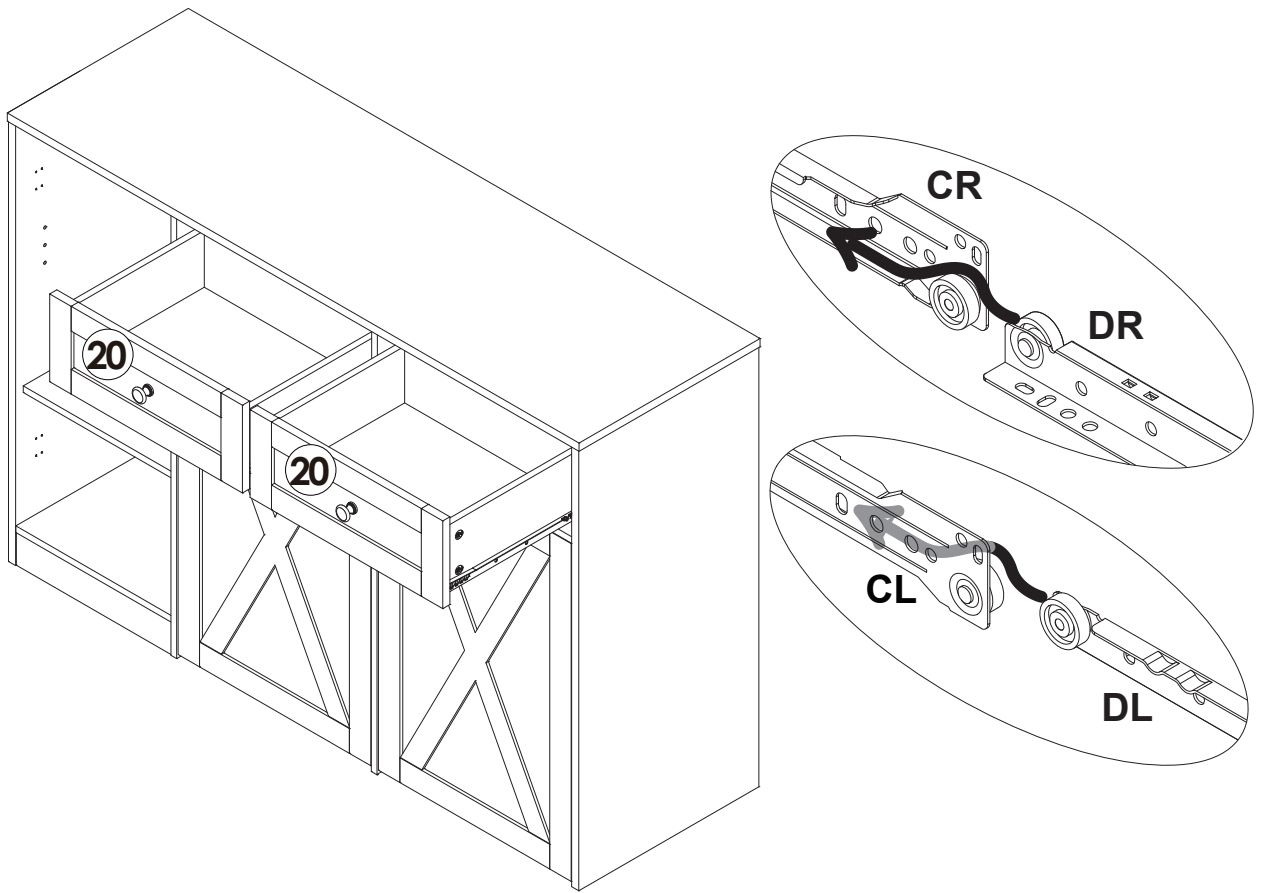
NO.2



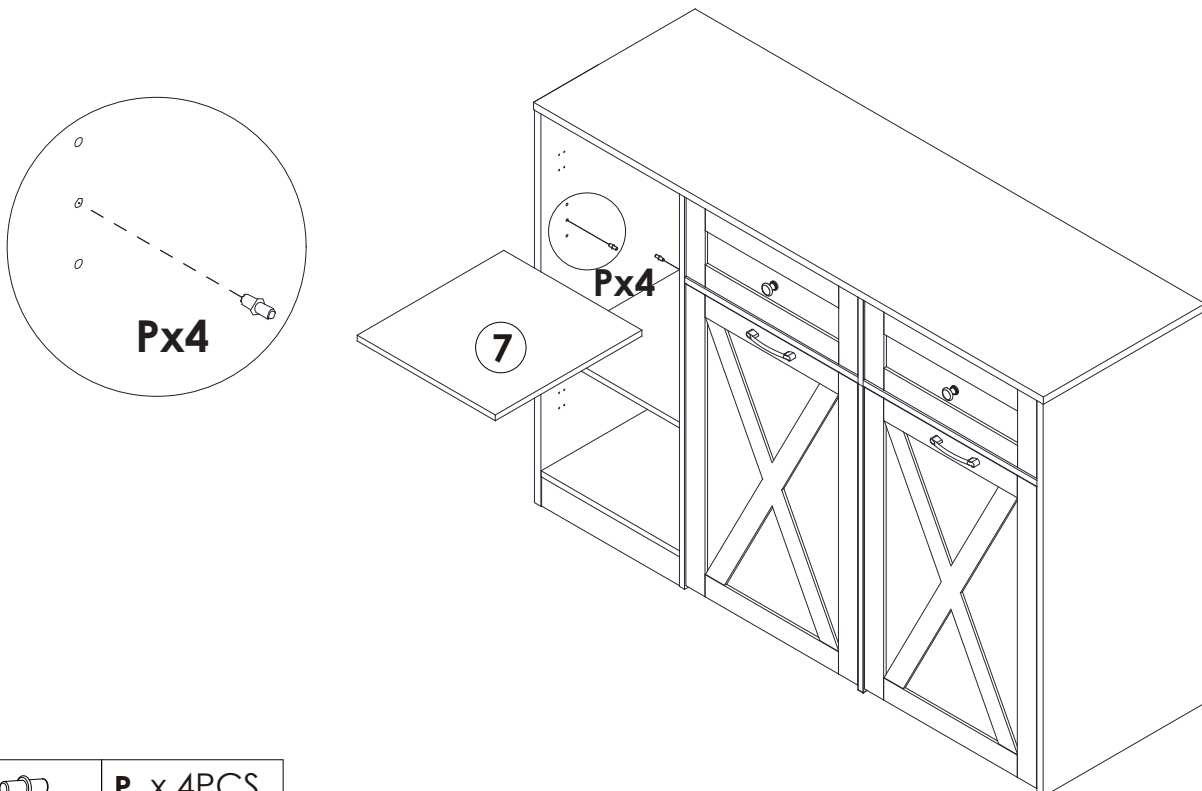
NO.3



STEP 35

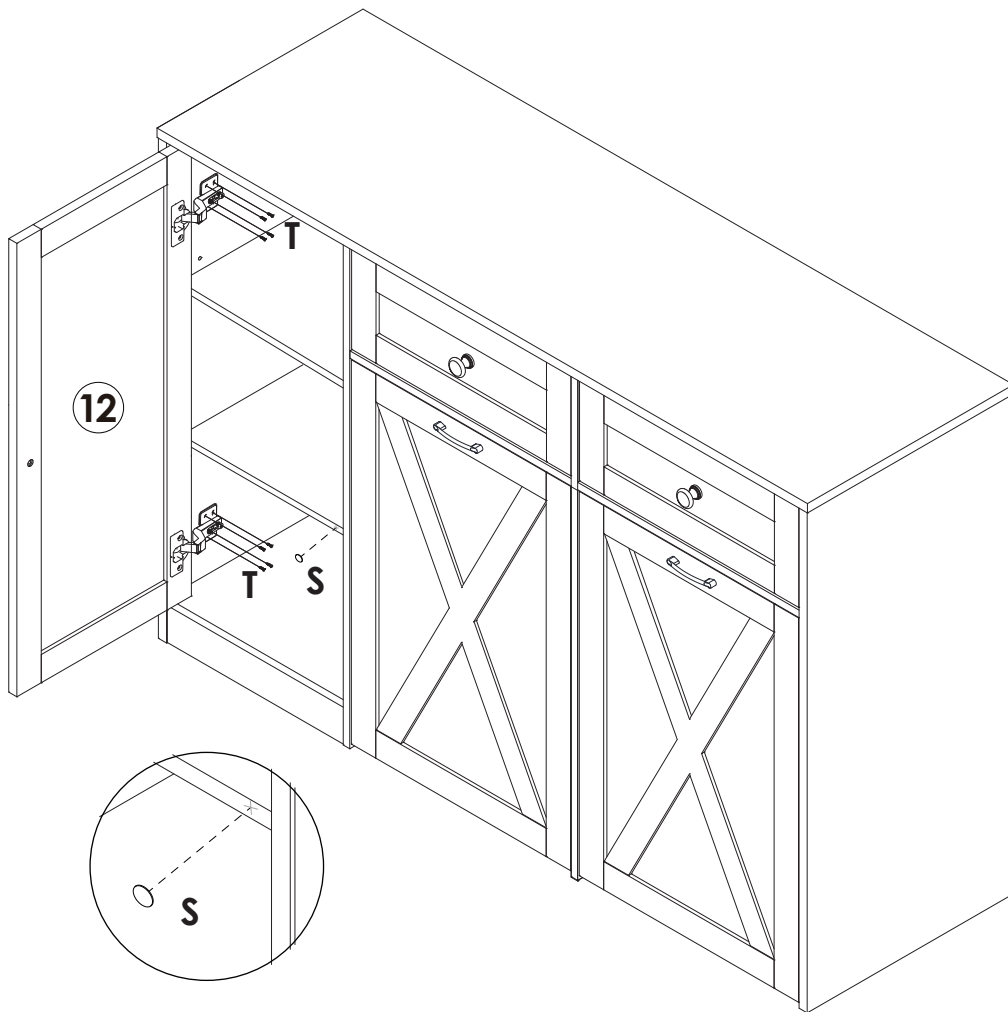




STEP 36



P x 4PCS

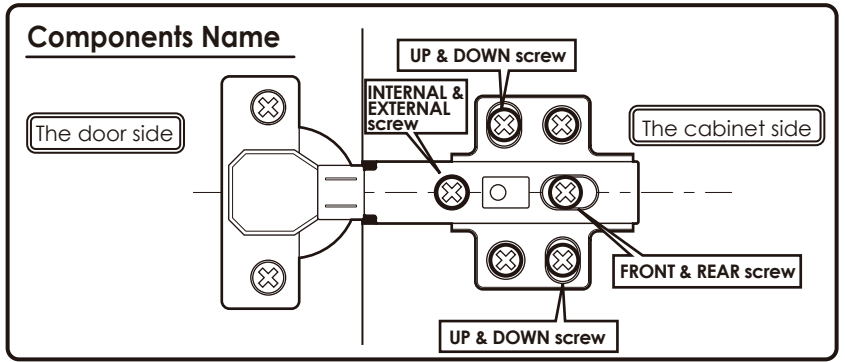
STEP 37



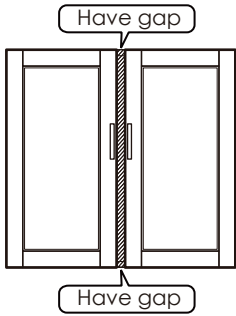
	S x 1PC
	T x 8PCS

The ways to adjust the door

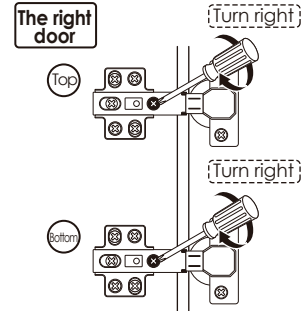
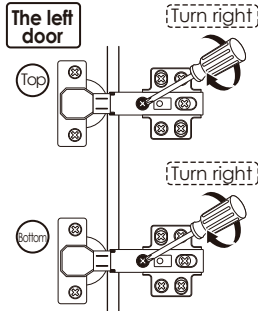
- Before adjusting the hinge, please check whether the cabinet is skewed.
- If the skew can not be repaired, please remove the anti-tipping device first, then adjust the cabinet to vertical position.
- Please adjust the hinge with the door open.
- Please operate it with more than 2 people, one person holds the door and the other one adjusts the screw.



Obvious gaps between doors or Doors don't look closed



- 1 Turn "internal & external screw" to the right can make the door approach inside. Please adjust the doors little by little.



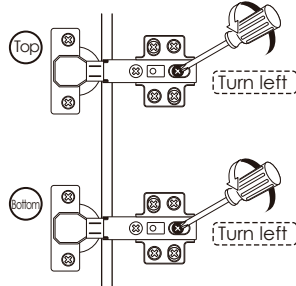
※ If the 2 doors are overlap, please turn the "internal & external screw" to the left.

When door is crooked



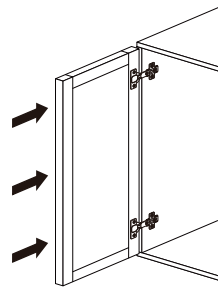
Please take the following steps to adjust first.

- 1 Rotate the "front and rear screws" to the left

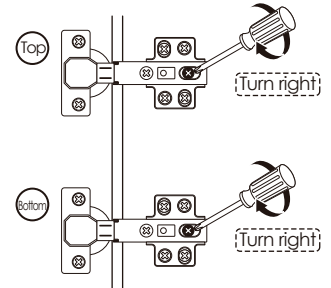


※ After adjusting the "front and rear screw", the door still does not change, please turn the "internal & external screw" to the right slightly.

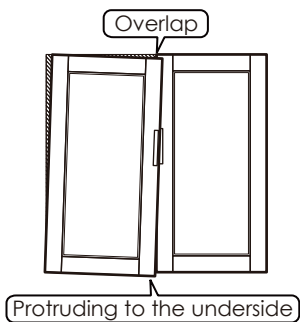
- 2 Push the door to the cabinet



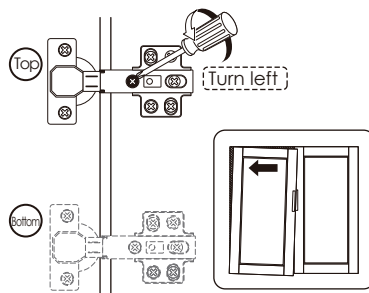
- 3 Rotate the "front and rear screws" to the right



When door is leaning



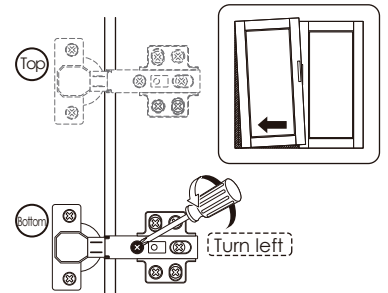
- 1 Turn "internal & external screw" to the left can make the top of the door tilted outward.



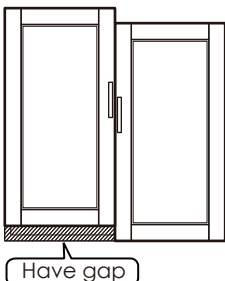
Protruding to the upside



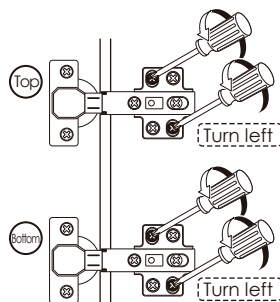
- 1 Turn "internal & external screw" to the left can make the bottom of the door tilted outward.



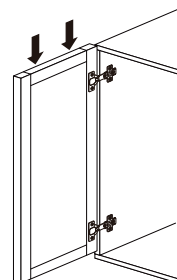
When the door is higher on top



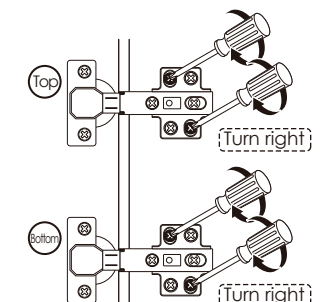
- 1 Turn "up & down screw" to the left



- 2 Lower the door's height so that 2 doors are of the same height.



- 3 Turn "up & down screw" to the right



※ If the door is lower on bottom, please lift up the left door slightly on step 2



WARNING



Children have died from furniture tipover. To reduce the risk of furniture tipover:

- **ALWAYS** install Anti-tip device provided.
- **NEVER** put a TV on this product.
- **NEVER** allow children to stand, climb or hang on any drawers, doors, or shelves.
- **NEVER** open more than one drawer at a time.
- Place heaviest items in the lowest drawers.



***This is a permanent label.
Do not remove!***