

NOTICE

- * Please make sure that you have all parts indicated and they are in good condition before you begin assembly of this item. Refer to part list and hardware list below for guidance.
- * This item should be assembled on a soft surface to prevent scratching the finish during assembly.
- * This item may require periodic tightening.
- * If you are having difficulty, our friendly Customer Care team is always here to help.

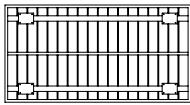

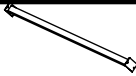



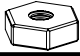

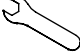
PREPARATION

- * Before beginning assembly of product, make sure all parts are present. Compare parts with package contents list and hardware contents list.
- * If any part is missing or damaged, do not attempt to assemble the product.
- * Estimated Assembly Time: 10 minutes.
- * Tools Required for Assembly (included): Allen Key

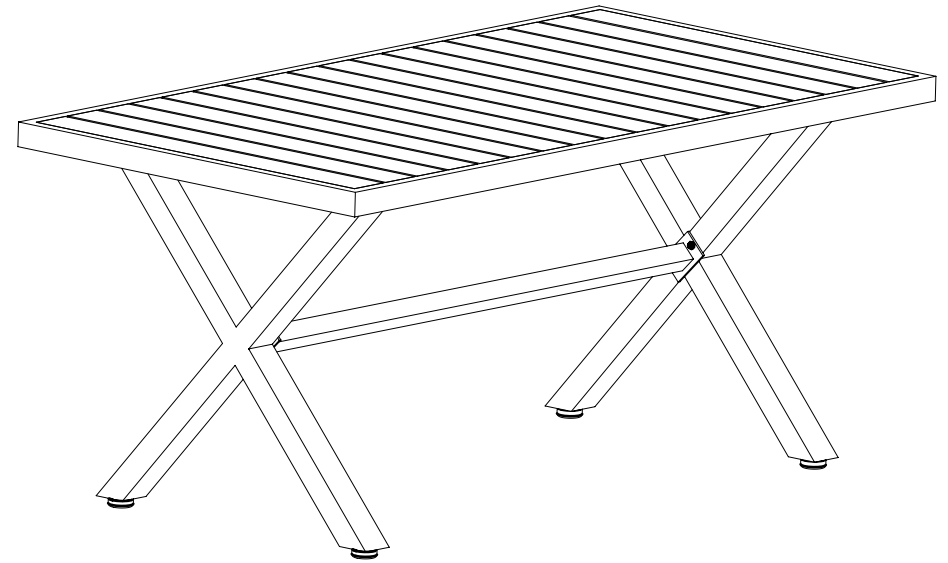
CARE AND MAINTENANCE

Dust with a dry cloth. Do not use abrasive cleaner. Use glass cleaner to clean surface of tabletop.

Part List and Hardware List

PIECE	DESCRIPTION	PICTURE	QUANTITY
A	Table Top		1
B	Leg		2
C	Connected Bar		1
HW1	Screw(M6*25mm)		20
HW2	Spring Washer(M6)		20
HW3	Flat Washer(M6)		20
HW4	Screw Nut(M6)		16
HW5	Allen Key(M5)		1
HW6	Wrench(M8)		1

Product Dimensions: 35.4"W x 67.7"D x 30"H



Weight Capacity: 25lbs

Warning: Do not stand on table

Warning: Do not over torque bolts

PREPARATION:

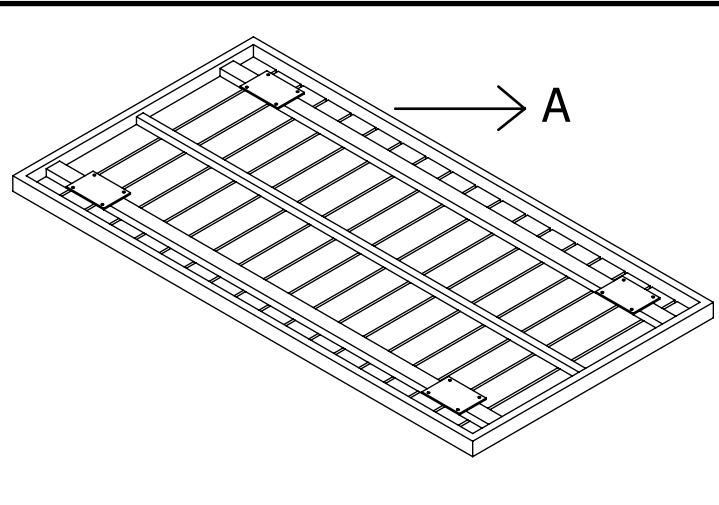
*Before beginning assembly of product, make sure all parts are present. Compare parts with package contents list and hardware contents list.

*If any part is missing or damaged, do not attempt to assemble the product.

*Estimated Assembly Time: 10 minutes.

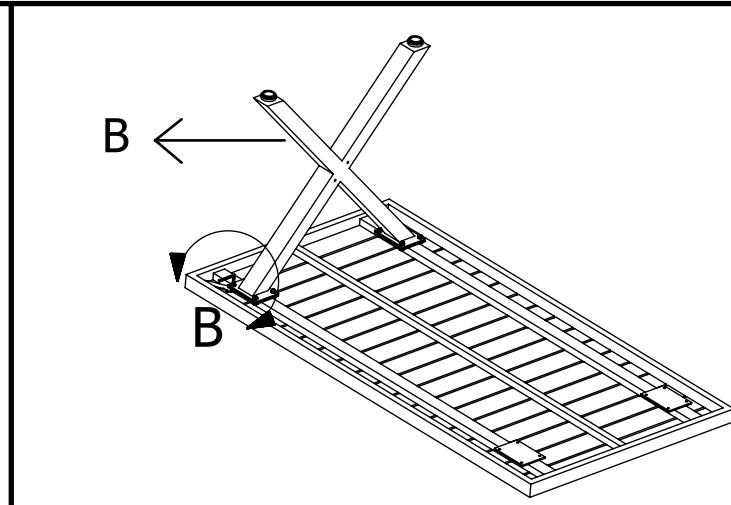
*Tools Required for Assembly (included): Allen Key

* If you are having difficulty,our friendly Customer Care team is always here to help



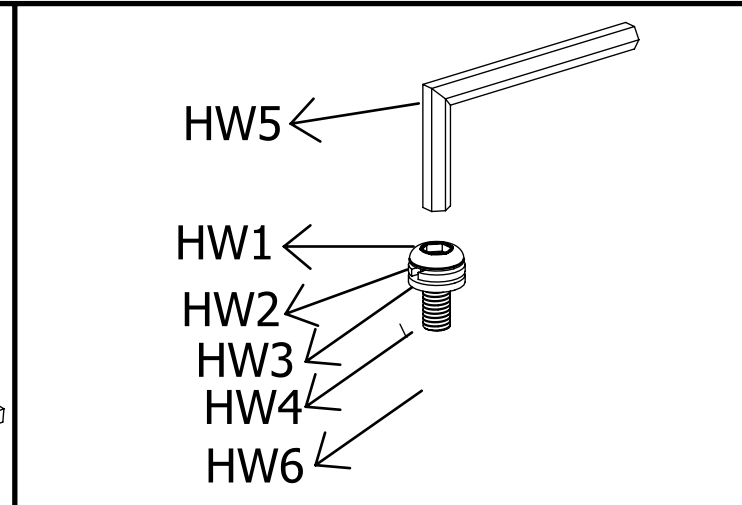
Step1

PLACE SEAT PART (A) FACE DOWN ON A SMOOTH SURFACE



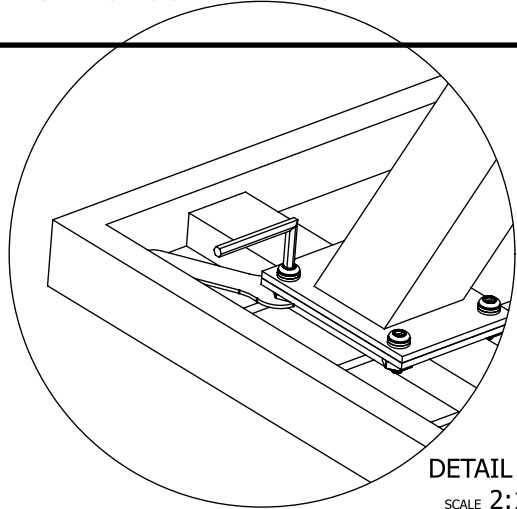
Step2

INSERT LEGS (B) AND ALIGN HOLE TO THREAD OPENING OF TOP (A)

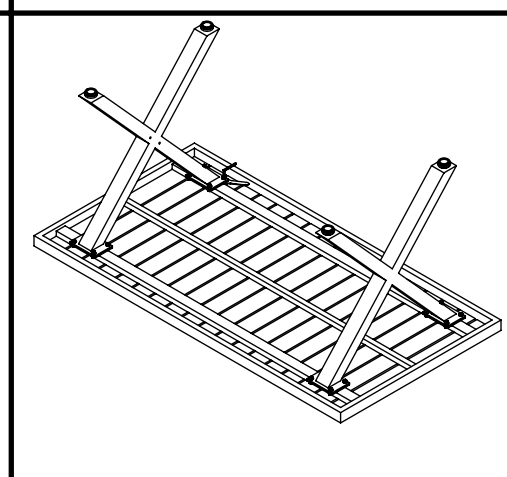


Step3

PUT THE WASHERS ON THE BOLT IN THE ORDER SHOWN IN THE PICTURE

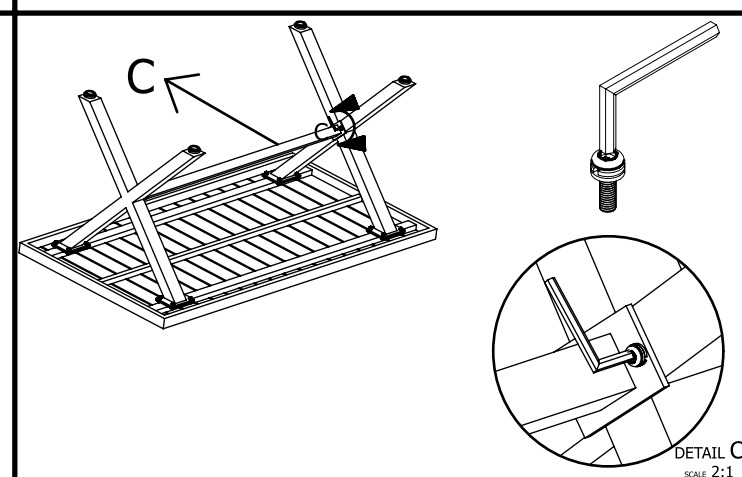


DETAIL B
SCALE 2:1



Step5

*REPEAT STEP(2-4) TO INSTALL ANOTHER LEG



DETAIL C
SCALE 2:1

Step4

USE SCREW (HW1) AND SECURE BOLTS(HW5)&WRENCH (HW6)TIGHTLY BUT DON'T TIGHTEN COMPLETELY

Step6

*FIX CONNECTED BAR (C) TO LEGS,USE HARWARES TIGHTLY.
*AFTER FINISHED SIX STEPS,FULLY TIGHTEN ALL THE SCREWS. THEN TURN OVER THE TABLE.PLACE ON THE EVEN FLOOR.