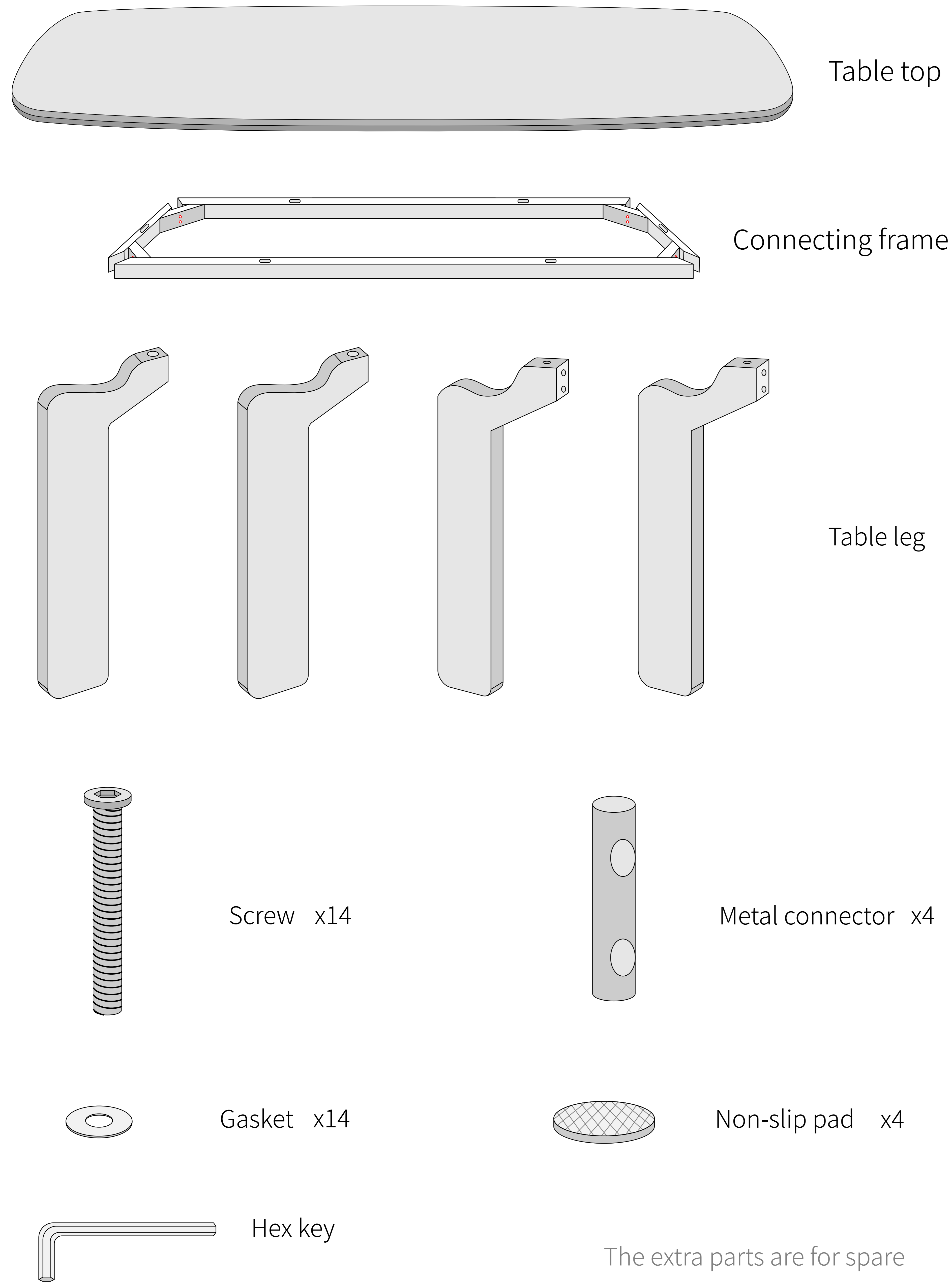


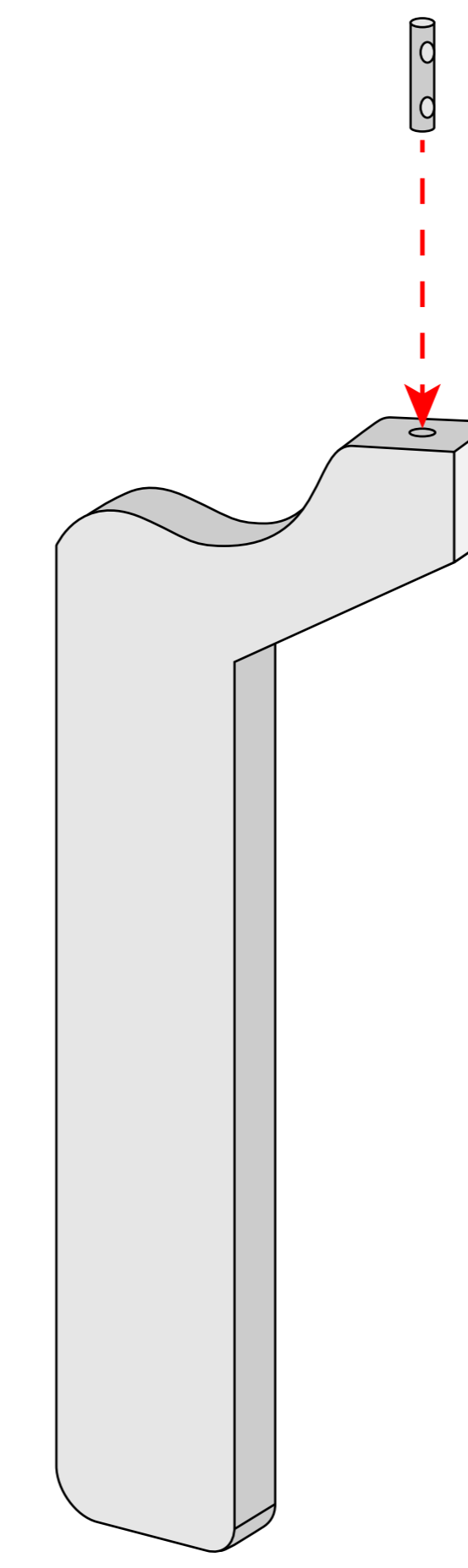
INSTALLATION INSTRUCTIONS

PARTS LIST



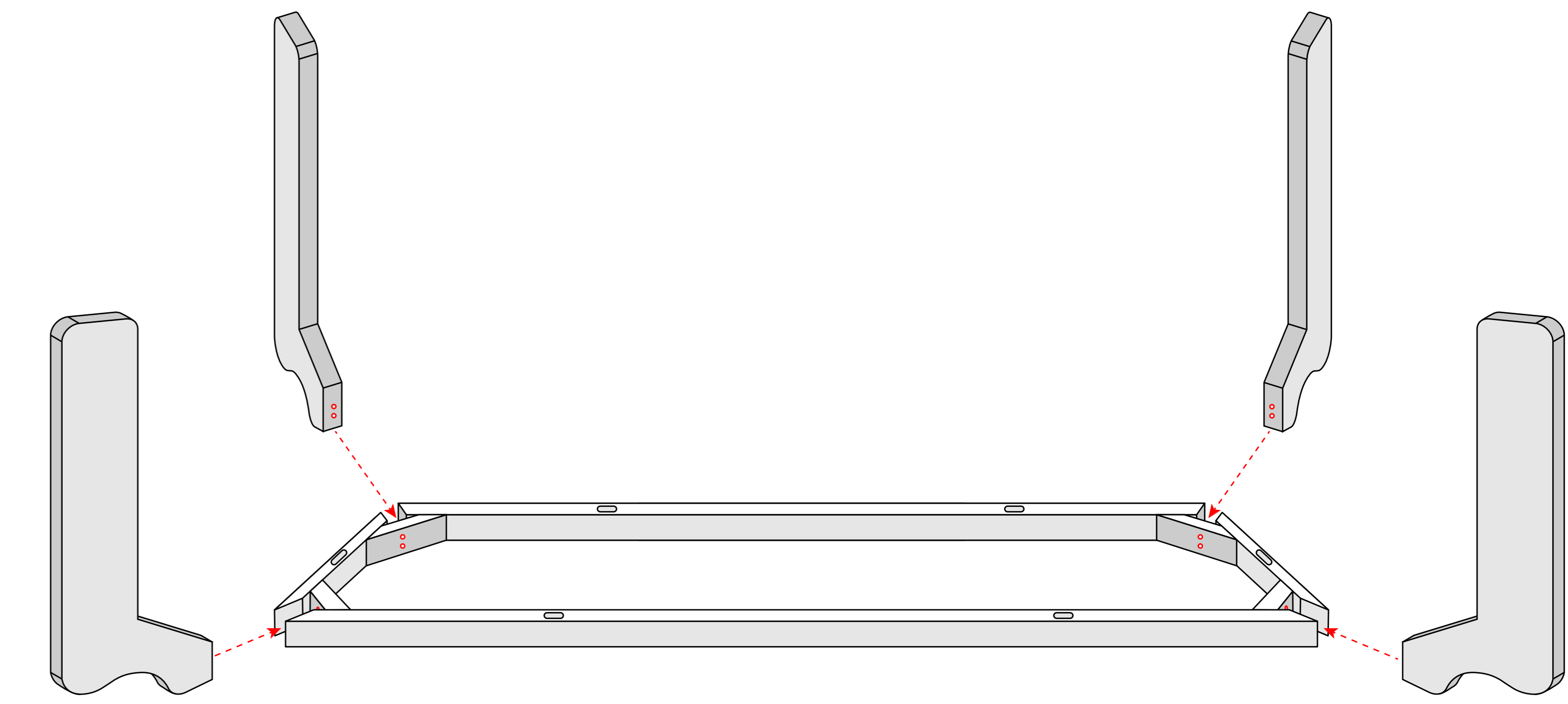
STEP 1

Insert the Metal connector into the top hole of each table leg



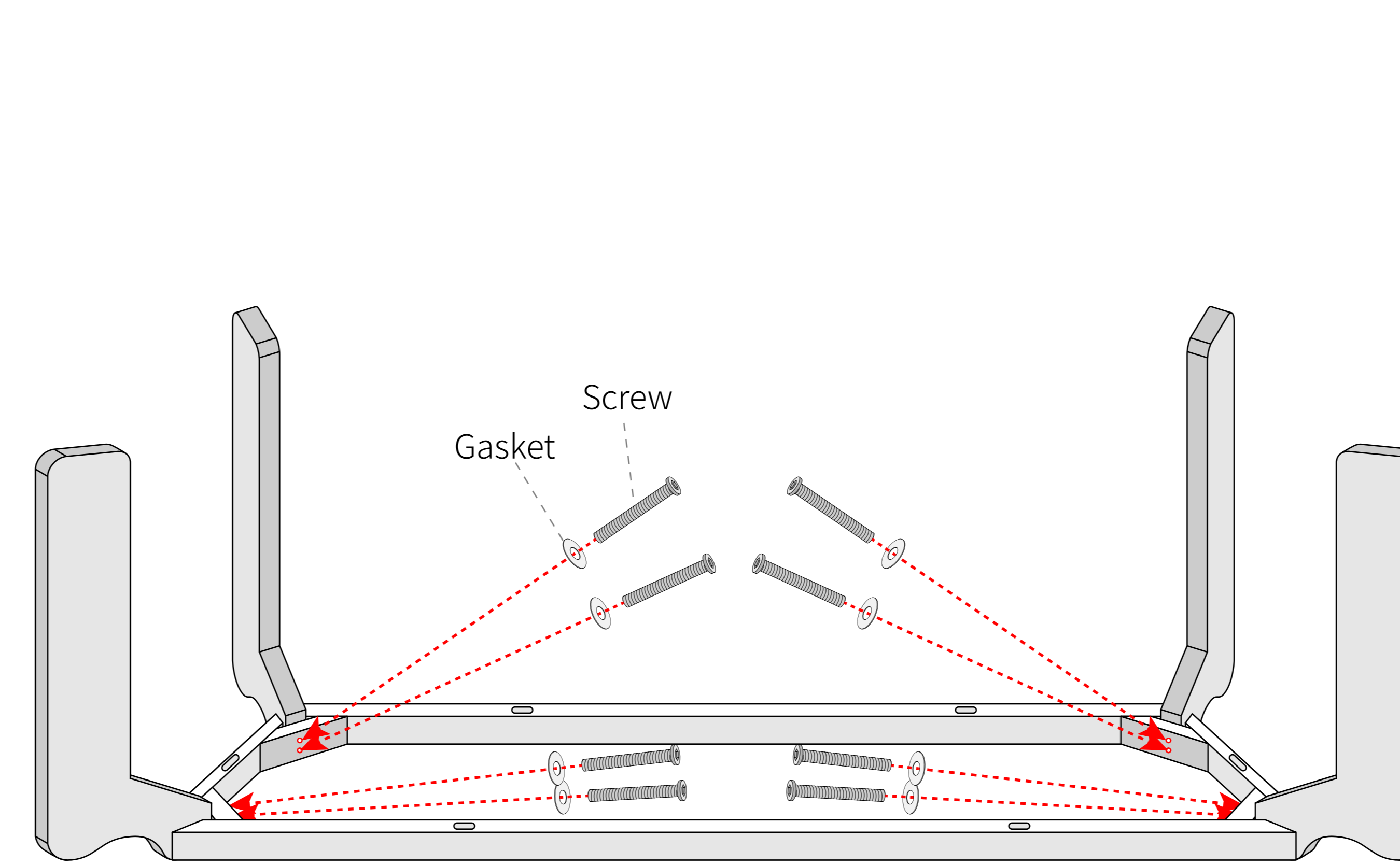
STEP 2

Place the "Connecting frame" and "table legs" with the bottom facing up. Align the table legs with the holes and install them in the frame.



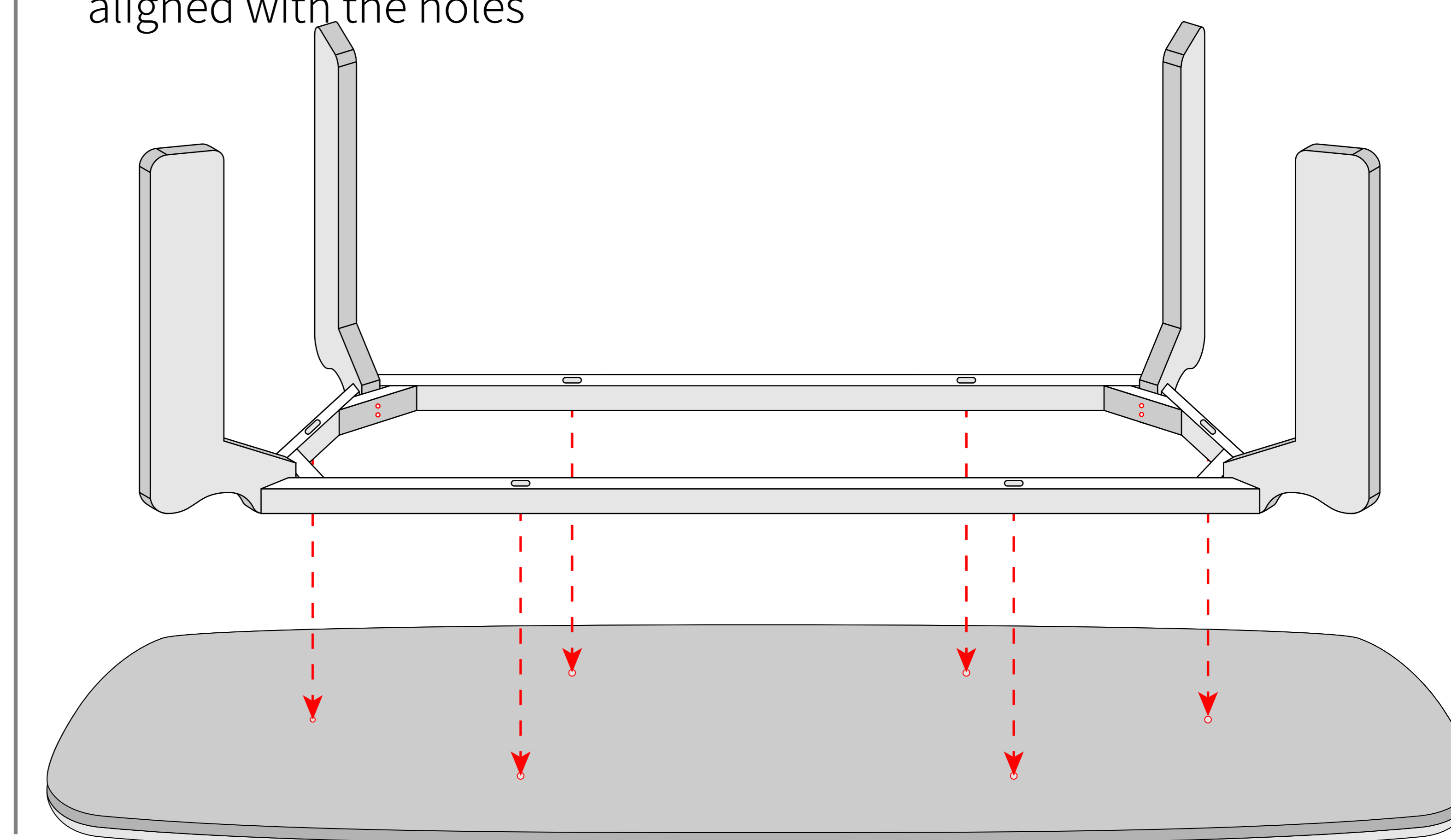
STEP 3

Secure the "table legs" with screws and gasket



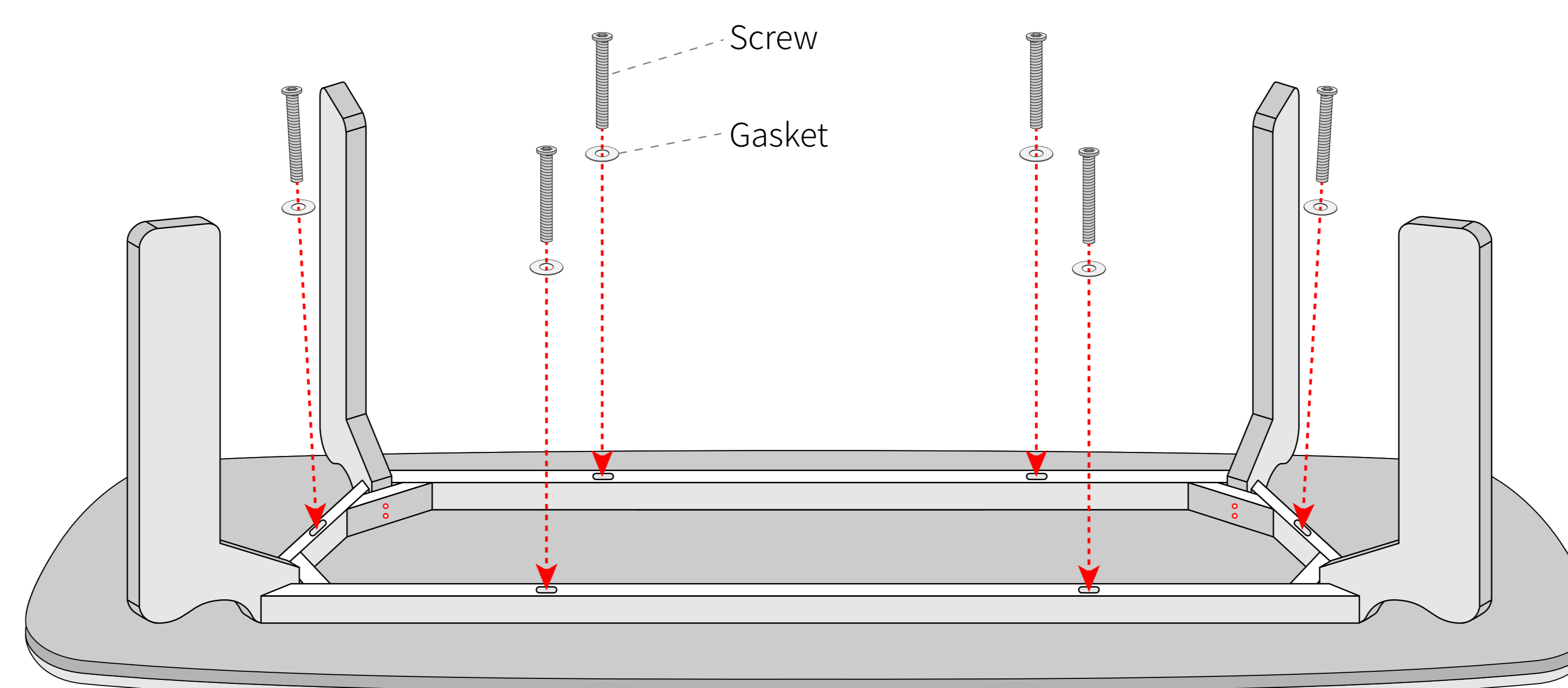
STEP 4

Lay the "table top" flat with its back facing up. Place the table legs and connecting frame on the "table top", aligned with the holes.



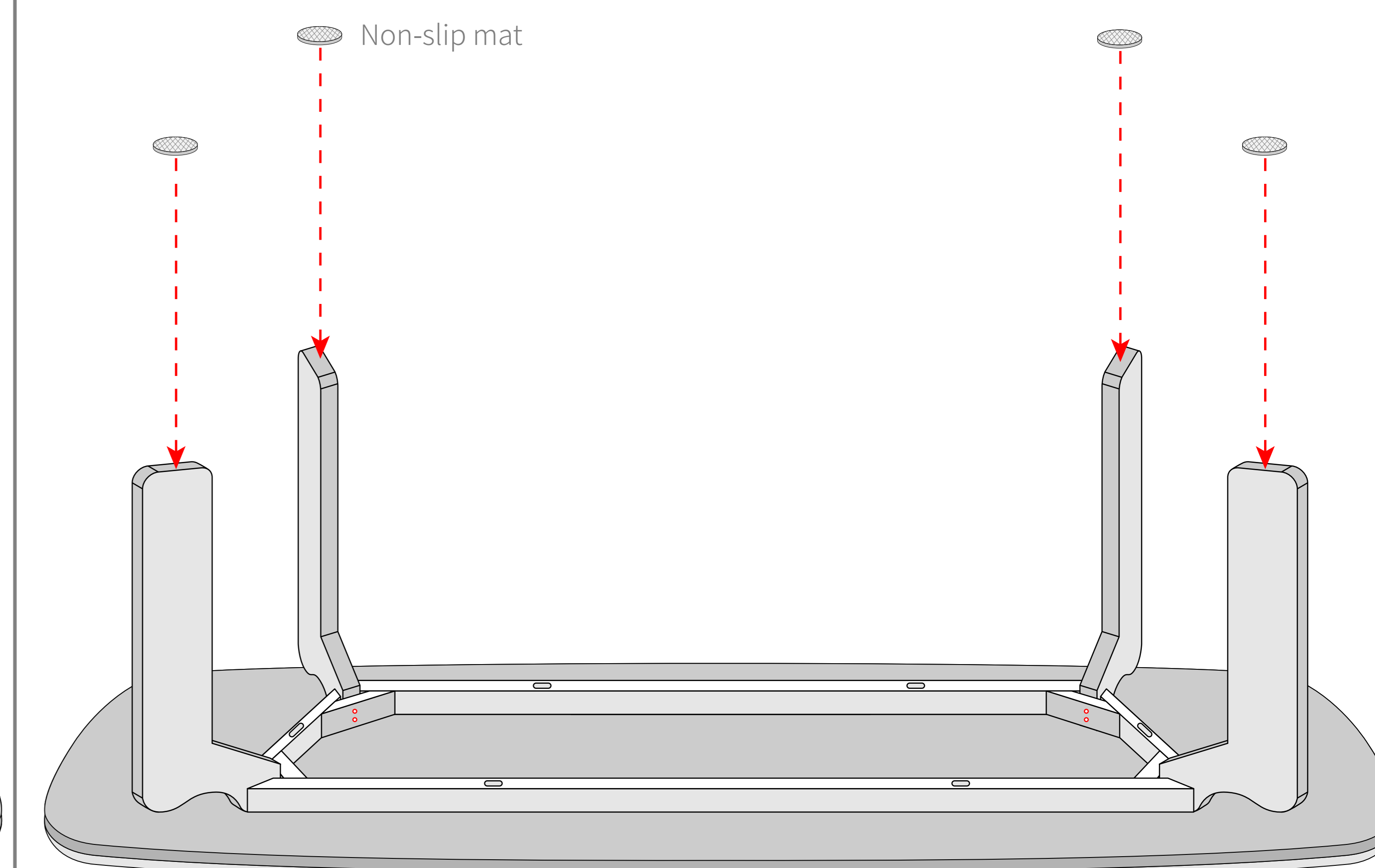
STEP 5

Secure on the connecting frame with screws and gasket



STEP 6

Install non-slip pads on the bottom of each table leg



MARBLE CLEANING. MAINTENANCE. PRECAUTIONS

· REGULAR CLEANING:

The marble should be cleaned with special cleaning agents to avoid damaging the surface structure. In general, a neutral cleaner, such as alcohol or warm water, should be used and then wiped with a clean cloth to maximize the cleaning of the surface.

· DECONTAMINATION:

To remove dirt on the marble, you can use a one-time wet, and then rinse it off with water. If there is oil, you can use dish soap, but be careful not to use too much, so as not to break the internal structure of the marble.

· MAINTENANCE:

The marble should be regularly maintained with paraffin wax to increase the surface light, and to effectively protect the surface from pollution erosion. In addition, it is also important to polish the marble regularly to maintain the finish and water resistance.

· NOTE:

When cleaning, note: do not use detergent containing acid components, do not use metal or other hard objects to clean the marble, so as not to wear the surface.

INSTALLATION COMPLETE

