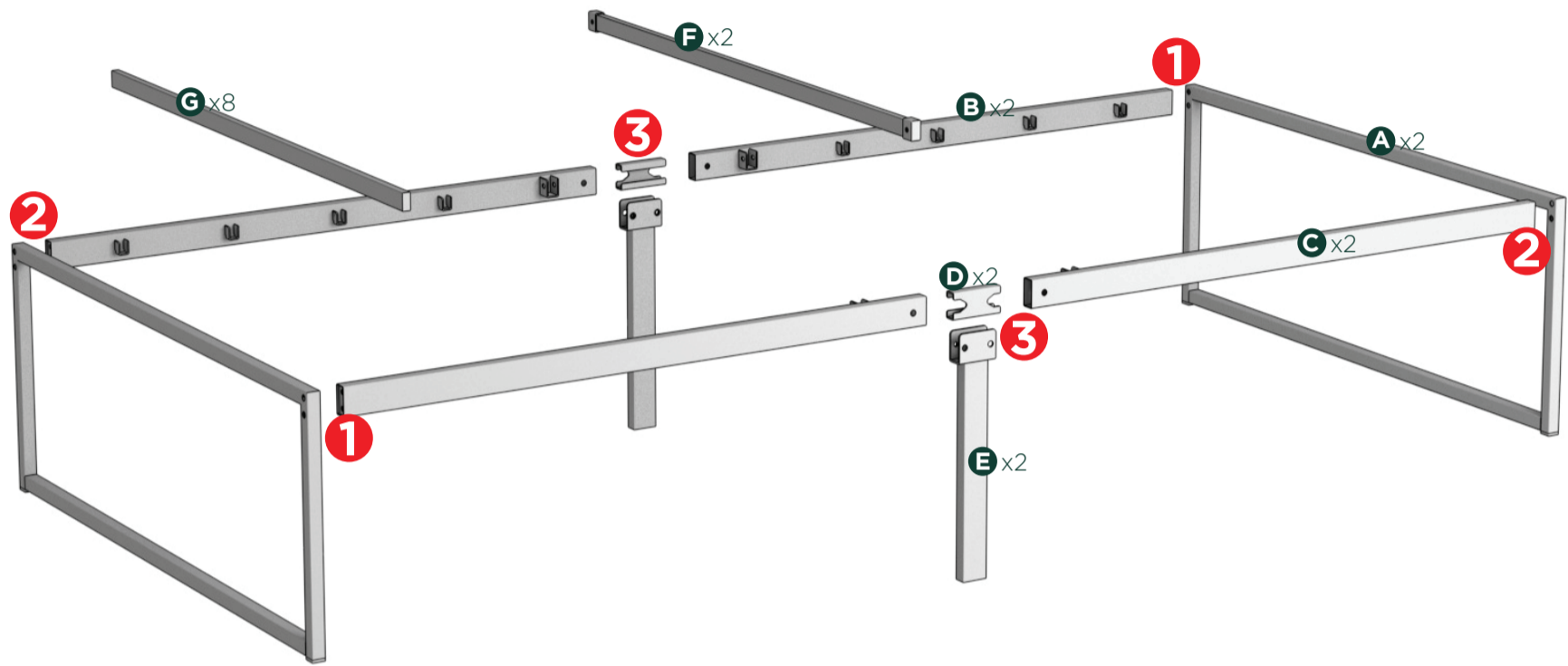
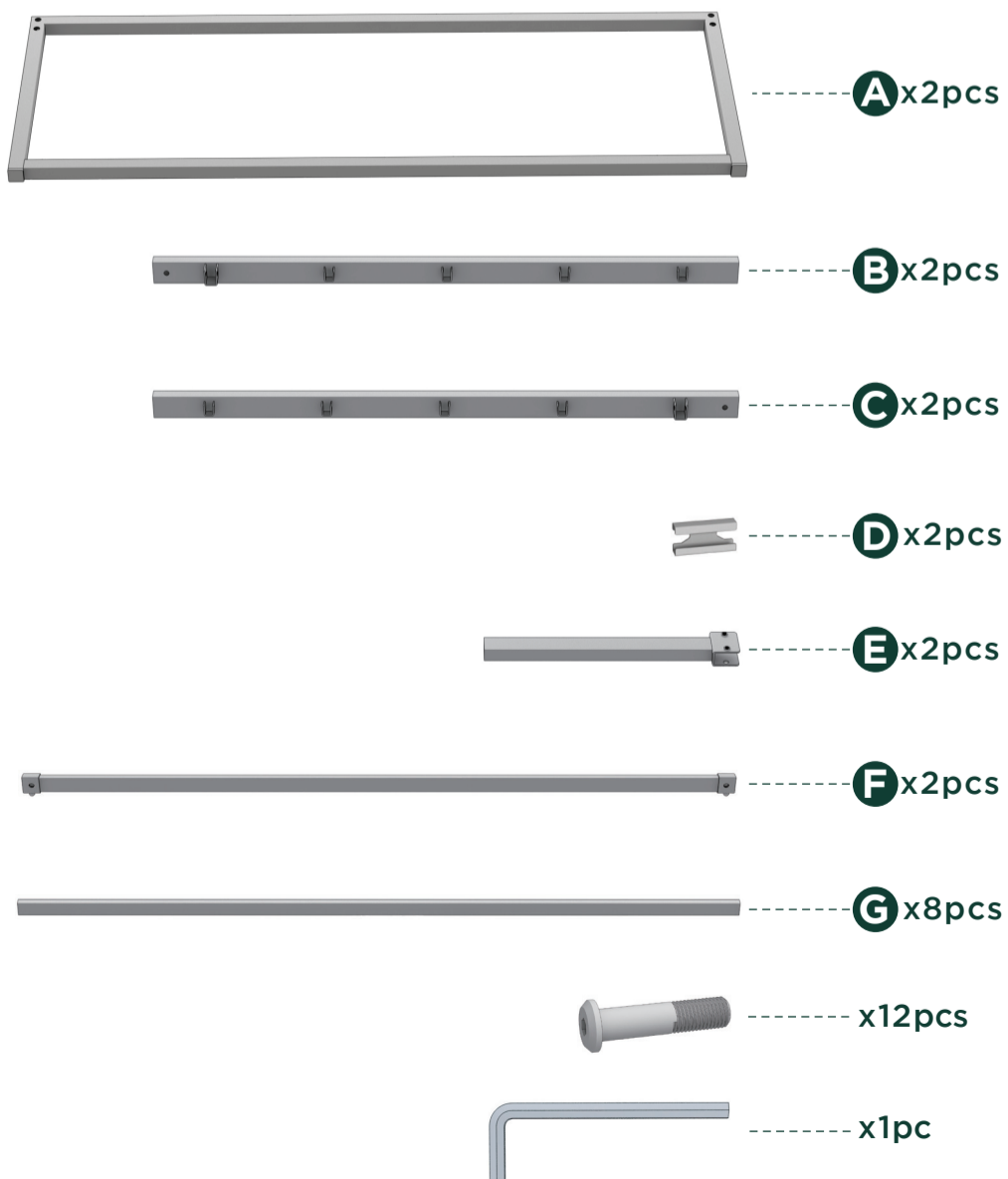


Easy as 1-2-3 Assembly Instruction

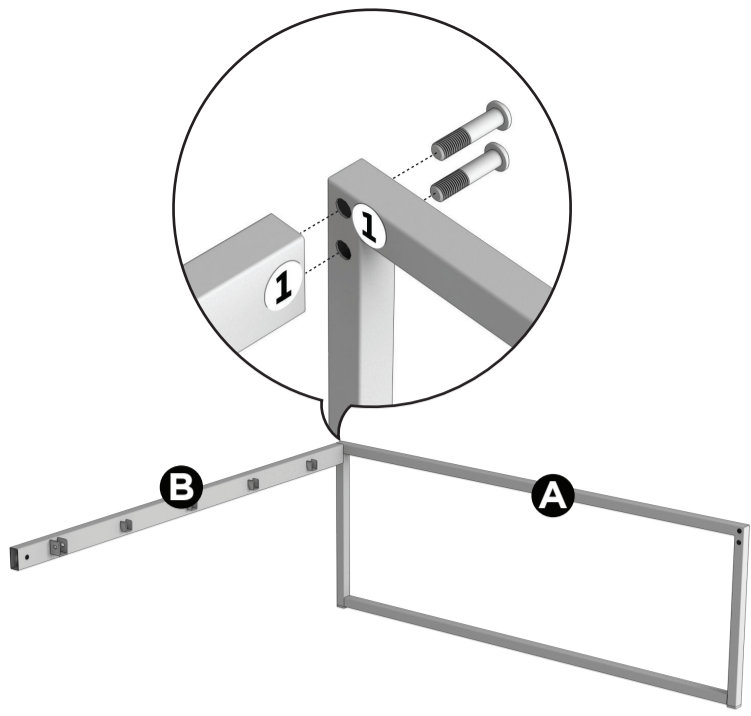
Numbers must Match for Secure Assembly



Components

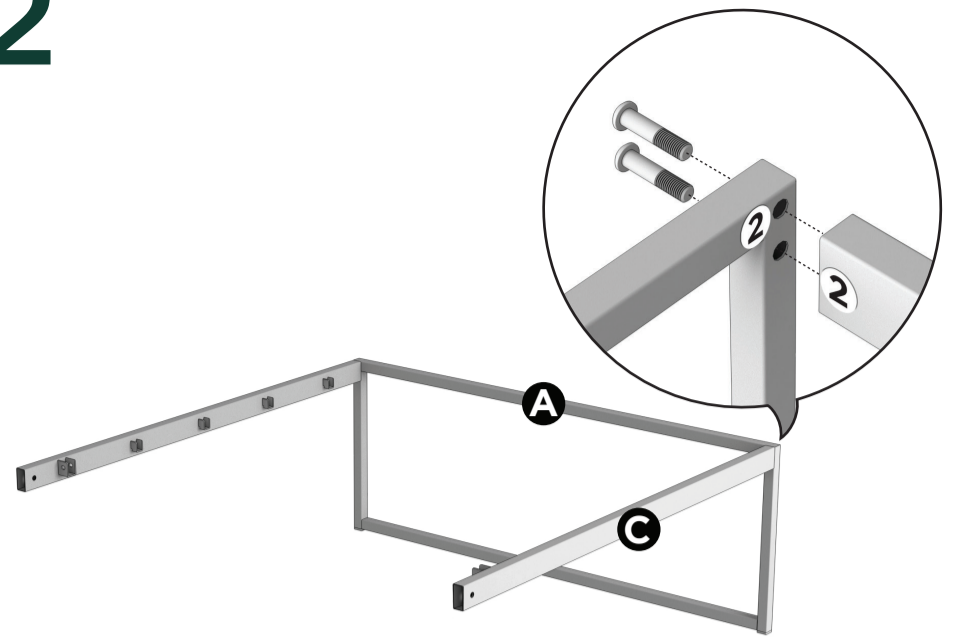


1



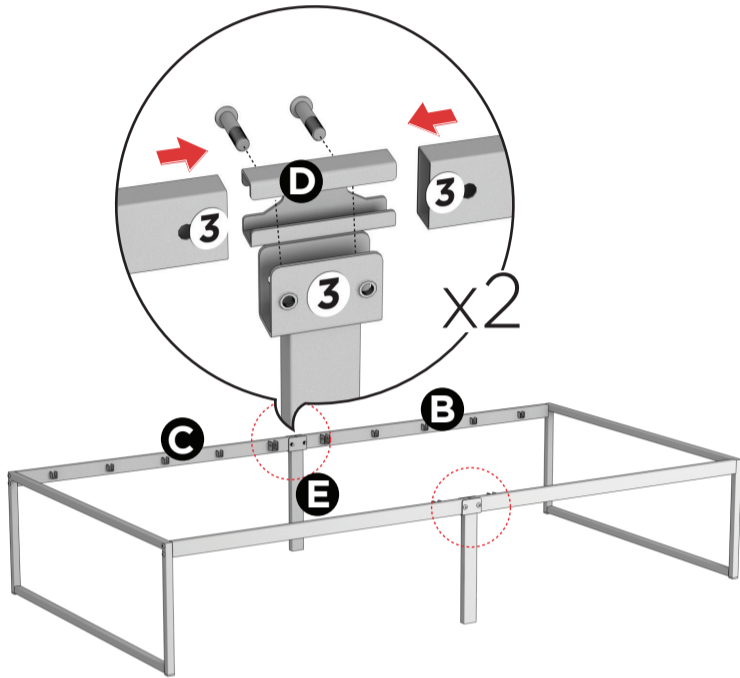
x2

2



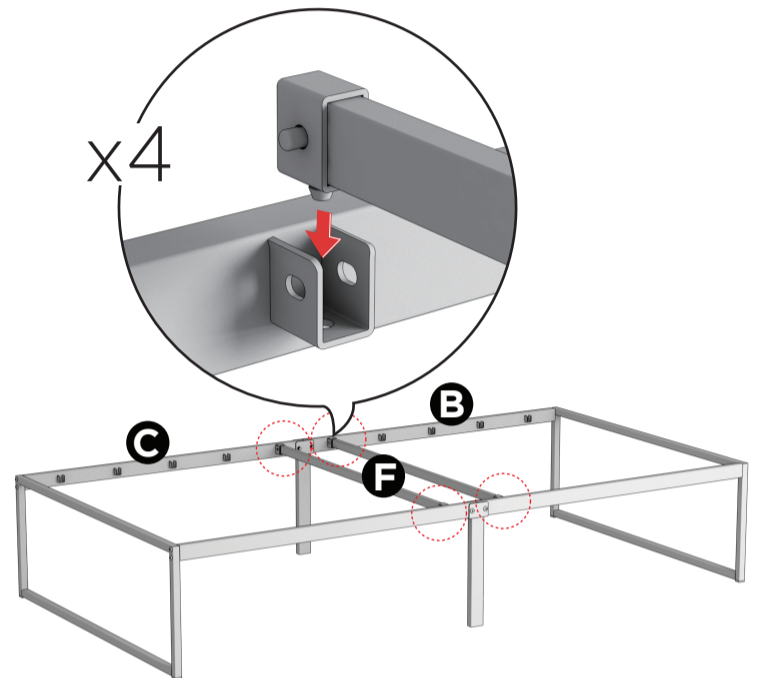
x2

3



x2

4



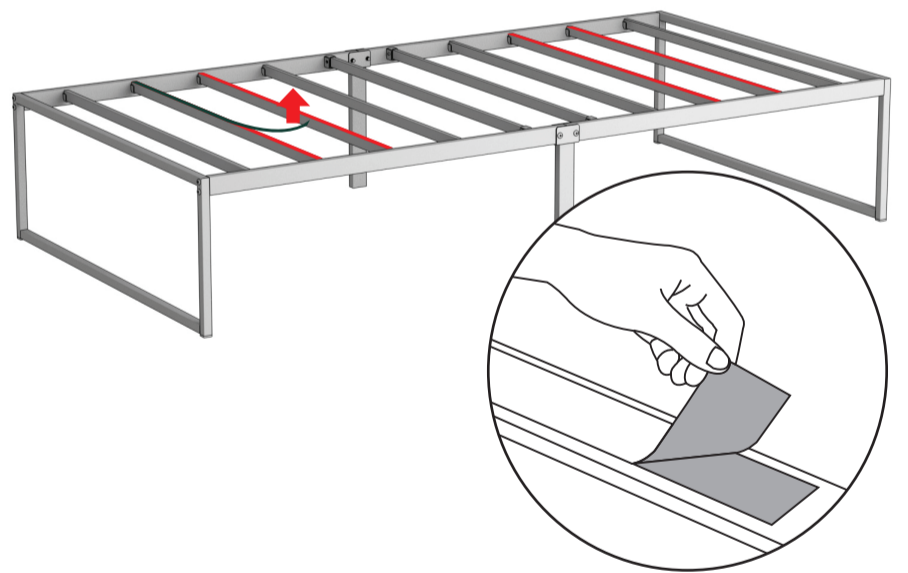
x4

5



G x8

6



7

