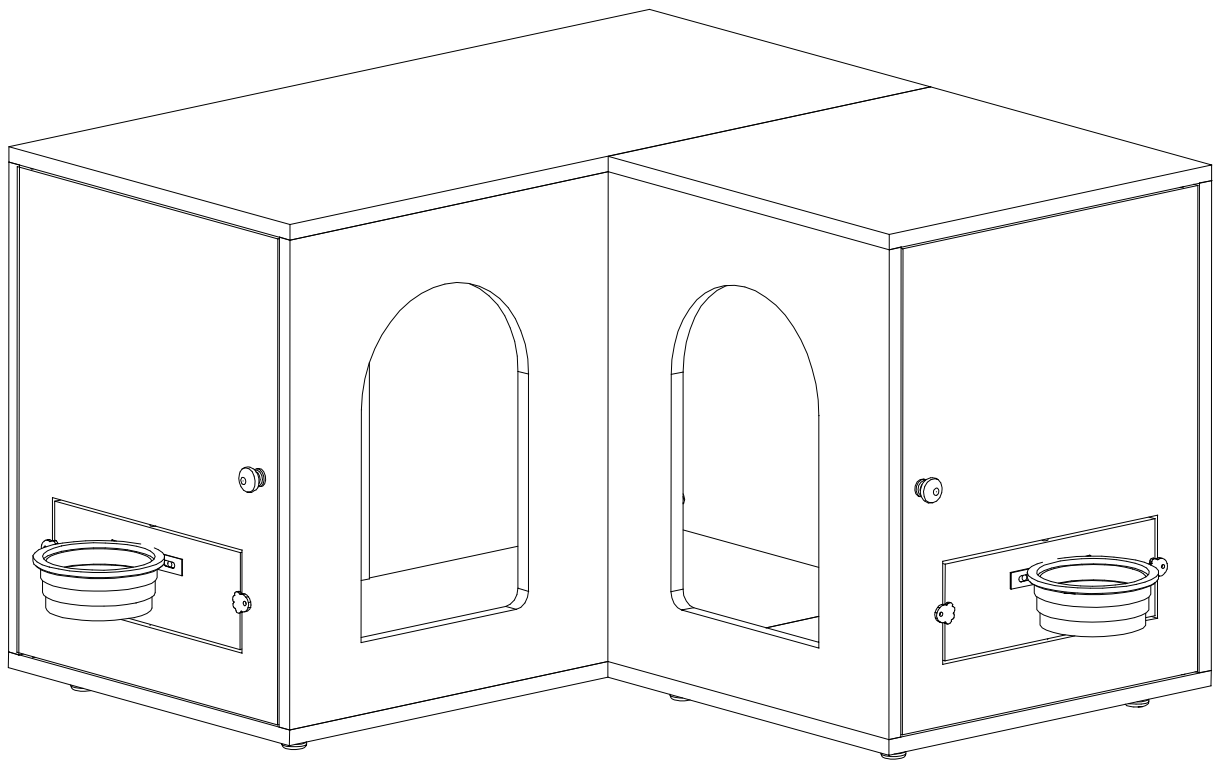


User Manual



GUIDELINE

1. Please read the following instructions carefully and use the product accordingly.
2. Please keep this manual and hand it over when you transfer the product.
3. Please check the original carton and all parts in box before starting to assemble the table.

NOTE

1. The product is intended for indoor use only.
2. Children are not allowed to assemble the product. Please keep any small part out of reach of children as they may be fatal if swallowed or inhaled!
3. Children are not allowed to stand, climb or play on the product to avoid serious bodily injury by the toppling.
4. Keep plastic packing bags out of reach of children to avoid any potential danger, such as suffocation.

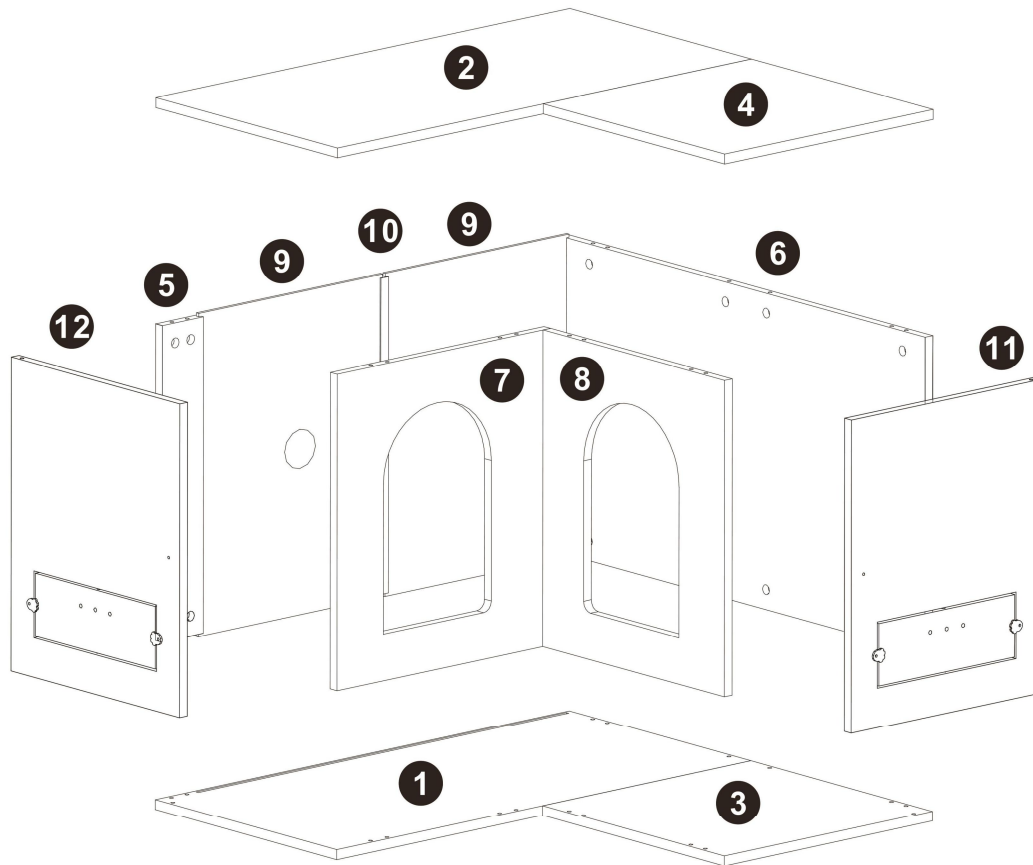
MAINTENANCE

1. Use a dry cloth to clean the table.
2. Please avoid long-term exposure to a humid environment to prevent mildew.
3. Avoid sharp objects and corrosive chemicals to prevent damage to the product.
4. The structure of this product can not meet the requirements of kids climbing.

TIPS BEFORE ASSEMBLE

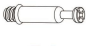

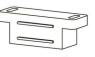

















1. Do not use any glue to stick the board pieces.
2. When installing the product, use a soft surface (such as carpet or cardboard) to avoid scratching or damaging the surface of the product.
3. Please try to use a manual screwdriver instead of an electric screwdriver. A manual screwdriver can be used to better control the tightness of the screws.
4. The product is unstable before it is assembled. Please pay attention to the product installation sequence, and align all screws and screw holes before tightening.

PANEL LAYOUT

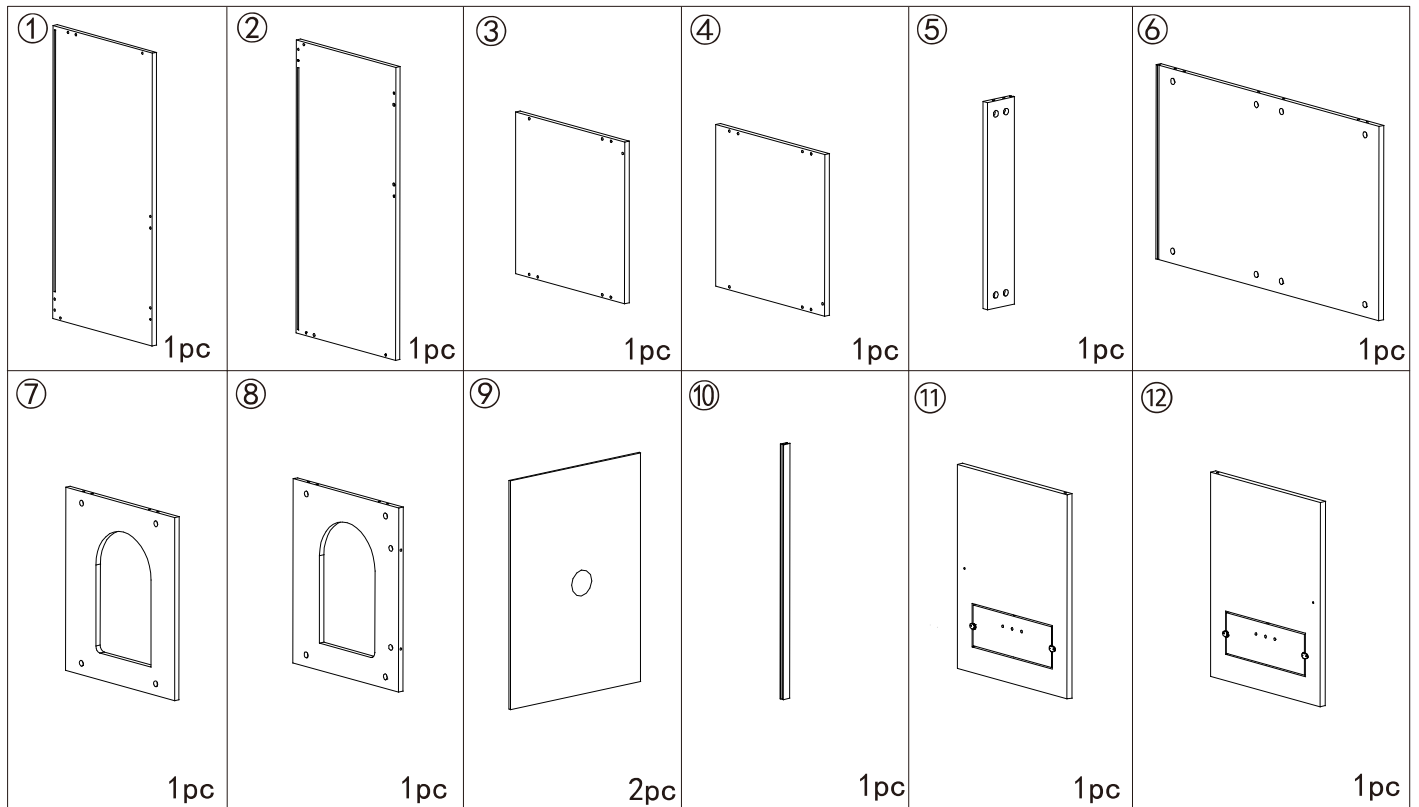


HARDWARES LIST

Please check parts in box and ensure that you have them all before assemble.

A  24pcs	C  24pcs	E  2pcs	G  2pcs	I  4pcs	K  8pc	M  4pcs	O  2pcs	Q  2pcs	S M4X20mm  13pcs
B  13pcs	D M4X12mm  5pcs	F  2pcs	H M4X16mm  2pcs	J  22pcs	L  2pcs	N  4pcs	P  2pcs	R  13pcs	T M4X15mm  4pcs

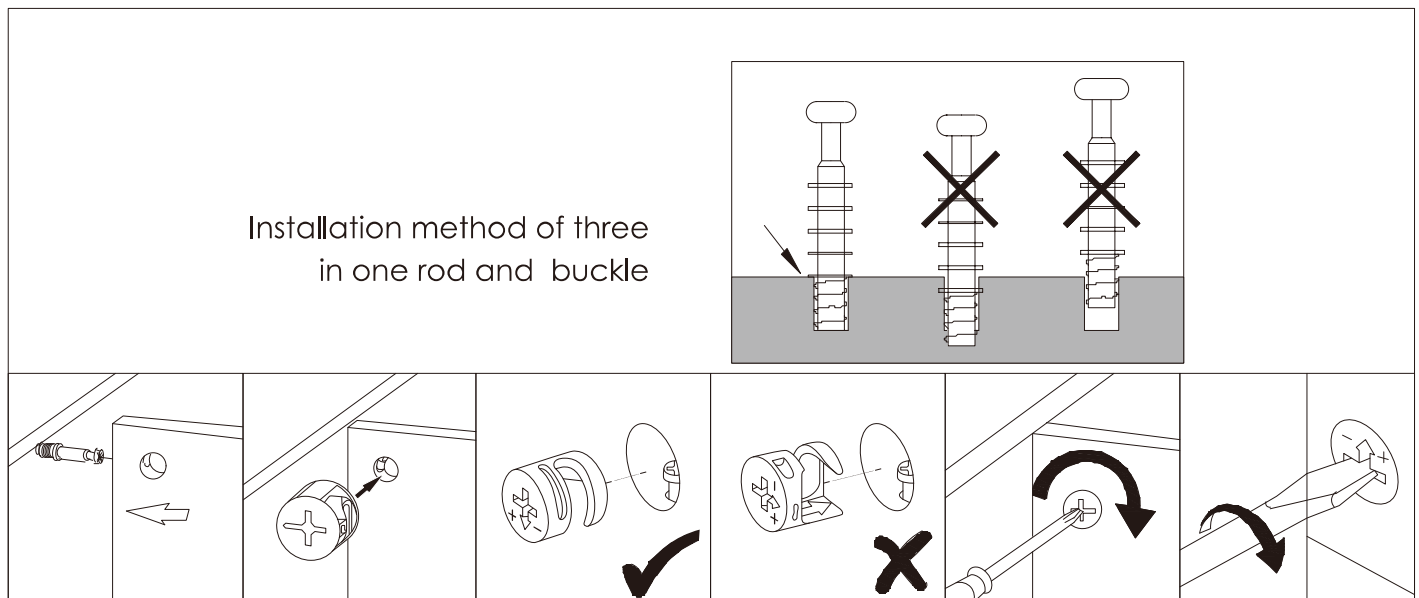
PARTS LIST



! NOTES

1. If your package has missing parts or hardware, please check the package carefully again.
2. If it is still missing, you can contact us, indicating the parts you are missing. Attached are pictures of the outer package, pictures of the parcel logistic list, and pictures or video of all the parts on display.
3. Everything's fine. You can follow the installation steps. If you have any installation questions, you can contact us and we will help you with everything.

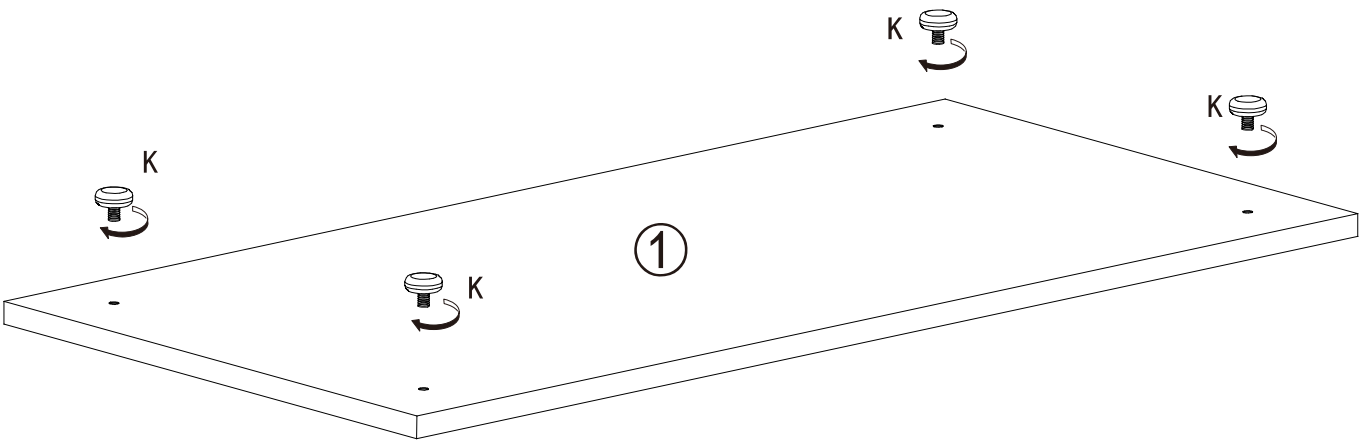
PLEASE USE THE 3-IN-1 SCREWS CORRECTLY.



PS: You will need a screwdriver tool. There are many small pieces and please read every single diagram carefully, use the right parts and follow the steps to install.

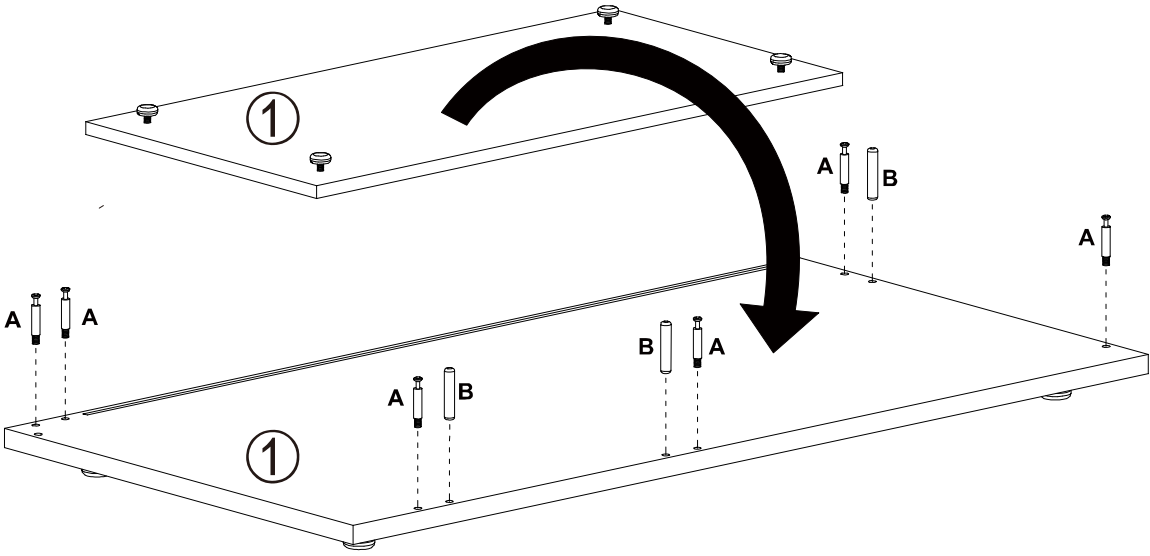
1

You will need				
K	x4			



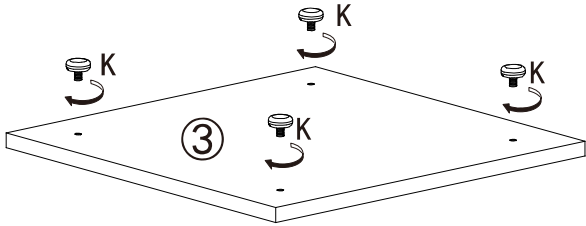
2

You will need			
A	x6	B	x3



3

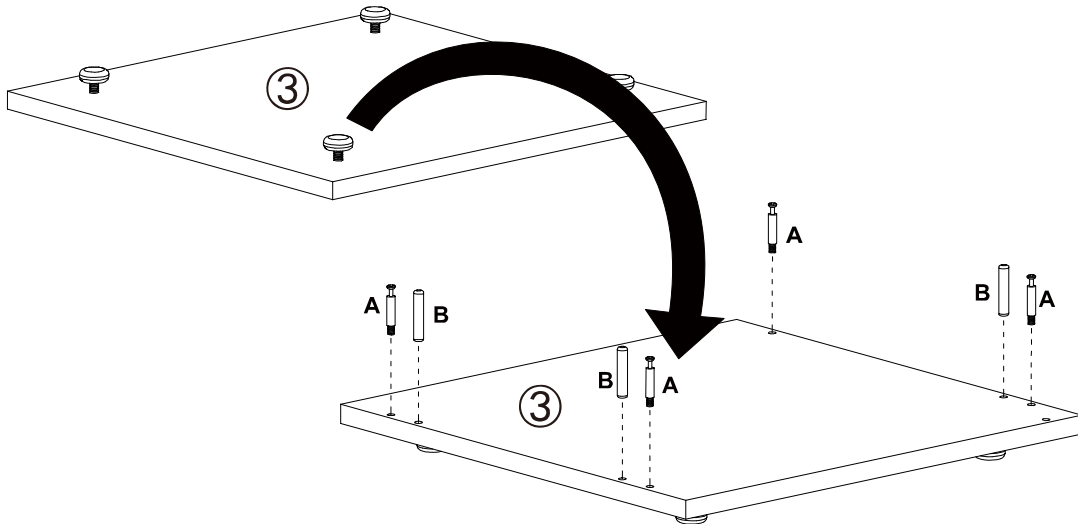
You will need				
K	x4			



4

You will need

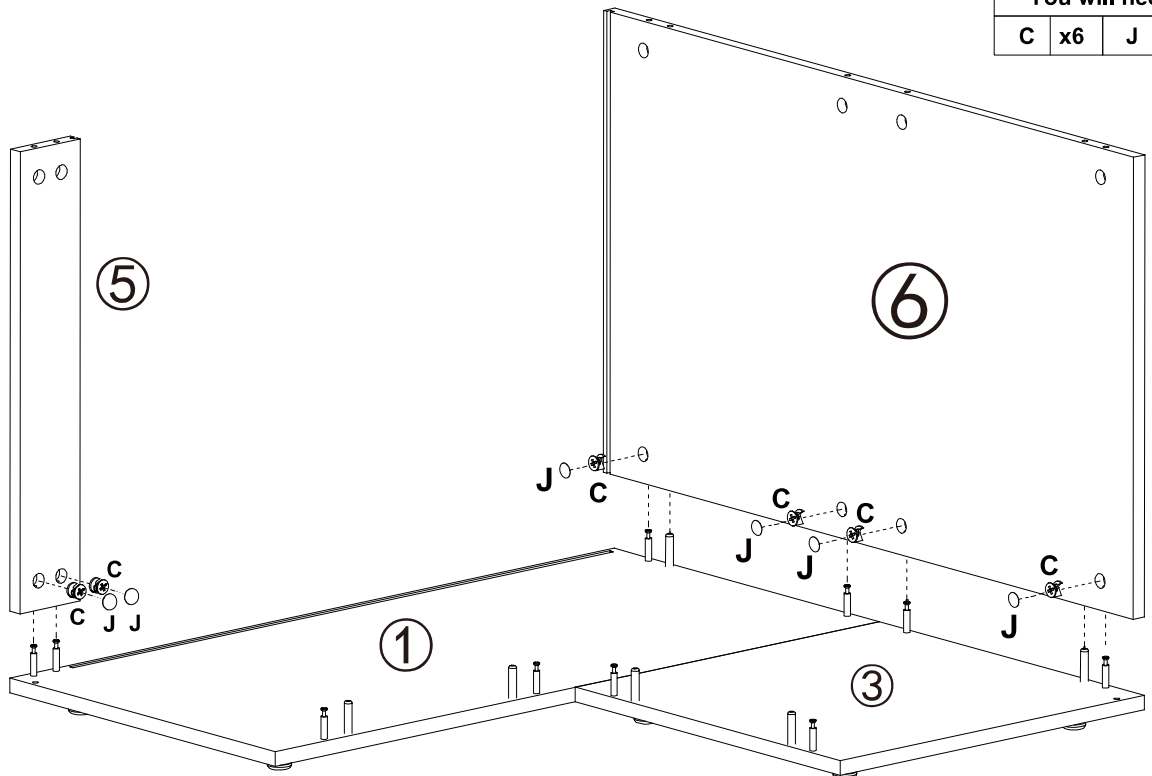
A	x4	B	x3
---	----	---	----



5

You will need

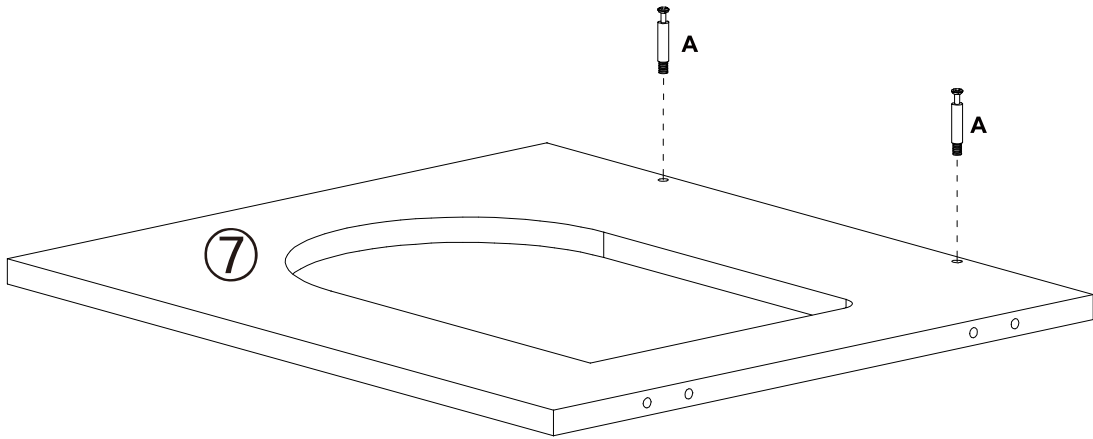
C	x6	J	x6
---	----	---	----



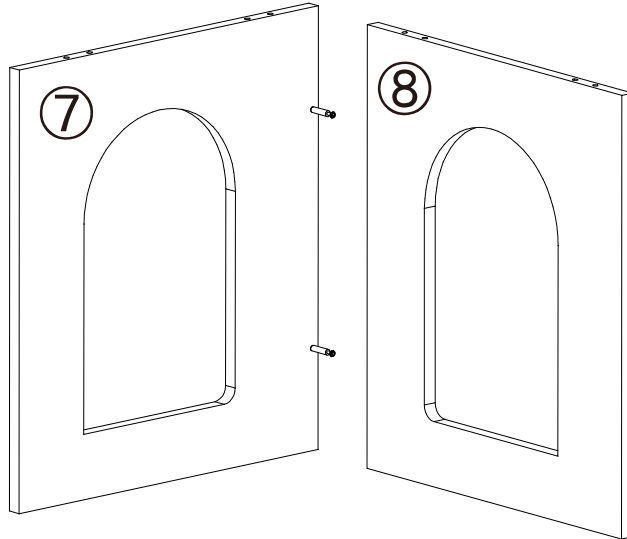
6

You will need

A	x2		
---	----	--	--



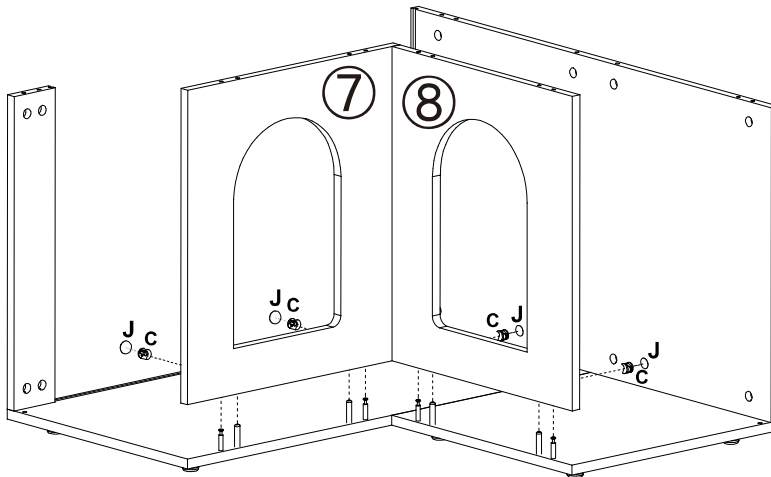
7



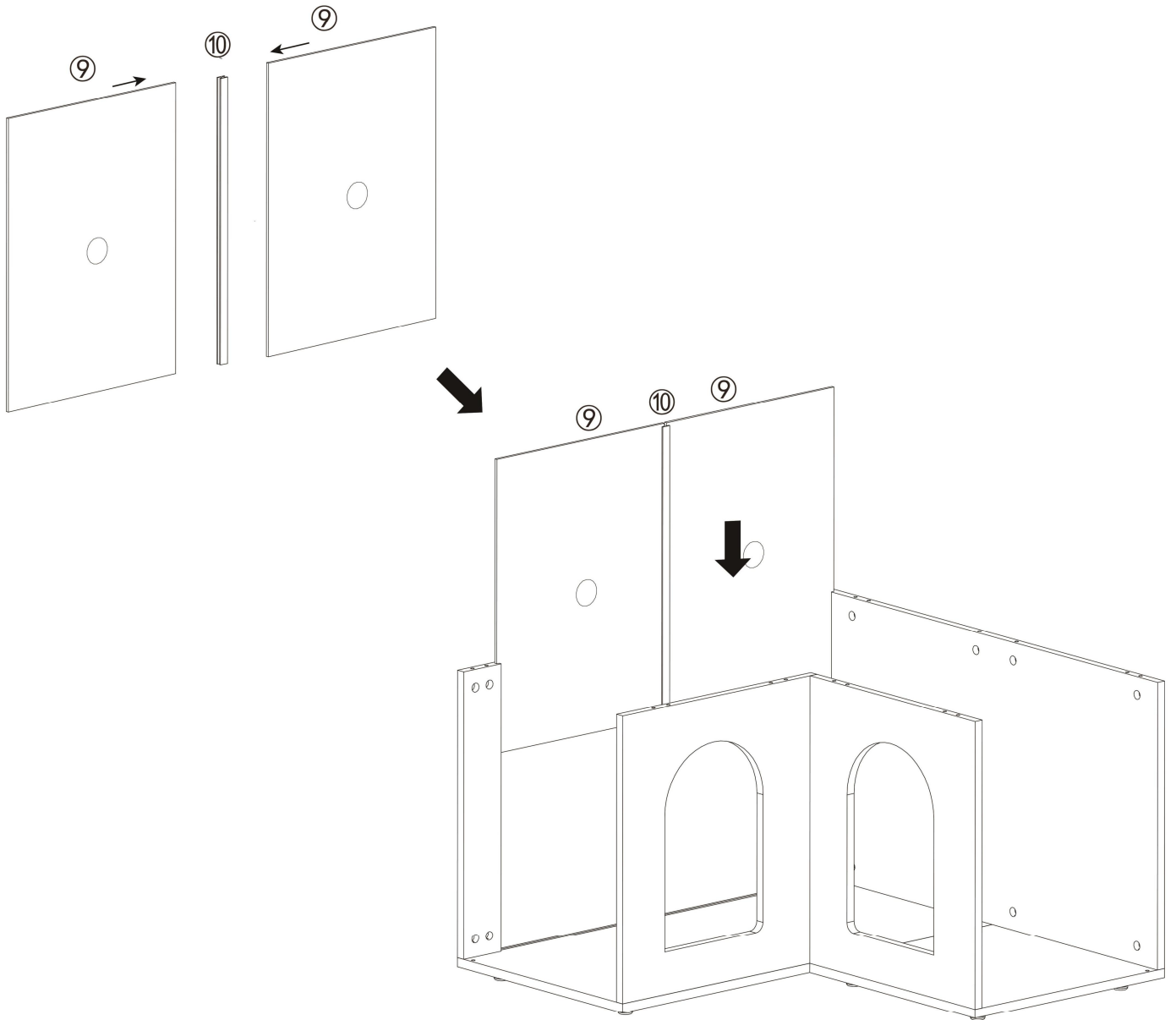
8

You will need

C	x4	J	x4
---	----	---	----



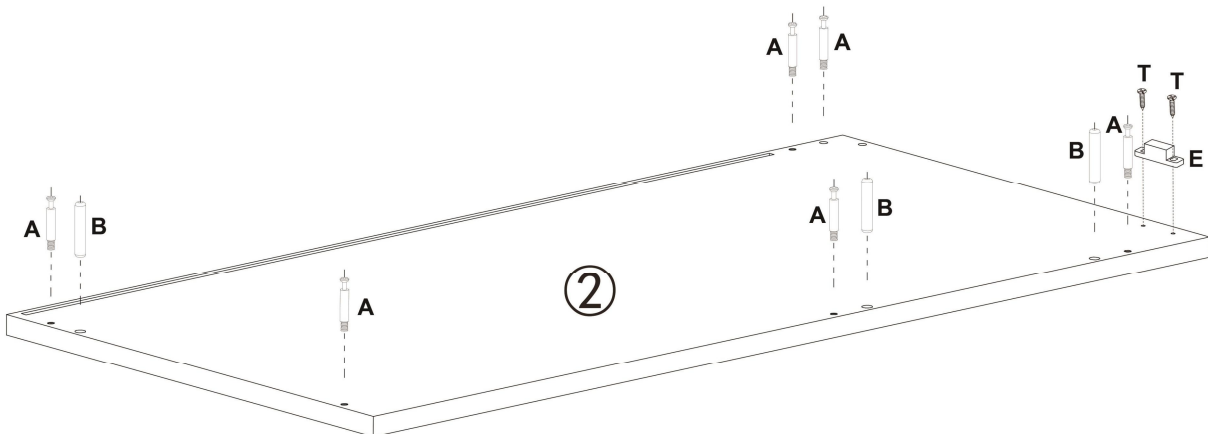
9



10

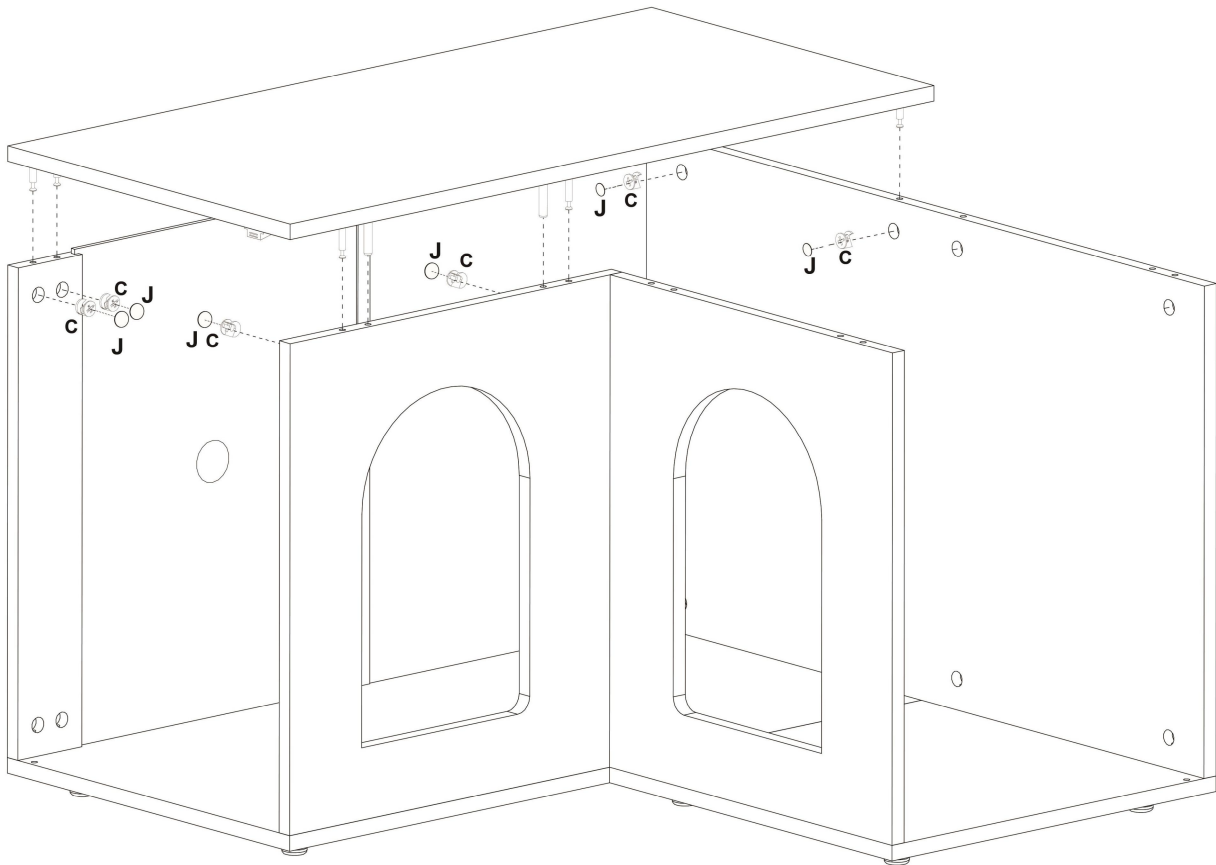
You will need

A	x6	B	x3
E	x1	T	x2



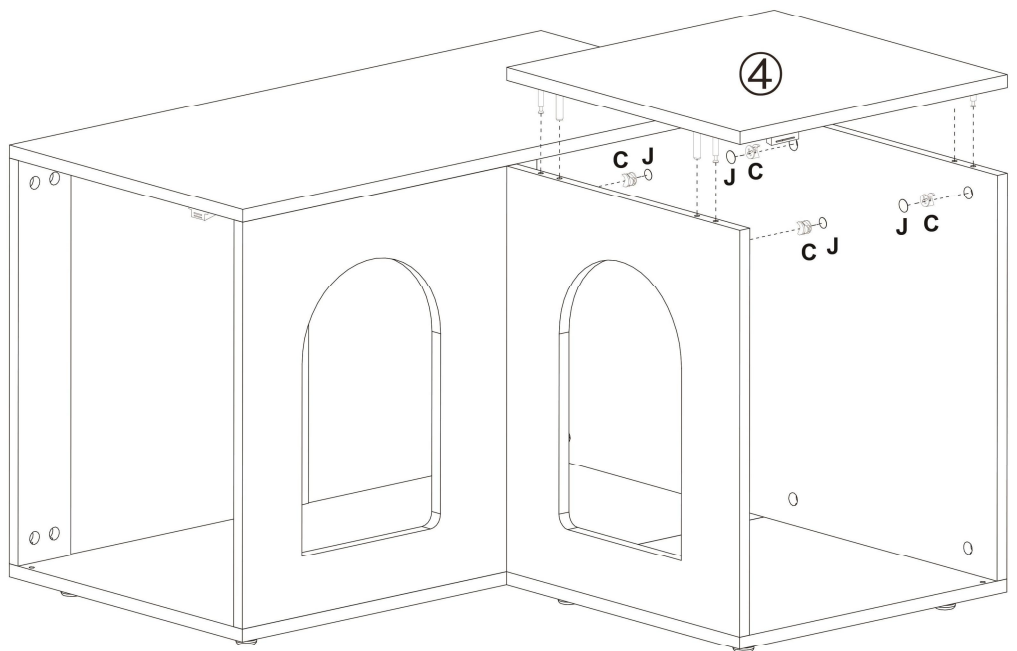
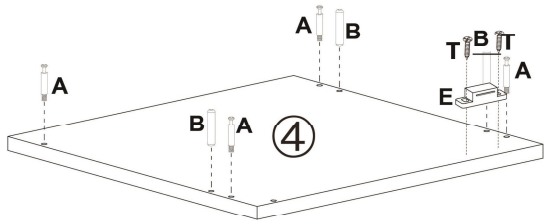
11

You will need			
C	x6	J	x6



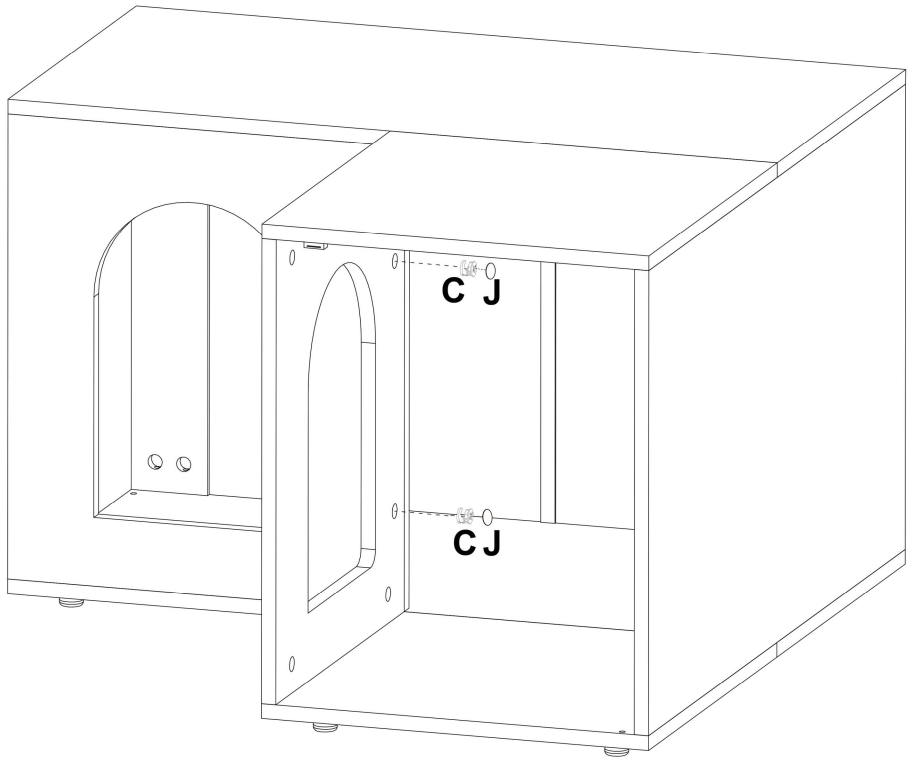
12

You will need			
A	x4	B	x3
T	x2	E	x1
		J	x4



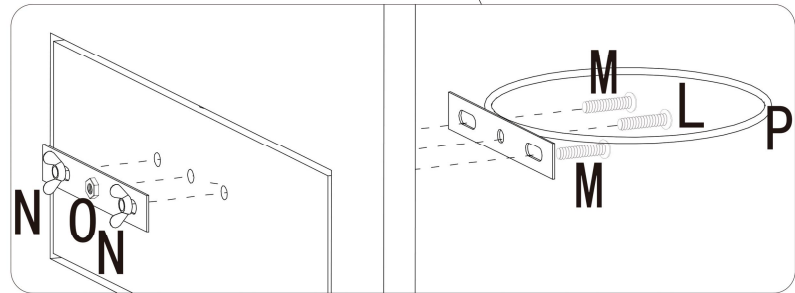
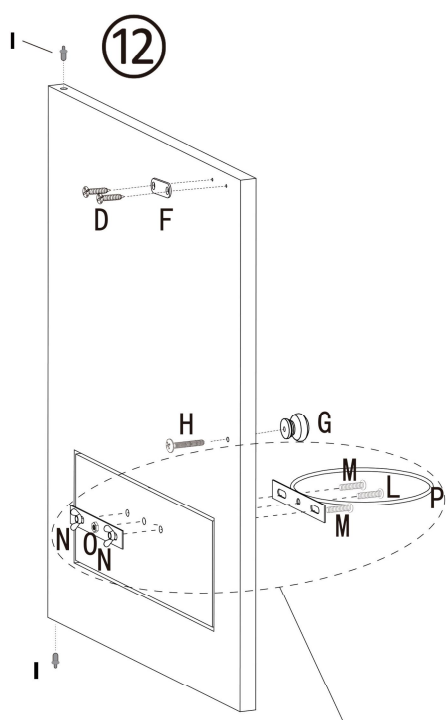
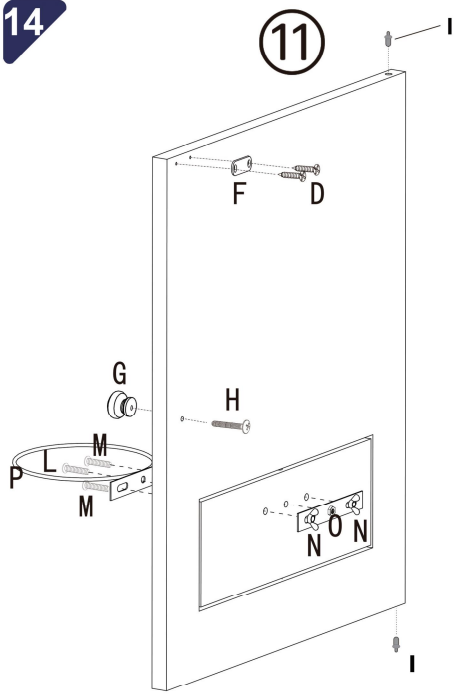
13

You will need			
C	x2	J	x2

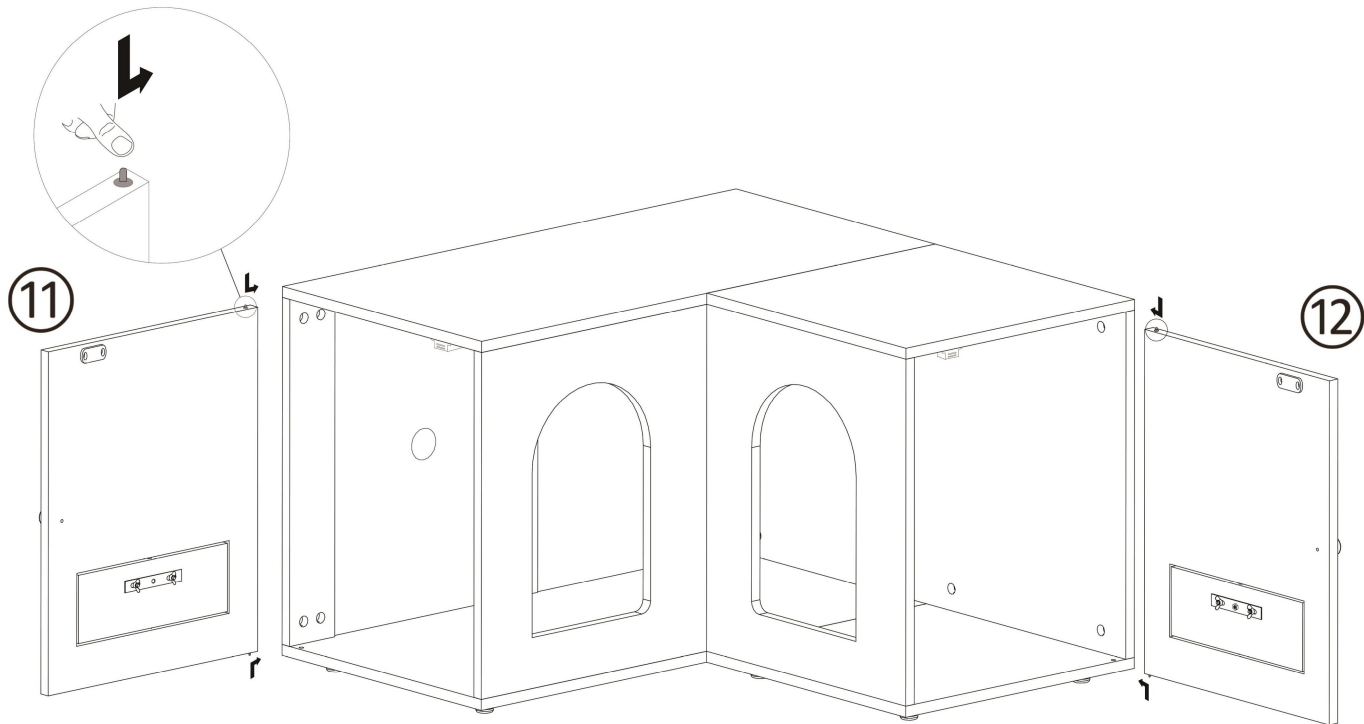


14

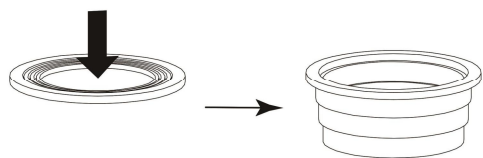
You will need			
D	x4	F	x2
H	x2	I	x4
M	x4	N	x4
P	x2		



15

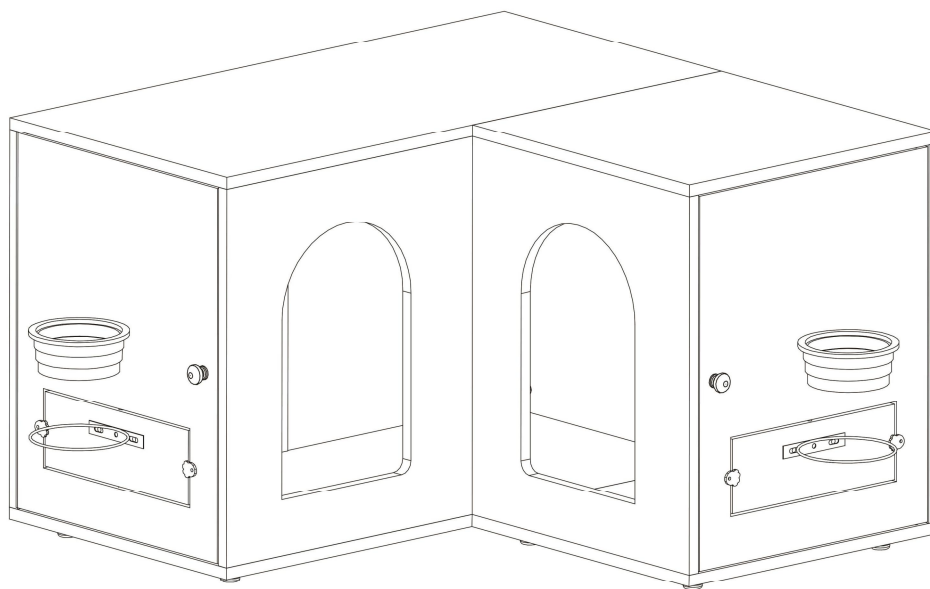


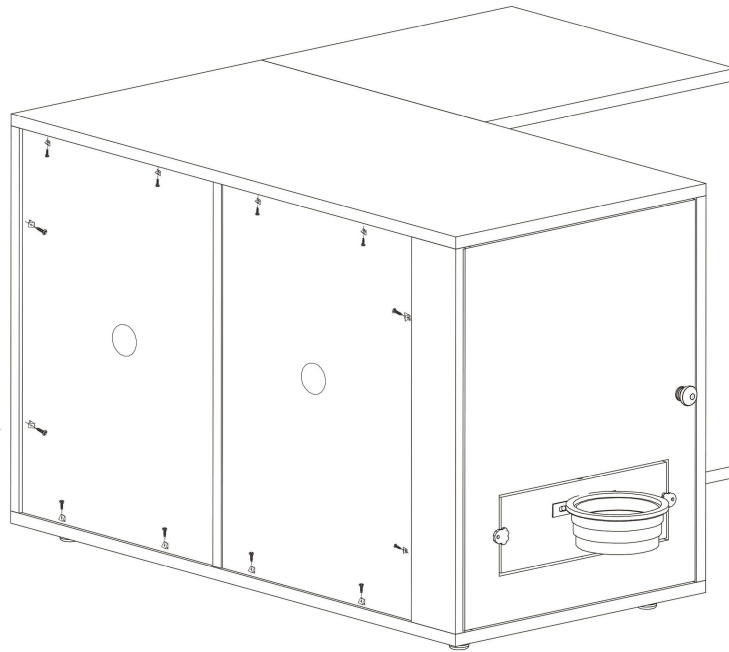
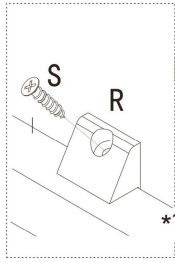
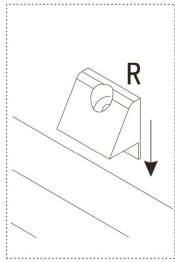
16



You will need

Q	x2		
---	----	--	--





Install backboard nails can effectively enhance the stability of the product and extend the life span of the product.

SPECIFICATION

Size of Cat Litter Box	80*40*50 cm+40*40*50 cm; 31.5*15.7*19.7 in+31.5*15.7*19.7 in
Box size	90*53*12 cm; 35.4*20.9*4.7 in
Carton Weight	22 kg/48.5 lb
Capacity	45 kg/100 lb
Material	MDF board, steel, metal



Made in China