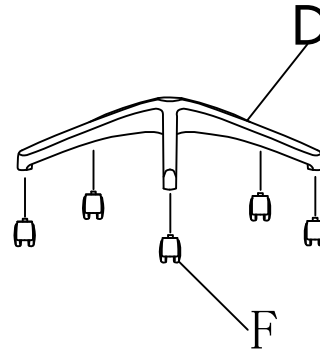


Assembly Instructions DAHL Office Chair

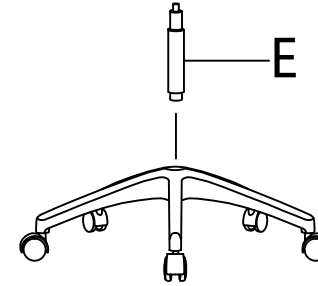
PLEASE NOTE: Check that you have received all components and hardware before assembling. If you are missing any parts, contact your retailer.



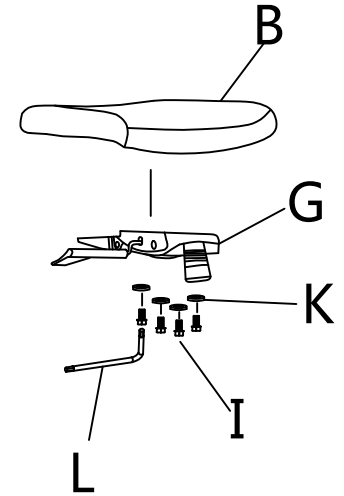
1



2



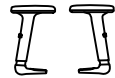
3



A (1 pc)



B (1 pc)



C (1 set)



D (1 pc)



E (1 pc)



F (5 pcs)



G (1 pc)



H (6 pcs)
M6-1.25x30mm



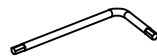
I (4 pcs)
M6-1.25x20mm



J (3 pcs)
M8-1.25x35mm



K (4 pcs)
ø8xø17x1.2mm

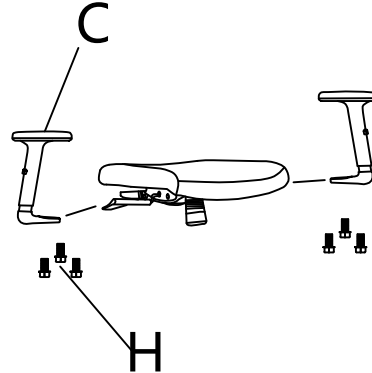


L (1 pc)
4mm

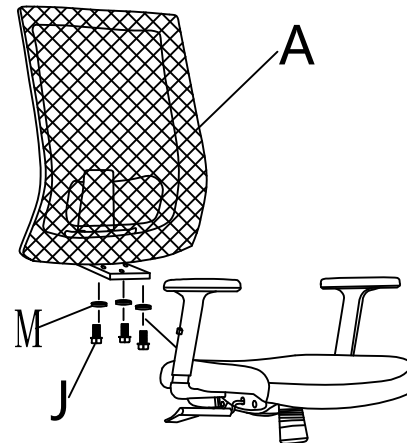


M (3 pcs)
ø8x20x2mm

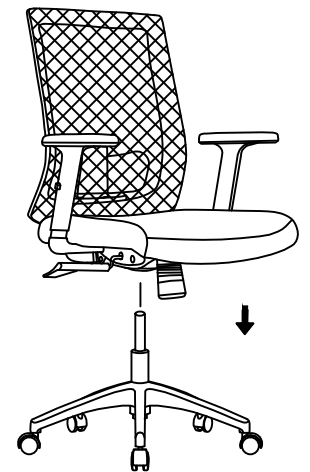
4



5



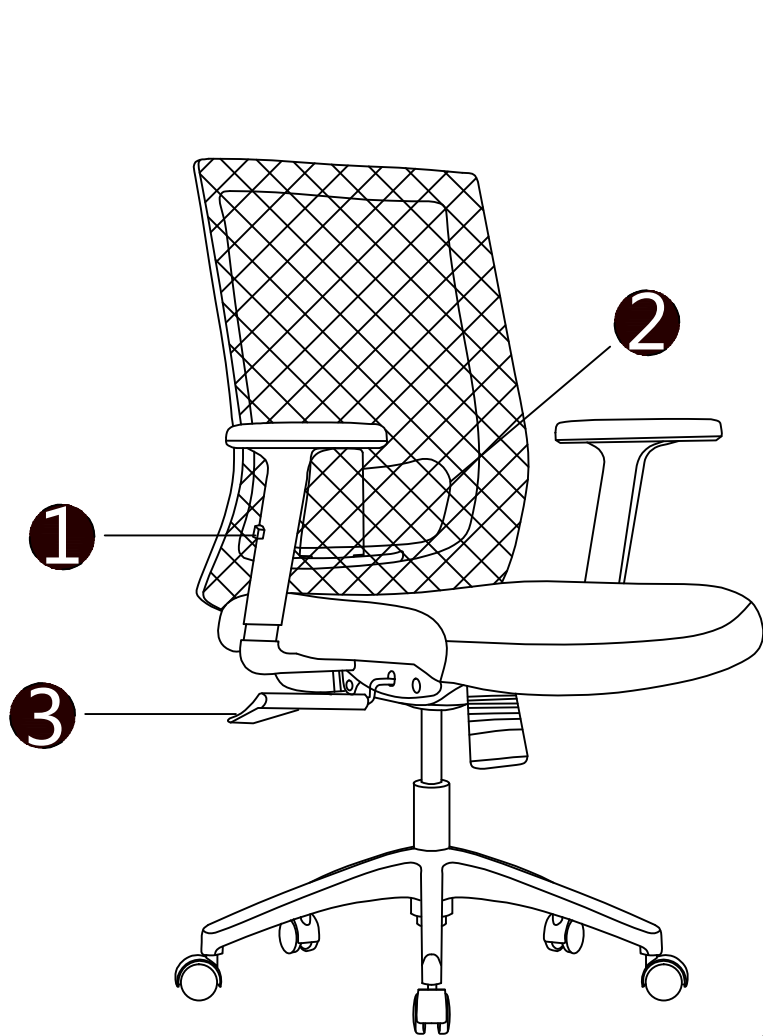
6



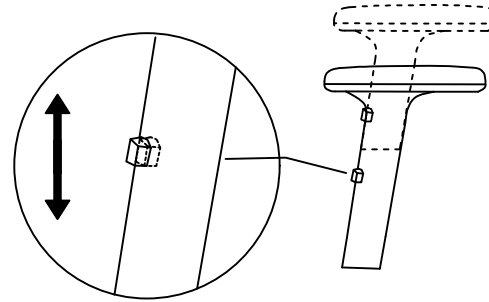
During assembly, hand tighten screws only. When the screws are in place, tighten completely.

Function Description

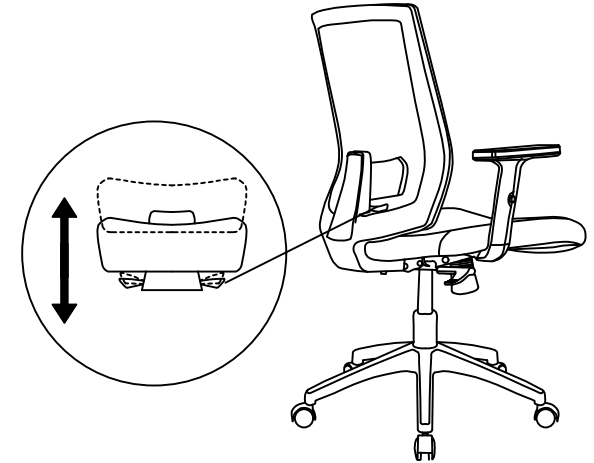
PLEASE NOTE: Check that you have received all components and hardware before assembling. If you are missing any parts, contact your retailer.



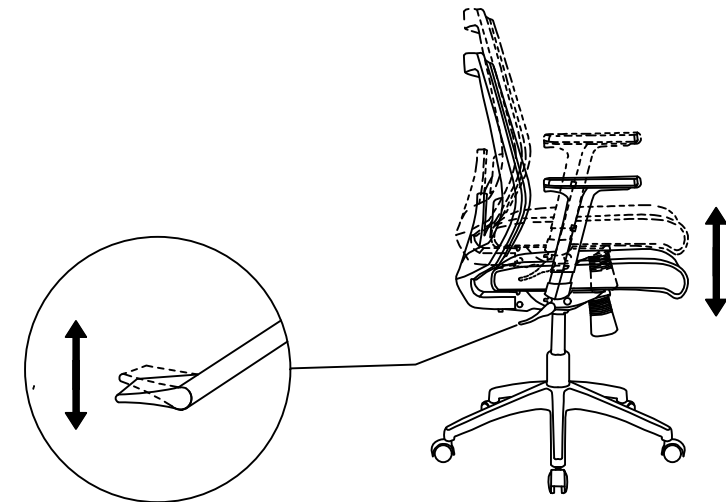
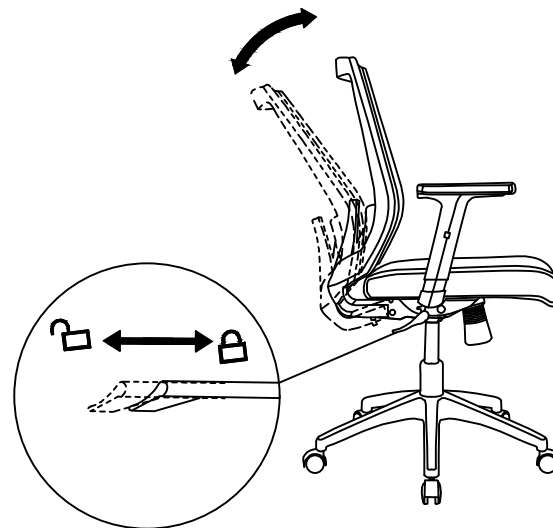
1 Arm height adjustable



2 Lumbar support height adjustable



3 Chair tilt, lock and height adjustable



During assembly, hand tighten screws only. When the screws are in place, tighten completely.