

Instructions

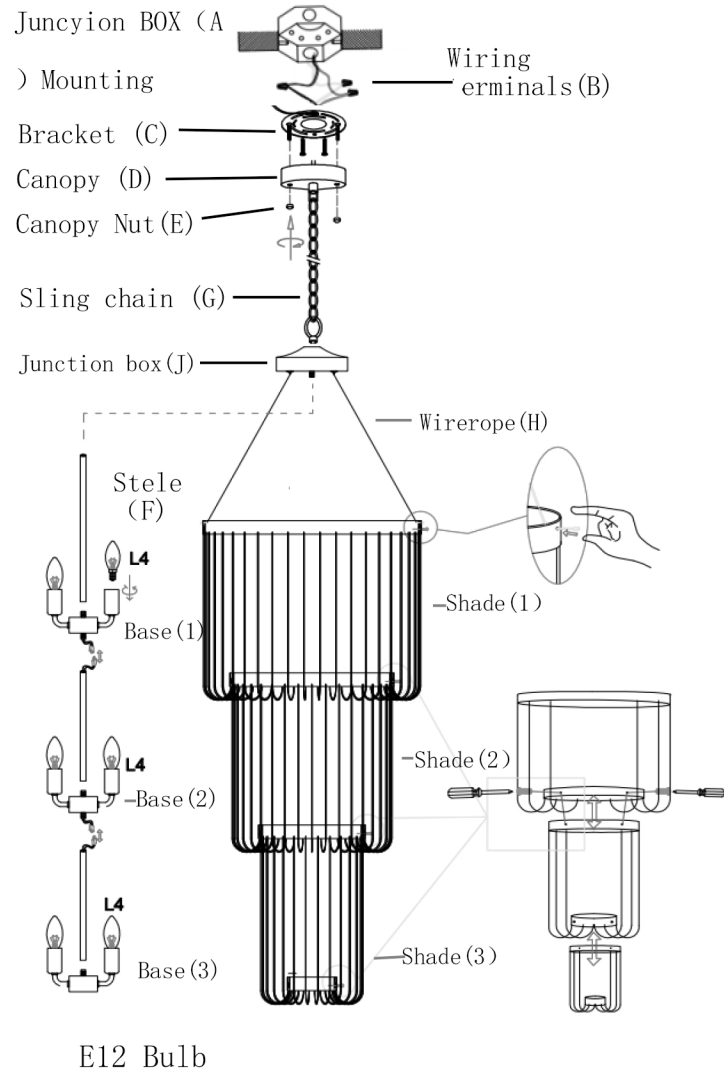
⚠ WARNING

- Check for electric, gas, & plumbing lines before drilling or consult a professional.
- Turn off your electricity at the circuit breaker or main fuse box before installation. Do not restore power to the line until the light has been fully installed.
- Do not use with bulbs exceeding the recommended wattage.
- Always switch off the electricity supply and allow bulbs to cool for 10 minutes before changing it.
- Do not look directly at lit bulb.

ASSEMBLY

It is recommended to use two or more persons during the assembly process.

1. Fix Shade (1) Shade (2) Shade (3) with M4 screws
2. Connect Base (1) Base (2) Base (3) through pipes and wiring terminals. Twist in the E12 bulb max60w (notify included)
3. Fix Wirrop (H) through Shade (1) and Junction box (J)
4. Connect and fix the connected Base to Junction Box (J)
5. Connect the Sling chain (G) to the Junction box (J) and fix it in place, selecting the appropriate length for yourself
6. Fix bracket the installation (C) to the Junction Box (A)
7. Refer to the Wiring diagram and connect the power cord using Wiring terminals (B). Pay attention to distinguishing positive and negative Poles
8. Cover the Wiring terminals (B) with Canopy (D) and tighten them using Canopy Nut (E)
9. to the appropriate position eight After installation is completed, turn on the power switch and test whether the lighting fixtures are on Due to the large size of the lamp body and the relatively complex installation, it is recommended to have a professional electrician complete it!



Just Scan the Below Code for Installation Video



300B

| | | |
|----|--|-----|
| d1 | | x 3 |
| d2 | | x 2 |

E12 SocketMax
.60W Bulbs
(not included)