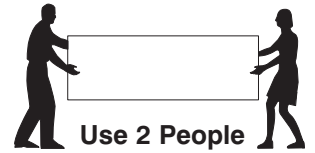
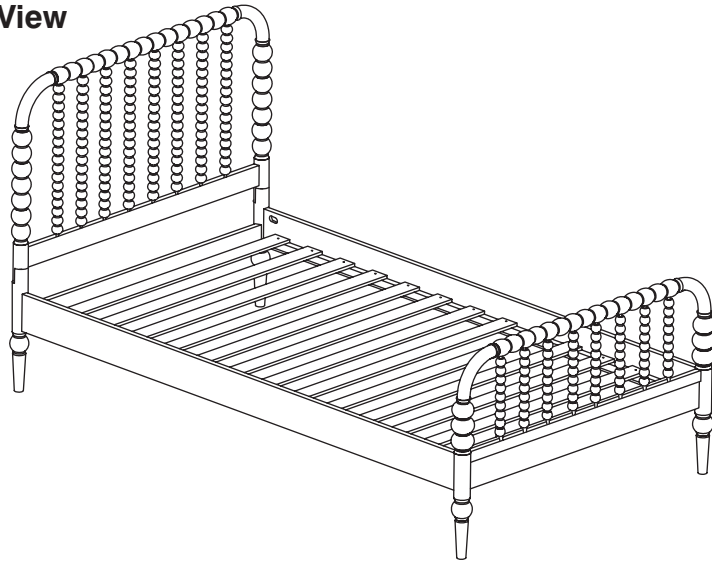


0110-4 Twin Bed

Assembly Instructions

WI-0524

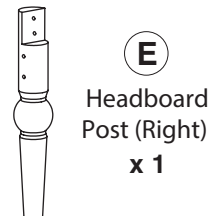
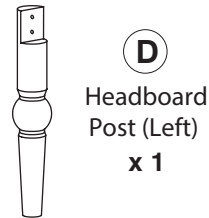
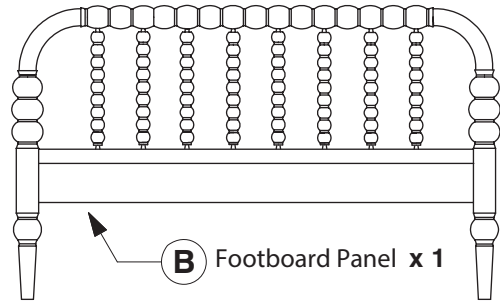
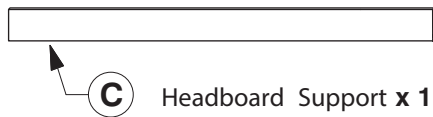
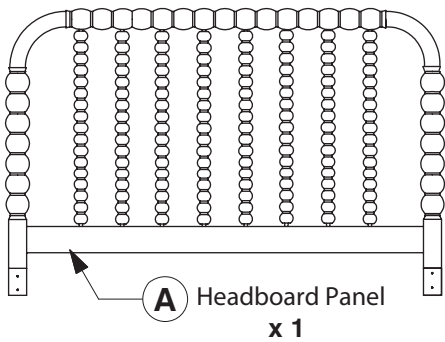
1 Assembled View



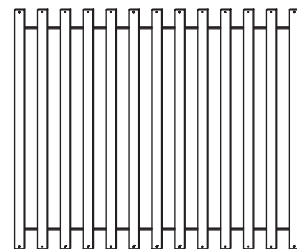
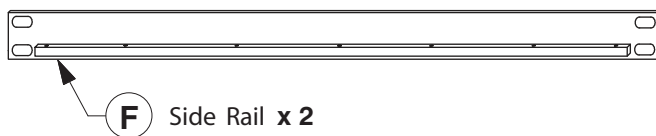
Note: Do not assemble using power tools. This can cause the bolts to be overtightened

2

Parts in Box A:



Parts in Box B:



G Set of Bed Slats x 1

0110-4 Twin Bed

Assembly Instructions

WI-0524

3 Hardware List



1 M4 Allen Key
x 1



2 Wood Screw
(M4 x 32mm) x 12



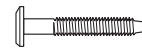
3 Wood Dowel
(10 x 40mm) x 4



4 Spring Washer
x 4

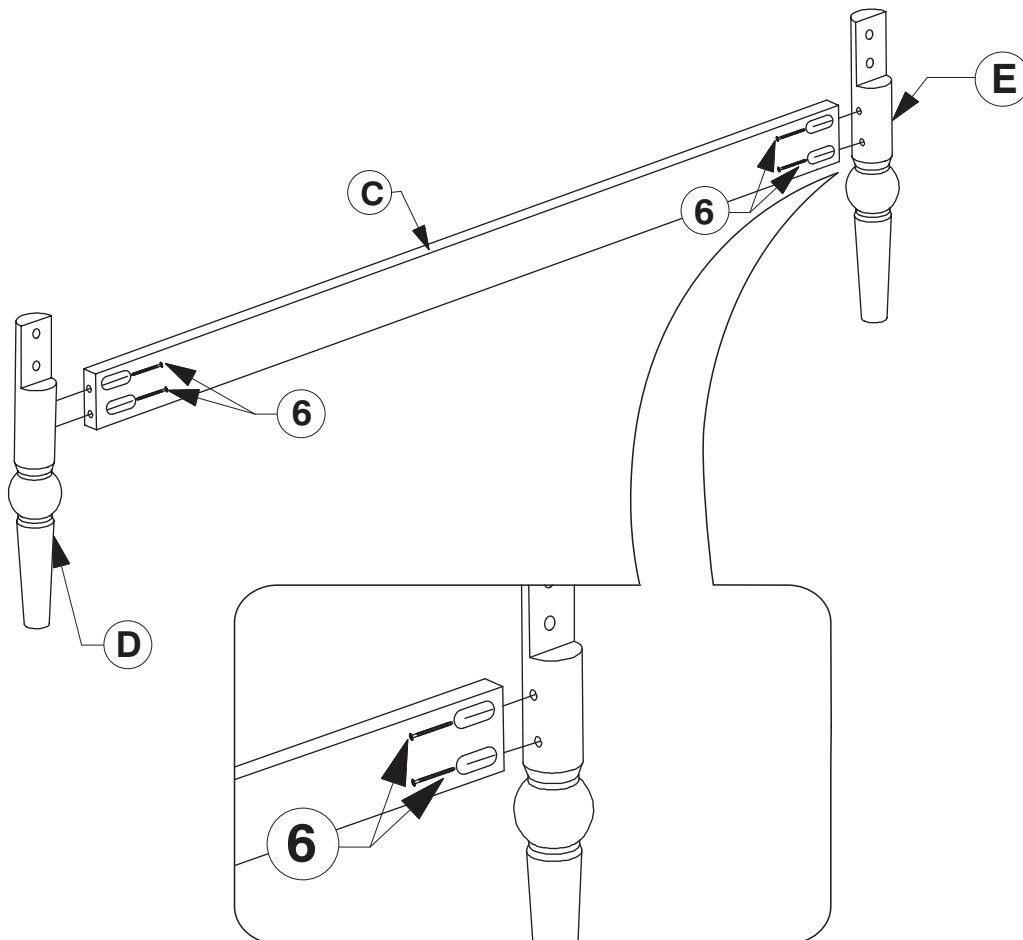


5 Flat Washer
x 4



6 M6 x 40mm
JCB x 30

4 Assembled the Headboard Post (D & E) to the Headboard Support (C).

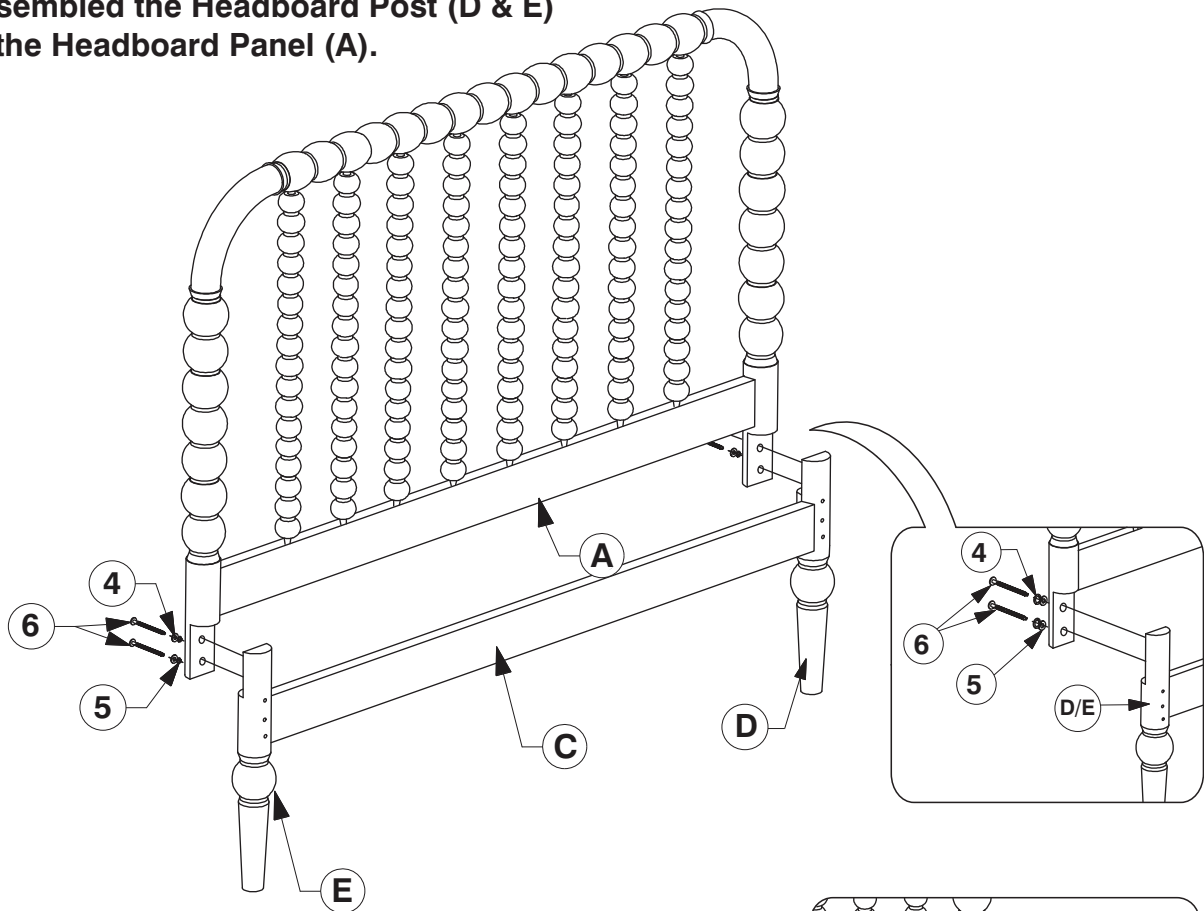


0110-4 Twin Bed

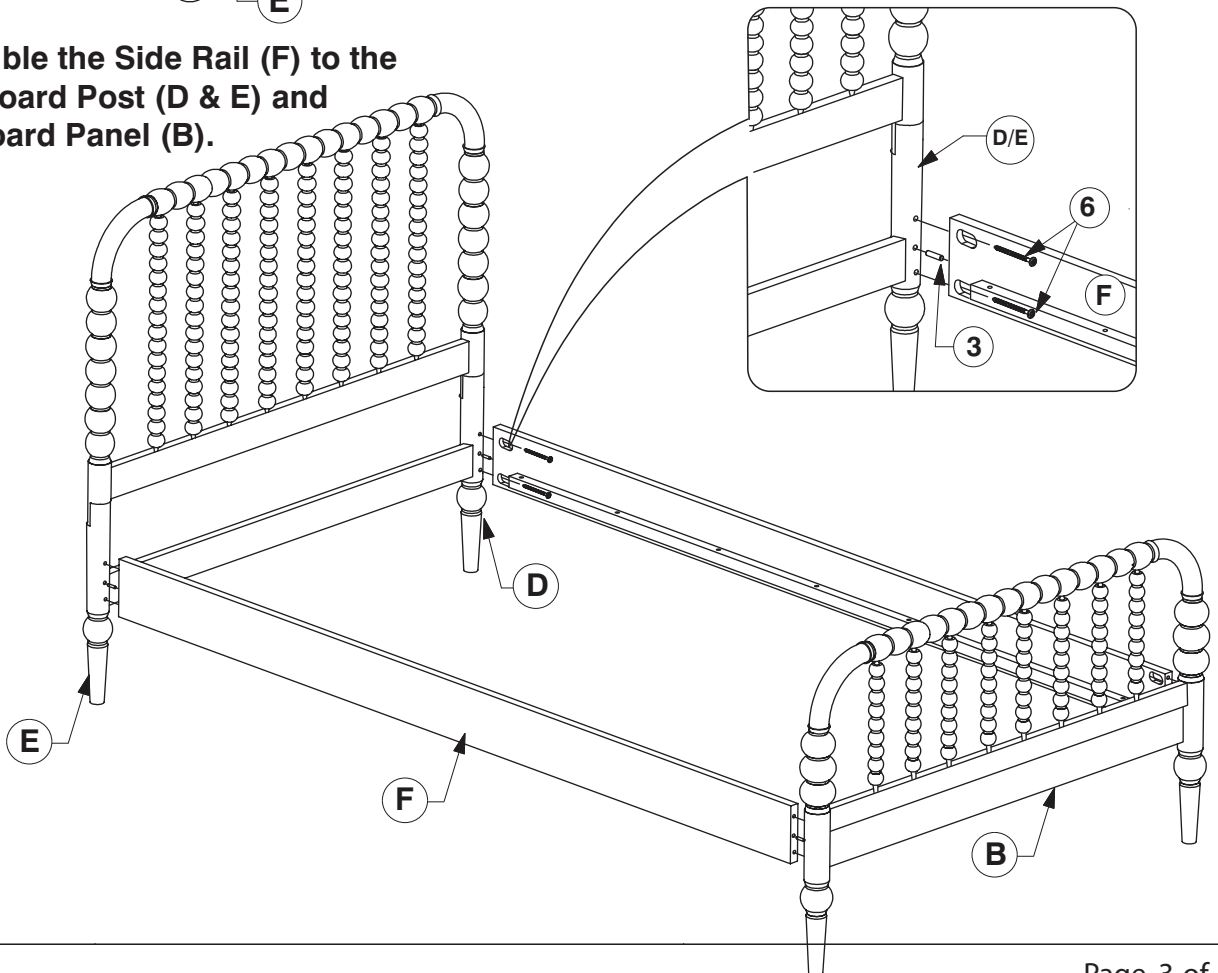
Assembly Instructions

WI-0524

- 5** Assembled the Headboard Post (D & E) to the Headboard Panel (A).



- 6** Assemble the Side Rail (F) to the Headboard Post (D & E) and Footboard Panel (B).

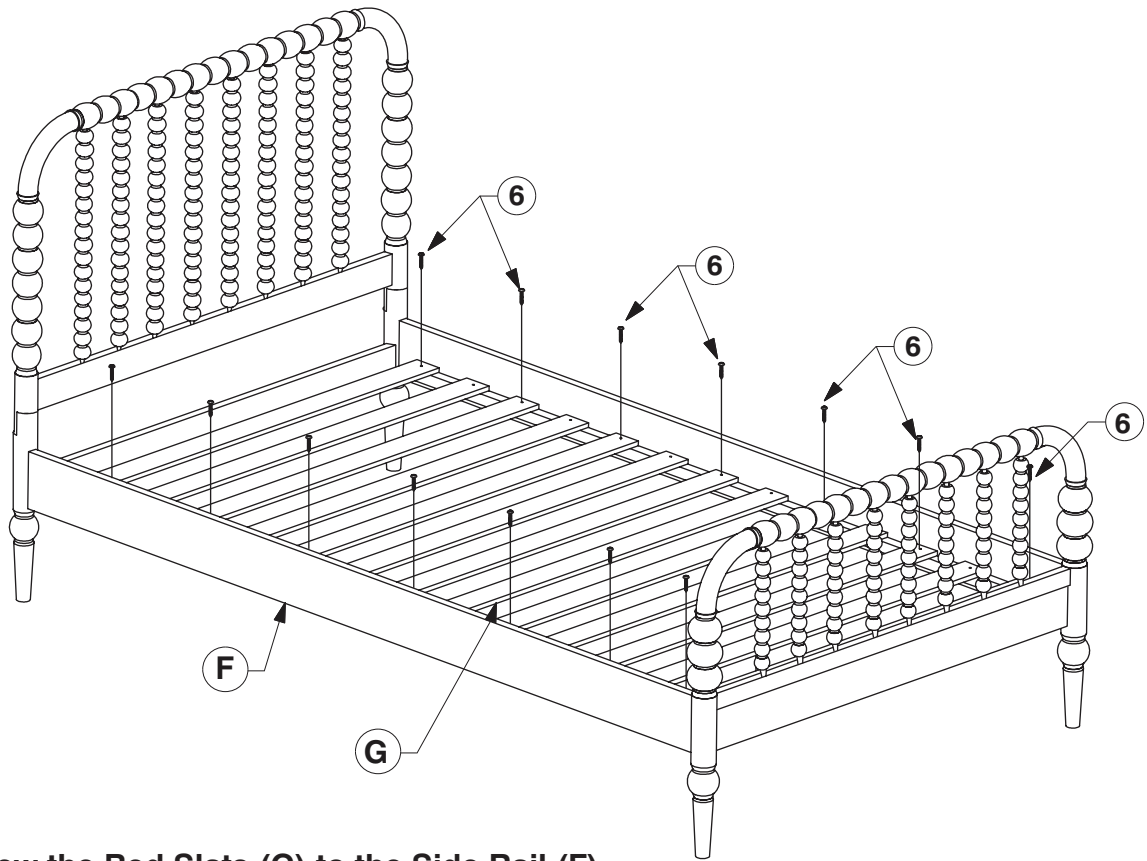


0110-4 Twin Bed

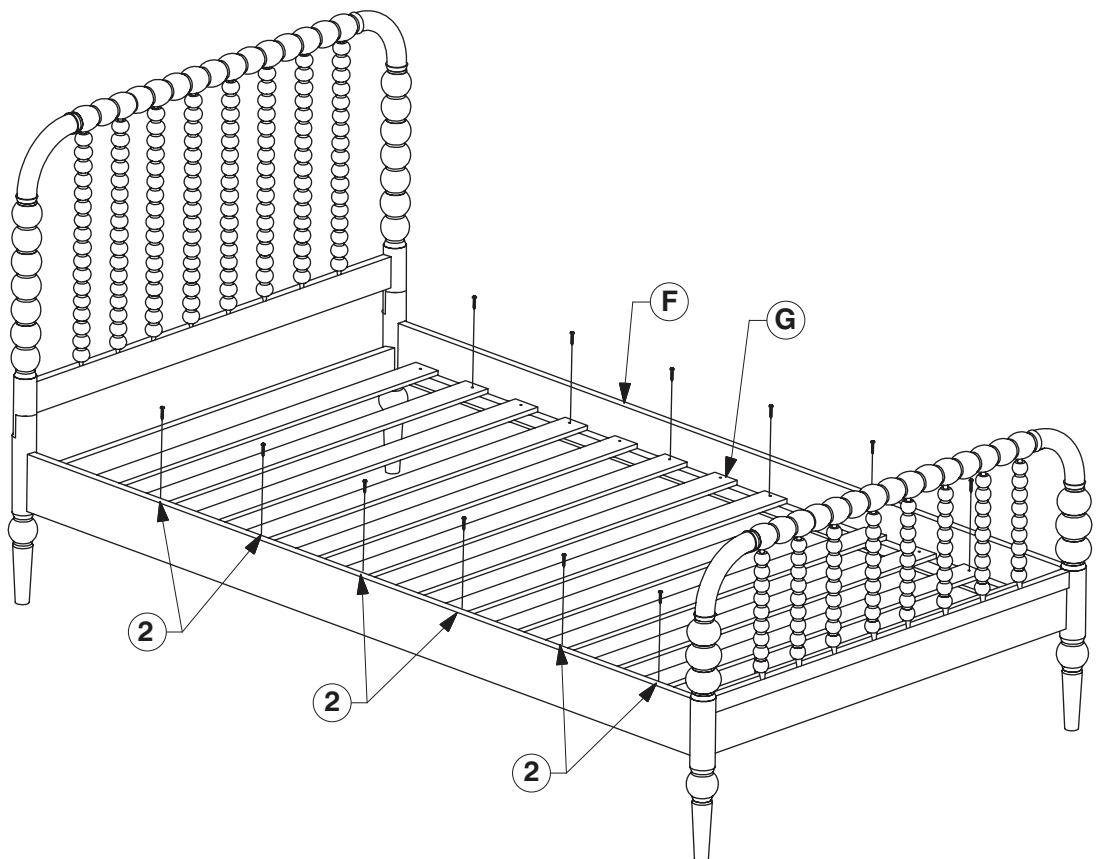
Assembly Instructions

WI-0524

- 7 Bolt the Bed Slats (G) to the Side Rail (F).**



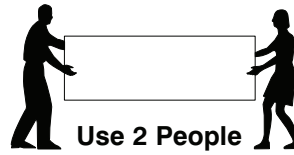
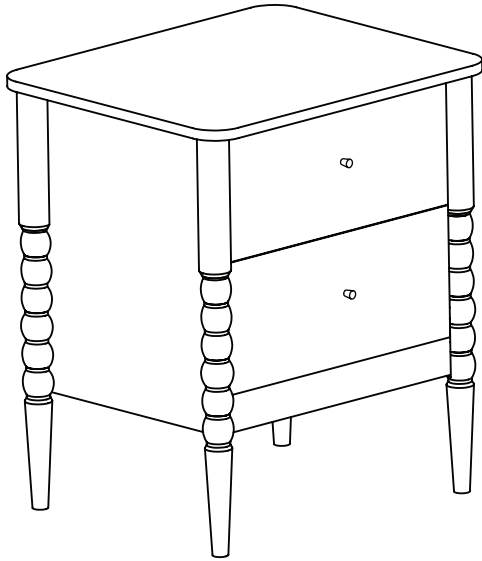
- 8 Screw the Bed Slats (G) to the Side Rail (F).**



9011 2 Drawer Nightstand

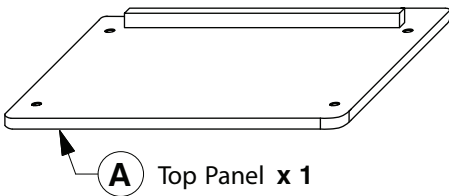
Assembly Instructions

WI-0724

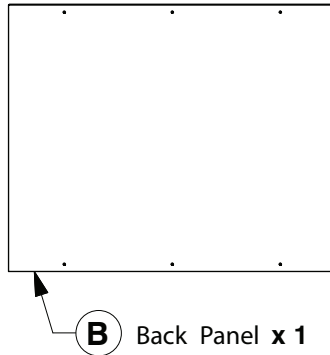


Note: Do not assemble using power tools. This can cause the bolts to be overtightened

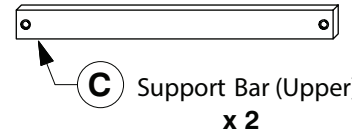
1 Parts List



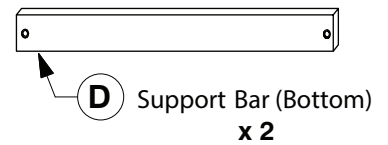
A Top Panel x 1



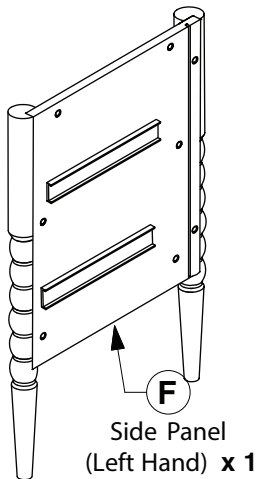
B Back Panel x 1



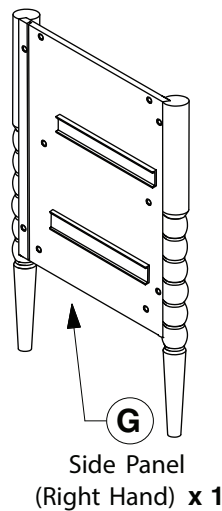
C Support Bar (Upper) x 2



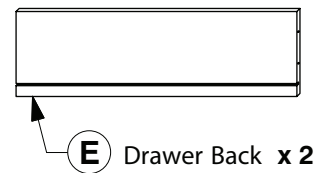
D Support Bar (Bottom) x 2



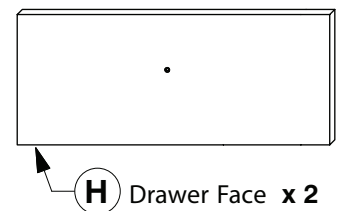
F Side Panel (Left Hand) x 1



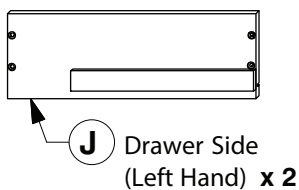
G Side Panel (Right Hand) x 1



E Drawer Back x 2



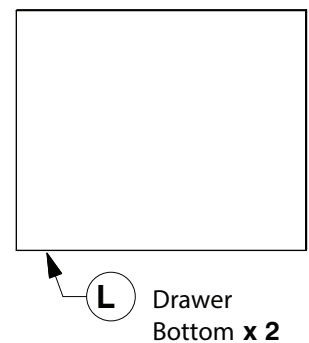
H Drawer Face x 2



J Drawer Side (Left Hand) x 2



K Drawer Side (Right Hand) x 2




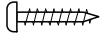
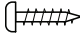
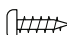

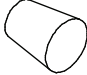
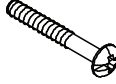

L Drawer Bottom x 2

9011 2 Drawer Nightstand

Assembly Instructions

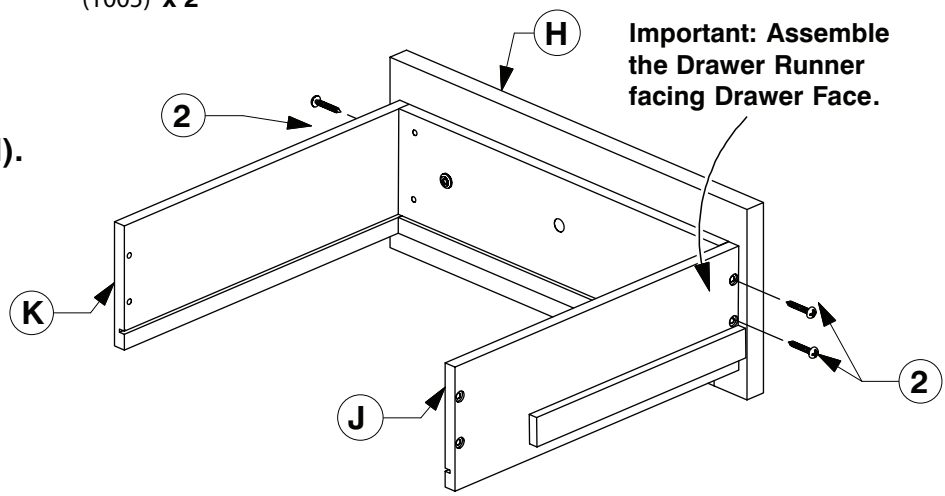
WI-0924

2 Hardware List

- | | | | |
|--|--|---|---|
| 
1 M6 x 15mm
JCB x 24 | 
2 M4 x 25mm
Wood Screw x 16 | 
3 M4 x 20mm
Wood Screw x 8 | 
4 M4 x 16mm
Wood Screw x 6 |
| 
5 'L' Bracket
(5005-3) x 12 | 
6 Handle
(1005) x 2 | 
7 M4 x 20mm
Wood Screw x 2 | 
8 Allen Key
x 1 |

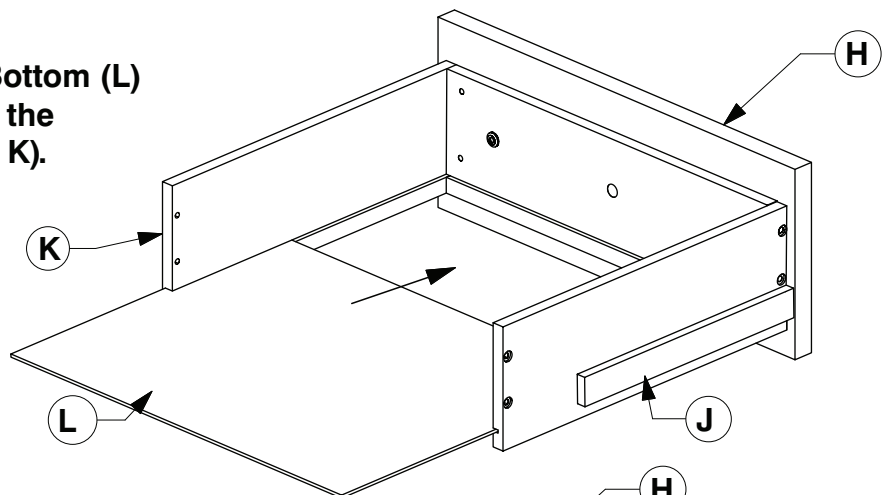
3 Assemble the Drawer Sides (J & K) to the Drawer Face (H).

x2



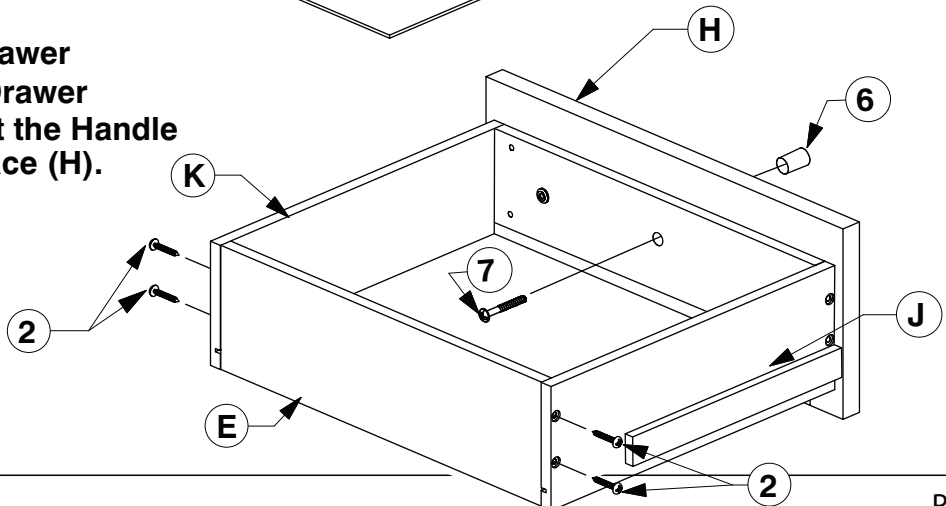
4 Slide the Drawer Bottom (L) into the groove on the Drawer Sides (J & K).

x2



5 Assemble the Drawer Back (E) to the Drawer Sides (J & K). Fit the Handle to the Drawer Face (H).

x2

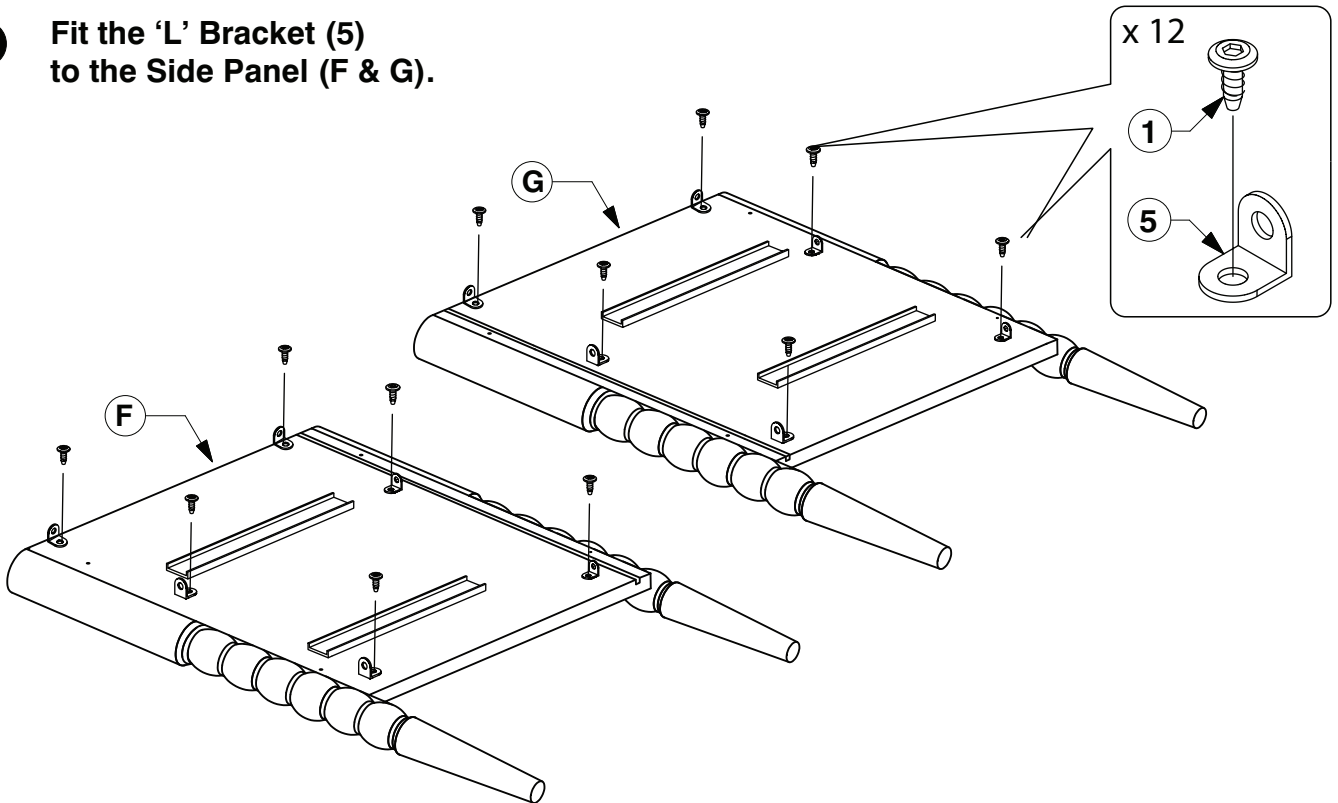


9011 2 Drawer Nightstand

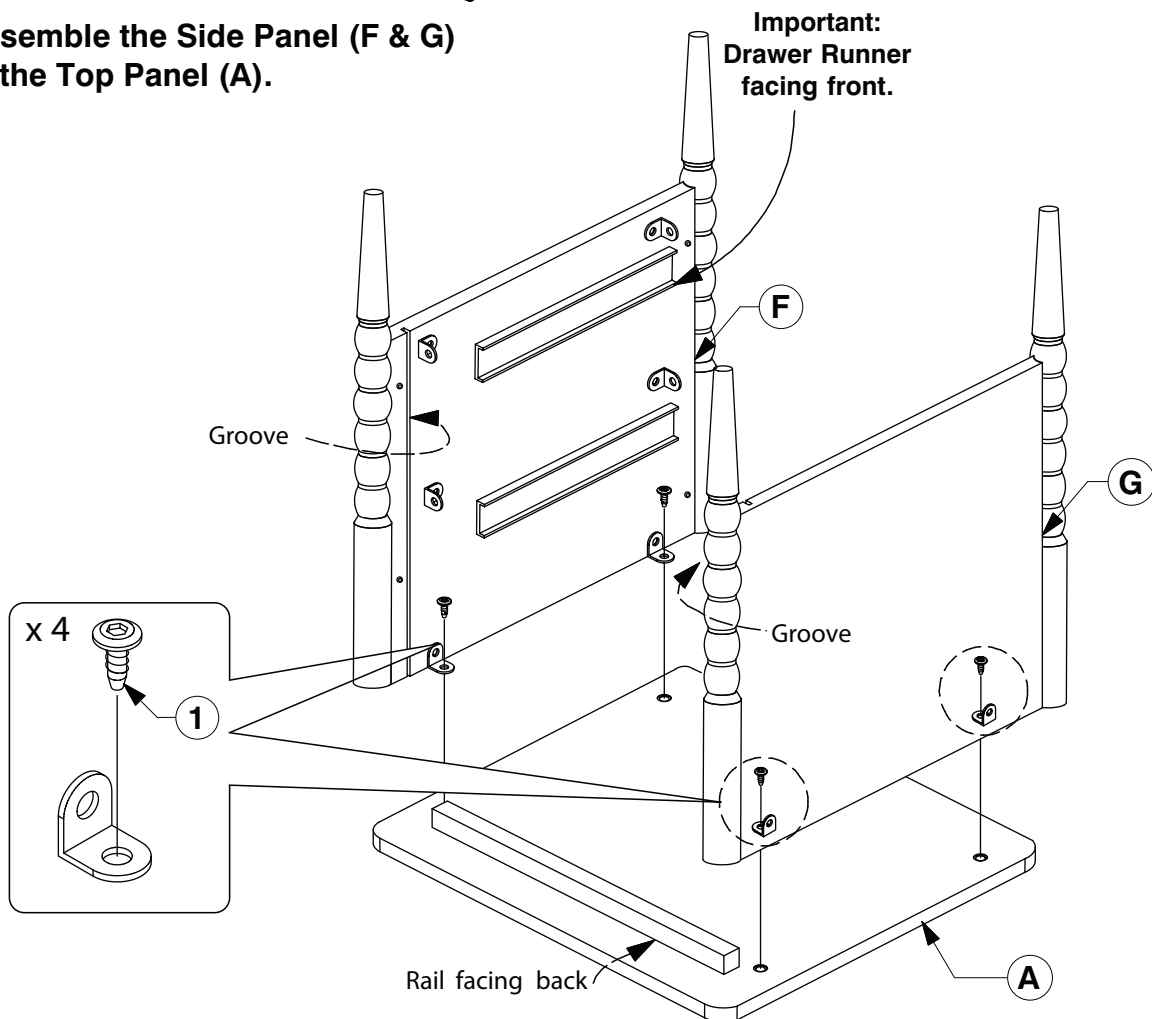
Assembly Instructions

WI-0724

- 6** Fit the 'L' Bracket (5) to the Side Panel (F & G).



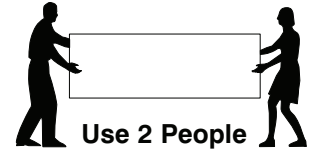
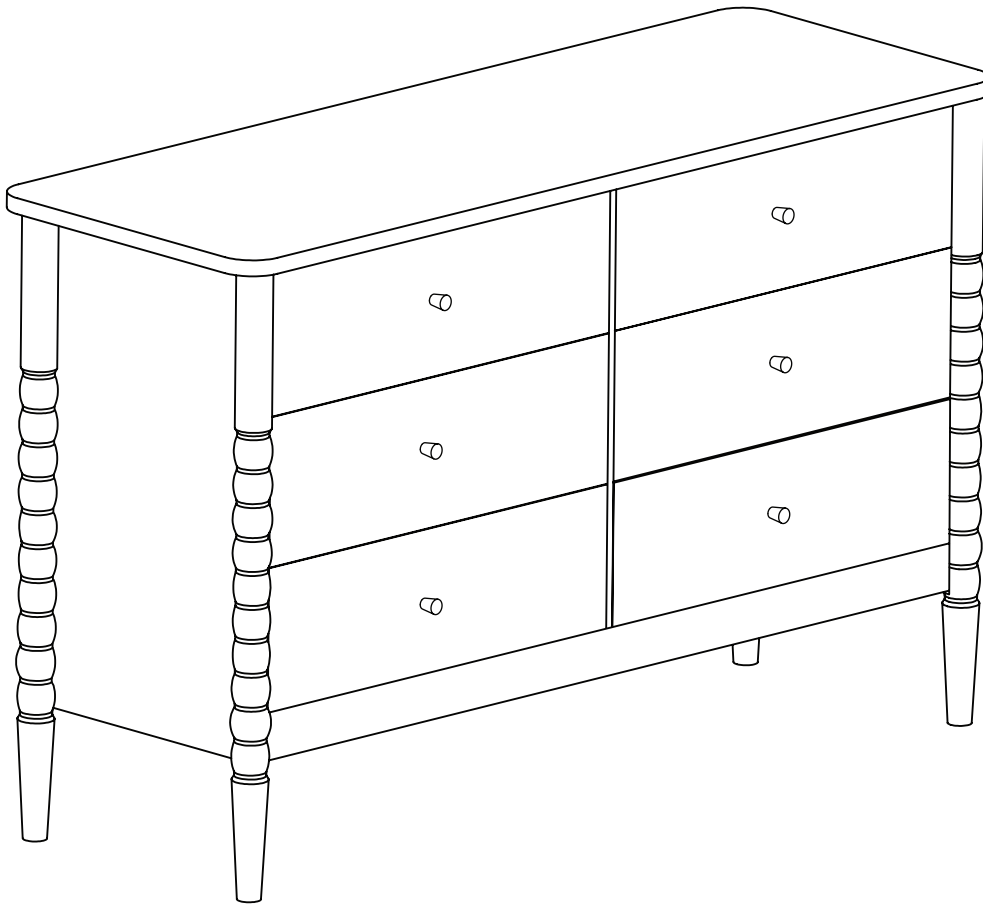
- 7** Assemble the Side Panel (F & G) to the Top Panel (A).



9011 6 Drawer Dresser

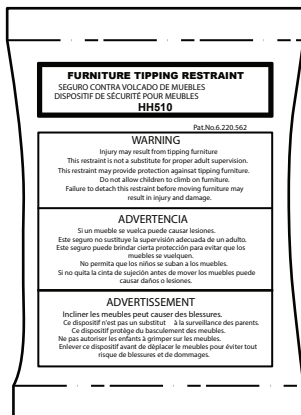
Assembly Instructions

WI-0724



Note: Do not assemble using power tools. This can cause the bolts to be overtightened

WARNING



Anti Tipping Kit
Anti Tipping Kit x 1



Children have died from furniture tipover.

To reduce the risk of furniture tipover:

- ALWAYS install anti-tip device provided.
- NEVER put a TV on this product.
- NEVER allow children to stand, climb, or hang on any drawers, doors or shelves.
- NEVER open more than one drawer at a time.
- DO NOT defeat or remove the drawer interlock system; it is an important stability and safety system.
- Place heaviest items in the lowest drawer.

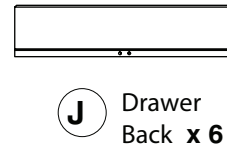
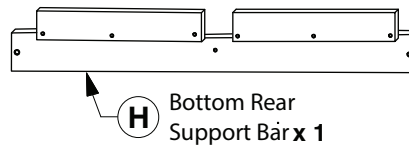
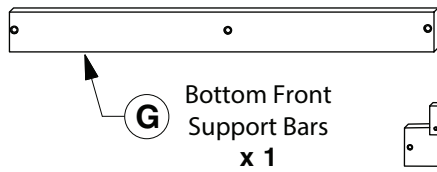
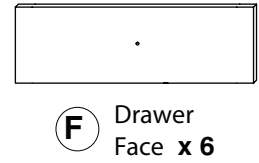
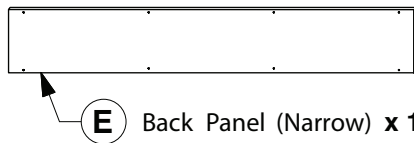
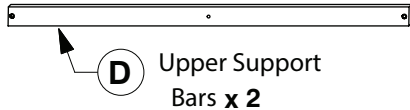
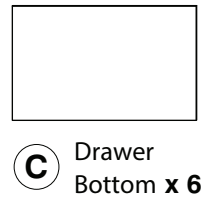
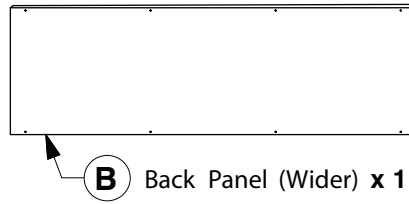
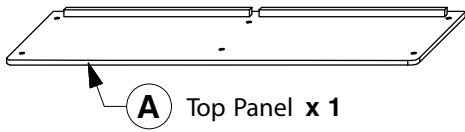
9011 6 Drawer Dresser

Assembly Instructions

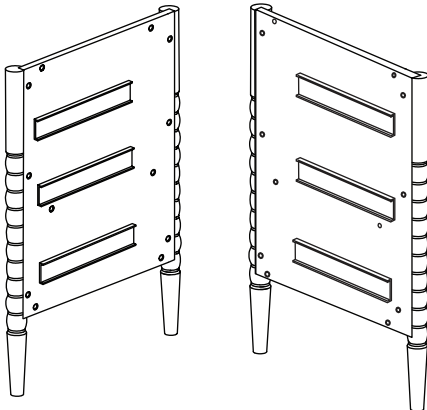
WI-0724

1 Parts List

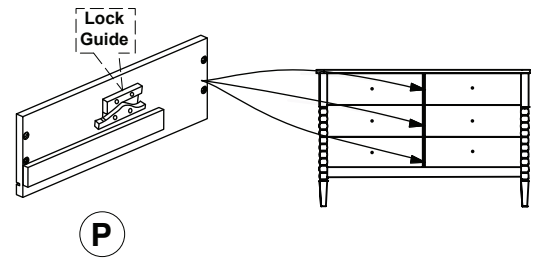
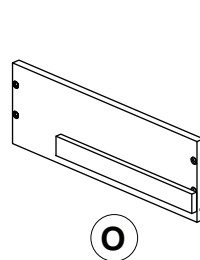
Parts in Box A:



Parts in Box B:



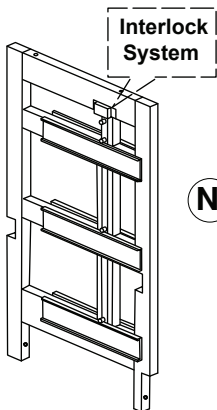
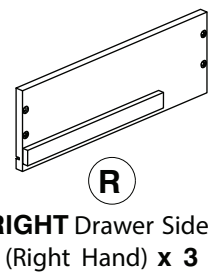
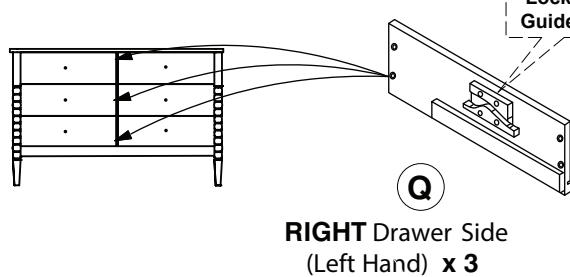
Parts for **LEFT** Side Drawer



L Side Panel (Left Hand) x 1

M Side Panel (Right Hand) x 1

Parts for **RIGHT** Side Drawer

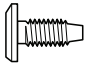
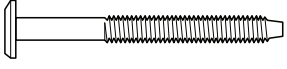

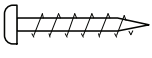
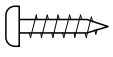
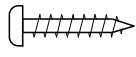



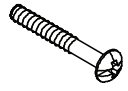



9011 6 Drawer Dresser

Assembly Instructions

WI-0724

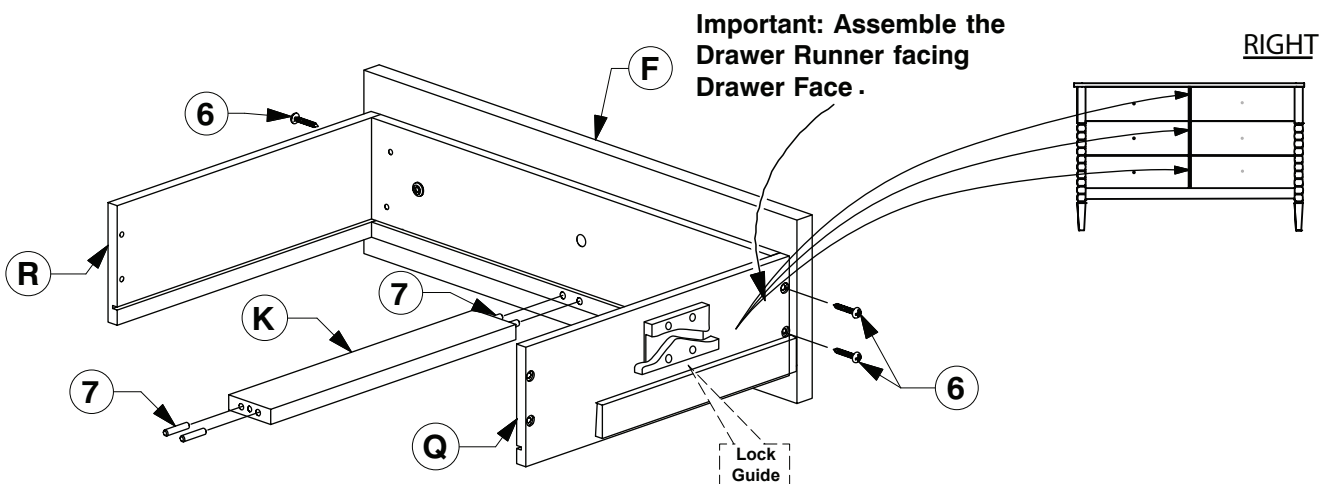
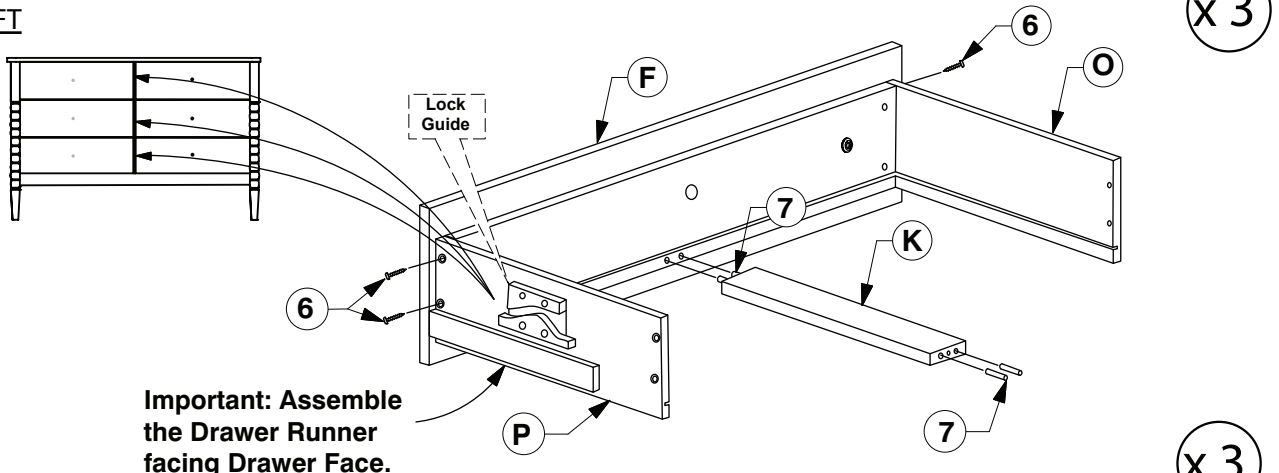
2 Hardware List

- | | | | |
|---|---|---|---|
|  |  |  |  |
| 1 M6 x 15mm JCB x 24 | 2 M6 x 60mm JCB x 2 | 3 M6 x 30mm JCB x 4 | 4 Wood Screw (M4 x 32mm) x 16 |
|  |  |  |  |
| 5 Wood Screw (M4 x 20mm) x 24 | 6 Wood Screw (M4 x 25mm) x 60 | 7 M6 x 25mm Wood Dowel x 24 | 8 'L' Bracket (5005-3) x 12 |
|  |  |  | |
| 9 Handle (1005) x 6 | 10 M4 x 20mm Wood Screw x 6 | 11 Allen Key x 1 | |

3 Assemble the Drawers.

STEP 3.1

LEFT



9011 6 Drawer Dresser

Assembly Instructions

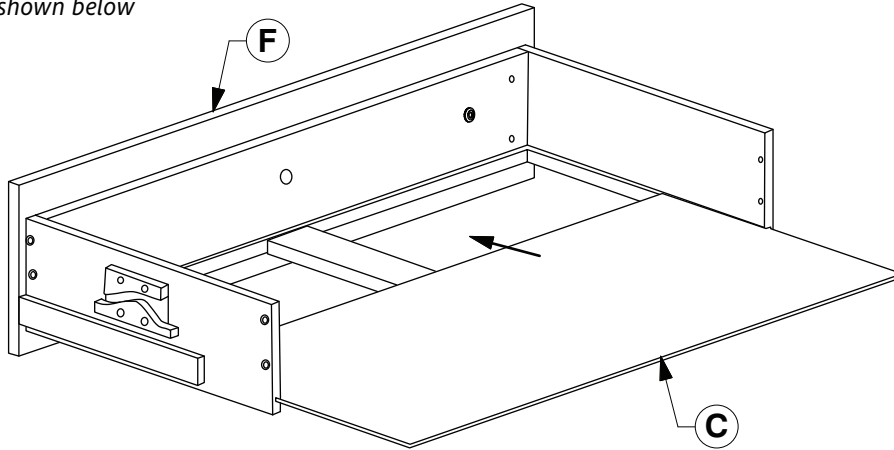
WI-0924

3 Assemble the Drawers.

STEP 3.2

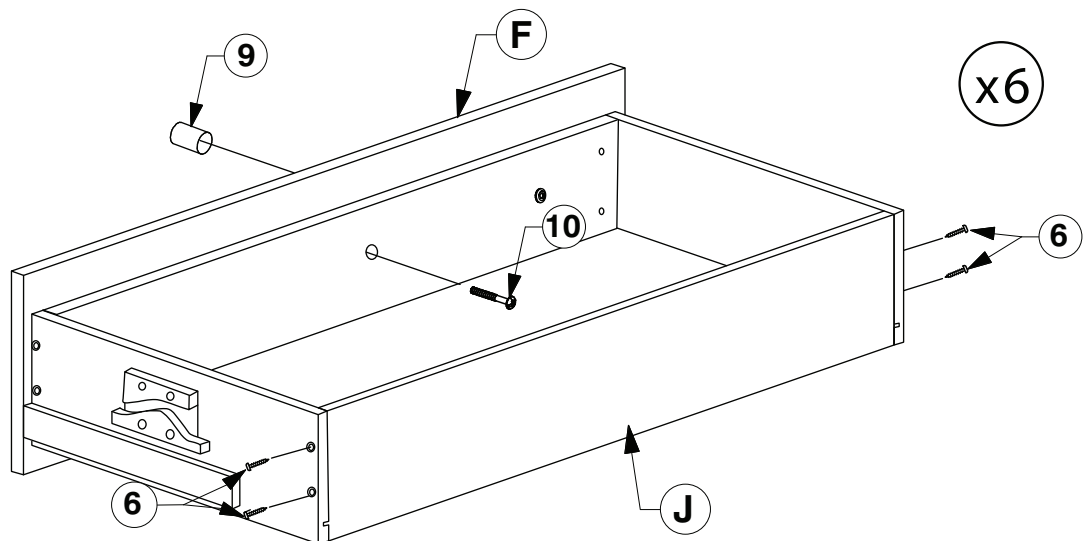
x6

* 3 Assemble the left and right drawers as shown below



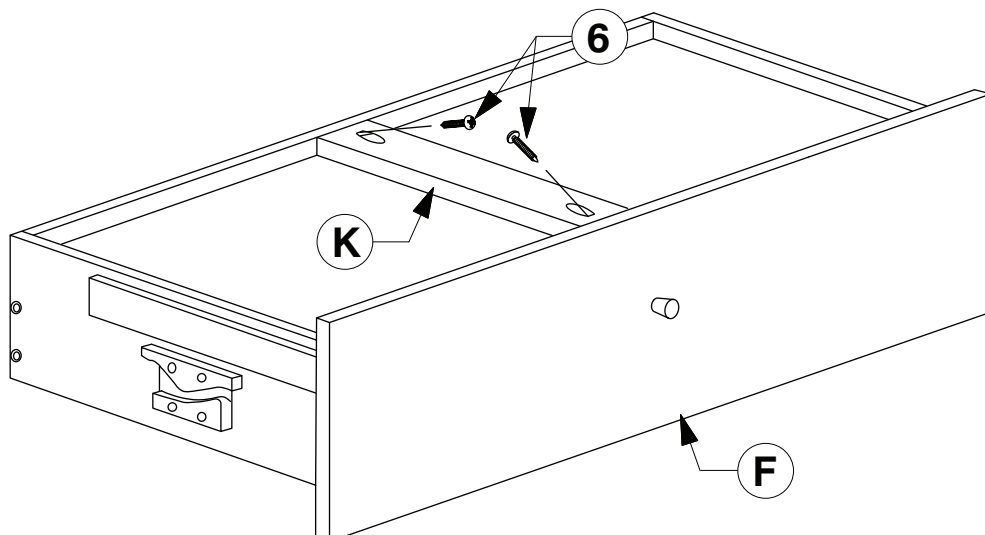
STEP 3.3

x6



STEP 3.4

x6

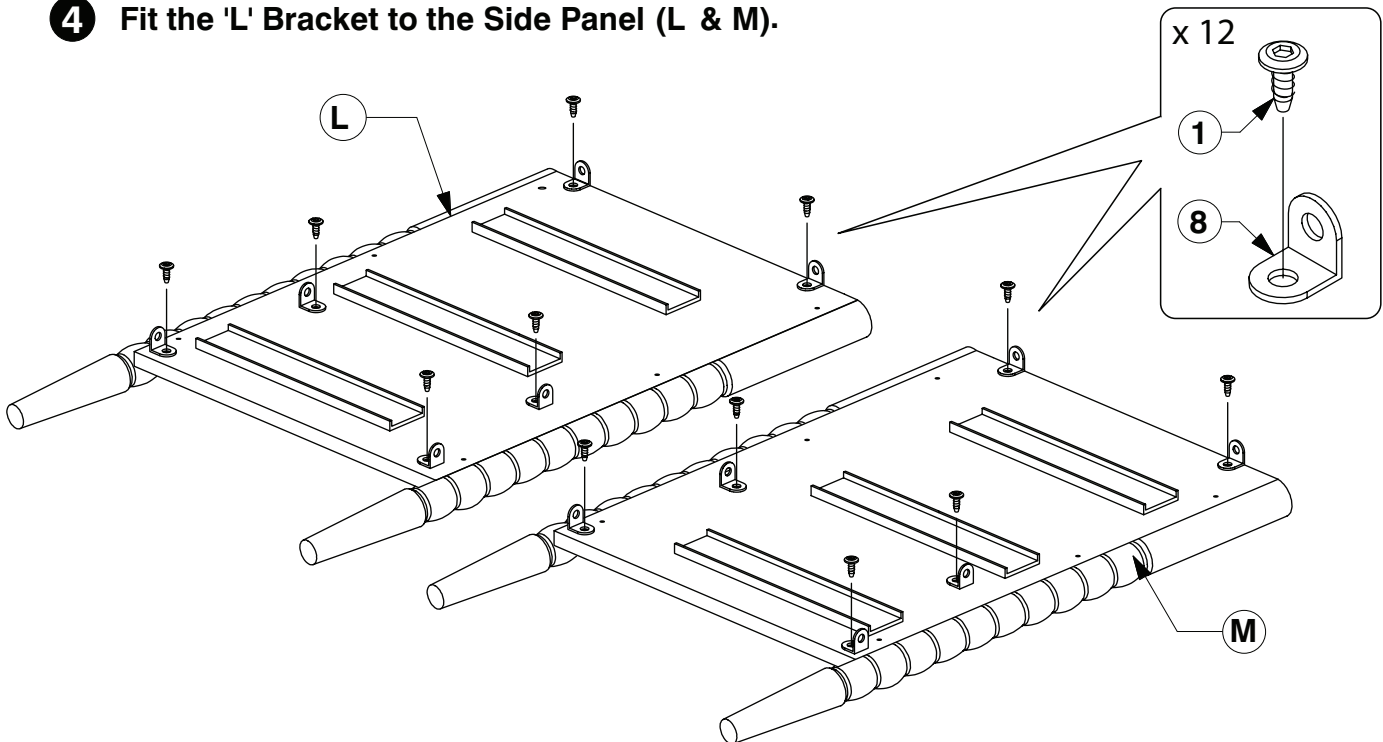


9011 6 Drawer Dresser

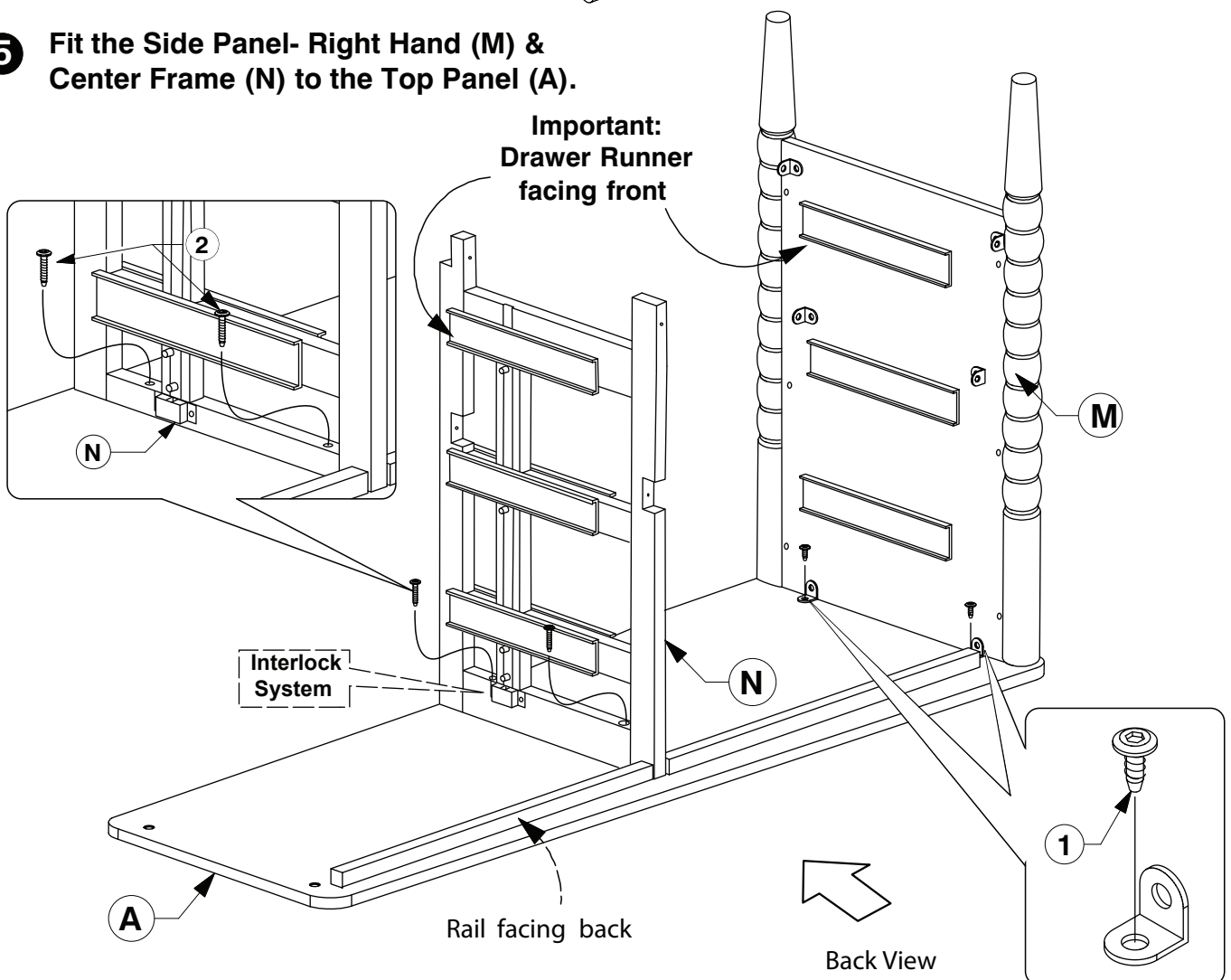
Assembly Instructions

WI-0724

4 Fit the 'L' Bracket to the Side Panel (L & M).



5 Fit the Side Panel- Right Hand (M) & Center Frame (N) to the Top Panel (A).

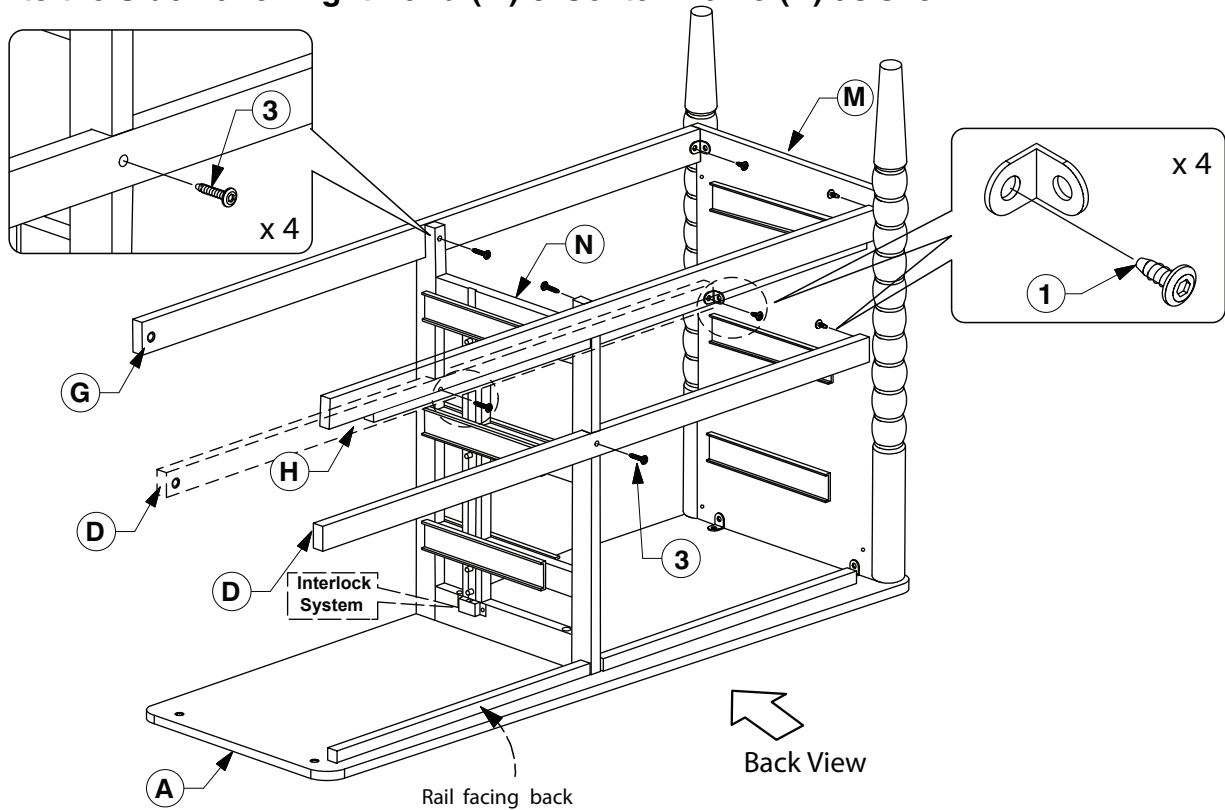


9011 6 Drawer Dresser

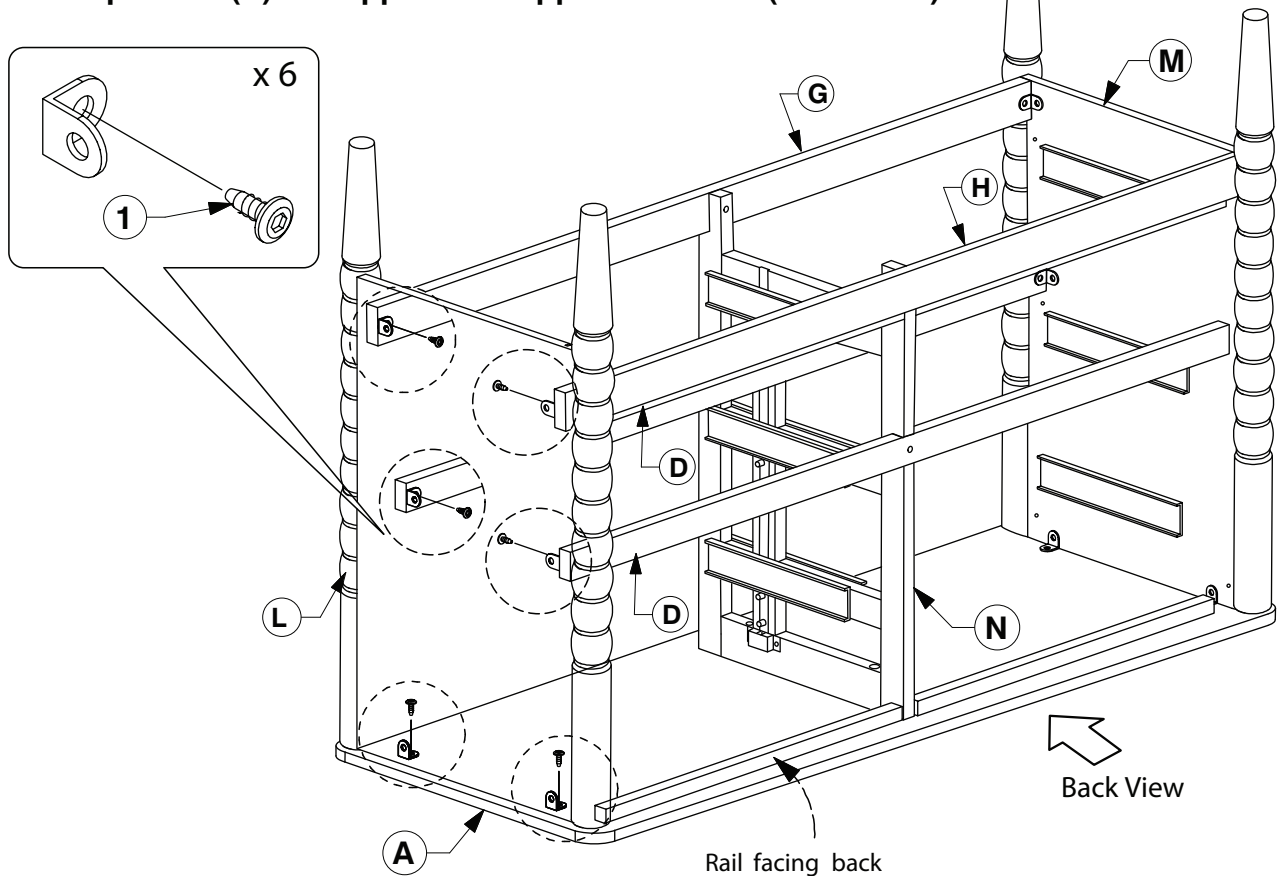
Assembly Instructions

WI-0724

- 6** Fit the Upper Support Bar (D) and Bottom Front & Rear Support Bars (G & H) to the Side Panel-Right Hand (M) & Center Frame (N) as shown.



- 7** Fit the other side of Side Panel- Left Hand (L) to the Top Panel (A) & Support Bar Upper & Bottom (D & G & H).

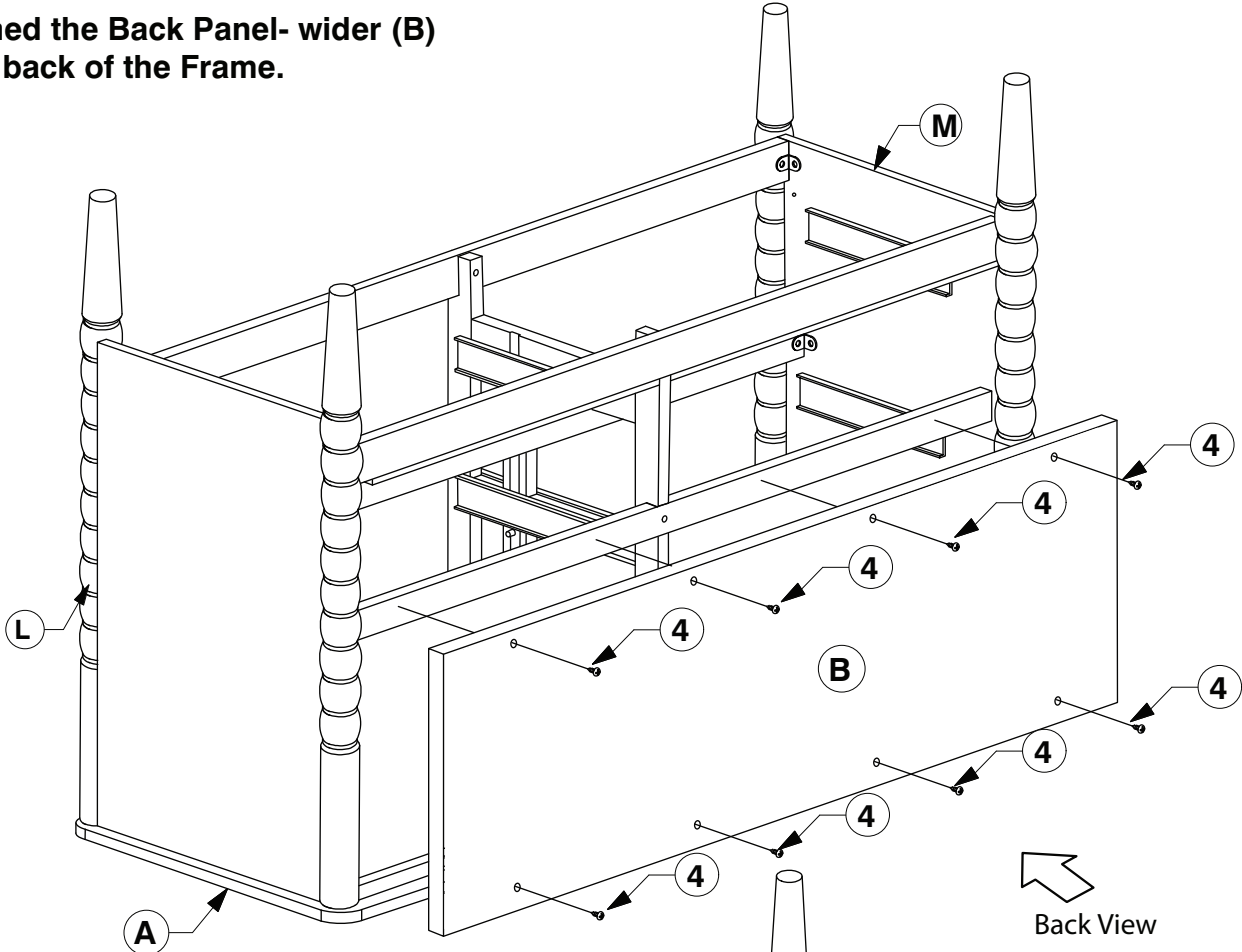


9011 6 Drawer Dresser

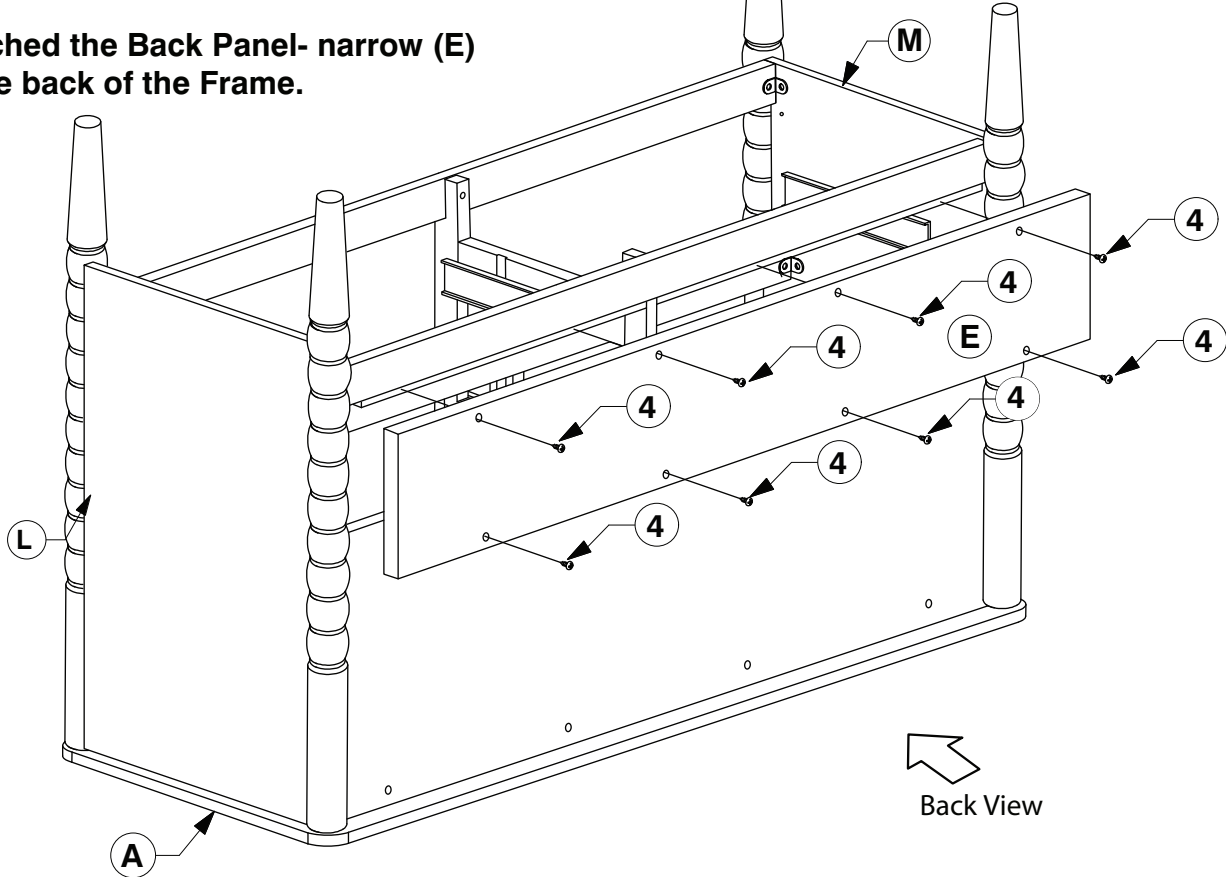
Assembly Instructions

WI-0724

8 Attached the Back Panel- wider (B) to the back of the Frame.



9 Attached the Back Panel- narrow (E) to the back of the Frame.



9011 6 Drawer Dresser

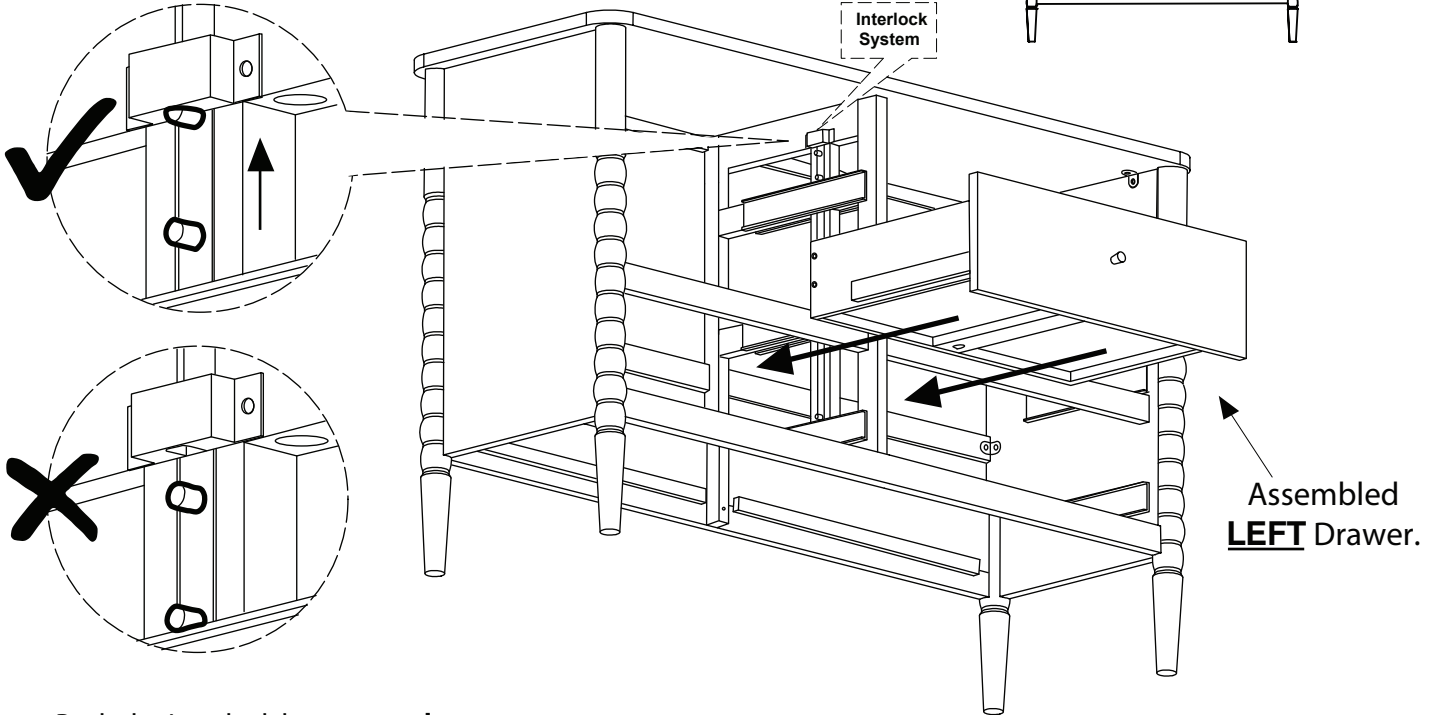
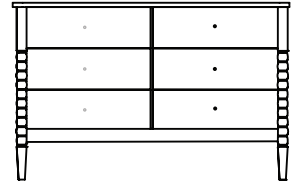
Assembly Instructions

WI-0924

10 Install the Drawers.

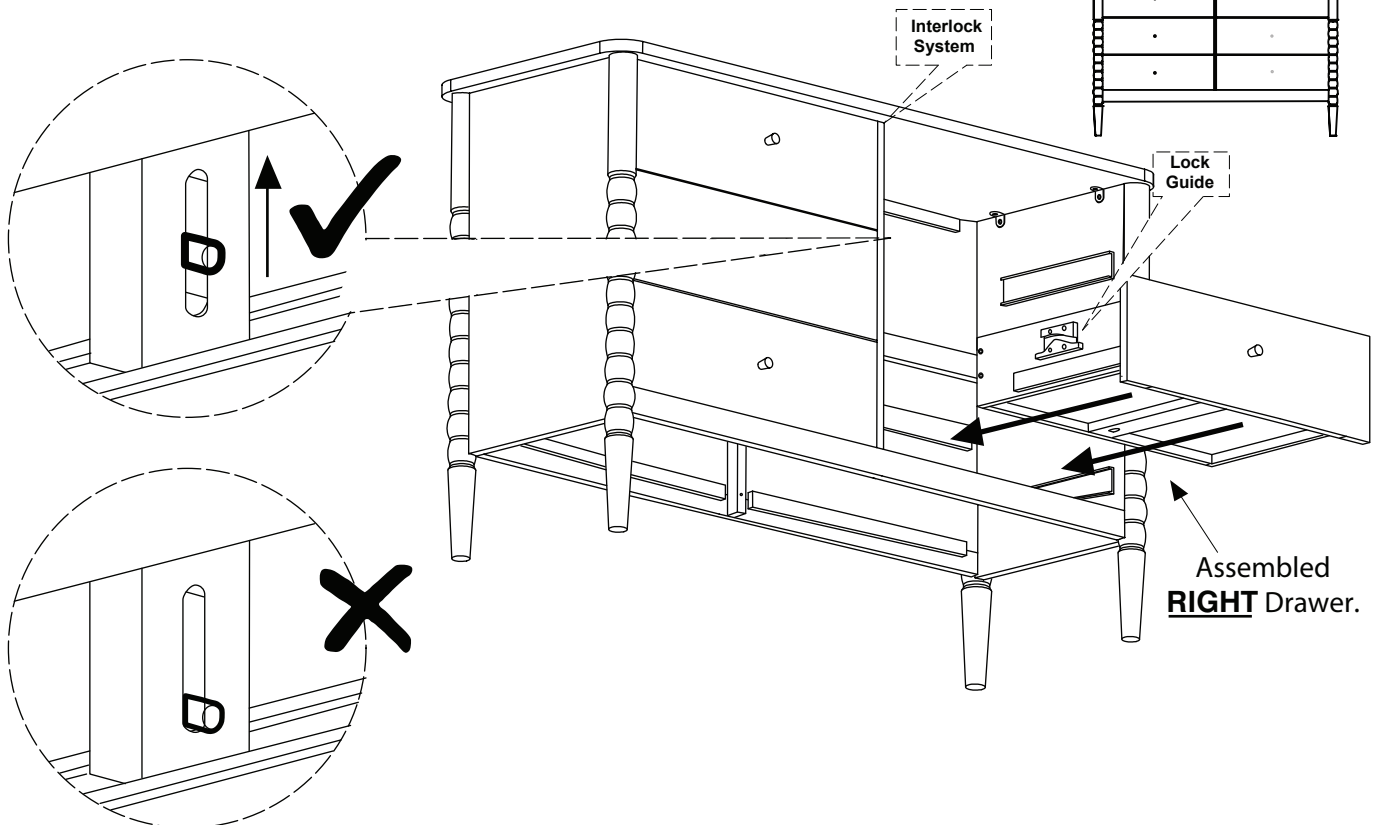
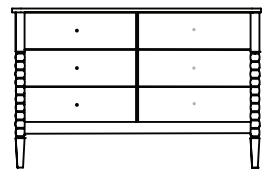
- Push the Interlock bar **upwards** before inserting the drawers.

LEFT



- Push the Interlock bar **upwards** before inserting the drawers.

RIGHT



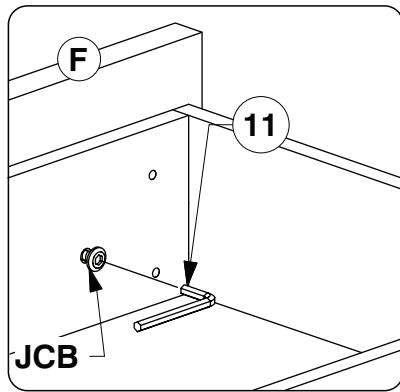
9011 6 Drawer Dresser

Assembly Instructions

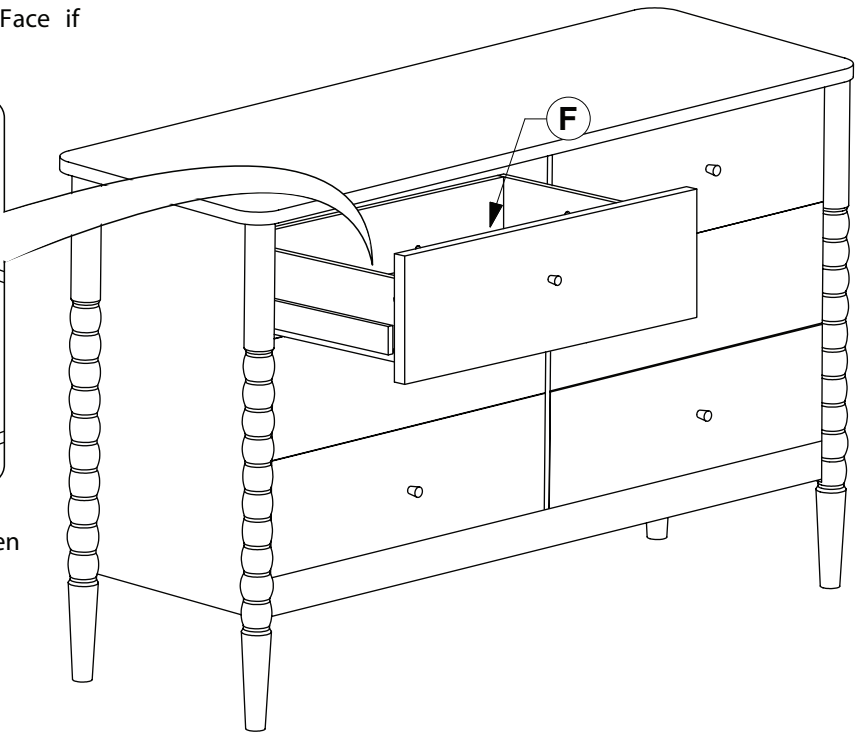
WI-0924

11 Adjust the Drawer Face (F).

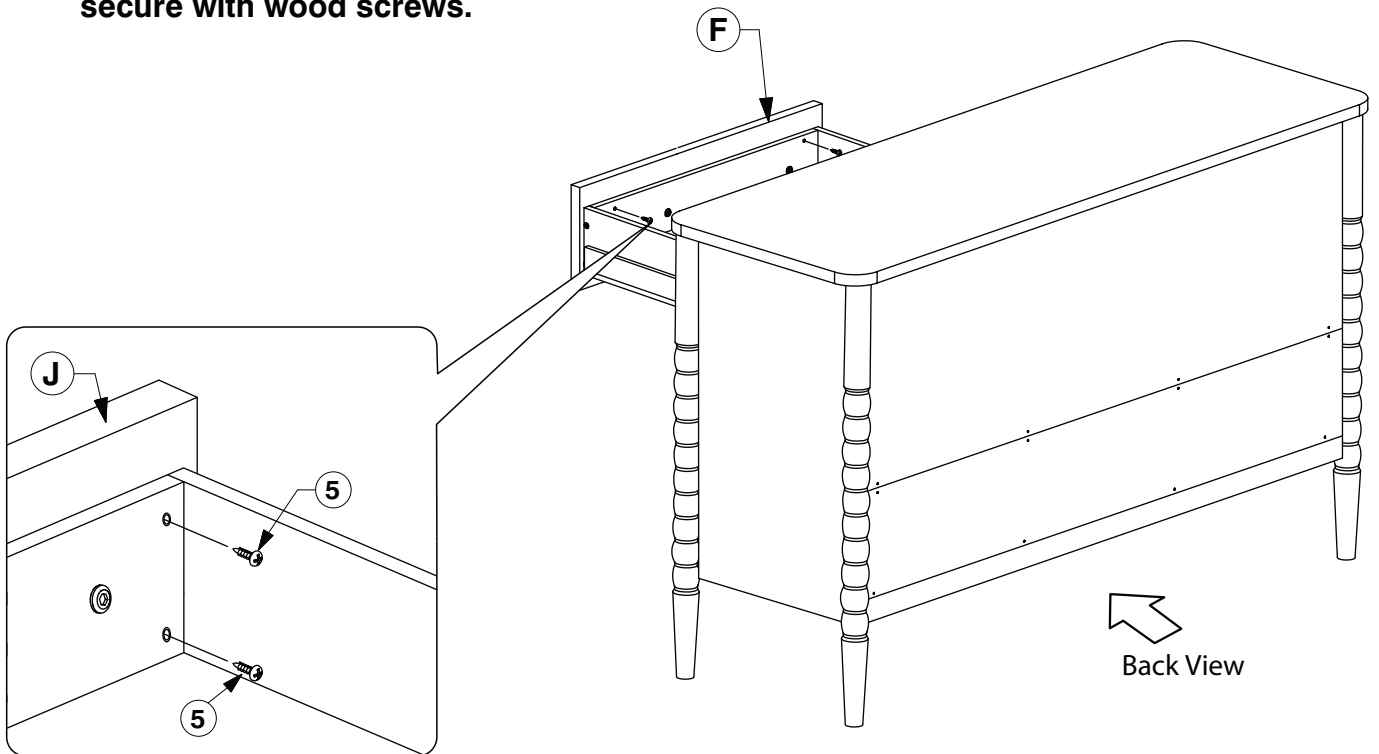
- * NOTE: Before fitting the Wood Screws .
Losen the JCBs on the Drawer Face if
the face needs alignment.



- * NOTE: Only one Drawer can be open
at a time.



12 After the Drawer Faces (F) are aligned, secure with wood screws.



Back View

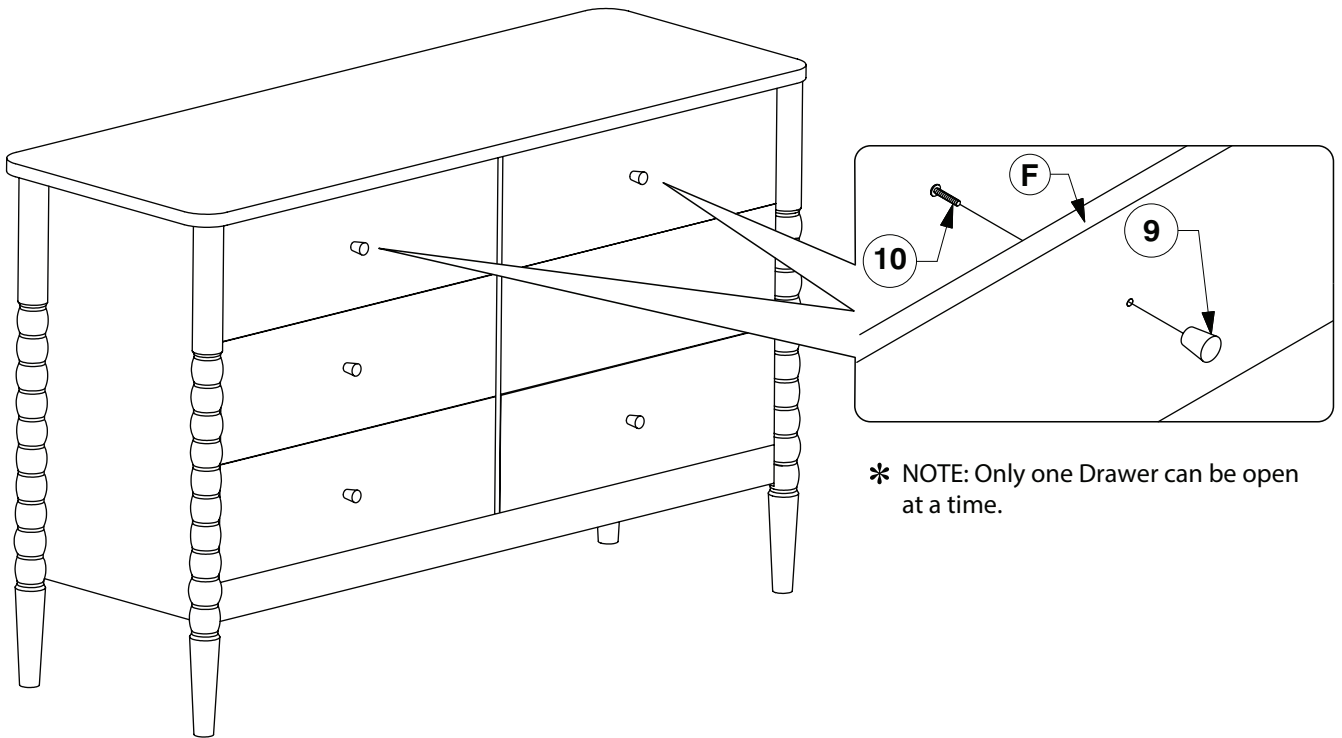
- * NOTE: Only one Drawer can be open
at a time.

9011 6 Drawer Dresser

Assembly Instructions

WI-0924

13 Finally, fit the Handle to the Drawer Face (F).



* NOTE: Only one Drawer can be open at a time.

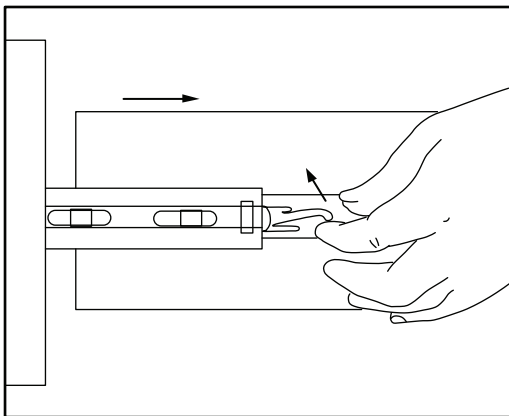
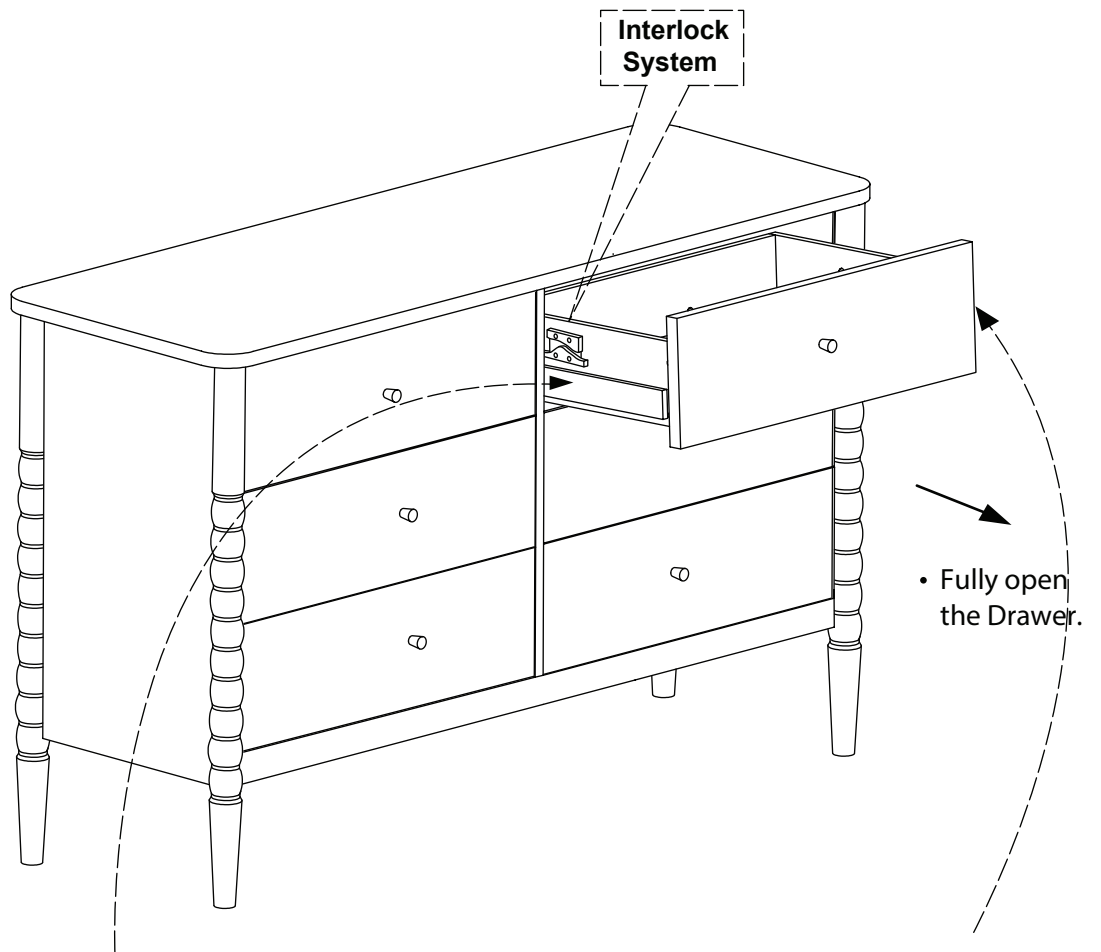
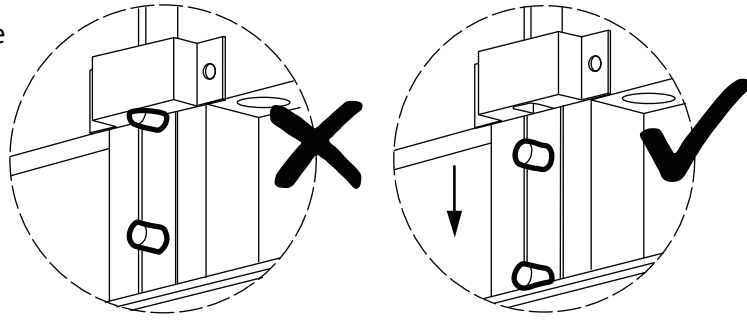
9011 6 Drawer Dresser

Assembly Instructions

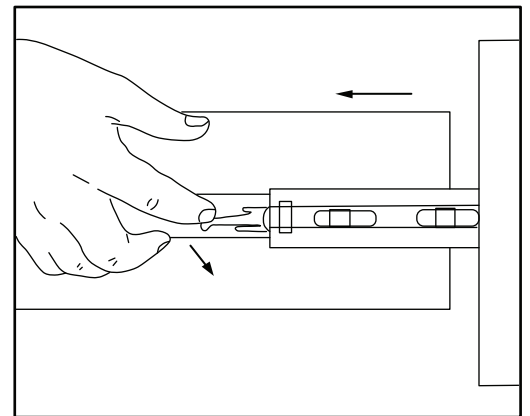
WI-0924

14 Remove the Drawers.

- After removing the top drawer, push the interlock bar **down**. Then remove the lower drawers.



- Lift the **LEFT** side clip up.



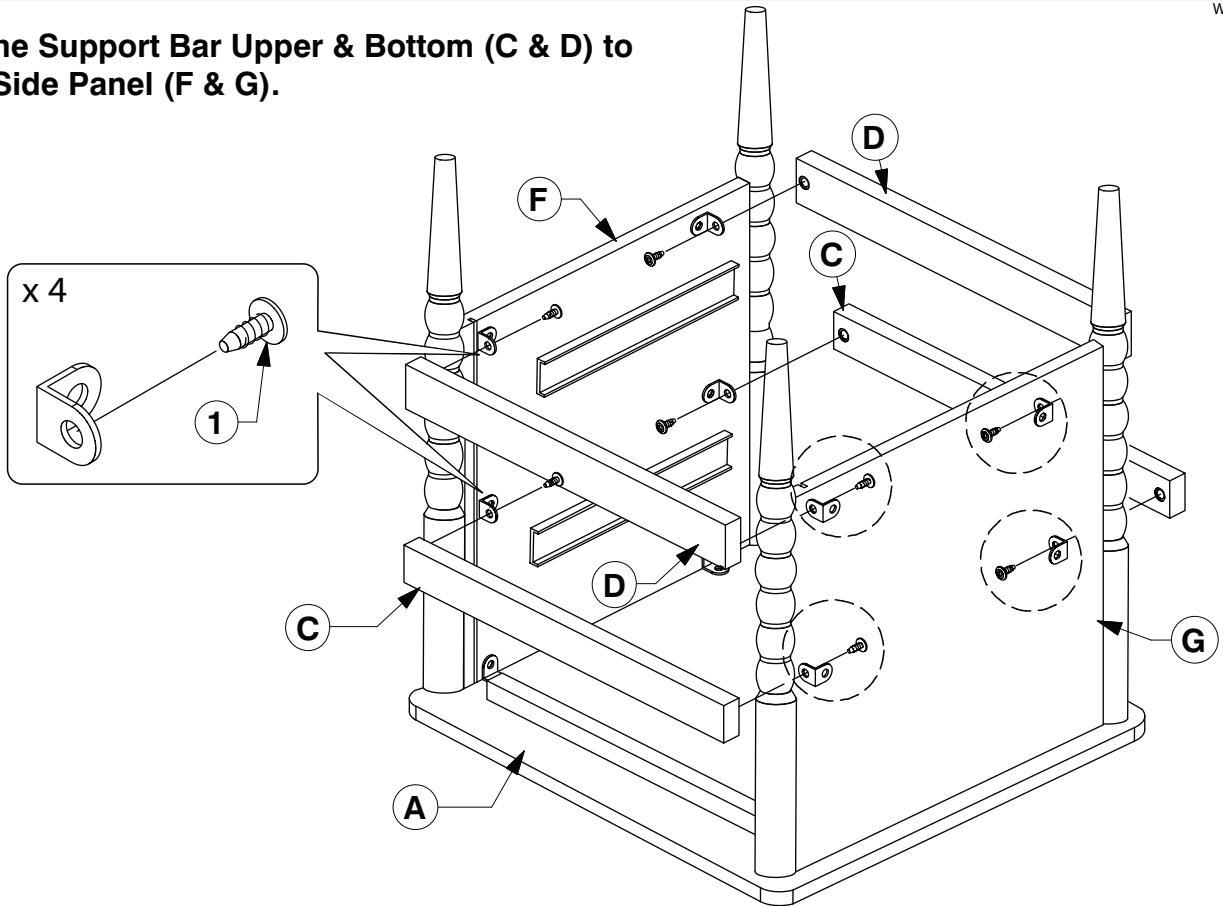
- Push the **RIGHT** side clip down.

9011 2 Drawer Nightstand

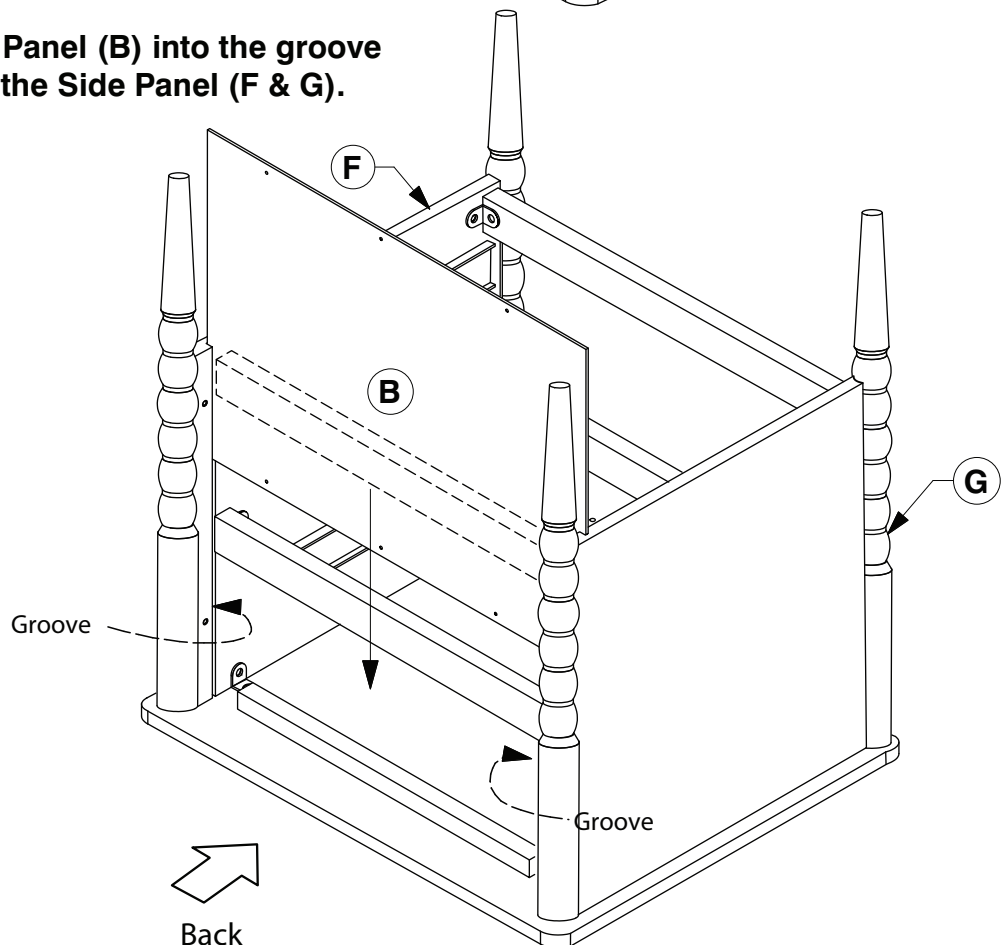
Assembly Instructions

WI-0724

- 8** Fit the Support Bar Upper & Bottom (C & D) to the Side Panel (F & G).



- 9** Slide the Back Panel (B) into the groove on the back of the Side Panel (F & G).

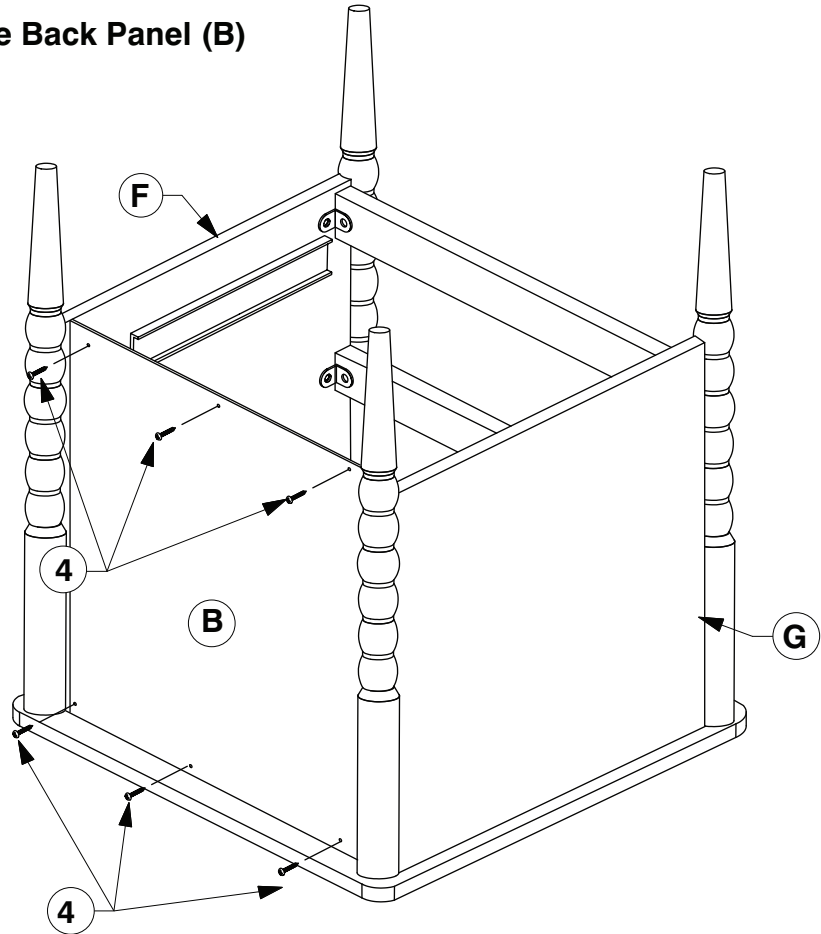


9011 2 Drawer Nightstand

Assembly Instructions

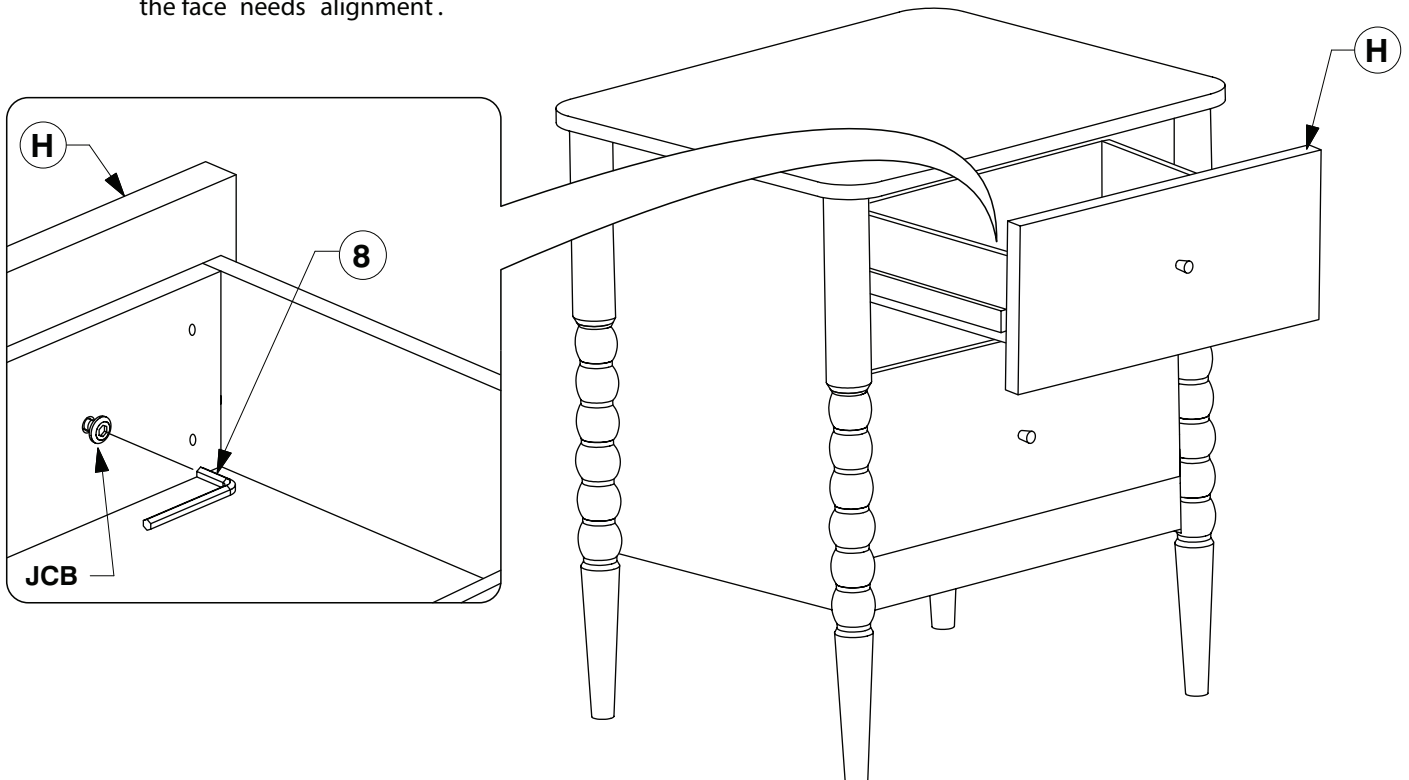
WI-0724

- 10** Use Screw to tighten the Back Panel (B) to the back of frame.



- 11** Fit and adjust the Drawer Face (H).

* NOTE: Before fitting the Wood Screws .
Losen the JCBs on the Drawer Face if the face needs alignment.



9011 2 Drawer Nightstand

Assembly Instructions

WI-0924

12 After the Drawer Faces (H) are aligned, secure with wood screws.

